

OVERFLOW TRUCK

TAC 10500 D 2,8/3,0 BOLA C/FREIO

Code: 0501099107
Series: 0524
Revision: 00
Revision Date: MAY/2026

PARTS CATALOGUE


CIVEMASA

PRODUCTS

Code	Working Width	Description
0120420387		TAC 10500 D 2,8/3,0 BOLA C/FREIO VEP EXP S-0524

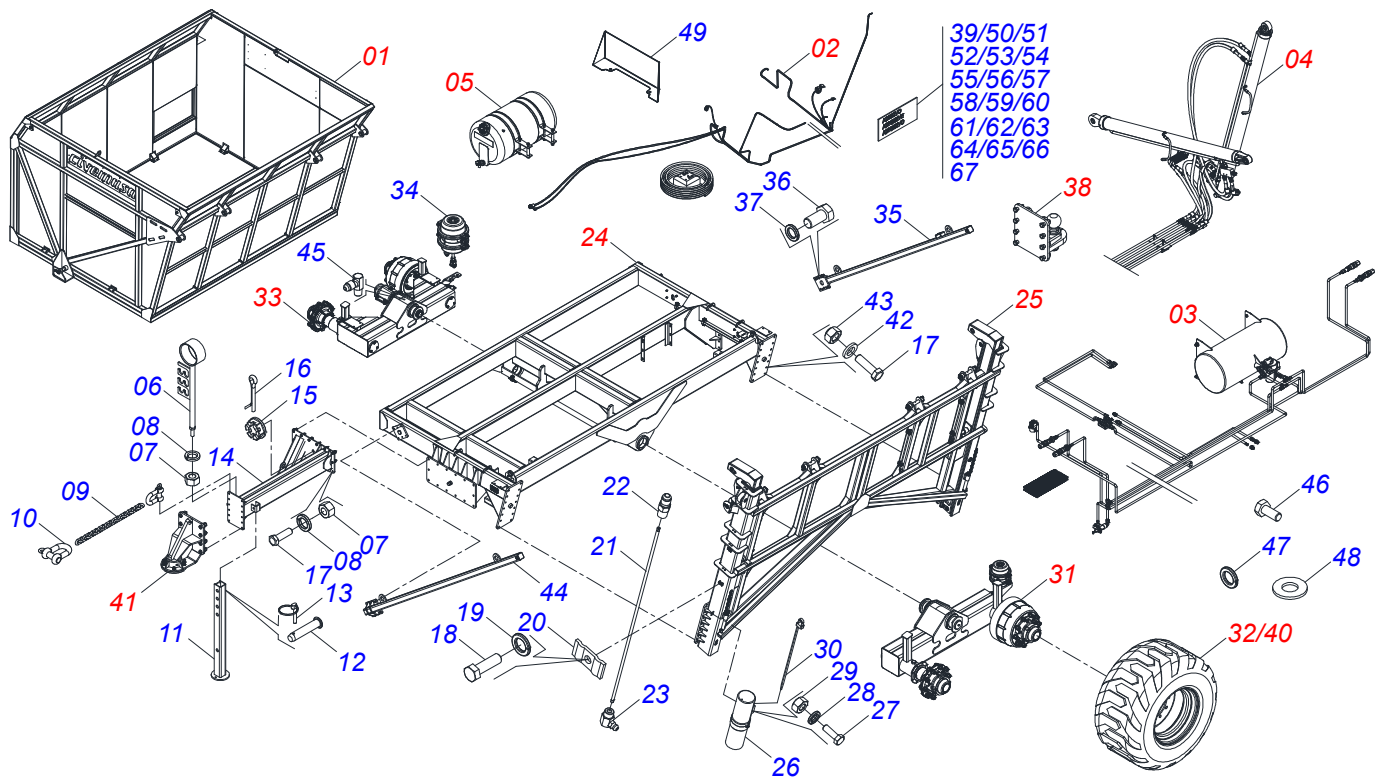
ATTENTION: IMPORTANT

CIVEMASA reserves the right to improve and/or modify the technical features of its products, without obligation to do the same with those products already sold and without prior knowledge of the dealer or the customer. The photos are only illustrative.



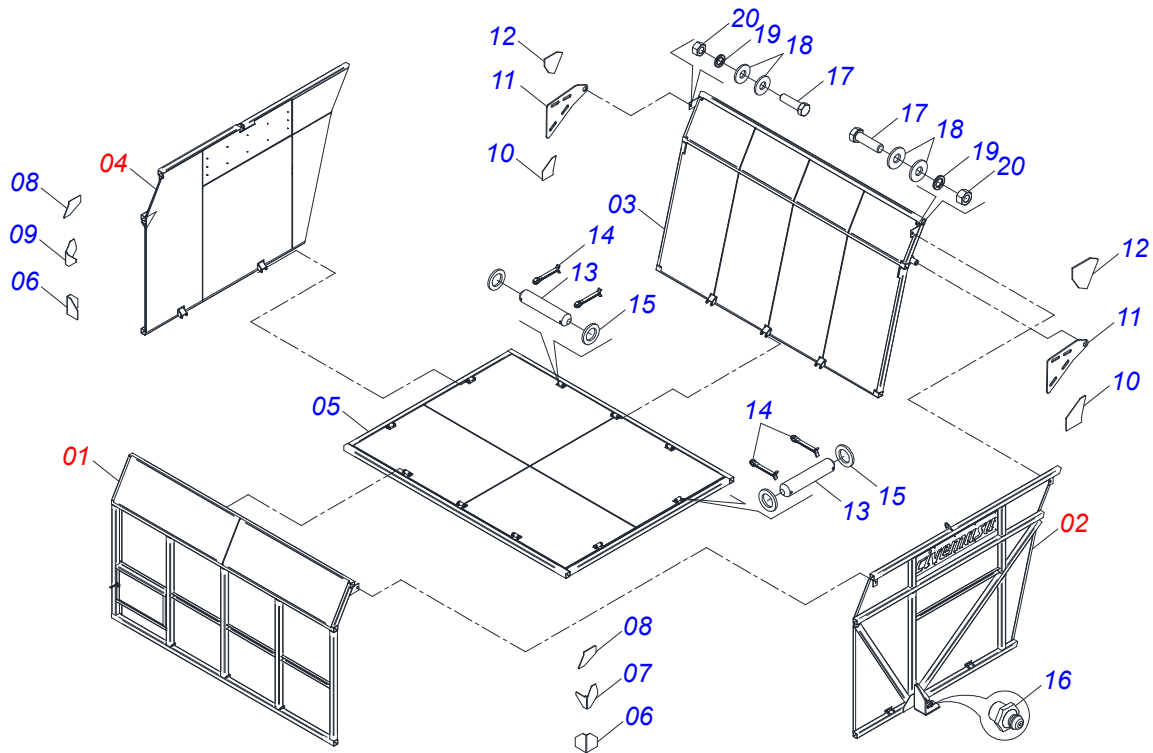
INDEX

0909097535	ASSY FRAME	1
0909097530	SKEP ASSY	2
0541055419	SIDE SEMI MOUNTED BASKET	3
0541055433	FRONT SEMI MOUNTED SKEP	4
0541055434	REAR SKEP SEMI MOUNTED	5
0909097491	ELECTRICAL SYSTEM	6
0909097534	PNEUMATIC SYSTEM	7
0909097531	HYDRAULIC SYSTEM	8
0531051603	LIFTING CYLINDER 76.2 X 101.6 X 2260 X 2010	9
0531051778	TIP CYLINDER 76.2 X 101.6 X 2100 X 1640	10
0521050201	QUICK COUPLING	11
0521052222	QUICK COUPLING	12
0501059638	HYDRAULIC VALVE EL/PN ASSY	13
0501053835	FEMALE QUICK COUPLER	14
0541057322	HOSE KIT	15
0501053834	MALE QUICK COUPLER	16
0521054629	25/26L WATER TANK	17
0541055416	SEMI MOUNTED FRAME BASE	18
0541055019	FLASHLIGHT SUPPORT	19
0541055417	GUIDE FRAME WITH SEMI MOUNTED LIFTING	20
0511047914	LIFT ASSY	21
0521044694	LEFT ROCKER ARM	22
0521050366	LEFT AND RIGHT BALANCE SHEET	23
0511045858	WHEEL HUB ASSY WITH BRAKE	24
0541057288	LEFT WHEEL	25
0521044693	SEMI MOUNTED RIGHT REGULATOR ROCKER	26
0521050367	ADJUSTABLE ROCKER 200MM	27
0511048317	HITCH BALL REAR	28
0503061865	WHEELS AND TIRE	29
0511048316	HITCH BALL FRONT	30

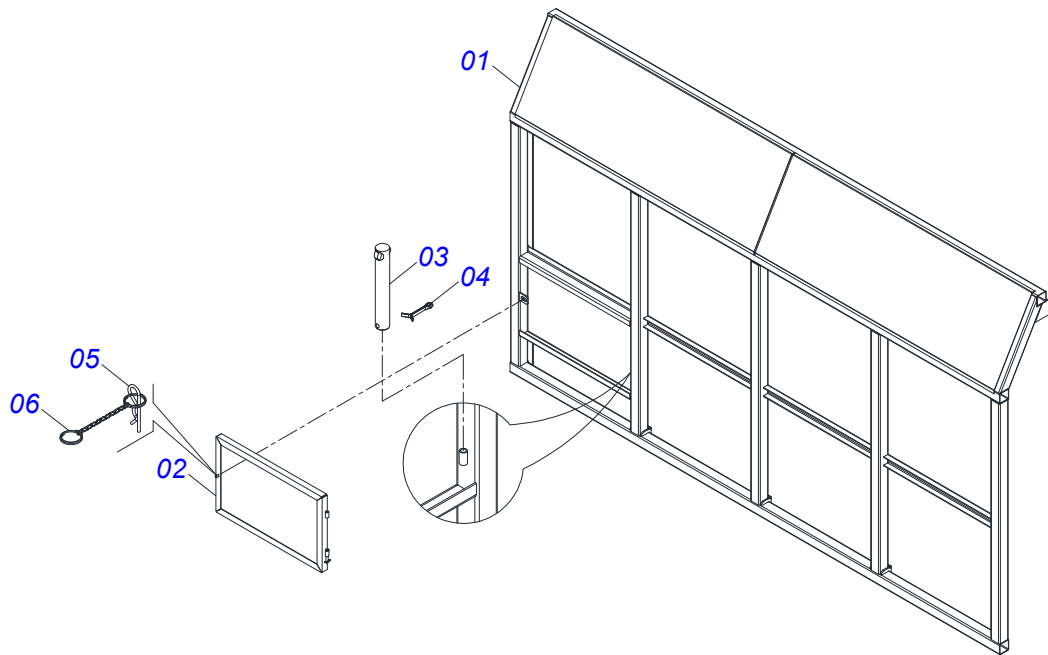


Item	Code	Description	See page	QT
01		SKEP ASSY	2	
02		ELECTRICAL SYSTEM	6	
03		PNEUMATIC SYSTEM	7	
04		HYDRAULIC SYSTEM	8	
05	0521054629	25/26L WATER TANK	17	01
06	0521061379	HOSE HOLDER		01
07	0503010014	HEX NUT 3/4" ZN G.5 (HEAVY) UNC		14
08	0503010023	SPRING WASHER 3/4"		14
09	0503014120	CHAIN		01
10	0503014321	CABLE STEEL SHACKLE		02
11	0521061378	STRUT		01
12	0521810580	COUPLING SHAFT		01
13	0503030085	LOCK PIN		01
14	0521061349	HEADER		01
15	0501011301	1.1/2" UNC 6FPP 2.5/16" NUT		01
16	0503010010	1/4" X 2.1/2" SPLIT PIN		01
17	0501010125	3/4" X 2-1/2" BOLT		28
18	0503010751	C3/8" X 1.1/4" HEX BOLT G.5		04
19	0503010025	SPRING WASHER 3/8"		04
20	0531011180	SUPPORT		04
21	0511068779	GREASE TUBE GUIDE		04
22	0503012776	1/8" NF NIPPLE		04
23	0503010004	1890 GREASE FITTING		04
24	0541055416	SEMI MOUNTED FRAME BASE	18	01
25	0541055417	GUIDE FRAME WITH SEMI MOUNTED LIFTING	20	01
26	0503060100	SUPPORT INSTRUCTION MANUAL		01
27	0503010371	5/16" X 1" BOLT		01
28	0503010179	LOCK WASHER 5/16 ZN 1K01528		01
29	0503010337	NUT 5/16 UNC G.5 ZN		01
30	0503010267	NYLON CLAMP 3.60 X 1.3 X 155 MM		01
31	0521044694	LEFT ROCKER ARM	22	01
32	0541057288	LEFT WHEEL	25	02

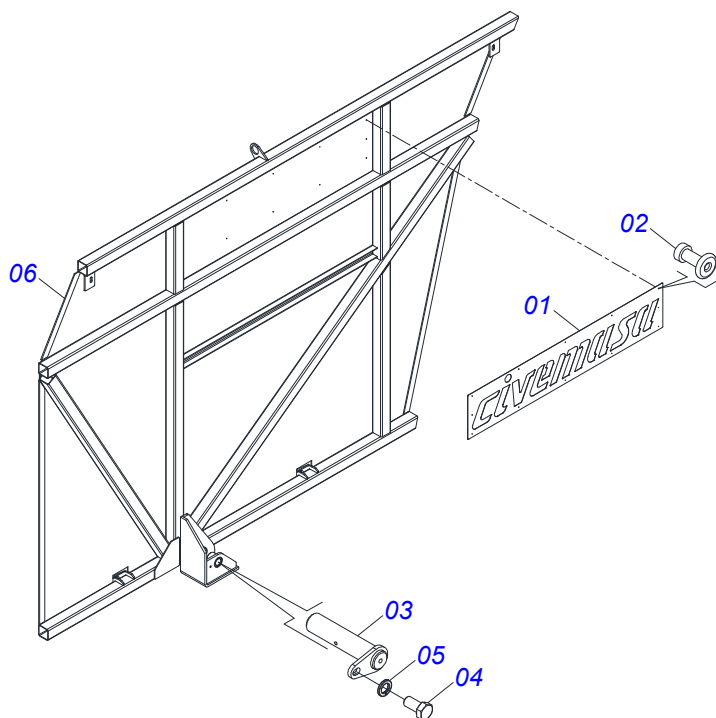
Item	Code	Description	See page	QT
33	0521044693	SEMI MOUNTED RIGHT REGULATOR ROCKER	26	01
34	0503014056	SPRING BRAKE TUBE		01
35	0531069325	REAR TRANSPORT BAR		01
36	0503013027	5/8" X 1-1/4" BOLT		12
37	0503010027	SPRING WASHER 5/8"		12
38	0511048317	HITCH BALL REAR	28	01
39	0503032818	ATTENTION SAFETY DECAL		02
40	0503061865	WHEELS AND TIRE	29	01
41	0511048316	HITCH BALL FRONT	30	01
42	0511015255	FLAT WASHER		28
43	0503011255	3/4" LOCK NUT		28
44	0531069336	FRONT ANGLE BAR		01
45	0503012777	90G ELBOW		01
46	0503011338	BOLT 7/16" UNC X 1" CS G.5 ZN		04
47	0503010180	SPRING WASHER 7/16"		04
48	0501010694	FLAT WASHER 8.50 X 18 X 1.50 ZN		01
49	0581014621	REAR PANEL PROTECTION		01
50	0503033647	APPROVED DECAL		01
51	0503031942	MANUAL SEAL DECAL		01
52	0503013229	REFLECTIVE SIDE BAND		14
53	0503031739	DANGER DECAL		02
54	0503032930	DANGER DECAL		04
55	0503034078	LIFTING POINTS DECAL		04
56	0503034187	LOGO CIVEMASA 830 X 140 EMBLEM		01
57	0503032817	DANGER SAFETY DECAL		02
58	0503034433	LOCK SECURITY DECAL		02
59	0503035495	COLOR HANDLE ADHESIVE LABEL		01
60	0503034188	EMBLEM TAC 10500 890 X 150		02
61	0503034189	CIVEMASA LOGO EMBLEM 890 X 150		02
62	0503034247	LUBRICATION POINT DECAL		13
63	0503034186	EMBLEM TAC 10500 830 X 140		01
64	0503032526	STATIONARY BRAKE VALVE DECAL		01
65	0503031827	DAILY LUBRICATION AND RETIGHTENING DECAL		02
66	0503031428	ATTENTION READ MANUAL DECAL		01
67	0503037334	BADGE TAC 10500		01



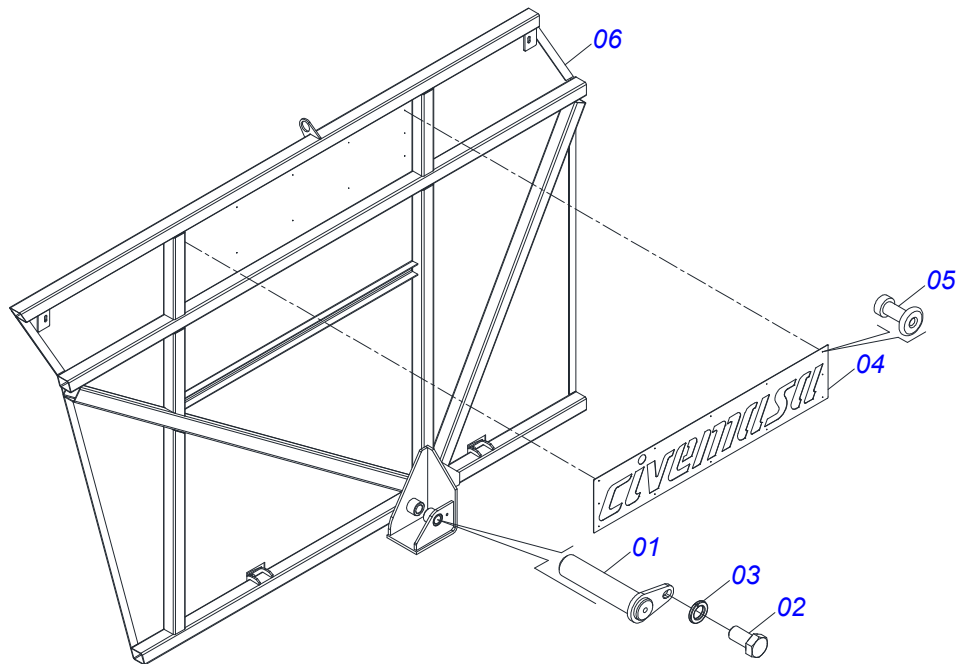
Item	Code	Description	See page	QT
01	0541055419	SIDE SEMI MOUNTED BASKET	3	01
02	0541055433	FRONT SEMI MOUNTED SKEP	4	01
03	0521065238	BASKET SLIDE WITH PLATE		01
04	0541055434	REAR SKEP SEMI MOUNTED	5	01
05	0521065236	BASKET BACKGROUND WITH EXPANDED PLATE		01
06	0571017197	BIGGEST PLATE JUNCTION		02
07	0561016669	FRONT PLATE		01
08	0561016667	UPPER PLATE		02
09	0561016668	REAR PLATE		01
10	0571017184	PARTS BASKET		02
11	0571017180	EXTERNAL EAR ARTICULATED		02
12	0561014353	LEFT SUPPORT PLATE		02
13	0571017194	AXIS 25 X 125		10
14	0503010131	3/16" X 1.1/2" SPLIT PIN		20
15	0571017193	FLAT WASHER		20
16	0503010002	GREASE FITTING 1800		02
17	0503011082	C1/2" X 1.3/4" SCREW		04
18	0511017302	FLAT WASHER 13.50 X 32.50 X 3.0 ZN		08
19	0503010019	SPRING WASHER 1/2"		04
20	0503010060	HEX NUT 1/2 UNC G.5 ZN		04



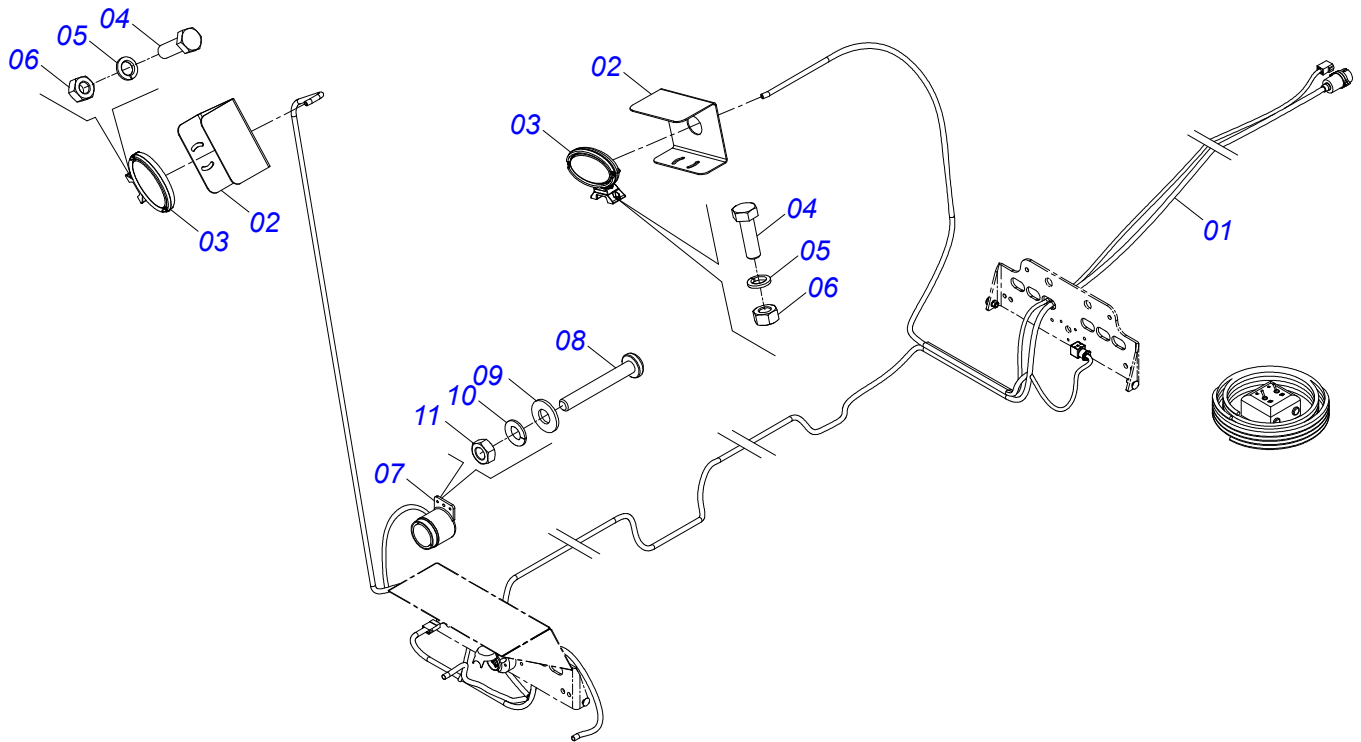
Item	Code	Description	See page	QT
01	0521065237	SIDE BASKET WITH PLATE		01
02	0511067601	COVER DOOR		01
03	0521010553	0.5" X 3" COUPLING SHAFT		02
04	0503010257	1/8" X 1" SPLIT PIN		02
05	0503030168	HITCH PIN CLIP		01
06	0503011423	RING		01



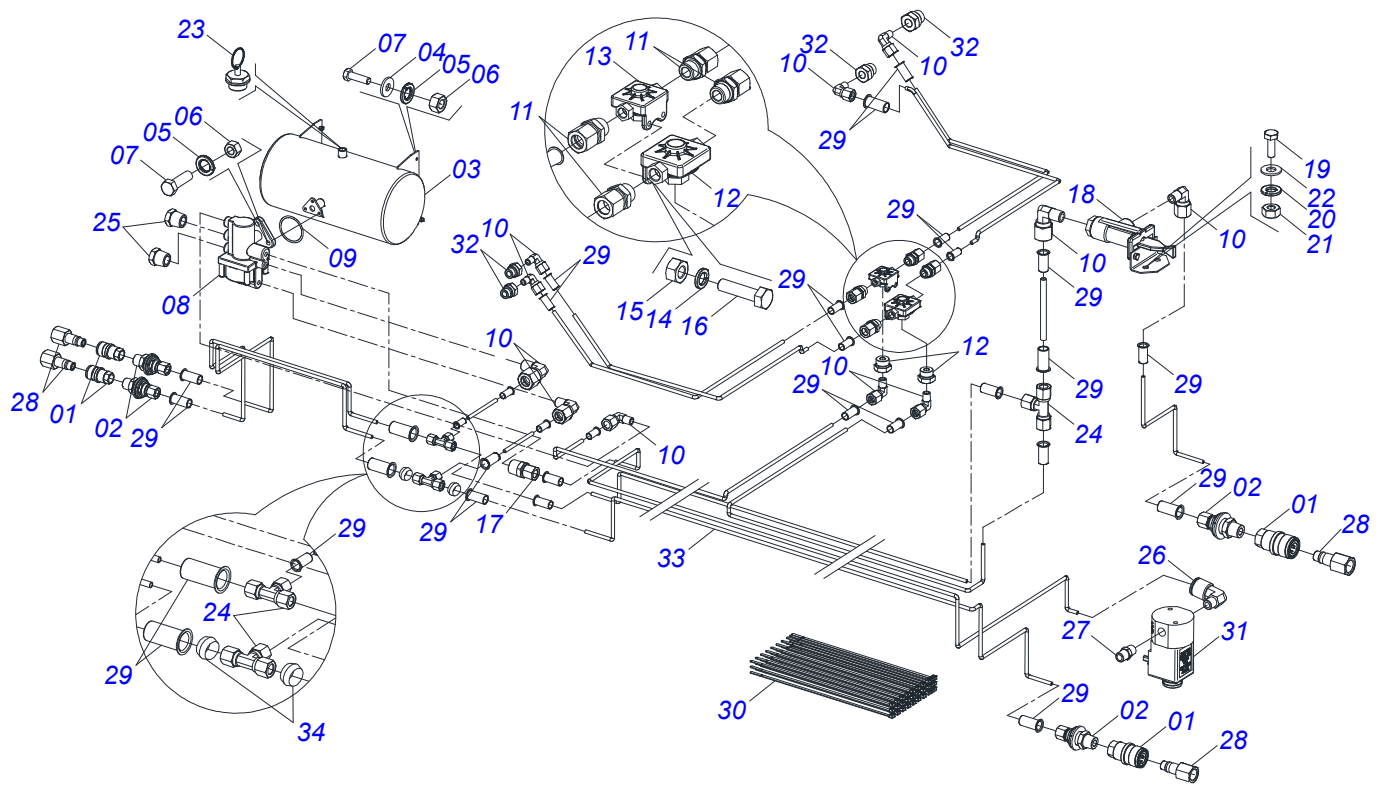
Item	Code	Description	See page	QT
01	0561016687	LOGO BRAND CIVEMASA BASKET TAC 10500		01
02	0503013356	RIVET POP 3,2 X 10,0		12
03	0511067982	PIVOT SHAFT BOX CYLINDER		01
04	0503010834	1/2 X 1 BOLT		01
05	0503010019	SPRING WASHER 1/2"		01
06	0521065240	FRONT STRUCTURE BASKET WITH PLATE		01



Item	Code	Description	See page	QT
01	0511067982	PIVOT SHAFT BOX CYLINDER		01
02	0503010834	1/2 X 1 BOLT		01
03	0503010019	SPRING WASHER 1/2"		01
04	0561016687	LOGO BRAND CIVEMASA BASKET TAC 10500		01
05	0503013356	RIVET POP 3,2 X 10,0		12
06	0521065239	REAR STRUCTURE WITH PLATE		01

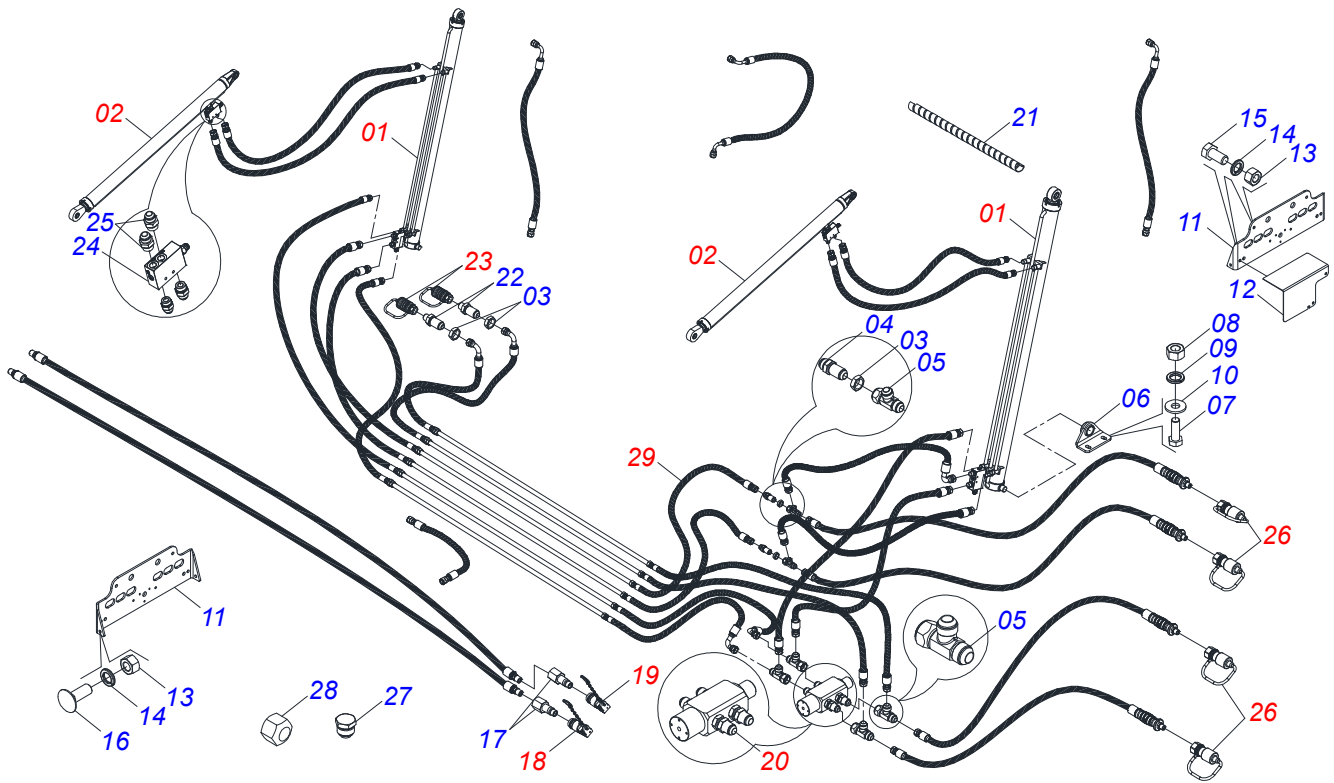


Item	Code	Description	See page	QT
01	0503064661	ELECTRICAL STARTER KIT		01
02	0591014370	LED HEADLIGHT PROTECTION		02
03	0503018738	HEADLIGHT		02
04	0503010371	5/16" X 1" BOLT		04
05	0503010179	LOCK WASHER 5/16 ZN 1K01528		04
06	0503010337	NUT 5/16 UNC G.5 ZN		04
07	0503019808	BUZZER		01
08	0503016145	M 4 X 30 BOLT		02
09	0503010669	FLAT WASHER 5 X 11 X 1.00 ZN		02
10	0503010668	SPRING WASHER 3/16"		02
11	0503015597	NUT M4		02

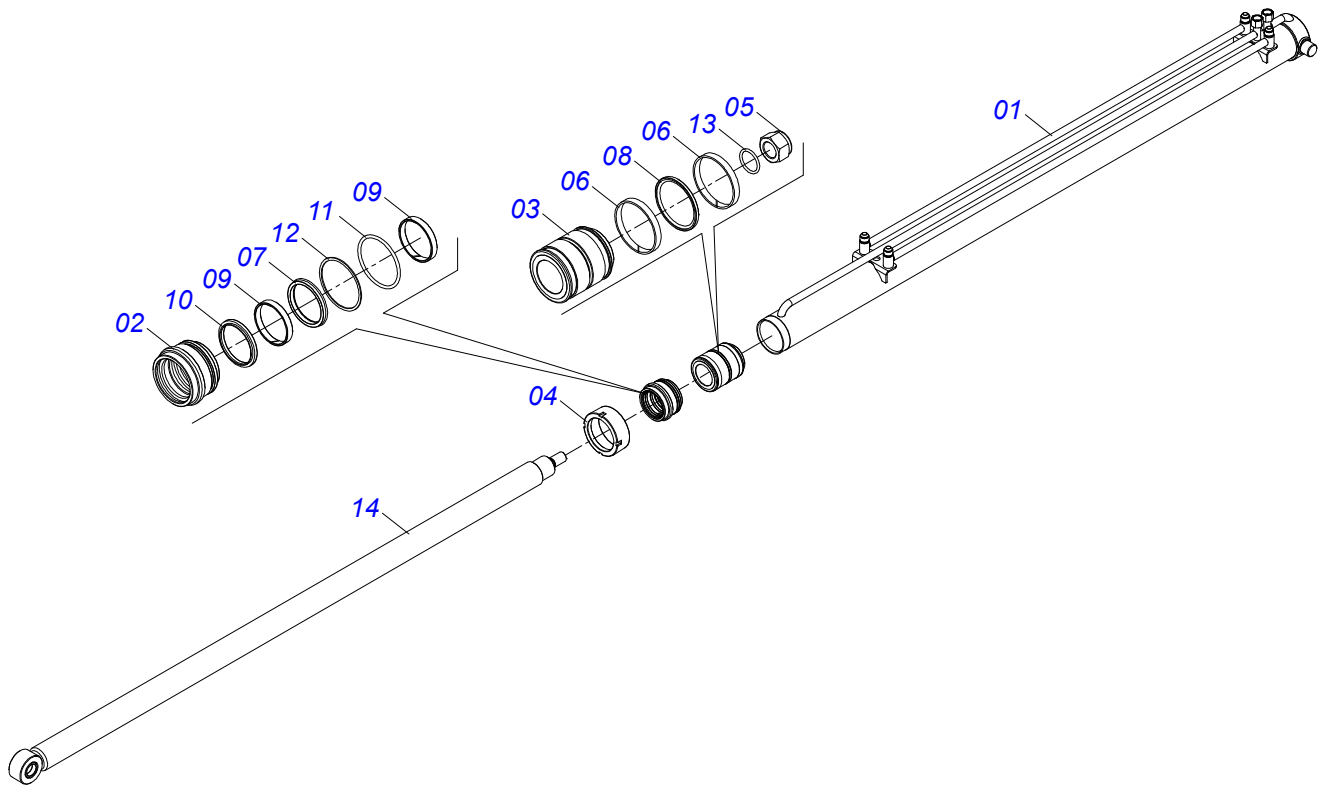


Item	Code	Description	See page	QT
01	0503014140	FEMALE QUICK COUPLER		30
02	0503014138	UNION ANTEP TUBE		04
03	0503033132	RESERVOIR AR 36L (CYLINDER)		01
04	0501010984	FLAT WASHER 10.50 X 27 X 3.00		06
05	0503010025	SPRING WASHER 3/8"		09
06	0503010026	NUT 3/8"		09
07	0503010751	C3/8" X 1.1/4" HEX BOLT G.5		09
08	0503032389	VALVE		01
09	0503013421	2-125 N O'RING		01
10	0503032307	CONNECT ELBOW		11
11	0503014216	MALE CONNECTOR		04
12	0503013481	REDUCTOR		02
13	0503014038	VALVE		02
14	0503010179	LOCK WASHER 5/16 ZN 1K01528		02
15	0503010337	NUT 5/16 UNC G.5 ZN		02
16	0503010365	BOLT 5/16 UNC X 1.1/4 C S G.5 ZN		02
17	0503014213	MALE CONNECTOR		01
18	0503014039	VALVE DRIVE 1/4 9201001G37571		01
19	0503010282	1/4" X 3/4" BOLT		02
20	0503010143	SPRING WASHER 1/4"		02
21	0503010144	1/4" NUT		02
22	0501010694	FLAT WASHER 8.50 X 18 X 1.50 ZN		02
23	0503013523	VALVE		01
24	0503032301	CONNECTION		03
25	0503013518	1/4" PLUG		02
26	0503015499	ELBOW		01
27	0503014486	NIPLE		01
28	0503013515	QUICK CONECTION		04
29	0503014002	ADAPTER		29
30	0503013527	ZIP TIE		30
31	0503032387	VALVE PN		01
32	0503014037	REDUCTION		04

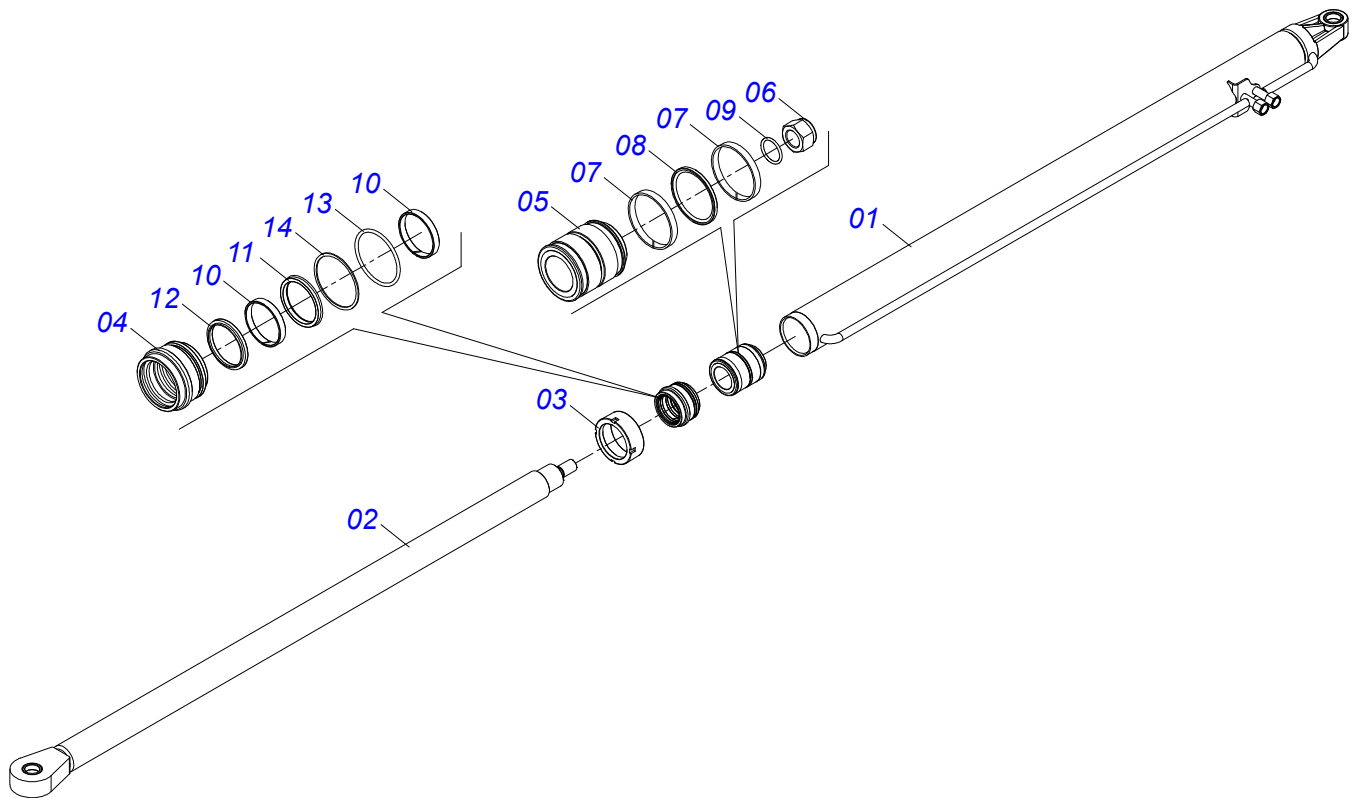
Item	Code	Description	See page	QT
33	0503032835	1/2 TUBE		27
34	0503014000	TECALON TUBER RING		02



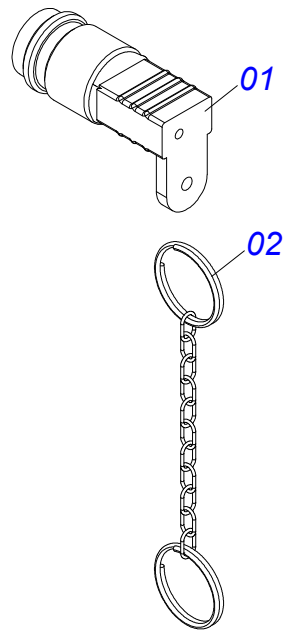
Item	Code	Description	See page	QT
01	0531051603	LIFTING CYLINDER 76.2 X 101.6 X 2260 X 2010	9	02
02	0531051778	TIP CYLINDER 76.2 X 101.6 X 2100 X 1640	10	02
03	0541016752	1.1/4"X 1.1/16" UN X 11 NUT HEX		06
04	0541016751	NIPPLE		02
05	0503013534	ADAPTER T TEE		08
06	0511068514	BEARING		06
07	0503010232	BOLT 5/8" X 1.3/4"		04
08	0503010013	HEX NUT 5/8 UNC G.5 ZN		04
09	0503010027	SPRING WASHER 5/8"		04
10	0501012140	FLAT WASHER 16,50 X 40 X 4,00 ZN		04
11	0551010708	HYDRAULIC PANEL		02
12	0561012738	PROTECTION VALVE		01
13	0503010026	NUT 3/8"		04
14	0503010025	SPRING WASHER 3/8"		04
15	0503010256	3/8" X 3/4" BOLT		02
16	0501011643	BOLT 3/8 X 1"		04
17	0503013515	QUICK CONECTION		02
18	0521050201	QUICK COUPLING	11	01
19	0521052222	QUICK COUPLING	12	01
20	0501059638	HYDRAULIC VALVE EL/PN ASSY	13	01
21	0503014278	MP100 PLASTIC PROTECTION SPRING FOR 3/4 HOSE		10
22	0561011869	R.1.1/16 UN X 1/2 NPT X 75,5 NIPPLE		04
23	0501053835	FEMALE QUICK COUPLER	14	04
24	0513011589	COUNTERBALANCE VALVE		04
25	0513011273	ADAPTER TERMINAL MF R.3/4 BSP X 1.1/16 UN - JIC		16
26	0501053834	MALE QUICK COUPLER	16	04
27	0591018710	PLUG		08
28	0551010235	COVER		08
29	0541057322	HOSE KIT	15	01



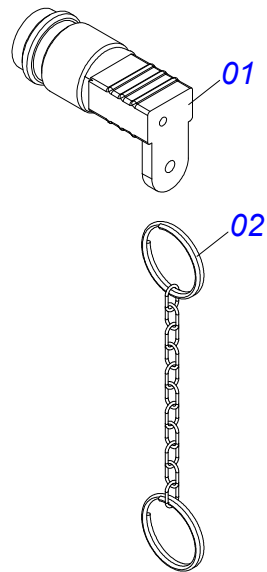
Item	Code	Description	See page	QT
01	0531062442	CYLINDER LIFTING CASE		01
02	0551016445	RING SUPPORT		01
03	0551016446	101.6 X 63.5 PISTON		01
04	0541019606	MOBILE COVER		01
05	0503010817	1.1/4" SELF LOCKING NUT		01
06	0503010994	W2-4000-500 PK RING G.E		02
07	0503013552	GASKET		01
08	0503012725	GASKET		01
09	0503013553	SEAL RING		02
10	0503012642	D-3000 SCRAPER RING		01
11	0503010338	2-342 N 3006-9B O'RING		01
12	0503011061	8-342 BACK-UP RING		01
13	0503010345	2-218 N 3006-9B O'RING		01
14	0511068729	ROD CILINDER ELEVATION		01



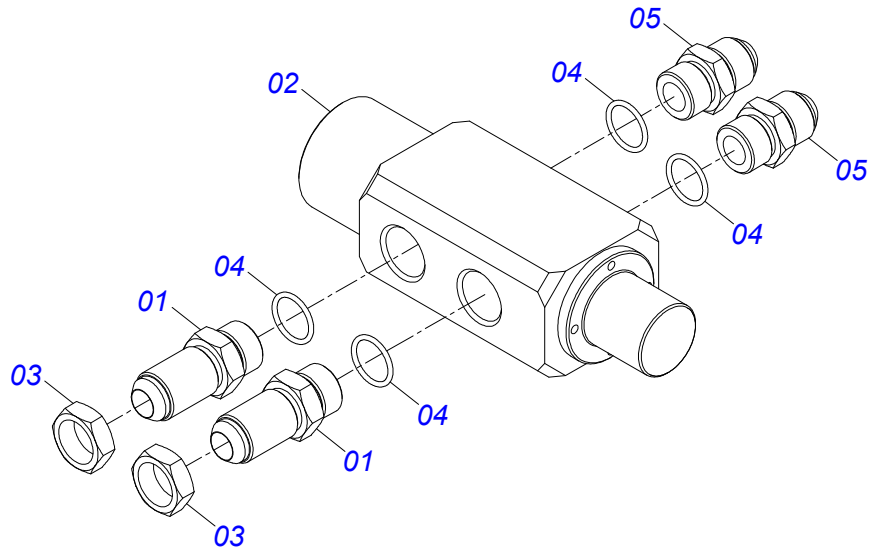
Item	Code	Description	See page	QT
01	0531062518	CASE 101,6 X 1950		01
02	0521060537	ROD CILINDER ROCKER		01
03	0541019606	MOBILE COVER		01
04	0551016445	RING SUPPORT		01
05	0551016446	101.6 X 63.5 PISTON		01
06	0503010817	1.1/4" SELF LOCKING NUT		01
07	0503010994	W2-4000-500 PK RING G.E		02
08	0503012725	GASKET		01
09	0503010345	2-218 N 3006-9B O'RING		01
10	0503013553	SEAL RING		02
11	0503013552	GASKET		01
12	0503012642	D-3000 SCRAPER RING		01
13	0503010338	2-342 N 3006-9B O'RING		01
14	0503011061	8-342 BACK-UP RING		01



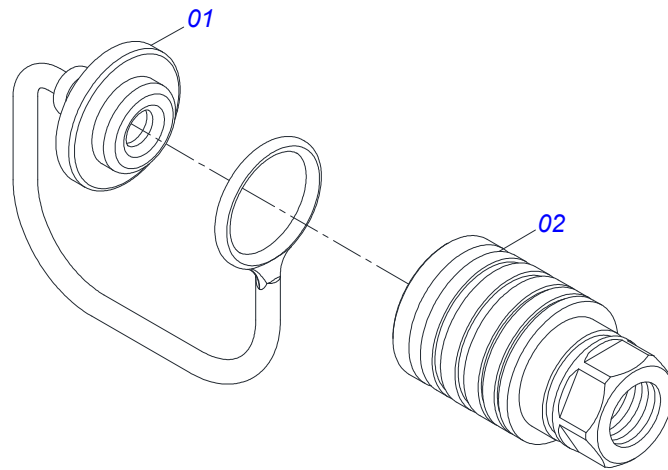
Item	Code	Description	See page	QT
01	0503011424	QUICK COUPLING COVER (RED)		01
02	0503011423	RING		01



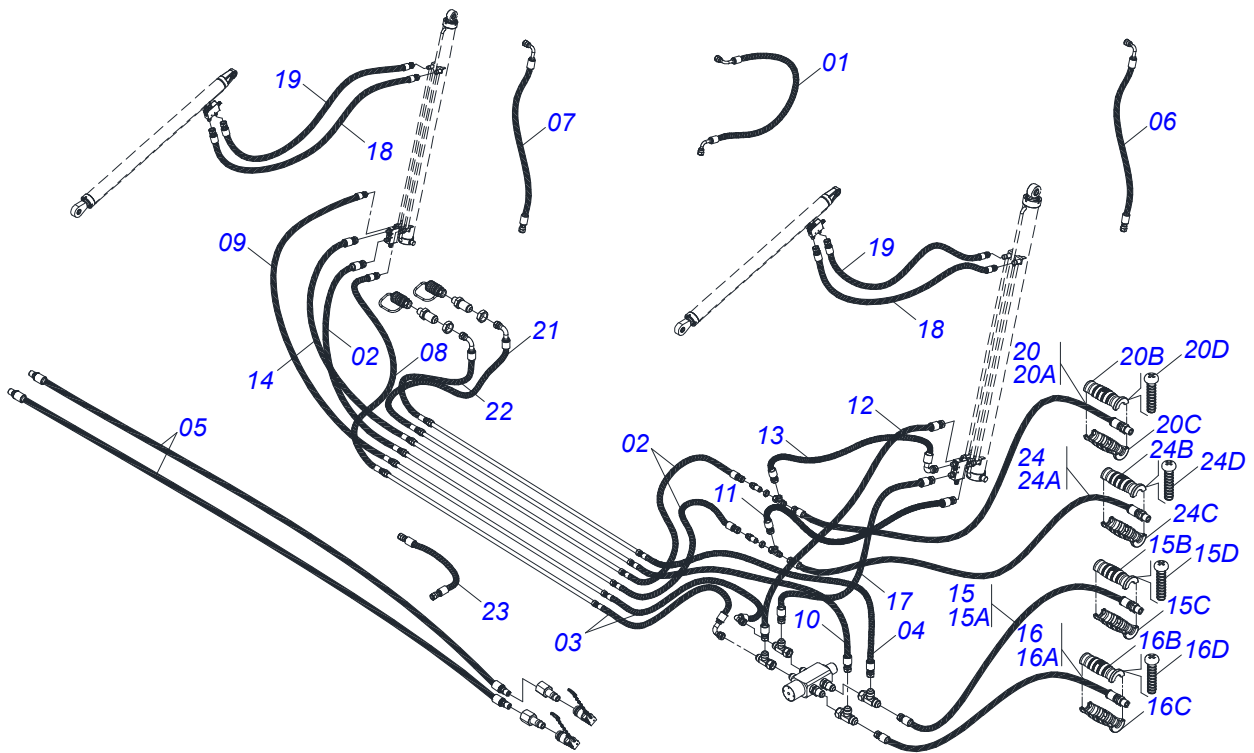
Item	Code	Description	See page	QT
01	0503019216	QUICK COUPLING COVER (YELLOW)		01
02	0503011423	RING		01



Item	Code	Description	See page	QT
01	0541016753	NIPLE		02
02	0503032386	HYDRAULIC VALVE EL/PN		01
03	0541016752	1.1/4"X 1.1/16" UN X 11 NUT HEX		02
04	0503011109	O'RING 2-119 N 3006 9B		04
05	0501010589	R. 1.1/16UN SEXT 1.1/4 X 52 NIPPLE		02

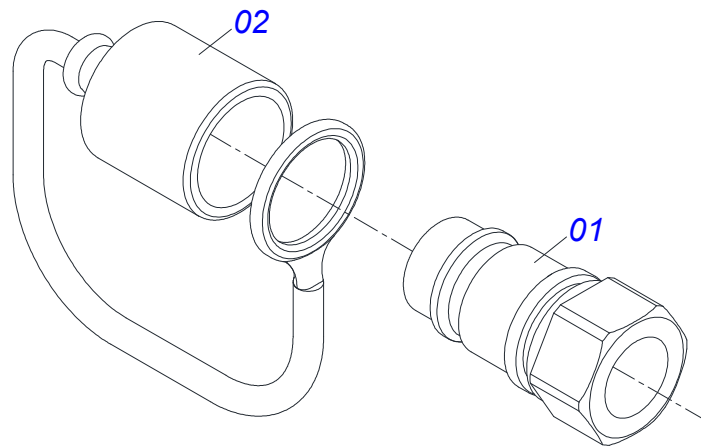


Item	Code	Description	See page	QT
01	0503011883	PLASTIC COVER		01
02	0503011628	FEMALE QUICK COUPLER		01

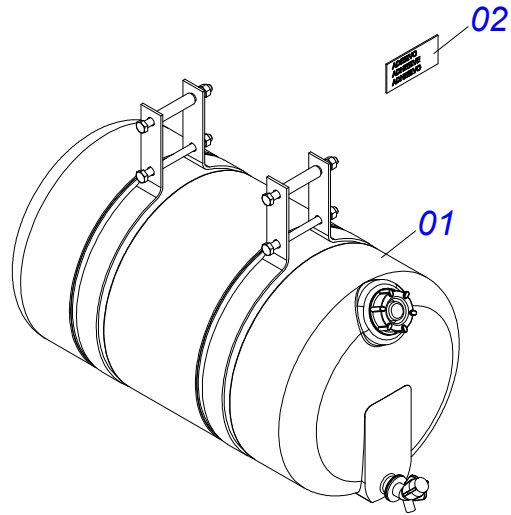


Item	Code	Description	See page	QT
01	0501082381	HOSE 1/4 X 600 TC-TC		02
02	0501082384	HOSE		03
03	0501080019	3/4 X 1000 TR-TC HOSE		02
04	0501080136	3/4 X 1400 TR-TC 1G138642 HOSE		01
05	0501081275	1/2 X 3250 TM-TM HOSE		02
06	0501081464	1/4" X 27.60" TR-TC HOSE		02
07	0501082239	HOSE 1/4 X 625 TR-TC		02
08	0501080232	3/4" X 43.30" TR-TR HOSE		01
09	0501081337	3/4 X 1200 TR-TR HOSE		01
10	0501080028	3/4 X 1200 TR-TC HOSE		01
11	0501081290	3/4 X 900 TR-TR HOSE		01
12	0501081292	3/4" X 25.60" TR-TC HOSE		01
13	0501080031	3/4" X 19.70" TR-TR HOSE		01
14	0501081309	3/4" X 39.37" TR-TR HOSE		01
15	0531051795	HOSE		01
15A	0501082380	HOSE 3/4 X 2800 TR-TM		01
15B	0503034492	HYDRAULIC HOSE GRIP (BLACK)		01
15C	0503034494	HYDRAULIC HOSE GRIP (BLUE)		01
15D	0503018952	PLASTIC BOLT PH 2.5 X 10 ZB		01
16	0531051823	HOSE		01
16A	0501080797	3/4 X 3000 TR-TM HOSE		01
16B	0503034492	HYDRAULIC HOSE GRIP (BLACK)		01
16C	0503034495	HYDRAULIC HOSE GRIP (RED)		01
16D	0503018952	PLASTIC BOLT PH 2.5 X 10 ZB		01
17	0501080012	3/4 X 700 TR-TR HOSE		01
18	0501082383	HOSE		02
19	0501081019	HOSE 3/4 X 2800 TR-TR		02
20	0531051824	HOSE		01
20A	0501080797	3/4 X 3000 TR-TM HOSE		01
20B	0503034489	HYDRAULIC HOSE GAUNTLET (GRAY)		01
20C	0503034495	HYDRAULIC HOSE GRIP (RED)		01
20D	0503018952	PLASTIC BOLT PH 2.5 X 10 ZB		01

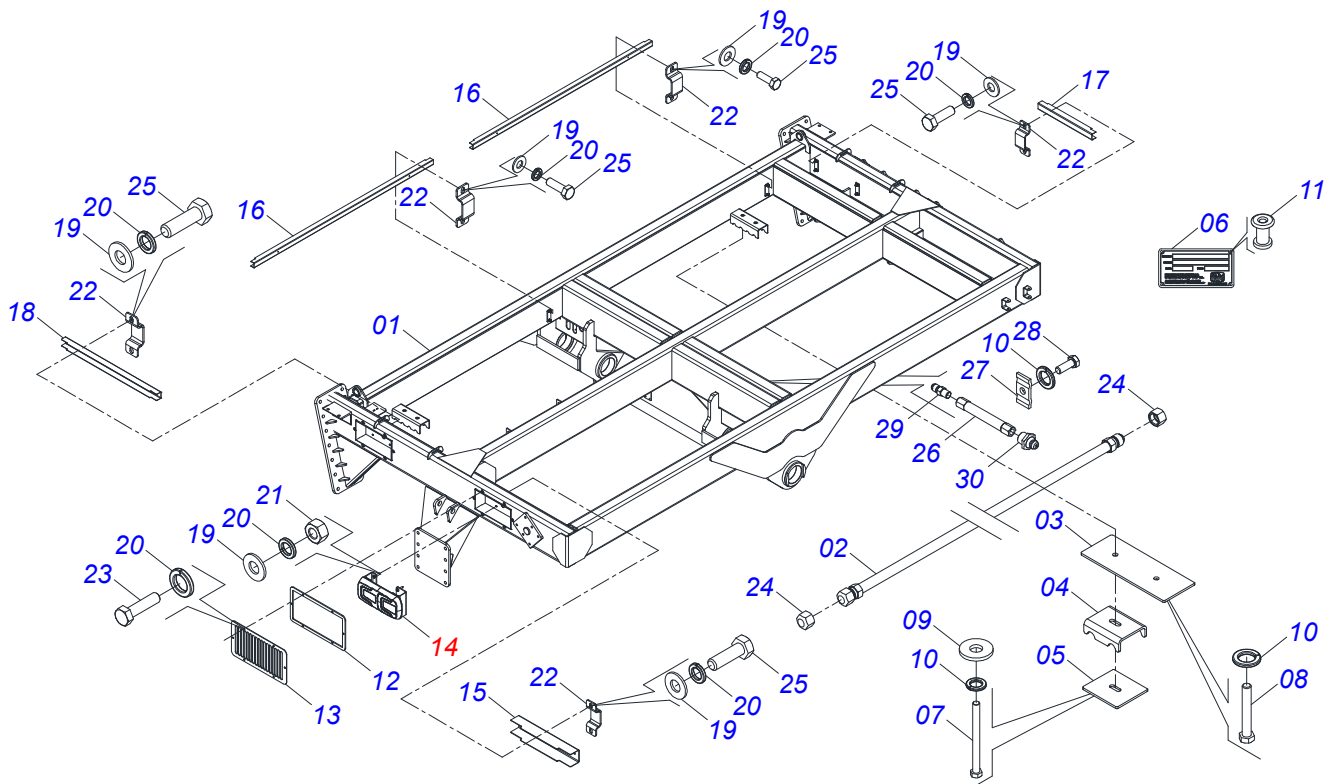
Item	Code	Description	See page	QT
21	0501080032	3/4 X 900 TR-TC HOSE		01
22	0501080220	HOSE 3/4 X 850 TR-TC		01
23	0501081776	1/4 X 400 TR-TR HOSE		01
24	0531051796	HOSE		01
24A	0501082380	HOSE 3/4 X 2800 TR-TM		01
24B	0503034489	HYDRAULIC HOSE GAUNTLET (GRAY)		01
24C	0503034494	HYDRAULIC HOSE GRIP (BLUE)		01
24D	0503018952	PLASTIC BOLT PH 2.5 X 10 ZB		01



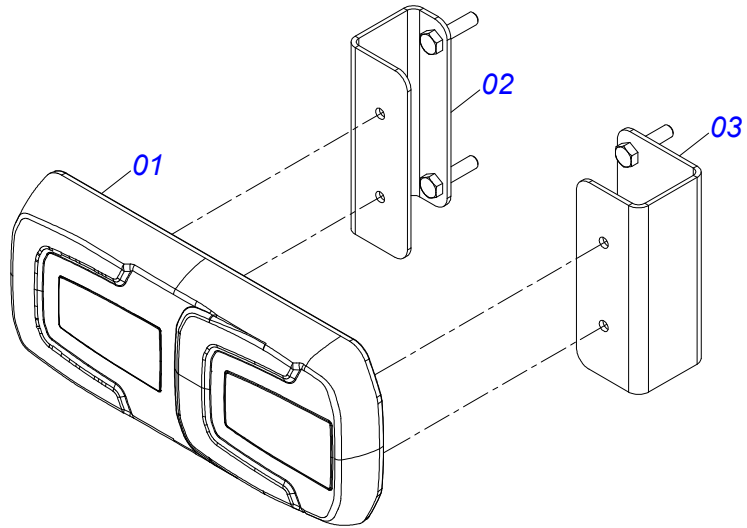
Item	Code	Description	See page	QT
01	0503011627	MALE QUICK COUPLER AGR 1/2 NPT		01
02	0503011882	MALE QUICK COUPLER CAP		01



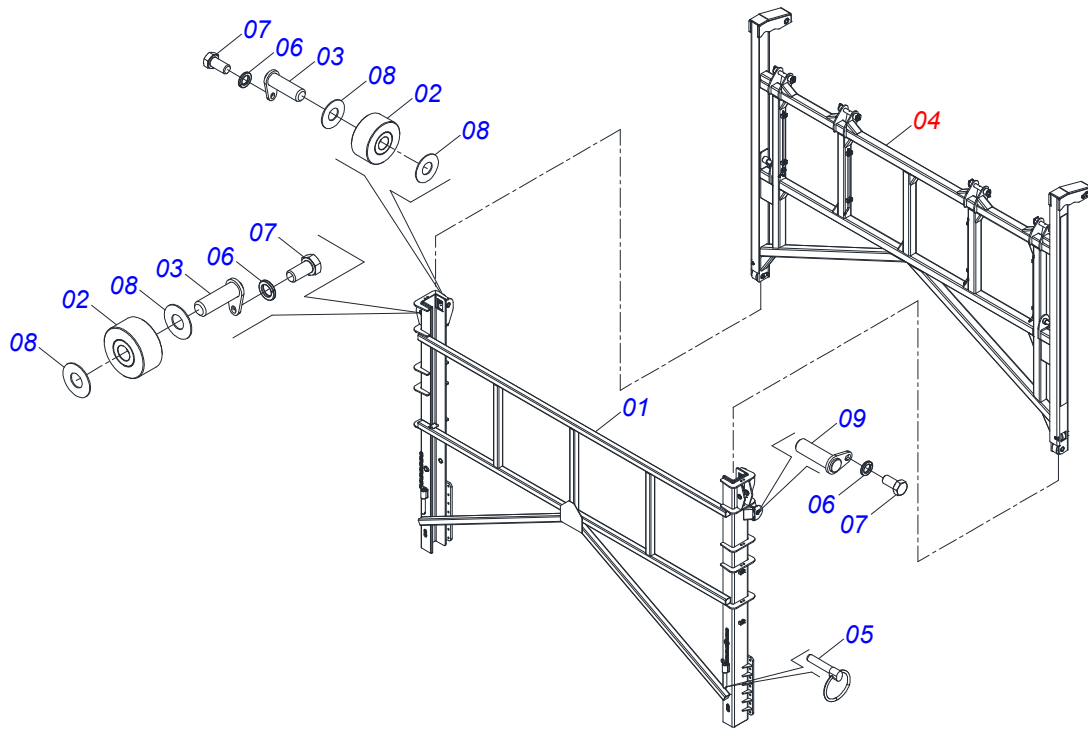
Item	Code	Description	See page	QT
01	0503014820	WATER JUG 25/26 LITERS		01
02	0503032532	NON-DRINKABLE WATER DECAL		01



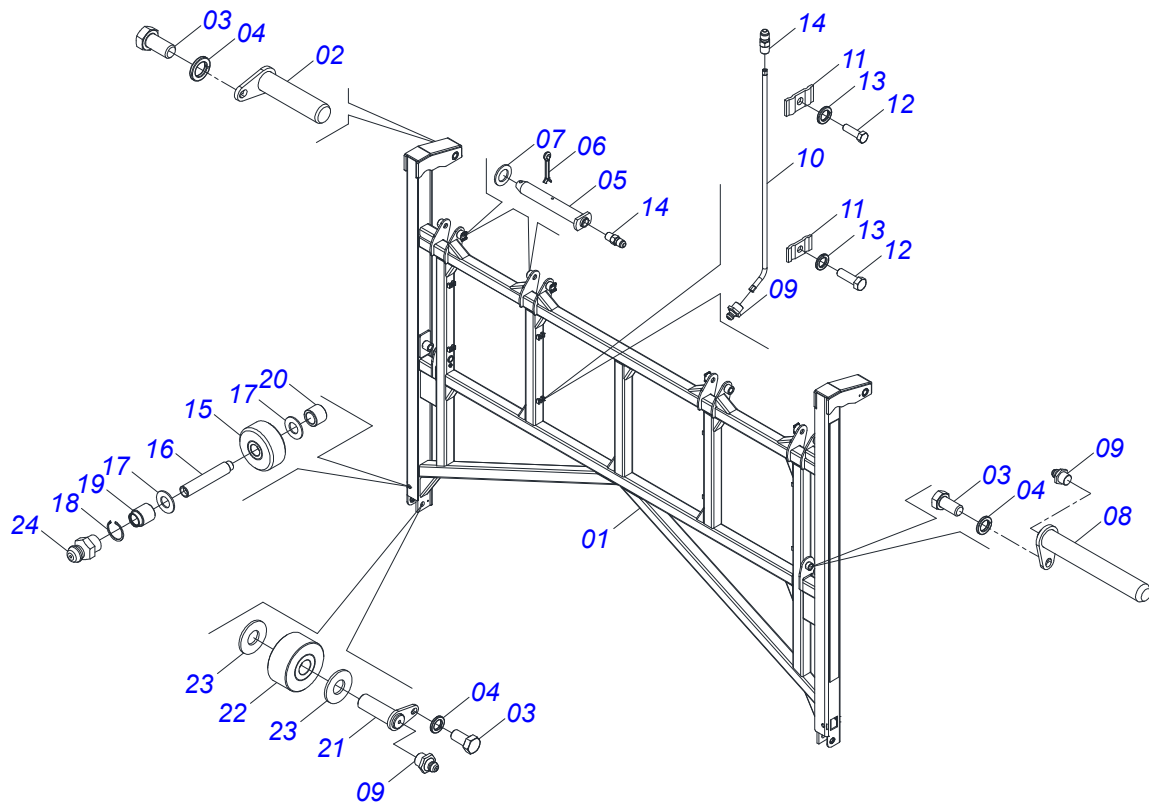
Item	Code	Description	See page	QT
01	0531069326	FRAME BASE		01
02	0511069769	TUBE TAC 10500		06
03	0551015937	FIXER PLATE PIPING		02
04	0561013211	FIXER LOWER TUBING		02
05	0561013212	PLATE LOWER FIXER		02
06	0503034003	61 X 118 SERIAL NUMBER TAG		01
07	0503011123	BOLT		02
08	0503011268	3/8" X 2-1/2" BOLT		02
09	0501010984	FLAT WASHER 10.50 X 27 X 3.00		02
10	0503010025	SPRING WASHER 3/8"		05
11	0503010001	RIVET 3,2 X 5,5		04
12	0591014298	FRAME CASE LANTERN		02
13	0591014297	LANTERN CASE COVER		02
14	0541055019	FLASHLIGHT SUPPORT	19	02
15	0501415060	SUPPORT U 38 X 38 X 1,50 X 210		01
16	0501412112	SUPPORT U 38 X 38 X 1,50 X 1640		02
17	0591014863	38 X 38 X 1,50 X 405 GUTTER		01
18	0591014860	38 X 38 X 1,50 X 648 GUTTER		01
19	0501010694	FLAT WASHER 8.50 X 18 X 1.50 ZN		28
20	0503010179	LOCK WASHER 5/16 ZN 1K01528		40
21	0503010337	NUT 5/16 UNC G.5 ZN		08
22	0591014299	TROUGH FIXING CLAMP		10
23	0503010365	BOLT 5/16 UNC X 1.1/4 C S G.5 ZN		12
24	0551010235	COVER		12
25	0503010371	5/16" X 1" BOLT		20
26	0511069600	GREASE TUBE		01
27	0531011180	SUPPORT		01
28	0503010237	BOLT 3/8" X 1"		01
29	0503012776	1/8" NF NIPPLE		01
30	0503010002	GREASE FITTING 1800		01



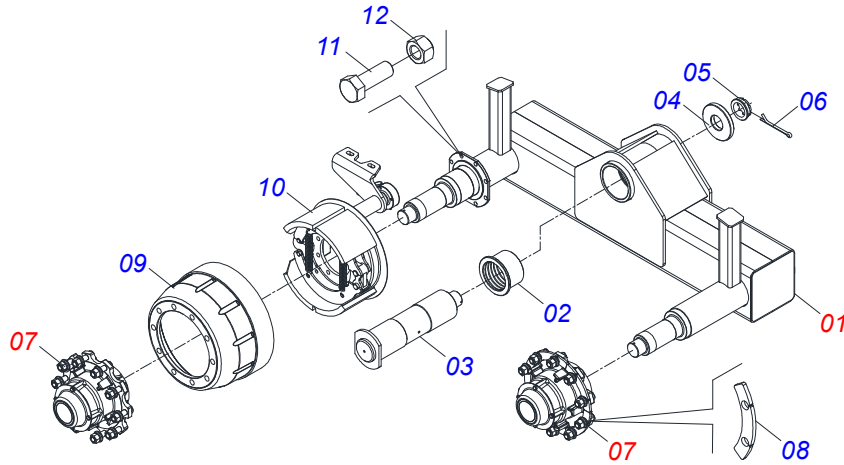
Item	Code	Description	See page	QT
01	0503019579	LED LANTERN		01
02	0531069093	FLASHLIGHT SUPPORT		01
03	0531069092	FLASHLIGHT SUPPORT		01



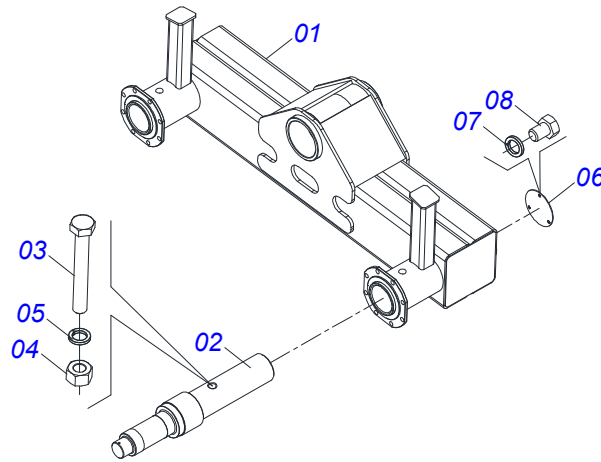
Item	Code	Description	See page	QT
01	0521067189	GUIDE FRAME (176X4360) FLANGED		01
02	0501110526	LOWER PULLEY		04
03	0511067985	PIN UPPER PULLEY		04
04	0511047914	LIFT ASSY	21	01
05	0503030430	7/16 X 2" PIN LOCK		02
06	0503010019	SPRING WASHER 1/2"		06
07	0503010834	1/2 X 1 BOLT		06
08	0551014871	FLAT WASHER		08
09	0521065778	1.25" X 4.09" SHAFT		02



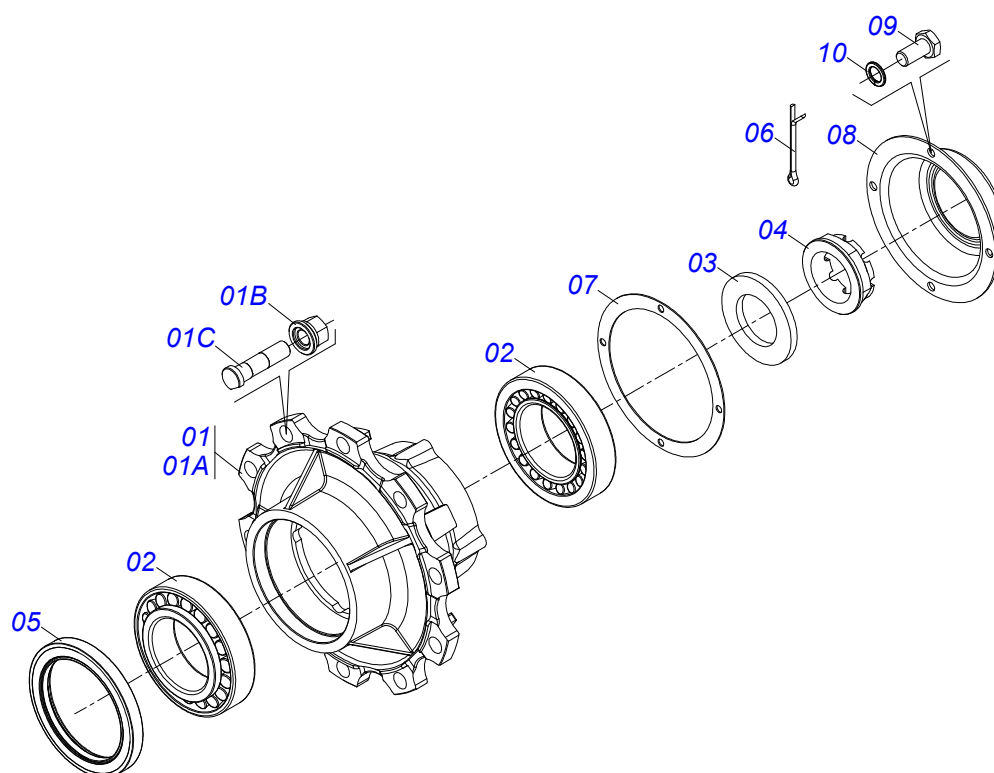
Item	Code	Description	See page	QT
01	0511068752	FRAME LIFT TCA 10500 CHE		01
02	0511068767	PIN FIXER		02
03	0503010834	1/2 X 1 BOLT		06
04	0503010019	SPRING WASHER 1/2"		06
05	0511068336	PIVOT SHAFT SKEP		04
06	0503010534	3/8" X 2.1/2" SPLIT PIN		04
07	0501012916	FLAT WASHER 40 X 66 X 4,75 ZN		04
08	0511067983	PIVOT SHAFT		02
09	0503010002	GREASE FITTING 1800		08
10	0511068768	GREASE TUBE LIFT		04
11	0531011180	SUPPORT		08
12	0503010751	C3/8" X 1.1/4" HEX BOLT G.5		08
13	0503010025	SPRING WASHER 3/8"		08
14	0503012776	1/8" NF NIPPLE		09
15	0501110540	PULLEY SIDE ELEVATION		02
16	0551014860	PIN LOWER SIDE LIFT		02
17	0551014872	FLAT WASHER		04
18	0503014307	SEAL RING		02
19	0551014874	SLEEVE		02
20	0551014873	SLEEVE		02
21	0511068766	PIN POULIE 38,1 X 110		02
22	0501110526	LOWER PULLEY		02
23	0551015940	FLAT WASHER		04
24	0503010691	GREASE FITTING 1/4"		02



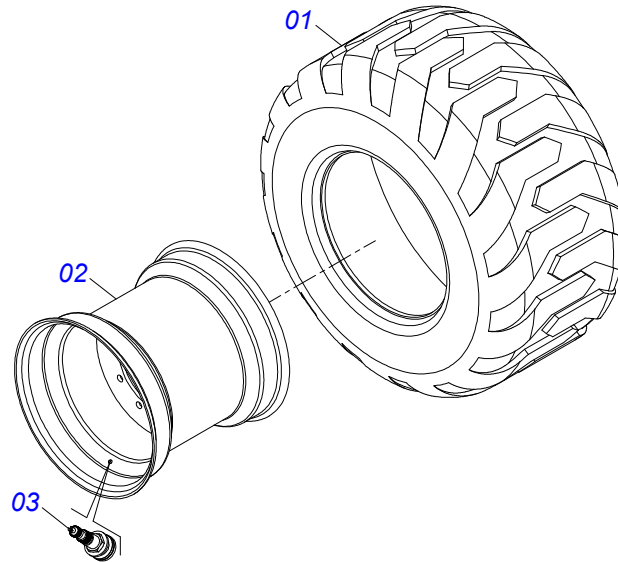
Item	Code	Description	See page	QT
01	0521050366	LEFT AND RIGHT BALANCE SHEET	23	01
02	0531016429	BUSHING		02
03	0521062517	PIVOT SHAFT		01
04	0551012036	FLAT WASHER		01
05	0581013528	FLANGED NUT		01
06	0503012213	1/4" X 4" SPLIT PIN		01
07	0511045858	WHEEL HUB ASSY WITH BRAKE	24	02
08	0561015521	FLANGE WHEEL HUB		10
09	0502020688	BRAKE DRUM		01
10	0503014053	BREAK		01
11	0501010100	BOLT 5/8" UNC X 2 CS G.5 ZN		08
12	0503012412	5/8" UNC SELF LOCKING NUT		08



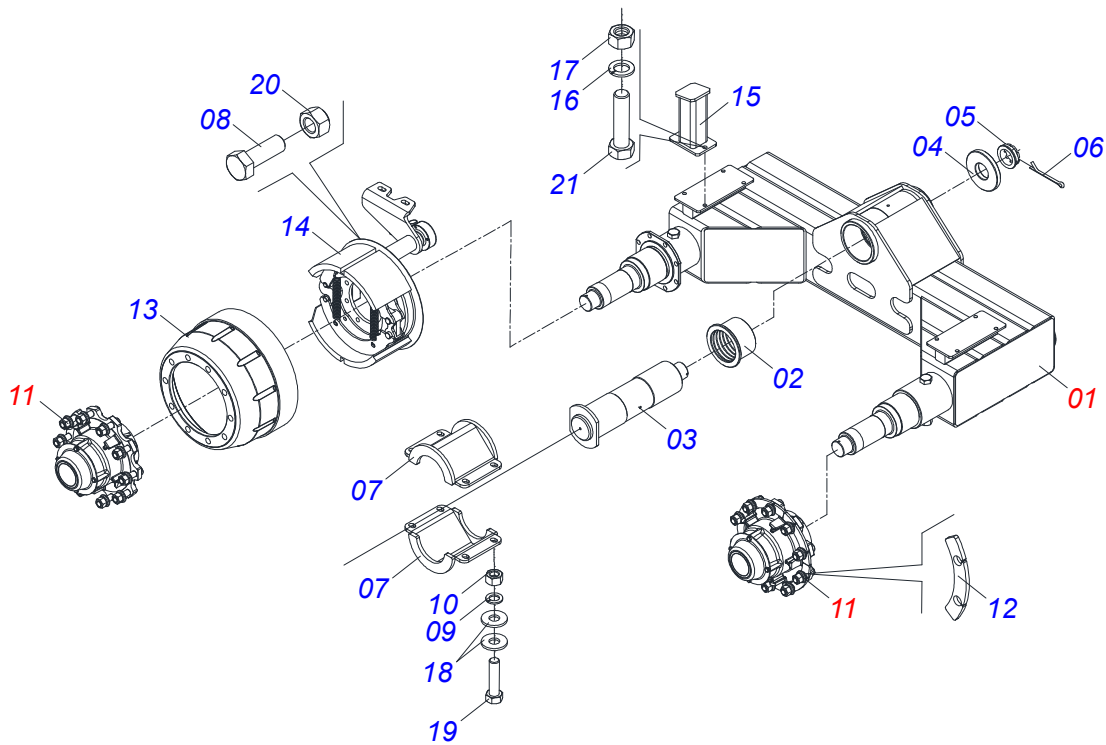
Item	Code	Description	See page	QT
01	0521067334	LEFT/RIGHT BALANCE BODY		01
02	0581013527	CARRYING WHEELS AXLE		02
03	0501010219	BOLT 1" X 7-1/2"		02
04	0501010059	NUT 1.5/8		02
05	0503010012	SPRING WASHER 1"		02
06	0551010696	CARRYING WHEELS AXLE COVER		02
07	0503010025	SPRING WASHER 3/8"		06
08	0503010206	3/8" X 1/2" BOLT		06



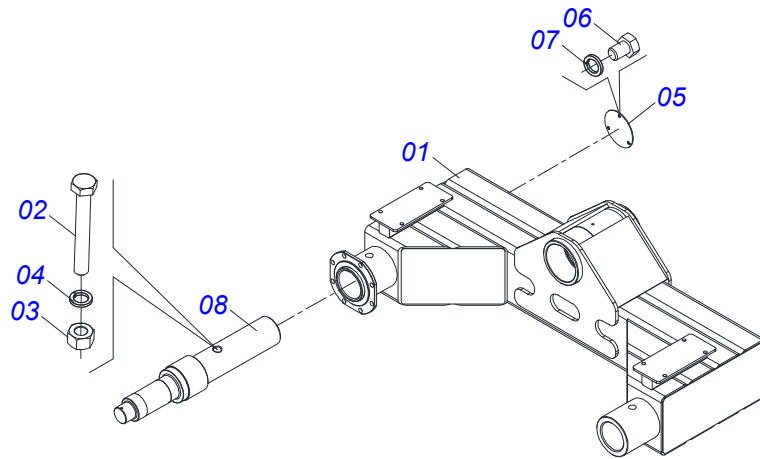
Item	Code	Description	See page	QT
01	0501110771	CARRYING WHEEL HUB		01
01A	0502012462	WHEEL HUB		01
01B	0503014048	HEX NUT M22 X 1,5" CH 32 X 33,5		10
01C	0503014049	M22 X 1,5 X 89/97" BOLT		10
02	0503010118	32218 BEARING		02
03	0531019986	64 X 110 X 9.5 FLAT WASHER		01
04	0502040080	FLANGE NUT R.2.1/2" UN		01
05	0503013541	REAR RETAINER 0310-BG AR22 1G25356		01
06	0503012213	1/4" X 4" SPLIT PIN		01
07	0503013548	JOINT CORK CR4F		01
08	0503013549	HUB COVER		01
09	0503013546	BOLT SX MA5,8 M10X1,5X20ZA DI		04
10	0503013542	M10 SPRING WASHER		04



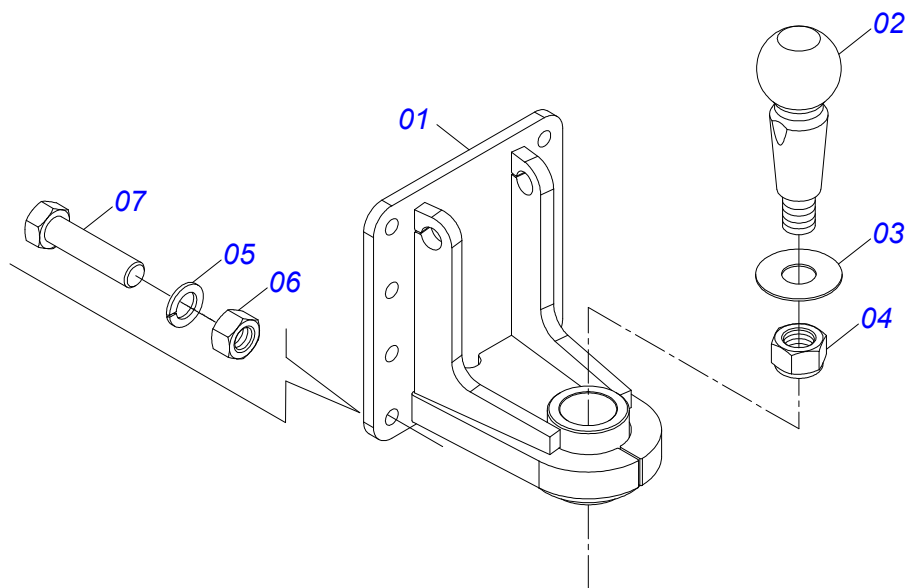
Item	Code	Description	See page	QT
01	0503015483	TIRE 600/50-22.5 TL T404 168A8		01
02	0503013045	RIM 20.00X22.5		01
03	0503013999	VALVE 16MM AGR		01



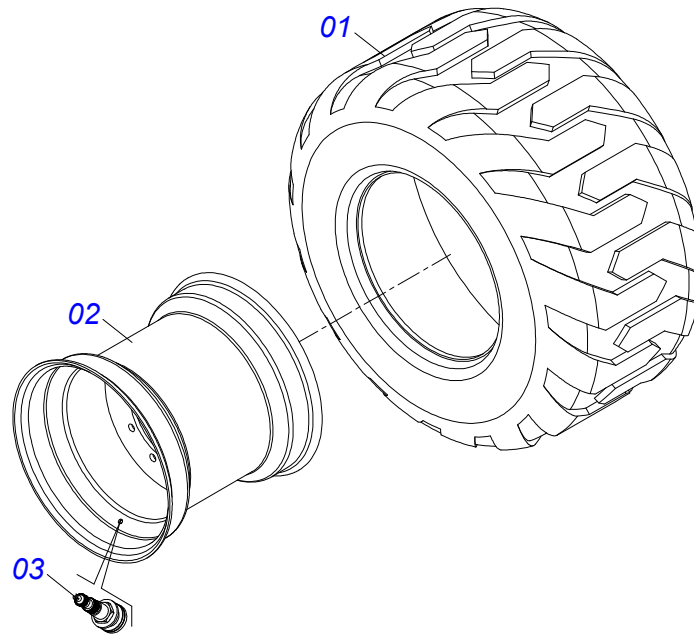
Item	Code	Description	See page	QT
01	0521050367	ADJUSTABLE ROCKER 200MM	27	01
02	0531016429	BUSHING		02
03	0521062616	PIVOT SHAFT		01
04	0551012036	FLAT WASHER		01
05	0581013528	FLANGED NUT		01
06	0503012213	1/4" X 4" SPLIT PIN		01
07	0521061870	SPACER BELL CRANK		02
08	0501010100	BOLT 5/8" UNC X 2 CS G.5 ZN		08
09	0503010027	SPRING WASHER 5/8"		04
10	0503010013	HEX NUT 5/8 UNC G.5 ZN		04
11	0511045858	WHEEL HUB ASSY WITH BRAKE	24	02
12	0561015521	FLANGE WHEEL HUB		10
13	0502020688	BRAKE DRUM		01
14	0503014052	BRAKE		01
15	0511069601	BEATER BELL CRANK		02
16	0503010019	SPRING WASHER 1/2"		04
17	0503010060	HEX NUT 1/2 UNC G.5 ZN		04
18	0501012140	FLAT WASHER 16,50 X 40 X 4,00 ZN		08
19	0503010232	BOLT 5/8" X 1.3/4"		04
20	0503012412	5/8" UNC SELF LOCKING NUT		08
21	0503010395	1/2" X 1-1/4" BOLT		04



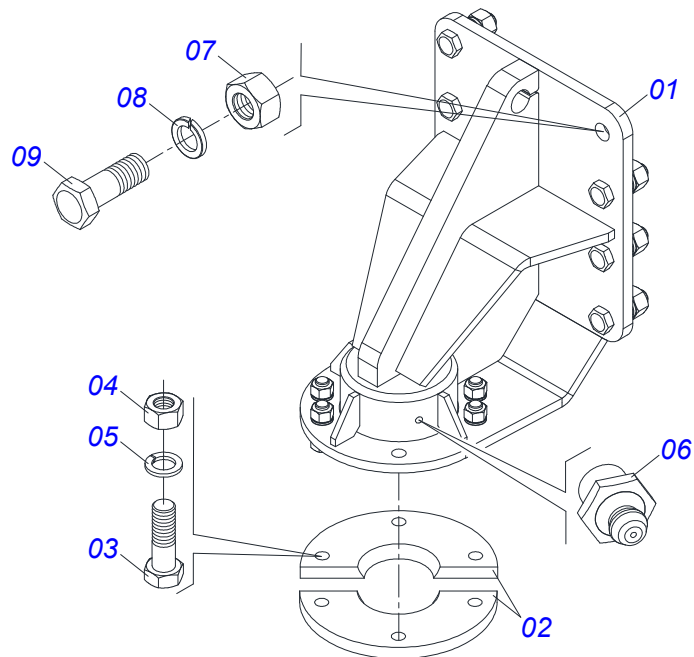
Item	Code	Description	See page	QT
01	0521067525	ADJUSTABLE ROCKER BODY		01
02	0501010219	BOLT 1" X 7-1/2"		02
03	0501010059	NUT 1.5/8		02
04	0503010012	SPRING WASHER 1"		02
05	0551010696	CARRYING WHEELS AXLE COVER		02
06	0503010206	3/8" X 1/2" BOLT		06
07	0503010025	SPRING WASHER 3/8"		06
08	0581013527	CARRYING WHEELS AXLE		02



Item	Code	Description	See page	QT
01	0521061361	HITCH BALL REAR		01
02	0541015756	HITCH PIN MALE		01
03	0521011721	1.6" X 3.94" X 0.12" WASHER		01
04	0503010290	SELF ADJUSTING 1.1/2" UNF NUT		01
05	0503010023	SPRING WASHER 3/4"		08
06	0503010014	HEX NUT 3/4" ZN G.5 (HEAVY) UNC		08
07	0501010125	3/4" X 2-1/2" BOLT		08



Item	Code	Description	See page	QT
01	0503015483	TIRE 600/50-22.5 TL T404 168A8		01
02	0503013045	RIM 20.00X22.5		01
03	0503013999	VALVE 16MM AGR		01



Item	Code	Description	See page	QT
01	0521061354	HITCH BALL FRONT		01
02	0551016939	FLANGE BI-LEAVING		02
03	0501010100	BOLT 5/8" UNC X 2 CS G.5 ZN		06
04	0503010013	HEX NUT 5/8 UNC G.5 ZN		06
05	0503010023	SPRING WASHER 3/4"		08
06	0503010002	GREASE FITTING 1800		01
07	0503010014	HEX NUT 3/4" ZN G.5 (HEAVY) UNC		08
08	0503010027	SPRING WASHER 5/8"		06
09	0501010125	3/4" X 2-1/2" BOLT		08



civemasa

Technical Publications | Elaboration and Revision
DANIELE DA COSTA ANTONIO

www.civemasa.com.br

