

DISK HARROWS

GDMC 40/44/48/52D - PA - AXIS 1.1/4"
GDMC 40/44/48/52D - PA - EIXO 1.1/4"

Code: 0501099058
Series: S-0222
Revision: 00
Revision Date: JULY/2024

PARTS
CATALOGUE

CIVEMASA




PRODUCTS

Code	Working Width	Description
0120900201		GDMC 40 X 22 X 4,50 DR DMO PA E 1.1/4 S-0222
0120900202		GDMC 40X22X4,5 MT DMO PA E 1.1/4 S-0222
0120900203		GDMC 44 X 22 X 3,50 MT DMO PA E 1.1/4 S-0222
0120900204		GDMC 44 X 22 X 4,50 DR DMO PA E 1.1/4 S-0222
0120900205		GDMC 44 X 22 X 4,50 MT DMO PA E 1.1/4 S-0222
0120900206		GDMC 48 X 22 X 3,50 MT DMO PA E 1.1/4 S-0222
0120900208		GDMC 48X22X4,5 MT DMO PA E 1.1/4 S-0222
0120900209		GDMC 52 X 22 X 4,50 DMO DR PA E 1.1/4 S-0222
0120900210		GDMC 52 X 22 X 4,50 DMO E 1.1/4 PA ESP S-0222
0120900211		GDMC 52 X 22 X 4,50 DR DMO PA E 1.1/4 S-0222

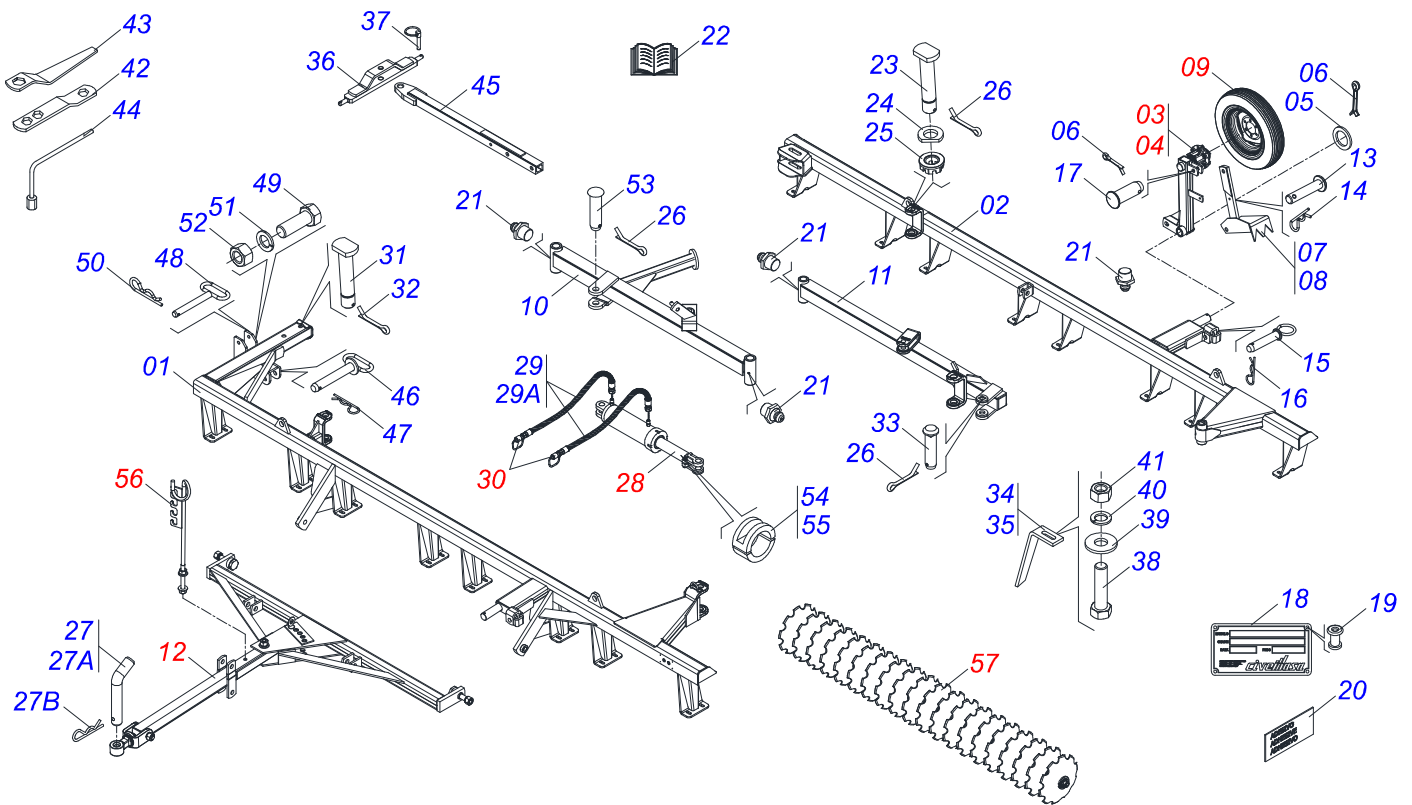
ATTENTION: IMPORTANT

CIVEMASA reserves the right to improve and/or modify the technical features of its products, without obligation to do the same with those products already sold and without prior knowledge of the dealer or the customer. The photos are only illustrative.



INDEX

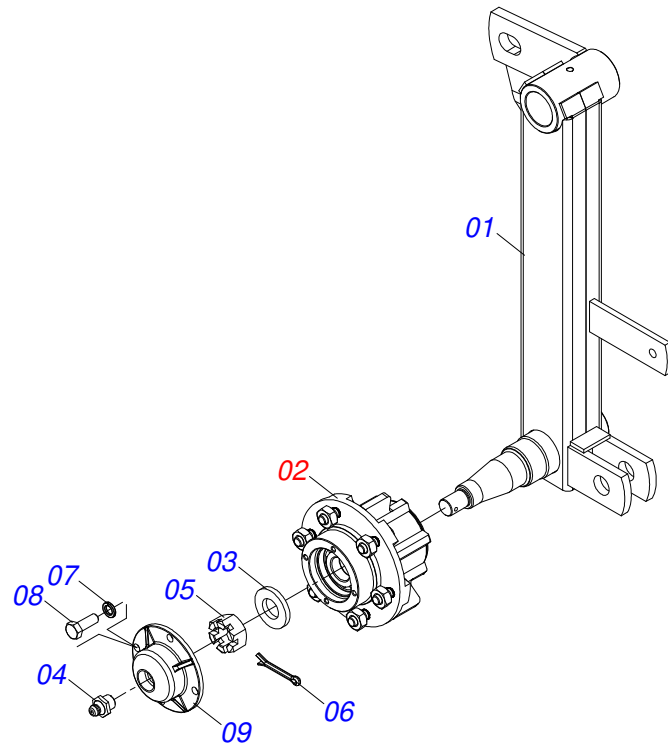
0909097321	FRAME ASSY	1
0501051638	LEFT STUB SHAFT & HUB ASSY	2
0501051637	RIGHT STUB SHAFT & HUB ASSY	3
0501051142	CARRYING WHEEL HUB	4
0503060094	WHEEL AND TIRE ASSY	5
0501043081	DRAWBAR ASSY	6
0501043082	DRAWBAR ASSY	7
0511058459	HYDRAULIC CYLINDER	8
0501053834	MALE QUICK COUPLER	9
0501040257	3/4" X 38" HOSE SUPPORT ASSY	10
0909097322	DISC GANG ASSY	11
0521047189	7.58" X 1.1/4" BEARING WITH PROTECTION	12
0521050842	7.58" X 1.1/4" BEARING	13



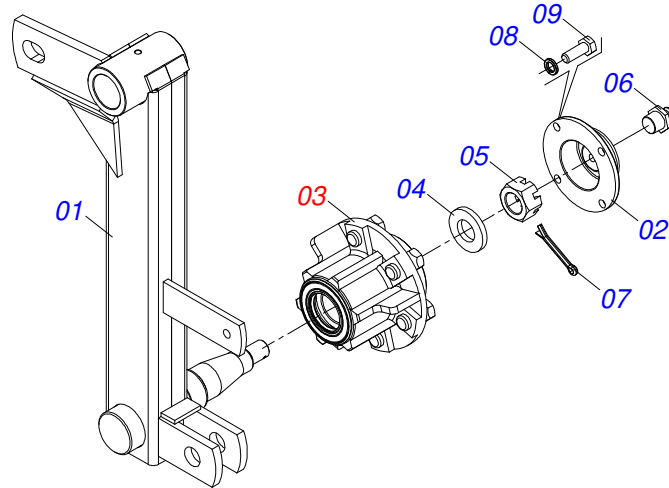
Item	Code	Description	See page	40	44	48	52
01	0521062745	REAR FRAME - 40		01	00	00	00
01.	0521066096	FRONT FRAME - 44		00	01	00	00
01..	0521062638	FRONT FRAME - 48		00	00	01	00
01...	0521065855	REAR FRAME - 52		00	00	00	01
02	0521062746	REAR FRAME - 40		01	00	00	00
02.	0521066097	REAR FRAME - 44		00	01	00	00
02..	0521066098	REAR FRAME - 48		00	00	01	00
02...	0521065856	REAR FRAME - 52		00	00	00	01
03	0501051638	LEFT STUB SHAFT & HUB ASSY	2	01	01	01	01
04	0501051637	RIGHT STUB SHAFT & HUB ASSY	3	01	01	01	01
05	0501015875	FLAT WASHER 53,2/53,7X80X6,3N		02	02	02	02
06	0503010571	1/4" X 1.1/2" SPLIT PIN		02	02	02	02
07	0501060598	DRAWBAR JACK		01	01	01	01
08	0501060597	RIGHT DRAWBAR JACK		01	01	01	01
09	0503060094	WHEEL AND TIRE ASSY	5	02	02	02	02
10	0501064461	FRONT STAB BAR		01	01	01	01
11	0501064462	63" REAR STABILIZER BAR		01	01	01	01
12	0501043081	DRAWBAR ASSY	6	01	01	01	00
12.	0501043082	DRAWBAR ASSY	7	00	00	00	01
13	0521010625	0.4" X 2" COUPLING SHAFT		02	02	02	02
14	0503030168	HITCH PIN CLIP		02	02	02	02
15	0521066143	JUNCTION SHAFT		02	02	02	02
16	0503030012	HITCH PIN CLIP		03	03	03	03
17	0521010592	1.1" X 3.1" COUPLING SHAFT		04	04	04	04
18	0503034004	ALUMINUM IDENTIFICATION DECAL		01	01	01	01
19	0503010001	RIVET 3,2 X 5,5		04	04	04	04
20	0503034280	ADHESIVE		01	01	01	01
20.	0503033404	CIVEMASA BADGE		01	01	01	01
20..	0503031428	ATTENTION READ MANUAL DECAL		01	01	01	01
20...	0503033647	APPROVED DECAL		01	01	01	01
21	0503010002	1800 GREASE FITTING		06	06	06	06
22	0511032928	BAG WITH INSTRUCTION MANUAL		01	01	01	01

FRAME ASSY

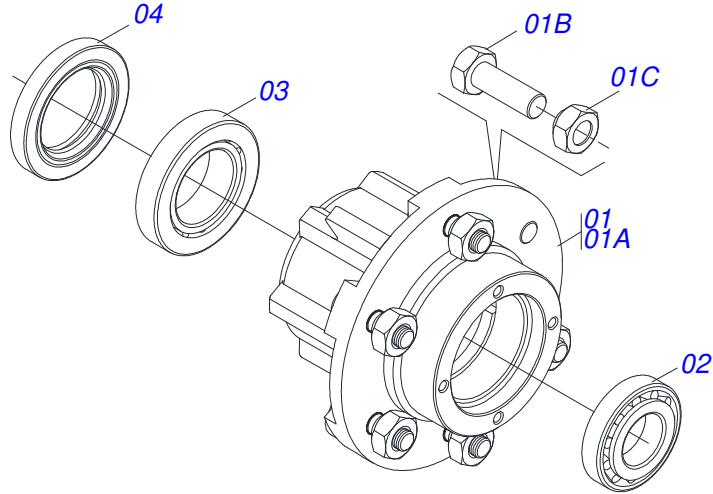
Item	Code	Description	See page	40	44	48	52
23	0531019497	1.5" X 9.2" ARTICULATED AXIS		04	04	04	04
24	0531019540	FLAT WASHER		03	03	03	03
25	0501011301	1.1/2" UNC 6FPP 2.5/16" NUT		04	04	04	04
26	0503010010	1/4" X 2.1/2" SPLIT PIN		06	06	06	06
27	0501040343	HITCH AXIS ASSY		01	01	01	01
27A	0521010453	JOINT AXIS		01	01	01	01
27B	0503031035	HITCH PIN CLIP		01	01	01	01
28	0511058459	HYDRAULIC CYLINDER	8	01	01	01	01
29	0501051049	HOSE KIT		01	01	01	01
29A	0501080363	3/8" X 177" TR-TM HOSE		02	02	02	02
30	0501053834	MALE QUICK COUPLER	9	02	02	02	02
31	0521010644	1.5" X 8.4" COUPLING SHAFT		01	01	01	01
32	0503010534	3/8" X 2.1/2" SPLIT PIN		01	01	01	01
33	0521013077	1.2" X 5.7" PIVOT SHAFT		01	01	01	01
34	0501063963	FRONT SCRAPER		13	13	15	17
35	0501063962	REAR SCRAPER		13	13	15	17
36	0521062443	BAR FOR TRANSPORT		01	01	01	01
37	0503030430	7/16 X 2" PIN LOCK		02	02	02	02
38	0503011082	C1/2" X 1.3/4" SCREW		52	52	60	68
39	0511017302	FLAT WASHER 13,50 X 32,50 X 3,0 ZN		52	52	60	68
40	0503010019	1/2" SPRING WASHER		52	52	60	68
41	0503010060	1/2 UNC G.5 ZN HEX NUT		52	52	60	68
42	0511018451	5/8" X 3/4" X 1" UNIVERSAL		01	01	01	01
43	0501010198	1-1/4" CABLE FLAT WRENCH		02	02	02	02
44	0501068273	5/8" WRENCH		02	02	02	02
45	0531068973	TRACTION BAR FOR HYDRAULIC TRANSPORTATION 1412		01	01	01	01
46	0521067644	JUNCTION SHAFT 25,40 X 140		01	01	01	01
47	0503030012	HITCH PIN CLIP		01	01	01	01
48	0521064088	LOCK AXLE		01	01	01	01
49	0501010372	1" X 5-1/2" BOLT		01	01	01	01
50	0503031035	HITCH PIN CLIP		01	01	01	01
51	0503010012	1" SPRING WASHER		01	01	01	01
52	0503012182	1" NUT		01	01	01	01
53	0521010544	1.2" X 4.9" COUPLING SHAFT		01	01	01	01
54	0501047895	25 ROD STOP		06	06	06	06
55	0501047885	30 ROD STOP		04	04	04	04
56	0501040257	3/4" X 38" HOSE SUPPORT ASSY	10	01	01	01	01
57		DISC GANG ASSY	11				



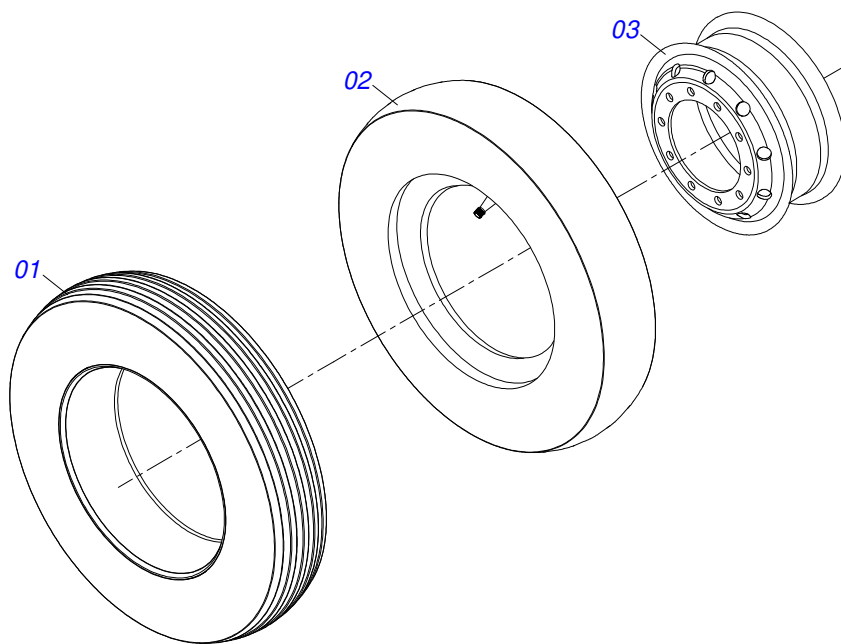
Item	Code	Description	See page	QT
01	0501069091	LEFT CARRYING-W FIXATION SUPPORT		01
02	0501051142	CARRYING WHEEL HUB	4	01
03	0501016545	FLAT WASHER		01
04	0503010002	1800 GREASE FITTING		01
05	0503030009	1" CASTLE NUT		01
06	0503010018	5/32" X 1-1/2" SPLIT PIN		01
07	0503011444	SPRING WASHER 5/16"		04
08	0503010358	5/16" X 5/8" BOLT		04
09	0502020591	PROTECTION LID		01



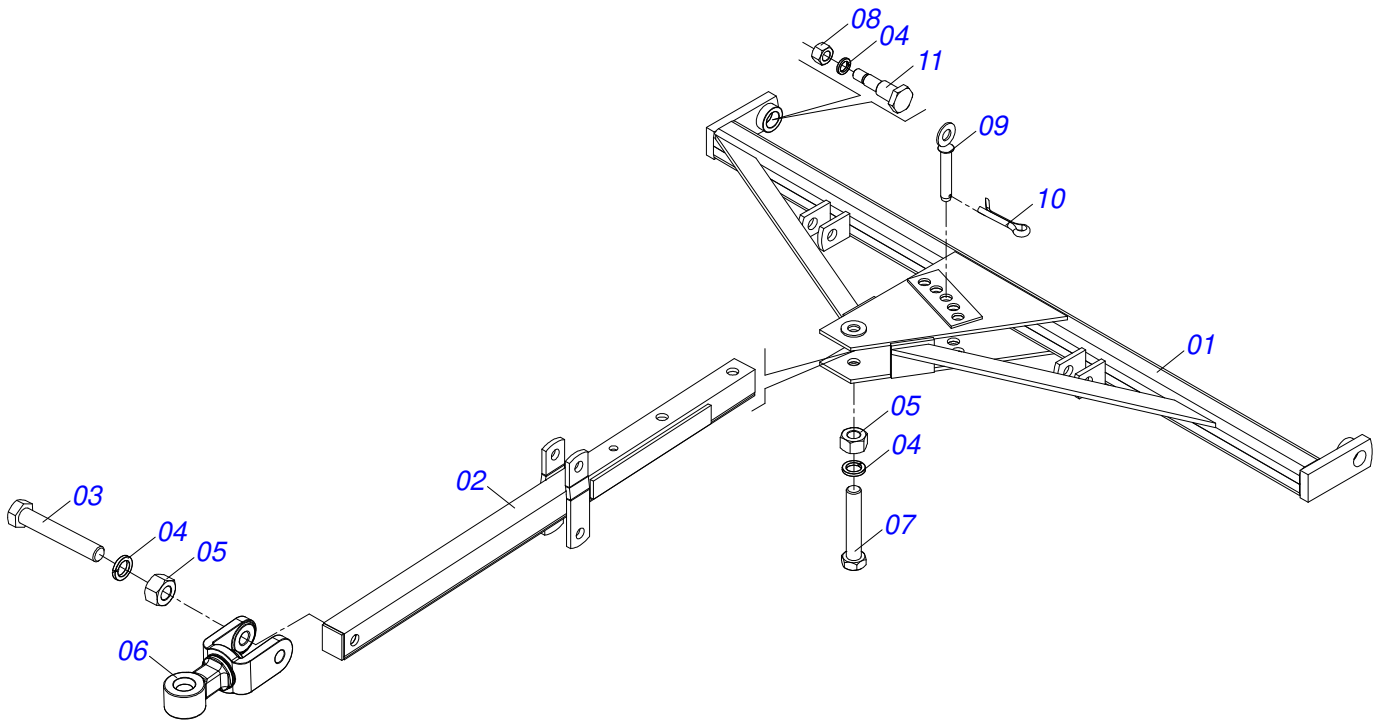
Item	Code	Description	See page	QT
01	0501068991	RIG CARRYING-WHEEL FIXATION SUPPORT		01
02	0502020591	PROTECTION LID		01
03	0501051142	CARRYING WHEEL HUB	4	01
04	0501016545	FLAT WASHER		01
05	0503030009	1" CASTLE NUT		01
06	0503010002	1800 GREASE FITTING		01
07	0503010018	5/32" X 1-1/2" SPLIT PIN		01
08	0503011444	SPRING WASHER 5/16"		04
09	0503010358	5/16" X 5/8" BOLT		04



Item	Code	Description	See page	QT
01	0501110728	WHEEL HUB		01
01A	0502011121	CARRYING WHEEL HUB		01
01B	0501010127	9/16" X 1-7/8" LUG BOLT		06
01C	0503010035	9/16" CONIC NUT		06
02	0503010037	30207 ROLLER BEARING		01
03	0503010006	32210 ROLLER BEARING		01
04	0503012928	SEAL		01

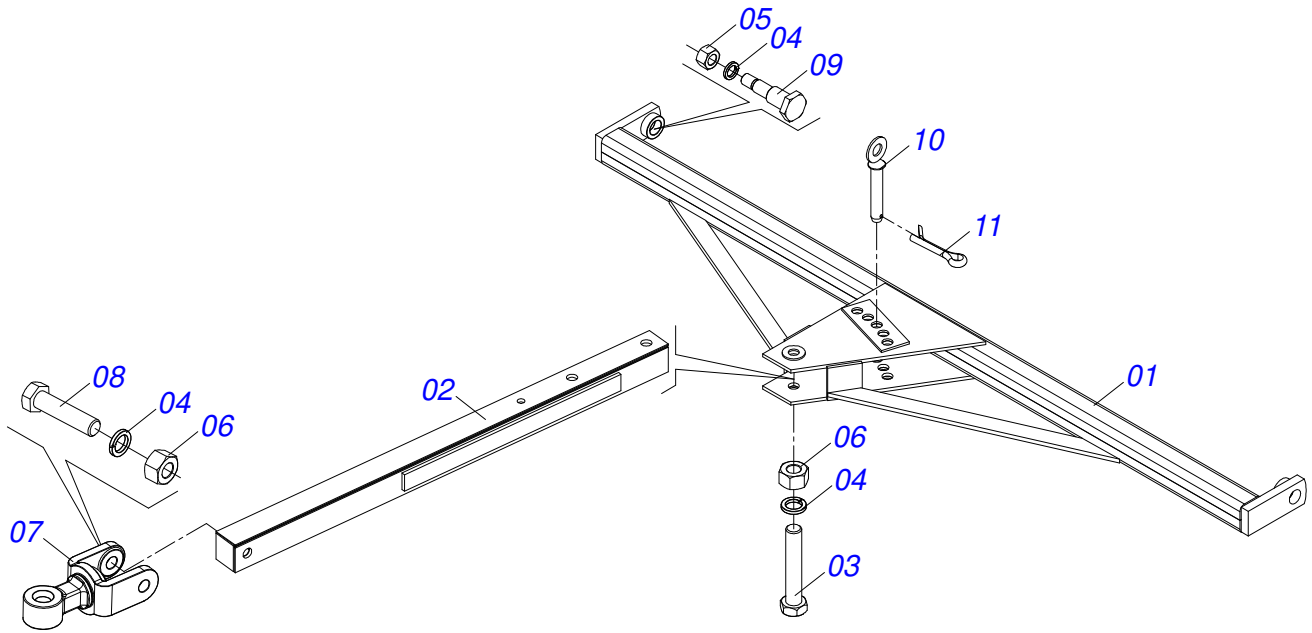


Item	Code	Description	See page	QT
01	0503010065	CANVAS TIRE		01
02	0503010068	6.00 X 16 INNER TIRE		01
03	0503010894	0.2"X0.6"X4.6"X6F0.6"X6" WHEEL		01

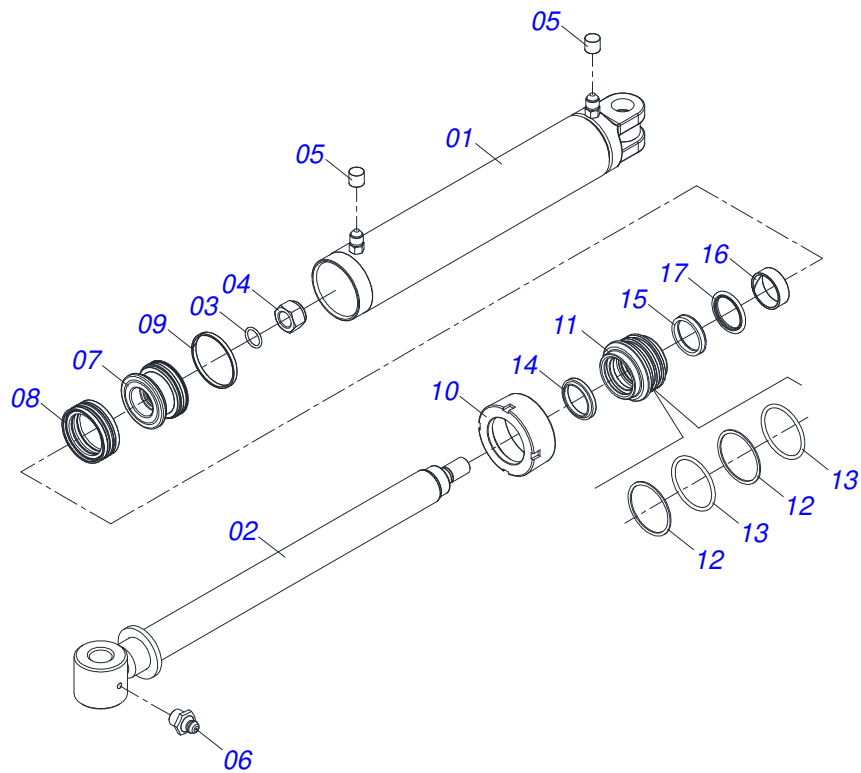


Item	Code	Description	See page	QT
01	0501064919	OFFSET BAR FOR TRANSP HYDRAULIC		01
02	0501064878	DRAWBAR ASSY		01
03	0501010372	1" X 5-1/2" BOLT		01
04	0503011438	SPRING WASHER		04
05	0501010059	1.5/8 NUT		02
06	0521062444	TRACTOR HITCH		01
07	0501010191	1" X 6" BOLT		01
08	0503010340	1" NUT		02
09	0501068993	0.9" X 5.5" COUPLING SHAFT		01
10	0503010571	1/4" X 1.1/2" SPLIT PIN		01
11	0501018191	HITCH BAR BOLT		02

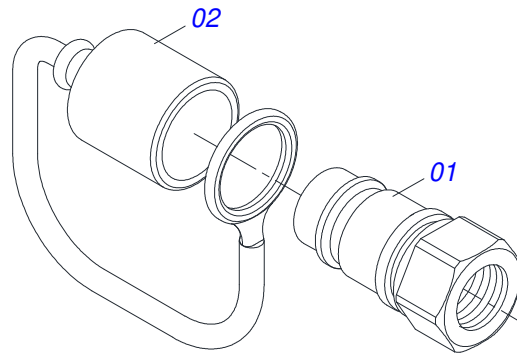
DRAWBAR ASSY



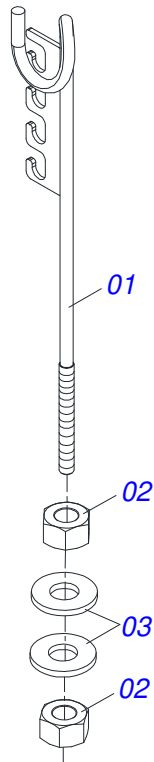
Item	Code	Description	See page	QT
01	0501064920	89.4" OFFSET BAR		01
02	0501060188	DRAWBAR ASSY		01
03	0501010191	1" X 6" BOLT		01
04	0503010012	1" SPRING WASHER		04
05	0503010340	1" NUT		02
06	0501010059	1.5/8 NUT		02
07	0521061775	TRACTOR HITCH		01
08	0501010060	1" X 6-1/2" BOLT		01
09	0501018191	HITCH BAR BOLT		02
10	0501068993	0.9" X 5.5" COUPLING SHAFT		01
11	0503010523	1/4 X 2 SPLIT PIN		01



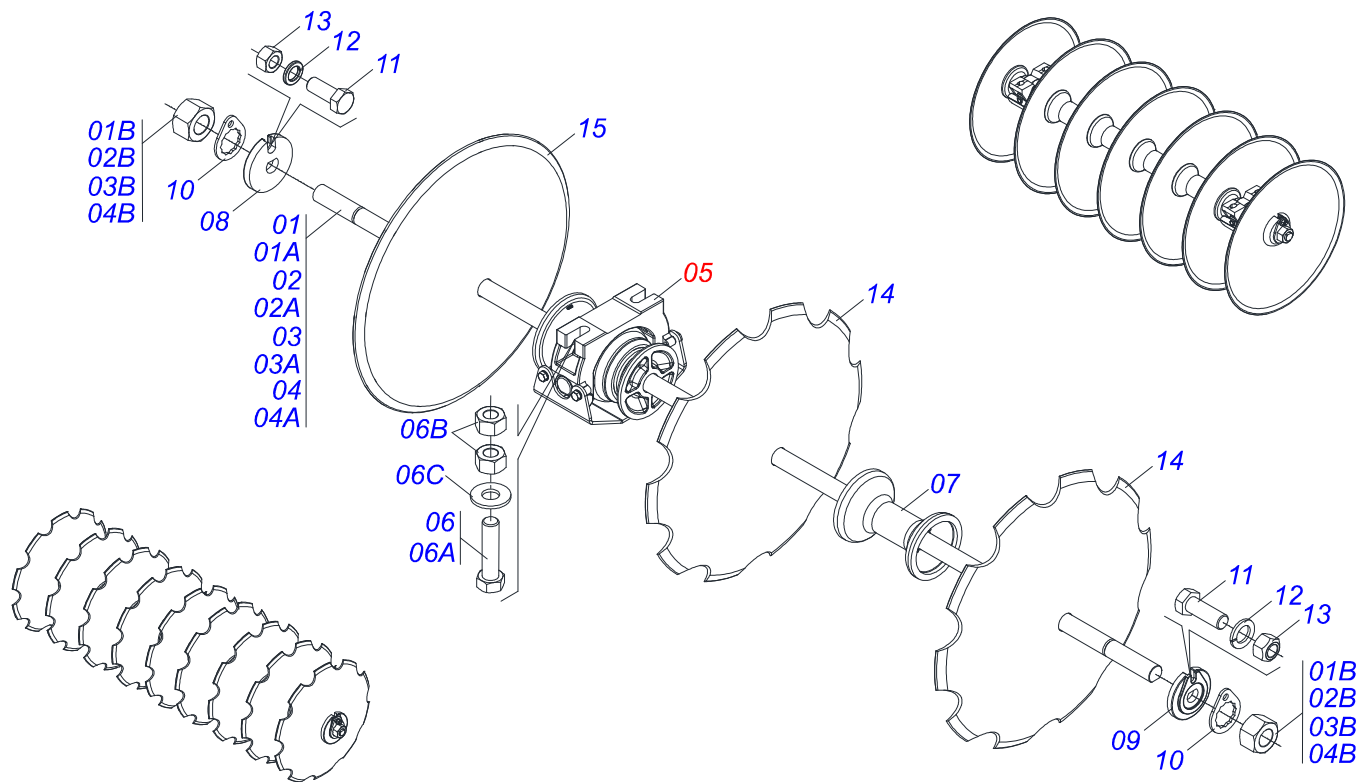
Item	Code	Description	See page	QT
01	0521061064	85,72 X 510 CYLINDER CASE		01
02	0521067533	50,80 X 697 EXTENSOR		01
03	0503010042	2-214 N 3006-9B O'RING		01
04	0503010063	1" SELF-ALIGNING NUT		01
05	0503030385	CYLINDER PLUG N-002		02
06	0503010002	1800 GREASE FITTING		02
07	0571019710	1.7" X 3.4" PISTON		01
08	0503017935	RING		01
09	0503018144	RING		01
10	0581013227	85,72 MOVEEL COVER		01
11	0581013228	50,80 X 85,72 SUPPORT RINGS		01
12	0503017940	8-337 BACK-UP RING		02
13	0503017939	2-337 N 3006-9B O' RING		02
14	0503010039	D-2000 SCRAPER RING		01
15	0503018026	GASKET 1870-2000-375 B POLYMAX		01
16	0503018025	RING GUIDE W2-2250-750		01
17	0503018024	RING BS OD050805200171D-BR		01



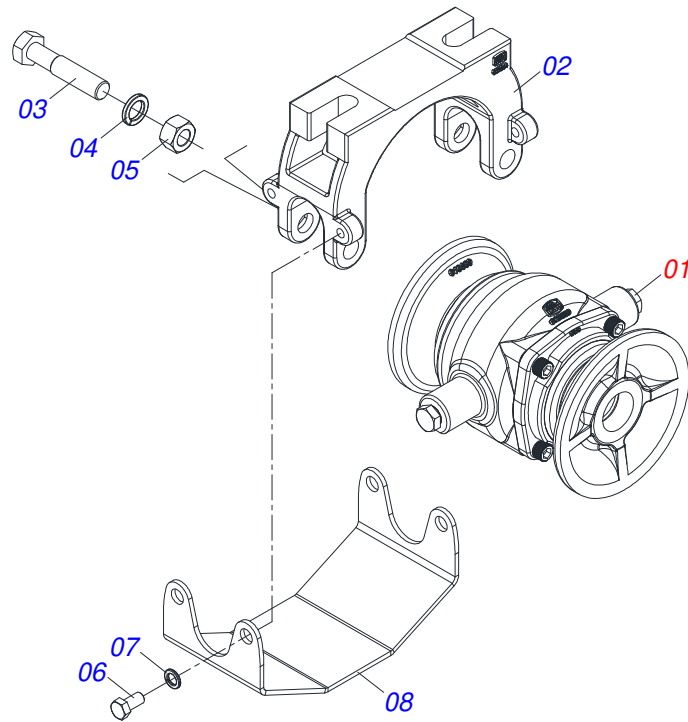
Item	Code	Description	See page	QT
01	0503011627	MALE QUICK COUPLER AGR 1/2 NPT		01
02	0503011882	MALE QUICK COUPLER CAP		01



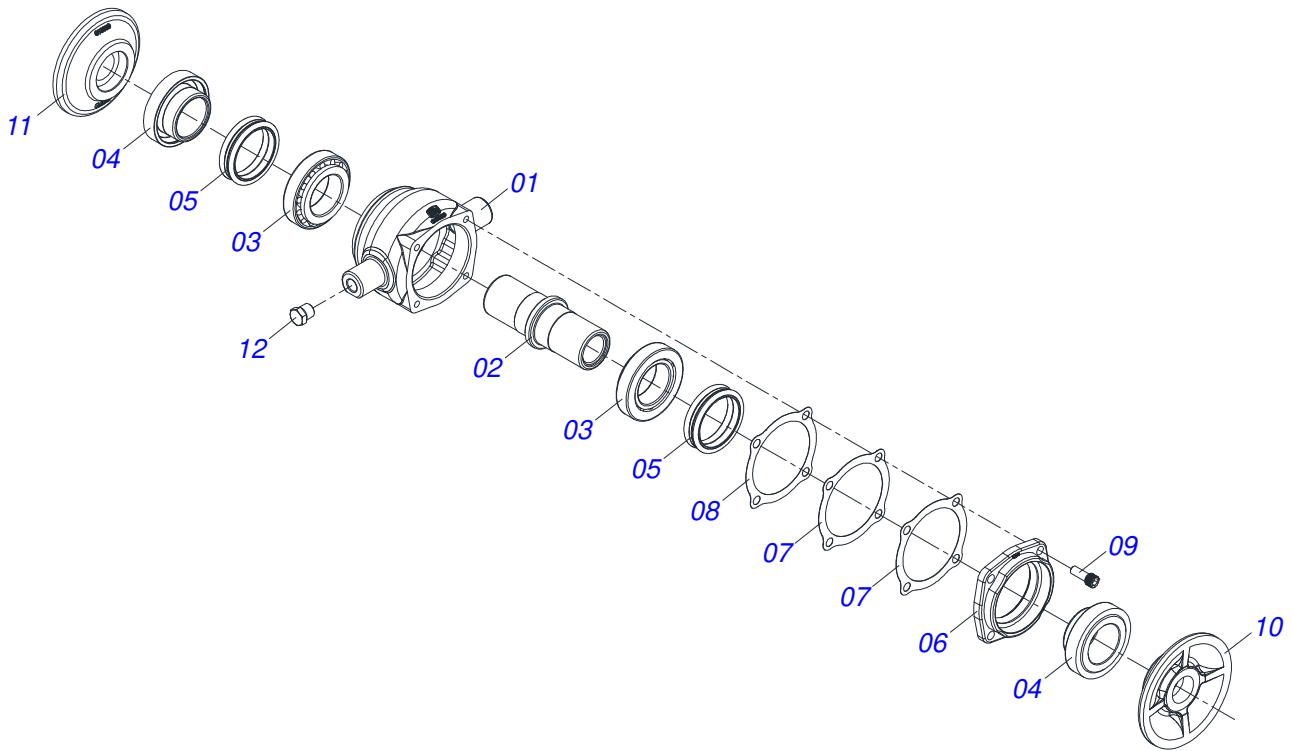
Item	Code	Description	See page	QT
01	0511067334	HOSE SUPPORT		01
02	0503010014	3/4" ZN G.5 (HEAVY) UNC HEX NUT		02
03	0501010322	20,50 X 46 X 4,00 ZN FLAT WASHER		02



Item	Code	Description	See page	40	44	48	52
01	0501042947	1-1/4" X 74" AXLE WITH NUTS		04	00	00	00
01A	0501017377	1-1/4" X 74" AXLE		01	00	00	00
01B	0501010087	1.1/4" NUT		02	00	00	00
02	0501042262	1-1/4" X 35" AXLE WITH NUTS		00	04	00	00
02A	0501016647	1-1/4" X 35" AXLE		00	01	00	00
02B	0501010087	1.1/4" NUT		00	02	00	00
03	0501042201	1.1/4" X 1090 AXLE WITH NUTS		00	04	04	04
03A	0501016649	1.1/4" X 1090 AXLE		00	01	01	01
03B	0501010087	1.1/4" NUT		00	02	02	02
04	0501042202	1-1/4" X 50" AXLE WITH NUTS		00	00	00	04
04A	0501016650	1-1/4" X 50" AXLE		00	00	00	01
04B	0501010087	1.1/4" NUT		00	00	00	02
05	0521047189	7.58" X 1.1/4" BEARING WITH PROTECTION	12	12	16	08	16
06	0521059224	BOLT ASSEMBLY 5/8 UNC X 2.3/4		24	32	16	32
06A	0501013233	5/8" X 2-3/4" BOLT		01	01	01	01
06B	0503010013	5/8 UNC G.5 ZN HEX NUT		02	02	02	02
06C	0501012140	FLAT WASHER 16,50 X 40 X 4,00 ZN		01	01	01	01
07	0502010549	7.6" X 1-1/4" SPACER		24	20	12	28
08	0502010834	1-1/4" INNER AXLE WASHER		04	08	04	08
09	0502010835	1-1/4" EXTERNAL AXLE WASHER		04	08	04	08
10	0501010455	1.1/4" NUT LOCK		08	16	08	16
11	0503010395	1/2" X 1-1/4" BOLT		08	16	08	16
12	0503010019	1/2" SPRING WASHER		08	16	08	16
13	0503010060	1/2 UNC G.5 ZN HEX NUT		08	16	18	16
14	0602027340	DR 20 X 3,50 C57AF02FR1.5/16 10R		40	44	48	52
14.	0602029420	DR 22 X 3,50 C64AF02FR1.5/16 D126 10R		40	44	48	52
14..	0602027342	DR 20 X 4,50 C57AF02FR1.5/16 10R		40	44	48	52
14...	0602029421	DR 22 X 4,50 C64AF02FR1.5/16 10R		40	44	48	52
15	0601027301	DL 20 X 3,50 C57AF02FR1.5/16		40	44	48	52
15.	0601029418	DL 22 X 3,50 C64AF02FR1.5/16 D126		40	44	48	52
15..	0601027304	DL 20 X 4,50 C57AF02FR1.5/16		40	44	48	52
15...	0601027309	DL20X4 C53AFPAFR1.5/16 TATU		40	44	48	52



Item	Code	Description	See page	QT
01	0521050842	7.58" X 1.1/4" BEARING	13	01
02	0502012854	BEARING SUPPORT 182/192,5		01
03	0501011541	5/8 UNC X 3 CS G.5 ZN1K28066 BOLT		02
04	0503010027	5/8 SPRING WASHER		02
05	0503010013	5/8 UNC G.5 ZN HEX NUT		02
06	0503011334	3/8 UNC X 3/4 CS G.5 ZN BOLT		04
07	0503010025	3/8" SPRING WASHER		04
08	0581014143	SWIVEL OIL BATH BEARING WEAR PLATE		01



Item	Code	Description	See page	QT
01	0502012839	BEARING HOUSING 182/192,5		01
02	0502040060	AXLE CM/DM 182/192,5 SKF 32210		01
03	0503010006	32210 ROLLER BEARING		02
04	0502010541	SEAL HOLDER		02
05	0503030026	SEAL LP JB-253		02
06	0502020424	HOUSING CAP 182/192,225		01
07	0503030013	4.4" X 3.5" X 0.004" JOINT		02
08	0503030684	4.4" X 3.5" X 0.004" JOINT		01
09	0503010134	3/8" X 1" BOLT		04
10	0502010070	OUTER FLANGE		01
11	0502010071	INNER FLANGE		01
12	0503010856	OIL PLUG R 3/8 BSPT		02



civemasa

Technical Publications | Elaboration and Revision
LUIZ CANDIDO

www.civemasa.com.br

