

**DISK HARROWS**

**GDC - 36/40/44/48/52D - PA - 1.1/4" SHAFT**  
**GDC - 36/40/44/48/52D - PA - EIXO 1.1/4"**

**Code:** 0501099056  
**Series:** S-0222  
**Revision:** 00  
**Revision Date:** JUNE/2024

**PARTS**  
**CATALOGUE**

***CIVEMASA***




# PRODUCTS

Code	Working Width	Description
0120720202		GDC 36 X 22 X 4,50 MT DMO PA E 1.1/4 S-0222
0120720204		GDC 40 X 22 X 3,50 MT DMO PA E 1.1/4 S-0222
0120720205		GDC 40 X 22 X 4,50 MT DMO PA E 1.1/4 S-0222
0120720207		GDC 44 X 22 X 3,50 MT DMO PA E 1.1/4 S-0222
0120720208		GDC 44 X 22 X 4,50 DR DMO PA E 1.1/4 S-0222
0120720209		GDC 44 X 22 X 4,50 MT DMO PA E 1.1/4 S-0222
0120720211		GDC 48 X 22 X 3,50 MT DMO PA E 1.1/4 S-0222
0120720212		GDC 48 X 22 X 4,50 DR DMO PA E 1.1/4 S-0222
0120720213		GDC 48 X 22 X 4,50 MT DMO PA E 1.1/4 S-0222
0120720214		GDC 48 X 24 X 4,75 MT DMO PA E 1.1/4 S-0222
0120720215		GDC 52 X 22 X 3,50 MT DMO PA E 1.1/4 S-0222
0120720217		GDC 52 X 22 X 4,50 DR DMO PA E 1.1/4 ESP S-0222
0120720218		GDC 52 X 22 X 4,50 DR DMO PA E 1.1/4 S-0222

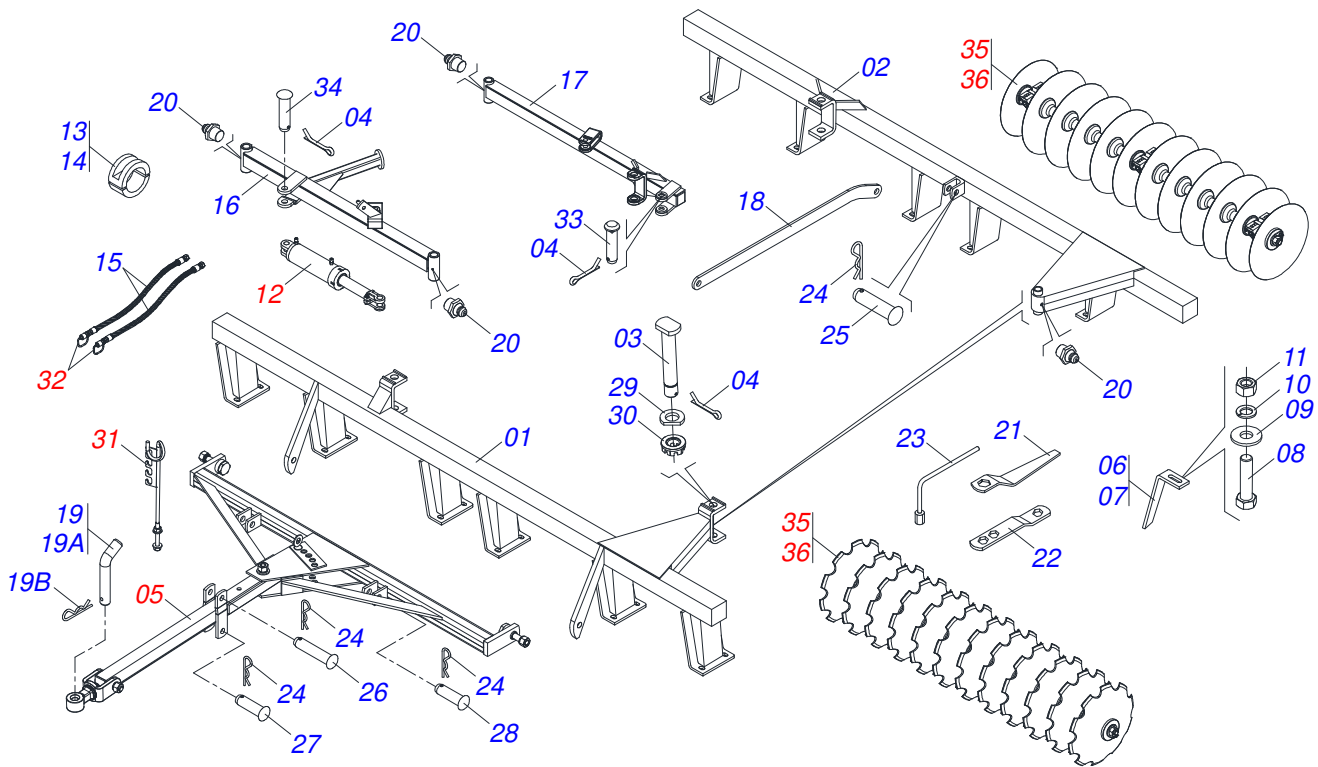
## ATTENTION: IMPORTANT

CIVEMASA reserves the right to improve and/or modify the technical features of its products, without obligation to do the same with those products already sold and without prior knowledge of the dealer or the customer. The photos are only illustrative.



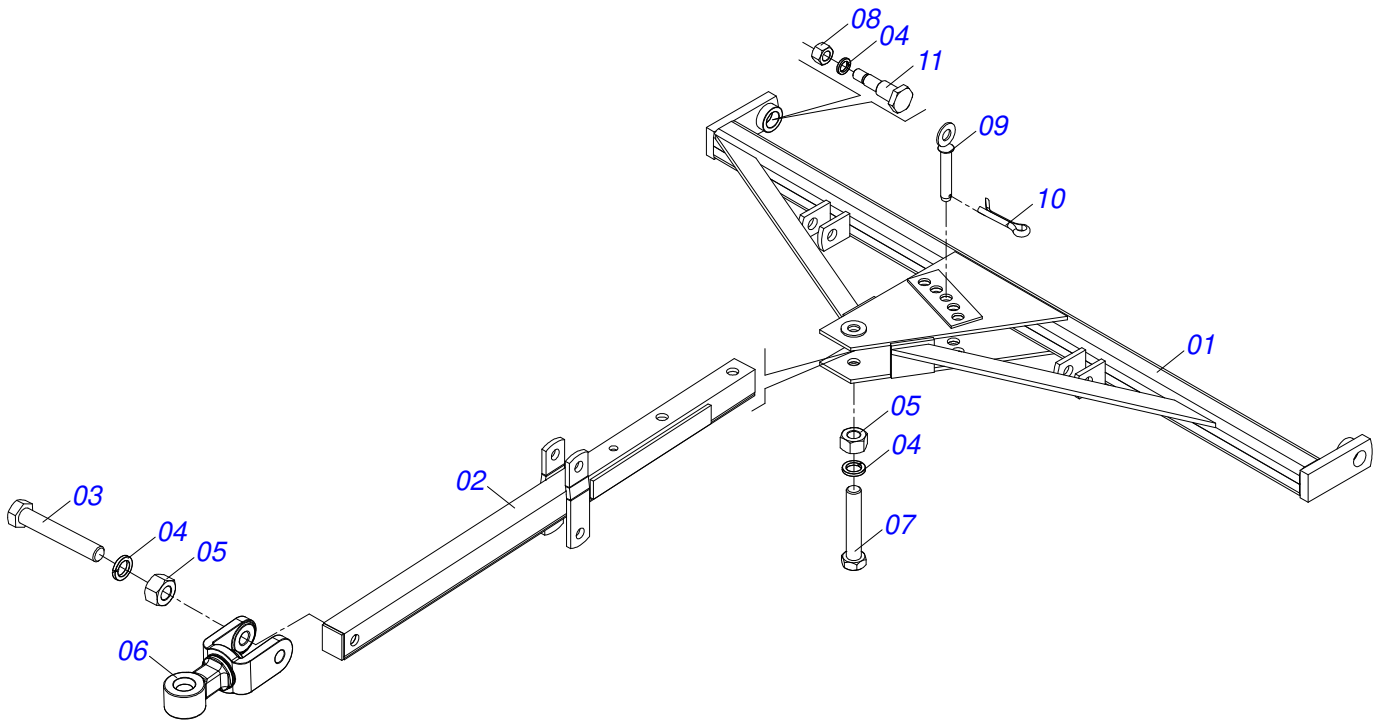
# INDEX

0909097264	FRAME ASSY - 36/40/44/48D	.....	1
0501043081	DRAWBAR ASSY	.....	2
0909097265	FRAME ASSY - 52D	.....	3
0501043082	DRAWBAR ASSY	.....	4
0511058459	HYDRAULIC CYLINDER	.....	5
0501040257	3/4" X 38" HOSE SUPPORT ASSY	.....	6
0501053834	MALE QUICK COUPLER	.....	7
0909097266	DISC GANG - 36/40/44/48/52D (MIXED DISCS)	.....	8
0909097267	DISC GANG - 44/48/52D (NOTCHED DISCS)	.....	9
0521047189	7.58" X 1.1/4" BEARING WITH PROTECTION	.....	10
0521050842	7.58" X 1.1/4" BEARING	.....	11

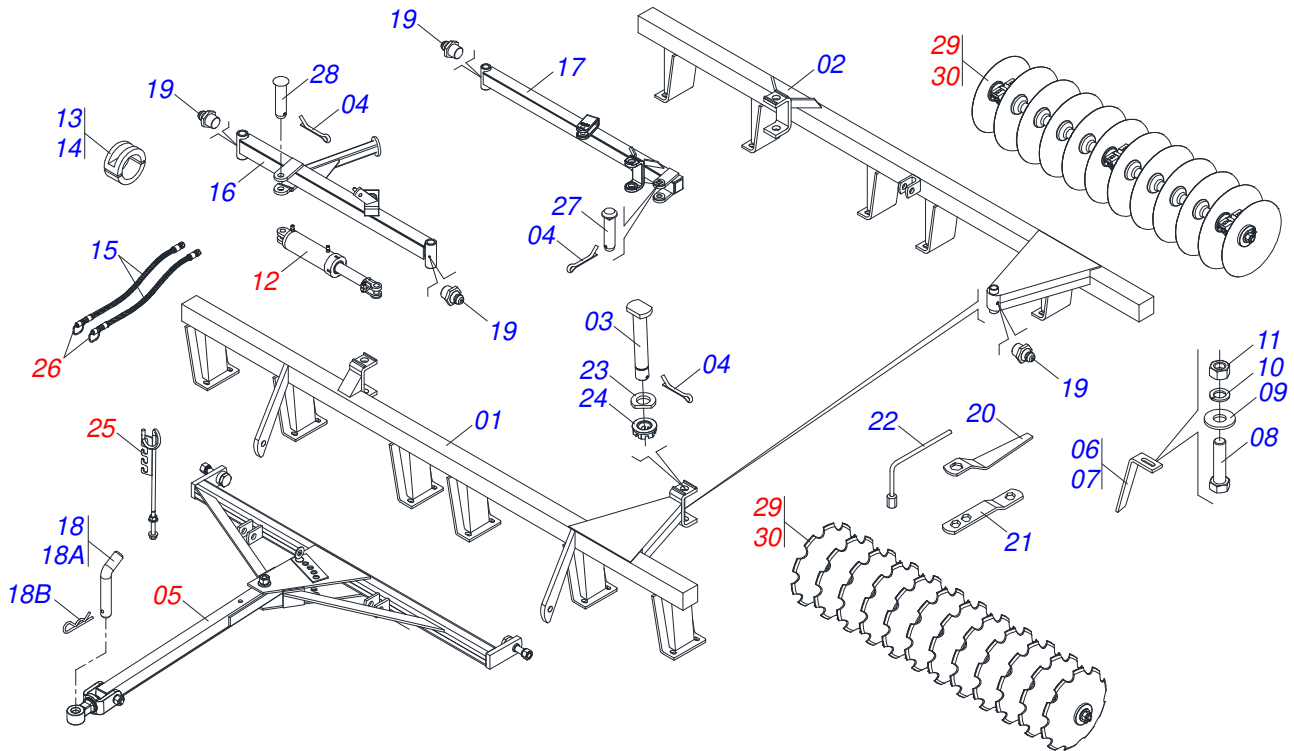


Item	Code	Description	See page	36	40	44	48
01	0521063272	FRONT FRAME 36		01	00	00	00
01.	0521063274	FRONT FRAME 40		00	01	00	00
01..	0521063247	FRONT FRAME 44		00	00	01	00
01...	0521062896	FRONT FRAME 48		00	00	00	01
02	0521063271	REAR FRAME 36		01	00	00	00
02.	0521063275	REAR FRAME 40		00	01	00	00
02..	0521063246	REAR FRAME 44		00	00	01	00
02...	0521062897	REAR FRAME 48		00	00	00	01
03	0531019497	1.5" X 9.2" ARTICULATED AXIS		04	04	04	04
04	0503010010	1/4" X 2.1/2" SPLIT PIN		06	06	06	06
05	0501043081	DRAWBAR ASSY	2	01	01	01	01
06	0501063963	FRONT SCRAPER		11	13	13	15
07	0501063962	REAR SCRAPER		11	13	13	15
08	0503011082	C1/2" X 1.3/4" SCREW		44	52	52	60
09	0511017302	FLAT WASHER 13,50 X 32,50 X 3,0 ZN		44	52	52	60
10	0503010019	1/2" SPRING WASHER		44	52	52	60
11	0503010060	1/2 UNC G.5 ZN HEX NUT		44	52	52	60
12	0511058459	HYDRAULIC CYLINDER	5	01	01	01	01
13	0501047895	25 ROD STOP		06	06	06	06
14	0501047885	30 ROD STOP		04	04	04	04
15	0501080363	3/8" X 177" TR-TM HOSE		02	02	02	02
16	0501064461	FRONT STAB BAR		01	01	01	01
17	0501064462	63" REAR STABILIZER BAR		01	01	01	01
18	0501018945	45" ATTACHMENT BAR		01	01	01	01
19	0501040343	HITCH AXIS ASSY		01	01	01	01
19A	0521010453	JOINT AXIS		01	01	01	01
19B	0503031035	HITCH PIN CLIP		01	01	01	01
20	0503010002	1800 GREASE FITTING		04	04	04	04
21	0501010198	1-1/4" CABLE FLAT WRENCH		02	02	02	02
22	0511018451	5/8" X 3/4" X 1" UNIVERSAL		01	01	01	01
23	0501068273	5/8" WRENCH		01	01	01	01
24	0503031035	HITCH PIN CLIP		05	05	05	05

<b>Item</b>	<b>Code</b>	<b>Description</b>	<b>See page</b>	<b>36</b>	<b>40</b>	<b>44</b>	<b>48</b>
25	0521010573	0.9" X 3.1" COUPLING SHAFT		01	01	01	01
26	0521010578	COUPLING SHAFT		01	01	01	01
27	0521010579	COUPLING SHAFT		01	01	01	01
28	0521010595	1.1" X 4.3" COUPLING SHAFT		02	02	02	02
29	0531019540	FLAT WASHER		04	04	04	04
30	0501011301	1.1/2" UNC 6FPP 2.5/16" NUT		04	04	04	04
31	0501040257	3/4" X 38" HOSE SUPPORT ASSY	6	01	01	01	01
32	0501053834	MALE QUICK COUPLER	7	02	02	02	02
33	0521013077	1.2" X 5.7" PIVOT SHAFT		01	01	01	01
34	0521010544	1.2" X 4.9" COUPLING SHAFT		02	02	02	02
35		DISC GANG - 36/40/44/48/52D (MIXED DISCS)	8				
36		DISC GANG - 44/48/52D (NOTCHED DISCS)	9				

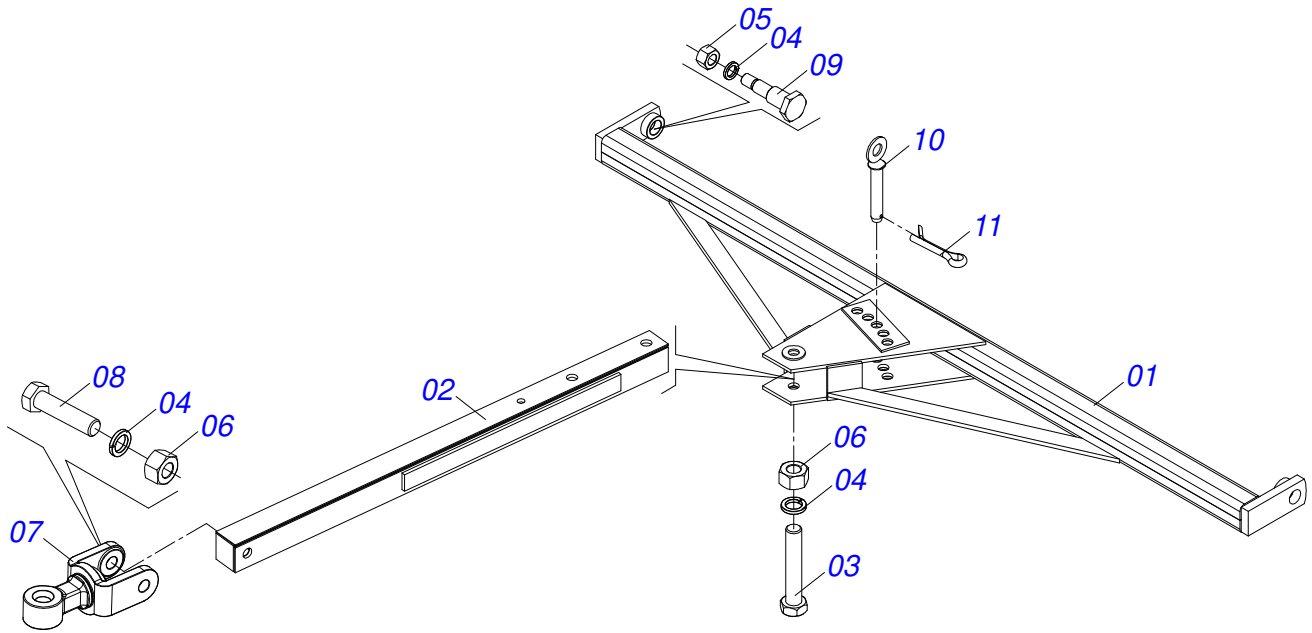


Item	Code	Description	See page	QT
01	0501064919	OFFSET BAR FOR TRANSP HYDRAULIC		01
02	0501064878	DRAWBAR ASSY		01
03	0501010372	1" X 5-1/2" BOLT		01
04	0503011438	SPRING WASHER		04
05	0501010059	1.5/8 NUT		02
06	0521062444	TRACTOR HITCH		01
07	0501010191	1" X 6" BOLT		01
08	0503010340	1" NUT		02
09	0501068993	0.9" X 5.5" COUPLING SHAFT		01
10	0503010571	1/4" X 1.1/2" SPLIT PIN		01
11	0501018191	HITCH BAR BOLT		02



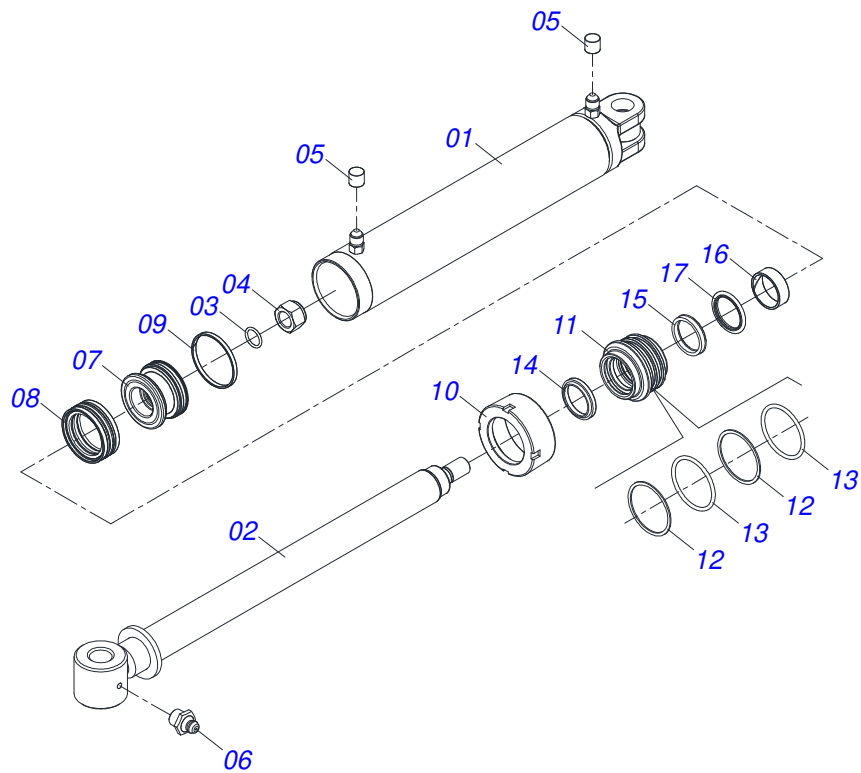
Item	Code	Description	See page	QT
01	0531060680	FRONT FRAME 52		01
02	0531060681	REAR FRAME 52		01
03	0531019497	1.5" X 9.2" ARTICULATED AXIS		04
04	0503010010	1/4" X 2.1/2" SPLIT PIN		06
05	0501043082	DRAWBAR ASSY	4	01
06	0501063963	FRONT SCRAPER		17
07	0501063962	REAR SCRAPER		17
08	0503011082	C1/2" X 1.3/4" SCREW		68
09	0511017302	FLAT WASHER 13,50 X 32,50 X 3,0 ZN		68
10	0503010019	1/2" SPRING WASHER		68
11	0503010060	1/2 UNC G.5 ZN HEX NUT		68
12	0511058459	HYDRAULIC CYLINDER	5	01
13	0501047895	25 ROD STOP		06
14	0501047885	30 ROD STOP		04
15	0501080363	3/8" X 177" TR-TM HOSE		02
16	0501064461	FRONT STAB BAR		01
17	0501064462	63" REAR STABILIZER BAR		01
18	0501040343	HITCH AXIS ASSY		01
18A	0521010453	JOINT AXIS		01
18B	0503031035	HITCH PIN CLIP		01
19	0503010002	1800 GREASE FITTING		04
20	0501010198	1-1/4" CABLE FLAT WRENCH		02
21	0511018451	5/8" X 3/4" X 1" UNIVERSAL		01
22	0501068273	5/8" WRENCH		01
23	0531019540	FLAT WASHER		04
24	0501011301	1.1/2" UNC 6FPP 2.5/16" NUT		04
25	0501040257	3/4" X 38" HOSE SUPPORT ASSY	6	01
26	0501053834	MALE QUICK COUPLER	7	02
27	0521013077	1.2" X 5.7" PIVOT SHAFT		01
28	0521010544	1.2" X 4.9" COUPLING SHAFT		02
29		DISC GANG - 36/40/44/48/52D (MIXED DISCS)	8	
30		DISC GANG - 44/48/52D (NOTCHED DISCS)	9	

**DRAWBAR ASSY**

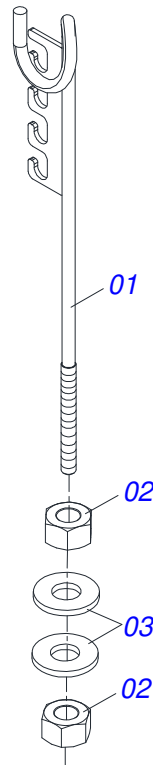


Item	Code	Description	See page	QT
01	0501064920	89.4" OFFSET BAR		01
02	0501060188	DRAWBAR ASSY		01
03	0501010191	1" X 6" BOLT		01
04	0503010012	1" SPRING WASHER		04
05	0503010340	1" NUT		02
06	0501010059	1.5/8 NUT		02
07	0521061775	TRACTOR HITCH		01
08	0501010060	1" X 6-1/2" BOLT		01
09	0501018191	HITCH BAR BOLT		02
10	0501068993	0.9" X 5.5" COUPLING SHAFT		01
11	0503010523	1/4 X 2 SPLIT PIN		01

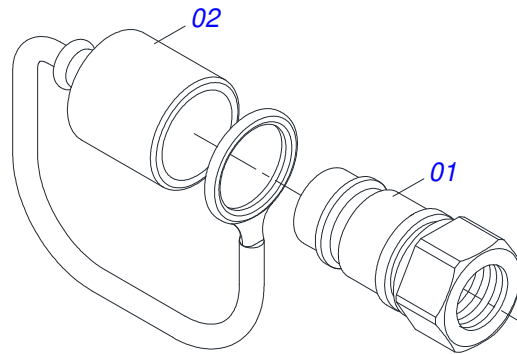




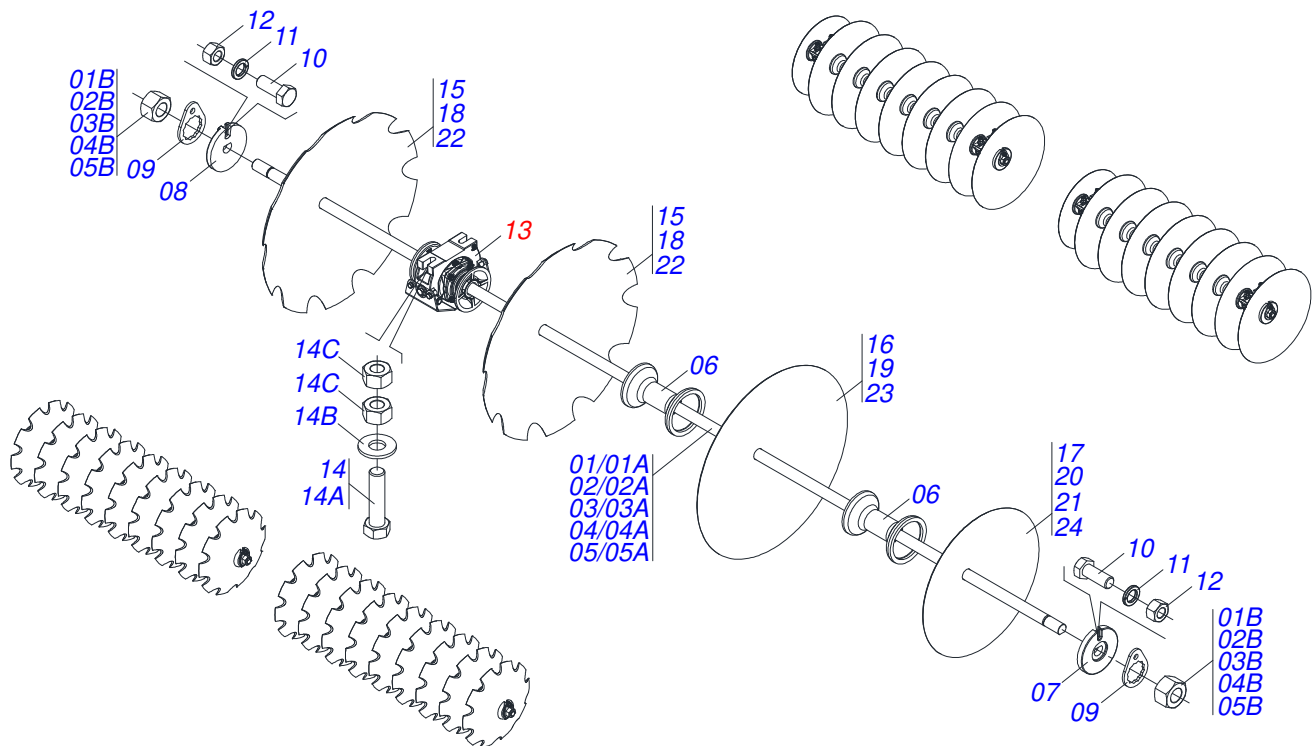
Item	Code	Description	See page	QT
01	0521061064	85,72 X 510 CYLINDER CASE		01
02	0521067533	50,80 X 697 EXTENSOR		01
03	0503010042	2-214 N 3006-9B O'RING		01
04	0503010063	1" SELF-ALIGNING NUT		01
05	0503030385	CYLINDER PLUG N-002		02
06	0503010002	1800 GREASE FITTING		02
07	0571019710	1.7" X 3.4" PISTON		01
08	0503017935	RING		01
09	0503018144	RING		01
10	0581013227	85,72 MOVEEL COVER		01
11	0581013228	50,80 X 85,72 SUPPORT RINGS		01
12	0503017940	8-337 BACK-UP RING		02
13	0503017939	2-337 N 3006-9B O' RING		02
14	0503010039	D-2000 SCRAPER RING		01
15	0503018026	GASKET 1870-2000-375 B POLYMAX		01
16	0503018025	RING GUIDE W2-2250-750		01
17	0503018024	RING BS OD050805200171D-BR		01



Item	Code	Description	See page	QT
01	0511067334	HOSE SUPPORT		01
02	0503010014	3/4" ZN G.5 (HEAVY) UNC HEX NUT		02
03	0501010322	20,50 X 46 X 4,00 ZN FLAT WASHER		02

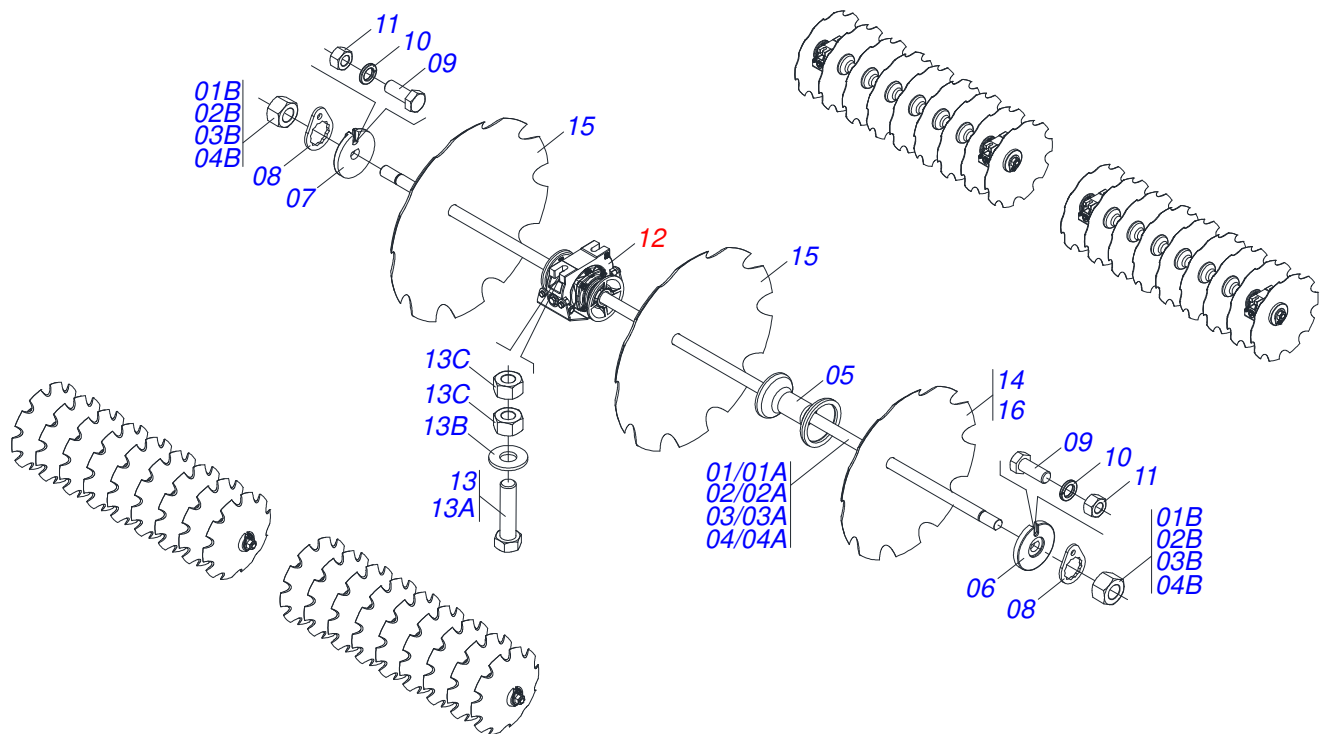


Item	Code	Description	See page	QT
01	0503011627	MALE QUICK COUPLER AGR 1/2 NPT		01
02	0503011882	MALE QUICK COUPLER CAP		01

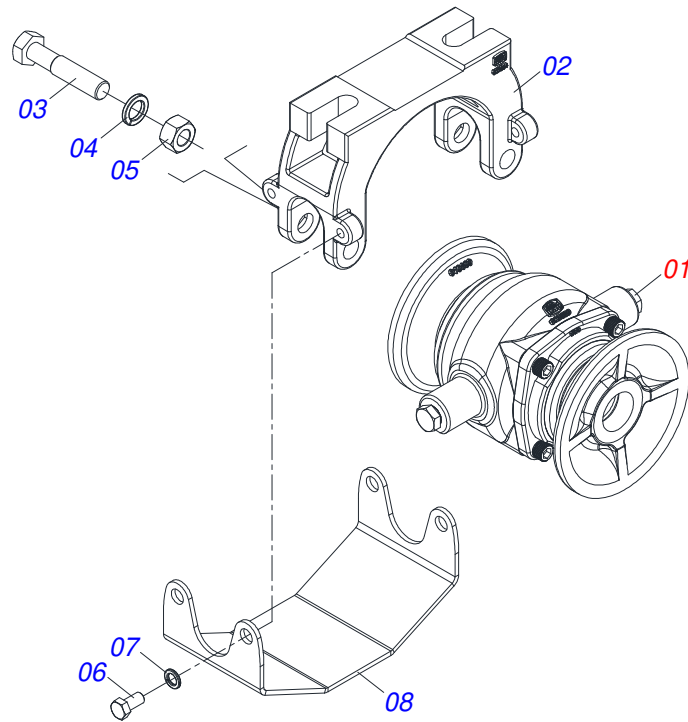


Item	Code	Description	See page	36	40	44	48	52
01	0501042262	1-1/4" X 35" AXLE WITH NUTS		00	00	04	00	00
01A	0501016647	1-1/4" X 35" AXLE		00	00	01	00	00
01B	0501010087	1.1/4" NUT		00	00	02	00	00
02	0501042201	1.1/4" X 1090 AXLE WITH NUTS		00	00	04	08	04
02A	0501016649	1.1/4" X 1090 AXLE		00	00	01	01	01
02B	0501010087	1.1/4" NUT		00	00	02	02	02
03	0501042202	1-1/4" X 50" AXLE WITH NUTS		00	00	00	00	04
03A	0501016650	1-1/4" X 50" AXLE		00	00	00	00	01
03B	0501010087	1.1/4" NUT		00	00	00	00	02
04	0501040694	1-1/4" X 66" AXLE WITH NUTS		04	00	00	00	00
04A	0501010439	1-1/4" X 66" AXLE		01	00	00	00	00
04B	0501010087	1.1/4" NUT		02	00	00	00	00
05	0501042947	1-1/4" X 74" AXLE WITH NUTS		00	04	00	00	00
05A	0501017377	1-1/4" X 74" AXLE		00	01	00	00	00
05B	0501010087	1.1/4" NUT		00	02	00	00	00
06	0502010549	7.6" X 1-1/4" SPACER		20	24	20	24	28
07	0502010834	1-1/4" INNER AXLE WASHER		04	04	08	08	08
08	0502010835	1-1/4" EXTERNAL AXLE WASHER		04	04	08	08	08
09	0501010455	1.1/4" NUT LOCK		08	08	16	16	16
10	0503010395	1/2" X 1-1/4" BOLT		08	08	16	16	16
11	0503010019	1/2" SPRING WASHER		08	08	16	16	16
12	0503010060	1/2 UNC G.5 ZN HEX NUT		08	08	16	16	16
13	0521047189	7.58" X 1.1/4" BEARING WITH PROTECTION	10	12	12	16	16	16
14	0521059224	BOLT ASSEMBLY 5/8 UNC X 2.3/4		24	24	32	32	32
14A	0501013233	5/8" X 2-3/4" BOLT		01	01	01	01	01
14B	0501012140	FLAT WASHER 16,50 X 40 X 4,00 ZN		01	01	01	01	01
14C	0503010013	5/8 UNC G.5 ZN HEX NUT		02	02	02	02	02
15	0602029420	DR 22 X 3,50 C64AF02FR1.5/16 D126 10R		00	20	22	24	26
16	0601029418	DL 22 X 3,50 C64AF02FR1.5/16 D126		00	18	20	22	24
17	0601027301	DL 20 X 3,50 C57AF02FR1.5/16		00	02	02	02	02
18	0602029421	DR 22 X 4,50 C64AF02FR1.5/16 10R		18	20	22	24	00
19	0601029417	DL 22 X 4,50 C64AF02FR1.5/16		16	18	20	22	00

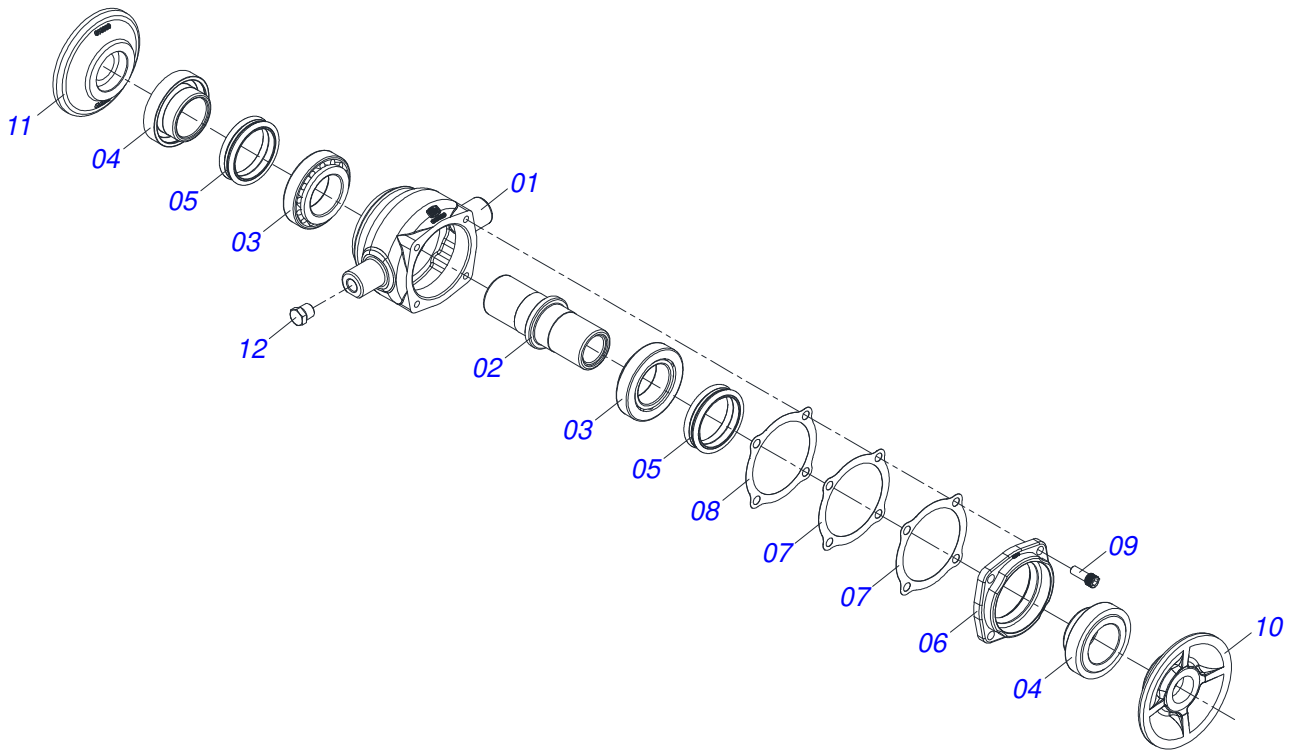
Item	Code	Description	See page	36	40	44	48	52
20	0601027301	DL 20 X 3,50 C57AF02FR1.5/16		02	02	00	02	00
21	0601027304	DL 20 X 4,50 C57AF02FR1.5/16		00	00	02	00	00
22	0602030415	DR 24 X 4,75 C66AF02FR1.5/16 D126 10R		00	00	00	24	00
23	0601031133	DL 24 X 4,75 C66AF02FR1.5/16		00	00	00	22	00
24	0601029422	DL 22 X 4,50 C64AF02FR1.5/16		00	00	00	02	00



Item	Code	Description	See page	44	48	52	52E
01	0501042262	1-1/4" X 35" AXLE WITH NUTS		04	00	00	00
01A	0501016647	1-1/4" X 35" AXLE		01	00	00	00
01B	0501010087	1.1/4" NUT		02	00	00	00
02	0501042201	1.1/4" X 1090 AXLE WITH NUTS		04	08	04	00
02A	0501016649	1.1/4" X 1090 AXLE		01	01	01	00
02B	0501010087	1.1/4" NUT		02	02	02	00
03	0501042202	1-1/4" X 50" AXLE WITH NUTS		00	00	04	00
03A	0501016650	1-1/4" X 50" AXLE		00	00	01	00
03B	0501010087	1.1/4" NUT		00	00	02	00
04	0511046089	AXLE 1.1/4 X 2470 WITH NUT		00	00	00	04
04A	0511011406	1.1/4 X 2470 AXLE		00	00	00	01
04B	0501010087	1.1/4" NUT		00	00	00	02
05	0502010549	7.6" X 1-1/4" SPACER		20	24	28	36
06	0502010834	1-1/4" INNER AXLE WASHER		08	08	08	04
07	0502010835	1-1/4" EXTERNAL AXLE WASHER		08	08	08	04
08	0501010455	1.1/4" NUT LOCK		16	16	16	08
09	0503010395	1/2" X 1-1/4" BOLT		16	16	16	08
10	0503010019	1/2" SPRING WASHER		16	16	16	08
11	0503010060	1/2 UNC G.5 ZN HEX NUT		16	16	16	08
12	0521047189	7.58" X 1.1/4" BEARING WITH PROTECTION	10	16	16	16	12
13	0521059224	BOLT ASSEMBLY 5/8 UNC X 2.3/4		32	32	32	24
13A	0501013233	5/8" X 2-3/4" BOLT		01	01	01	01
13B	0501012140	FLAT WASHER 16,50 X 40 X 4,00 ZN		01	01	01	01
13C	0503010013	5/8 UNC G.5 ZN HEX NUT		02	02	02	02
14	0602027340	DR 20 X 3,50 C57AF02FR1.5/16 10R		00	02	00	00
15	0602029421	DR 22 X 4,50 C64AF02FR1.5/16 10R		42	46	50	50
16	0602027342	DR 20 X 4,50 C57AF02FR1.5/16 10R		02	00	02	02



Item	Code	Description	See page	QT
01	0521050842	7.58" X 1.1/4" BEARING	11	01
02	0502012854	BEARING SUPPORT 182/192,5		01
03	0501011541	5/8 UNC X 3 CS G.5 ZN1K28066 BOLT		02
04	0503010027	5/8 SPRING WASHER		02
05	0503010013	5/8 UNC G.5 ZN HEX NUT		02
06	0503011334	3/8 UNC X 3/4 CS G.5 ZN BOLT		04
07	0503010025	3/8" SPRING WASHER		04
08	0581014143	SWIVEL OIL BATH BEARING WEAR PLATE		01



Item	Code	Description	See page	QT
01	0502012839	BEARING HOUSING 182/192,5		01
02	0502040060	AXLE CM/DM 182/192,5 SKF 32210		01
03	0503010006	32210 ROLLER BEARING		02
04	0502010541	SEAL HOLDER		02
05	0503030026	SEAL LP JB-253		02
06	0502020424	HOUSING CAP 182/192,225		01
07	0503030013	4.4" X 3.5" X 0.004" JOINT		02
08	0503030684	4.4" X 3.5" X 0.004" JOINT		01
09	0503010134	3/8" X 1" BOLT		04
10	0502010070	OUTER FLANGE		01
11	0502010071	INNER FLANGE		01
12	0503010856	OIL PLUG R 3/8 BSPT		02







***civemasa***

**Technical Publications | Elaboration and Revision**  
LEONARDO JOSÉ DA SILVA SOUZA

[www.civemasa.com.br](http://www.civemasa.com.br)

