

DISK HARROWS

GDC 28/32/36/40/44/52D - 1.1/4" SHAFT
GDC 28/32/36/40/44/52D - EIXO 1.1/4"

Code: 0501099054
Series: S-0222
Revision: 00
Revision Date: JUNE/2024

PARTS
CATALOGUE

CIVEMASA




PRODUCTS

Code	Working Width	Description
0120720193		GDC 28 X 20 X 3,50 DR DMO E 1.1/4 61430368 S-0222
0120720194		GDC 32 X 20 X 3,50 MT DMO E 1.1/4 61430377 S-0222
0120720195		GDC 32 X 20 X 3,50 MT DMO E 1.1/4 S-0222
0120720196		GDC 32 X 22 X 3,50 DR DMO E 1.1/4 S-0222
0120720197		GDC 32 X 22 X 3,50 MT DMO E 1.1/4 S-0222
0120720198		GDC 32 X 22 X 4,50 DR DMO E 1.1/4 S-0222
0120720199		GDC 36 X 20 X 3,50 MT DMO E 1.1/4 S-0222
0120720201		GDC 36 X 22 X 4,50 MT DMO E 1.1/4 S-0222
0120720203		GDC 40 X 22 X 3,50 MT DMO E 1.1/4 S-0222
0120720206		GDC 44 X 22 X 3,50 MT DMO E 1.1/4 S-0222
0120720216		GDC 52 X 22 X 4,50 DR DMO E 1.1/4 S-0222
0120720219		GDC 52 X 22 X 4,50 MT DMO E 1.1/4 S-0222

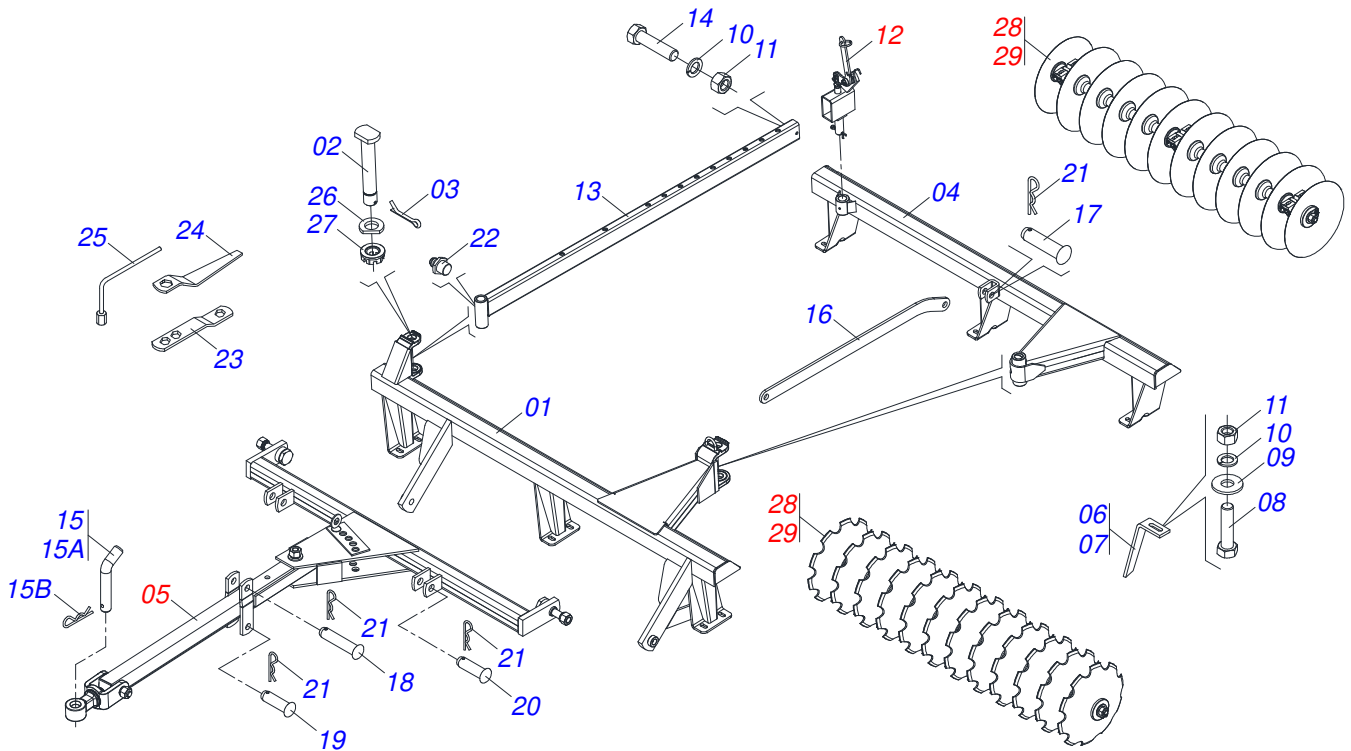
ATTENTION: IMPORTANT

CIVEMASA reserves the right to improve and/or modify the technical features of its products, without obligation to do the same with those products already sold and without prior knowledge of the dealer or the customer. The photos are only illustrative.



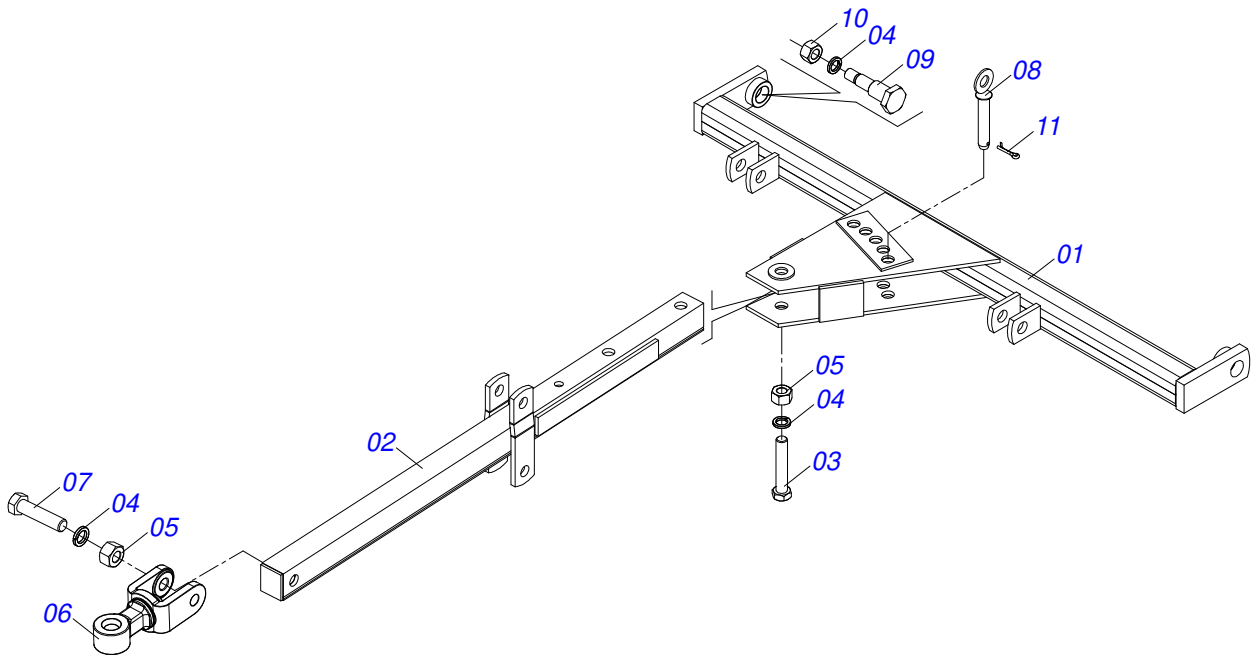
INDEX

0909097238	FRAME ASSY - 28/32D	1
0501043377	DRAWBAR ASSY	2
0501043278	ADJUSTMENT ASSY	3
0909097239	FRAME ASSY - 36/40/44D	4
0501043081	DRAWBAR ASSY	5
0501047858	ADJUSTMENT LEVER ASSY	6
0909097240	FRAME ASSY - 52D	7
0501043082	DRAWBAR ASSY	8
0909097241	DISC GANG - 32/36/40/44/52D (MIXED DISCS)	9
0909097242	DISC GANG - 28/32/52D (NOTCHED DISCS)	10
0521047189	7.58" X 1.1/4" BEARING WITH PROTECTION	11
0521050842	7.58" X 1.1/4" BEARING	12

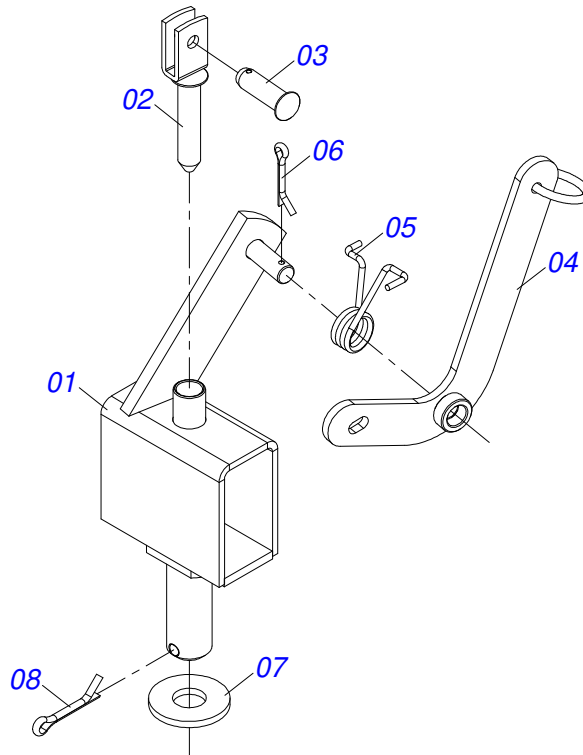


Item	Code	Description	See page	28	32
01	0521064356	FRONT FRAME 28		01	00
01.	0521063410	FRONT FRAME 32		00	01
02	0531019497	1.5" X 9.2" ARTICULATED AXIS		02	02
03	0503010010	1/4" X 2.1/2" SPLIT PIN		02	02
04	0521064357	REAR FRAME 28		01	00
04.	0521064358	REAR FRAME 32		00	01
05	0501043377	DRAWBAR ASSY	2	01	01
06	0501063963	FRONT SCRAPER		09	11
07	0501063962	REAR SCRAPER		09	11
08	0503011082	C1/2" X 1.3/4" SCREW		36	44
09	0511017302	FLAT WASHER 13,50 X 32,50 X 3,0 ZN		36	44
10	0503010019	1/2" SPRING WASHER		36	44
11	0503010060	1/2 UNC G.5 ZN HEX NUT		36	44
12	0501043278	ADJUSTMENT ASSY	3	01	01
13	0501065295	1945 ADJUSTMENT BAR		01	01
14	0503010741	1/2" X 2-3/4" BOLT		01	01
15	0501040343	HITCH AXIS ASSY		01	01
15A	0521010453	JOINT AXIS		01	01
15B	0503031035	HITCH PIN CLIP		01	01
16	0501018945	45" ATTACHMENT BAR		01	01
17	0521010573	0.9" X 3.1" COUPLING SHAFT		01	01
18	0521010578	COUPLING SHAFT		01	01
19	0521010579	COUPLING SHAFT		01	01
20	0521010595	1.1" X 4.3" COUPLING SHAFT		02	02
21	0503031035	HITCH PIN CLIP		05	05
22	0503010002	1800 GREASE FITTING		03	03
23	0511018451	5/8" X 3/4" X 1" UNIVERSAL		01	01
24	0501010198	1-1/4" CABLE FLAT WRENCH		02	02
25	0501068273	5/8" WRENCH		01	01
26	0531019540	FLAT WASHER		02	02
27	0501011301	1.1/2" UNC 6FPP 2.5/16" NUT		02	02
28		DISC GANG - 32/36/40/44/52D (MIXED DISCS)	9		

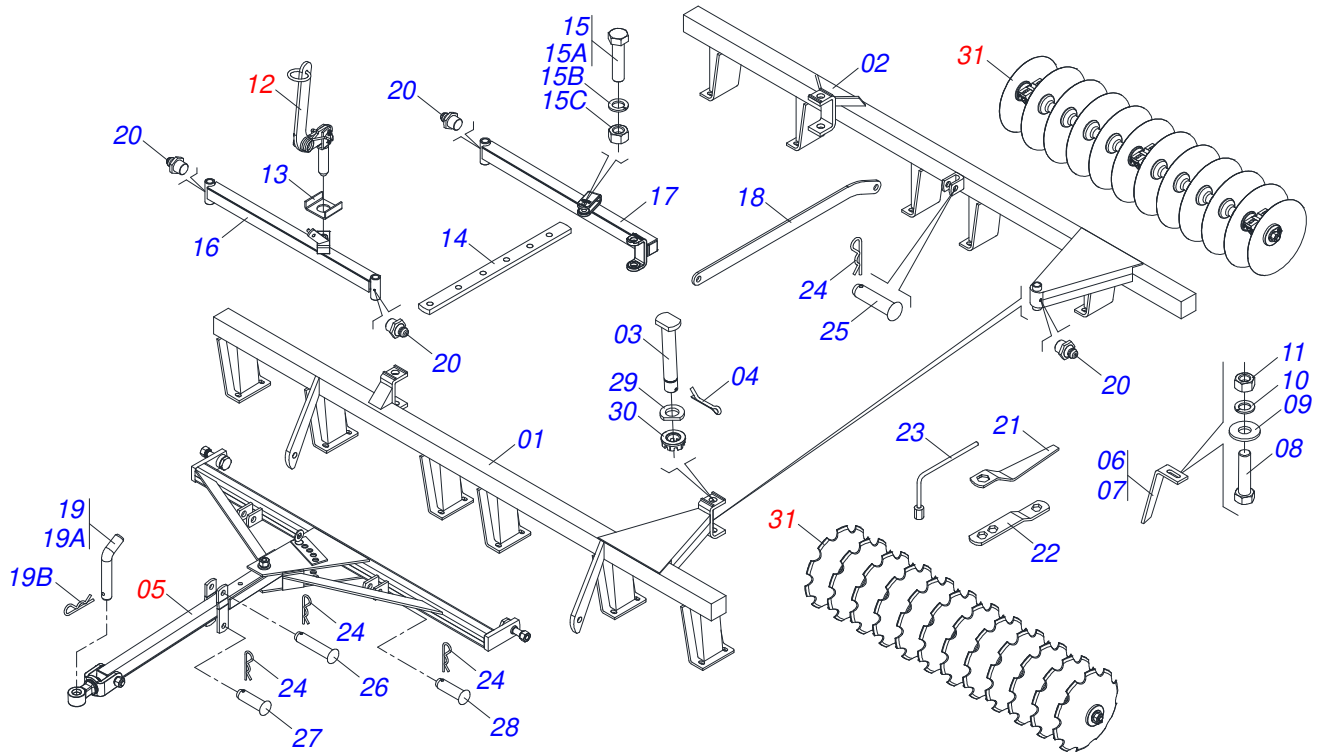
Item	Code	Description	See page	28	32
29		DISC GANG - 28/32/52D (NOTCHED DISCS)	10		



Item	Code	Description	See page	QT
01	0501064917	58.5" OFFSET BAR		01
02	0501064878	DRAWBAR ASSY		01
03	0501010372	1" X 5-1/2" BOLT		01
04	0503011438	SPRING WASHER		04
05	0501010059	1.5/8 NUT		02
06	0521062444	TRACTOR HITCH		01
07	0501010191	1" X 6" BOLT		01
08	0501068993	0.9" X 5.5" COUPLING SHAFT		01
09	0501018191	HITCH BAR BOLT		02
10	0503010340	1" NUT		02
11	0503010571	1/4" X 1.1/2" SPLIT PIN		01

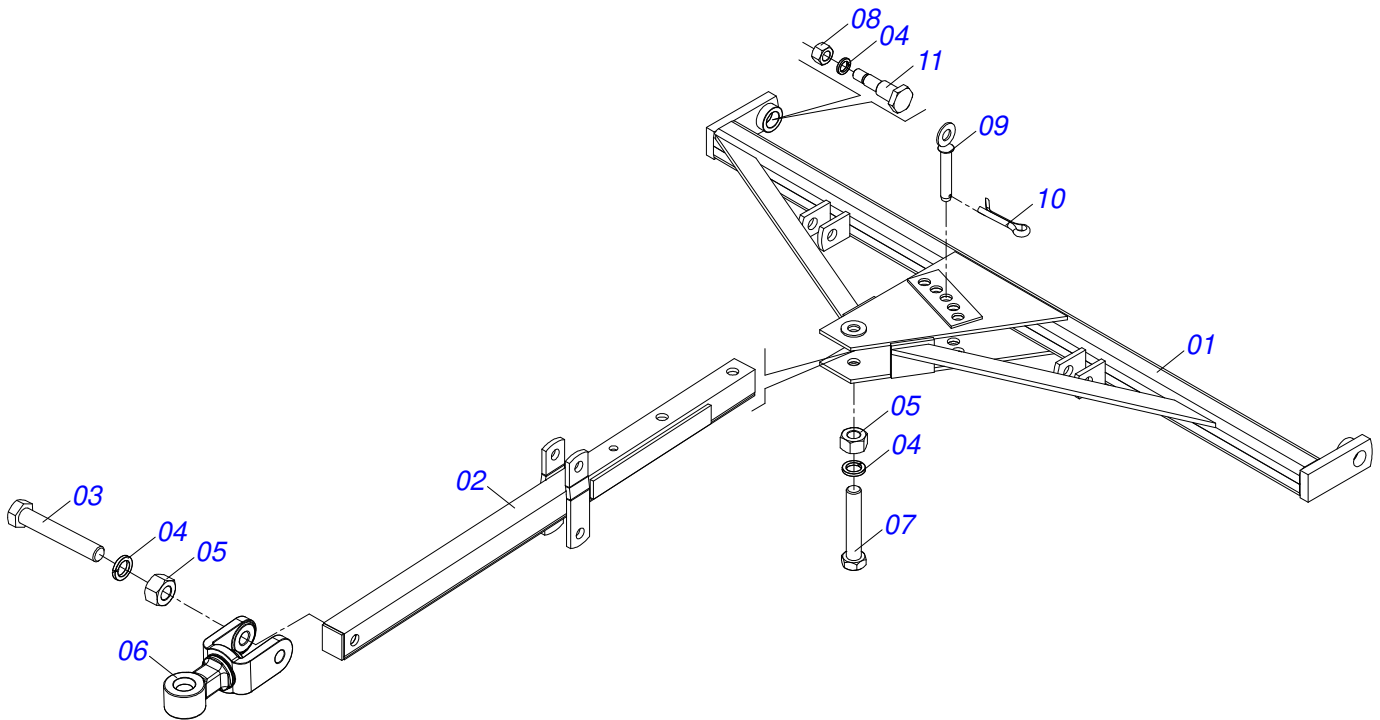


Item	Code	Description	See page	QT
01	0501063302	ADJUSTMENT		01
02	0501063078	ADJUSTMENT LOCK		01
03	0521010624	0.4" X 1.5" COUPLING SHAFT		01
04	0501068981	ADJUSTMENT LEVER		01
05	0503030025	1.4" X 0.2" TORSION SPRING		01
06	0503010071	3/16" X 1" SPLIT PIN		02
07	0501012916	FLAT WASHER 40 X 66 X 4,75 ZN		01
08	0503010073	3/8" X 3.1/2" SPLIT PIN		01

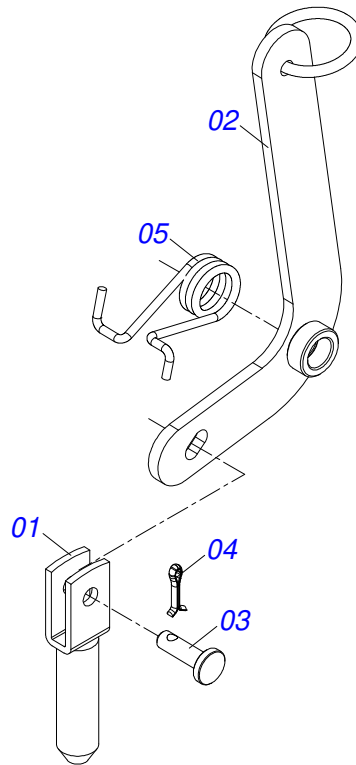


Item	Code	Description	See page	36	40	44
01	0521063272	FRONT FRAME 36		01	00	00
01.	0521063274	FRONT FRAME 40		00	01	00
01..	0521063247	FRONT FRAME 44		00	00	01
02	0521063271	REAR FRAME 36		01	00	00
02.	0521063275	REAR FRAME 40		00	01	00
02..	0521063246	REAR FRAME 44		00	00	01
03	0531019497	1.5" X 9.2" ARTICULATED AXIS		04	04	04
04	0503010010	1/4" X 2.1/2" SPLIT PIN		04	04	04
05	0501043081	DRAWBAR ASSY	5	01	01	01
06	0501063963	FRONT SCRAPER		11	13	13
07	0501063962	REAR SCRAPER		11	13	13
08	0503011082	C1/2" X 1.3/4" SCREW		44	52	52
09	0511017302	FLAT WASHER 13,50 X 32,50 X 3,0 ZN		44	52	52
10	0503010019	1/2" SPRING WASHER		44	52	52
11	0503010060	1/2 UNC G.5 ZN HEX NUT		44	52	52
12	0501047858	ADJUSTMENT LEVER ASSY	6	01	01	01
13	0501011649	U 1.2" X 3.1" X 3/16" BAR		01	01	01
14	0501064197	ADJUSTMENT BAR		01	01	01
15	0501040852	1" X 4" BOLT ASSY		01	01	01
15A	0503011432	BOLT		01	01	01
15B	0503010012	1" SPRING WASHER		01	01	01
15C	0501010059	1.5/8 NUT		01	01	01
16	0501064509	FRONT STABILIZER BAR		01	01	01
17	0501064508	REAR STABILIZER BAR 1360		01	01	01
18	0501018945	45" ATTACHMENT BAR		01	01	01
19	0501040343	HITCH AXIS ASSY		01	01	01
19A	0521010453	JOINT AXIS		01	01	01
19B	0503031035	HITCH PIN CLIP		01	01	01
20	0503010002	1800 GREASE FITTING		04	04	04
21	0501010198	1-1/4" CABLE FLAT WRENCH		02	02	02
22	0511018451	5/8" X 3/4" X 1" UNIVERSAL		01	01	01
23	0501068273	5/8" WRENCH		01	01	01

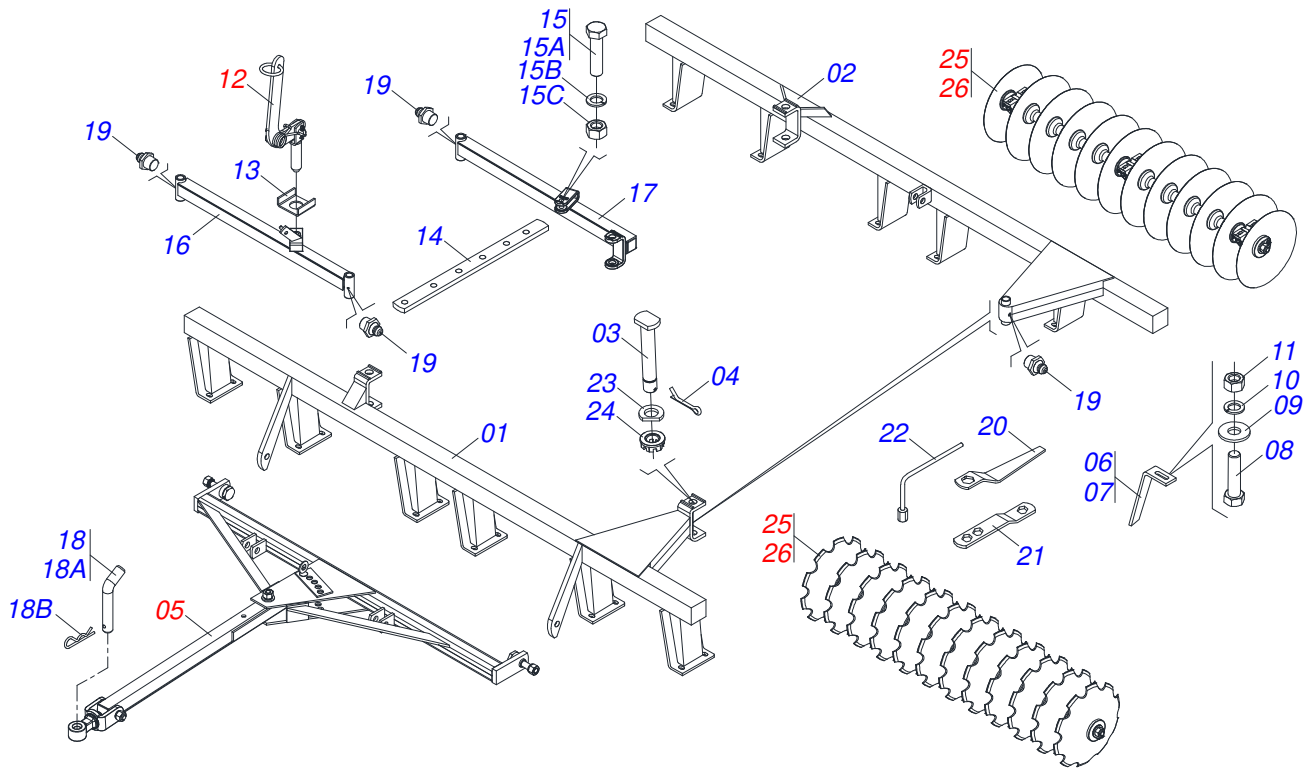
Item	Code	Description	See page	36	40	44
24	0503031035	HITCH PIN CLIP		05	05	05
25	0521010573	0.9" X 3.1" COUPLING SHAFT		01	01	01
26	0521010578	COUPLING SHAFT		01	01	01
27	0521010579	COUPLING SHAFT		01	01	01
28	0521010595	1.1" X 4.3" COUPLING SHAFT		02	02	02
29	0531019540	FLAT WASHER		04	04	04
30	0501011301	1.1/2" UNC 6FPP 2.5/16" NUT		04	04	04
31		DISC GANG - 32/36/40/44/52D (MIXED DISCS)	9			



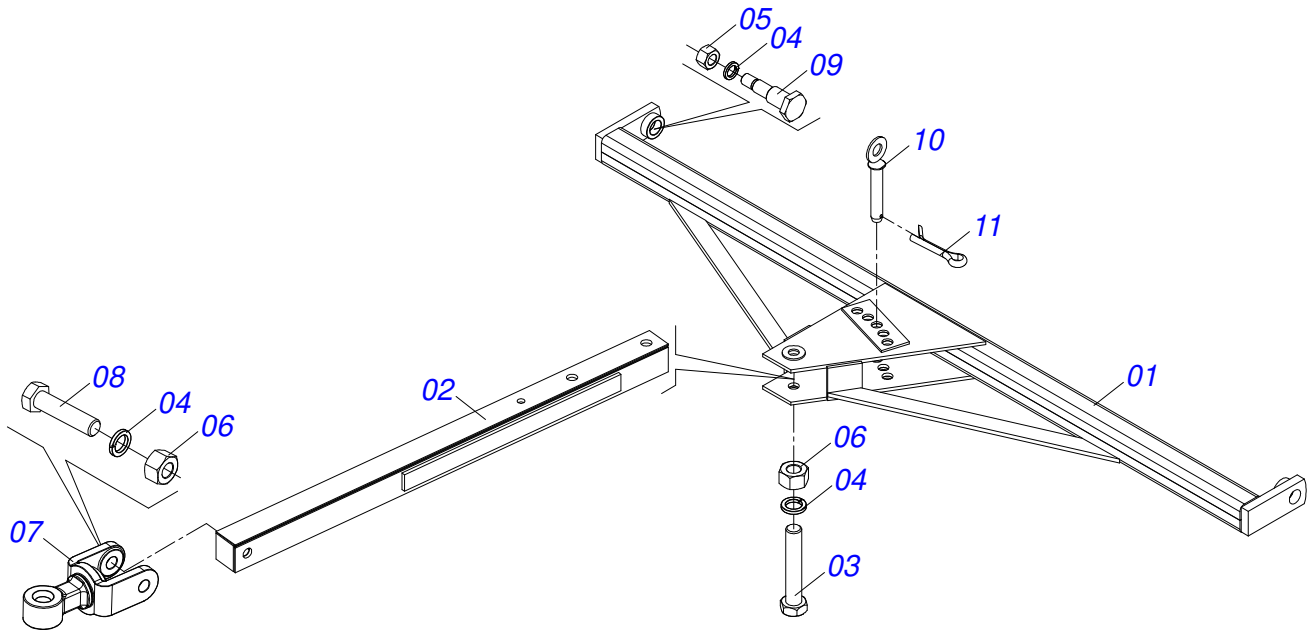
Item	Code	Description	See page	QT
01	0501064919	OFFSET BAR FOR TRANSP HYDRAULIC		01
02	0501064878	DRAWBAR ASSY		01
03	0501010372	1" X 5-1/2" BOLT		01
04	0503011438	SPRING WASHER		04
05	0501010059	1.5/8 NUT		02
06	0521062444	TRACTOR HITCH		01
07	0501010191	1" X 6" BOLT		01
08	0503010340	1" NUT		02
09	0501068993	0.9" X 5.5" COUPLING SHAFT		01
10	0503010571	1/4" X 1.1/2" SPLIT PIN		01
11	0501018191	HITCH BAR BOLT		02



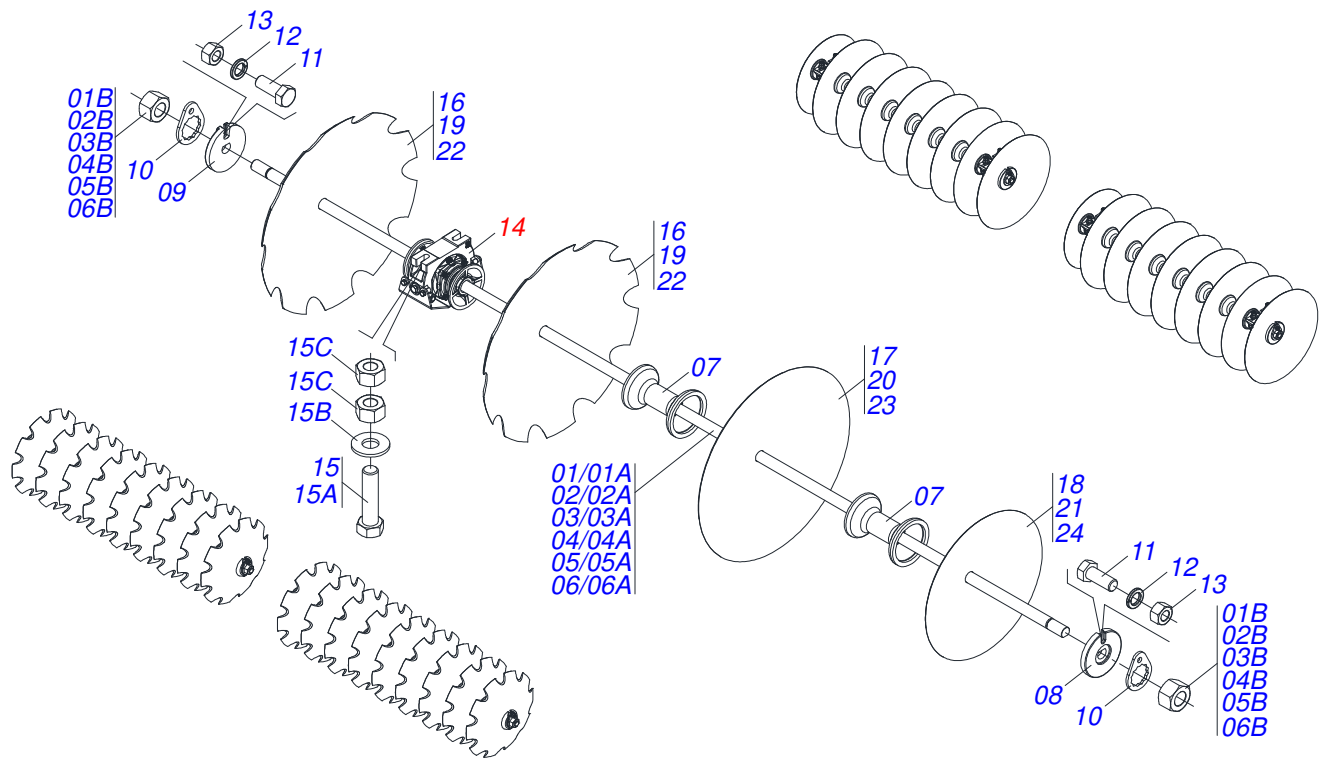
Item	Code	Description	See page	QT
01	0501060185	ADJUSTMENT LOCK		01
02	0501068981	ADJUSTMENT LEVER		01
03	0521010624	0.4" X 1.5" COUPLING SHAFT		01
04	0503010071	3/16" X 1" SPLIT PIN		01
05	0503030025	1.4" X 0.2" TORSION SPRING		01



Item	Code	Description	See page	QT
01	0501064679	FRONT FRAME 52		01
02	0501064611	REAR FRAME 52		01
03	0531019497	1.5" X 9.2" ARTICULATED AXIS		04
04	0503010010	1/4" X 2.1/2" SPLIT PIN		04
05	0501043082	DRAWBAR ASSY	8	01
06	0501063963	FRONT SCRAPER		17
07	0501063962	REAR SCRAPER		17
08	0503011082	C1/2" X 1.3/4" SCREW		68
09	0511017302	FLAT WASHER 13,50 X 32,50 X 3,0 ZN		68
10	0503010019	1/2" SPRING WASHER		68
11	0503010060	1/2 UNC G.5 ZN HEX NUT		68
12	0501047858	ADJUSTMENT LEVER ASSY	6	01
13	0501011649	U 1.2" X 3.1" X 3/16" BAR		01
14	0501064197	ADJUSTMENT BAR		01
15	0501040852	1" X 4" BOLT ASSY		01
15A	0503011432	BOLT		01
15B	0503010012	1" SPRING WASHER		01
15C	0501010059	1.5/8 NUT		01
16	0501064509	FRONT STABILIZER BAR		01
17	0501064508	REAR STABILIZER BAR 1360		01
18	0501040343	HITCH AXIS ASSY		01
18A	0521010453	JOINT AXIS		01
18B	0503031035	HITCH PIN CLIP		01
19	0503010002	1800 GREASE FITTING		04
20	0501010198	1-1/4" CABLE FLAT WRENCH		02
21	0511018451	5/8" X 3/4" X 1" UNIVERSAL		01
22	0501068273	5/8" WRENCH		01
23	0531019540	FLAT WASHER		04
24	0501011301	1.1/2" UNC 6FPP 2.5/16" NUT		04
25		DISC GANG - 32/36/40/44/52D (MIXED DISCS)	9	
26		DISC GANG - 28/32/52D (NOTCHED DISCS)	10	

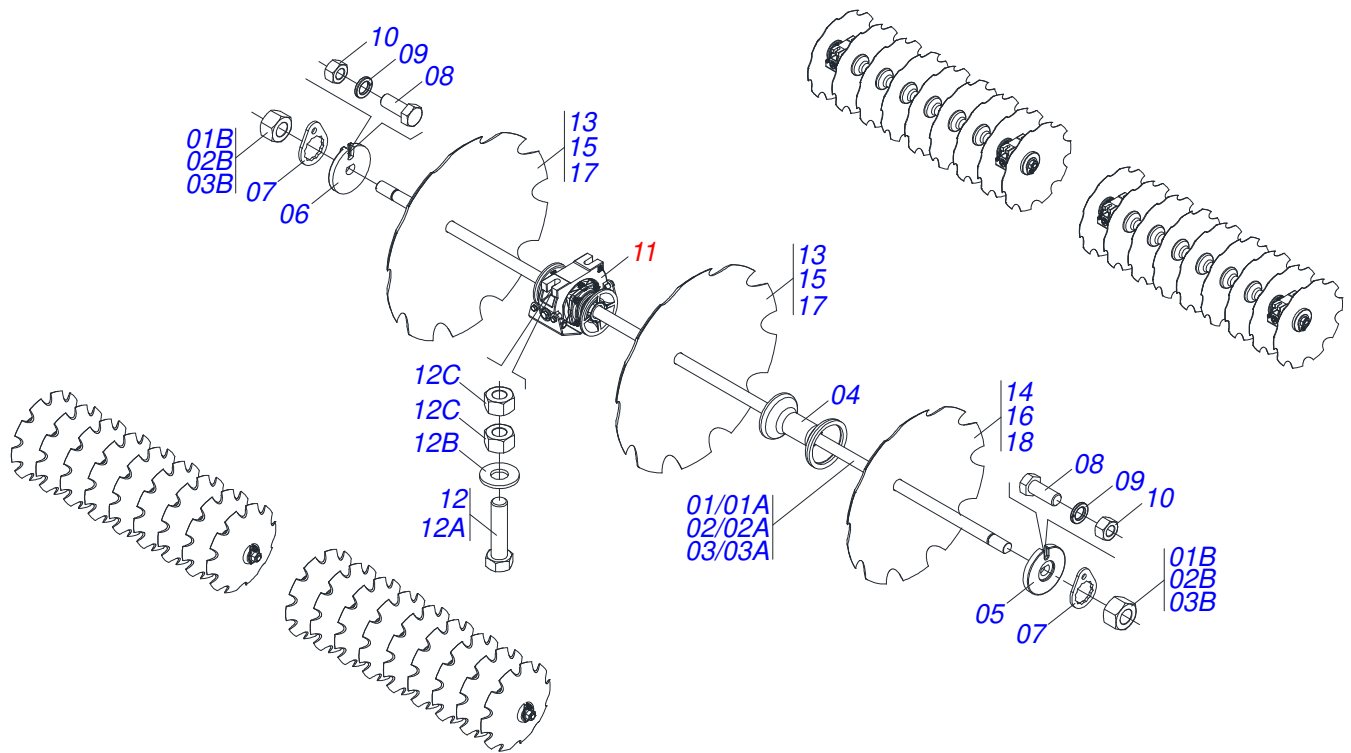


Item	Code	Description	See page	QT
01	0501064920	89.4" OFFSET BAR		01
02	0501060188	DRAWBAR ASSY		01
03	0501010191	1" X 6" BOLT		01
04	0503010012	1" SPRING WASHER		04
05	0503010340	1" NUT		02
06	0501010059	1.5/8 NUT		02
07	0521061775	TRACTOR HITCH		01
08	0501010060	1" X 6-1/2" BOLT		01
09	0501018191	HITCH BAR BOLT		02
10	0501068993	0.9" X 5.5" COUPLING SHAFT		01
11	0503010523	1/4 X 2 SPLIT PIN		01

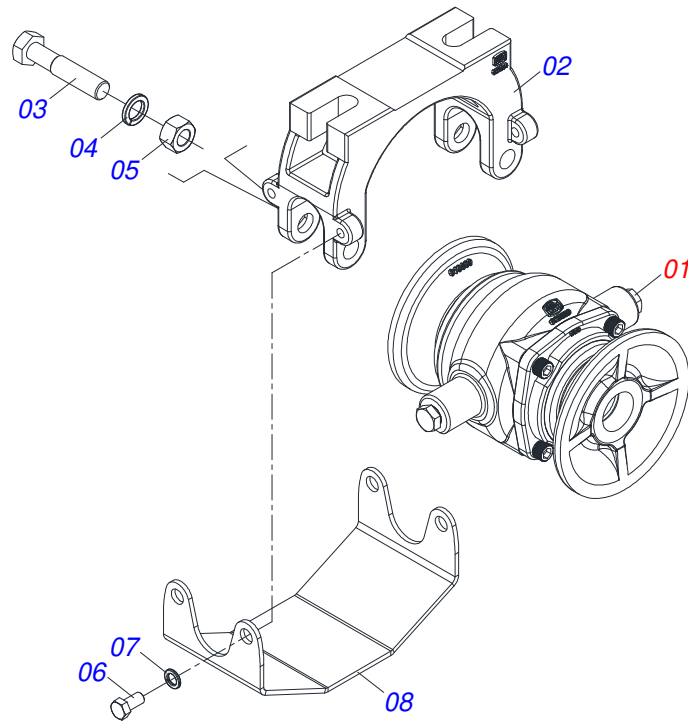


Item	Code	Description	See page	32	36	40	44	52
01	0501042202	1-1/4" X 50" AXLE WITH NUTS		00	00	00	00	04
01A	0501016650	1-1/4" X 50" AXLE		00	00	00	00	01
01B	0501010087	1.1/4" NUT		00	00	00	00	02
02	0501042942	1-1/4" X 58" AXLE WITH NUTS		04	00	00	00	00
02A	0501017379	1-1/4" X 58" AXLE		01	00	00	00	00
02B	0501010087	1.1/4" NUT		02	00	00	00	00
03	0501040694	1-1/4" X 66" AXLE WITH NUTS		00	04	00	00	00
03A	0501010439	1-1/4" X 66" AXLE		00	01	00	00	00
03B	0501010087	1.1/4" NUT		00	02	00	00	00
04	0501042947	1-1/4" X 74" AXLE WITH NUTS		00	00	04	00	00
04A	0501017377	1-1/4" X 74" AXLE		00	00	01	00	00
04B	0501010087	1.1/4" NUT		00	00	02	00	00
05	0501042262	1-1/4" X 35" AXLE WITH NUTS		00	00	00	04	00
05A	0501016647	1-1/4" X 35" AXLE		00	00	00	01	00
05B	0501010087	1.1/4" NUT		00	00	00	02	00
06	0501042201	1.1/4" X 1090 AXLE WITH NUTS		00	00	00	04	04
06A	0501016649	1.1/4" X 1090 AXLE		00	00	00	01	01
06B	0501010087	1.1/4" NUT		00	00	00	02	02
07	0502010549	7.6" X 1-1/4" SPACER		20	20	24	20	28
08	0502010834	1-1/4" INNER AXLE WASHER		04	04	04	08	08
09	0502010835	1-1/4" EXTERNAL AXLE WASHER		04	04	04	08	08
10	0501010455	1.1/4" NUT LOCK		08	08	08	16	16
11	0503010395	1/2" X 1-1/4" BOLT		08	08	08	16	16
12	0503010019	1/2" SPRING WASHER		08	08	08	16	16
13	0503010060	1/2 UNC G.5 ZN HEX NUT		08	08	08	16	16
14	0521047189	7.58" X 1.1/4" BEARING WITH PROTECTION	11	08	12	12	16	16
15	0521059224	BOLT ASSEMBLY 5/8 UNC X 2.3/4		16	24	24	32	32
15A	0501013233	5/8" X 2-3/4" BOLT		01	01	01	01	01
15B	0501012140	FLAT WASHER 16,50 X 40 X 4,00 ZN		01	01	01	01	01
15C	0503010013	5/8 UNC G.5 ZN HEX NUT		02	02	02	02	02
16	0602027340	DR 20 X 3,50 C57AF02FR1.5/16 10R		16	18	20	22	26
17	0601027301	DL 20 X 3,50 C57AF02FR1.5/16		14	16	18	20	24

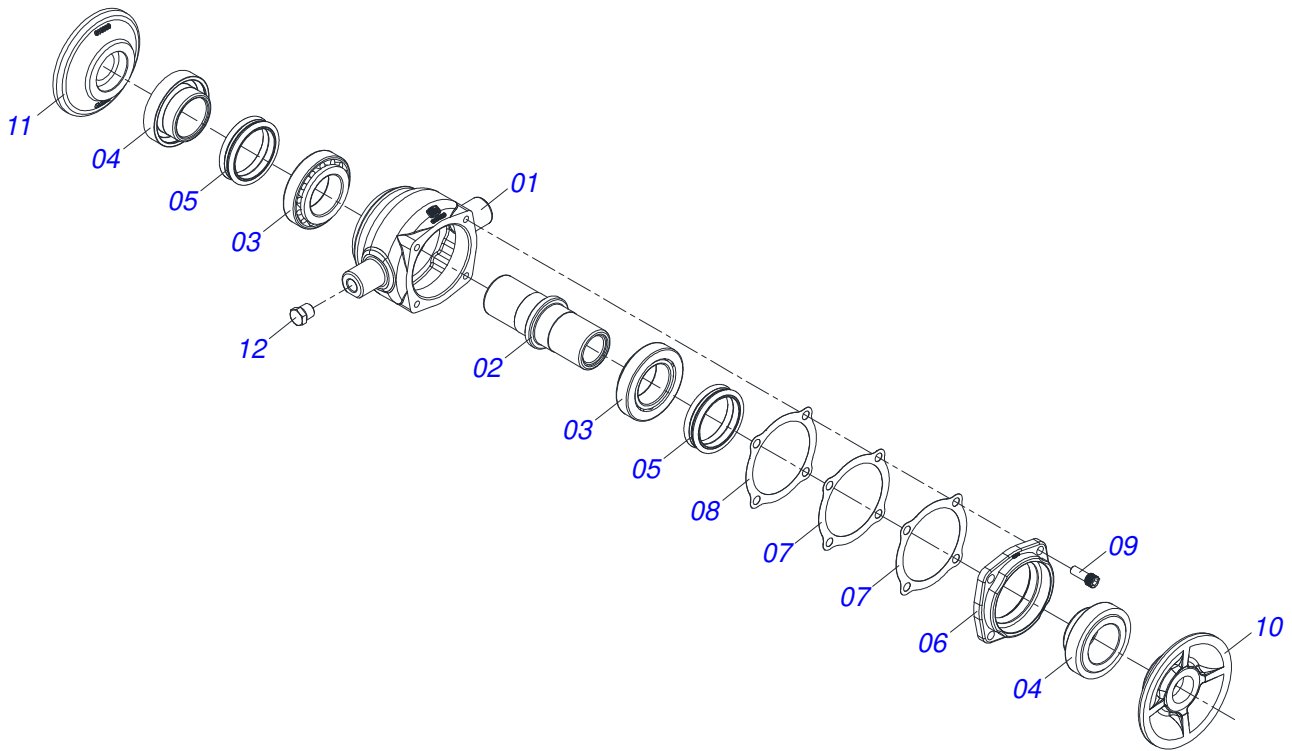
Item	Code	Description	See page	32	36	40	44	52
18	0601025251	DL 18 X 3,50 C45AF02FR1.5/16		02	02	02	02	02
19	0602029420	DR 22 X 3,50 C64AF02FR1.5/16 D126 10R		16	18	20	22	26
20	0601029418	DL 22 X 3,50 C64AF02FR1.5/16 D126		14	16	18	20	24
21	0601027301	DL 20 X 3,50 C57AF02FR1.5/16		02	02	02	02	02
22	0602029421	DR 22 X 4,50 C64AF02FR1.5/16 10R		16	18	20	22	26
23	0601029422	DL 22 X 4,50 C64AF02FR1.5/16		14	16	18	20	24
24	0601027304	DL 20 X 4,50 C57AF02FR1.5/16		02	02	02	02	02



Item	Code	Description	See page	28	32	52
01	0501042202	1-1/4" X 50" AXLE WITH NUTS		04	00	04
01A	0501016650	1-1/4" X 50" AXLE		01	00	01
01B	0501010087	1.1/4" NUT		02	00	02
02	0501042942	1-1/4" X 58" AXLE WITH NUTS		00	04	00
02A	0501017379	1-1/4" X 58" AXLE		00	01	00
02B	0501010087	1.1/4" NUT		00	02	00
03	0501042201	1.1/4" X 1090 AXLE WITH NUTS		00	00	04
03A	0501016649	1.1/4" X 1090 AXLE		00	00	01
03B	0501010087	1.1/4" NUT		00	00	02
04	0502010549	7.6" X 1-1/4" SPACER		16	20	28
05	0502010834	1-1/4" INNER AXLE WASHER		04	04	08
06	0502010835	1-1/4" EXTERNAL AXLE WASHER		04	04	08
07	0501010455	1.1/4" NUT LOCK		08	08	16
08	0503010395	1/2" X 1-1/4" BOLT		08	08	16
09	0503010019	1/2" SPRING WASHER		08	08	16
10	0503010060	1/2 UNC G.5 ZN HEX NUT		08	08	16
11	0521047189	7.58" X 1.1/4" BEARING WITH PROTECTION	11	08	08	16
12	0521059224	BOLT ASSEMBLY 5/8 UNC X 2.3/4		16	16	32
12A	0501013233	5/8" X 2-3/4" BOLT		01	01	01
12B	0501012140	FLAT WASHER 16,50 X 40 X 4,00 ZN		01	01	01
12C	0503010013	5/8 UNC G.5 ZN HEX NUT		02	02	02
13	0602027340	DR 20 X 3,50 C57AF02FR1.5/16 10R		26	00	00
14	0602025261	DR 18 X 3,50 C45AF02FR1.5/16 9R		02	00	00
15	0602029420	DR 22 X 3,50 C64AF02FR1.5/16 D126 10R		00	30	00
16	0602027340	DR 20 X 3,50 C57AF02FR1.5/16 10R		00	02	00
17	0602029421	DR 22 X 4,50 C64AF02FR1.5/16 10R		00	30	50
18	0602027342	DR 20 X 4,50 C57AF02FR1.5/16 10R		00	02	02



Item	Code	Description	See page	QT
01	0521050842	7.58" X 1.1/4" BEARING	12	01
02	0502012854	BEARING SUPPORT 182/192,5		01
03	0501011541	5/8 UNC X 3 CS G.5 ZN1K28066 BOLT		02
04	0503010027	5/8 SPRING WASHER		02
05	0503010013	5/8 UNC G.5 ZN HEX NUT		02
06	0503011334	3/8 UNC X 3/4 CS G.5 ZN BOLT		04
07	0503010025	3/8" SPRING WASHER		04
08	0581014143	SWIVEL OIL BATH BEARING WEAR PLATE		01



Item	Code	Description	See page	QT
01	0502012839	BEARING HOUSING 182/192,5		01
02	0502040060	AXLE CM/DM 182/192,5 SKF 32210		01
03	0503010006	32210 ROLLER BEARING		02
04	0502010541	SEAL HOLDER		02
05	0503030026	SEAL LP JB-253		02
06	0502020424	HOUSING CAP 182/192,225		01
07	0503030013	4.4" X 3.5" X 0.004" JOINT		02
08	0503030684	4.4" X 3.5" X 0.004" JOINT		01
09	0503010134	3/8" X 1" BOLT		04
10	0502010070	OUTER FLANGE		01
11	0502010071	INNER FLANGE		01
12	0503010856	OIL PLUG R 3/8 BSPT		02



civemasa

Technical Publications | Elaboration and Revision
LEONARDO JOSÉ DA SILVA SOUZA

www.civemasa.com.br

