

**LIME AND FERTILIZER SPREADER**

**DFCO 11000**

**Code:** 0501099018

**Series:** S-0422

**Revision:** 00

**Revision Date:** JUNHO/2023

# PARTS CATALOGUE

***CIVEMASA***




# PRODUCTS

Code	Description
0120480041	DFCO 11000 MC ACION HID KIT EST AC 1,3/1,5M S-0422
0120480040	DFCO 11000 MC ACION HIDR KIT EST 1,3/1,5M S-0422
0120480039	DFCO 11000 MC ACION HIDR PN 12.4 24-10L S-0422
0120480037	DFCO 11000 MC PN 12.4 24-10L S-0422
0120480038	DFCO 11000 MC RODA OFFSET S/PNEU S-0422

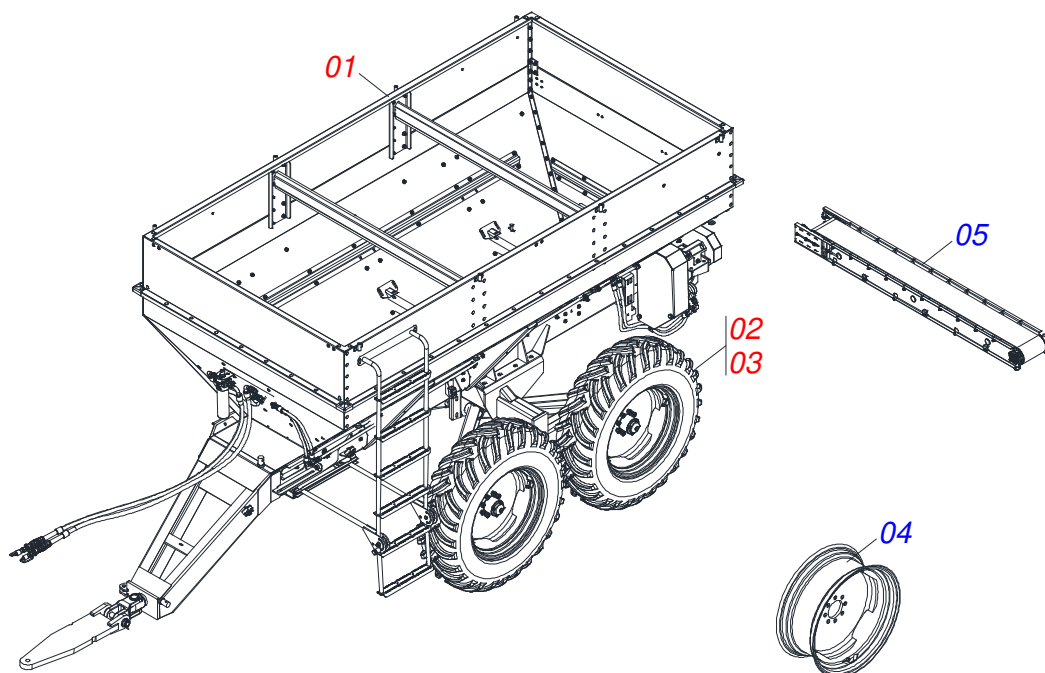
## ATTENTION: IMPORTANT

CIVEMASA reserves the right to improve and/or modify the technical features of its products, without obligation to do the same with those products already sold and without prior knowledge of the dealer or the customer. The photos are only illustrative.

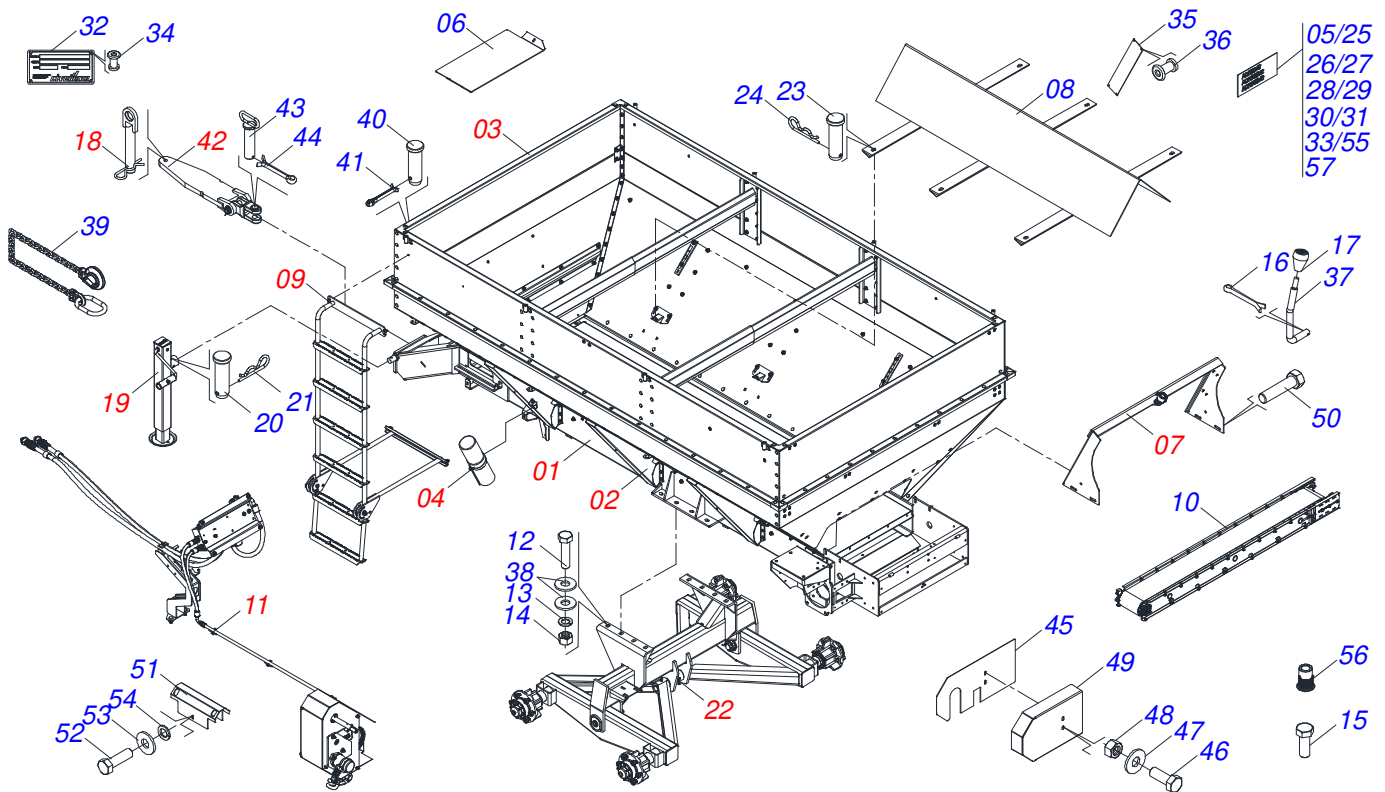


# INDEX

0909096631	ASSY FRAME	.....	1
0531043374	ASSY FRAME	.....	2
0531056279	FRAME SEMI MOUNTED	.....	3
0511059108	SLUICE VALVE COVER ASSY	.....	4
0501047985	REDUCER	.....	5
0501051774	38Z CROWN	.....	6
0511041213	AGRICULTURAL BEARING	.....	7
0531050089	FULL DISK PROTECTOR	.....	8
0501044308	AGRICULTURAL BEARING ASSY	.....	9
0531050090	DRAWBOLT ASSY	.....	10
0531056257	BUCKET FIXING KIT	.....	11
0531056577	STAINLESS STEEL CLIP	.....	12
0531056258	BUCKET ASSY	.....	13
0531056195	MANUAL DOOR/CATALOG SET - 3000/6000/8000/11000	.....	14
0531055517	COMPLETE SUPPORT WITH BEARING	.....	15
0511059094	SHAFT BEARING THREADED	.....	16
0531043032	ASSY LADDER	.....	17
0521058130	SIMPLE HYDRAULIC DRIVE ASSEMBLY	.....	18
0511053588	MOTOR HYDRAULIC OMP 80 WITH NIPPLE 7/8 NIPPE 7/8	.....	19
0511054496	TENSIONER SMALEER ASSY	.....	20
0501053834	MALE QUICK COUPLER	.....	21
0521058120	SIMPLE HYDRAULIC ACTUATION HOSE SET	.....	22
0521058094	SUPPORT HOSE	.....	23
0521057951	SUPPORT SIMPLE HYDRAULIC DRIVE	.....	24
0521057953	BLOCK HYDAC	.....	25
0521057952	FILTER PRES PARKER HDA FP20 10FV 06B LV6	.....	26
0521057599	FILTER PRESS PARKER HDA FP20 10FV 06B LV6 WITH NIPPLE	.....	27
0511054497	TENSIONER LARGER ASSY	.....	28
0501047881	AXIS JOINT ASSY	.....	29
0511041110	BELL CRANK SUPPORT FIXATION	.....	30
0501056347	CARRYING WHEELS WITHOUT TIRE	.....	31
0511059024	ENGATE TRATOR COMPLETO	.....	32
0531043373	ASSY FRAME	.....	33
0531056278	FRAME SEMI MOUNTED	.....	34
0501054013	RIGHT BEARRING SUPPORT DISC	.....	35
0501048000	AGRICULTURAL BEARING	.....	36
0501053870	DISTRIBUTOR RIGHT DISC ASSY	.....	37
0501053871	DISTRIBUTOR LEFT DISC ASSY	.....	38
0501053868	BELT TENSIONER ASSY	.....	39
0531043372	ASSY FRAME	.....	40
0531056277	FRAME SEMI MOUNTED	.....	41
0521053161	CARDAN SUPPORT WITHOUT SPRING	.....	42
0501044306	BATH BEARING	.....	43
0511059222	WHEEL WITH TIRE RIGHT SIDE	.....	44
0511059223	WHEEL WITH LEFT SIDE TIRE	.....	45

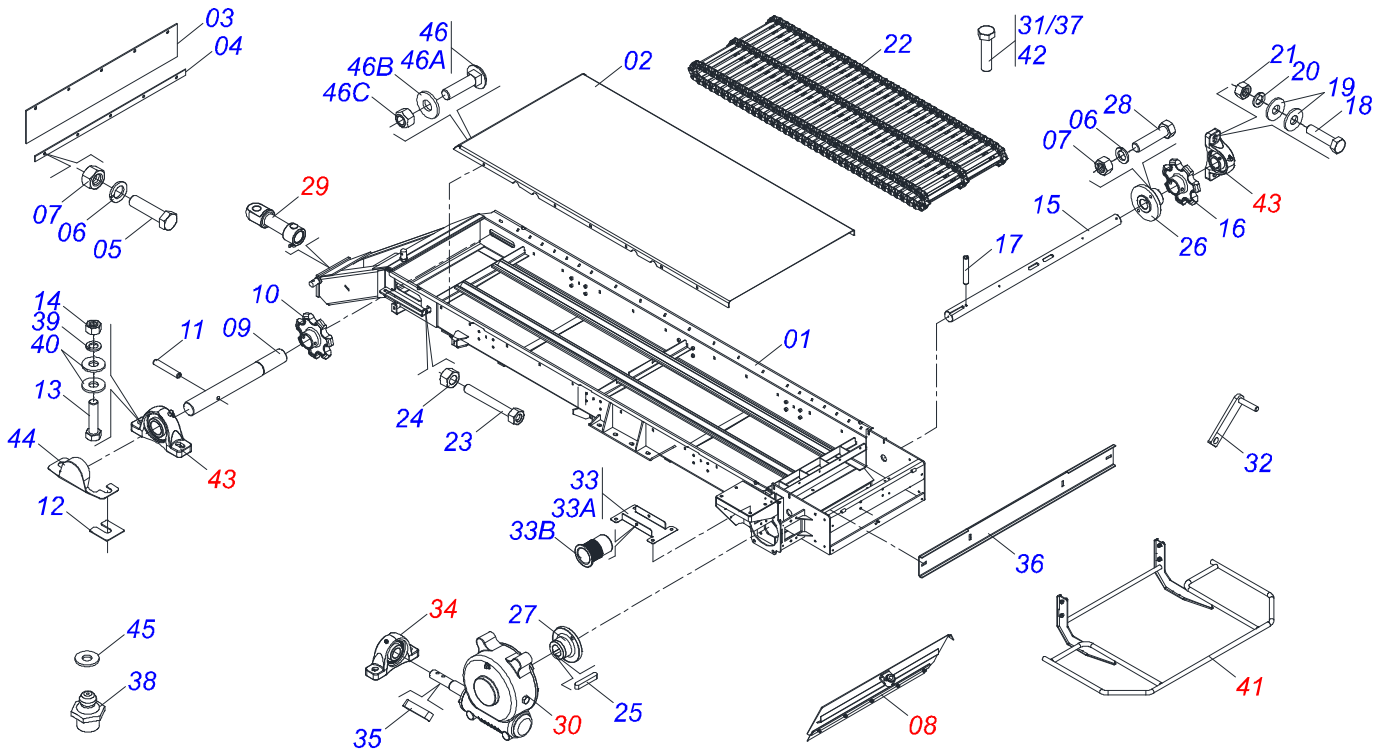


Item	Code	Description	See page	QT
01	0531043374	ASSY FRAME	2	01
01.	0531043373	ASSY FRAME	33	01
01..	0531043372	ASSY FRAME	40	01
02	0511059222	WHEEL WITH TIRE RIGHT SIDE	44	02
03	0511059223	WHEEL WITH LEFT SIDE TIRE	45	02
04	0511063924	DCCO 10500 WHEEL		04
05	0503063722	ORGANIC AND MINERAL FERTILIZER APPLICATION KIT		01



Item	Code	Description	See page	QT
01	0531056279	FRAME SEMI MOUNTED	3	01
02	0531056257	BUCKET FIXING KIT	11	01
03	0531056258	BUCKET ASSY	13	01
04	0531056195	MANUAL DOOR/CATALOG SET	14	01
05	0503068390	ADHESIVE LABEL SET		01
06	0501215831	FRONT PROTECTION		01
07	0531055517	COMPLETE SUPPORT WITH BEARING	15	01
08	0531064584	DEFLECTOR		01
09	0531043032	ASSY LADDER	17	01
10	0503063722	ORGANIC AND MINERAL FERTILIZER APPLICATION KIT		01
11	0521058130	SIMPLE HYDRAULIC DRIVE ASSEMBLY	18	01
12	0501010125	3/4" X 2-1/2" BOLT		08
13	0503010023	3/4" SPRING WASHER		08
14	0503010014	3/4" HEX NUT		06
15	0503010751	C3/8" X 1.1/4" HEX BOLT G.5		02
16	0503010257	1/8" X 1" COTTERPIN		01
17	0503030878	LEVER CRANK		01
18	0501047881	AXIS JOINT ASSY	29	01
19	0503062157	DRAWBAR JACK		01
20	0521010549	COUPLING SHAFT		01
21	0503030168	HITCH PIN CLIP		01
22	0511041110	BELL CRANK SUPPORT FIXATION	30	01
23	0521017623	0.5" X 1.5" COUPLING SHAFT		06
24	0503030168	HITCH PIN CLIP		06
25	0503031859	ADHESIVE LABEL DANGER		02
26	0503031428	READ MANUAL DECAL		01
27	0503031827	LUBRICATE AND RETIGHTEN DAILY DECAL		01
28	0503033647	APPROVED BADGE		01
29	0503031809	ADHESIVE LABEL		01
30	0503031818	ADHESIVE LABEL		01

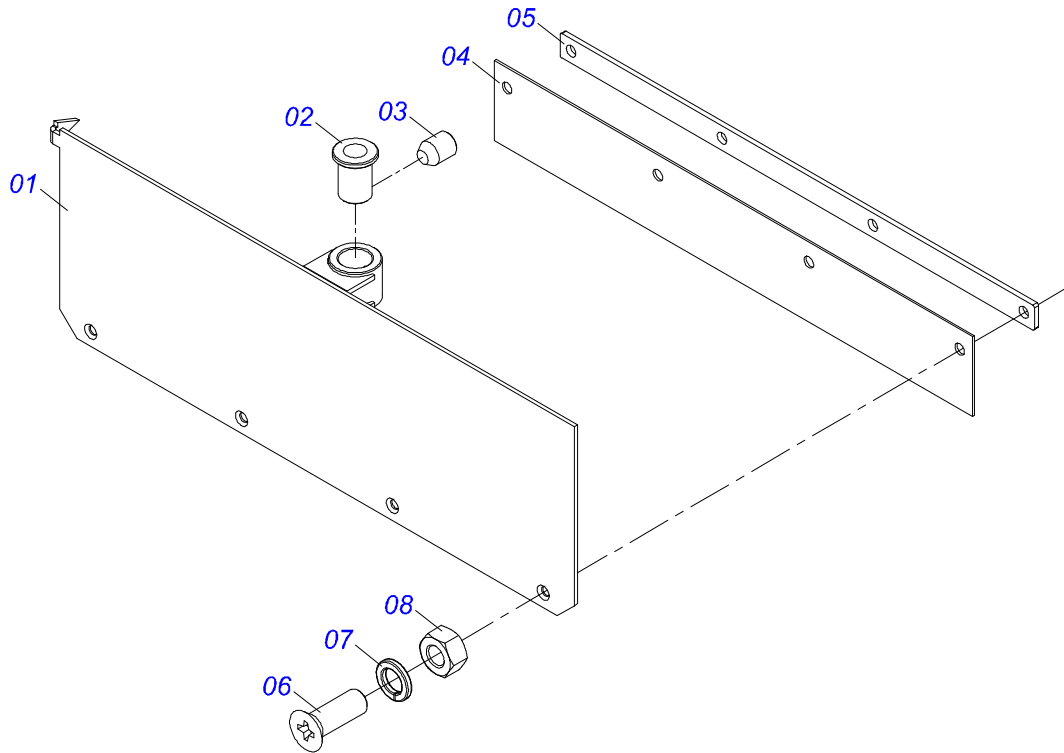
Item	Code	Description	See page	QT
31	0503032425	ADHESIVE LABEL ATTENTION		01
32	0503034004	ALUMINUM IDENTIFICATION LABEL		01
33	0503032949	ADHESIVE LABEL		01
34	0503010001	3.2 X 5.5 RIVET		04
35	0503030751	REGULATOR PLATE		01
36	0503012209	RIVET POP		04
37	0521011107	CRANK BODY		01
38	0501010322	FLAT WASHER		16
39	0503013150	1300 X 3/8 CHAIN		01
40	0581011220	COUPLING SHAFT		01
41	0503010131	3/16" X 1-1/2" COTTERPIN		01
42	0511059024	ENGATE TRATOR COMPLETO	32	01
43	0511066176	HITCH PIN		01
44	0503010010	1/4" X 2.1/2" COTTERPIN		01
45	0591016127	SIDE PROTECTION BELT COVER		01
46	0503010237	3/8" X 1" BOLT		02
47	0501010984	10,50 X 27 X 3,00 FLAT WASHER		02
48	0503010026	3/8" NUT		02
49	0591016128	SIDE PROTECTION BELT		01
50	0503010849	3/8" X 1-1/2" BOLT		04
51	0581015152	COVER PROTECTION		01
52	0503010240	BOLT		02
53	0501010984	10,50 X 27 X 3,00 FLAT WASHER		02
54	0503010179	LOCK WASHER 5/16 ZN 1K01528		02
55	0503034648	ADHESIVE LABEL		01
56	0503019416	RIVET SCREW THREAD INTERNAL		02
57	0503035156	LABEL ADHESIVE		01



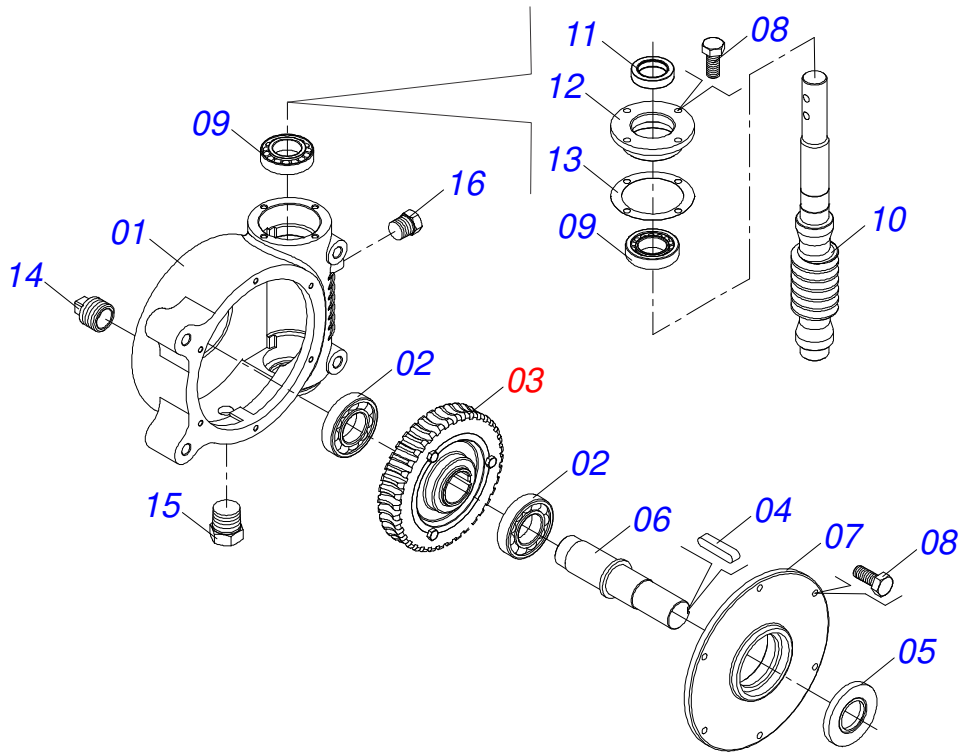
Item	Code	Description	See page	QT
01	0531064581	FRAME SEMI MOUNTED		01
02	0501215833	STAINLESS FLOOR		01
03	0531014336	31.4"X3.1"X 0.1" PROTECTION SMALLER		01
04	0531014331	SLUCE VALVE FIXER COVER		01
05	0503010237	3/8" X 1" BOLT		11
06	0503011443	3/8" SPRING WASHER		13
07	0503010026	3/8" NUT		15
08	0511059108	SLUCE VALVE COVER ASSY	4	01
09	0591016382	DRIVEN AXLE		01
10	0591016380	GEAR		01
11	0503010361	SPRING PIN		03
12	0501010794	HIDR CHOCK REGULATOR		04
13	0503010233	5/8" X 2-1/2" BOLT		04
14	0503010013	5/8 NUT		06
15	0591016381	DRIVING AXLE		01
16	0591016380	GEAR		01
17	0503010361	SPRING PIN		05
18	0503010740	BOLT 1/2 UNC X 2 CS G.5 ZN		08
19	0511017302	FLAT WASHER 13,50 X 32,50 X 3,0 ZN		12
20	0503011440	SPRING WASHER		10
21	0503010060	1/2 UNC G.5 ZN HEX NUT		10
22	0511065278	DRIVE THE TRANSPORT TALISCA		01
23	0501067853	ROD STABILIZER		02
24	0503010013	5/8 NUT		02
25	0501010540	KEYWAY SQUARE		02
26	0511016540	MAT COUPLING FLANGE		01
27	0511016541	REDUCTION COUPLING FLANGE		01
28	0503010849	3/8" X 1-1/2" BOLT		03
29	0531050090	DRAWBOLT ASSY	10	01
30	0501047985	REDUCER	5	01
31	0503011167	M16 X 2 X 30 BOLT		04

Item	Code	Description	See page	QT
32	0501067368	DIVISOR REGULATOR OPEN		02
33	0531059022	PROTECTION COVER FIXER		01
33A	0581015151	FIXING BODY COVER PROTECTION		01
33B	0503019416	RIVET SCREW THREAD INTERNAL		02
34	0511041213	AGRICULTURAL BEARING	7	03
35	0501010536	KEYWAY SQUARE		01
36	0531014338	BAMPER		01
37	0503010920	1/2 UNC X 1.1/2 C S G.5 ZN BOLT		02
38	0503011098	1/4" GREASE FITTING		04
39	0503011445	SPRING WASHER		10
40	0501012140	FLAT WASHER		08
41	0531050089	FULL DISK PROTECTOR	8	01
42	0503011267	5/8 UNC X 1.1/2 C S G.5 ZN BOLT		02
43	0501044308	AGRICULTURAL BEARING ASSY	9	04
44	0521068822	BEARING PROTECTION		03
45	0511017302	FLAT WASHER 13,50 X 32,50 X 3,0 ZN		02
46	0541050868	STAINLESS STEEL PLATFORM FIXATION KIT		01
46A	0503012540	3/8" X 1" BOLT		20
46B	0501219147	FLAT WASHER 13 X 24 X 3,00 INOX		20
46C	0503019604	SELF LOCKING HEX NUT WITH NYLON 3/8 UNC 2B		20

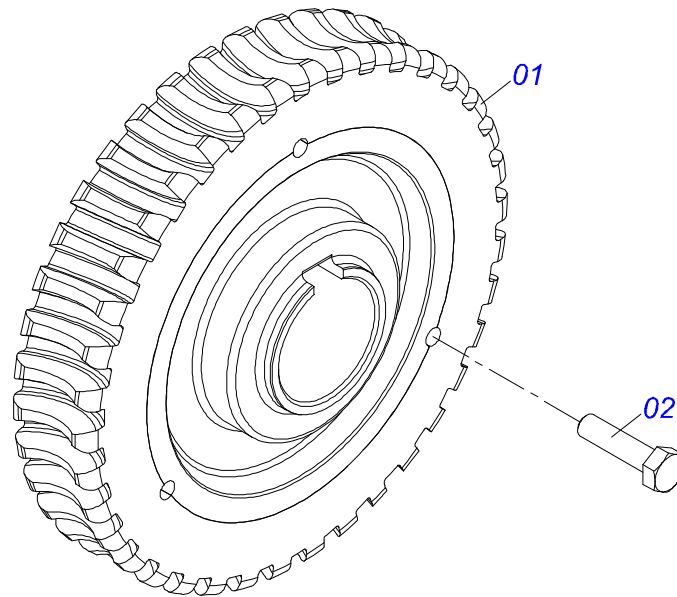




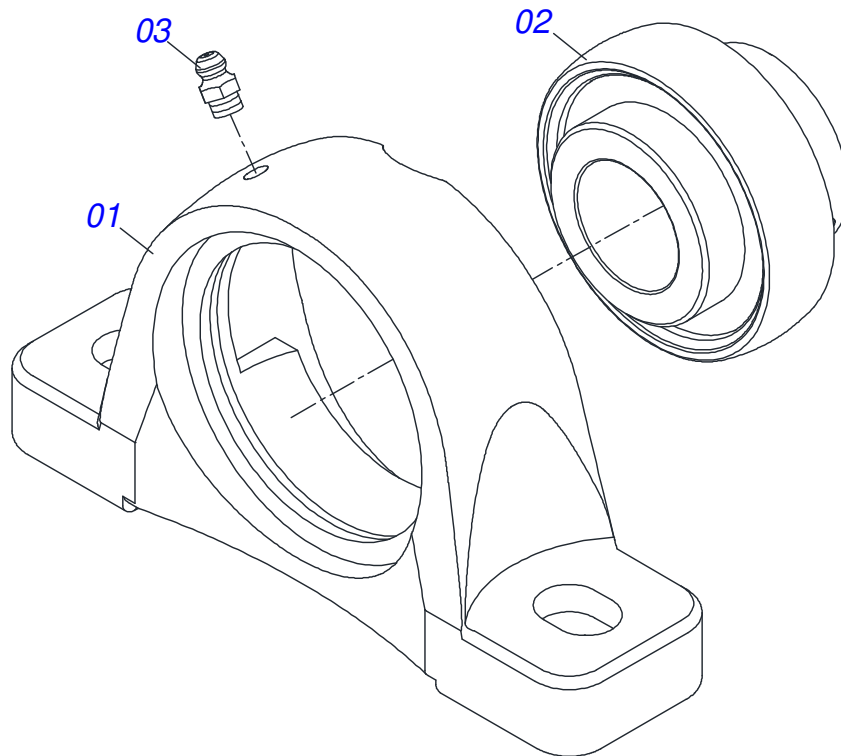
Item	Code	Description	See page	QT
01	0511063413	SLUICE VALVE COVER		01
02	0501019831	ADJUSTING NUT		01
03	0503011148	3/8" X 1/2" BOLT		01
04	0531014336	31.4"X3.1"X 0.1" PROTECTION SMALLER		01
05	0531014331	SLUICE VALVE FIXER COVER		01
06	0503010546	5/16" X 7/8" BOLT		05
07	0503011444	SPRING WASHER		05
08	0503010337	5/16" NUT		05



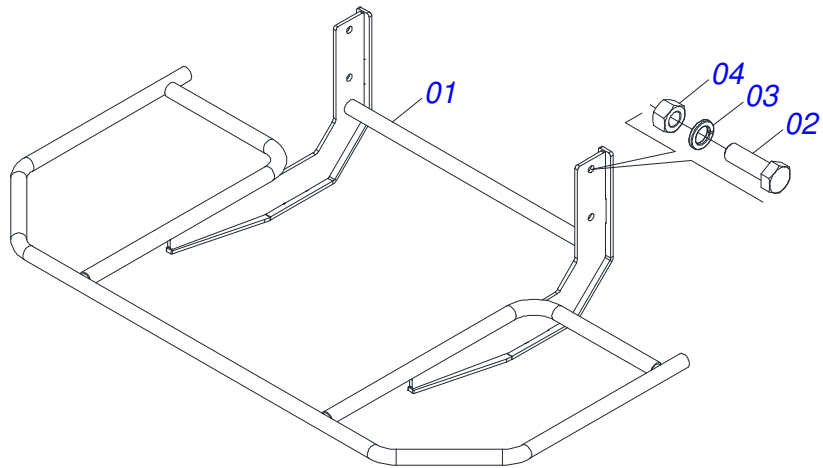
Item	Code	Description	See page	QT
01	0502011456	REDUCTION BOX		01
02	0503011095	6208 BALL BEARING		02
03	0501051774	38Z CROWN	6	01
04	0503011304	1/2" X 2.4" KEYWAY SQUARE		01
05	0503010818	02675-BRG SEAL		01
06	0521010996	AXLE		01
07	0502020556	LARGER COVER		01
08	0503010240	BOLT		10
09	0503010016	BEARING LM		02
10	0521010997	SCREW THEAD		01
11	0503011171	00912-BRG SEAL		01
12	0502011457	SMALLER COVER		01
13	0503030981	102 X 75,5 X 0,10 JOINT		01
14	0521011023	PLUG		01
15	0513010009	LEVEL DISPLAY		01
16	0503010856	OIL PLUG		01



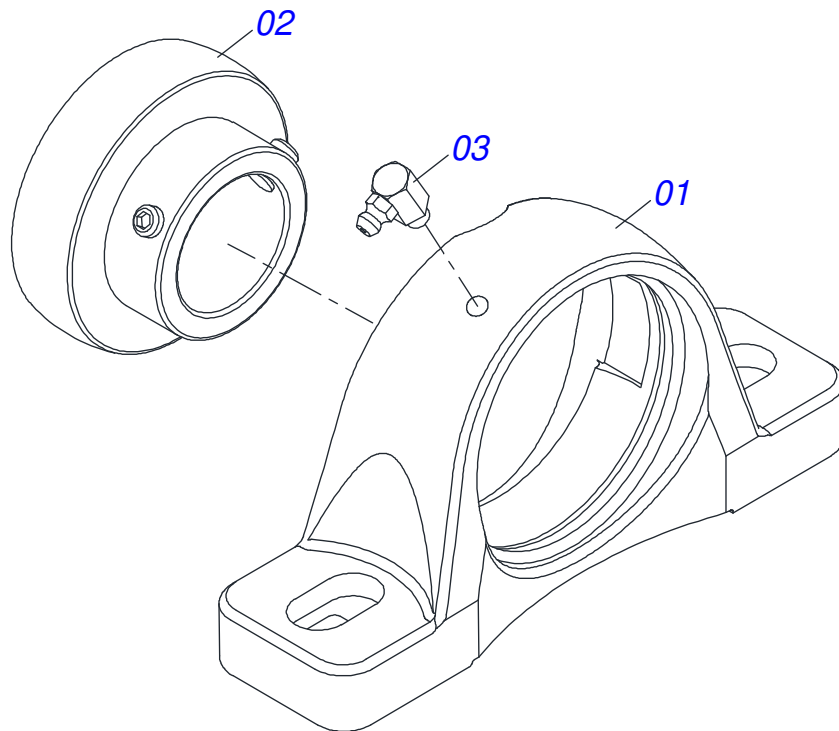
Item	Code	Description	See page	QT
01	0501110280	38Z CONICAL		01
02	0503010365	BOLT 5/16 UNC X 1.1/4 C S G.5 ZN		03



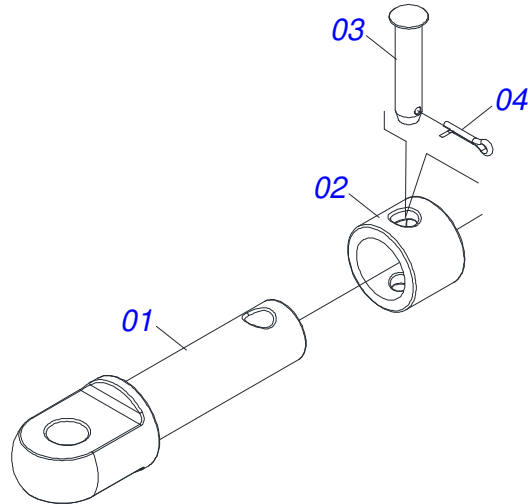
Item	Code	Description	See page	QT
01	0502011954	AGRICULTURAL HOUSING BEARING		01
02	0503011884	BALL BEARING		01
03	0503010691	1/4" GREASE FITTING		01



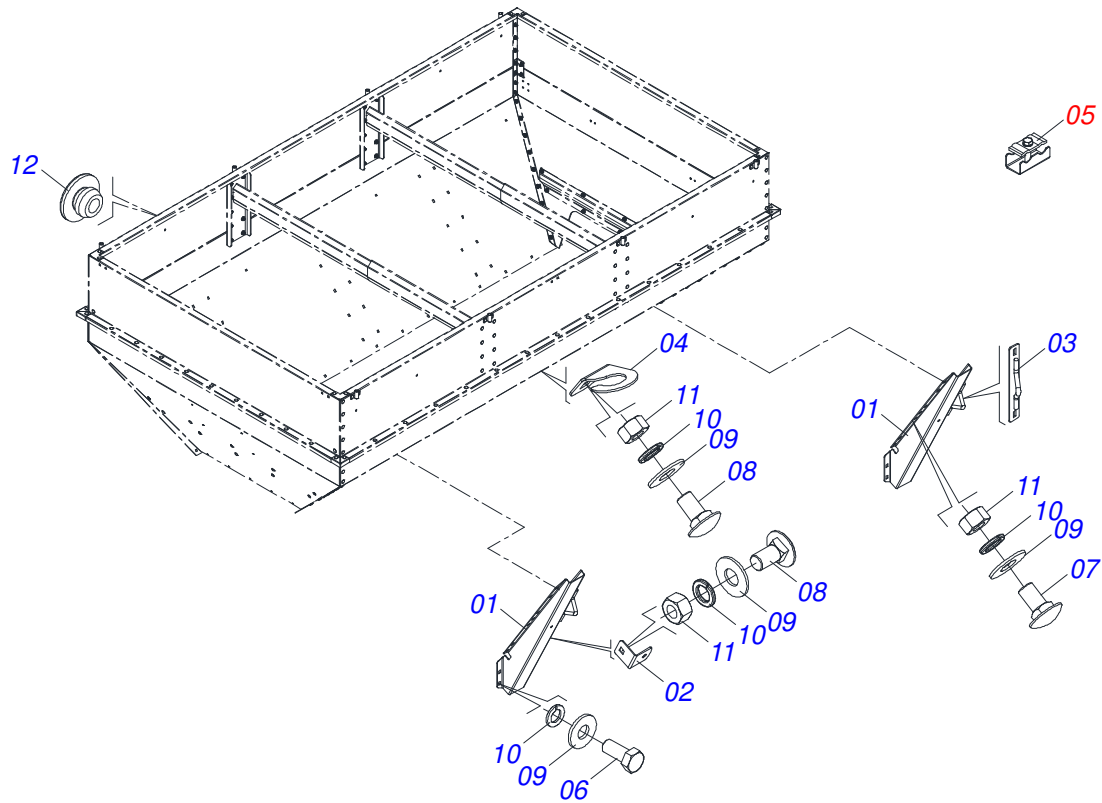
Item	Code	Description	See page	QT
01	0531061724	DISK PROTECTOR		01
02	0503010920	1/2 UNC X 1.1/2 C S G.5 ZN BOLT		04
03	0503011440	SPRING WASHER		04
04	0503010060	1/2 UNC G.5 ZN HEX NUT		04



Item	Code	Description	See page	QT
01	0502011050	AGRICULTURAL HOUSING BEARING		01
02	0503011163	1108/UCR BEARING ASSY		01
03	0503010004	1890 GREASE FITTING		01

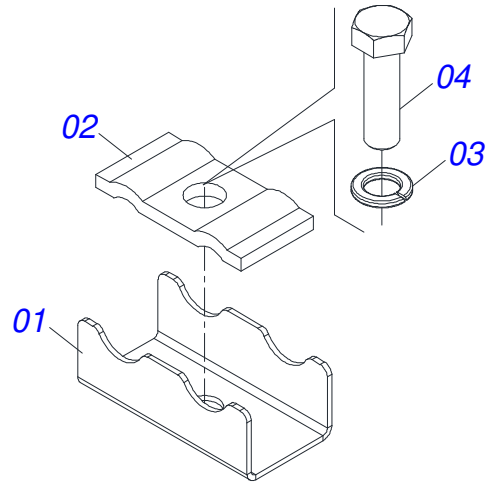


Item	Code	Description	See page	QT
01	1902040223	PIN HITCH		01
02	1902040327	LOCK SLEEVE		01
03	0521010579	COUPLING SHAFT		01
04	0503010571	1/4" X 1.1/2 COTTERPIN		01

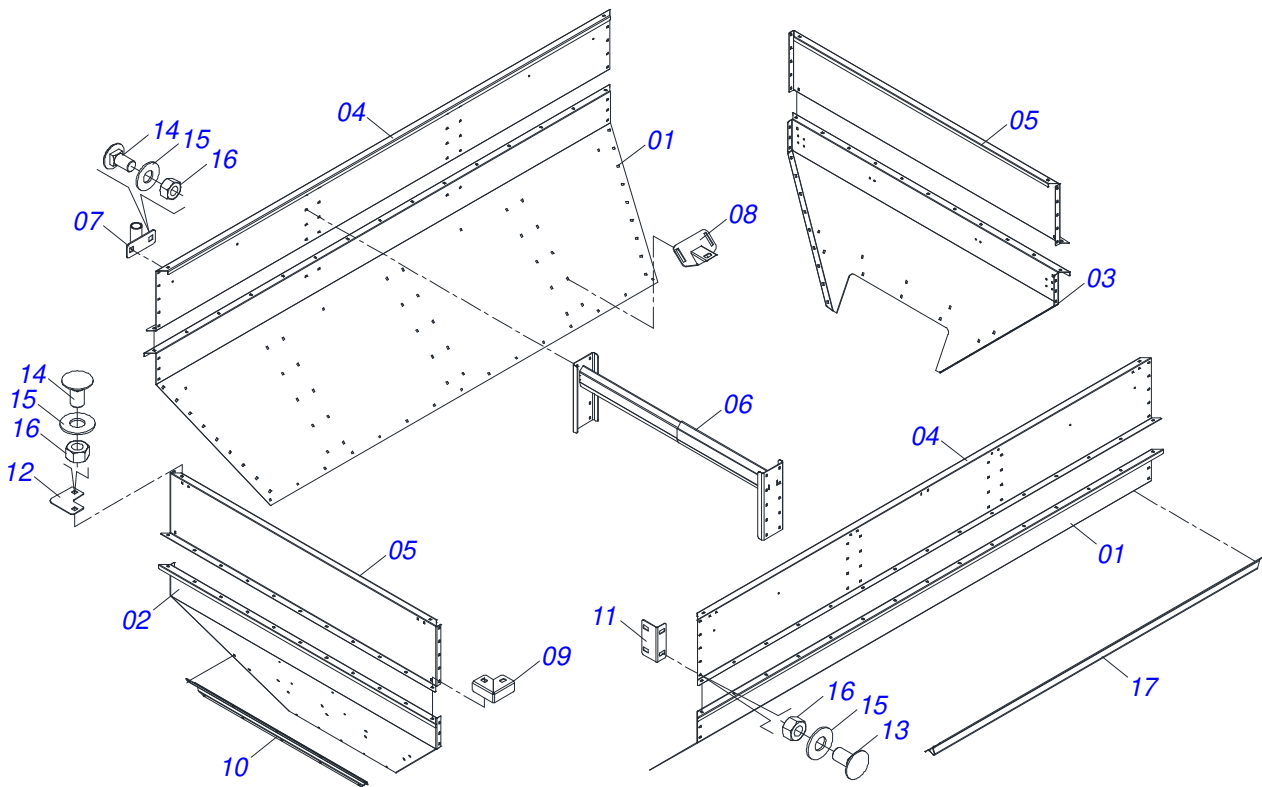


Item	Code	Description	See page	QT
01	0531064586	BUCKET REINFORCEMENT		06
02	0501213938	STAINLESS MANUAL DOOR FIXING		01
03	0531063950	STAINLESS LIFTING SUPPORT		04
04	0501213941	FIXATION STAINLESS STEEL		08
05	0531056577	STAINLESS STEEL CLIP	12	03
06	0503010237	3/8" X 1" BOLT		24
07	0503012540	3/8" X 1" BOLT		62
08	0503013755	3/8" UNC X 3/4" CS BOLT		56
09	0503016878	FLAT WASHER		142
10	0503012535	3/8" SPRING WASHER		24
11	0503019604	SELF LOCKING HEX NUT WITH NYLON 3/8 UNC 2B		118
12	0513010228	HOLE PLUG		34

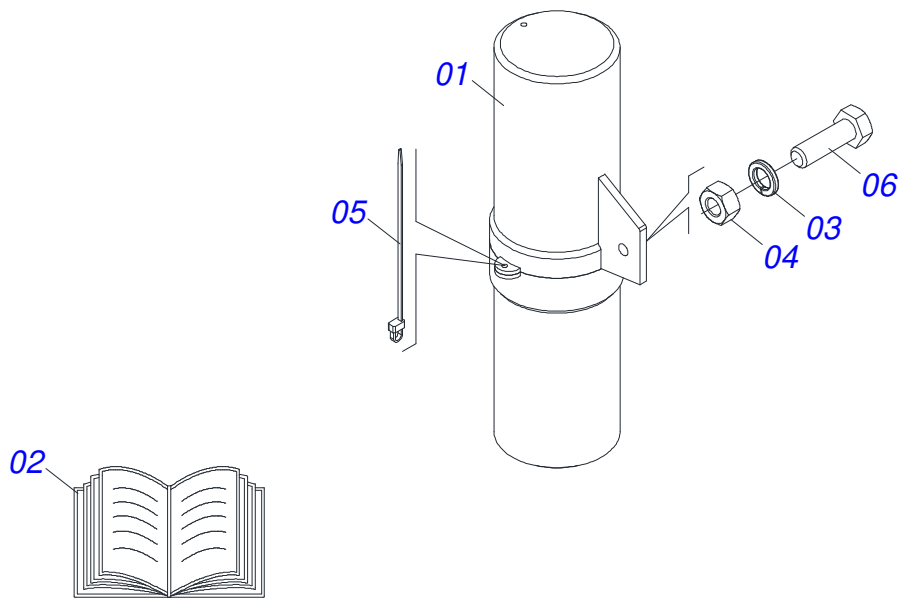




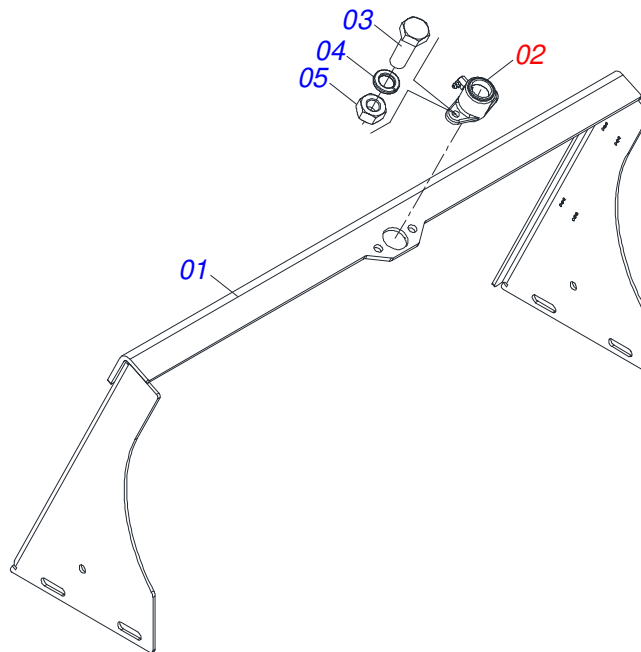
Item	Code	Description	See page	QT
01	0501216203	STAINLESS STEEL CLAMP		01
02	0531011180	UPPER BODY CLIP		01
03	0503010025	3/8 SPRING WASHER		01
04	0501010096	3/8" X 2" BOLT		01



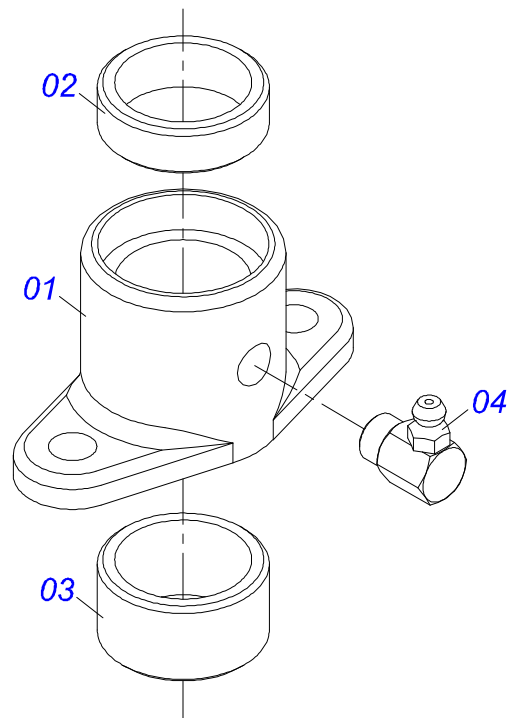
Item	Code	Description	See page	QT
01	0501215891	STAINLESS BUCKET SIDE BODY		02
02	0501215894	STAINLESS BUCKET FRONT BODY		01
03	0501215895	STAINLESS BUCKET REAR BODY		01
04	0501215896	BUCKET SIDE SUPPLEMENT BODY		02
05	0501215897	FRONT BUCKET SUPPLEMENT BODY		02
06	0531064825	BUCKET INTERNAL LOCK		02
07	0531063943	STAINLESS ARC SUPPORT		08
08	0531064585	STAINLESS STEEL DEFLECTOR SUPPORT		06
09	0501216457	CLOSING BOX CORNER		04
10	0501215902	BUCKET REINFORCEMENT PLATE		02
11	0501215900	INTERNAL SIDE REINFORCEMENT		04
12	0501216456	STAINLESS CONNECTION SUPPORT		04
13	0503012540	3/8" X 1" BOLT		08
14	0503013755	3/8" UNC X 3/4" CS BOLT		240
15	0501219147	FLAT WASHER 13 X 24 X 3,00 INOX		248
16	0503019604	SELF LOCKING HEX NUT WITH NYLON 3/8 UNC 2B		248
17	0501219098	SIDE INTERNAL REINFORCEMENT		02



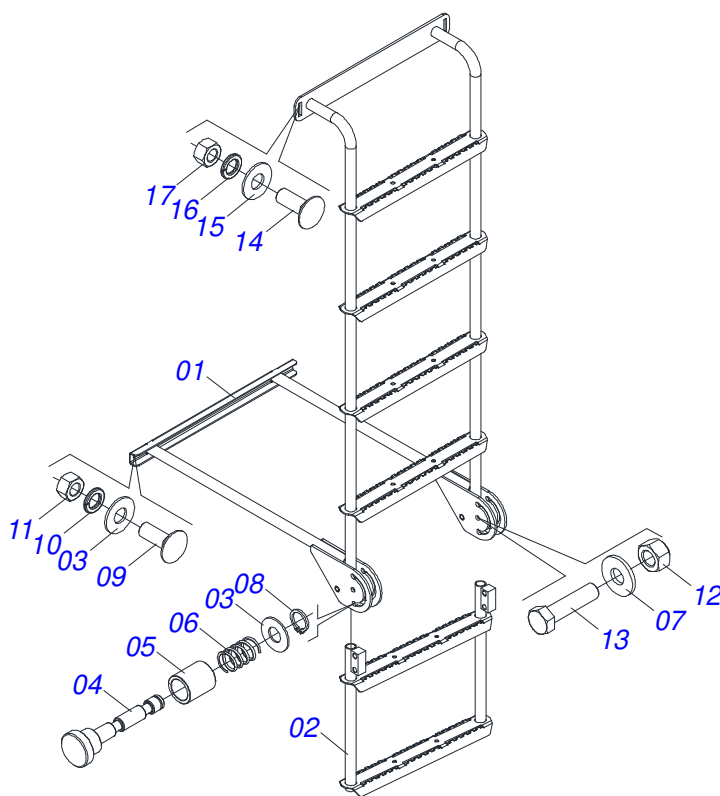
Item	Code	Description	See page	QT
01	0503060100	INSTRUCTIONS MANUAL CANISTER		01
02	0501098989	INSTRUCTION MANUAL		01
03	0503010179	LOCK WASHER 5/16 ZN 1K01528		01
04	0503010337	5/16" NUT		01
05	0503010267	NYLON CLAMP		01
06	0503010363	BOLT 5/16 UNC X 1 C S G.2 ZN		01



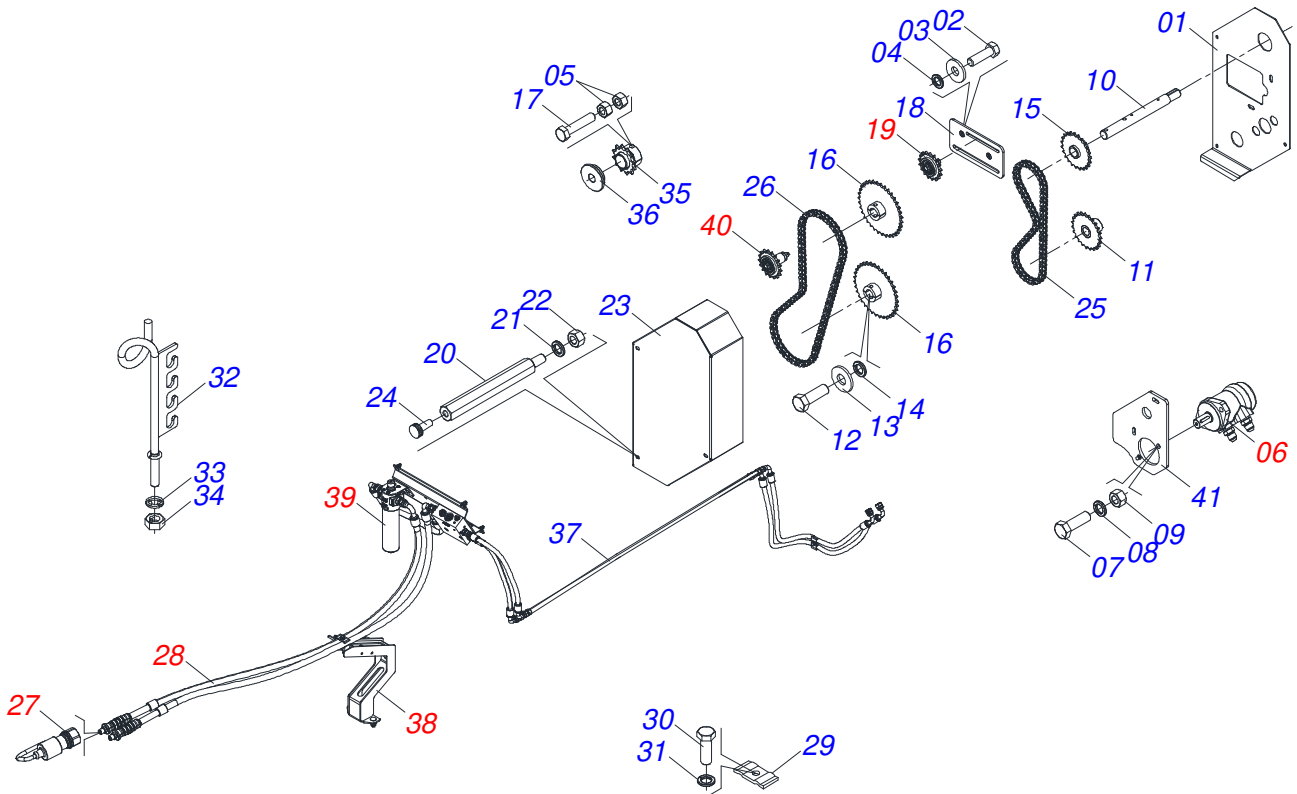
Item	Code	Description	See page	QT
01	0531064261	ASSY SUPPORT		01
02	0511059094	SHAFT BEARING THREADED	16	01
03	0503010363	BOLT 5/16 UNC X 1 C S G.2 ZN		02
04	0503011444	SPRING WASHER		02
05	0503010337	5/16" NUT		02



Item	Code	Description	See page	QT
01	0502010581	ROD BEARING		01
02	0521010458	SLEEVE		01
03	0521010457	SLEEVE		01
04	0503010004	1890 GREASE FITTING		01



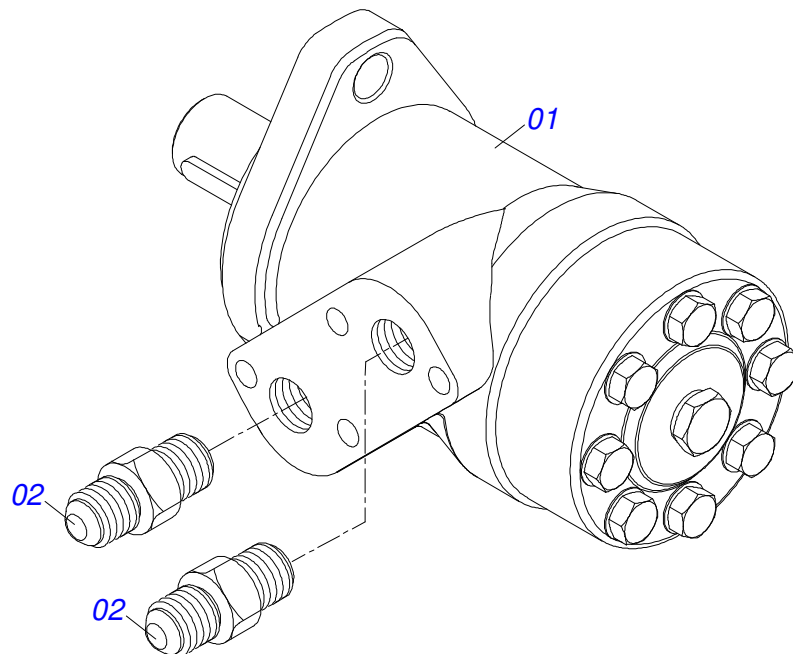
Item	Code	Description	See page	QT
01	0531064587	LADDER		01
02	0521067130	LADDER EXTENDER		01
03	0501013518	FLAT WASHER		02
04	0571019930	EXTENSION LOCK AXLE		01
05	0571019931	GUIDE GLOVE		01
06	0503032035	0.7" X 1.2" X 1" COMPRESSION SPRING		01
07	0501013519	FLAT WASHER		03
08	0503010291	501012 CLAMPING RING (FOR AXLE)		01
09	0501011643	3/8 X 1" BOLT		02
10	0503010025	3/8 SPRING WASHER		02
11	0503010026	3/8" NUT		02
12	0503010589	1/2" UNC SELF ADJUSTING NUT		02
13	0503010734	1/2" X 2-1/2" BOLT		02
14	0503012540	3/8" X 1" BOLT		02
15	0503016878	FLAT WASHER		02
16	0503012535	3/8" SPRING WASHER		02
17	0503012531	3/8" INOX NUT		02



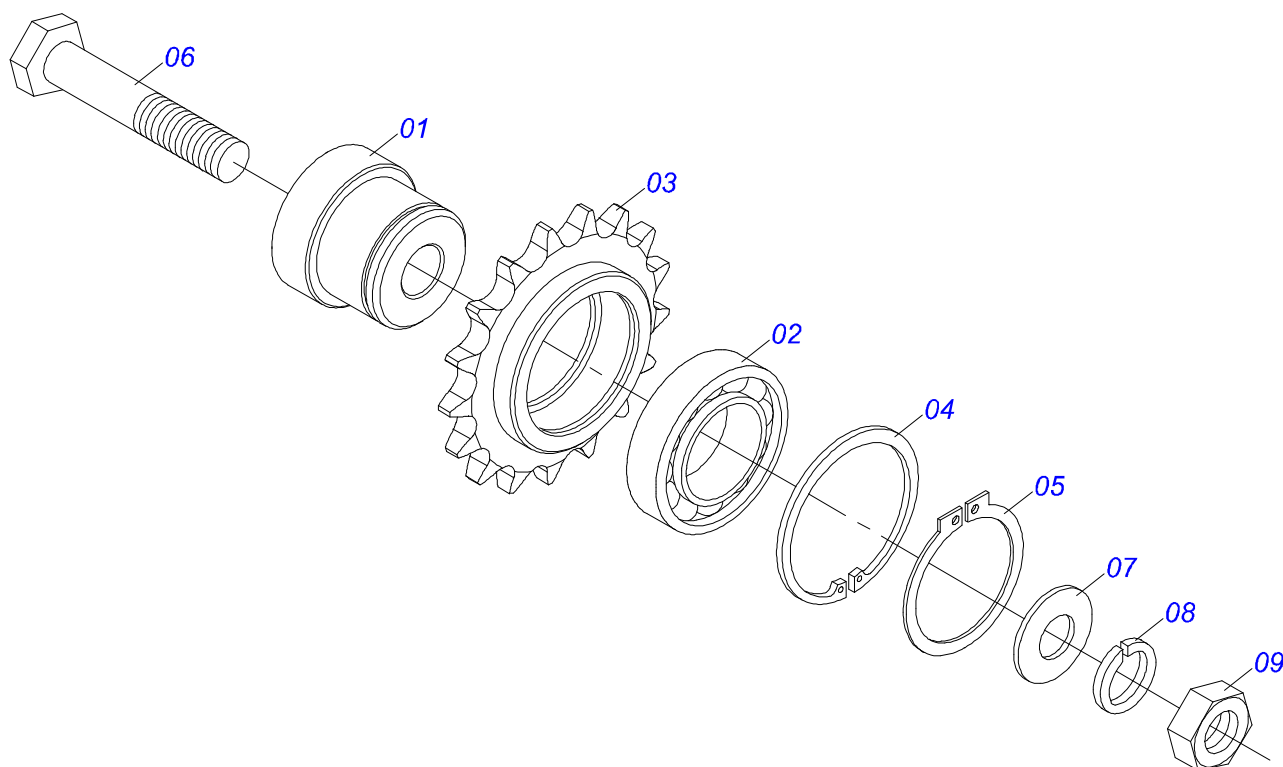
Item	Code	Description	See page	QT
01	0571015456	PROTECTION REAR		01
02	0503010849	3/8" X 1-1/2" BOLT		04
03	0501010984	10,50 X 27 X 3,00 FLAT WASHER		07
04	0503011443	3/8" SPRING WASHER		05
05	0503010026	3/8" NUT		09
06	0511053588	MOTOR HYDRAULIC OMP 80 WITH NIPPLE 7/8 NIPPE 7/8		01
07	0503010920	1/2 UNC X 1.1/2 C S G.5 ZN BOLT		02
08	0503011440	SPRING WASHER		02
09	0503010060	1/2 UNC G.5 ZN HEX NUT		02
10	0571015190	DRIVE AXLE		01
11	0521064566	GEAR HIDRAULIC MOTOR		01
12	0503011257	M 8 X 1,25 X 30 BOLT		01
13	0501010694	FLAT WASHER		01
14	0503011444	SPRING WASHER		01
15	0521063041	GEAR 23Z		01
16	0501069020	35Z GEAR		02
17	0503011141	3/8" X 2-3/4" BOLT		04
18	0521064691	SUPPORT TENSIONER		01
19	0511054496	TENSIONER SMALEER ASSY	20	01
20	0571015189	PRISONER 3/8"		03
21	0503010025	3/8 SPRING WASHER		03
22	0503010026	3/8" NUT		03
23	0571015457	CHAIN CAP		01
24	0503010386	CABLE		03
25	0503013061	50-1 CHAIN X 64 LINK + REDUCTION		01
26	0503013003	50-1 CHAIN X 79 LINK + REDUCTION + MENDING		01
27	0501053834	MALE QUICK COUPLER	21	02
28	0521058120	SIMPLE HYDRAULIC ACTUATION HOSE SET	22	01
29	0531011180	UPPER BODY CLIP		05
30	0503012555	SCREW 7/16 UNC X 2 CS RT G.7 ZN		05
31	0503010180	7/16" SPRING WASHER		05

<b>Item</b>	<b>Code</b>	<b>Description</b>	<b>See page</b>	<b>QT</b>
32	0501060409	HOSE SUPPORT ASSY		01
33	0503010023	3/4" SPRING WASHER		01
34	0503010014	3/4" HEX NUT		01
35	0501069017	12Z GEAR		01
36	0581011125	LOCK WASHER		01
37	0531060946	OIL DUCT 3000 R.7/8 UNF 14 FPP		02
38	0521058094	SUPPORT HOSE	23	01
39	0521057951	SUPPORT SIMPLE HYDRAULIC DRIVE	24	01
40	0511054497	TENSIONER LARGER ASSY	28	01
41	0571015182	HIDRAULIC MOTOR SUPPORT		01

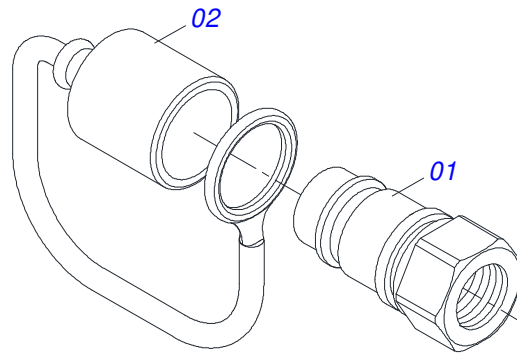




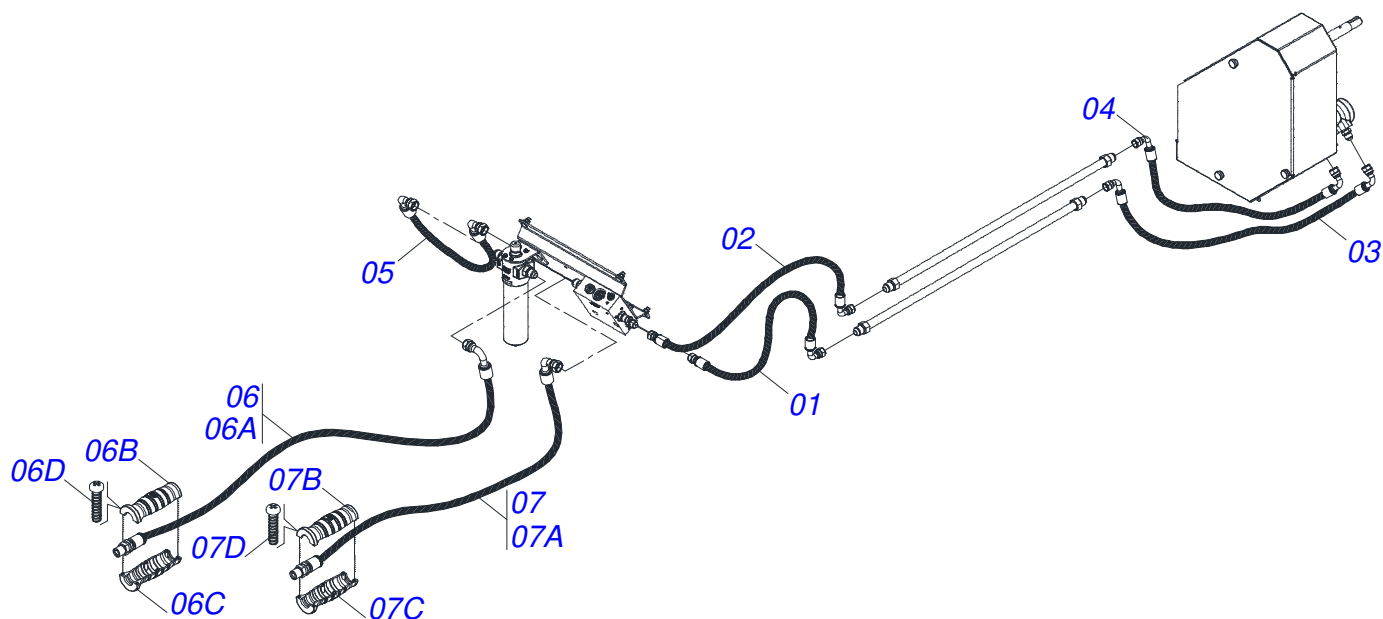
Item	Code	Description	See page	QT
01	0503016055	PARKER OMP 80 ISOBUS HYDRAULIC MOTOR		01
02	0511014065	7/8" NF X R1/2NPT X 52 NIPPLE		02



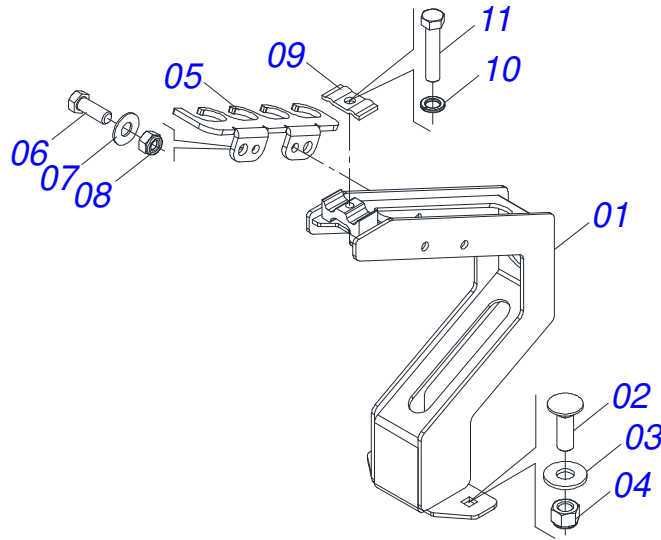
Item	Code	Description	See page	QT
01	0571015185	AXLE TIGHTENER 26		01
02	0503011410	ROLLER BEARING		01
03	0511061836	17Z GEAR		01
04	0503011105	SEAL RING		01
05	0503010406	501025 CLAMPING RING (FOR AXLE)		01
06	0501010096	3/8" X 2" BOLT		01
07	0501010984	10,50 X 27 X 3,00 FLAT WASHER		01
08	0503010025	3/8 SPRING WASHER		01
09	0503010026	3/8" NUT		01



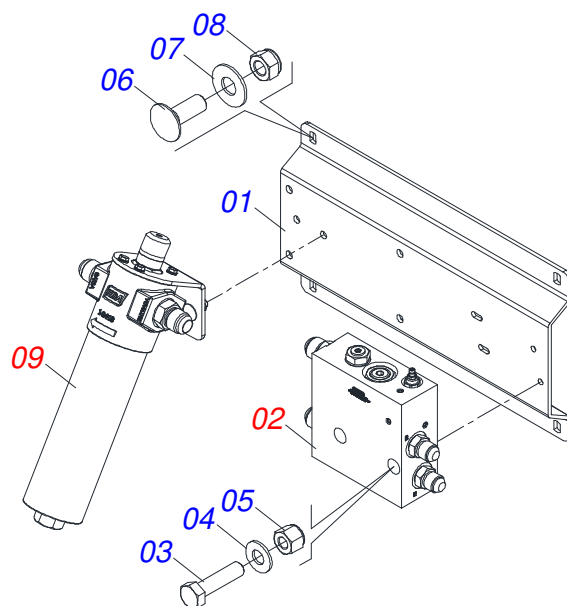
Item	Code	Description	See page	QT
01	0503011627	MALE QUICK COUPLER AGR 1/2 NPT		01
02	0503011882	MALE QUICK COUPLER CAP		01



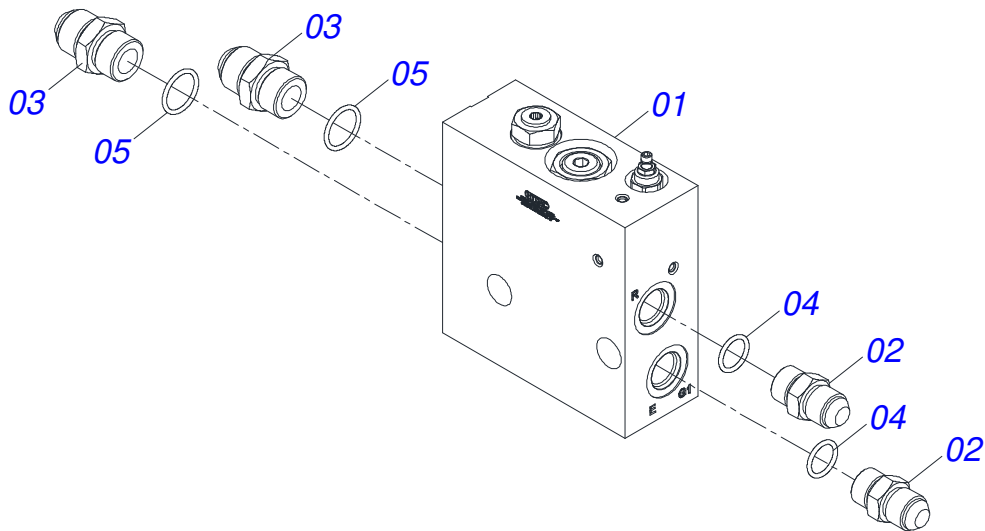
Item	Code	Description	See page	QT
01	0501081235	1/2 X 650 TR- TC HOSE		01
02	0501080218	1/2 X 750 HOSE		01
03	0501082303	HOSE 1/2 X 930 TC-TC 90G		01
04	0501082304	1/2 X 1000 TR-TC HOSE		01
05	0501081365	HOSE 3/4 X 680 TC-TC 180G		01
06	0521057977	HOSE 3/4 X 2100 TC-TM AMARILLO/AZUL		01
06A	0501082295	HOSE 3/4 X 2100 TC - TM R.1/2NPT		01
06B	0503034493	HYDRAULIC HOSE DEPTH (YELLOW)		01
06C	0503034494	HYDRAULIC HOSE GRIP (BLUE)		01
06D	0503018952	PLASTIC BOLT		06
07	0521057976	HOSE 3/4 X 2100 TC-TM YELLOW/RED		01
07A	0501082295	HOSE 3/4 X 2100 TC - TM R.1/2NPT		01
07B	0503034493	HYDRAULIC HOSE DEPTH (YELLOW)		01
07C	0503034495	HYDRAULIC HOSE GRIP (RED)		01
07D	0503018952	PLASTIC BOLT		06



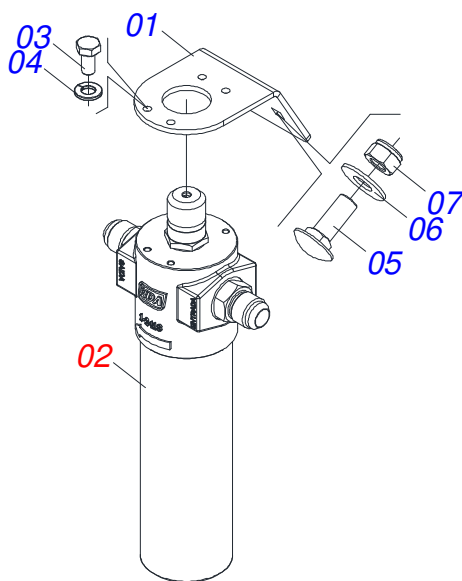
Item	Code	Description	See page	QT
01	0531060944	HOSE HOLDER ASSY		01
02	0503014378	1/2" X 1-1/2" BOLT		02
03	0511017302	FLAT WASHER 13,50 X 32,50 X 3,0 ZN		02
04	0503010589	1/2" UNC SELF ADJUSTING NUT		02
05	0591018556	HOSE FIXER ASSY		01
06	0503011087	3/8" X 1" BOLT		02
07	0501013518	FLAT WASHER		02
08	0503013357	3/8 SELF-ADJUSTING NUT		02
09	0531011180	UPPER BODY CLIP		01
10	0503010180	7/16" SPRING WASHER		01
11	0503011173	7/16" X 2" BOLT		01



Item	Code	Description	See page	QT
01	0591013644	SUPPORT SET HIDRAULICO		01
02	0521057953	BLOCK HYDAC	25	01
03	0503011766	5/16" X 2-1/2" BOLT		02
04	0501010694	FLAT WASHER		02
05	0503013759	NUT		02
06	0501011643	3/8 X 1" BOLT		04
07	0501013518	FLAT WASHER		04
08	0503013357	3/8 SELF-ADJUSTING NUT		04
09	0521057952	FILTER PRES PARKER HDA FP20 10FV 06B LV6	26	01

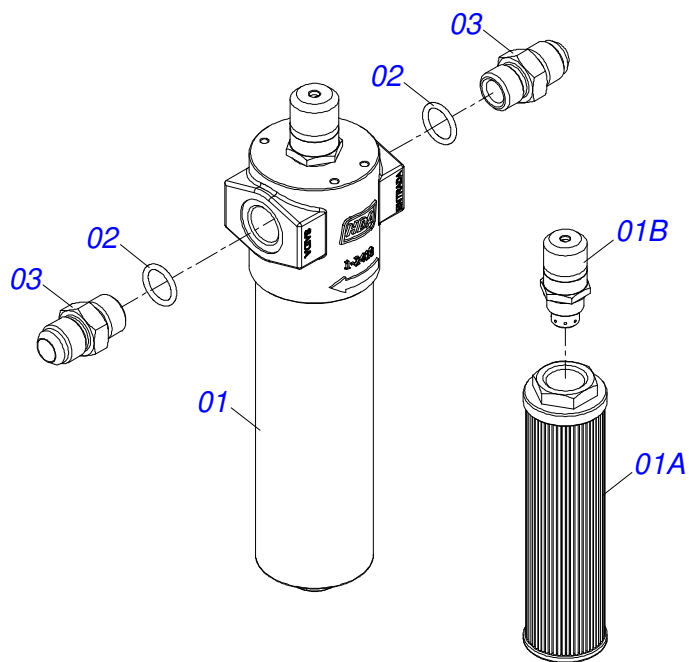


Item	Code	Description	See page	QT
01	0503063271	BLOCK		01
02	0501010590	NIPPLE		02
03	0501010589	R. 1.1/16UN SEXT 1.1/4 X 52 NIPPLE		02
04	0503010045	O'RING		02
05	0503011109	2-119 N 3006-9B O'RING		02

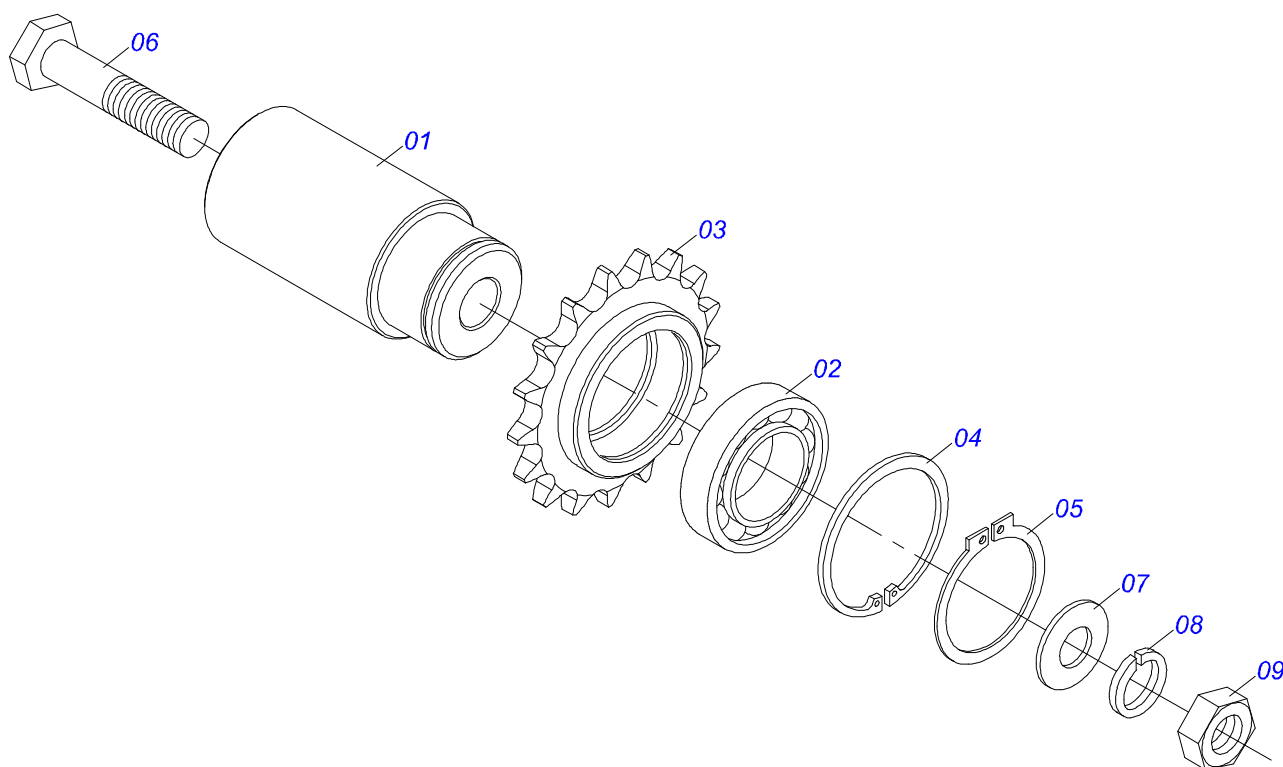


Item	Code	Description	See page	QT
01	0591013645	PRESSURE FILTER SUPPORT		01
02	0521057599	FILTER PRESS PARKER HDA FP20 10FV 06B LV6 WITH NIPPLE	27	01
03	0503011812	BOLT M6 X 1 X 12 CS 8.8 ZN		04
04	0503010143	1/4" SPRING WASHER		04
05	0501011643	3/8 X 1" BOLT		02
06	0501013518	FLAT WASHER		02
07	0503013357	3/8 SELF-ADJUSTING NUT		02

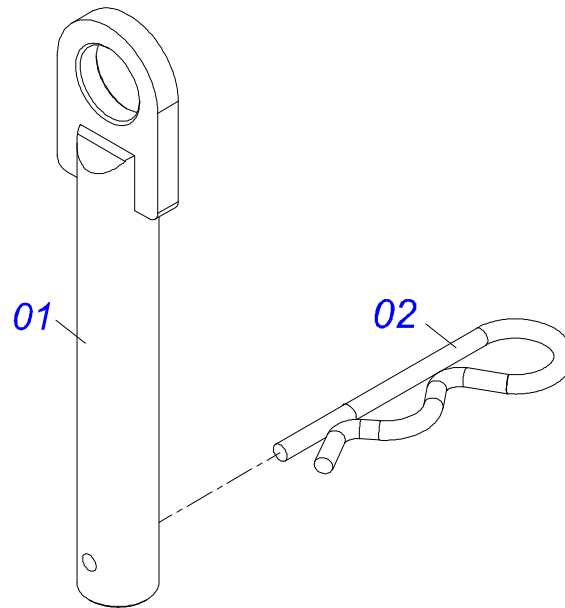




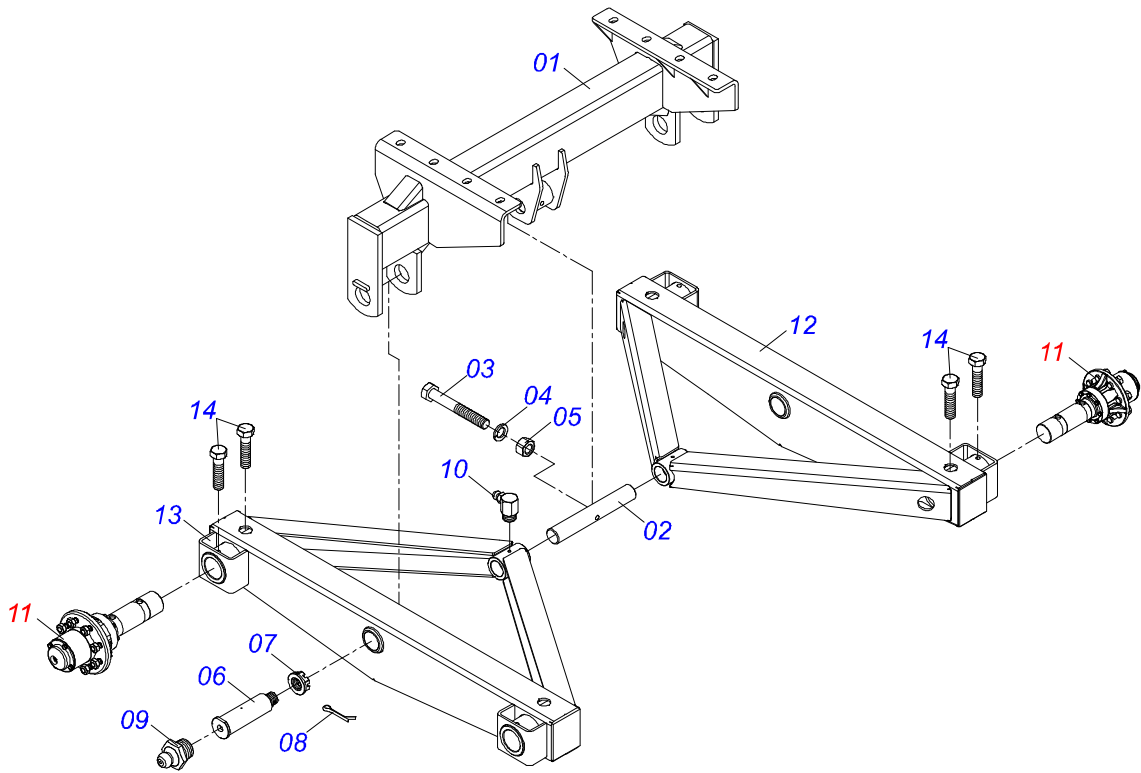
Item	Code	Description	See page	QT
01	0503063077	PRESSURE FILTER PARKER HDA FP20 10FV 06B LV6		01
01A	0503035357	FILTERING ELEMENT FOR PRESSURE FILTER		01
01B	0503019963	DIRT PRESSURE LINE INDICATOR		01
02	0503010605	O'RING		02
03	0591012696	NIPPLE 3/4 BSP X 1.1/16 UNF		02



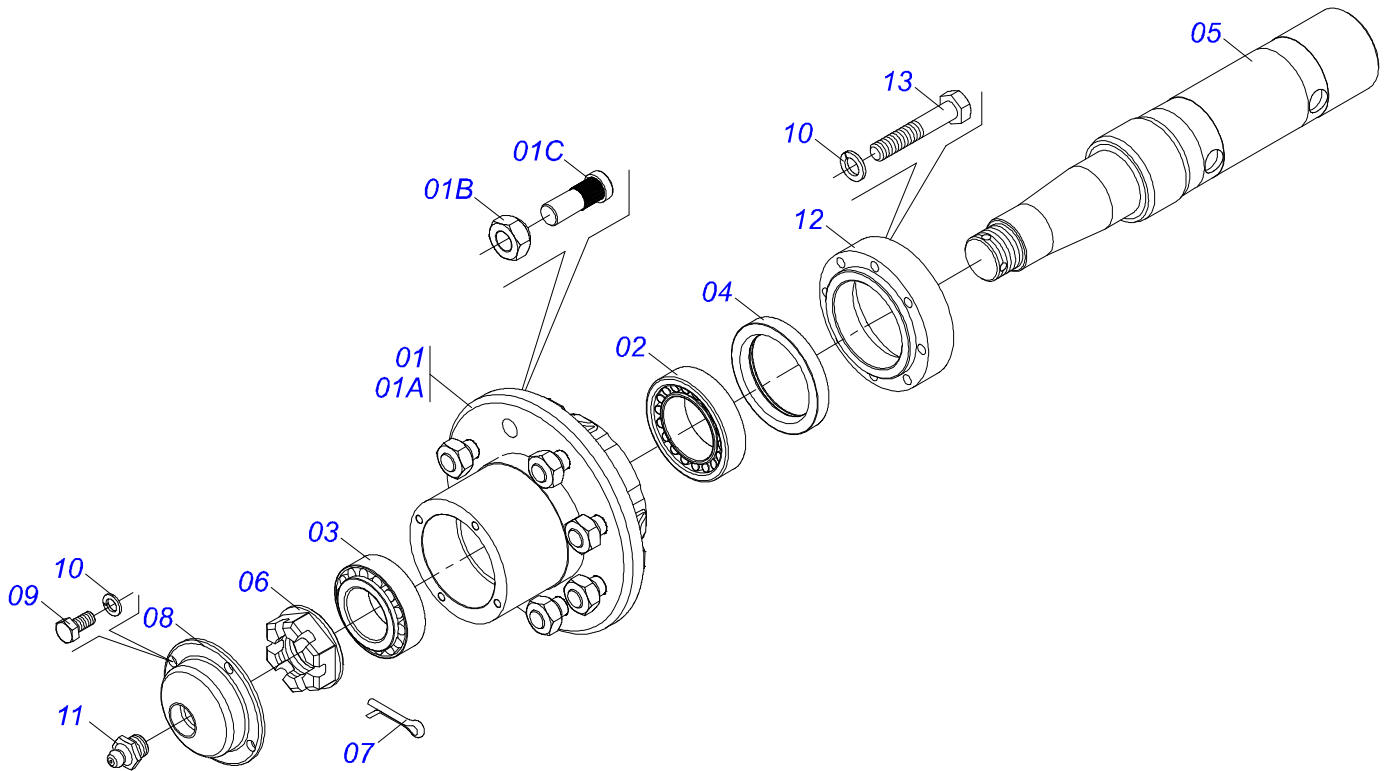
Item	Code	Description	See page	QT
01	0571015186	AXLE TIGHTENER 26		01
02	0503011410	ROLLER BEARING		01
03	0511061836	17Z GEAR		01
04	0503011105	SEAL RING		01
05	0503010406	501025 CLAMPING RING (FOR AXLE)		01
06	0503010718	3/8" X 3-1/2" BOLT		01
07	0501010984	10,50 X 27 X 3,00 FLAT WASHER		01
08	0503010025	3/8 SPRING WASHER		01
09	0503010026	3/8" NUT		01



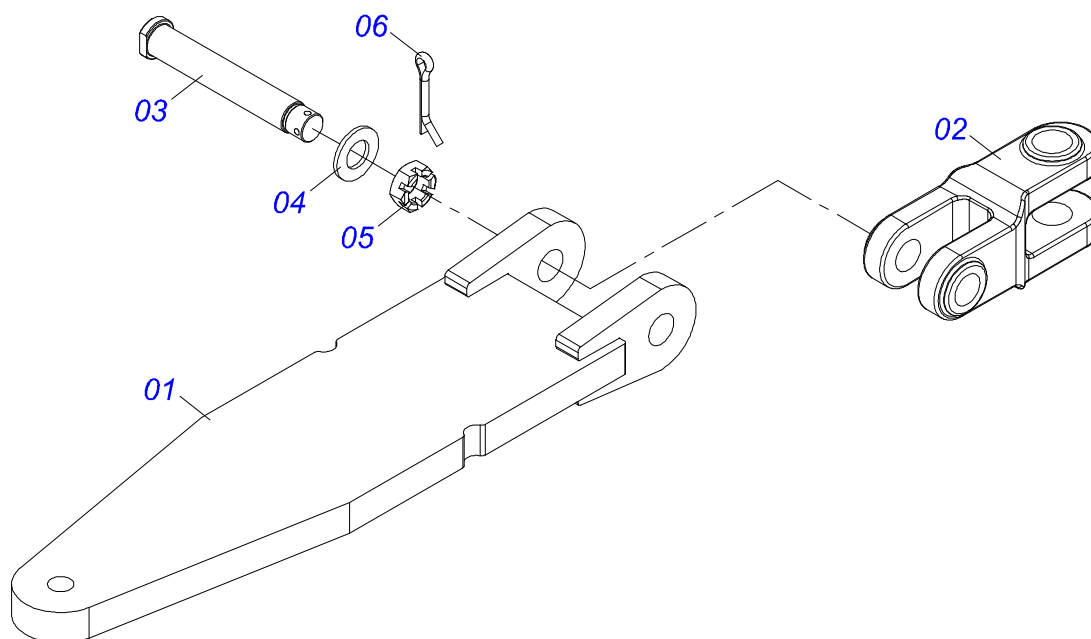
Item	Code	Description	See page	QT
01	0501068989	COUPLING SHAFT		01
03	0503031035	HITCH PIN CLIP		01



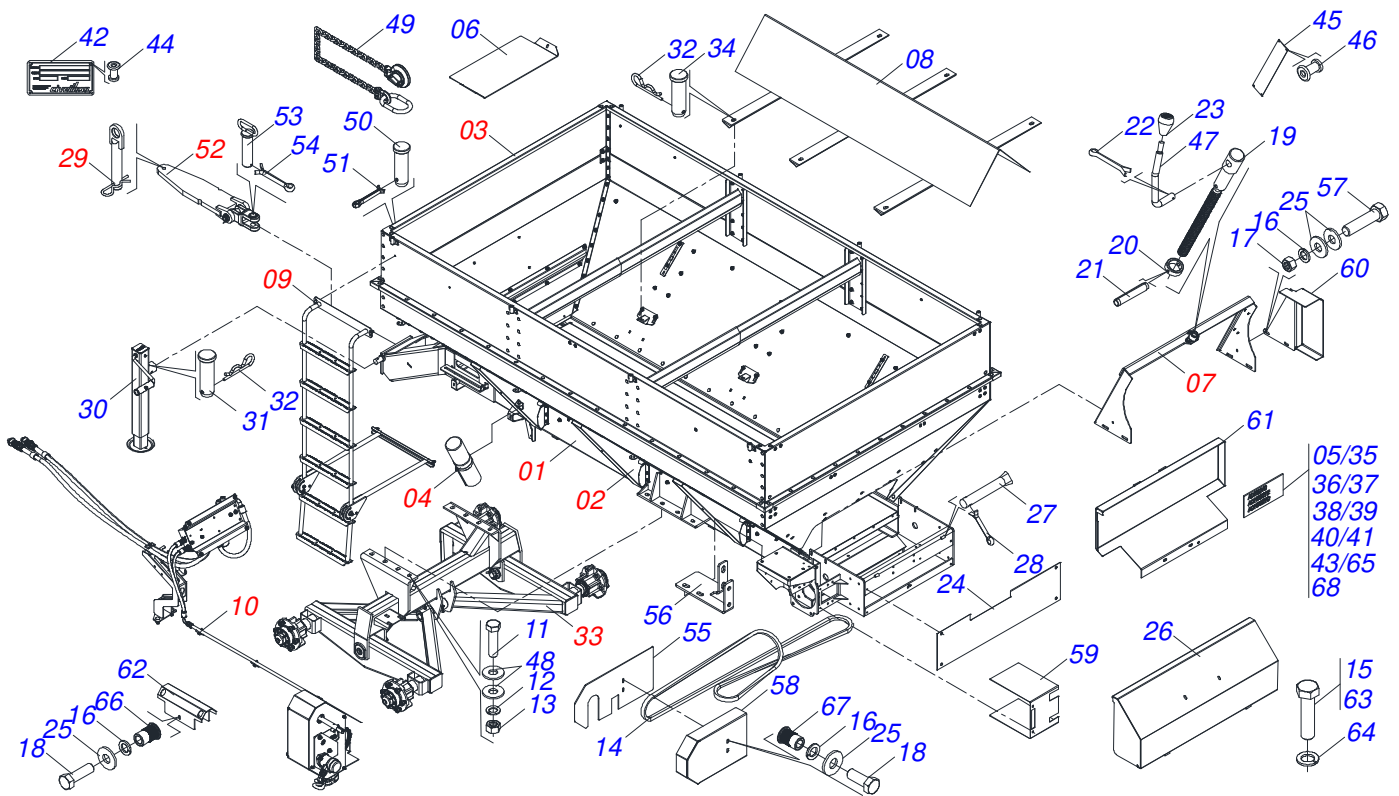
Item	Code	Description	See page	QT
01	0511063936	ROCKER ARM FIXER SUPPORT		01
02	0531016579	CENTRAL AXLE		01
03	0503010547	1/2" X 4" BOLT		01
04	0503011440	SPRING WASHER		01
05	0503010060	1/2 UNC G.5 ZN HEX NUT		01
06	0521069954	COUPLING SHAFT 60,10 X 183		02
07	0501011301	1.1/2 UNC 6FPP 2.5/16 NUT		02
08	0503010010	1/4" X 2.1/2" COTTERPIN		02
09	0503010002	1800 GREASE FITTING		02
10	0503010004	1890 GREASE FITTING		02
11	0501056347	CARRYING WHEELS WITHOUT TIRE	31	04
12	0511066145	RIGHT ROCKER ARM		01
13	0511066146	LEFT ROCKER ARM		01
14	0503010233	5/8" X 2-1/2" BOLT		08



Item	Code	Description	See page	QT
01	0501110763	CARRYING WHEEL HUB		01
01A	0502012318	CARRYING WHEEL HUB		01
01B	0503010064	5/8 UNF CONIC NUT		08
01C	0501011052	5/8" X 1-3/4" BOLT		08
02	0503013453	SKF 33011 ROLLER BEARING		01
03	0503013454	SKF 33109 ROLLER BEARING		01
04	0503010086	SEAL 0009B-B		01
05	0541015586	WHEEL AXLE		01
06	0501010630	1.1/2" CASTLE NUT		01
07	0503010523	1/4" X 2" SPLIT PIN		01
08	0502020592	COVER		01
09	0503010295	SCREW 5/16 UNC X 5/8 CS G.2 ZN		04
10	0503011444	SPRING WASHER		12
11	0503010002	1800 GREASE FITTING		01
12	0502012175	SEAL FLANGE		01
13	0503010397	5/16" X 1-3/4" BOLT		08



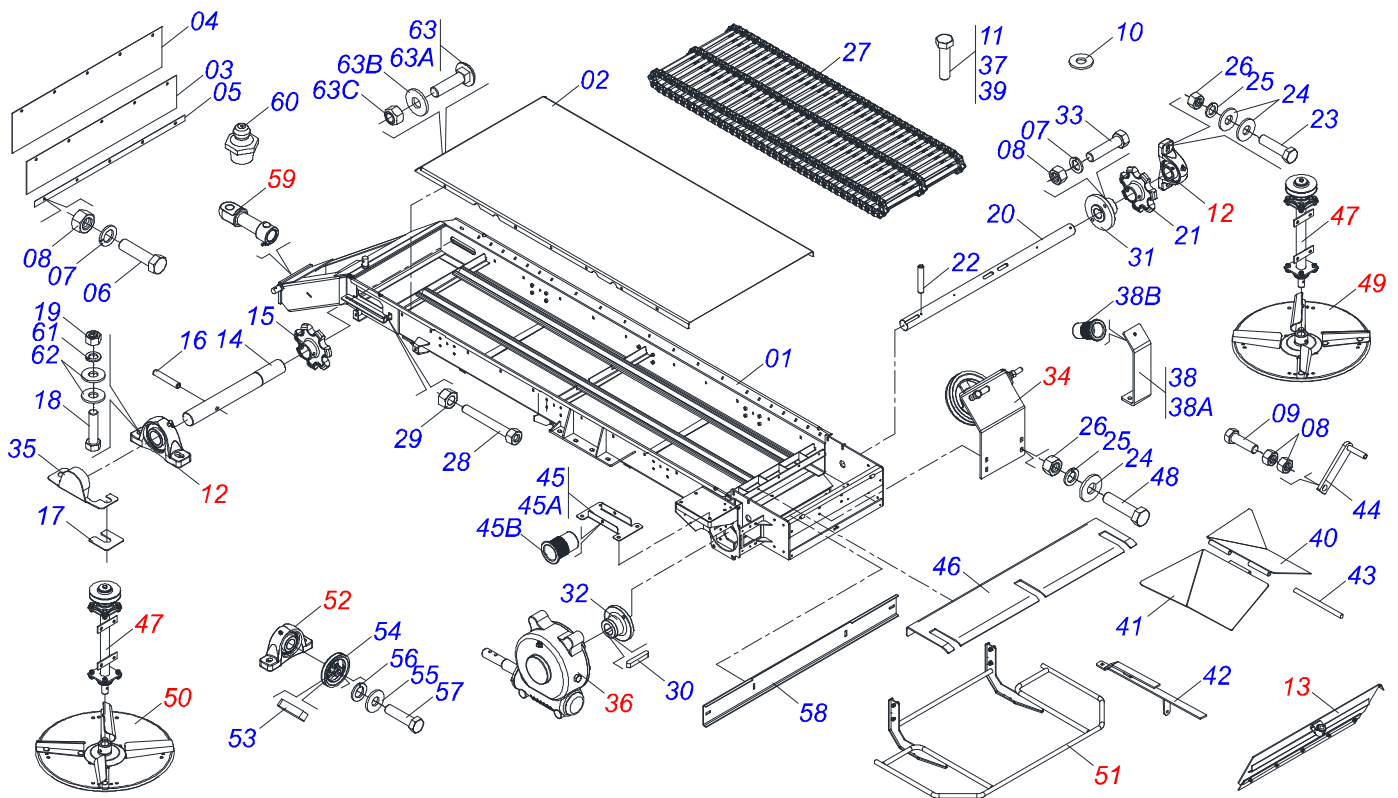
Item	Code	Description	See page	QT
01	0511066154	SEMI COUPLING		01
02	1902040330	TRACTOR HITCH		01
03	0541014957	PIN DRAG		01
04	0501017779	32 X 60 X 4.75 FLAT WASHER		01
05	0503011052	1.1/4" X 0.77" CASTLE NUT		01
06	0503010010	1/4" X 2.1/2" COTTERPIN		01



Item	Code	Description	See page	QT
01	0531056278	FRAME SEMI MOUNTED	34	01
02	0531056257	BUCKET FIXING KIT	11	01
03	0531056258	BUCKET ASSY	13	01
04	0531056195	MANUAL DOOR/CATALOG SET 3000/6000/8000/11000	- 14	01
05	0503068390	ADHESIVE LABEL SET		01
06	0501215831	FRONT PROTECTION		01
07	0531055517	COMPLETE SUPPORT WITH BEARING	15	01
08	0531064584	DEFLECTOR		01
09	0531043032	ASSY LADDER	17	01
10	0521058130	SIMPLE HYDRAULIC DRIVE ASSEMBLY	18	01
11	0501010125	3/4" X 2-1/2" BOLT		08
12	0503010023	3/4" SPRING WASHER		08
13	0503010014	3/4" HEX NUT		06
14	0503012941	C-148 BELT		01
15	0503010751	C3/8" X 1.1/4" HEX BOLT G.5		02
16	0503010025	3/8 SPRING WASHER		13
17	0503010026	3/8" NUT		11
18	0503010237	3/8" X 1" BOLT		11
19	0561014861	REGULATOR		01
20	0511013015	SLEEVE		01
21	0503010561	SPRING PIN		01
22	0503010257	1/8" X 1" COTTERPIN		01
23	0503030878	LEVER CRANK		01
24	0531014340	REAR PROTECTION		01
25	0501010984	10,50 X 27 X 3,00 FLAT WASHER		13
26	0511063408	REAR COVER PROTECTION		01
27	0501017574	0.3" X 2.7" AXLE		02
28	0503010140	1/8" X 3/4" COTTERPIN		02
29	0501047881	AXIS JOINT ASSY	29	01
30	0503062157	DRAWBAR JACK		01
31	0521010549	COUPLING SHAFT		01

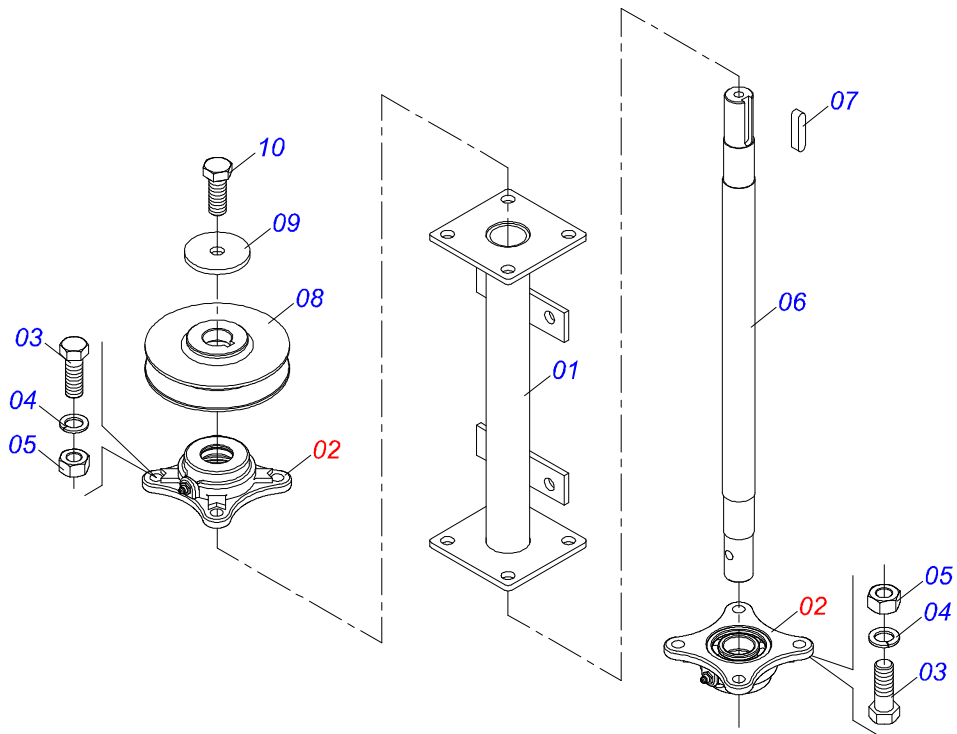
Item	Code	Description	See page	QT
32	0503030168	HITCH PIN CLIP		07
33	0511041110	BELL CRANK SUPPORT FIXATION	30	01
34	0521017623	0.5" X 1.5" COUPLING SHAFT		06
35	0503031859	ADHESIVE LABEL DANGER		02
36	0503031428	READ MANUAL DECAL		01
37	0503031827	LUBRICATE AND RETIGHTEN DAILY DECAL		01
38	0503033647	APPROVED BADGE		01
39	0503031809	ADHESIVE LABEL		01
40	0503031818	ADHESIVE LABEL		01
41	0503032425	ADHESIVE LABEL ATTENTION		01
42	0503034004	ALUMINUM IDENTIFICATION LABEL		01
43	0503032949	ADHESIVE LABEL		01
44	0503010001	3.2 X 5.5 RIVET		04
45	0503030751	REGULATOR PLATE		01
46	0503012209	RIVET POP		04
47	0521011107	CRANK BODY		01
48	0501010322	FLAT WASHER		16
49	0503013150	1300 X 3/8 CHAIN		01
50	0581011220	COUPLING SHAFT		01
51	0503010131	3/16" X 1-1/2" COTTERPIN		01
52	0511059024	ENGATE TRATOR COMPLETO	32	01
53	0511066176	HITCH PIN		01
54	0503010010	1/4" X 2.1/2" COTTERPIN		01
55	0591016127	SIDE PROTECTION BELT COVER		01
56	0591016126	FIXING BODY SIDE PROTECTION BELT		01
57	0503010849	3/8" X 1-1/2" BOLT		06
58	0591016128	SIDE PROTECTION BELT		01
59	0581017453	FLANGE PROTECTION COVER		01
60	0581017469	PROTECTION SIDE		01
61	0521068794	BELT INTERNAL PROTECTION		01
62	0581015152	COVER PROTECTION		01
63	0503010240	BOLT		02
64	0503010179	LOCK WASHER 5/16 ZN 1K01528		02
65	0503034648	ADHESIVE LABEL		01
66	0503019416	RIVET SCREW THREAD INTERNAL		02
67	0503019413	THREAD SCREW INTERNAL		04
68	0503035156	LABEL ADHESIVE		01



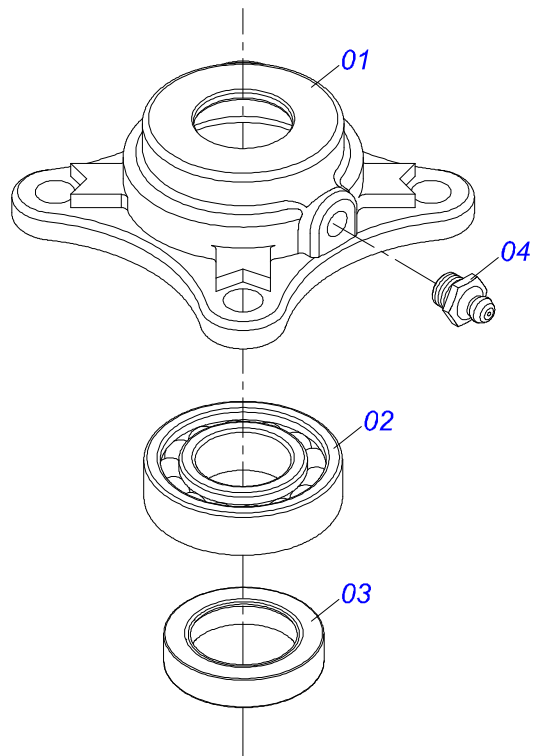


Item	Code	Description	See page	QT
01	0531064581	FRAME SEMI MOUNTED		01
02	0501215833	STAINLESS FLOOR		01
03	0531014336	31.4"X3.1"X 0.1" PROTECTION SMALLER		01
04	0531014337	PROTECTION LARGER		02
05	0531014331	SLUCE VALVE FIXER COVER		01
06	0503010237	3/8" X 1" BOLT		17
07	0503011443	3/8" SPRING WASHER		19
08	0503010026	3/8" NUT		11
09	0503010751	C3/8" X 1.1/4" HEX BOLT G.5		04
10	0501010984	10,50 X 27 X 3,00 FLAT WASHER		08
11	0503011267	5/8 UNC X 1.1/2 C S G.5 ZN BOLT		02
12	0501044308	AGRICULTURAL BEARING ASSY	9	04
13	0511059108	SLUCE VALVE COVER ASSY	4	01
14	0591016382	DRIVEN AXLE		01
15	0591016380	GEAR		01
16	0503010361	SPRING PIN		03
17	0501010794	HIDR CHOCK REGULATOR		04
18	0503010233	5/8" X 2-1/2" BOLT		04
19	0503010013	5/8 NUT		06
20	0591016381	DRIVING AXLE		01
21	0591016380	GEAR		01
22	0503010361	SPRING PIN		05
23	0503010740	BOLT 1/2 UNC X 2 CS G.5 ZN		08
24	0511017302	FLAT WASHER 13,50 X 32,50 X 3,0 ZN		16
25	0503011440	SPRING WASHER		22
26	0503010060	1/2 UNC G.5 ZN HEX NUT		22
27	0511065278	DRIVE THE TRANSPORT TALISCA		01
28	0501067853	ROD STABILIZER		02
29	0503010013	5/8 NUT		02
30	0501010540	KEYWAY SQUARE		02
31	0511016540	MAT COUPLING FLANGE		01

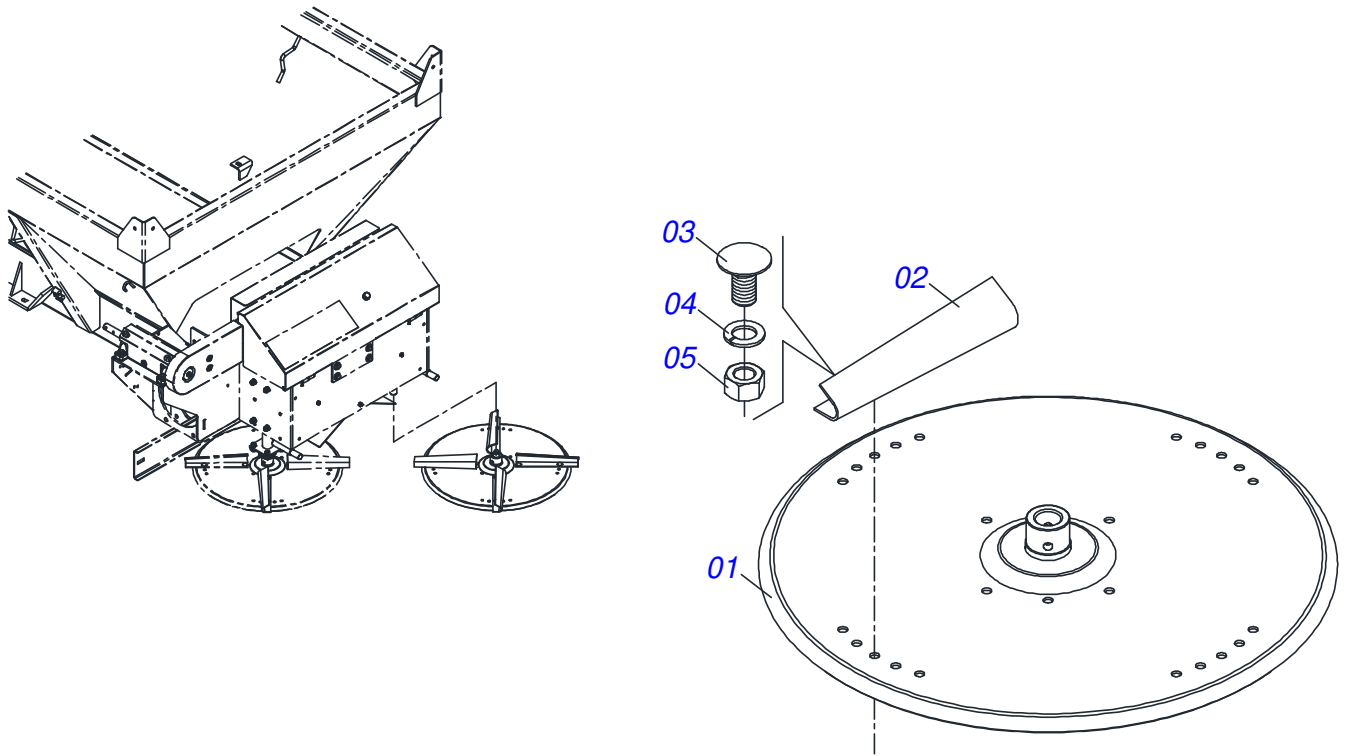
Item	Code	Description	See page	QT
32	0511016541	REDUCTION COUPLING FLANGE		01
33	0503010849	3/8" X 1-1/2" BOLT		03
34	0501053868	BELT TENSIONER ASSY	39	01
35	0521068822	BEARING PROTECTION		03
36	0501047985	REDUCER	5	01
37	0503011167	M16 X 2 X 30 BOLT		04
38	0531057279	BACK COVER FIXER		01
38A	0531015158	BACK COVER FIXER BODY		01
38B	0503019414	THREAD RIVET		01
39	0503010238	BOLT 1/2 UNC X 1.3/4 CS G.2 ZN		04
40	0511063659	RIGHT FLOW DIVIDING		01
41	0511063660	LEFT FLOW DIVIDING		01
42	0531061725	REAR DEFLECTOR SUPPORT		01
43	0531015309	TENSIONER OPEN		01
44	0501067368	DIVISOR REGULATOR OPEN		02
45	0531059022	PROTECTION COVER FIXER		01
45A	0581015151	FIXING BODY COVER PROTECTION		01
45B	0503019416	RIVET SCREW THREAD INTERNAL		02
46	0531014324	TOOTH COVER		01
47	0501054013	RIGHT BEARRING SUPPORT DISC	35	02
48	0503010920	1/2 UNC X 1.1/2 C S G.5 ZN BOLT		10
49	0501053870	DISTRIBUTOR RIGHT DISC ASSY	37	01
50	0501053871	DISTRIBUTOR LEFT DISC ASSY	38	01
51	0531050089	FULL DISK PROTECTOR	8	01
52	0511041213	AGRICULTURAL BEARING	7	03
53	0501010536	KEYWAY SQUARE		01
54	0502012936	1 C X 219 X 30 PULLEY		01
55	0511014052	FLAT WASHER		01
56	0503011446	SPRING WASHER		01
57	0503010355	7/16" X 1" BOLT		01
58	0531014338	BAMPER		01
59	0531050090	DRAWBOLT ASSY	10	01
60	0503011098	1/4" GREASE FITTING		04
61	0503011445	SPRING WASHER		10
62	0501012140	FLAT WASHER		08
63	0541050868	STAINLESS STEEL PLATFORM FIXATION KIT		01
63A	0503012540	3/8" X 1" BOLT		20
63B	0501219147	FLAT WASHER 13 X 24 X 3,00 INOX		20
63C	0503019604	SELF LOCKING HEX NUT WITH NYLON 3/8 UNC 2B		20



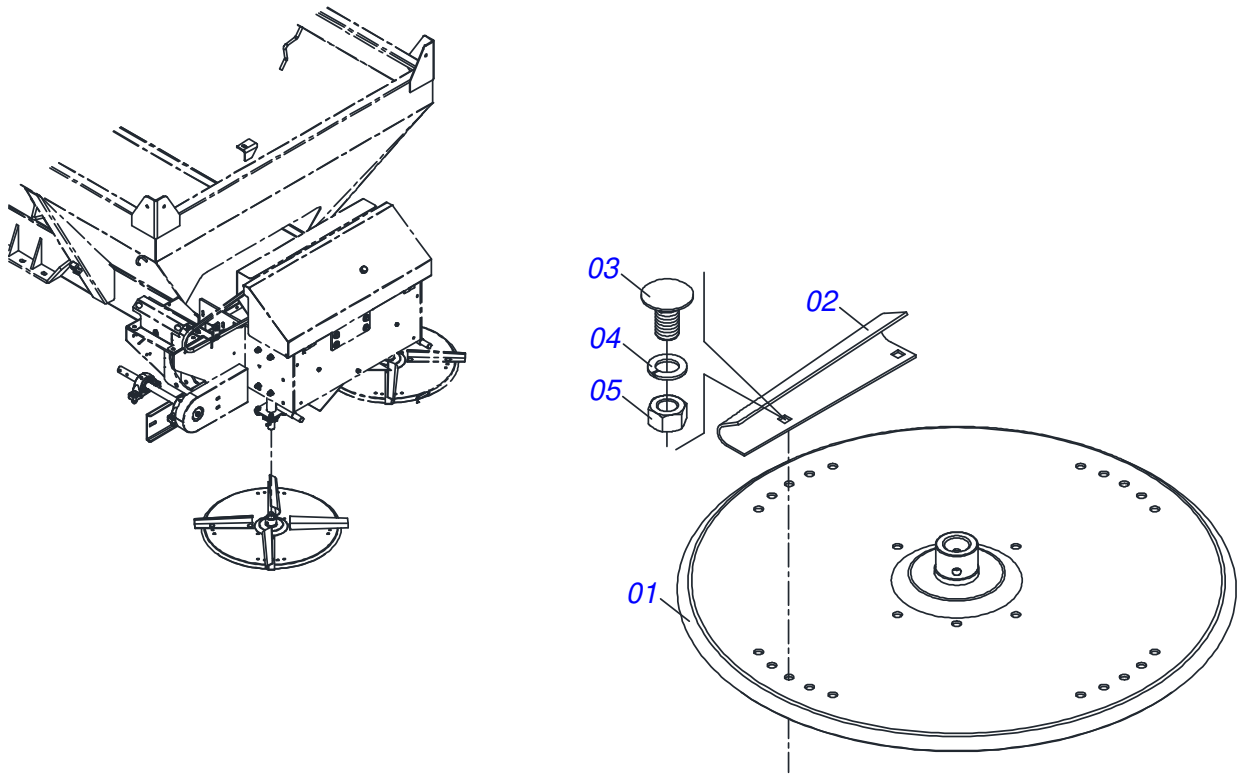
Item	Code	Description	See page	QT
01	0511063742	DISTRIBUTOR RIGHT/LEFT SUPPORT		01
02	0501048000	AGRICULTURAL BEARING	36	02
03	0503011135	BOLT		08
04	0503011446	SPRING WASHER		08
05	0503010244	7/16" NUT		08
06	0511016489	DISTRIBUTOR AXLE CONDUCTOR DISC		01
07	0501010536	KEYWAY SQUARE		01
08	0502011361	REEL 1C 5.5" X 1.1" PULLEY		01
09	0511014052	FLAT WASHER		01
10	0503010237	3/8" X 1" BOLT		01



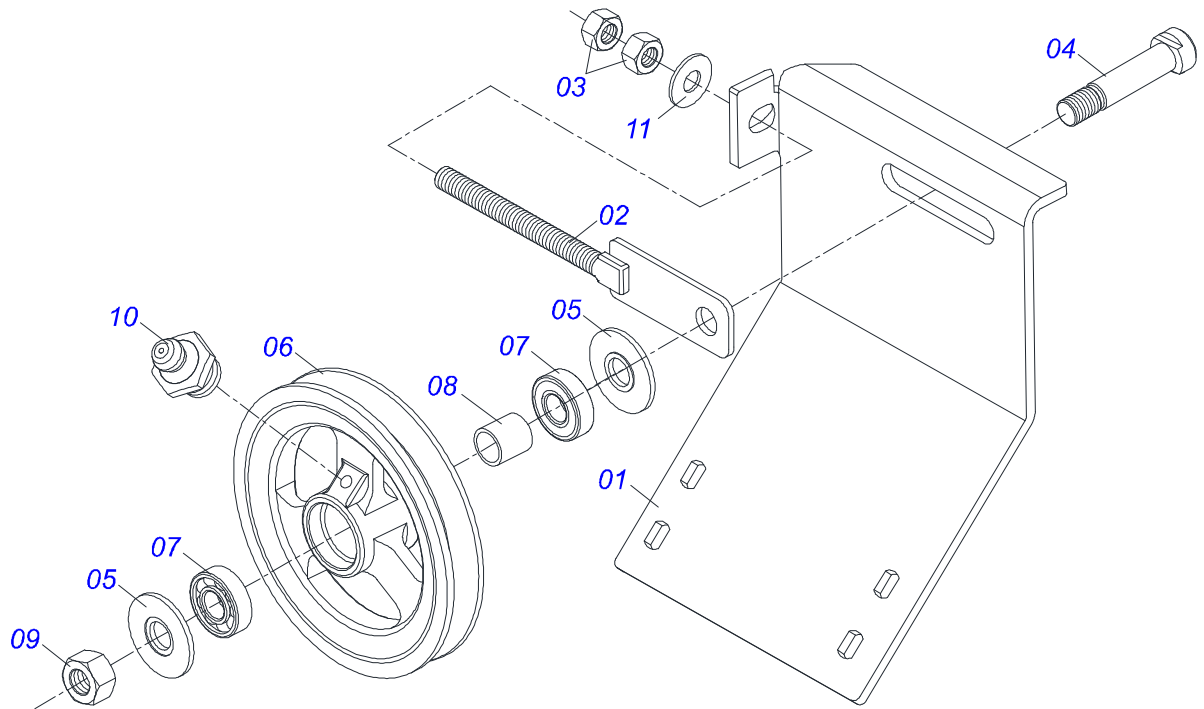
Item	Code	Description	See page	QT
01	0502011442	AGRICULTURAL HOUSING BEARING		01
02	0503010276	6206 BALL BEARING		01
03	0503011865	SEAL		01
04	0503010002	1800 GREASE FITTING		01



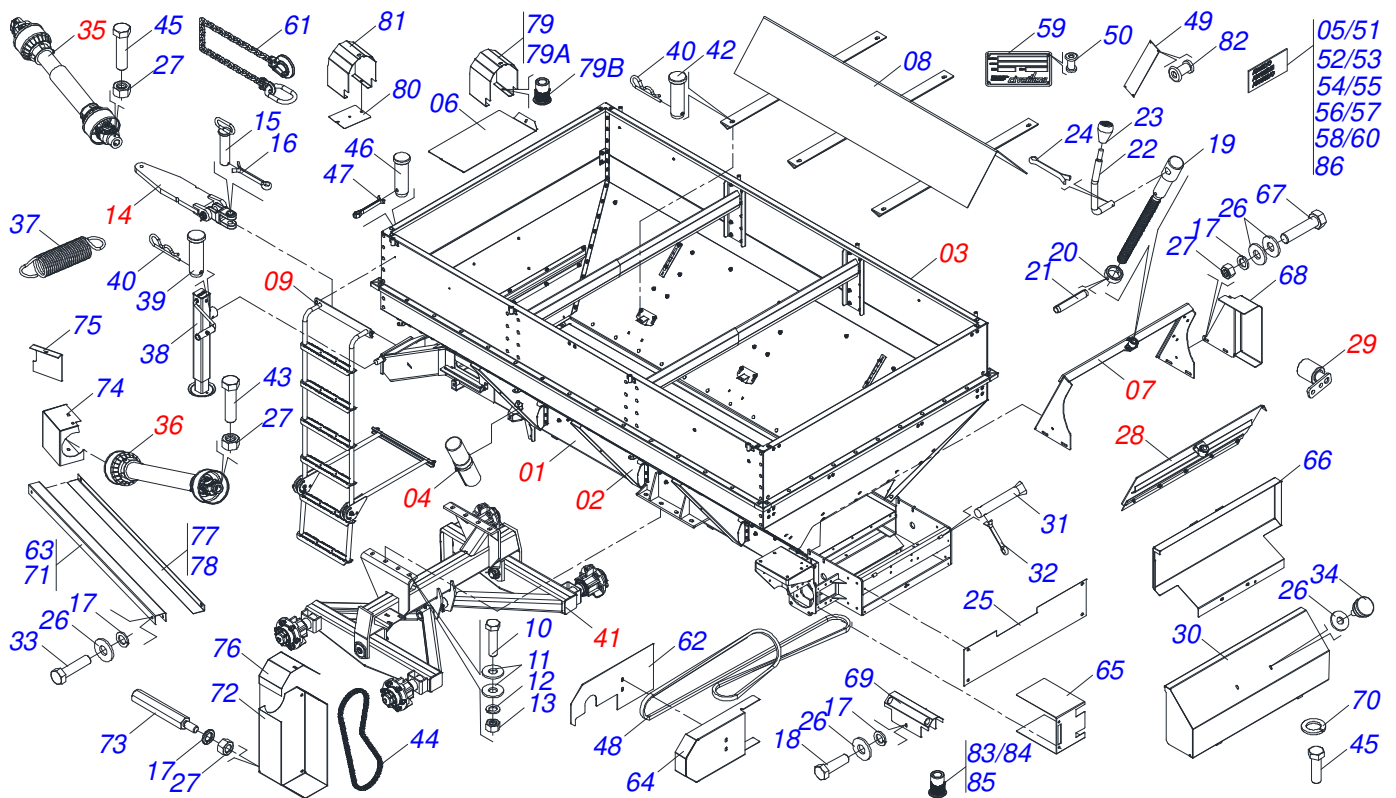
Item	Code	Description	See page	QT
01	0511063411	DISTRIBUTOR DISC		01
02	0531014343	RH FLIP		04
03	0503013029	3/8" X 3/4" BOLT		08
04	0503011443	3/8" SPRING WASHER		08
05	0503010026	3/8" NUT		08



Item	Code	Description	See page	QT
01	0511063411	DISTRIBUTOR DISC		01
02	0531014344	LH FLIP		04
03	0503013029	3/8" X 3/4" BOLT		08
04	0503011443	3/8" SPRING WASHER		08
05	0503010026	3/8" NUT		08



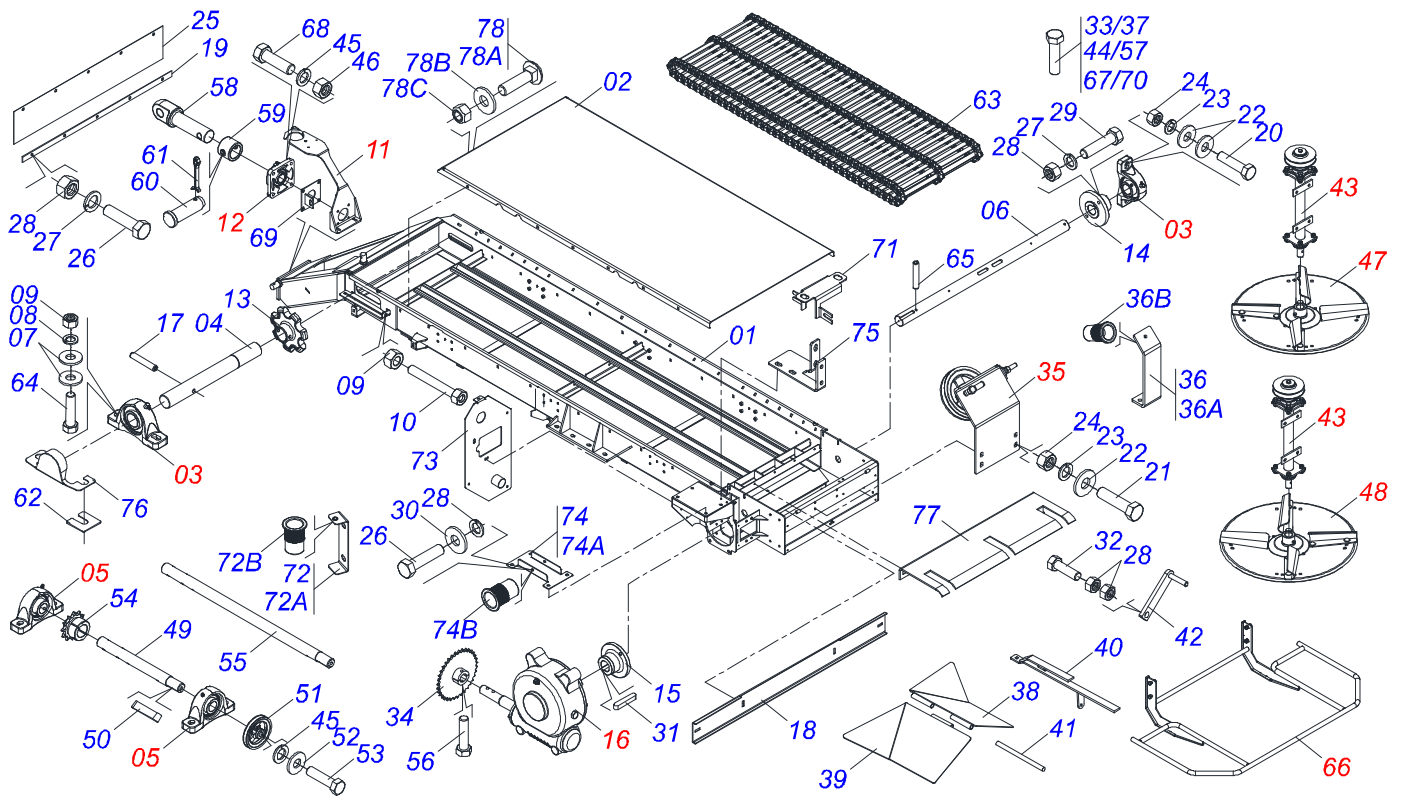
Item	Code	Description	See page	QT
01	0531014326	PULLEY BODY SUPPORT		01
02	0511064818	PULLEY TENSIONER		01
03	0503010013	5/8 NUT		02
04	0511012362	TIGHTENER AXLE PULLEY		01
05	0501019288	WASHER SPACER		02
06	0502011366	REEL 1C 8.3" X 1.6" PULLEY		01
07	0503010690	6204 BALL BEARING		02
08	0521010497	0.8" X 1.1" X 1.1" SPACER		01
09	0503010014	3/4" HEX NUT		01
10	0503010002	1800 GREASE FITTING		01
11	0501012140	FLAT WASHER		01



Item	Code	Description	See page	QT
01	0531056277	FRAME SEMI MOUNTED	41	01
02	0531056257	BUCKET FIXING KIT	11	01
03	0531056258	BUCKET ASSY	13	01
04	0531056195	MANUAL DOOR/CATALOG SET 3000/6000/8000/11000	- 14	01
05	0503068390	ADHESIVE LABEL SET		01
06	0501215831	FRONT PROTECTION		01
07	0531055517	COMPLETE SUPPORT WITH BEARING	15	01
08	0531064584	DEFLECTOR		01
09	0531043032	ASSY LADDER	17	01
10	0501010125	3/4" X 2-1/2" BOLT		08
11	0501010322	FLAT WASHER		16
12	0503010023	3/4" SPRING WASHER		08
13	0503010014	3/4" HEX NUT		08
14	0511059024	ENGATE TRATOR COMPLETO	32	01
15	0511066176	HITCH PIN		01
16	0503010010	1/4" X 2.1/2" COTTERPIN		01
17	0503010025	3/8 SPRING WASHER		43
18	0503010237	3/8" X 1" BOLT		13
19	0561014861	REGULATOR		01
20	0511013015	SLEEVE		01
21	0503010561	SPRING PIN		01
22	0521011107	CRANK BODY		01
23	0503030878	LEVER CRANK		01
24	0503010257	1/8" X 1" COTTERPIN		01
25	0531014340	REAR PROTECTION		01
26	0501010984	10,50 X 27 X 3,00 FLAT WASHER		44
27	0503010026	3/8" NUT		19
28	0511059108	SLUICE VALVE COVER ASSY	4	01
29	0501050829	CHAIN TENSIONER		01
30	0511063408	REAR COVER PROTECTION		01
31	0501017574	0.3" X 2.7" AXLE		02

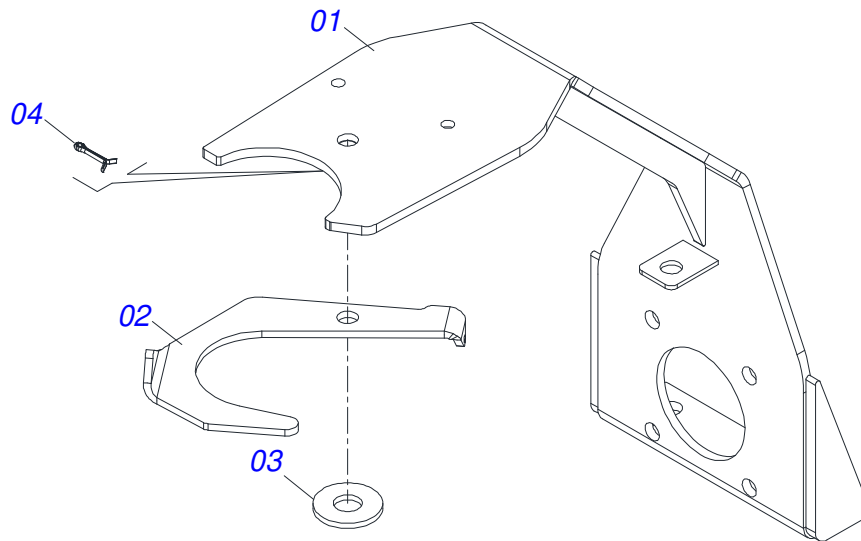


Item	Code	Description	See page	QT
32	0503010140	1/8" X 3/4" COTTERPIN		02
33	0503010256	3/8" X 3/4" BOLT		18
34	0503010386	CABLE		01
35	0511043330	DRIVE SHAFT		01
36	0501048200	DRIVE SHAFT		01
37	0503030198	0.6" X 2.4" X 0.1" EXTENSION SPRING		01
38	0503062157	DRAWBAR JACK		01
39	0521010549	COUPLING SHAFT		01
40	0503030168	HITCH PIN CLIP		07
41	0511041110	BELL CRANK SUPPORT FIXATION	30	01
42	0521017623	0.5" X 1.5" COUPLING SHAFT		06
43	0503011268	3/8" X 2-1/2" BOLT		02
44	0503013003	50-1 CHAIN X 79 LINK + REDUCTION + MENDING		01
45	0503010765	3/8" X 3" BOLT		01
46	0581011220	COUPLING SHAFT		01
47	0503010131	3/16" X 1-1/2" COTTERPIN		01
48	0503012941	C-148 BELT		01
49	0503030751	REGULATOR PLATE		01
50	0503010001	3.2 X 5.5 RIVET		04
51	0503031427	ADHESIVE LABEL		01
52	0503032949	ADHESIVE LABEL		01
53	0503032425	ADHESIVE LABEL ATTENTION		01
54	0503031809	ADHESIVE LABEL		01
55	0503031827	LUBRICATE AND RETIGHTEN DAILY DECAL		01
56	0503031428	READ MANUAL DECAL		01
57	0503031859	ADHESIVE LABEL DANGER		02
58	0503031818	ADHESIVE LABEL		01
59	0503034004	ALUMINUM IDENTIFICATION LABEL		01
60	0503033647	APPROVED BADGE		01
61	0503013150	1300 X 3/8 CHAIN		01
62	0591016127	SIDE PROTECTION BELT COVER		01
63	0581017455	AXLE PROTECTION COVER		01
64	0591016128	SIDE PROTECTION BELT		01
65	0581017453	FLANGE PROTECTION COVER		01
66	0521068794	BELT INTERNAL PROTECTION		01
67	0503010849	3/8" X 1-1/2" BOLT		06
68	0581017469	PROTECTION SIDE		01
69	0581015152	COVER PROTECTION		01
70	0503010179	LOCK WASHER 5/16 ZN 1K01528		03
71	0581017458	AXLE PROTECTION COVER		01
72	0581017446	CHAIN CAP		01
73	0581017496	PRISONER 3/8 UNC X 5/16 UNC X 175		03
74	0521068790	BEARING PROTECTION		01
75	0581017441	BACK COVER		01
76	0581017494	TOP PROTECTION RECAMBIO		01
77	0581017456	PROTECTION FRONT COVER		01
78	0581017457	PROTECTION FRONT COVER		01
79	0531059024	CARDAN JOINT PROTECTION		01
79A	0581017468	PROTECTION BODY		01
79B	0503019416	RIVET SCREW THREAD INTERNAL		02
80	0581017488	LOWER PROTECTION BOARD CARDAN		01
81	0591016144	PROTECTION BOARD CARDAN		01
82	0503012209	RIVET POP		04
83	0503019416	RIVET SCREW THREAD INTERNAL		09
84	0503019729	THREAD SCREW INTERNAL		08
85	0503019413	THREAD SCREW INTERNAL		04
86	0503035156	LABEL ADHESIVE		01

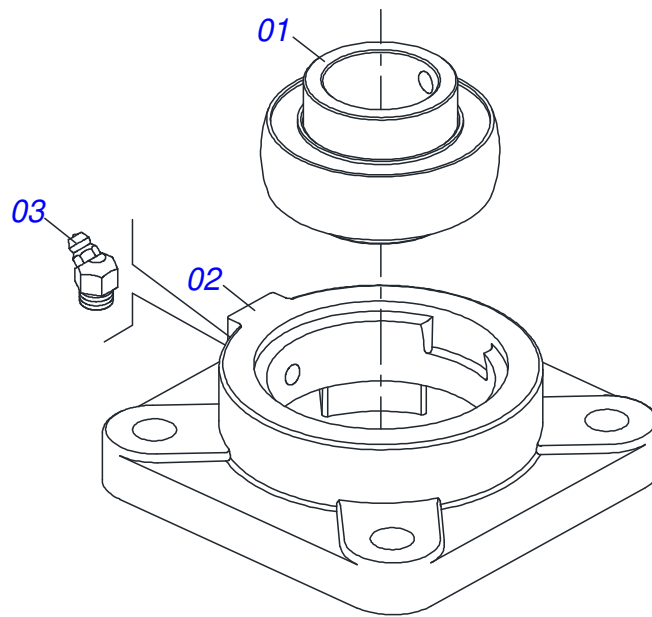


Item	Code	Description	See page	QT
01	0531064581	FRAME SEMI MOUNTED		01
02	0501215833	STAINLESS FLOOR		01
03	0501044308	AGRICULTURAL BEARING ASSY	9	04
04	0591016382	DRIVEN AXLE		01
05	0511041213	AGRICULTURAL BEARING	7	04
06	0591016381	DRIVING AXLE		01
07	0501012140	FLAT WASHER		08
08	0503010027	5/8 SPRING WASHER		10
09	0503010013	5/8 NUT		08
10	0501067853	ROD STABILIZER		02
11	0521053161	CARDAN SUPPORT WITHOUT SPRING	42	01
12	0501044306	BATH BEARING	43	01
13	0591016380	GEAR		01
14	0511016540	MAT COUPLING FLANGE		01
15	0511016541	REDUCTION COUPLING FLANGE		01
16	0501047985	REDUCER	5	01
17	0503010361	SPRING PIN		08
18	0531014338	BAMPER		01
19	0531014331	SLUICE VALVE FIXER COVER		01
20	0503010740	BOLT 1/2 UNC X 2 CS G.5 ZN		10
21	0503010238	BOLT 1/2 UNC X 1.3/4 CS G.2 ZN		04
22	0511017302	FLAT WASHER 13,50 X 32,50 X 3,0 ZN		28
23	0503011440	SPRING WASHER		20
24	0503010060	1/2 UNC G.5 ZN HEX NUT		20
25	0531014337	PROTECTION LARGER		02
26	0503010237	3/8" X 1" BOLT		07
27	0503011443	3/8" SPRING WASHER		17
28	0503010026	3/8" NUT		25
29	0503010751	C3/8" X 1.1/4" HEX BOLT G.5		08
30	0501010984	10,50 X 27 X 3,00 FLAT WASHER		10
31	0501010540	KEYWAY SQUARE		02

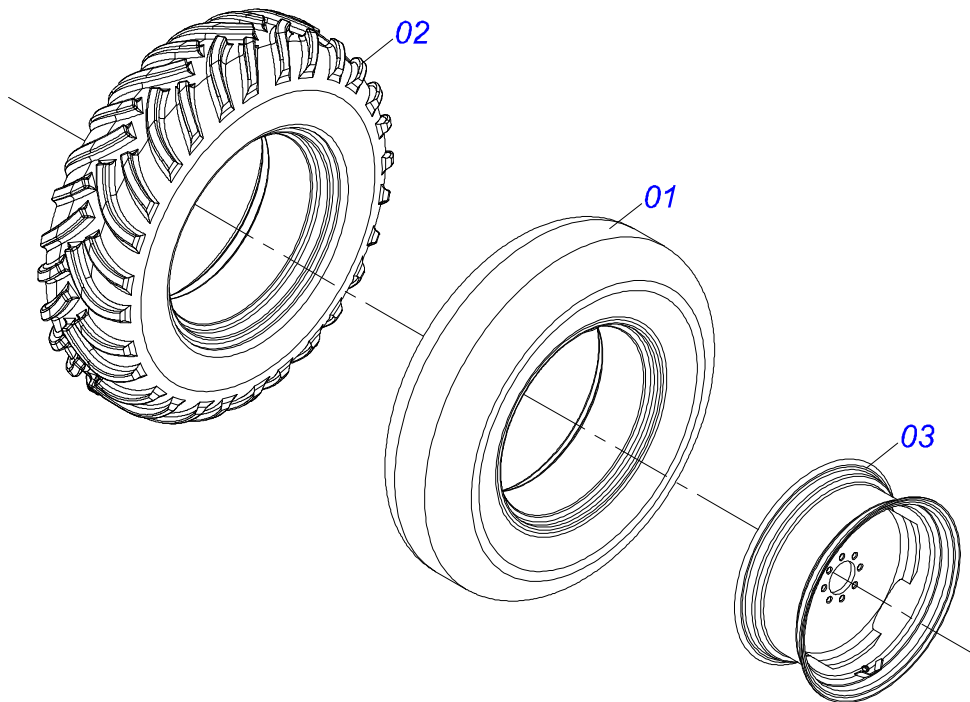
Item	Code	Description	See page	QT
32	0503010849	3/8" X 1-1/2" BOLT		03
33	0503011167	M16 X 2 X 30 BOLT		04
34	0501069020	35Z GEAR		02
35	0501053868	BELT TENSIONER ASSY	39	01
36	0531057279	BACK COVER FIXER		01
36A	0531015158	BACK COVER FIXER BODY		01
36B	0503019414	THREAD RIVET		01
37	0503010920	1/2 UNC X 1.1/2 C S G.5 ZN BOLT		04
38	0511063659	RIGHT FLOW DIVIDING		01
39	0511063660	LEFT FLOW DIVIDING		01
40	0531061725	REAR DEFLECTOR SUPPORT		01
41	0531015309	TENSIONER OPEN		01
42	0501067368	DIVISOR REGULATOR OPEN		02
43	0501054013	RIGHT BEARRING SUPPORT DISC	35	02
44	0503011102	BOLT 7/16 UNC X 1.1/4 C S G.5 ZN		08
45	0503011446	SPRING WASHER		13
46	0503010244	7/16" NUT		12
47	0501053870	DISTRIBUTOR RIGHT DISC ASSY	37	01
48	0501053871	DISTRIBUTOR LEFT DISC ASSY	38	01
49	0531014330	DRIVE AXLE		01
50	0501010536	KEYWAY SQUARE		01
51	0502012936	1 C X 219 X 30 PULLEY		01
52	0511014052	FLAT WASHER		01
53	0503010355	7/16" X 1" BOLT		01
54	0501069017	12Z GEAR		01
55	0541014889	TRANSMISSION AXLE		01
56	0503011141	3/8" X 2-3/4" BOLT		02
57	0503011268	3/8" X 2-1/2" BOLT		01
58	1902040223	PIN HITCH		01
59	1902040327	LOCK SLEEVE		01
60	0521010579	COUPLING SHAFT		01
61	0503010571	1/4" X 1.1/2 COTTERPIN		01
62	0501010794	HIDR CHOCK REGULATOR		04
63	0511065278	DRIVE THE TRANSPORT TALISCA		01
64	0503010233	5/8" X 2-1/2" BOLT		04
65	0503010756	0.2" X 2.4" SPRING PIN		06
66	0531050089	FULL DISK PROTECTOR	8	01
67	0503011267	5/8 UNC X 1.1/2 C S G.5 ZN BOLT		02
68	0503011135	BOLT		04
69	0521068825	SUPPORT AXLE PROTECTION		01
70	0503010905	1/2" X 2-1/4" BOLT		02
71	0581017505	INTERMEDIARY SUPPORT AXLE PROTECTION		01
72	0531059021	BEARING PROTECTION SUPPORT		01
72A	0581017504	BEARING PROTECTION SUPPORT		01
72B	0503019416	RIVET SCREW THREAD INTERNAL		02
73	0521068791	TRANSMISSION PROTECTION COVER		01
74	0531059022	PROTECTION COVER FIXER		01
74A	0581015151	FIXING BODY COVER PROTECTION		01
74B	0503019416	RIVET SCREW THREAD INTERNAL		02
75	0591016126	FIXING BODY SIDE PROTECTION BELT		01
76	0521068822	BEARING PROTECTION		03
77	0531014324	TOOTH COVER		01
78	0541050868	STAINLESS STEEL PLATFORM FIXATION KIT		01
78A	0503012540	3/8" X 1" BOLT		20
78B	0501219147	FLAT WASHER 13 X 24 X 3,00 INOX		20
78C	0503019604	SELF LOCKING HEX NUT WITH NYLON 3/8 UNC 2B		20



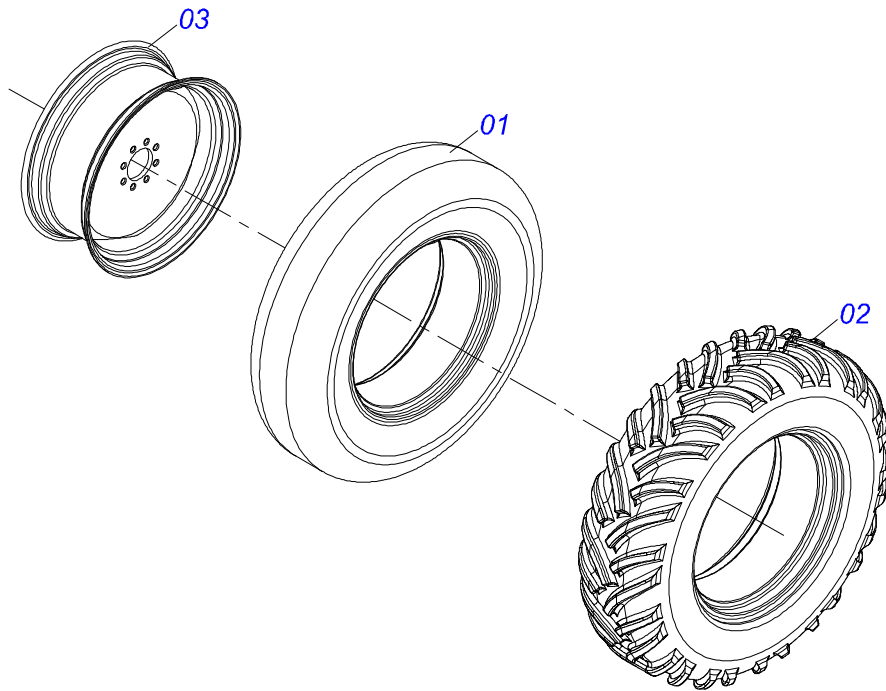
Item	Code	Description	See page	QT
01	0521068817	SUPPORT SUSTENANCE CARDAN		01
02	0511014066	SMALLER CARDAN SUPPORT		01
03	0511017302	FLAT WASHER 13,50 X 32,50 X 3,0 ZN		01
04	0503010257	1/8" X 1" COTTERPIN		01



Item	Code	Description	See page	QT
01	0503011162	BALL BEARING		01
02	0503011146	HOUSING BEARING		01
03	0503011099	GREASE FITTING		01



Item	Code	Description	See page	QT
01	0503013040	0.5" X 1" VALVE STEM		01
02	0503013039	0.5" X 1" -10 CANVAS TIRE		01
03	0511063924	DCCO 10500 WHEEL		01



Item	Code	Description	See page	QT
01	0503013040	0.5" X 1" VALVE STEM		01
02	0503013039	0.5" X 1" -10 CANVAS TIRE		01
03	0511063924	DCCO 10500 WHEEL		01







***civemasa***

**Technical Publications | Elaboration and Revision**

LORENA ROCHA ALVES

[www.civemasa.com.br](http://www.civemasa.com.br)

