

TINE CULTIVATORS

CATPH 3L E1500/1800 3H DC C/PL

Code: 0501094243
Series: S-0825
Revision: 00
Revision Date: MARCH/2026

PARTS CATALOGUE


CIVEMASA

PRODUCTS

| Code | Working Width | Description |
|------------|---------------|---------------------------------------|
| 0120840177 | | CATPH 3L E1500/1800 3H DC C/PL S-0825 |

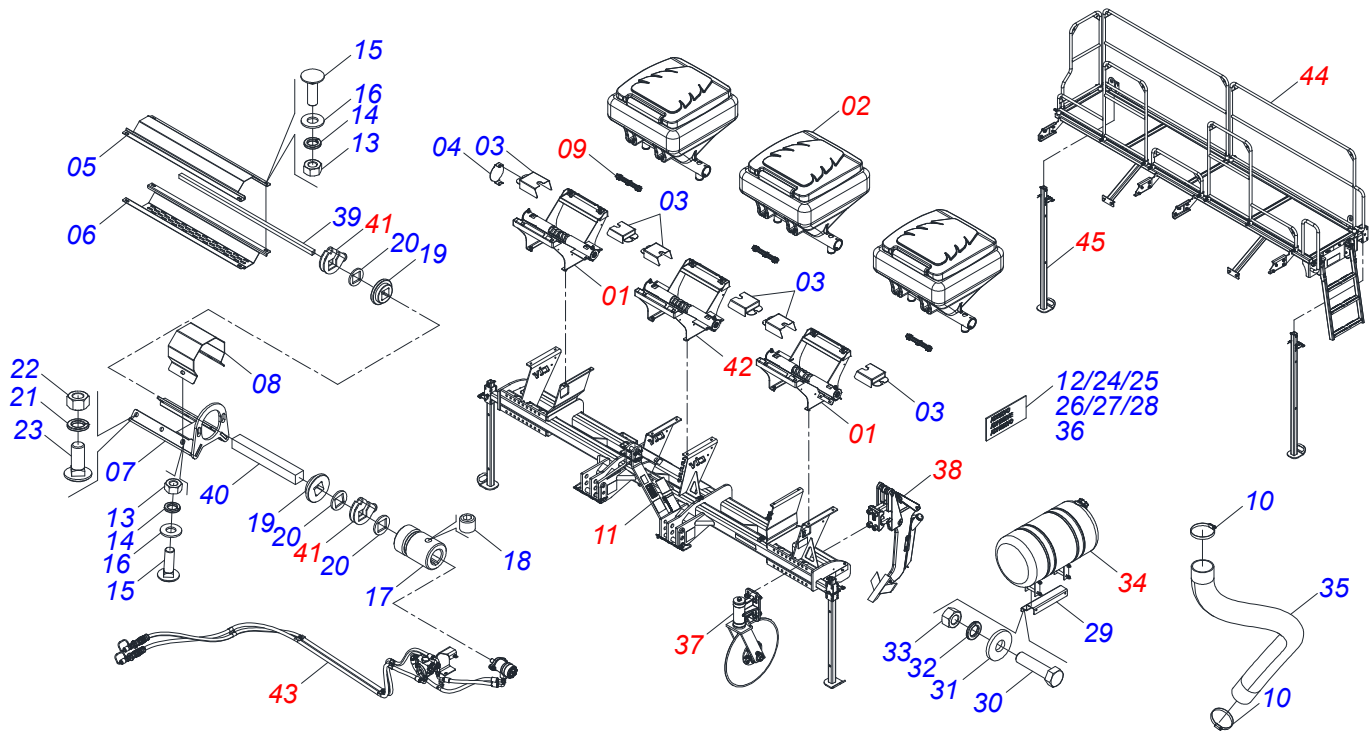
ATTENTION: IMPORTANT

CIVEMASA reserves the right to improve and/or modify the technical features of its products, without obligation to do the same with those products already sold and without prior knowledge of the dealer or the customer. The photos are only illustrative.



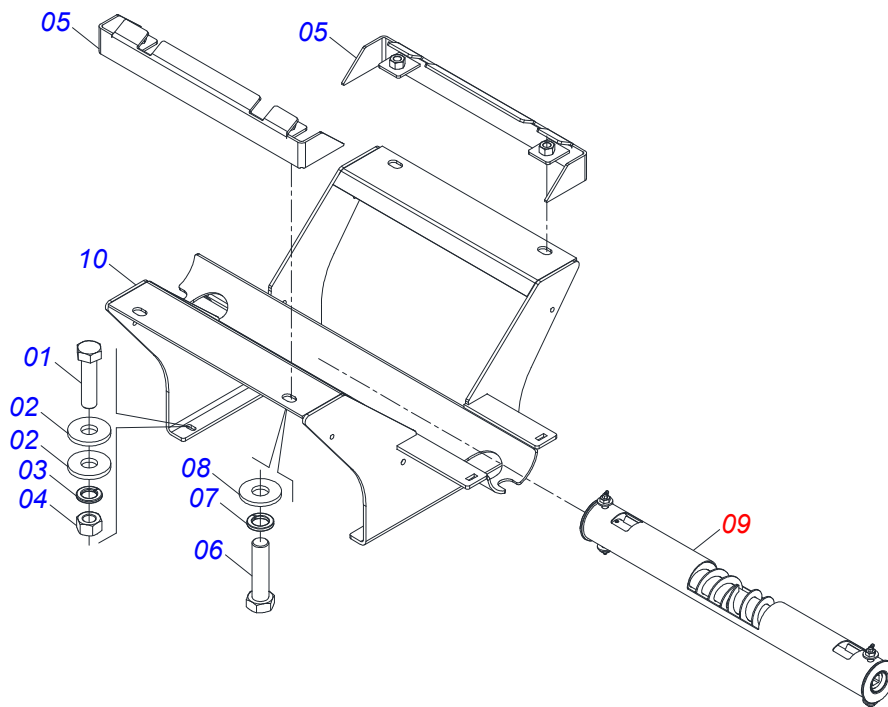
INDEX

| | | | |
|------------|---|-------|----|
| 0531048108 | ASSY FRAME | | 1 |
| 0531050200 | SILO SUPPORT | | 2 |
| 0521056597 | LEFT/RIGHT SILO THREAD DISTRIBUTOR ASSEMBLY | | 3 |
| 0531050199 | YELLOW FERTILIZER BOX WITH CUT OUT ORANGE COVER | | 4 |
| 0521054716 | ASSY DISPLAY | | 5 |
| 0551050766 | FRAME SEMI MOUNTED | | 6 |
| 0521054135 | AXLE 25,00 X EC 130 ASSY | | 7 |
| 0531050205 | REST 50X50X1100 ASSY | | 8 |
| 0521054631 | AXIS 27,80 X EC 98 ASSY | | 9 |
| 0551050765 | LOWER AXLE COMPLETE COUPLING | | 10 |
| 0531051867 | AXLE 31,75 X EC 135 ASSY | | 11 |
| 0541053495 | 25/26L WATER TANK | | 12 |
| 0521049591 | 26" CUTTING DISC ASSY | | 13 |
| 0521056601 | 26" CUTTING DISC SEMI-ASSEMBLED | | 14 |
| 0501052395 | 26" CUTTING DISK WITH BOX | | 15 |
| 0501057526 | DISC HUB | | 16 |
| 0531040700 | FURROW ARM COMPLETE WITH CONDUCTOR | | 17 |
| 0501053788 | 3/4" SQUARE AXLE FASTENER | | 18 |
| 0551050764 | SUPPORT CENTRAL SILO | | 19 |
| 0551050754 | HYDRAULIC SYSTEM | | 20 |
| 0551050753 | HOSE ASSY | | 21 |
| 0551050755 | 1/2 X 3300 TC-TM YELLOW / RED HOSE | | 22 |
| 0541057049 | 1/2 X 3600 TC-TM YELLOW / BLUE HOSE | | 23 |
| 0501053834 | MALE QUICK COUPLER | | 24 |
| 0541059122 | REGULATORY VALVE PFC51-12 C/ NIPLE 7/8NF X R1.1/16 UN | | 25 |
| 0551050762 | PLATFORM ASSY | | 26 |
| 0541053997 | MOBILE LADDER ASSY | | 27 |
| 0551050756 | PLOUGH SUPPORT 1506 | | 28 |

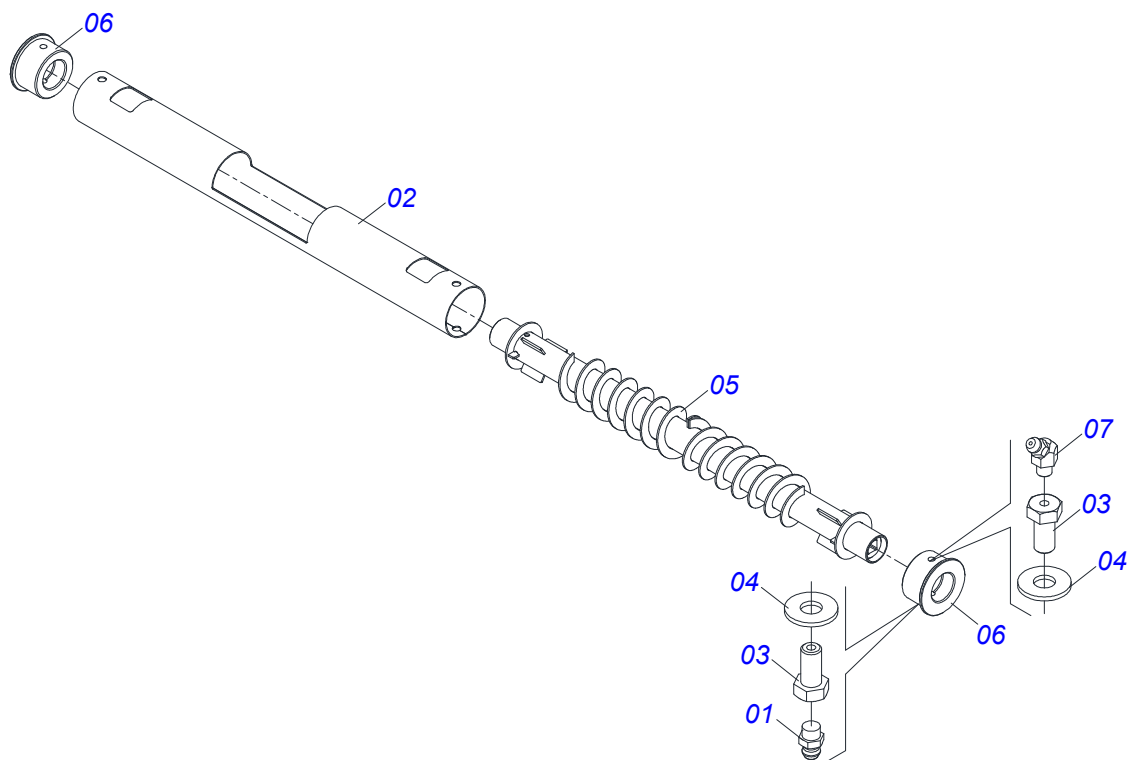


| Item | Code | Description | See page | QT |
|------|------------|---|----------|----|
| 01 | 0531050200 | SILO SUPPORT | 2 | 02 |
| 02 | 0531050199 | YELLOW FERTILIZER BOX WITH CUT OUT ORANGE COVER | 4 | 03 |
| 03 | 0591016561 | CONVEYOR THREAD PROTECTION | | 06 |
| 04 | 0581019023 | PROTECTION CANNON FERTILIZER | | 01 |
| 05 | 0591016563 | CENTRAL AXLE PROTECTION | | 02 |
| 06 | 0591016562 | LOWER AXLE CENTRAL PROTECTION | | 02 |
| 07 | 0531061800 | MOTOR FIXATION SUPPORT | | 01 |
| 08 | 0581019046 | ENGINE AXLE PROTECTION | | 01 |
| 09 | 0521054716 | ASSY DISPLAY | 5 | 03 |
| 10 | 0503011266 | CLAMP 2.1/4" A 3" 57-76 | | 12 |
| 11 | 0551050766 | FRAME SEMI MOUNTED | 6 | 01 |
| 12 | 0503033237 | CIVEMASA LOGO DECAL | | 02 |
| 13 | 0503010337 | NUT 5/16 UNC G.5 ZN | | 10 |
| 14 | 0503010179 | LOCK WASHER 5/16 ZN 1K01528 | | 10 |
| 15 | 0503011953 | 5/16" X 1" BOLT | | 10 |
| 16 | 0501010694 | FLAT WASHER 8.50 X 18 X 1.50 ZN | | 10 |
| 17 | 0501069662 | MOTOR HYFRAULIC SLEEVE | | 01 |
| 18 | 0503011136 | BOLT 1/2 UNC X 1/2 S C S I 12.9 | | 01 |
| 19 | 0503031527 | AGRICULTURAL BEARING | | 05 |
| 20 | 0521018630 | 1.4" X SQUARE 0.8" WASHER | | 06 |
| 21 | 0503010019 | SPRING WASHER 1/2" | | 04 |
| 22 | 0503010060 | HEX NUT 1/2 UNC G.5 ZN | | 04 |
| 23 | 0503014734 | BOLT | | 04 |
| 24 | 0503032930 | DANGER DECAL | | 06 |
| 25 | 0503013229 | REFLECTIVE SIDE BAND | | 03 |
| 26 | 0503031919 | ADHESIVE LABEL ENGINE ROTATING DIRECTION | | 01 |
| 27 | 0503034247 | LUBRICATION POINT DECAL | | 06 |
| 28 | 0503034596 | BUMPER STICKER WARNING NEVER GO UP PROTECTIONS | | 02 |
| 29 | 0591016542 | SUPPORT | | 01 |
| 30 | 0501010080 | 3/8" BOLT | | 02 |

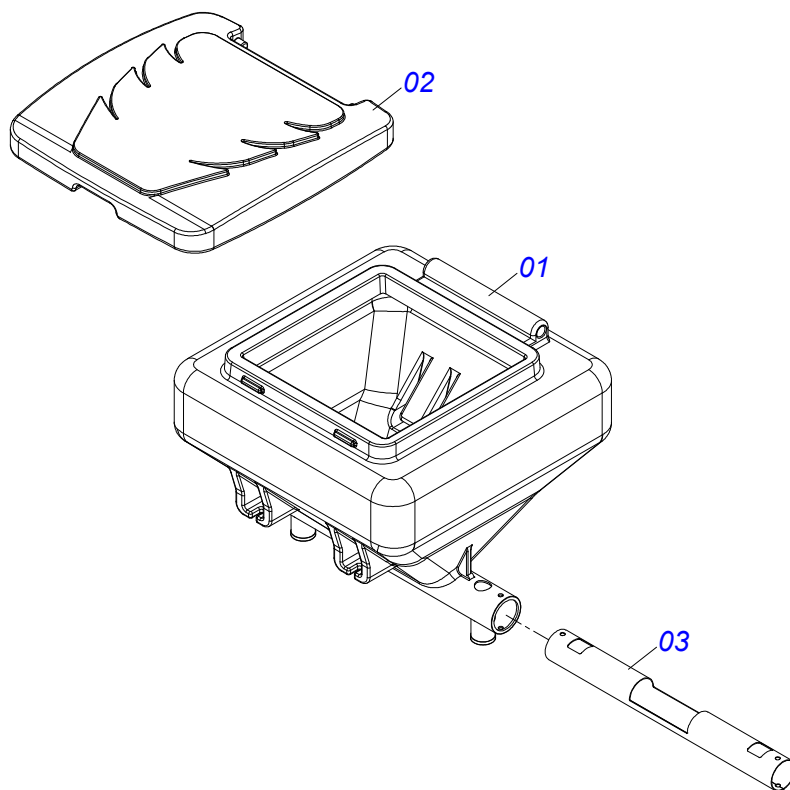
| Item | Code | Description | See page | QT |
|-------------|-------------|------------------------------------|-----------------|-----------|
| 31 | 0501010984 | FLAT WASHER 10.50 X 27 X 3.00 | | 02 |
| 32 | 0503010025 | SPRING WASHER 3/8" | | 02 |
| 33 | 0503010026 | NUT 3/8" | | 02 |
| 34 | 0541053495 | 25/26L WATER TANK | 12 | 01 |
| 35 | 0551013640 | 2.1/2" X 1100 HOSE ASSY | | 06 |
| 36 | 0503035363 | STICKER | | 02 |
| 37 | 0521049591 | 26" CUTTING DISC ASSY | 13 | 03 |
| 38 | 0531040700 | FURROW ARM COMPLETE WITH CONDUCTOR | 17 | 03 |
| 39 | 0501010780 | AXLE SQUARE 3/4 X 840 | | 02 |
| 40 | 0531012899 | SQUARE AXLE 3/4 X 150 | | 01 |
| 41 | 0501053788 | 3/4" SQUARE AXLE FASTENER | 18 | 05 |
| 42 | 0551050764 | SUPPORT CENTRAL SILO | 19 | 01 |
| 43 | 0551050754 | HYDRAULIC SYSTEM | 20 | 01 |
| 44 | 0551050762 | PLATFORM ASSY | 26 | 01 |
| 45 | 0551050756 | PLOUGH SUPPORT 1506 | 28 | 02 |



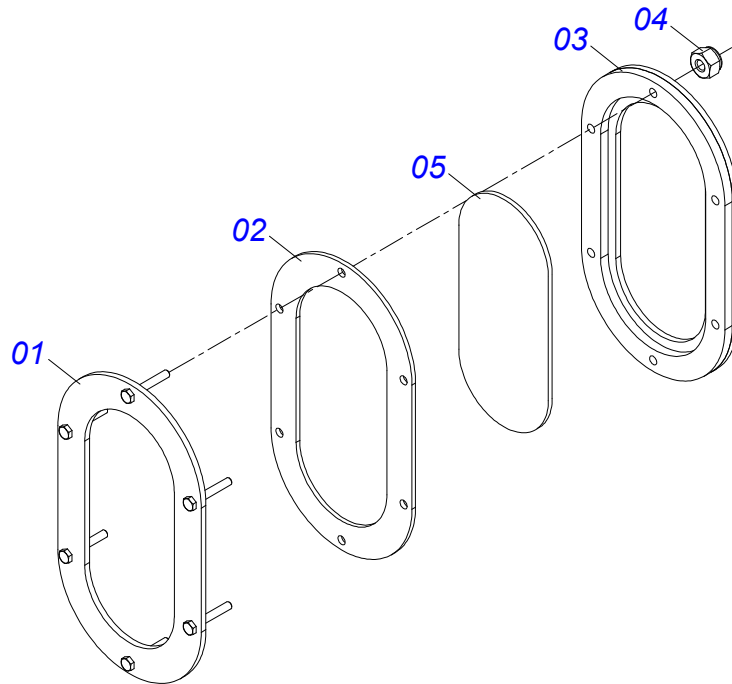
| Item | Code | Description | See page | QT |
|------|------------|---|----------|----|
| 01 | 0503010849 | BOLT 3/8" X 1-1/2" | | 04 |
| 02 | 0501010984 | FLAT WASHER 10.50 X 27 X 3.00 | | 08 |
| 03 | 0503010025 | SPRING WASHER 3/8" | | 04 |
| 04 | 0503010026 | NUT 3/8" | | 04 |
| 05 | 0511068656 | FERTILIZER BEAM LOCK | | 02 |
| 06 | 0503010233 | 5/8 UNC X 2.1/2 CS G.5 ZN BOLT | | 04 |
| 07 | 0503010027 | SPRING WASHER 5/8" | | 04 |
| 08 | 0501012140 | FLAT WASHER 16,50 X 40 X 4,00 ZN | | 04 |
| 09 | 0521056597 | LEFT/RIGHT SILO THREAD DISTRIBUTOR ASSEMBLY | 3 | 01 |
| 10 | 0531061801 | SILO SUPPORT | | 01 |



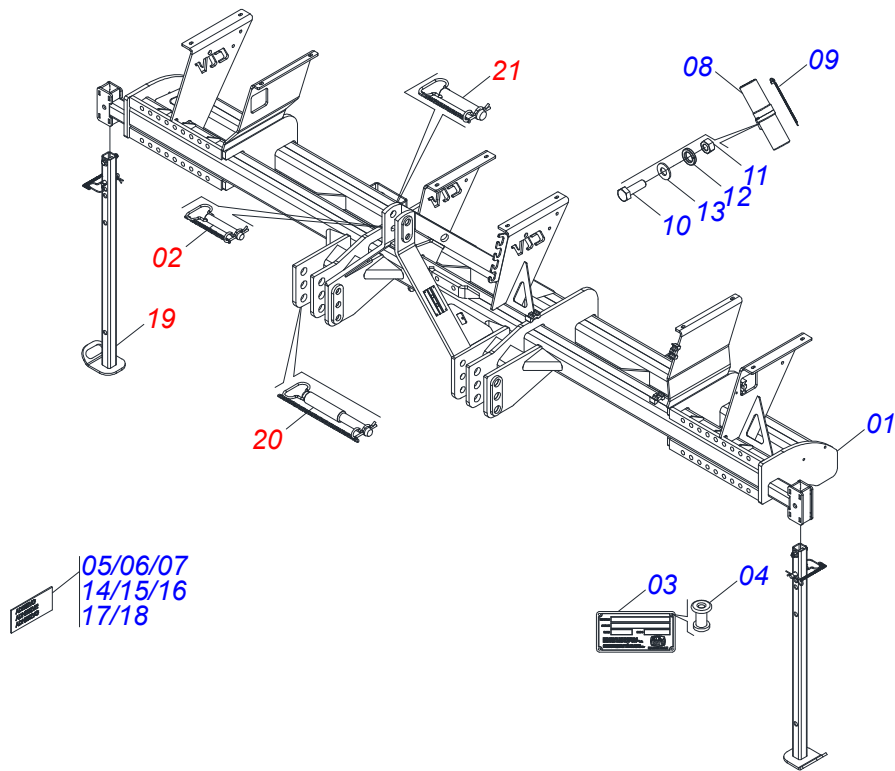
| Item | Code | Description | See page | QT |
|------|------------|------------------------------------|----------|----|
| 01 | 0503010691 | GREASE FITTING 1/4" | | 02 |
| 02 | 0551015492 | TUBE COATED | | 01 |
| 03 | 0541014215 | BEARING BOLT | | 04 |
| 04 | 0511017302 | FLAT WASHER 13.50 X 32.50 X 3.0 ZN | | 04 |
| 05 | 0511068620 | FERTILIZER CONDUCTOR | | 01 |
| 06 | 0551015225 | FERTILIZER CONDUCTOR BEARING | | 02 |
| 07 | 0503011099 | GREASE FITTING | | 02 |



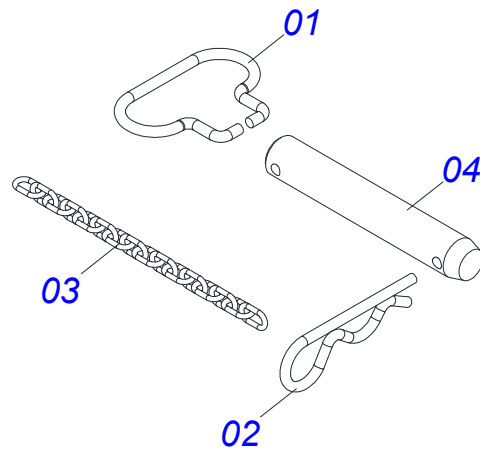
| Item | Code | Description | See page | QT |
|------|------------|-----------------------------|----------|----|
| 01 | 0503032962 | YELLOW FERTILIZER BOX | | 01 |
| 02 | 0503032964 | ORANGE FERTILIZER BOX COVER | | 01 |
| 03 | 0551015492 | TUBE COATED | | 01 |



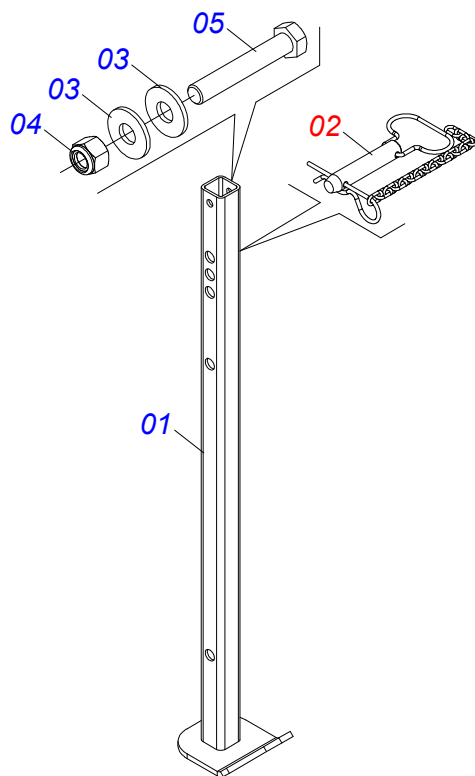
| Item | Code | Description | See page | QT |
|------|------------|------------------------------------|----------|----|
| 01 | 0521069461 | INTERNAL FIXING RING DISPLAY | | 01 |
| 02 | 0503034802 | RUBBER DISPLAY RING | | 01 |
| 03 | 0521069459 | DISPLAY SUPPORT | | 01 |
| 04 | 0503015013 | 3/16 SELF ADJUSTING NUT NC 1K02881 | | 06 |
| 05 | 0503033020 | DISPLAY | | 01 |



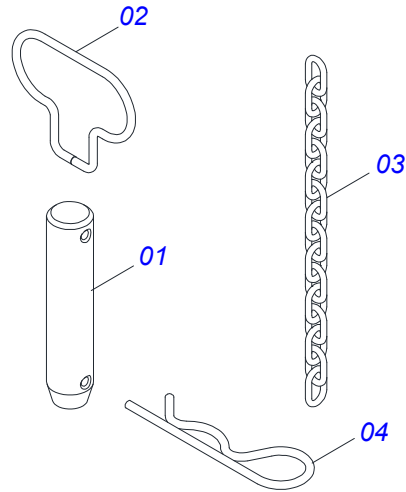
| Item | Code | Description | See page | QT |
|------|------------|--|----------|----|
| 01 | 0541062234 | FRAME | | 01 |
| 02 | 0521054135 | AXLE 25,00 X EC 130 ASSY | 7 | 01 |
| 03 | 0503034004 | ALUMINUM IDENTIFICATION DECAL | | 01 |
| 04 | 0503013356 | RIVET POP 3,2 X 10,0 | | 04 |
| 05 | 0503033647 | APPROVED DECAL | | 01 |
| 06 | 0503034648 | ADHESIVE LABEL | | 01 |
| 07 | 0503031827 | DAILY LUBRICATION AND RETIGHTENING DECAL | | 01 |
| 08 | 0503060100 | SUPPORT INSTRUCTION MANUAL | | 01 |
| 09 | 0503010267 | NYLON CLAMP 3.60 X 1.3 X 155 MM | | 01 |
| 10 | 0503010371 | 5/16" X 1" BOLT | | 01 |
| 11 | 0503010337 | NUT 5/16 UNC G.5 ZN | | 01 |
| 12 | 0503010179 | LOCK WASHER 5/16 ZN 1K01528 | | 01 |
| 13 | 0501010694 | FLAT WASHER 8.50 X 18 X 1.50 ZN | | 01 |
| 14 | 0503031428 | ATTENTION READ MANUAL DECAL | | 01 |
| 15 | 0503031942 | MANUAL SEAL DECAL | | 01 |
| 16 | 0503013229 | REFLECTIVE SIDE BAND | | 03 |
| 17 | 0503034078 | LIFTING POINTS DECAL | | 02 |
| 18 | 0503031739 | DANGER DECAL | | 01 |
| 19 | 0531050205 | REST 50X50X1100 ASSY | 8 | 02 |
| 20 | 0551050765 | LOWER AXLE COMPLETE COUPLING | 10 | 02 |
| 21 | 0531051867 | AXLE 31,75 X EC 135 ASSY | 11 | 01 |



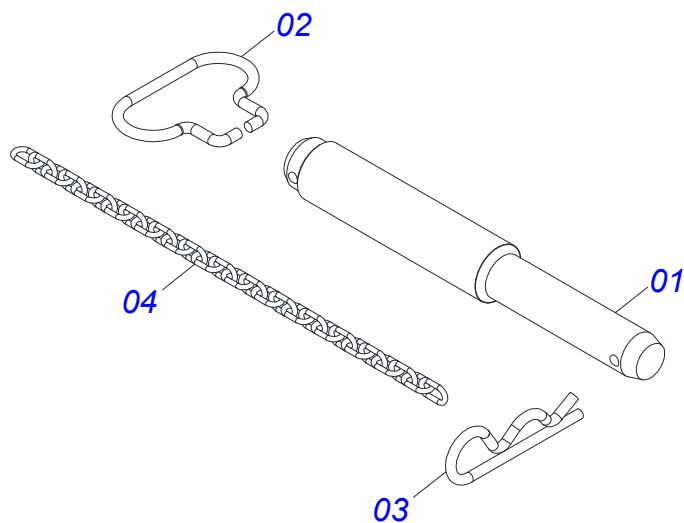
| Item | Code | Description | See page | QT |
|------|------------|--------------------------------|----------|----|
| 01 | 0503034755 | HANDLE PIN HITCH | | 01 |
| 02 | 0503031035 | HITCH PIN CLIP | | 01 |
| 03 | 0503034756 | CHAIN 3.00 X 16 | | 01 |
| 04 | 0581018637 | AXIS 25 X 155 X EC 130 FR 7,14 | | 01 |



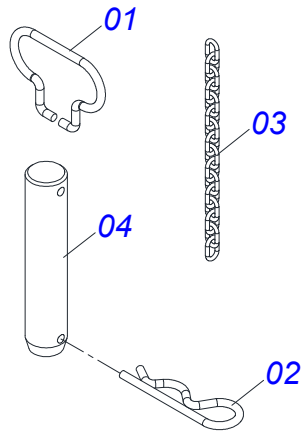
| Item | Code | Description | See page | QT |
|------|------------|------------------------------------|----------|----|
| 01 | 0531061802 | REST 50 X 50 X 1100 | | 01 |
| 02 | 0521054631 | AXIS 27,80 X EC 98 ASSY | 9 | 01 |
| 03 | 0511017302 | FLAT WASHER 13.50 X 32.50 X 3.0 ZN | | 02 |
| 04 | 0503010589 | SELF ADJUSTING NUT 1/2" UNC | | 01 |
| 05 | 0503010479 | BOLT | | 01 |



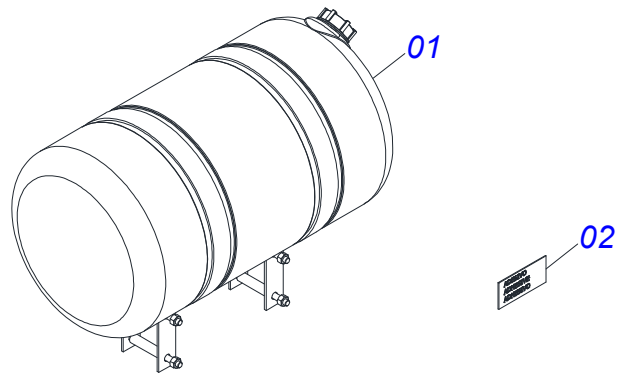
| Item | Code | Description | See page | QT |
|------|------------|---------------------------------|----------|----|
| 01 | 0581019024 | AXIS 19,05 X 98 X EC 75 FR 6,35 | | 01 |
| 02 | 0503034794 | HANDLE PIN HITCH 4MM | | 01 |
| 03 | 0503034756 | CHAIN 3.00 X 16 | | 01 |
| 04 | 0503030012 | HITCH PIN CLIP | | 01 |



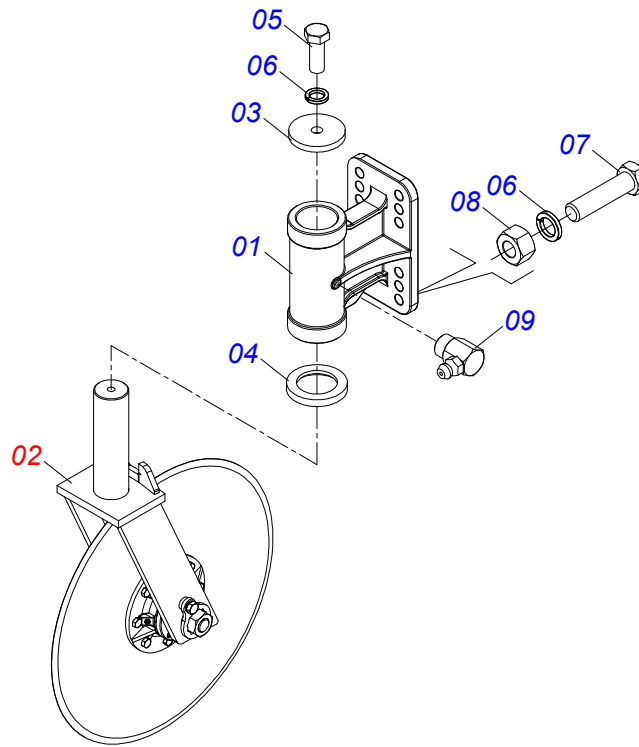
| Item | Code | Description | See page | QT |
|------|------------|------------------|----------|----|
| 01 | 0501514778 | LOWER AXLE HITCH | | 01 |
| 02 | 0503034755 | HANDLE PIN HITCH | | 01 |
| 03 | 0503031035 | HITCH PIN CLIP | | 01 |
| 04 | 0503034972 | CHAIN | | 01 |



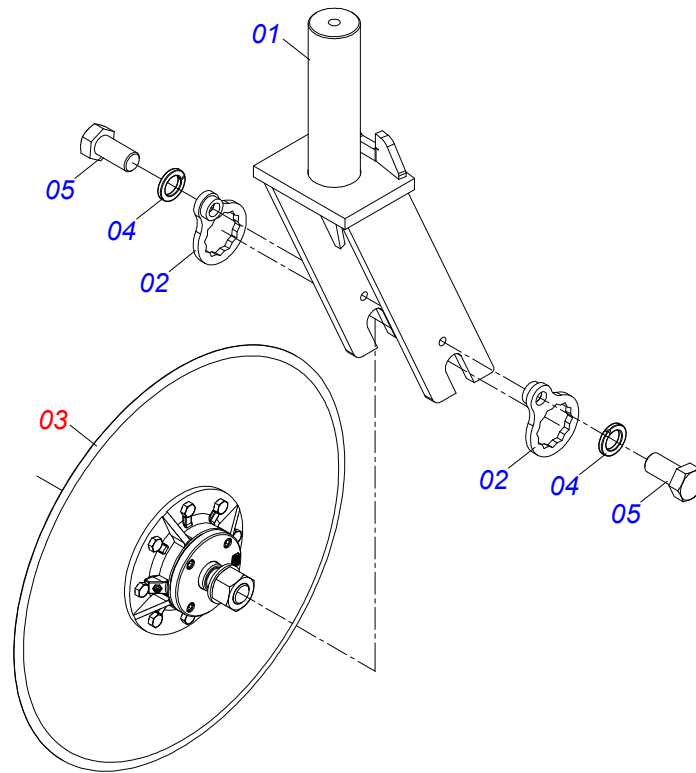
| Item | Code | Description | See page | QT |
|------|------------|-----------------------------------|----------|----|
| 01 | 0503034755 | HANDLE PIN HITCH | | 01 |
| 02 | 0503031035 | HITCH PIN CLIP | | 01 |
| 03 | 0503034756 | CHAIN 3.00 X 16 | | 01 |
| 04 | 0591019897 | AXLE 31,75 X 160 X EC 135 FR 7,14 | | 01 |



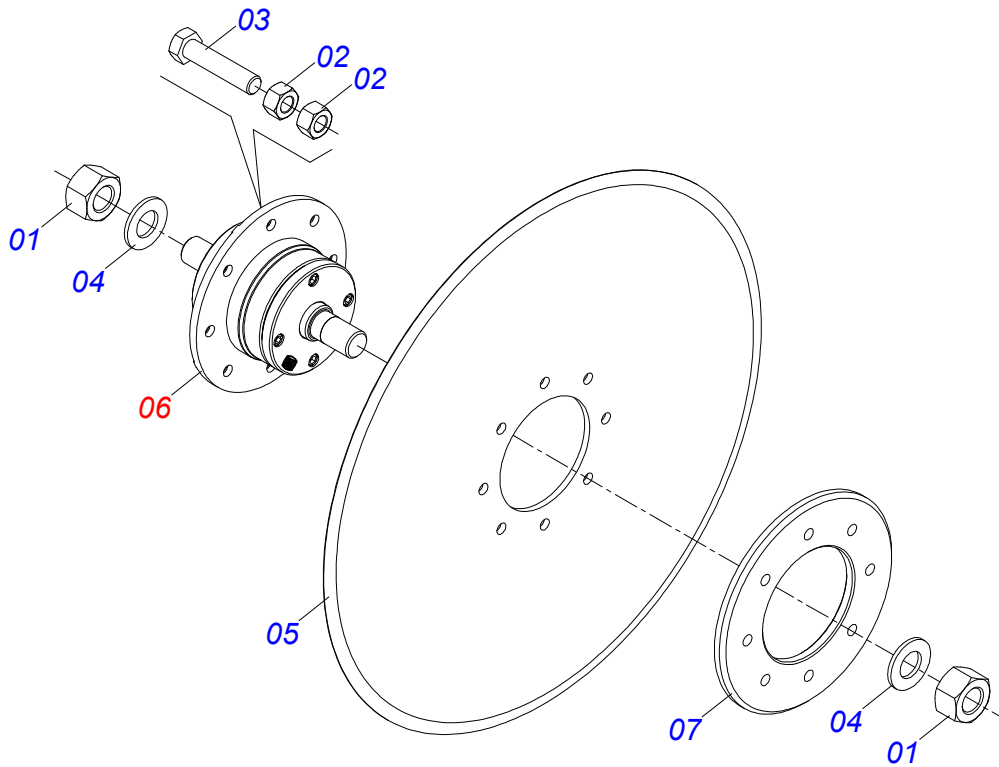
| Item | Code | Description | See page | QT |
|------|------------|---------------------------|----------|----|
| 01 | 0503014820 | WATER JUG 25/26 LITERS | | 01 |
| 02 | 0503032532 | NON-DRINKABLE WATER DECAL | | 01 |



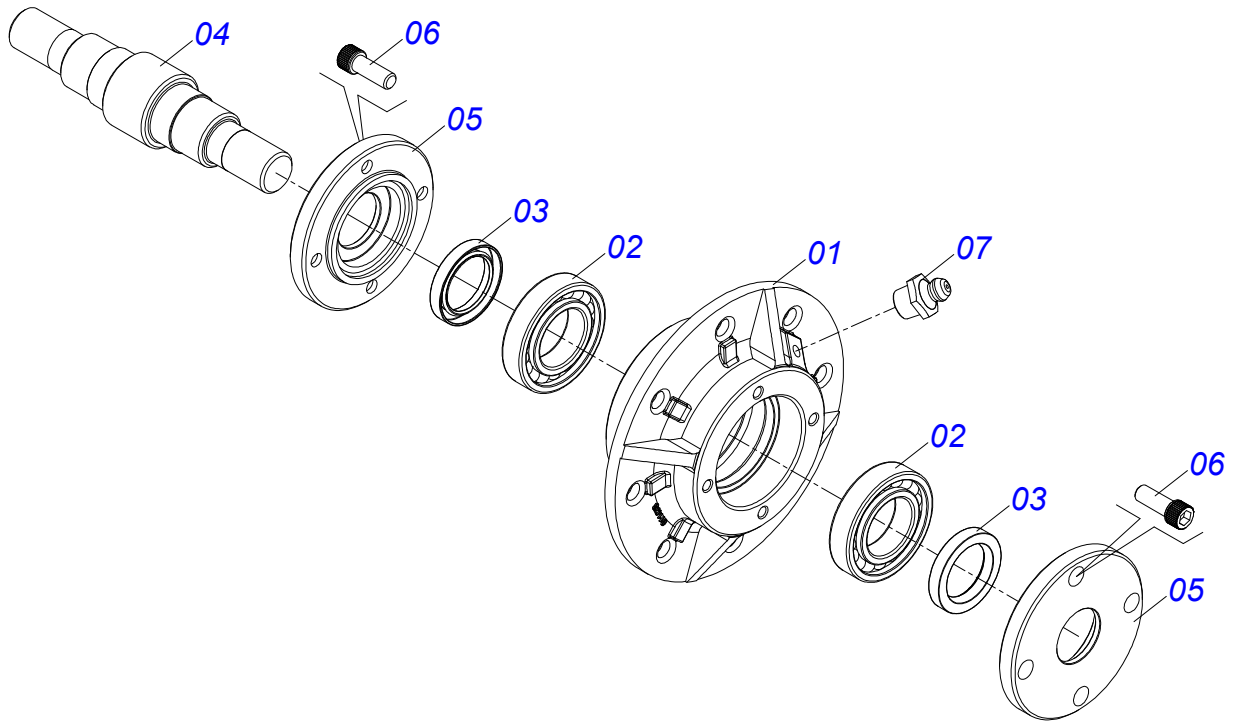
| Item | Code | Description | See page | QT |
|------|------------|---------------------------------|----------|----|
| 01 | 0502012370 | WITH BLADE DISC SUPPORT | | 01 |
| 02 | 0521056601 | 26" CUTTING DISC SEMI-ASSEMBLED | 14 | 01 |
| 03 | 0541018868 | FLAT WASHER | | 01 |
| 04 | 0541018869 | FLAT WASHER | | 01 |
| 05 | 0501010098 | BOLT 3/4" UNC X 2 C S G.5 ZN | | 01 |
| 06 | 0503010023 | SPRING WASHER 3/4" | | 05 |
| 07 | 0501010500 | 3/4" X 3" BOLT | | 04 |
| 08 | 0503010014 | HEX NUT 3/4" ZN G.5 (HEAVY) UNC | | 04 |
| 09 | 0503010004 | 1890 GREASE FITTING | | 01 |



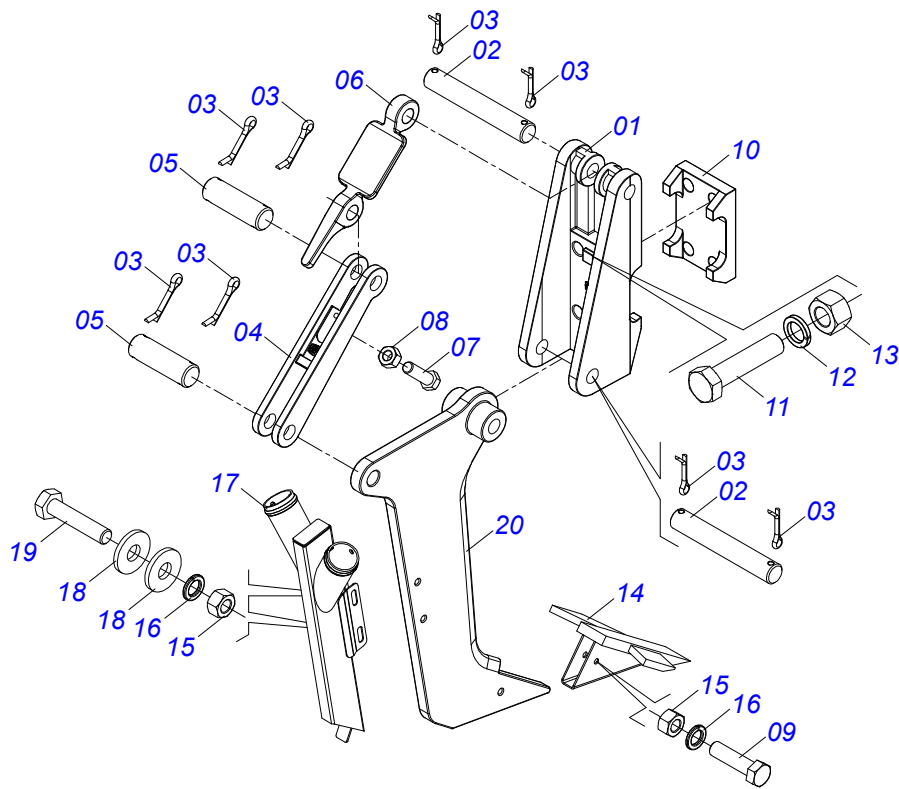
| Item | Code | Description | See page | QT |
|------|------------|---------------------------|----------|----|
| 01 | 0511067105 | BLADE DISC FORK | | 01 |
| 02 | 0501069637 | SHAFT NUT LOCK | | 02 |
| 03 | 0501052395 | 26" CUTTING DISK WITH BOX | 15 | 01 |
| 04 | 0503011445 | SPRING WASHER | | 02 |
| 05 | 0503010962 | 5/8" X 1-1/4" BOLT | | 02 |



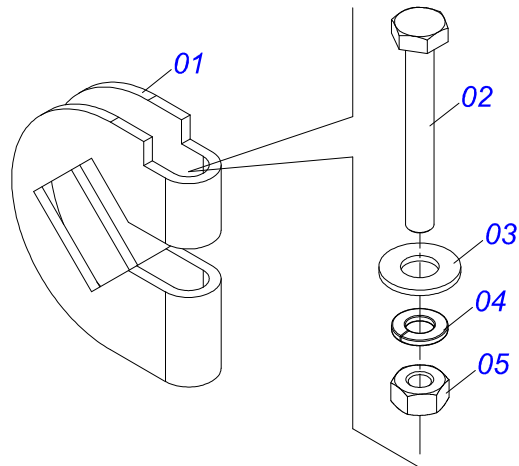
| Item | Code | Description | See page | QT |
|------|------------|----------------------------|----------|----|
| 01 | 0501010087 | 1.1/4" NUT | | 02 |
| 02 | 0503010060 | HEX NUT 1/2 UNC G.5 ZN | | 16 |
| 03 | 0503010905 | 1/2" X 2-1/4" BOLT | | 08 |
| 04 | 0501017779 | FLAT WASHER 32 X 60 X 4,75 | | 02 |
| 05 | 0603032025 | PLAIN COULTER BLADE | | 01 |
| 06 | 0501057526 | DISC HUB | 16 | 01 |
| 07 | 0521011824 | DISC BLADE SUPPORT FLANGE | | 01 |



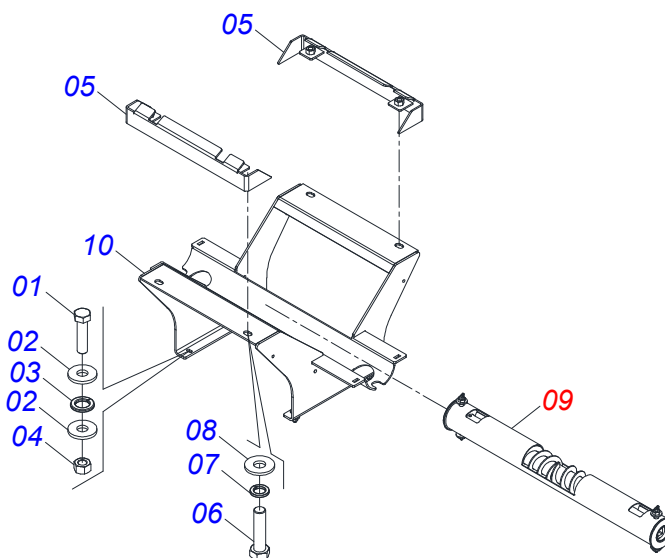
| Item | Code | Description | See page | QT |
|------|------------|------------------------|----------|----|
| 01 | 0502011478 | DISC HUB | | 01 |
| 02 | 0503011291 | 6209 BALL BEARING | | 02 |
| 03 | 0503012106 | SEAL RETAINER 00521-BR | | 02 |
| 04 | 0521012661 | DISC BLADE HUB AXLE | | 01 |
| 05 | 0502011477 | DISC BLADE HUB LID | | 02 |
| 06 | 0503010134 | 3/8" X 1" BOLT | | 08 |
| 07 | 0503010002 | GREASE FITTING 1800 | | 01 |



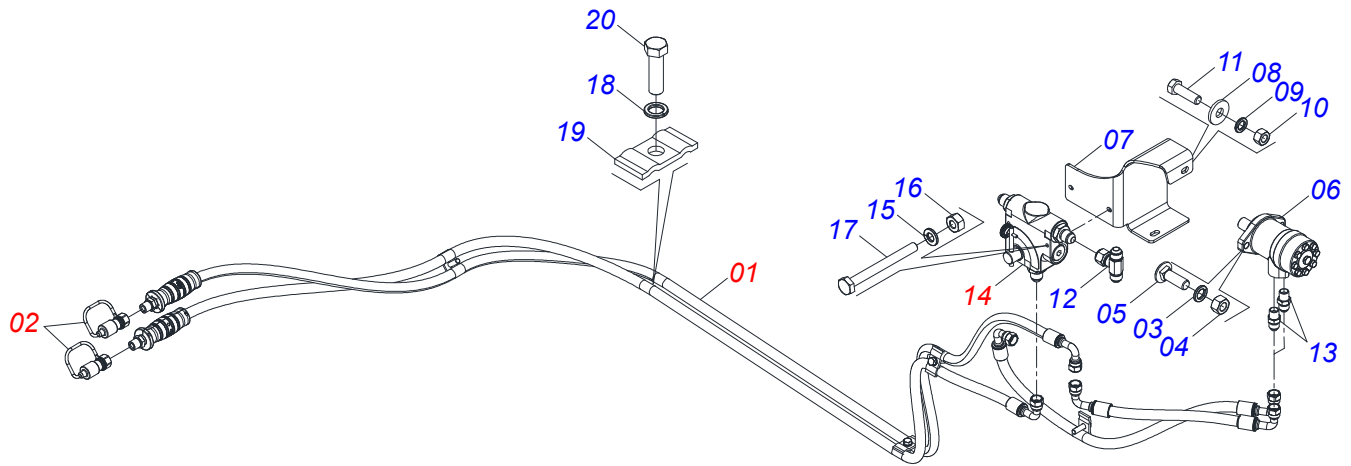
| Item | Code | Description | See page | QT |
|------|------------|--------------------------------------|----------|----|
| 01 | 0502011165 | REAR FIXER | | 01 |
| 02 | 0511015688 | 28,50X180 COUPLING SHAFT | | 02 |
| 03 | 0503010571 | SPLIT PIN 1/4" X 1.1/2" | | 08 |
| 04 | 0502011164 | SUPPORT SPRING | | 01 |
| 05 | 0511015689 | 1.1" X 3.5" COUPLING SHAFT | | 02 |
| 06 | 0521011631 | AUTOMATIC RESET | | 01 |
| 07 | 0503011135 | BOLT 7/16" UNC X 1.1/2" C S G.5 ZN | | 01 |
| 08 | 0503010244 | 7/16" NUT | | 01 |
| 09 | 0503011236 | 3/8" X 2" BOLT | | 01 |
| 10 | 1902011166 | FRONT FIXER | | 01 |
| 11 | 0511019527 | 1" X 8" BOLT | | 04 |
| 12 | 0503010012 | SPRING WASHER 1" | | 04 |
| 13 | 0503010340 | 1" NUT | | 04 |
| 14 | 0511067838 | POINT SUBSOILER | | 01 |
| 15 | 0503010026 | NUT 3/8" | | 03 |
| 16 | 0503010025 | SPRING WASHER 3/8" | | 03 |
| 17 | 0531061796 | FERTILIZER CONDUCTOR WITH 02 NOZZLES | | 01 |
| 18 | 0501010984 | FLAT WASHER 10.50 X 27 X 3.00 | | 04 |
| 19 | 0503011404 | BOLT | | 02 |
| 20 | 0502040881 | FURROW ARM WITH DRIVER HOLE | | 01 |



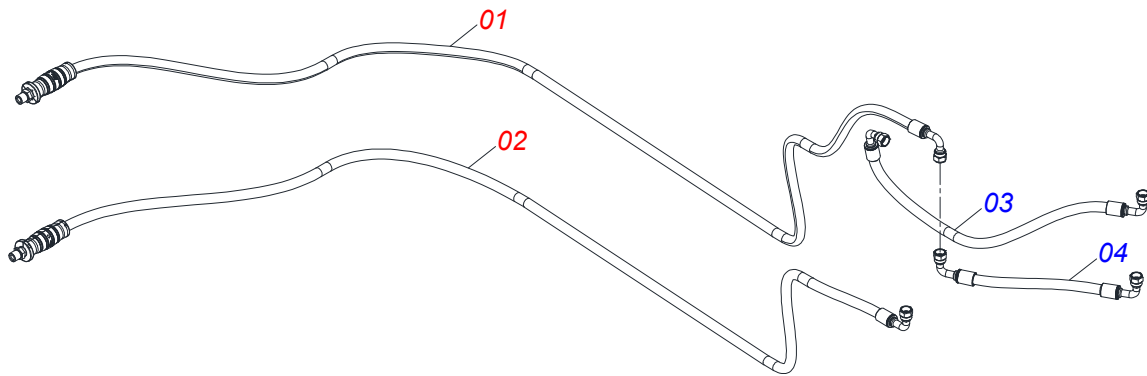
| Item | Code | Description | See page | QT |
|------|------------|-----------------------------|----------|----|
| 01 | 0521010691 | AXLE FASTENER | | 01 |
| 02 | 0503010373 | SCREW 1/4 UNC X 2 CS G.2 ZN | | 01 |
| 03 | 0511017303 | FLAT WASHER | | 01 |
| 04 | 0503010143 | SPRING WASHER 1/4" | | 01 |
| 05 | 0503010144 | 1/4" NUT | | 01 |



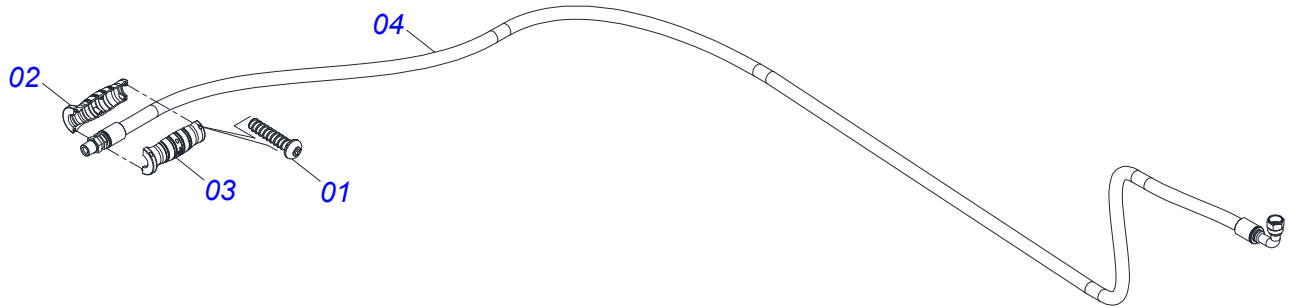
| Item | Code | Description | See page | QT |
|------|------------|---|----------|----|
| 01 | 0503010849 | BOLT 3/8" X 1-1/2" | | 04 |
| 02 | 0501010984 | FLAT WASHER 10,50 X 27 X 3,00 | | 08 |
| 03 | 0503010025 | SPRING WASHER 3/8" | | 04 |
| 04 | 0503010026 | NUT 3/8" | | 04 |
| 05 | 0511068656 | FERTILIZER BEAM LOCK | | 02 |
| 06 | 0503010233 | 5/8 UNC X 2.1/2 CS G.5 ZN BOLT | | 04 |
| 07 | 0503010027 | SPRING WASHER 5/8" | | 04 |
| 08 | 0501012140 | FLAT WASHER 16,50 X 40 X 4,00 ZN | | 04 |
| 09 | 0521056597 | LEFT/RIGHT SILO THREAD DISTRIBUTOR ASSEMBLY | 3 | 01 |
| 10 | 0541062233 | SUPPORT CENTRAL SILO | | 01 |



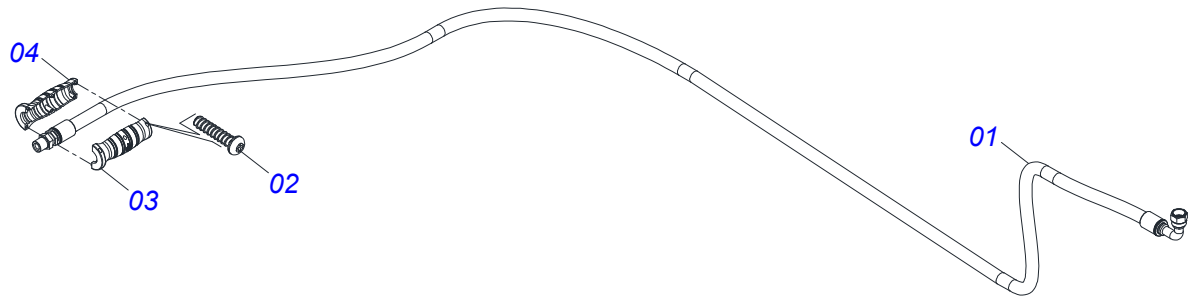
| Item | Code | Description | See page | QT |
|------|------------|--|----------|----|
| 01 | 0551050753 | HOSE ASSY | 21 | 01 |
| 02 | 0501053834 | MALE QUICK COUPLER | 24 | 02 |
| 03 | 0503010019 | SPRING WASHER 1/2" | | 02 |
| 04 | 0503010060 | HEX NUT 1/2 UNC G.5 ZN | | 02 |
| 05 | 0503014378 | BOLT 1/2" X 1-1/2" | | 02 |
| 06 | 0503014364 | MOTOR WITH CYLINDER AXLE | | 01 |
| 07 | 0501314626 | VALVE SUPPORT | | 01 |
| 08 | 0501010984 | FLAT WASHER 10.50 X 27 X 3.00 | | 01 |
| 09 | 0503010025 | SPRING WASHER 3/8" | | 01 |
| 10 | 0503010026 | NUT 3/8" | | 01 |
| 11 | 0503010751 | C3/8" X 1.1/4" HEX BOLT G.5 | | 01 |
| 12 | 0503013055 | "T" ADAPTOR WITH GIRAT NUT | | 01 |
| 13 | 0511014065 | 7/8" NF X R1/2NPT X 52 NIPPLE | | 02 |
| 14 | 0541059122 | REGULATORY VALVE PFC51-12 C/ NIPLE 7/8NF X 25 R1.1/16 UN | | 01 |
| 15 | 0503010143 | SPRING WASHER 1/4" | | 02 |
| 16 | 0503010144 | 1/4" NUT | | 02 |
| 17 | 0503011194 | BOLT 1/4 UNC X 2.1/2 CS G.2 ZN | | 02 |
| 18 | 0503010180 | SPRING WASHER 7/16" | | 05 |
| 19 | 0531011180 | SUPPORT | | 05 |
| 20 | 0503011135 | BOLT 7/16" UNC X 1.1/2" C S G.5 ZN | | 05 |



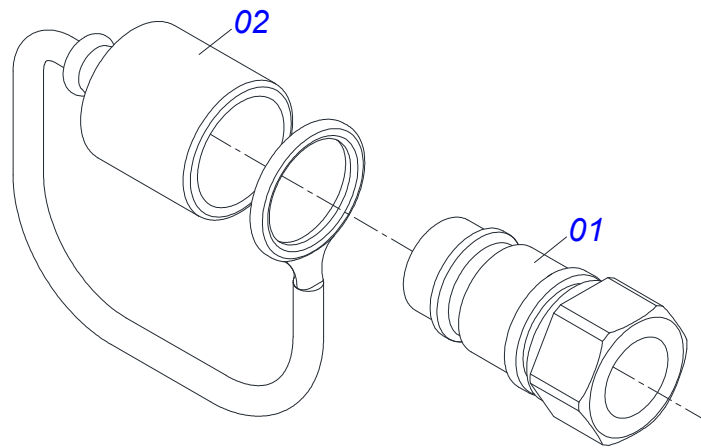
| Item | Code | Description | See page | QT |
|------|------------|-------------------------------------|----------|----|
| 01 | 0551050755 | 1/2 X 3300 TC-TM YELLOW / RED HOSE | 22 | 01 |
| 02 | 0541057049 | 1/2 X 3600 TC-TM YELLOW / BLUE HOSE | 23 | 01 |
| 03 | 0501080293 | HOSE 1/2 X 800 TC-TC | | 01 |
| 04 | 0501082237 | 1/2 X 450 TC-TC HOSE | | 01 |



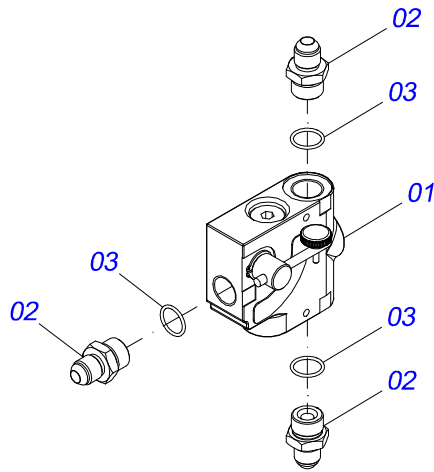
| Item | Code | Description | See page | QT |
|------|------------|-------------------------------|----------|----|
| 01 | 0503018952 | PLASTIC BOLT PH 2.5 X 10 ZB | | 06 |
| 02 | 0503034495 | HYDRAULIC HOSE GRIP (RED) | | 01 |
| 03 | 0503034493 | HYDRAULIC HOSE DEPTH (YELLOW) | | 01 |
| 04 | 0501080117 | HOSE 1/2 X 3300 TC-TM | | 01 |



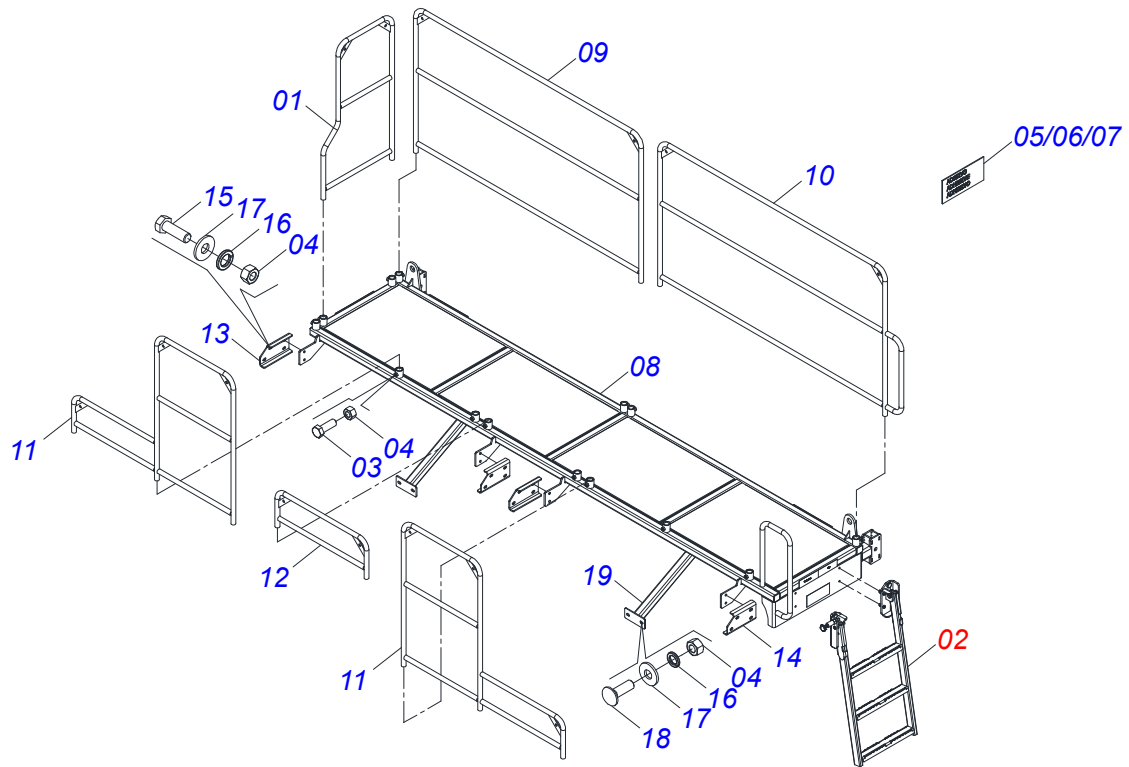
| Item | Code | Description | See page | QT |
|------|------------|-------------------------------|----------|----|
| 01 | 0501083724 | HOSE 1/2 X 3600 TC-TM | | 01 |
| 02 | 0503018952 | PLASTIC BOLT PH 2.5 X 10 ZB | | 06 |
| 03 | 0503034494 | HYDRAULIC HOSE GRIP (BLUE) | | 01 |
| 04 | 0503034493 | HYDRAULIC HOSE DEPTH (YELLOW) | | 01 |



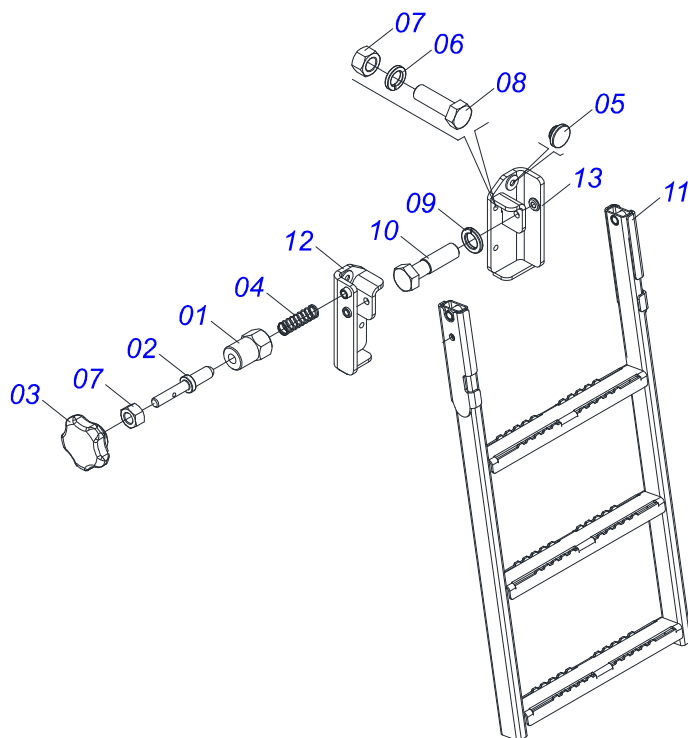
| Item | Code | Description | See page | QT |
|------|------------|--------------------------------|----------|----|
| 01 | 0503011627 | MALE QUICK COUPLER AGR 1/2 NPT | | 01 |
| 02 | 0503011882 | MALE QUICK COUPLER CAP | | 01 |



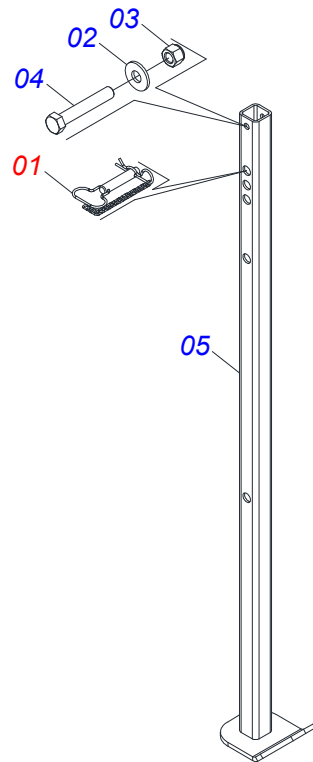
| Item | Code | Description | See page | QT |
|------|------------|---------------------------|----------|----|
| 01 | 0503012160 | VALVE | | 01 |
| 02 | 0511018014 | 7/8"NF X 1.1/16 UN NIPPLE | | 03 |
| 03 | 0503011109 | O'RING 2-119 N 3006 9B | | 03 |



| Item | Code | Description | See page | QT |
|------|------------|------------------------------------|----------|----|
| 01 | 0531060220 | SIDE HANDRAIL | | 01 |
| 02 | 0541053997 | MOBILE LADDER ASSY | 27 | 01 |
| 03 | 0503030678 | BOLT 1/2 UNC X 1.1/2 CSPC G.5 ZN | | 14 |
| 04 | 0503010060 | HEX NUT 1/2 UNC G.5 ZN | | 38 |
| 05 | 0503013229 | REFLECTIVE SIDE BAND | | 04 |
| 06 | 0503031565 | CAUTION TRANSPORTATION DECAL | | 01 |
| 07 | 0503034078 | LIFTING POINTS DECAL | | 02 |
| 08 | 0541062232 | PLATFORM | | 01 |
| 09 | 0541062227 | HANDRAIL LADDER BACK LEFT | | 01 |
| 10 | 0541062226 | HANDRAIL LADDER BACK RIGHT | | 01 |
| 11 | 0541062231 | FRONT SIDE HANDRAIL | | 02 |
| 12 | 0541062229 | FRONT CENTER HANDRAIL | | 01 |
| 13 | 0501514746 | LOCK LEFT PLATFORM | | 02 |
| 14 | 0501514747 | RIGHT LOCK PLATFORM | | 02 |
| 15 | 0503010920 | 1/2 UNC X 1.1/2 C S G.5 ZN BOLT | | 16 |
| 16 | 0503010019 | SPRING WASHER 1/2" | | 24 |
| 17 | 0511017302 | FLAT WASHER 13.50 X 32.50 X 3.0 ZN | | 24 |
| 18 | 0503014378 | BOLT 1/2" X 1-1/2" | | 08 |
| 19 | 0541062225 | PLATFORM SUPPORT ARM | | 02 |



| Item | Code | Description | See page | QT |
|------|------------|---------------------------------|----------|----|
| 01 | 0581016319 | LOCK FIXATION | | 01 |
| 02 | 0591011307 | LADDER LOCK PIN | | 01 |
| 03 | 0503010293 | CLAMP KNOB | | 01 |
| 04 | 0503034639 | SPRING | | 01 |
| 05 | 0503032594 | 30 X 13 X 19 PLUG | | 02 |
| 06 | 0503032594 | 30 X 13 X 19 PLUG | | 04 |
| 07 | 0503010026 | NUT 3/8" | | 05 |
| 08 | 0503010751 | C3/8" X 1.1/4" HEX BOLT G.5 | | 04 |
| 09 | 0503010019 | SPRING WASHER 1/2" | | 02 |
| 10 | 0503011172 | BOLT 1/2 UNC X 2.1/2 C S G.5 ZN | | 02 |
| 11 | 0531068488 | MOBILE LADDER | | 01 |
| 12 | 0531068490 | LEFT LADDER FIXING SUPPORT | | 01 |
| 13 | 0531068491 | RIGHT LADDER FIXING SUPPORT | | 01 |



| Item | Code | Description | See page | QT |
|------|------------|------------------------------------|----------|----|
| 01 | 0521054631 | AXIS 27,80 X EC 98 ASSY | 9 | 01 |
| 02 | 0511017302 | FLAT WASHER 13.50 X 32.50 X 3.0 ZN | | 01 |
| 03 | 0503010589 | SELF ADJUSTING NUT 1/2" UNC | | 01 |
| 04 | 0503010479 | BOLT | | 01 |
| 05 | 0541061767 | PLOUGH SUPPORT | | 01 |



civemasa

Technical Publications | Elaboration and Revision

DANIELE DA COSTA ANTONIO

www.civemasa.com.br

