

DISK HARROWS

GDL 20/24/28/36/40/42D - PA
GDL 20/24/28/36/40/42D - PA

Code: 0501093989
Series: S-0724
Revision: 00
Revision Date: SEPTEMBER/2024

PARTS
CATALOGUE

CIVEMASA




PRODUCTS

Code	Working Width	Description
0121470098		GDL 20 X 22 X 4,50 MT DMO PA E 1.1/4 S-0724
0121470097		GDL 24 X 22 X 4,50 MT DMO PA E 1.1/4 S-0724
0121470096		GDL 28 X 22 X 4,50 MT DMO PA E 1.1/4 S-0724
0121470095		GDL 36 X 22 X 4,50 MT DMO PA E 1.1/4 S-0724
0121470066		GDL 40 X 22 X 4,50 MT DMO PA E 1.1/4 S-0724
0121470094		GDL 42 X 22 X 4,50 MT DMO PA E 1.1/4 S-0724

ATTENTION: IMPORTANT

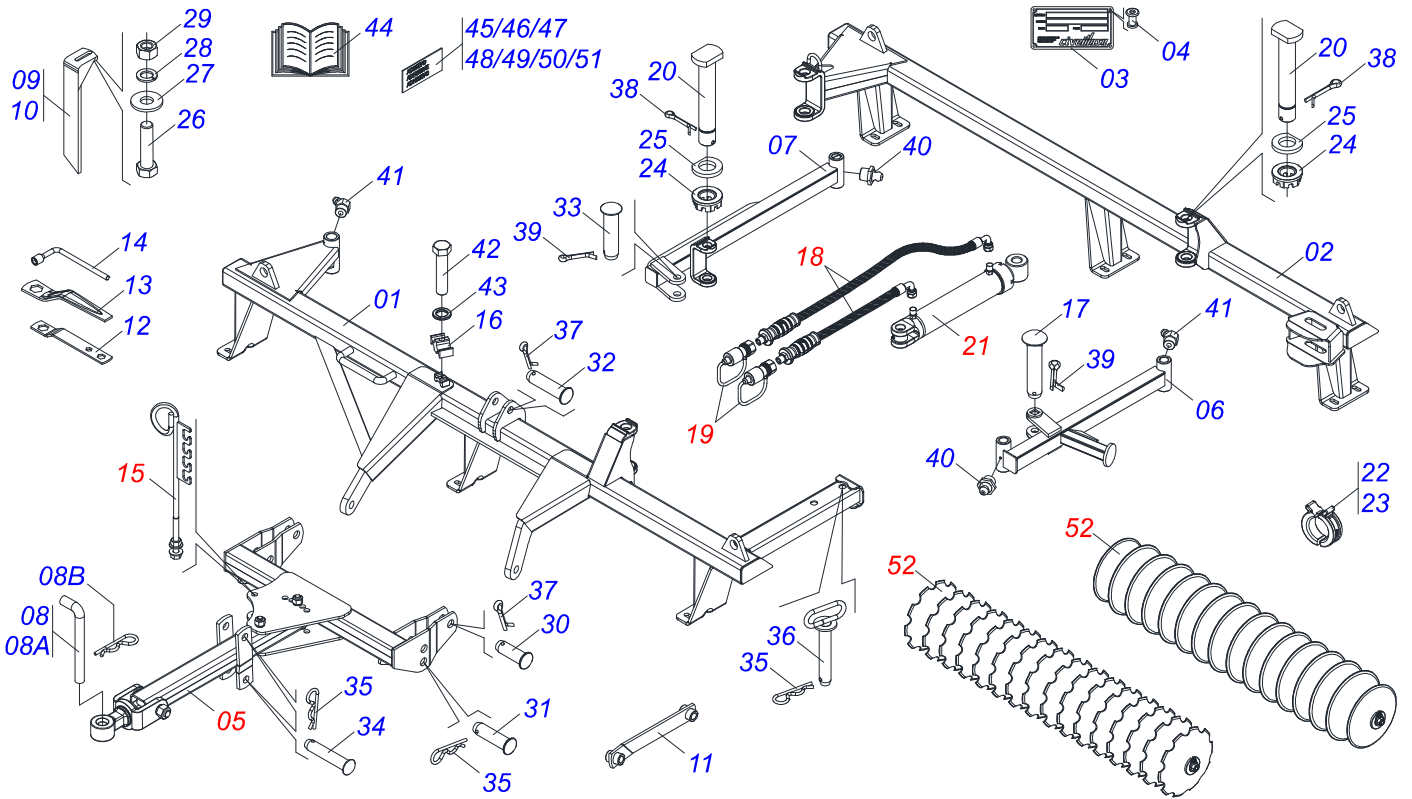
CIVEMASA reserves the right to improve and/or modify the technical features of its products, without obligation to do the same with those products already sold and without prior knowledge of the dealer or the customer. The photos are only illustrative.



INDEX

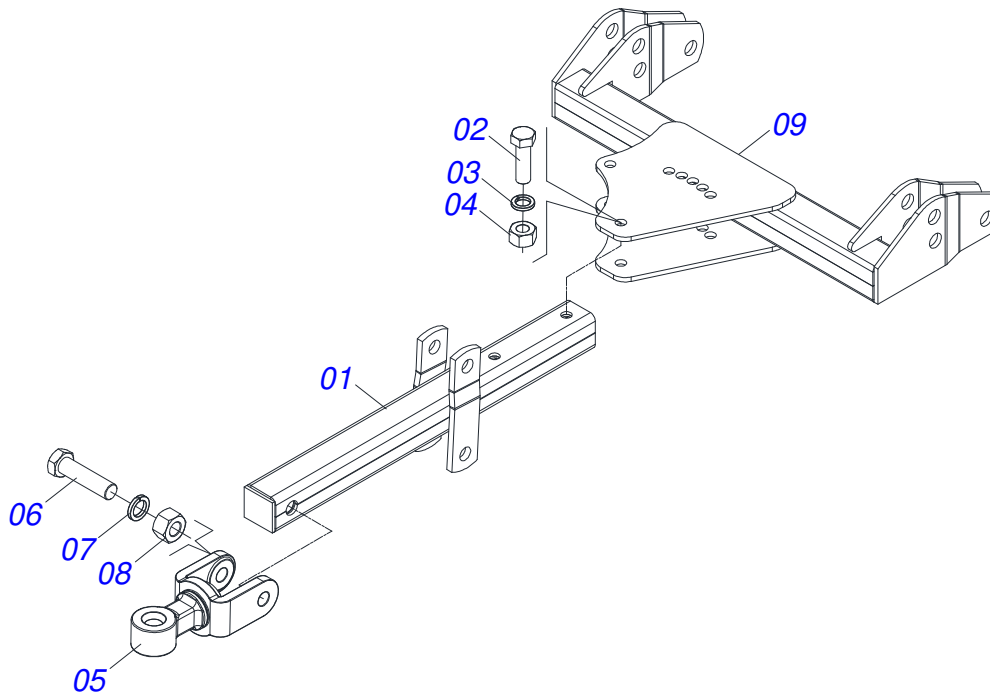
0909097379	FRAME ASSY	1
0531040840	DRAWBAR ASSEMBLY	2
0531040839	3/4 X 675 HOSE SUPPORT	3
0521056787	HOSE GAME	4
0501053834	MALE QUICK COUPLER	5
0531046241	HYDRAULIC CYLINDER	6
0531042097	HYDRAULIC CYLINDER	7
0909097380	ASSY DISC GANG	8
0521047188	182 X 1.1/4 DMO BEARING W/PROTECTION SUPPORT	9
0521050841	AGRICULTURAL BEARING DMO 182 X 1.1/4	10

FRAME ASSY

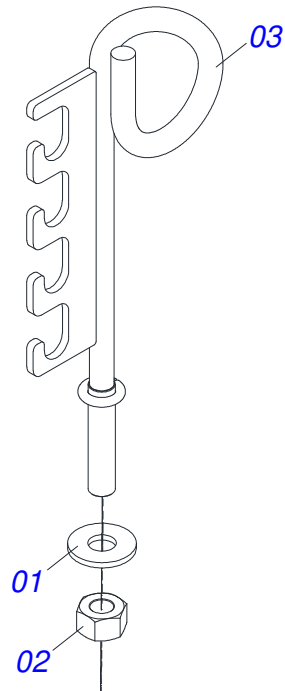


Item	Code	Description	See page	20	24	28	36	40	42
01	0531069251	FRONT FRAME - 20D		01	00	00	00	00	00
01.	0531069266	FRONT FRAME - 24D		00	01	00	00	00	00
01..	0531069258	FRONT FRAME - 28D		00	00	01	00	00	00
01...	0531069280	FRONT FRAME - 36D		00	00	00	01	00	00
01.....	0531069289	FRONT FRAME - 40D		00	00	00	00	01	00
01.....	0531069295	FRONT FRAME - 42D		00	00	00	00	00	01
02	0531069249	REAR FRAME - 20D		01	00	00	00	00	00
02.	0531069268	REAR FRAME - 24D		00	01	00	00	00	00
02..	0531069260	REAR FRAME - 28D		00	00	01	00	00	00
02...	0531069282	REAR FRAME - 36D		00	00	00	01	00	00
02.....	0531069291	REAR FRAME - 40D		00	00	00	00	01	00
02.....	0531069293	REAR FRAME - 42D		00	00	00	00	00	01
03	0503034004	ALUMINUM IDENTIFICATION DECAL		01	01	01	01	01	01
04	0503010001	RIVET 3,2 X 5,5		04	04	04	04	04	04
05	0531040840	DRAWBAR ASSEMBLY	2	01	01	01	01	01	01
06	0531069387	FRONT STABILIZER BAR		01	01	00	00	00	00
06.	0531063461	FRONT STABILIZER BAR		00	00	01	01	00	00
06..	0531069366	FRONT STABILIZER BAR		00	00	00	00	01	01
07	0531069388	REAR STABILIZER BAR		01	01	00	00	00	00
07.	0531063463	REAR STABILIZER BAR		00	00	01	01	00	00
07..	0531069364	REAR STABILIZER BAR		00	00	00	00	01	01
08	0501040343	HITCH AXIS ASSY		01	01	01	01	01	01
08A	0521010453	JOINT AXIS		01	01	01	01	01	01
08B	0503031035	HITCH PIN CLIP		01	01	01	01	01	01
09	0501063963	FRONT SCRAPER		07	08	10	13	14	15
10	0501063962	REAR SCRAPER		07	08	10	13	14	15
11	0531061940	SIDE SUPPORT		01	01	01	01	01	01
12	0511018451	5/8" X 3/4" X 1" UNIVERSAL		01	01	01	01	01	01
13	0501010198	1-1/4" CABLE FLAT WRENCH		02	02	02	02	02	02
14	0501068273	5/8" WRENCH		01	01	01	01	01	01
15	0531040839	3/4 X 675 HOSE SUPPORT	3	01	01	01	01	01	01
16	0502012702	BODY SUPPORT CLAMP		01	01	01	01	01	01

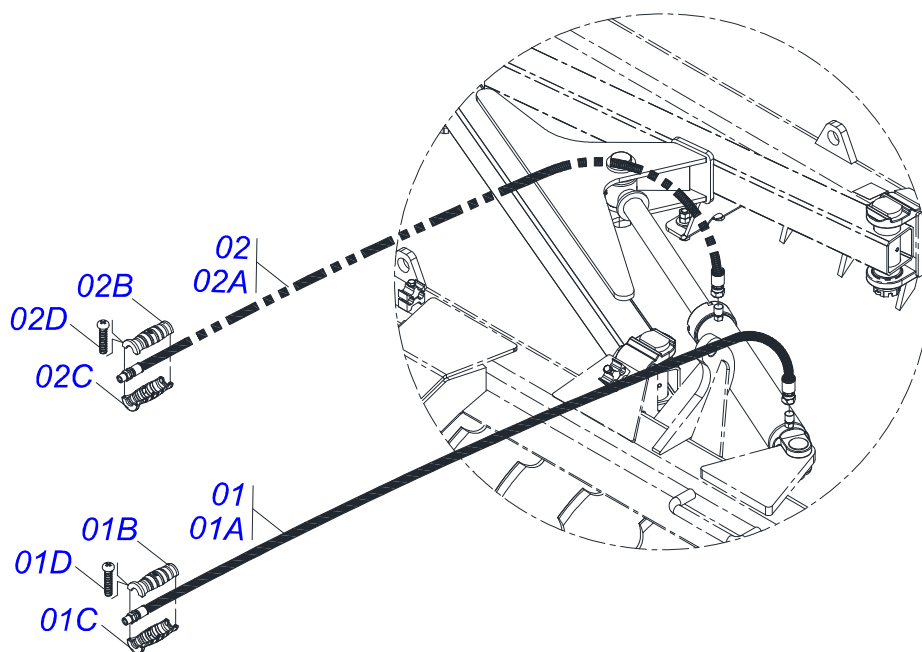
Item	Code	Description	See page	20	24	28	36	40	42
17	0521013077	1.2" X 5.7" PIVOT SHAFT		01	01	01	01	01	01
18	0521056787	HOSE GAME	4	01	01	01	01	01	01
19	0501053834	MALE QUICK COUPLER	5	02	02	02	02	02	02
20	0531019497	1.5" X 9.2" ARTICULATED AXIS		04	04	04	04	04	04
21	0531046241	HYDRAULIC CYLINDER	6	01	00	00	00	00	00
21.	0531042097	HYDRAULIC CYLINDER	7	00	01	01	01	01	01
22	0501047885	30 ROD STOP		03	03	03	03	03	03
23	0501047895	25 ROD STOP		04	04	04	04	04	04
24	0501011301	1.1/2" UNC 6FPP 2.5/16" NUT		04	04	04	04	04	04
25	0531019540	FLAT WASHER		04	04	04	04	04	04
26	0503011082	C1/2" X 1.3/4" SCREW		28	32	40	52	56	60
27	0511017302	FLAT WASHER 13,50 X 32,50 X 3,0 ZN		28	32	40	52	56	60
28	0503010019	1/2" SPRING WASHER		28	32	40	52	56	60
29	0503010060	1/2 UNC G.5 ZN HEX NUT		28	32	40	52	56	60
30	0521010592	1.1" X 3.1" COUPLING SHAFT		02	02	02	02	02	02
31	0521010593	1.1" X 3.9" COUPLING SHAFT		02	02	02	02	02	02
32	0521010579	COUPLING SHAFT		01	01	01	01	01	01
33	0521010544	1.2" X 4.9" COUPLING SHAFT		01	01	01	01	01	01
34	0521010581	0.9" X 4.9" COUPLING SHAFT		02	02	02	02	02	02
35	0503031035	HITCH PIN CLIP		05	05	05	05	05	05
36	0521067644	JUNCTION SHAFT 25,40 X 140		01	01	01	01	01	01
37	0503010571	1/4" X 1.1/2" SPLIT PIN		03	03	03	03	03	03
38	0503010010	1/4" X 2.1/2" SPLIT PIN		04	04	04	04	04	04
39	0503010523	1/4 X 2 SPLIT PIN		02	02	02	02	02	02
40	0503010002	1800 GREASE FITTING		02	02	02	02	02	02
41	0503010003	1845 GREASE FITTING		02	02	02	02	02	02
42	0503012555	7/16" UNC X 2" CS RT G.7 ZN SCREW		01	01	01	01	01	01
43	0503010180	7/16" SPRING WASHER		01	01	01	01	01	01
44	0511031511	BAG WITH INSTRUCTION MANUAL		01	01	01	01	01	01
45	0503033644	GDL EMBLEM		01	01	01	01	01	01
46	0503031428	ATTENTION READ MANUAL DECAL		01	01	01	01	01	01
47	0503033404	CIVEMASA BADGE		01	01	01	01	01	01
48	0503034438	ADHESIVE LABEL		01	01	01	01	01	01
49	0503033647	APPROVED DECAL		01	01	01	01	01	01
50	0503033243	EMBLEM LOGO CIVEMASA 60 X 240		01	01	01	01	01	01
51	0503031827	DAILY LUBRICATION AND RETIGHTENING DECAL		01	01	01	01	01	01
52		ASSY DISC GANG	8						



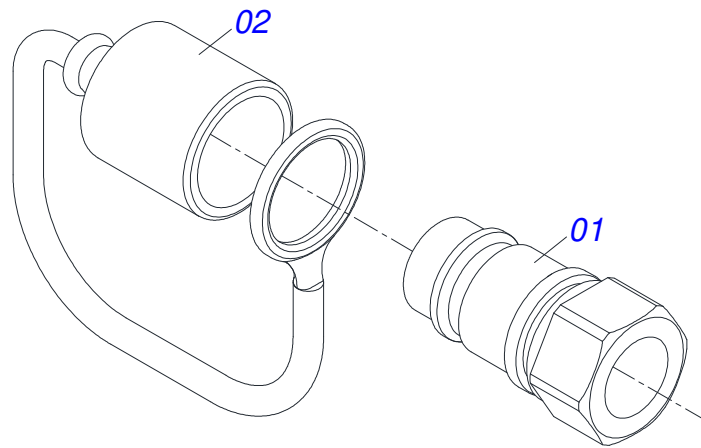
Item	Code	Description	See page	QT
01	0501060670	TRACTION BAR		01
02	0503011084	3/4" X 5" BOLT		02
03	0503011442	3/4" SPRING WASHER		02
04	0503010014	3/4" ZN G.5 (HEAVY) UNC HEX NUT		02
05	0521061775	TRACTOR HITCH		01
06	0501010060	1" X 6-1/2" BOLT		01
07	0503011438	SPRING WASHER		01
08	0501010059	1.5/8 NUT		01
09	0531061946	HITCH BAR		01



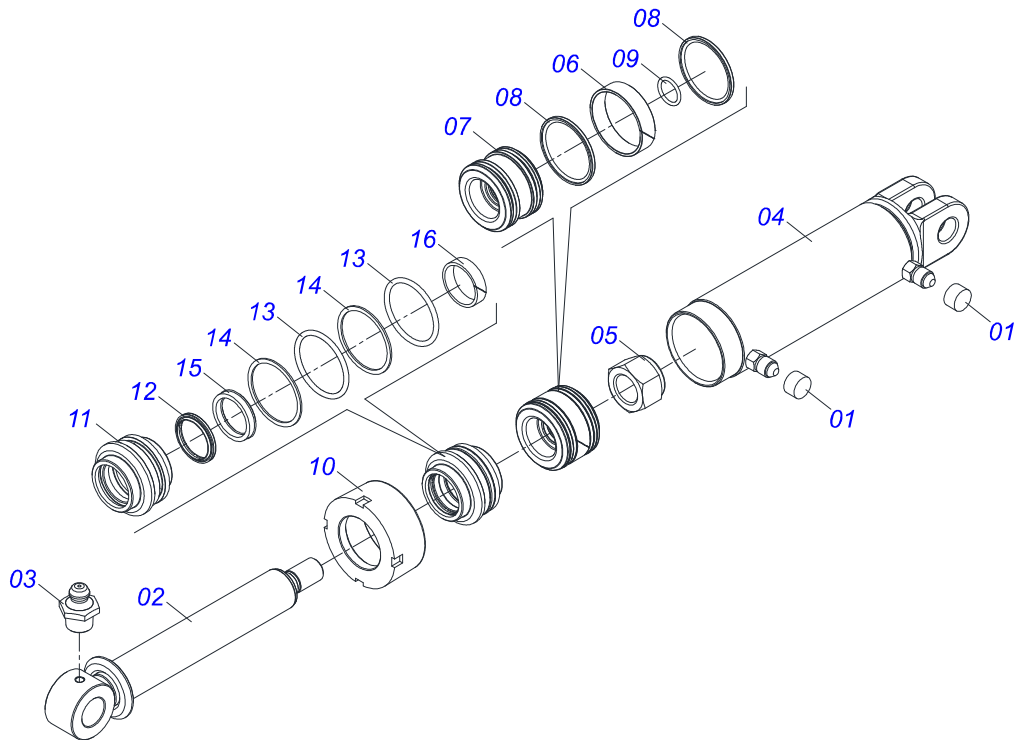
Item	Code	Description	See page	QT
01	0501010322	20,50 X 46 X 4,00 ZN FLAT WASHER		02
02	0503010014	3/4" ZN G.5 (HEAVY) UNC HEX NUT		02
03	0521063508	HOSE SUPPORT		01



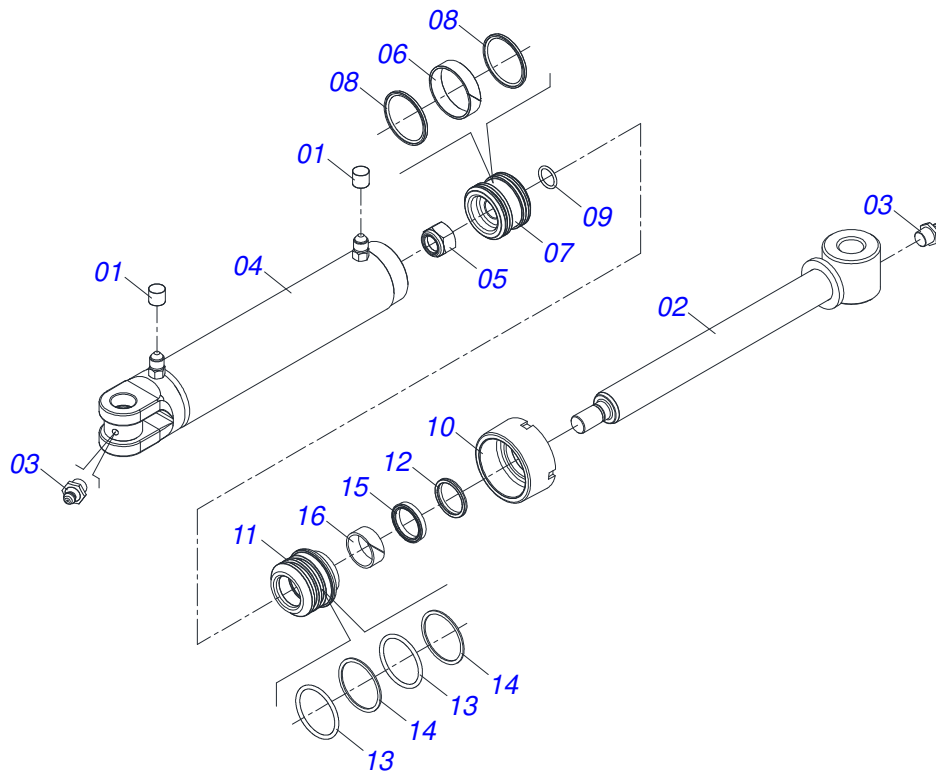
Item	Code	Description	See page	QT
01	0521052345	3/8 X 3600 HOSE TC-TM PURPLE / RED		01
01A	0501082023	3/8" X 141" TC-TM HOSE		01
01B	0503034491	HYDRAULIC HOSE GRIP (PURPLE)		01
01C	0503034495	HYDRAULIC HOSE GRIP (RED)		01
01D	0503018952	PH 2,5 X 10 ZB PLASTIC BOLT		06
02	0521052346	3/8 X 3600 HOSE TC-TM PURPLE / BLUE		01
02A	0501082023	3/8" X 141" TC-TM HOSE		01
02B	0503034491	HYDRAULIC HOSE GRIP (PURPLE)		01
02C	0503034494	HYDRAULIC HOSE GRIP (BLUE)		01
02D	0503018952	PH 2,5 X 10 ZB PLASTIC BOLT		06



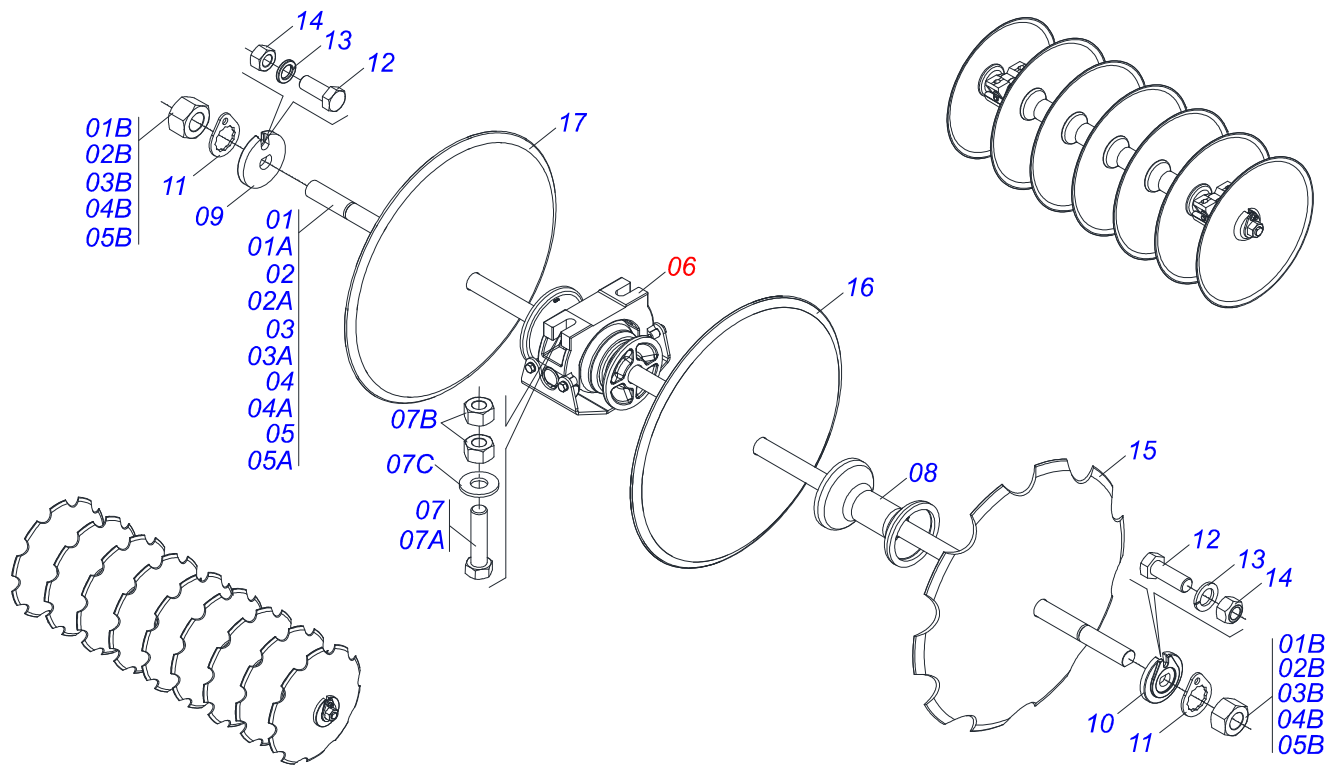
Item	Code	Description	See page	QT
01	0503011627	MALE QUICK COUPLER AGR 1/2 NPT		01
02	0503011882	MALE QUICK COUPLER CAP		01



Item	Code	Description	See page	QT
01	0503030385	CYLINDER PLUG N-002		02
02	0511074495	EXTENDER		01
03	0503010002	1800 GREASE FITTING		02
04	0511074493	CYLINDER BARREL		01
05	0503010063	1" SELF-ALIGNING NUT		01
06	0503018140	RING GUIDE		01
07	0581010304	PISTON		01
08	0503018138	RING BS		02
09	0503010042	2-214 N 3006-9B O'RING		01
10	0502011899	MOBILE LID		01
11	0581010301	RING SUPPORT		01
12	0503010761	D-1750 SCRAPER RING		01
13	0503010343	2-334 N 3006-9B O'RING		02
14	0503011059	8-334 BACK-UP RING		02
15	0503017937	GASKET		01
16	0503017938	RING GUIDE		01

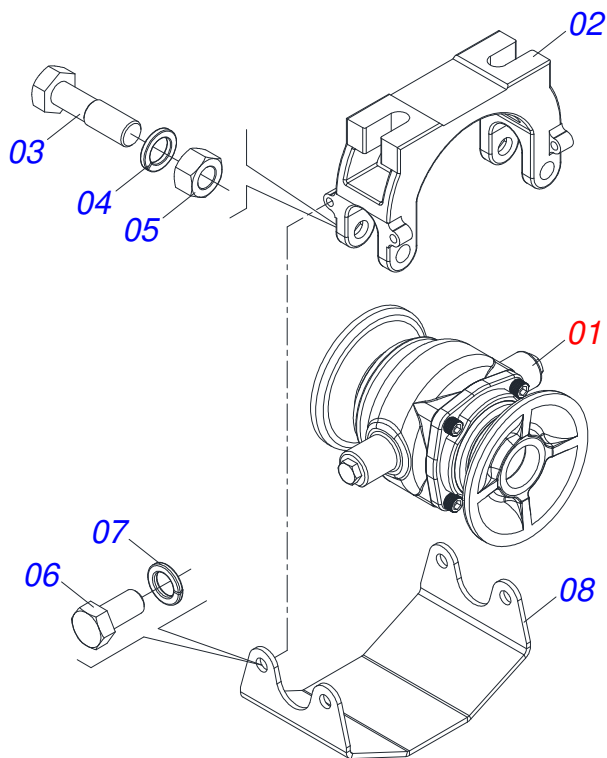


Item	Code	Description	See page	QT
01	0503030385	CYLINDER PLUG N-002		02
02	0531063462	PISTON ROD		01
03	0503010002	1800 GREASE FITTING		02
04	0511072609	CYLINDER CASE		01
05	0503010063	1" SELF-ALIGNING NUT		01
06	0503018140	RING GUIDE		01
07	0581010304	PISTON		01
08	0503018138	RING BS		02
09	0503010042	2-214 N 3006-9B O'RING		01
10	0502011899	MOBILE LID		01
11	0581010301	RING SUPPORT		01
12	0503010761	D-1750 SCRAPER RING		01
13	0503010343	2-334 N 3006-9B O'RING		02
14	0503011059	8-334 BACK-UP RING		02
15	0503017937	GASKET		01
16	0503017938	RING GUIDE		01

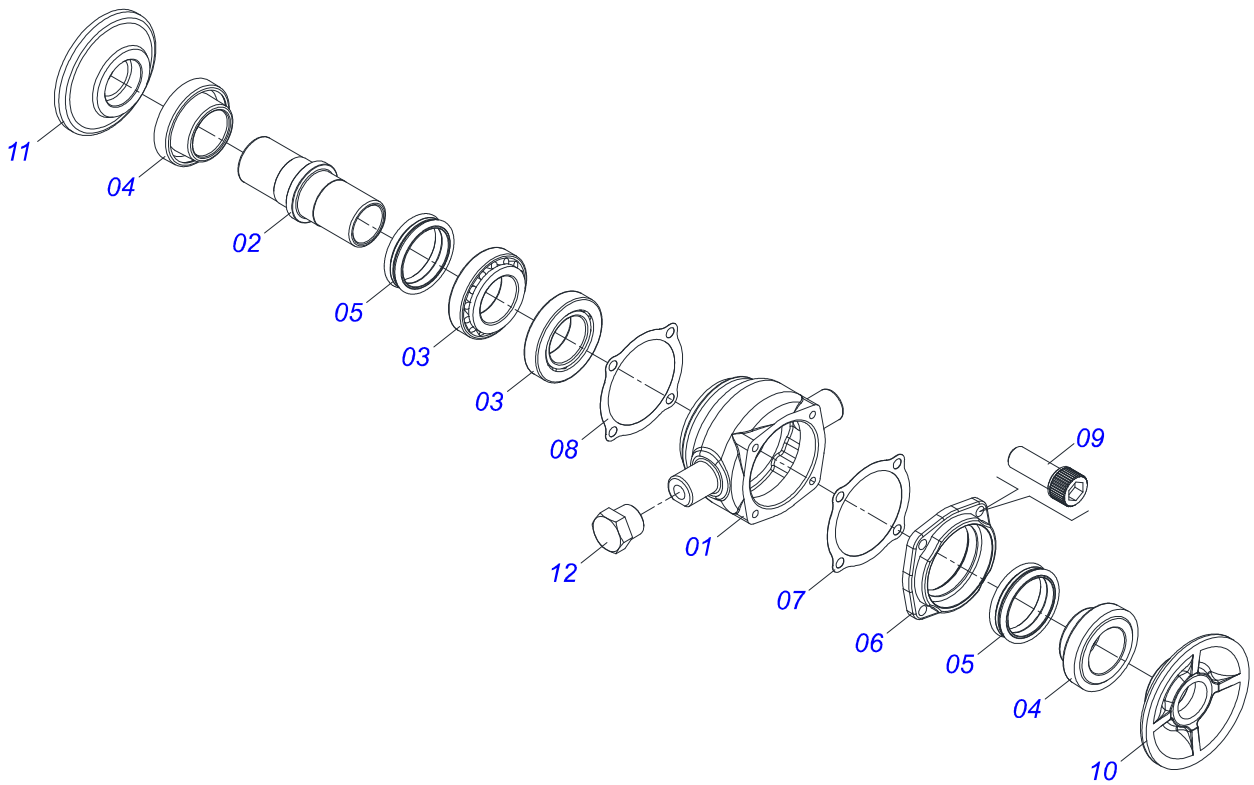


Item	Code	Description	See page	20	24	28	36	40	42
01	0501040694	1-1/4" X 66" AXLE WITH NUTS		02	00	00	00	00	00
01A	0501010439	1-1/4" X 66" AXLE		01	00	00	00	00	00
01B	0501010087	1.1/4" NUT		02	00	00	00	00	00
02	0501040253	1-1/4" X 80" AXLE WITH NUTS		00	02	00	00	00	02
02A	0501010440	1-1/4" X 80" AXLE		00	01	00	00	00	01
02B	0501010087	1.1/4" NUT		00	02	00	00	00	02
03	0501041160	1-1/4" X 93.5" AXLE WITH NUTS		00	00	02	00	00	00
03A	0501012749	1-1/4" X 93.5" AXLE		00	00	01	00	00	00
03B	0501010087	1.1/4" NUT		00	00	02	00	00	00
04	0501040696	1-1/4" X 59" AXLE WITH NUTS		00	00	00	04	02	02
04A	0501010087	1.1/4" NUT		00	00	00	01	01	01
04B	0501010438	1-1/4" X 59" AXLE		00	00	00	02	02	02
05	0501042947	1-1/4" X 74" AXLE WITH NUTS		00	00	00	00	02	00
05A	0501017377	1-1/4" X 74" AXLE		00	00	00	00	01	00
05B	0501010087	1.1/4" NUT		00	00	00	00	02	00
06	0521047188	182 X 1.1/4 DMO BEARING W/PROTECTION 9 SUPPORT		04	04	06	08	10	10
07	0521059224	BOLT ASSEMBLY 5/8 UNC X 2.3/4		08	08	12	16	20	20
07A	0501013233	5/8" X 2-3/4" BOLT		01	01	01	01	01	01
07B	0503010013	5/8 UNC G.5 ZN HEX NUT		02	02	02	02	02	02
07C	0501012140	FLAT WASHER 16,50 X 40 X 4,00 ZN		01	01	01	01	01	01
08	0502020068	6.57" SPACER		14	16	20	24	26	28
09	0502010834	1-1/4" INNER AXLE WASHER		02	02	02	04	04	04
10	0502010835	1-1/4" EXTERNAL AXLE WASHER		02	02	02	04	04	04
11	0501010455	1.1/4" NUT LOCK		04	04	04	08	08	08
12	0503010395	1/2" X 1-1/4" BOLT		04	04	04	16	16	16
13	0503010019	1/2" SPRING WASHER		04	04	04	16	16	16
14	0503010060	1/2 UNC G.5 ZN HEX NUT		04	04	04	16	16	16
15	0602029336	DR 22X4,5 C55AF02FR1.5/16 10REC TATU		20	24	28	36	40	42
15.	0602029421	DR 22 X 4,50 C64AF02FR1.5/16 10R		20	24	28	36	40	42
16	0601029417	DL 22 X 4,50 C64AF02FR1.5/16		20	24	28	36	40	42
16.	0601029422	DL 22 X 4,50 C64AF02FR1.5/16		20	24	28	36	40	42

Item	Code	Description	See page	20	24	28	36	40	42
17	0601027304	DL 20 X 4,50 C57AF02FR1.5/16		20	24	28	36	40	42
17.	0601027304	DL 20 X 4,50 C57AF02FR1.5/16		20	24	28	36	40	42
17..	0601027301	DL 20 X 3,50 C57AF02FR1.5/16		20	24	28	36	40	42



Item	Code	Description	See page	QT
01	0521050841	AGRICULTURAL BEARING DMO 182 X 1.1/4	10	01
02	0502012854	BEARING SUPPORT 182/192,5		01
03	0501011541	5/8 UNC X 3 CS G.5 ZN1K28066 BOLT		02
04	0503010027	5/8 SPRING WASHER		02
05	0503010013	5/8 UNC G.5 ZN HEX NUT		02
06	0503011334	3/8 UNC X 3/4 CS G.5 ZN BOLT		04
07	0503010025	3/8" SPRING WASHER		04
08	0581014143	SWIVEL OIL BATH BEARING WEAR PLATE		01



Item	Code	Description	See page	QT
01	0502012839	BEARING HOUSING 182/192,5		01
02	0502040060	AXLE CM/DM 182/192,5 SKF 32210		01
03	0503010006	32210 ROLLER BEARING		02
04	0502010541	SEAL HOLDER		02
05	0503030026	SEAL LP JB-253		02
06	0502020424	HOUSING CAP 182/192,225		01
07	0503030013	4.4" X 3.5" X 0.004" JOINT		02
08	0503030684	4.4" X 3.5" X 0.004" JOINT		01
09	0503010134	3/8" X 1" BOLT		04
10	0502010073	OUTER FLANGE		01
11	0502010074	INNER FLANGE		01
12	0503010856	OIL PLUG R 3/8 BSPT		02



civemasa

Technical Publications | Elaboration and Revision
LUIZ CANDIDO

www.civemasa.com.br

