

**DISK HARROWS**

**GDL 20/24/28/36/40/42D**  
**GDL 20/24/28/36/40/42D**

**Code:** 0501093988  
**Series:** S-0724  
**Revision:** 00  
**Revision Date:** SEPTEMBER/2024

**PARTS**  
**CATALOGUE**

***CIVEMASA***




# PRODUCTS

Code	Working Width	Description
0121470099		GDL 20 X 22 X 4,5 MT DMO E 1.1/4 S-0724
0121470100		GDL 24 X 22 X 4,5 MT DMO E 1.1/4 S-0724
0121470101		GDL 28 X 22 X 4,5 MT DMO E 1.1/4 S-0724
0121470102		GDL 36 X 22 X 4,5 MT DMO E 1.1/4 S-0724
0121470103		GDL 40 X 22 X 4,5 MT DMO E 1.1/4 S-0724
0121470064		GDL 42 X 22 X 4,5 MT DMO E 1.1/4 S-0724

## ATTENTION: IMPORTANT

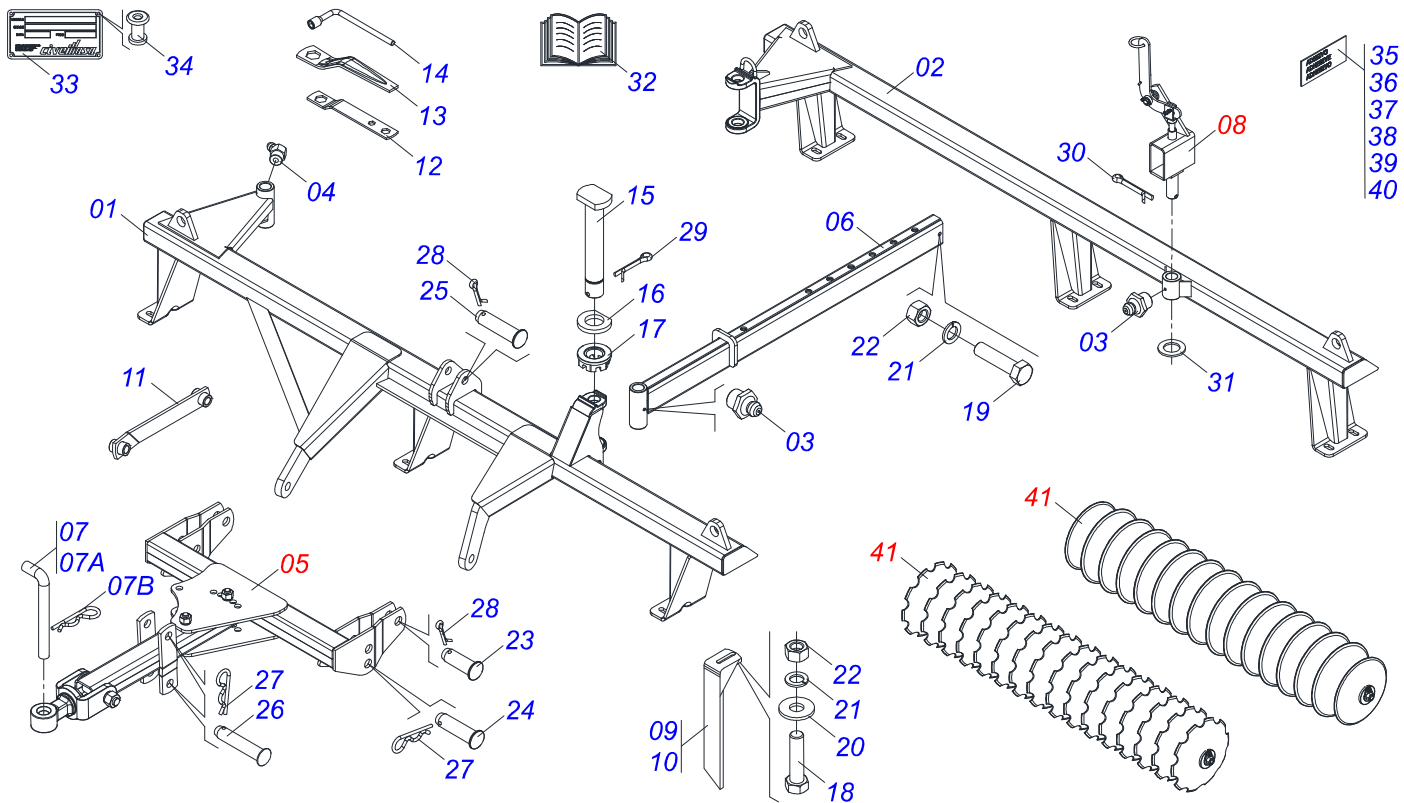
CIVEMASA reserves the right to improve and/or modify the technical features of its products, without obligation to do the same with those products already sold and without prior knowledge of the dealer or the customer. The photos are only illustrative.





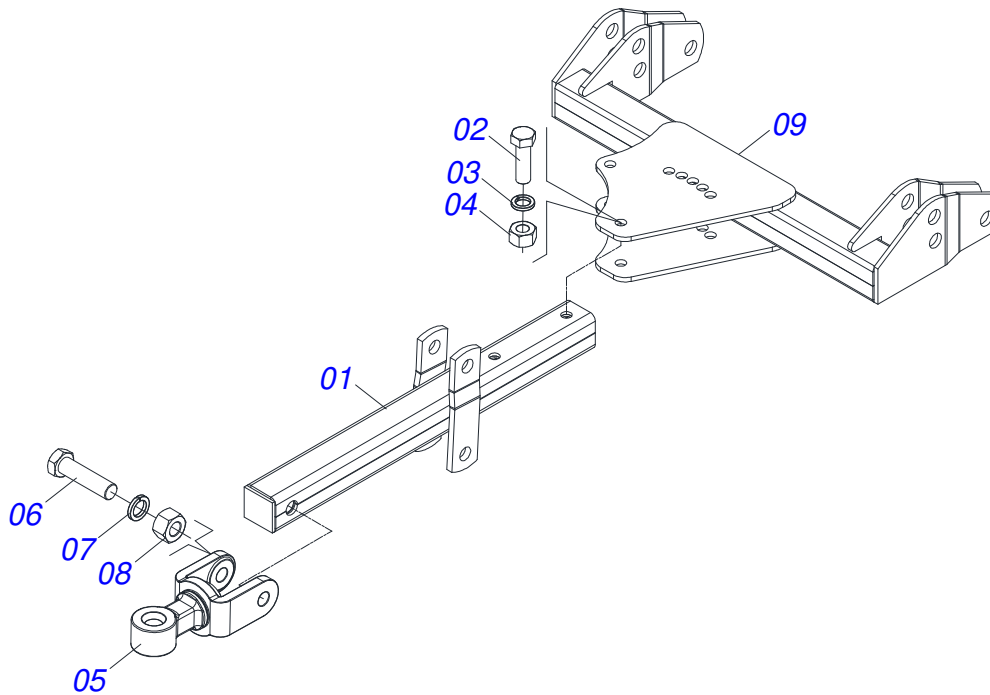
# INDEX

0909097373	FRAME ASSY	.....	1
0531040840	DRAWBAR ASSEMBLY	.....	2
0501043278	ADJUSTMENT ASSY	.....	3
0909097375	ASSY DISC GANG	.....	4
0521047188	182 X 1.1/4 DMO BEARING W/PROTECTION SUPPORT	.....	5
0521050841	AGRICULTURAL BEARING DMO 182 X 1.1/4	.....	6

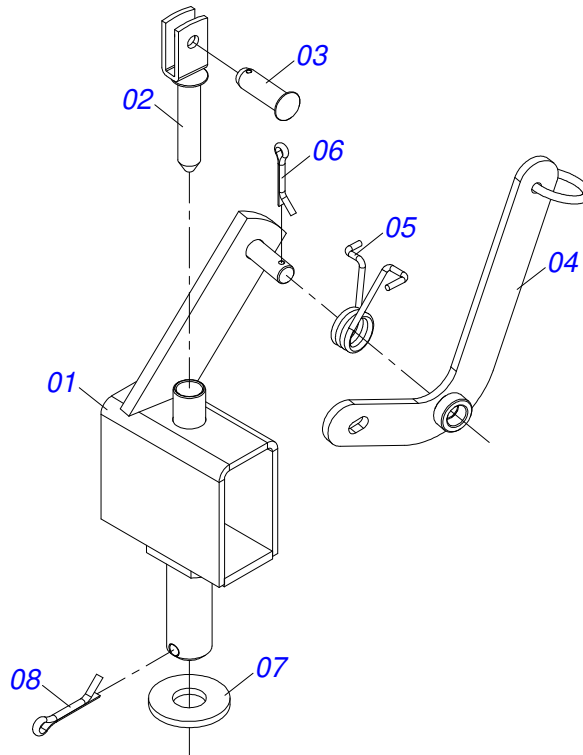


Item	Code	Description	See page	20	24	28	36	40	42
01	0531069253	FRONT FRAME - 20D		01	00	00	00	00	00
01.	0531069270	FRONT FRAME - 24D		00	01	00	00	00	00
01..	0531069262	FRONT FRAME - 28D		00	00	01	00	00	00
01...	0531069275	FRONT FRAME - 36D		00	00	00	01	00	00
01....	0531069285	FRONT FRAME - 40D		00	00	00	00	01	00
01.....	0531069299	FRONT FRAME - 42D		00	00	00	00	00	01
02	0531069255	REAR FRAME - 20D		01	00	00	00	00	00
02.	0531069272	REAR FRAME - 24D		00	01	00	00	00	00
02..	0531069264	REAR FRAME - 28D		00	00	01	00	00	00
02...	0531069277	REAR FRAME - 36D		00	00	00	01	00	00
02....	0531069287	REAR FRAME - 40D		00	00	00	00	01	00
02.....	0531069297	REAR FRAME - 42D		00	00	00	00	00	01
03	0503010002	1800 GREASE FITTING		02	02	02	02	02	02
04	0503010003	1845 GREASE FITTING		01	01	01	01	01	01
05	0531040840	DRAWBAR ASSEMBLY	2	01	01	01	01	01	01
06	0531069273	ADJUSTMENT BAR		01	01	00	00	00	00
06.	0531063468	ADJUSTMENT BAR		00	00	01	01	00	00
06..	0531069283	ADJUSTMENT BAR		00	00	00	00	01	01
07	0501040343	HITCH AXIS ASSY		01	01	01	01	01	01
07A	0521010453	JOINT AXIS		01	01	01	01	01	01
07B	0503031035	HITCH PIN CLIP		01	01	01	01	01	01
08	0501043278	ADJUSTMENT ASSY	3	01	01	01	01	01	01
09	0501063963	FRONT SCRAPER		07	08	10	13	14	15
10	0501063962	REAR SCRAPER		07	08	10	13	14	15
11	0531061940	SIDE SUPPORT		01	01	01	01	01	01
12	0511018451	5/8" X 3/4" X 1" UNIVERSAL		01	01	01	01	01	01
13	0501010198	1-1/4" CABLE FLAT WRENCH		02	02	02	02	02	02
14	0501068273	5/8" WRENCH		01	01	01	01	01	01
15	0531019497	1.5" X 9.2" ARTICULATED AXIS		02	02	02	02	02	02
16	0531019540	FLAT WASHER		02	02	02	02	02	02
17	0501011301	1.1/2" UNC 6FPP 2.5/16" NUT		02	02	02	02	02	02
18	0503011082	C1/2" X 1.3/4" SCREW		28	32	40	52	56	60

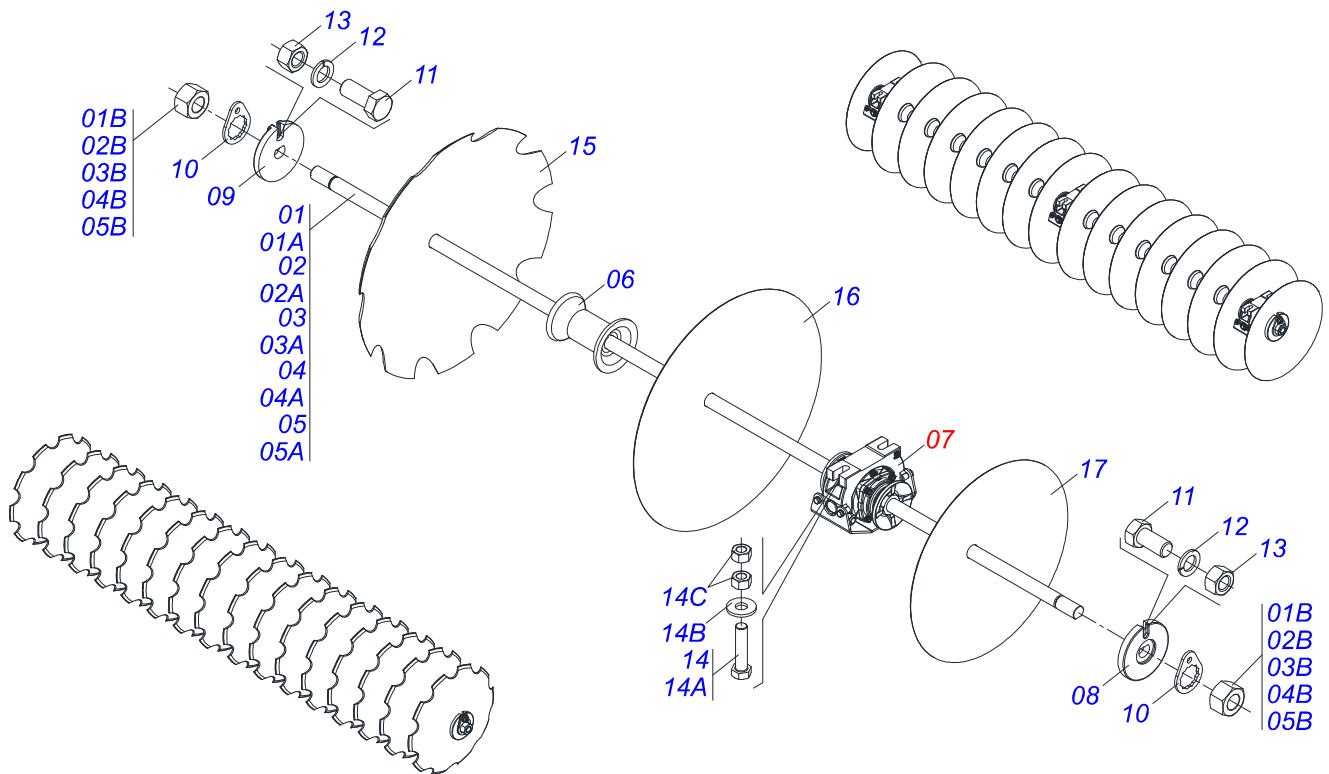
Item	Code	Description	See page	20	24	28	36	40	42
19	0503010741	1/2" X 2-3/4" BOLT		01	01	01	01	01	01
20	0511017302	FLAT WASHER 13,50 X 32,50 X 3,0 ZN		28	32	40	52	56	60
21	0503010019	1/2" SPRING WASHER		29	33	41	53	57	61
22	0503010060	1/2 UNC G.5 ZN HEX NUT		29	33	41	53	57	61
23	0521010592	1.1" X 3.1" COUPLING SHAFT		02	02	02	02	02	02
24	0521010593	1.1" X 3.9" COUPLING SHAFT		02	02	02	02	02	02
25	0521010579	COUPLING SHAFT		01	01	01	01	01	01
26	0521010581	0.9" X 4.9" COUPLING SHAFT		02	02	02	02	02	02
27	0503031035	HITCH PIN CLIP		04	04	04	04	04	04
28	0503010571	1/4" X 1.1/2" SPLIT PIN		03	03	03	03	03	03
29	0503010010	1/4" X 2.1/2" SPLIT PIN		02	02	02	02	02	02
30	0503010073	3/8" X 3.1/2" SPLIT PIN		01	01	01	01	01	01
31	0501012916	FLAT WASHER 40 X 66 X 4,75 ZN		01	01	01	01	01	01
32	0501030439	BAG WITH INSTRUCTION MANUAL		01	01	01	01	01	01
33	0503034004	ALUMINUM IDENTIFICATION DECAL		01	01	01	01	01	01
34	0503010001	RIVET 3,2 X 5,5		04	04	04	04	04	04
35	0503033644	GDL EMBLEM		01	01	01	01	01	01
36	0503033404	CIVEMASA BADGE		01	01	01	01	01	01
37	0503031428	ATTENTION READ MANUAL DECAL		01	01	01	01	01	01
38	0503033243	EMBLEM LOGO CIVEMASA 60 X 240		01	01	01	01	01	01
39	0503034438	ADHESIVE LABEL		01	01	01	01	01	01
40	0503031827	DAILY LUBRICATION AND RETIGHTENING DECAL		01	01	01	01	01	01
41		ASSY DISC GANG							



Item	Code	Description	See page	QT
01	0501060670	TRACTION BAR		01
02	0503011084	3/4" X 5" BOLT		02
03	0503011442	3/4" SPRING WASHER		02
04	0503010014	3/4" ZN G.5 (HEAVY) UNC HEX NUT		02
05	0521061775	TRACTOR HITCH		01
06	0501010060	1" X 6-1/2" BOLT		01
07	0503011438	SPRING WASHER		01
08	0501010059	1.5/8 NUT		01
09	0531061946	HITCH BAR		01



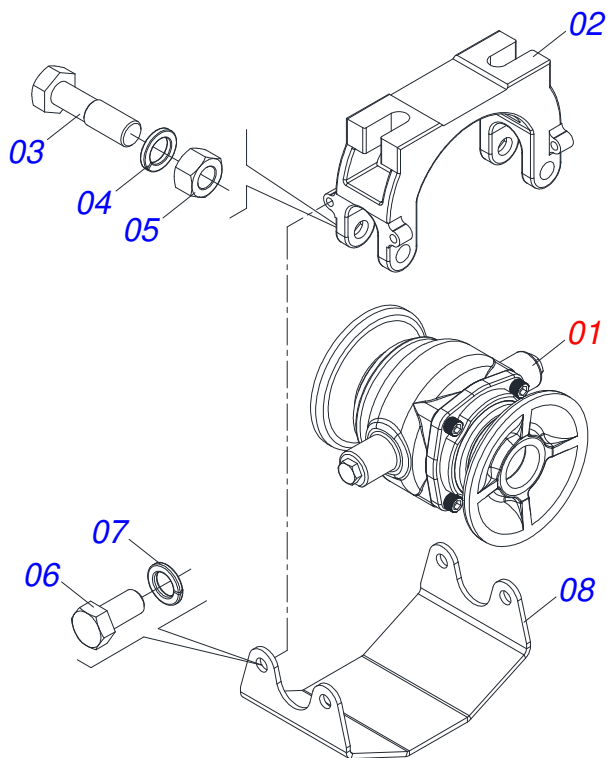
Item	Code	Description	See page	QT
01	0501063302	ADJUSTMENT		01
02	0501063078	ADJUSTMENT LOCK		01
03	0521010624	0.4" X 1.5" COUPLING SHAFT		01
04	0501068981	ADJUSTMENT LEVER		01
05	0503030025	1.4" X 0.2" TORSION SPRING		01
06	0503010071	3/16" X 1" SPLIT PIN		02
07	0501012916	FLAT WASHER 40 X 66 X 4,75 ZN		01
08	0503010073	3/8" X 3.1/2" SPLIT PIN		01



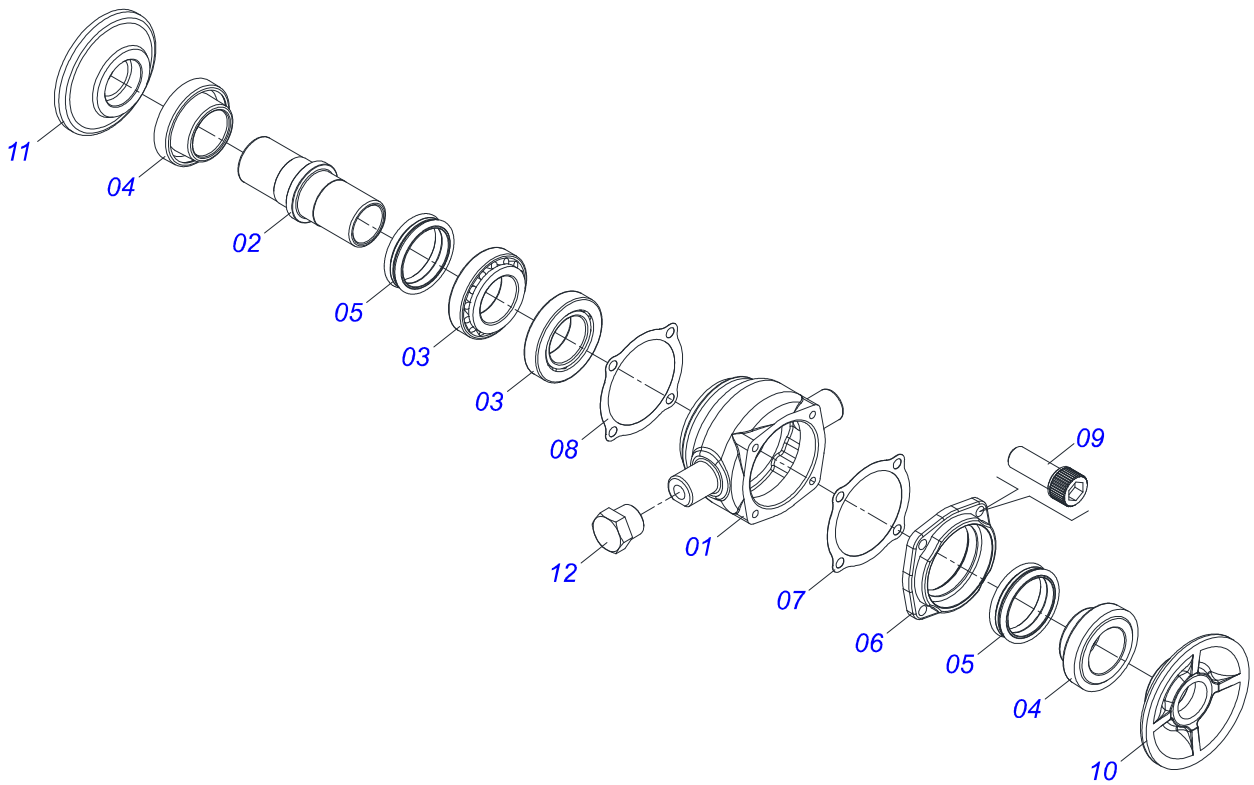
Item	Code	Description	See page	20	24	28	36	40	42
01	0501040694	1-1/4" X 66" AXLE WITH NUTS		02	00	00	00	00	00
01A	0501010439	1-1/4" X 66" AXLE		01	00	00	00	00	00
01B	0501010087	1.1/4" NUT		02	00	00	00	00	00
02	0501040253	1-1/4" X 80" AXLE WITH NUTS		00	02	00	00	00	02
02A	0501010440	1-1/4" X 80" AXLE		00	01	00	00	00	01
02B	0501010087	1.1/4" NUT		00	02	00	00	00	02
03	0501041160	1-1/4" X 93.5" AXLE WITH NUTS		00	00	02	00	00	00
03A	0501012749	1-1/4" X 93.5" AXLE		00	00	01	00	00	00
03B	0501010087	1.1/4" NUT		00	00	02	00	00	00
04	0501040696	1-1/4" X 59" AXLE WITH NUTS		00	00	00	04	02	02
04A	0501010438	1-1/4" X 59" AXLE		00	00	00	01	01	01
04B	0501010087	1.1/4" NUT		00	00	00	02	02	02
05	0501042947	1-1/4" X 74" AXLE WITH NUTS		00	00	00	00	02	00
05A	0501017377	1-1/4" X 74" AXLE		00	00	00	00	01	00
05B	0501010087	1.1/4" NUT		00	00	00	00	02	00
06	0502020068	6.57" SPACER		14	16	20	24	26	28
07	0521047188	182 X 1.1/4 DMO BEARING W/PROTECTION 5 SUPPORT		04	06	06	08	10	10
08	0502010834	1-1/4" INNER AXLE WASHER		02	02	02	04	04	04
09	0502010835	1-1/4" EXTERNAL AXLE WASHER		02	02	02	04	04	04
10	0501010455	1.1/4" NUT LOCK		04	04	04	08	08	08
11	0503010395	1/2" X 1-1/4" BOLT		04	04	04	08	08	08
12	0503010019	1/2" SPRING WASHER		04	04	04	08	08	08
13	0503010060	1/2 UNC G.5 ZN HEX NUT		04	04	04	08	08	08
14	0521059224	BOLT ASSEMBLY 5/8 UNC X 2.3/4		08	12	12	16	20	20
14A	0501013233	5/8" X 2-3/4" BOLT		01	01	01	01	01	01
14B	0501012140	FLAT WASHER 16,50 X 40 X 4,00 ZN		01	01	01	01	01	01
14C	0503010013	5/8 UNC G.5 ZN HEX NUT		02	02	02	02	02	02
15	0602029336	DR 22X4,5 C55AF02FR1.5/16 10REC TATU		20	24	28	36	40	42
15.	0602029421	DR 22 X 4,50 C64AF02FR1.5/16 10R		20	24	28	36	40	42
16	0601029417	DL 22 X 4,50 C64AF02FR1.5/16		20	24	28	36	40	42
16.	0601029422	DL 22 X 4,50 C64AF02FR1.5/16		20	24	28	36	40	42



<b>Item</b>	<b>Code</b>	<b>Description</b>	<b>See page</b>	<b>20</b>	<b>24</b>	<b>28</b>	<b>36</b>	<b>40</b>	<b>42</b>
17	0601027304	DL 20 X 4,50 C57AF02FR1.5/16		20	24	28	36	40	42
17.	0601027301	DL 20 X 3,50 C57AF02FR1.5/16		20	24	28	36	40	42



Item	Code	Description	See page	QT
01	0521050841	AGRICULTURAL BEARING DMO 182 X 1.1/4	6	01
02	0502012854	BEARING SUPPORT 182/192,5		01
03	0501011541	5/8 UNC X 3 CS G.5 ZN1K28066 BOLT		02
04	0503010027	5/8 SPRING WASHER		02
05	0503010013	5/8 UNC G.5 ZN HEX NUT		02
06	0503011334	3/8 UNC X 3/4 CS G.5 ZN BOLT		04
07	0503010025	3/8" SPRING WASHER		04
08	0581014143	SWIVEL OIL BATH BEARING WEAR PLATE		01



Item	Code	Description	See page	QT
01	0502012839	BEARING HOUSING 182/192,5		01
02	0502040060	AXLE CM/DM 182/192,5 SKF 32210		01
03	0503010006	32210 ROLLER BEARING		02
04	0502010541	SEAL HOLDER		02
05	0503030026	SEAL LP JB-253		02
06	0502020424	HOUSING CAP 182/192,225		01
07	0503030013	4.4" X 3.5" X 0.004" JOINT		02
08	0503030684	4.4" X 3.5" X 0.004" JOINT		01
09	0503010134	3/8" X 1" BOLT		04
10	0502010073	OUTER FLANGE		01
11	0502010074	INNER FLANGE		01
12	0503010856	OIL PLUG R 3/8 BSPT		02





***civemasa***

**Technical Publications | Elaboration and Revision**  
LUIZ CANDIDO

[www.civemasa.com.br](http://www.civemasa.com.br)

