

DISK HARROWS

GPCR 20D - AXLE 2.1/8"
GPCR 20D - EIXO 2.1/8"

Code: 0501093960
Series: S-0412
Revision: 00
Revision Date: JULY/2024

PARTS
CATALOGUE


CIVEMASA

PRODUCTS

Code	Working Width	Description
0121010138		GPCR 20X32X9,00 DR DM RS E 2.1/8 PN400/60 S0412

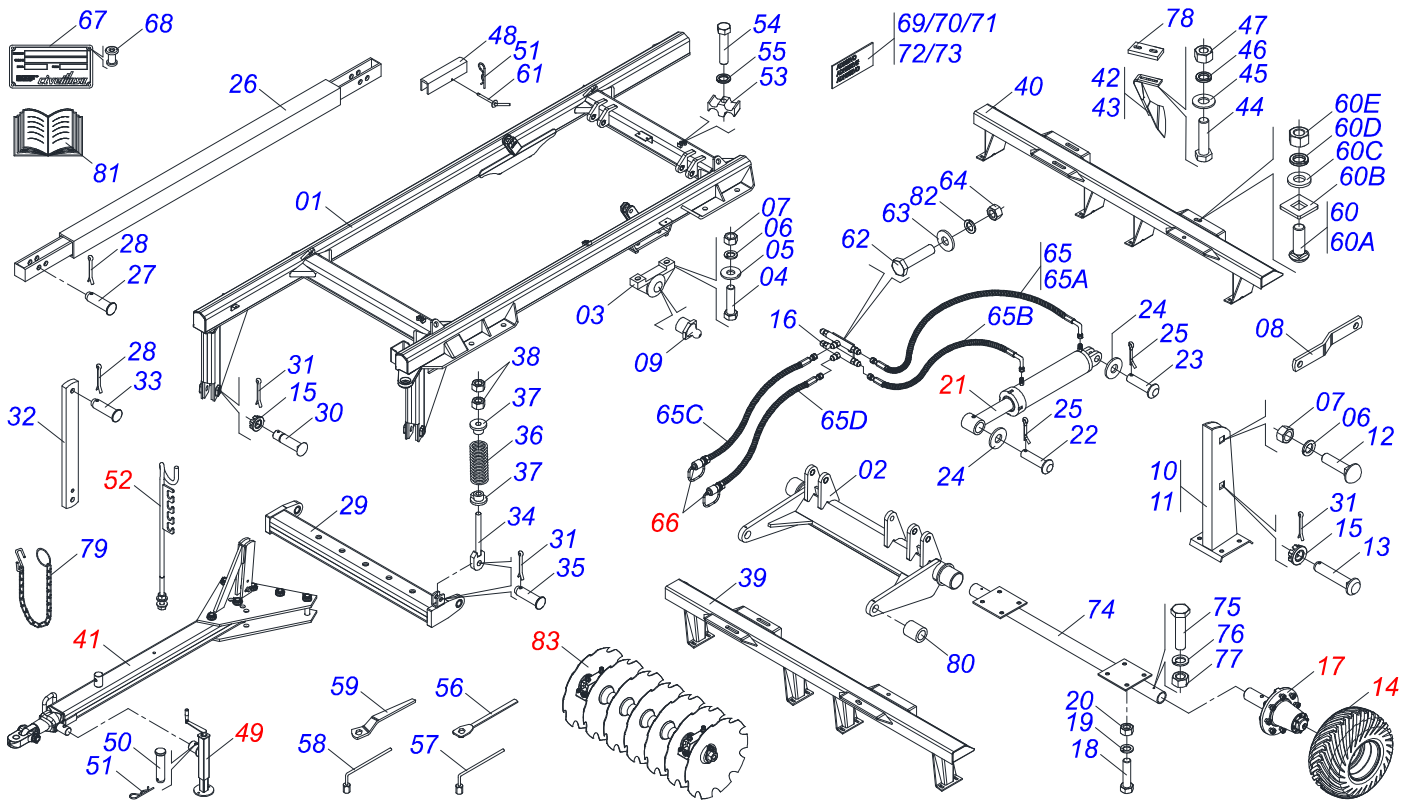
ATTENTION: IMPORTANT

CIVEMASA reserves the right to improve and/or modify the technical features of its products, without obligation to do the same with those products already sold and without prior knowledge of the dealer or the customer. The photos are only illustrative.



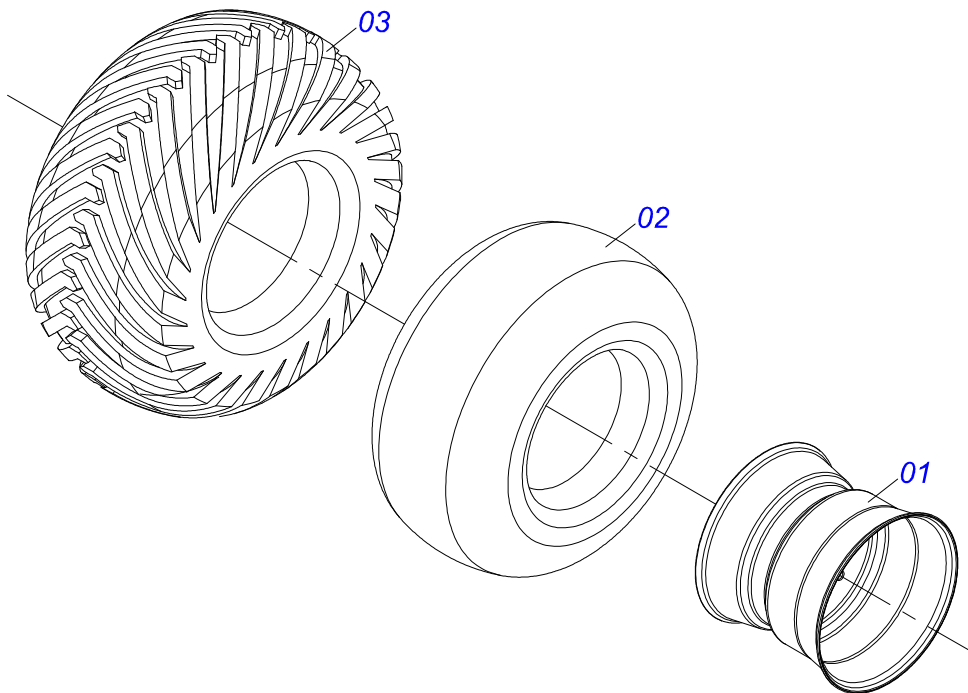
INDEX

0909097306	FULL FRAME	1
0503060102	WHEEL AND TIRE 400/60 - 14L RIGHT	2
0501051885	CARRYING-WHEELS	3
0511059181	HYDRAULIC CYLINDER 50,80 X 101,60 X 515 X 248	4
0511041570	DRAWBAR ASSY 3"	5
0511048088	DRAWBAR JACK	6
0501040257	3/4" X 38" HOSE SUPPORT ASSY	7
0501053834	MALE QUICK COUPLER	8
0909097307	GANG DISC	9
0501046926	BEARING	10

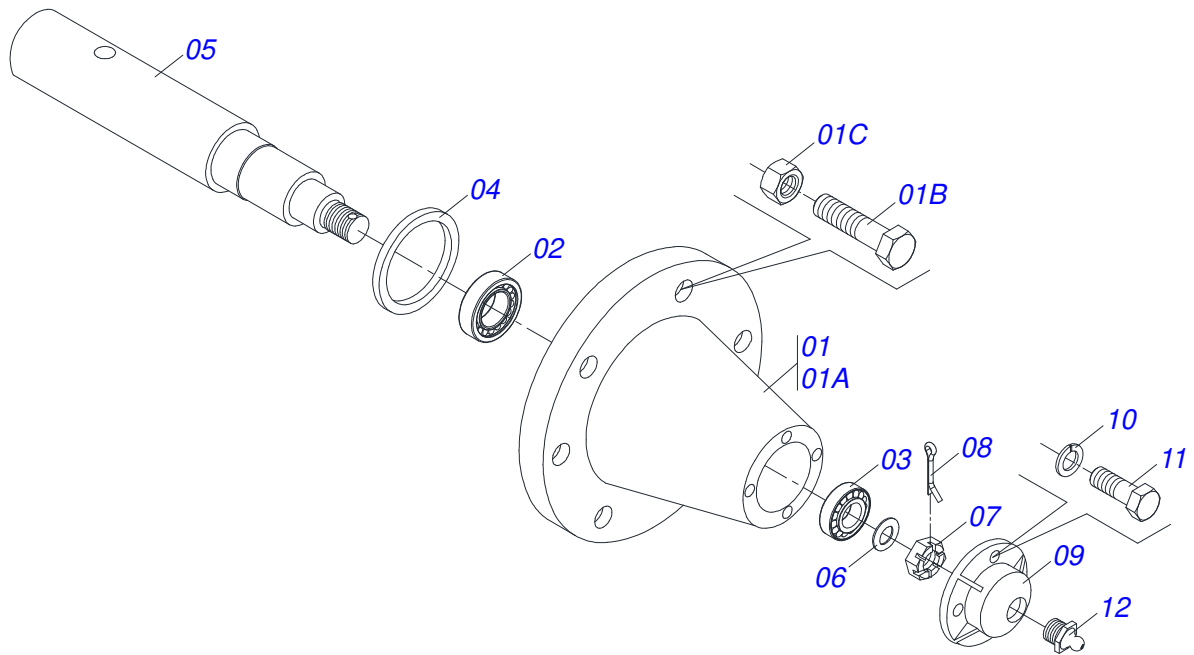


Item	Code	Description	See page	QT
01	0521063924	FRAME		01
02	0501067244	WHEELS		01
03	0502010972	ARTICULATION BEARING		02
04	0503011432	BOLT		06
05	0501010065	1" SPRING WASHER		04
06	0503011438	SPRING WASHER		12
07	0501010059	1.5/8 NUT		08
08	0501110404	SUPPORT BAR		02
09	0503010002	1800 GREASE FITTING		04
10	0501068260	RIGHT SUSPENSION TOWER		01
11	0501068261	LEFT SUSPENSION TOWER		01
12	0511017974	1" U BOLT SUSPENSION TOWER		02
13	0511018006	1-1/2 X 4.13" U BOLT OF SUSP TOWER		02
14	0503060102	WHEEL AND TIRE 400/60 - 14L RIGHT	2	02
15	0501011301	1.1/2" UNC 6FPP 2.5/16" NUT		04
16	0501068706	DOUBLE CONNECTION		01
17	0501051885	CARRYING-WHEELS	3	02
18	0501010125	3/4" X 2-1/2" BOLT		08
19	0503010023	3/4" SPRING WASHER		08
20	0503010014	3/4" ZN G.5 (HEAVY) UNC HEX NUT		08
21	0511059181	HYDRAULIC CYLINDER 50,80 X 101,60 X 515 X 248	4	02
22	0521010547	1.2" X 6.5" COUPLING SHAFT		02
23	0511010174	1.2" X 5.9" COUPLING SHAFT		02
24	0501017779	FLAT WASHER 32 X 60 X 4,75		04
25	0503010523	1/4 X 2 SPLIT PIN		06
26	0501067243	STABILIZER BAR		01
27	0521010575	C0.9" X 3.3" COUPLING SHAFT		02
28	0503010571	1/4" X 1.1/2" SPLIT PIN		03
29	0501067241	OFFSET BAR		01
30	0521012052	1.5" X 6.7" PIVOT SHAFT		02
31	0503010534	3/8" X 2.1/2" SPLIT PIN		02
32	0511016121	STABILIZER BAR TOWER		01

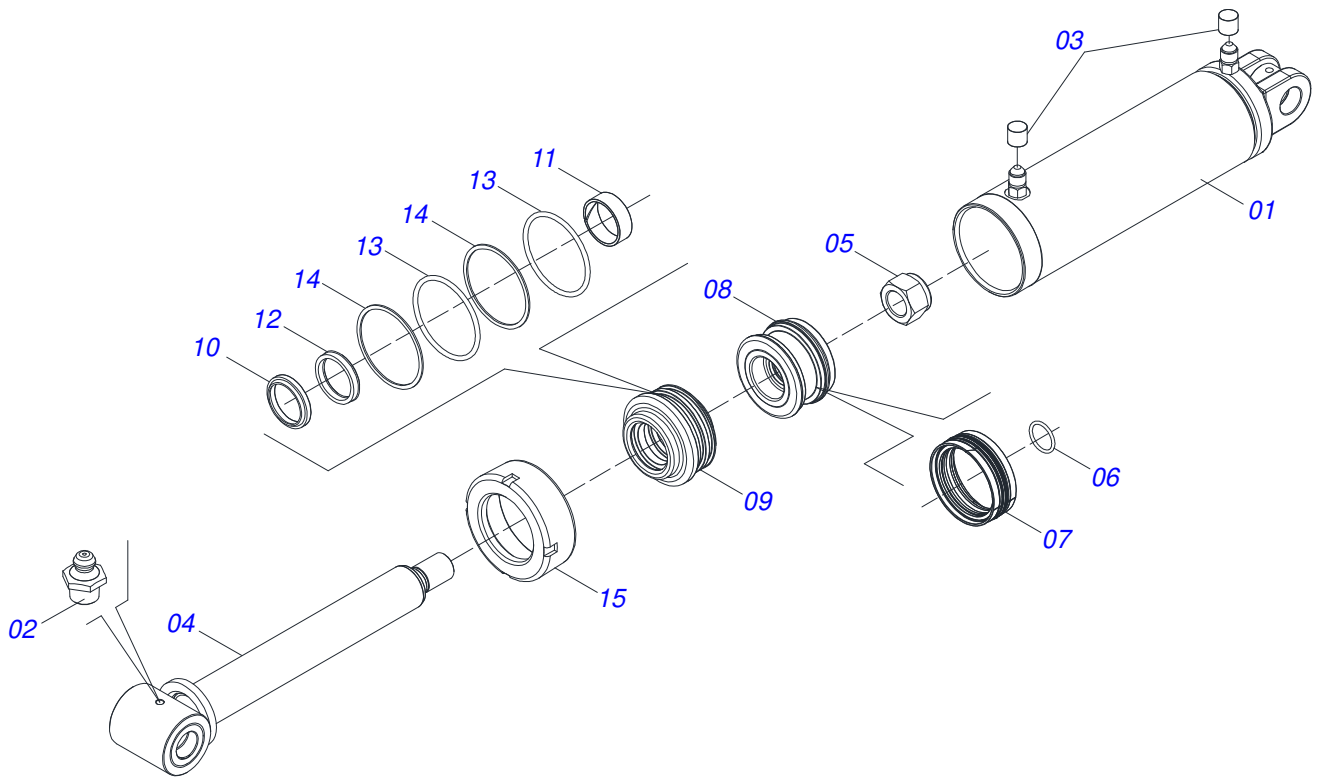
Item	Code	Description	See page	QT
33	0521010576	0.9" X 3.7" COUPLING SHAFT		01
34	0501066362	SPRING ROD		01
35	0521010592	1.1" X 3.1" COUPLING SHAFT		01
36	0503030441	12.7" X 5.7" X 0.5"SPRING		01
37	0502020394	SPRING SUPPORT		02
38	0501010087	1.1/4" NUT		02
39	0521064611	FRONT FRAME - 20		01
40	0521064612	REAR FRAME - 20		01
41	0511041570	DRAWBAR ASSY 3"	5	01
42	0501060423	FRONT SCRAPER		10
43	0501060424	REAR SCRAPER		10
44	0503010233	5/8 UNC X 2.1/2 CS G.5 ZN BOLT		20
45	0501012140	FLAT WASHER 16,50 X 40 X 4,00 ZN		20
46	0503010027	5/8 SPRING WASHER		20
47	0503010013	5/8 UNC G.5 ZN HEX NUT		20
48	0501066386	TRANSPORT LOCK 9.54"		02
49	0511048088	DRAWBAR JACK	6	01
50	0561014251	COUPLING SHAFT		01
51	0503030168	HITCH PIN CLIP		03
52	0501040257	3/4" X 38" HOSE SUPPORT ASSY	7	01
53	0502010477	HOSE CLAMP		05
54	0503012555	7/16" UNC X 2" CS RT G.7 ZN SCREW		05
55	0503010180	7/16" SPRING WASHER		05
56	0501316941	KEY 2.1/8 AND 2.1/2		02
57	0501061045	1" WRENCH CYLINDRICAL		01
58	0503016137	1-1/4" WRENCH CABLE CYLINDER		01
59	0501011432	1-1/2" AND 1-5/8 GANG BOLT WRENCH		01
60	0501041102	1-1/4" X 3-3/4" ASSY BOLT		08
60A	0501015348	1-1/4" X 3-3/4" BOLT		01
60B	0501010953	1-1/4" SQUARE WASHER		01
60C	0531010713	FLAT WASHER		01
60D	0503010070	SPRING WASHER		01
60E	0501010087	1.1/4" NUT		01
61	0501068994	8,30 X 78 LOCK PIN		02
62	0503010237	3/8" X 1" BOLT		02
63	0501010984	10,50 X 27 X 3,00 FLAT WASHER		02
64	0503010026	3/8" NUT		02
65	0501051043	HOSE ASSY		01
65A	0501080054	3/8" X 17" TR-TC HOSE		02
65B	0501080413	3/8" X 27" TR-TC HOSE		02
65C	0501080458	3/8" X 315" TC-TM HOSE		01
65D	0501080459	3/8" X 322" TC-TM HOSE		01
66	0501053834	MALE QUICK COUPLER	8	02
67	0503034004	ALUMINUM IDENTIFICATION DECAL		01
68	0503010001	RIVET 3,2 X 5,5		04
69	0503032524	BADGE		02
70	0503033246	CIVEMASA LOGO DECAL		01
71	0503031428	ATTENTION READ MANUAL DECAL		01
72	0503031827	DAILY LUBRICATION AND RETIGHTENING DECAL		01
73	0503033647	APPROVED DECAL		01
74	0511069623	WHEEL SISTEM FIXER		01
75	0503010706	BOLT 1/2 UNC X 4.1/2 C S G.5 ZN		02
76	0503010019	1/2" SPRING WASHER		02
77	0503010060	1/2 UNC G.5 ZN HEX NUT		02
78	0501010299	SCRAPER LOCK		20
79	0503013150	1300 X 3/8" CHAIN		01
80	0581010270	48 X 59.30 X 76 SLEEVE		01
81	0511033060	BAG WITH INSTRUCTION MANUAL		01
82	0503010025	3/8" SPRING WASHER		02
83		GANG DISC	9	



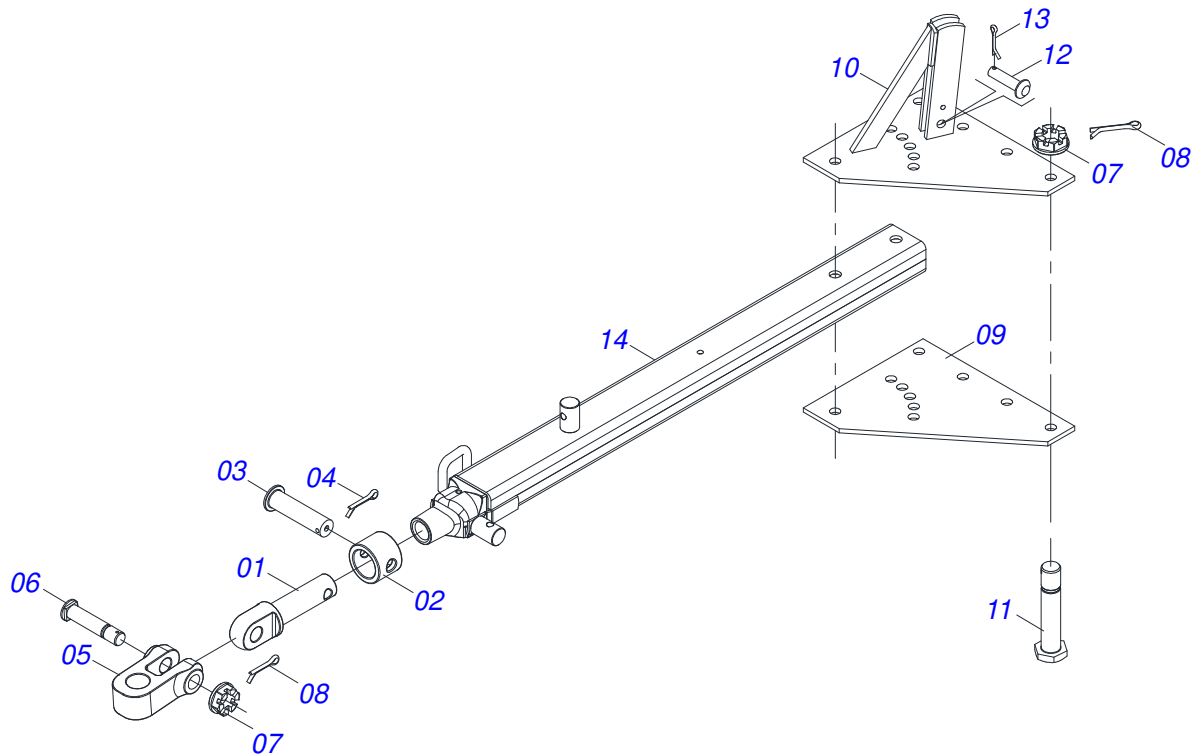
Item	Code	Description	See page	QT
01	0501069483	WHEEL 13 X 15,5 - 21FT		01
02	0503012112	400/60 - 15.5 TR 15 INNER TIRE		01
03	0503013119	CANVAS TIRE 400/60-15,5-T404-14L TRELEBORG		01



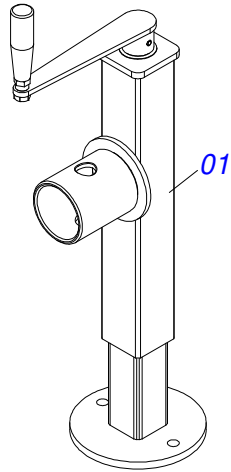
Item	Code	Description	See page	QT
01	0501110738	CARRYING WHEEL HUB 21FT		01
01A	0502012260	TRANSPORT CARRYING-WHEEL HUB		01
01B	0503010064	5/8 UNF CONIC NUT		08
01C	0501010186	WHEEL BOLT 5/8"UNF X 2.1/8CR		08
02	0503011156	2780/2720 IMP ROLLER BEARING		01
03	0503010008	3780/3720 ROLLER BEARING		01
04	0503013314	RETAINER 5166-GB 63,5 X 110 X 13 ARCA		01
05	0511012494	SPINDLE		01
06	0511012492	FLAT WASHER		01
07	0503030009	1" CASTLE NUT		01
08	0503010018	5/32" X 1-1/2" SPLIT PIN		01
09	0502020591	PROTECTION LID		01
10	0503011444	SPRING WASHER 5/16"		04
11	0503010358	5/16" X 5/8" BOLT		04
12	0503010002	1800 GREASE FITTING		01



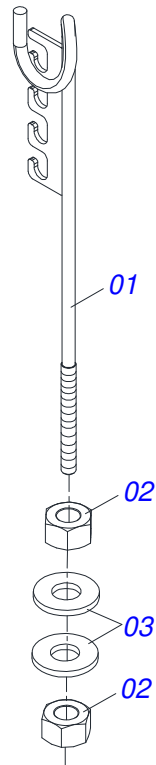
Item	Code	Description	See page	QT
01	0501067256	4" X 16" CYLINDER CASE		01
02	0503010002	1800 GREASE FITTING		02
03	0503030385	CYLINDER PLUG N-002		02
04	0521066345	PISTON ROD		01
05	0503010817	1.1/4" SELF LOCKING NUT		01
06	0503010345	2-218 N 3006-9B O-RING		01
07	0503015633	SELEMASTER SEALING		01
08	0502012842	50,80 X 101,60 PISTON		01
09	0581010678	50,80 X 101 RING SUPPORT		01
10	0503015636	SCRAPER SEAL		01
11	0503018025	RING GUIDE W2-2250-750		01
12	0503018026	GASKET 1870-2000-375 B POLYMAX		01
13	0503010338	2-342 N 3006-9B O-RING		02
14	0503011061	8-342 BACK-UP RING		02
15	0502012822	END CAP 4"		01



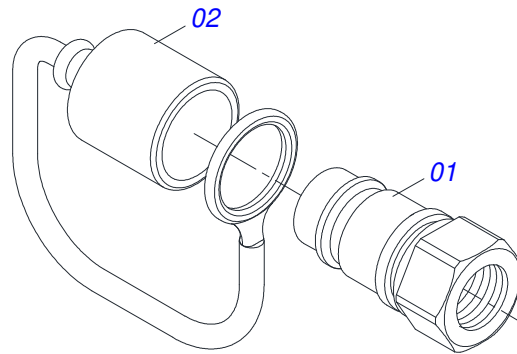
Item	Code	Description	See page	QT
01	0502040223	DRAWBOLT		01
02	0502040327	HITCH LOCK RING		01
03	0511014902	COUPLING SHAFT		01
04	0503010571	1/4" X 1.1/2" SPLIT PIN		01
05	1902040733	U COUPLING HOOK		01
06	0521012545	COUPLING SHAFT		01
07	0501011301	1.1/2" UNC 6FPP 2.5/16" NUT		07
08	0503010010	1/4" X 2.1/2" SPLIT PIN		07
09	0511016137	UPPER /LOWER PLATE		01
10	0501067250	UPPER PLATE WITH SUPPORT		01
11	0501016419	1-1/2" X 7.5" BOLT		06
12	0521010779	31.75 X 95 COUPLING SHAFT		01
13	0503010523	1/4 X 2 SPLIT PIN		01
14	0501069323	TRACTION BAR		01



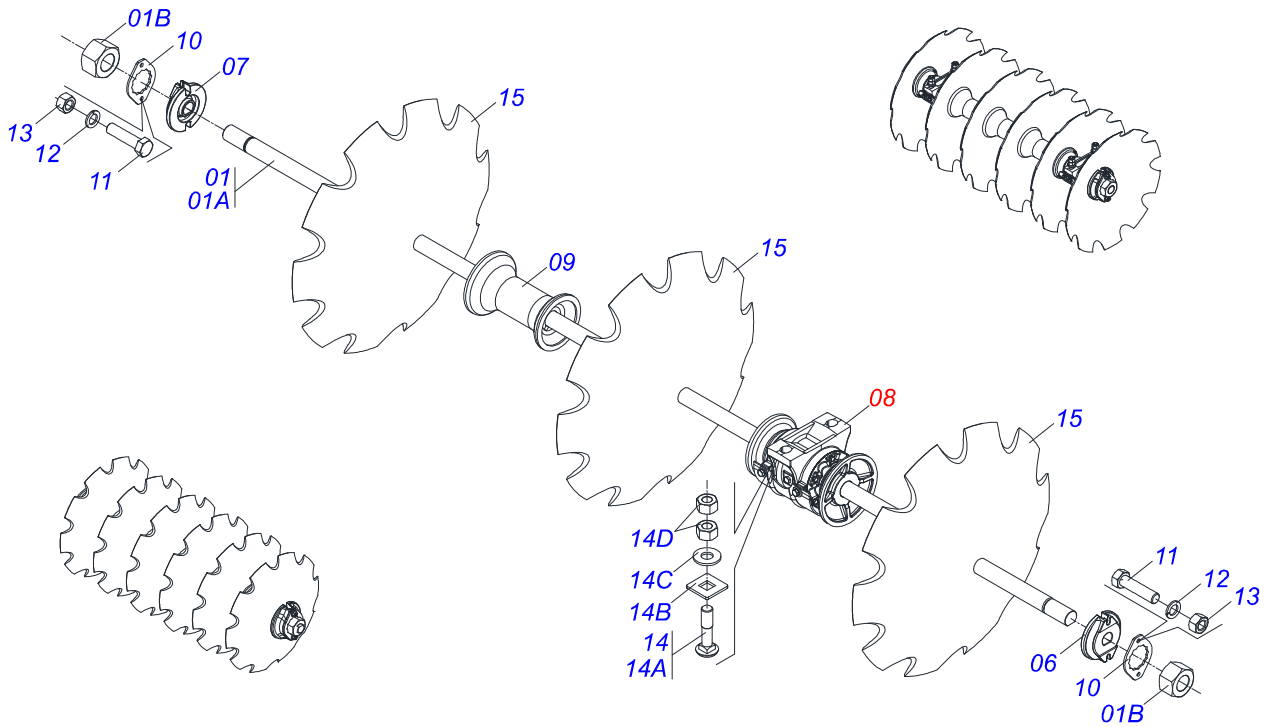
Item	Code	Description	See page	QT
01	0503062227	DRAWBAR JACK		01



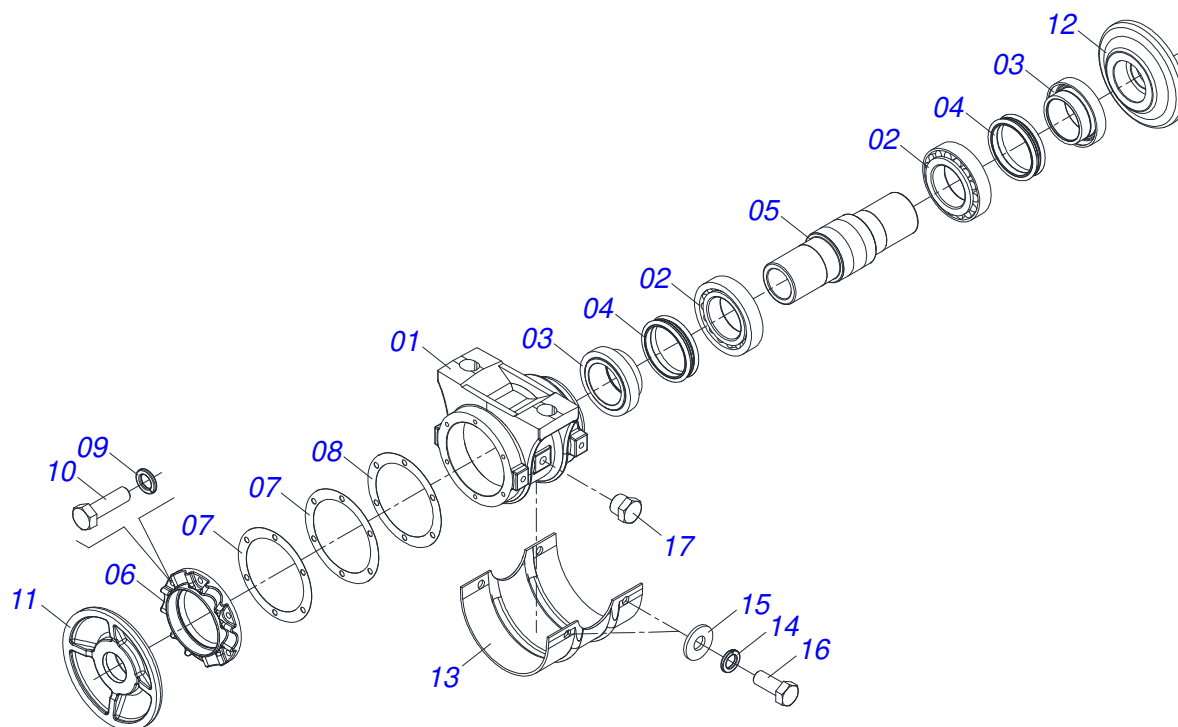
Item	Code	Description	See page	QT
01	0511067334	HOSE SUPPORT		01
02	0503010014	3/4" ZN G.5 (HEAVY) UNC HEX NUT		02
03	0501010322	20,50 X 46 X 4,00 ZN FLAT WASHER		02



Item	Code	Description	See page	QT
01	0503011627	MALE QUICK COUPLER AGR 1/2 NPT		01
02	0503011882	MALE QUICK COUPLER CAP		01



Item	Code	Description	See page	QT
01	0511047064	2-1/8" X 63" AXLE		04
01A	0551017147	2-1/8" X 63" AXLE		01
01B	0502040063	2-1/8" X 54 99 NUT		02
06	0502010594	2-1/8" EXTERNAL AXLE WASHER		04
07	0502010595	2-1/8" INNER AXLE WASHER		04
08	0501046926	BEARING	10	08
09	0502010643	13" 2-1/8" SPACER		08
10	0541010368	NUT LOCK		08
11	0503010232	5/8" X 1.3/4" BOLT		16
12	0503010027	5/8 SPRING WASHER		16
13	0503010013	5/8 UNC G.5 ZN HEX NUT		16
14	0501042139	1" X 4.3" ASSY BOLT		16
14A	0501010952	1" X 4.3" BOLT		01
14B	0501010951	1" SQUARE WASHER		01
14C	0501011445	FLAT WASHER		01
14D	0501010059	1.5/8 NUT		02
15	0602044001	DR 32 X 9,00 C115AF04FR2.3/16 10R		20



Item	Code	Description	See page	QT
01	0502010742	HOUSING DM		01
02	0503010117	32216 ROLLER BEARING		02
03	0502040123	MRO - 330 PORT RETAINER WITH BUSH		02
04	0503030028	JB-257 SEAL		02
05	0502040034	BEARING AXLE		01
06	0502010645	HOUSING CAP DM		01
07	0503030536	7.1" X 5.5" X 0.01" JOINT		02
08	0503030686	7.1" X 5.5" X 0.004" JOINT		01
09	0503011443	SPRING WASHER 3/8"		06
10	0503010751	C3/8" X 1.1/4" HEX BOLT G.5		06
11	0502040260	OUTER FLANGE		01
12	0502040261	INNER FLANGE		01
13	0511013169	PROTECTION COVER BEARING		01
14	0503010019	1/2" SPRING WASHER		04
15	0511017302	FLAT WASHER 13,50 X 32,50 X 3,0 ZN		04
16	0503010834	1/2 X 1 BOLT		04
17	0503010856	OIL PLUG R 3/8 BSPT		02



civemasa

Technical Publications | Elaboration and Revision
LUIZ CANDIDO

www.civemasa.com.br

