

**SUBSOILER PLOUGH**

**STRONDER 620 STANDARD  
STRONDER 620 STANDARD**

**Code:** 0501093958  
**Series:** S-0524  
**Revision:** 00  
**Revision Date:** JULY/2024

# **PARTS CATALOGUE**

***CIVEMASA***

A solid orange horizontal bar is positioned at the top left of the page, above the "PRODUCTS" heading.

# PRODUCTS

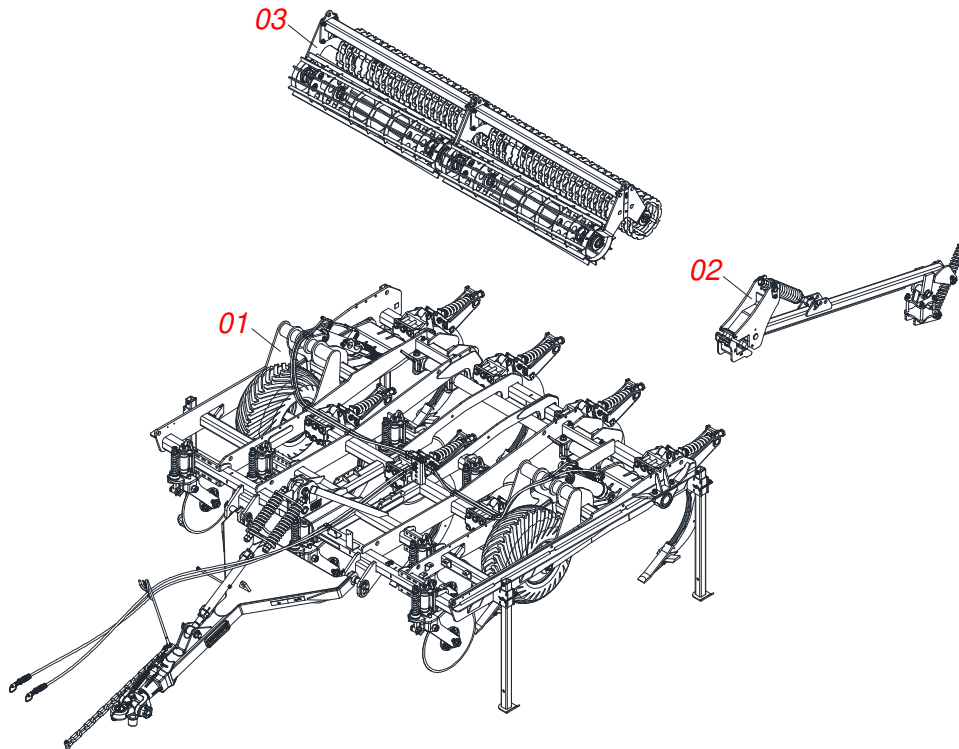
Code	Working Width	Description
0121910001		STRONDER 620 STANDARD 7H DC RDD ROD 400/60 S-0524
0121910002		STRONDER 620 STANDARD 7H DC ROD 400/60 S-0524

## ATTENTION: IMPORTANT

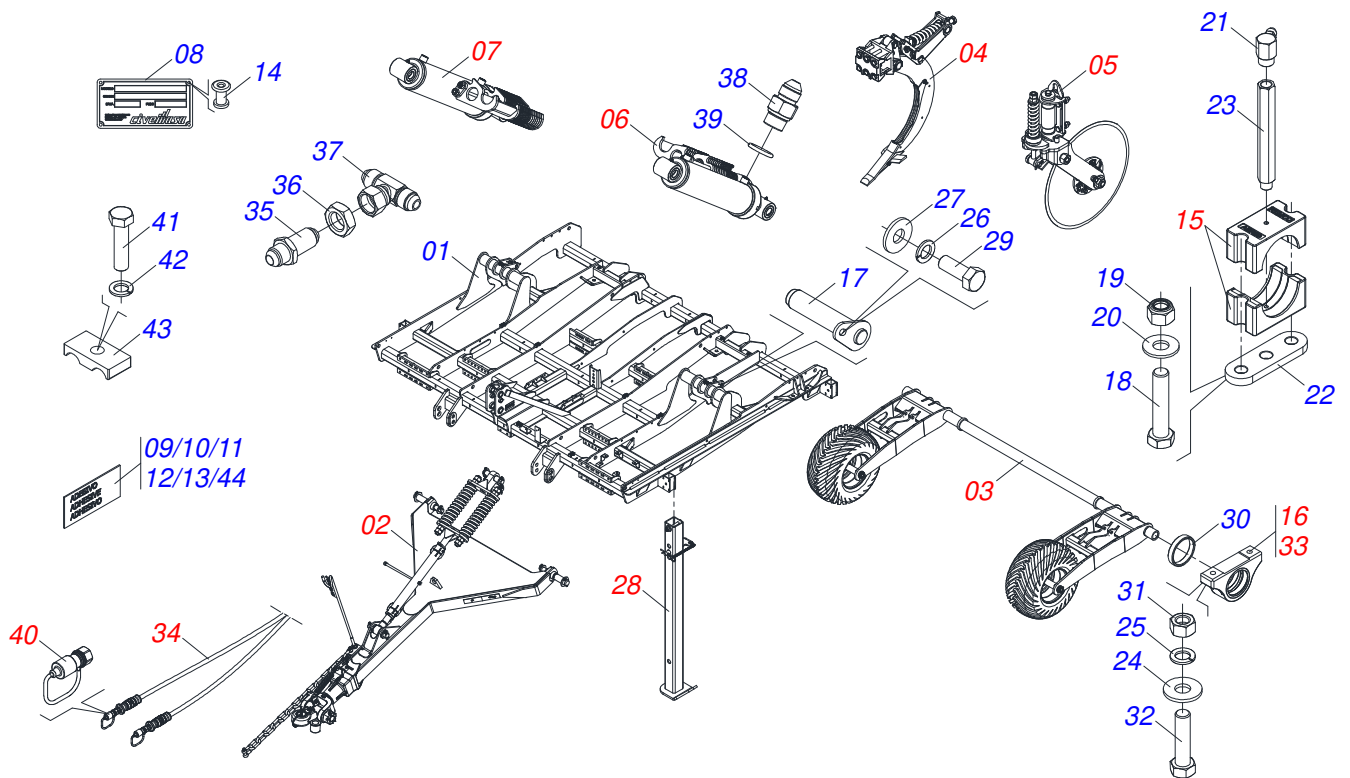
CIVEMASA reserves the right to improve and/or modify the technical features of its products, without obligation to do the same with those products already sold and without prior knowledge of the dealer or the customer. The photos are only illustrative.

# INDEX

0909097295	STRONDER 620 STANDARD - 7H	.....	1
0531045883	FRAME ASSY - 7H	.....	2
0541051866	DRAWBAR ASSY	.....	3
0541051761	EXTENDER SET ASSY	.....	4
0541051780	DRAWBAR ASSY	.....	5
0501040257	3/4" X 38" HOSE SUPPORT ASSY	.....	6
0531040171	HITCH ASSY	.....	7
0531045758	CARRYING-WHEEL WITH SHAFT ASSY	.....	8
0521052327	WHEEL WITHOUT TIRE	.....	9
0541054000	WHEEL WITH TIRE 400/60 X 15.5-16L RIGHT	.....	10
0541053999	WHEEL WITH TIRE 400/60 X 15.5-16L LEFT	.....	11
0541054154	SUBSOILING ROD WITHOUT CONDUCTOR	.....	12
0541050135	26" DISC BLADE ASSY	.....	13
0541050139	26" DISC BLADE WITH HUB	.....	14
0501057526	DISC HUB	.....	15
0531045786	RIGHT HYDRAULIC CYLINDER	.....	16
0531045757	LEFT HYDRAULIC CYLINDER	.....	17
0531054736	SEMI BEARING WITH NYLON SHIM	.....	18
0501110568	RIGHT PIVOT BEARING WITH SLEEVE	.....	19
0541050176	SUPPORT	.....	20
0531050051	0.7" X 4" SHAFT ASSY	.....	21
0501110563	LEFT PIVOT BEARING WITH SLEEVE	.....	22
0541054241	HOSE SET	.....	23
0501053834	MALE QUICK COUPLER	.....	24
0541050164	ROLLER ARM ASSY	.....	25
0541050165	BREAKER ROLLER ARM	.....	26
0531045753	DOUBLE ROLLER STABILIZER	.....	27
0541051481	CAGE ROLLER ASSY	.....	28
0501046922	AGRICULTURAL BEARING DM OL 7 X 1.1/4 IMPLEMENT	.....	29

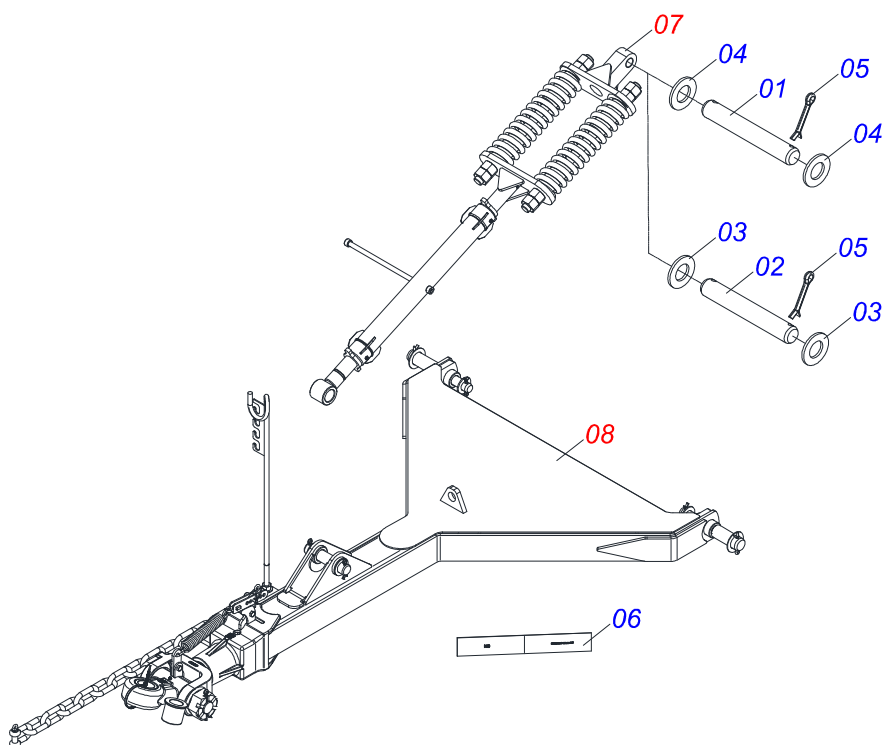


Item	Code	Description	See page	QT
01	0531045883	FRAME ASSY - 7H	2	01
02	0541050164	ROLLER ARM ASSY	25	04
03	0541051481	CAGE ROLLER ASSY	28	02

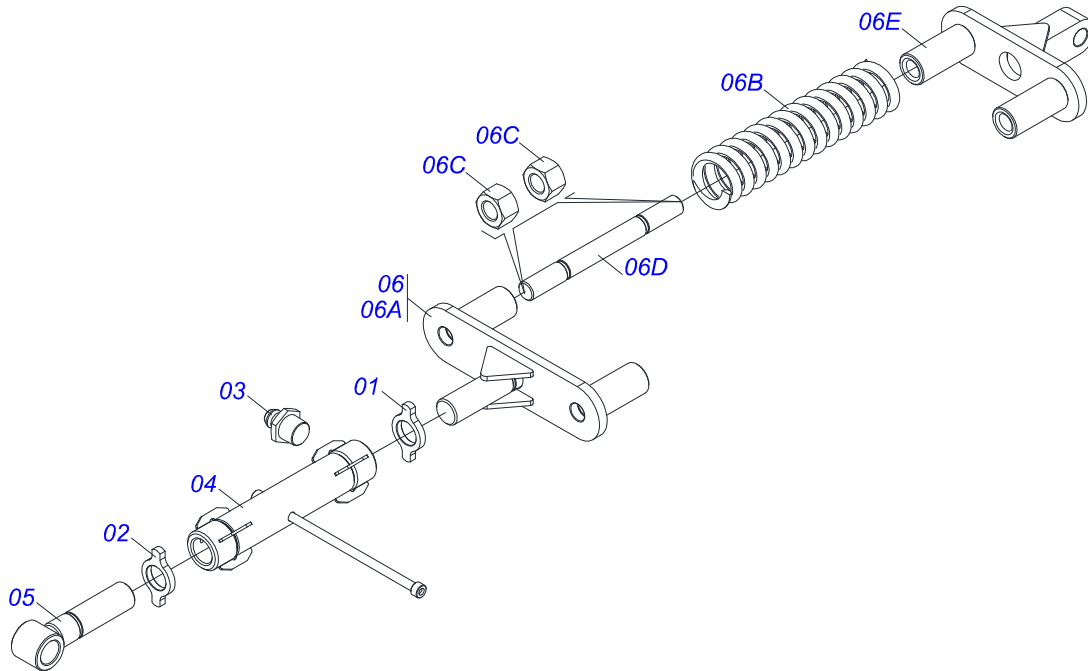


Item	Code	Description	See page	QT
01	0531067666	FRAME		01
02	0541051866	DRAWBAR ASSY	3	01
03	0531045758	CARRYING-WHEEL WITH SHAFT ASSY	8	01
04	0541054154	SUBSOILING ROD WITHOUT CONDUCTOR	12	07
05	0541050135	26" DISC BLADE ASSY	13	09
06	0531045786	RIGHT HYDRAULIC CYLINDER	16	01
07	0531045757	LEFT HYDRAULIC CYLINDER	17	01
08	0503034004	ALUMINUM IDENTIFICATION DECAL		01
09	0503034078	LIFTING POINTS DECAL		04
10	0503031739	DANGER DECAL		01
11	0503031803	IMPORTANT DECAL		01
12	0503031827	DAILY LUBRICATION AND RETIGHTENING DECAL		01
13	0503031428	ATTENTION READ MANUAL DECAL		01
14	0503010001	RIVET 3,2 X 5,5		02
15	0531054736	SEMI BEARING WITH NYLON SHIM	18	08
16	0501110568	RIGHT PIVOT BEARING WITH SLEEVE	19	01
17	0531068501	CYLINDER LOCK PIN		04
18	0503013935	1 UNC X 9 C S G.8 ZN BOLT		08
19	0503018754	NUT 1 - 8 UNC - 2B G8		08
20	0501010690	FLAT WASHER 26 X 58 X 4,75		08
21	0503010004	1890 GREASE FITTING		04
22	0501015593	SUPPORT PLATE		04
23	0501411492	GREASE EXTENDER R.1/8 BSP 40		04
24	0501010322	20,50 X 46 X 4,00 ZN FLAT WASHER		04
25	0503010023	3/4" SPRING WASHER		04
26	0503010025	3/8" SPRING WASHER		04
27	0501010984	10,50 X 27 X 3,00 FLAT WASHER		04
28	0541050176	SUPPORT	20	04
29	0503010237	3/8" X 1" BOLT		04
30	0501412140	SPACER BUSHING		02
31	0503010014	3/4" ZN G.5 (HEAVY) UNC HEX NUT		04
32	0503011328	3/4" X 4" BOLT		04

<b>Item</b>	<b>Code</b>	<b>Description</b>	<b>See page</b>	<b>QT</b>
33	0501110563	LEFT PIVOT BEARING WITH SLEEVE	22	01
34	0541054241	HOSE SET	23	01
35	0541012165	3/4" NIPPLE		02
36	0571018575	NUT - R.3/4" UNF 16FPP X 10		02
37	0503037376	3/4" T ADAPTER WITH SWIVEL NUT		02
38	0501010617	NIPPLE 3/4" NF X 3/4" NF HEX. 7/8" X 44		04
39	0503010190	2-114 N 3006-9B O'RING		04
40	0501053834	MALE QUICK COUPLER	24	02
41	0503011135	BOLT 7/16" UNC X 1.1/2" C S G.5 ZN		05
42	0503010180	7/16" SPRING WASHER		05
43	0502010477	HOSE CLAMP		05
44	0503037082	STRONDER 620 STANDARD LOGO DECAL		02

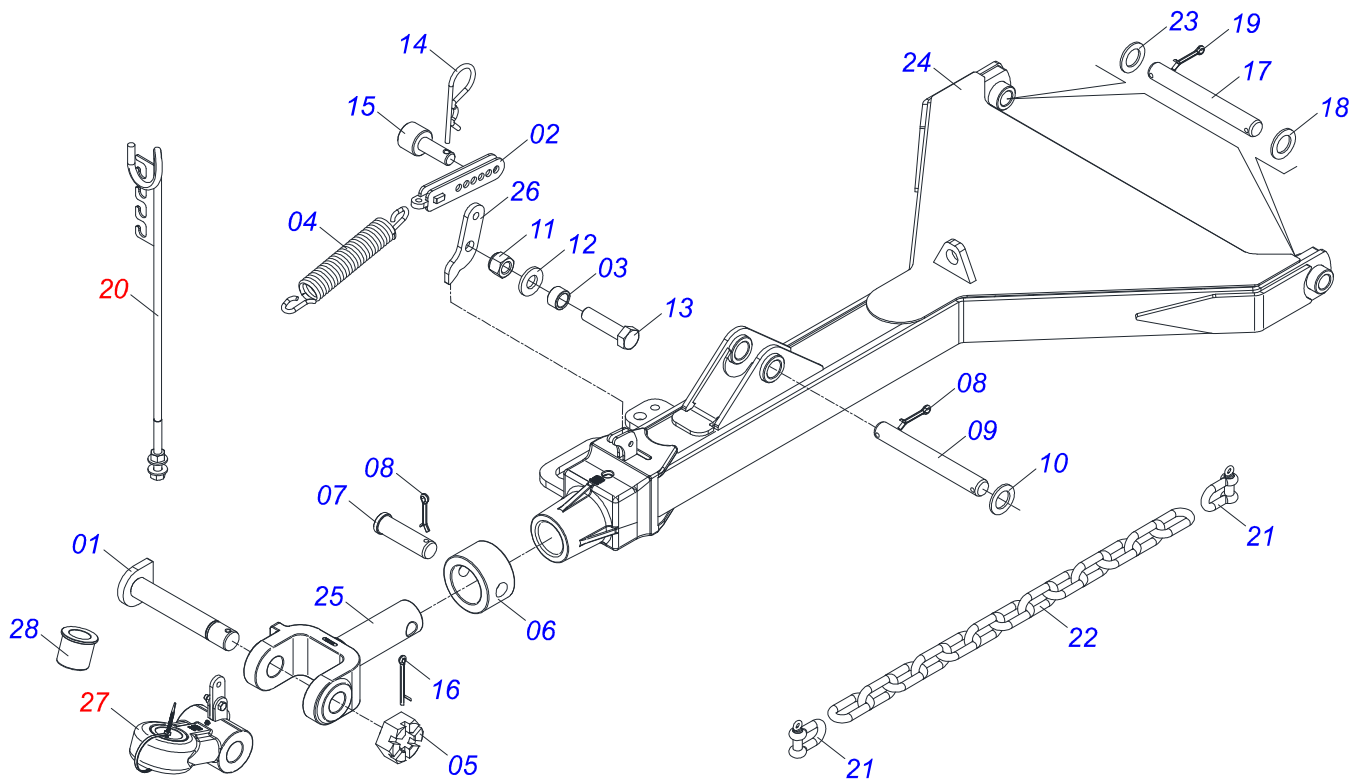


Item	Code	Description	See page	QT
01	0501314620	1.3/4 X 210MM PIN		01
02	0581015980	31,75 X 210 PIN		01
03	0501017779	FLAT WASHER 32 X 60 X 4,75		02
04	0561011851	FLAT WASHER		02
05	0503010534	3/8" X 2.1/2" SPLIT PIN		04
06	0503013229	REFLECTIVE SIDE BAND		02
07	0541051761	EXTENDER SET ASSY	4	01
08	0541051780	DRAWBAR ASSY	5	01

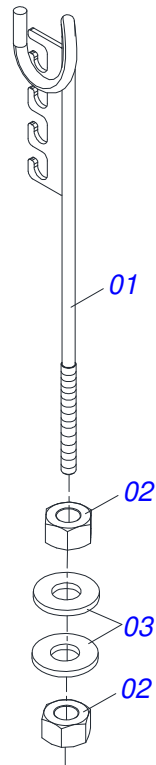


Item	Code	Description	See page	QT
01	0561019303	RIGHT LOCKNUT		01
02	0561019304	LEFT LOCKNUT		01
03	0503010002	1800 GREASE FITTING		02
04	0531066935	R2 UNC EXTENDER		01
05	0531066931	SPINDLE R 2 UNC 8FPP LEFT EXTENDER		01
06	0541051665	EXTENDER CLAMP WITH SPRING		01
06A	0531066937	FRONT GUIDE MOLDS EXTENDER		01
06B	0503031603	4" X 17" X 0.8" SPRING		02
06C	0501010087	1.1/4" NUT		08
06D	0501315554	ROD 1.1/4 X 600		02
06E	0531066940	REAR GUIDE SPRING EXTENDER		01

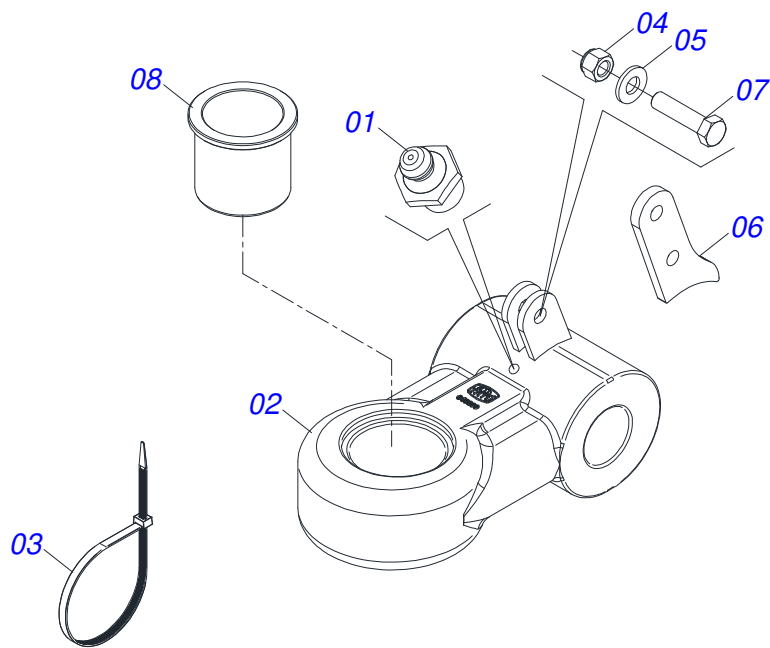




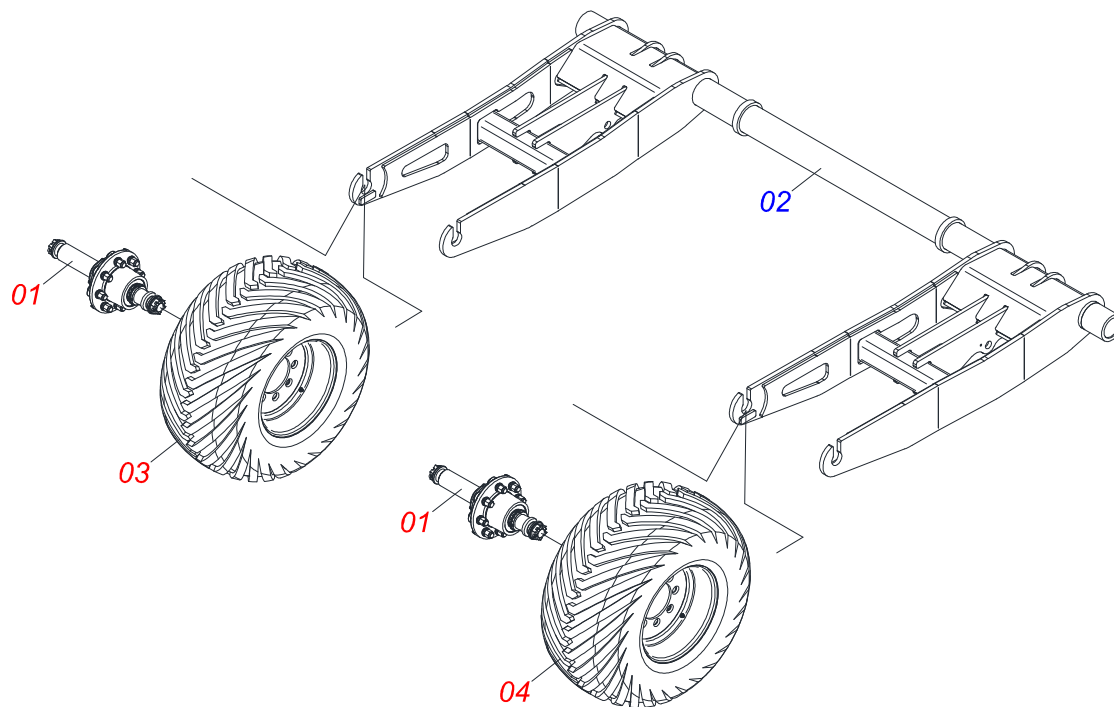
Item	Code	Description	See page	QT
01	0531061122	AXIS ARTICULATOR		01
02	0531061607	SPRING REGULATOR		01
03	0591014552	SLEEVE		01
04	0503031741	1.8" X 11.4" 0.3" TRACTION SPRING		01
05	0502040558	2" CASTLE NUT		01
06	0501314645	STROKE LIMITER RING		01
07	0501314638	DRAWBAR LOCK PIN		01
08	0503010534	3/8" X 2.1/2" SPLIT PIN		05
09	0501314620	1.3/4 X 210MM PIN		01
10	0561011851	FLAT WASHER		02
11	0503010589	1/2" UNC SELF ADJUSTING NUT		01
12	0501010937	13,50 X 28 X 3,00 FLAT WASHER		01
13	0503010740	BOLT 1/2 UNC X 2 CS G.5 ZN		01
14	0503030285	HITCH PIN CLIP		01
15	0591014558	SPRING REGULATOR FIXER AXLE		01
16	0503010074	3/8" X 4" SPLIT PIN		01
17	0501314636	JOINT AXLE		02
18	0581013462	38,10 X 68 X 4,75 FLAT WASHER		02
19	0503010073	3/8" X 3.1/2" SPLIT PIN		02
20	0501040257	3/4" X 38" HOSE SUPPORT ASSY	6	01
21	0503014321	CABLE STEEL SHACKLE		02
22	0503014120	CHAIN		01
23	0551016955	FLAT WASHER		02
24	0531066943	DRAWBAR		01
25	1902040897	TRACTOR HITCH		01
26	0591014554	REAR SUPPORT FIXING SPRING		01
27	0531040171	HITCH ASSY	7	01
28	0591013086	SLEEVE 52,8 X 78 X 76 (PIN 2")		01



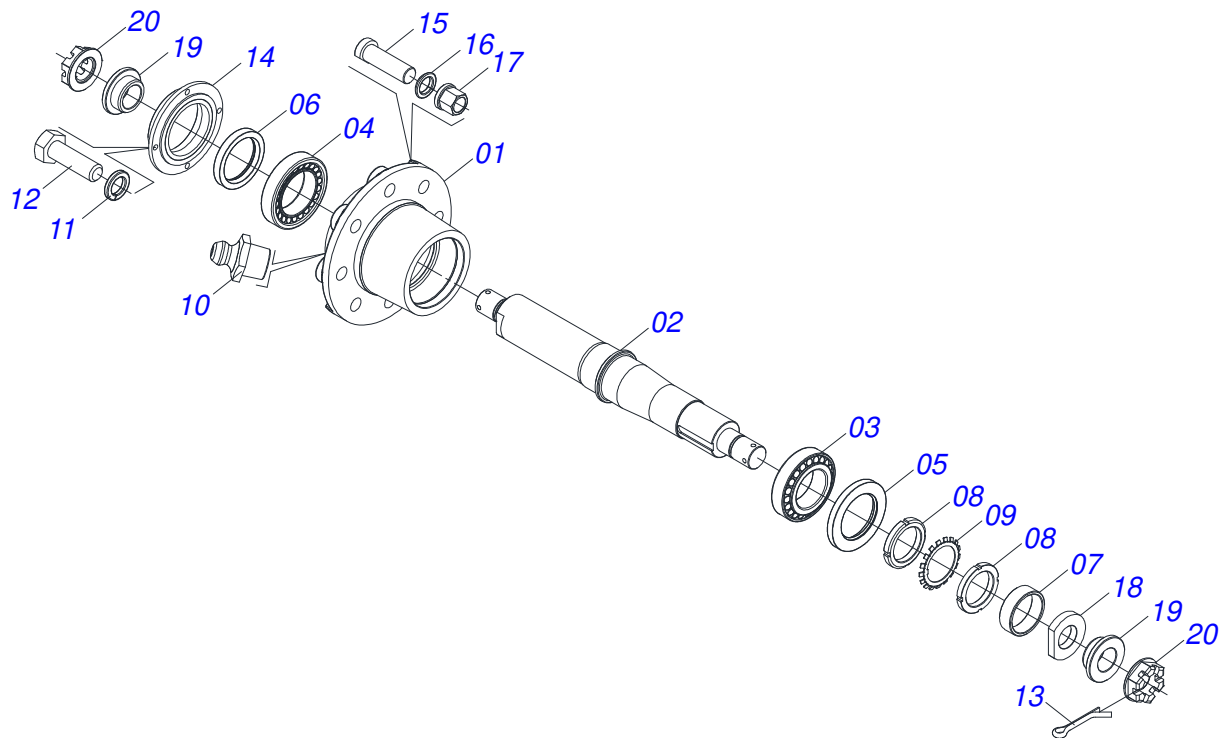
Item	Code	Description	See page	QT
01	0511067334	HOSE SUPPORT		01
02	0503010014	3/4" ZN G.5 (HEAVY) UNC HEX NUT		02
03	0501010322	20,50 X 46 X 4,00 ZN FLAT WASHER		02



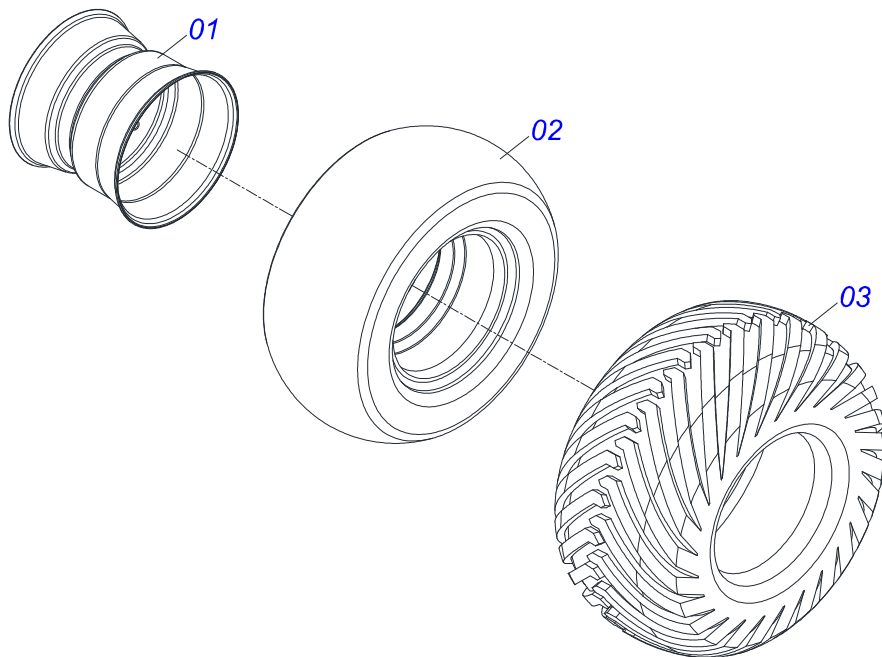
Item	Code	Description	See page	QT
01	0503010002	1800 GREASE FITTING		01
02	0531061121	HITCH		01
03	0503018829	NYLON CLAMP 7,8 X 1,8 X 390 MM		01
04	0503010589	1/2" UNC SELF ADJUSTING NUT		01
05	0501010937	13,50 X 28 X 3,00 FLAT WASHER		01
06	0591014555	FRONT SUPPORT FIXING SPRING		01
07	0503010740	BOLT 1/2 UNC X 2 CS G.5 ZN		01
08	0591013448	SLEEVE 65,50 X 78 X 76 (PIN 2.1/2")		01



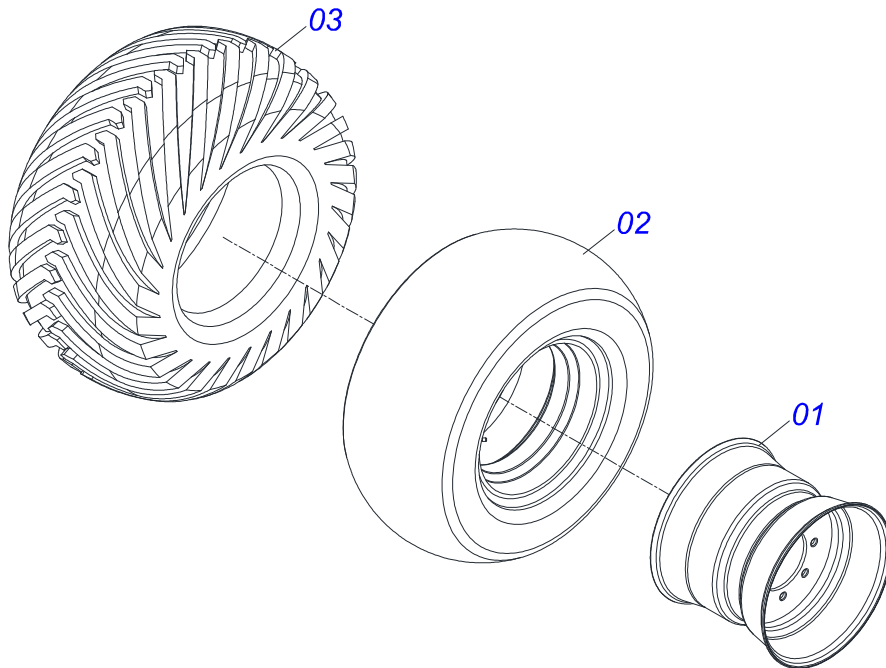
Item	Code	Description	See page	QT
01	0521052327	WHEEL WITHOUT TIRE	9	02
02	0531068508	WHEEL AXLE TIRE 400/60		01
03	0541054000	WHEEL WITH TIRE 400/60 X 15.5-16L RIGHT	10	01
04	0541053999	WHEEL WITH TIRE 400/60 X 15.5-16L LEFT	11	01



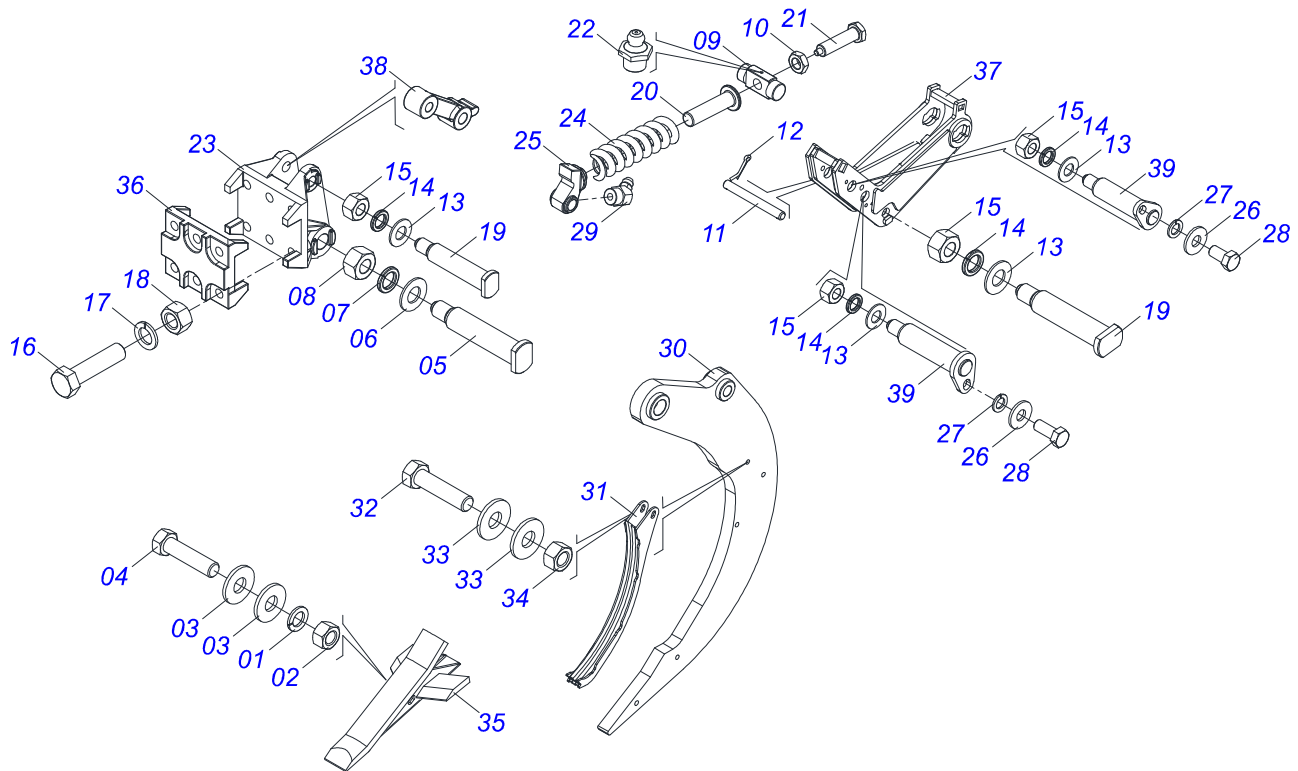
Item	Code	Description	See page	QT
01	0502040760	CARRYING WHEEL HUB		01
02	0581016380	WHEEL AXLE		01
03	0503010007	3982/3920 ROLLER BEARING		01
04	0503010059	33287/33462 ROLLER BEARING		01
05	0503010009	RETAINER 00573-B		01
06	0503010086	SEAL 0009B-B		01
07	0551014473	SLEEVE		01
08	0503012702	KM-12 NUT		02
09	0503012703	LOCK WASHER		01
10	0503010002	1800 GREASE FITTING		01
11	0503011444	SPRING WASHER 5/16"		04
12	0503010363	BOLT 5/16 UNC X 1 C S G.2 ZN		04
13	0503010010	1/4" X 2.1/2" SPLIT PIN		02
14	0511068415	SEAL GUIDE		01
15	0503011339	M22 X 1,5 X 72 BOLT		08
16	0503011340	SPHERICAL SPRING WASHER		08
17	0503011341	M22 X 0.6" NUT GR8		08
18	0581010967	FLAT WASHER		01
19	0581010968	LOCK SLEEVE WHEEL		02
20	0501010630	1.1/2" CASTLE NUT		02



Item	Code	Description	See page	QT
01	0511064578	CENTER 13 X 15.5 WHEEL		01
02	0503012112	400/60 - 15.5 TR 15 INNER TIRE		01
03	0503017354	TYRE		01



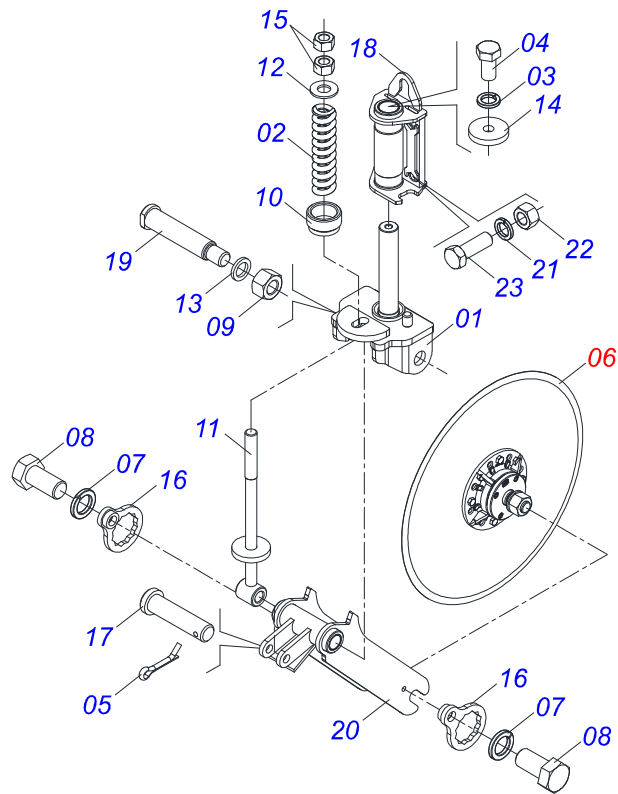
Item	Code	Description	See page	QT
01	0511064578	CENTER 13 X 15.5 WHEEL		01
02	0503012112	400/60 - 15.5 TR 15 INNER TIRE		01
03	0503017354	TYRE		01



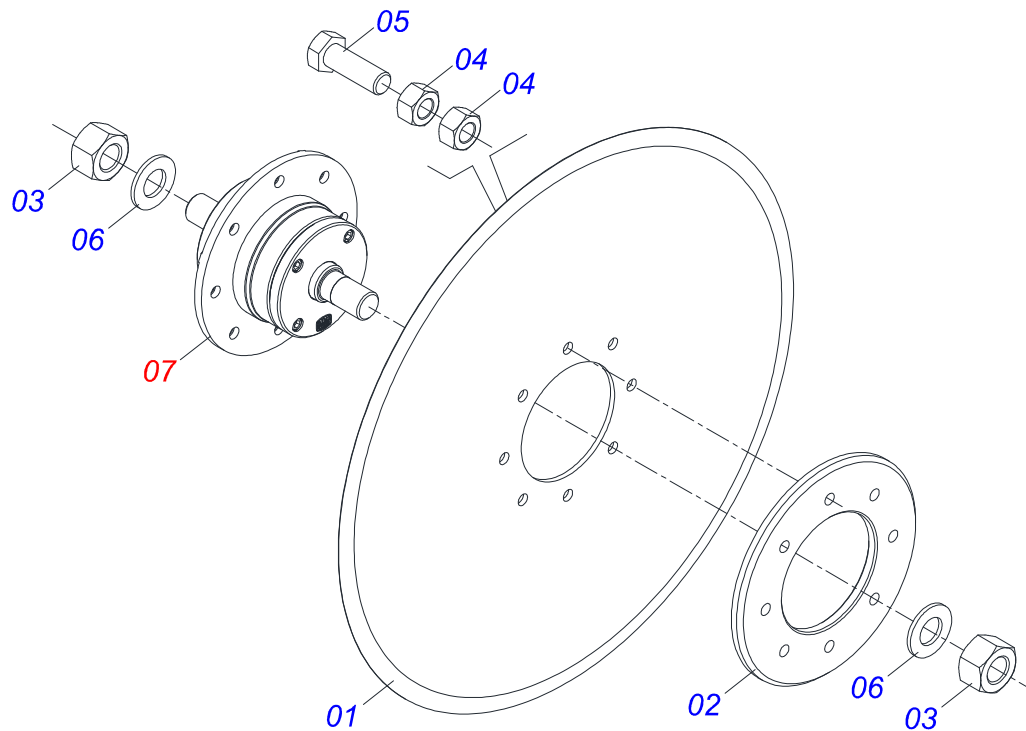
Item	Code	Description	See page	QT
01	0503011440	SPRING WASHER		01
02	0503010060	1/2 UNC G.5 ZN HEX NUT		01
03	0501010937	13,50 X 28 X 3,00 FLAT WASHER		02
04	0503010847	1/2" X 3.1/4" BOLT		01
05	0501311768	JOINT PIN		01
06	0501010086	FLAT WASHER		01
07	0503011439	1.1/4" SPRING WASHER		01
08	0503010352	1.1/4" UNF NUT		01
09	0502012547	SUPPORT BOLT		01
10	0503012670	LOCKNUT 1-1/2"		01
11	0521017338	PIN LOCK CACC 32600 4081632 ZN		01
12	0503010362	1/8" X 1.1/4" SPLIT PIN		02
13	0501010076	FLAT WASHER		04
14	0503011447	SPRING WASHER		04
15	0503010417	7/8" NUT		04
16	0503013137	1" X 8" BOLT		06
17	0503011438	SPRING WASHER		06
18	0503012182	1" NUT		06
19	0501311754	PIN		02
20	0501311747	BIGGER SPRING GUIDE		01
21	0501311774	ADJUSTMENT SPINDLE		01
22	0503010002	1800 GREASE FITTING		05
23	0502012549	ROD SUPPORT		01
24	0513011784	WIRE SPRING		01
25	0501317975	HITCH DISARM		01
26	0521014508	FLAT WASHER		02
27	0503010019	1/2" SPRING WASHER		02
28	0503010834	1/2 X 1 BOLT		02
29	0503010003	1845 GREASE FITTING		01
30	0531068661	ROD WITHOUT CONDUCTOR		01
31	0531068662	PARABOLIC BLADE ASSY		01
32	0503010479	BOLT		01



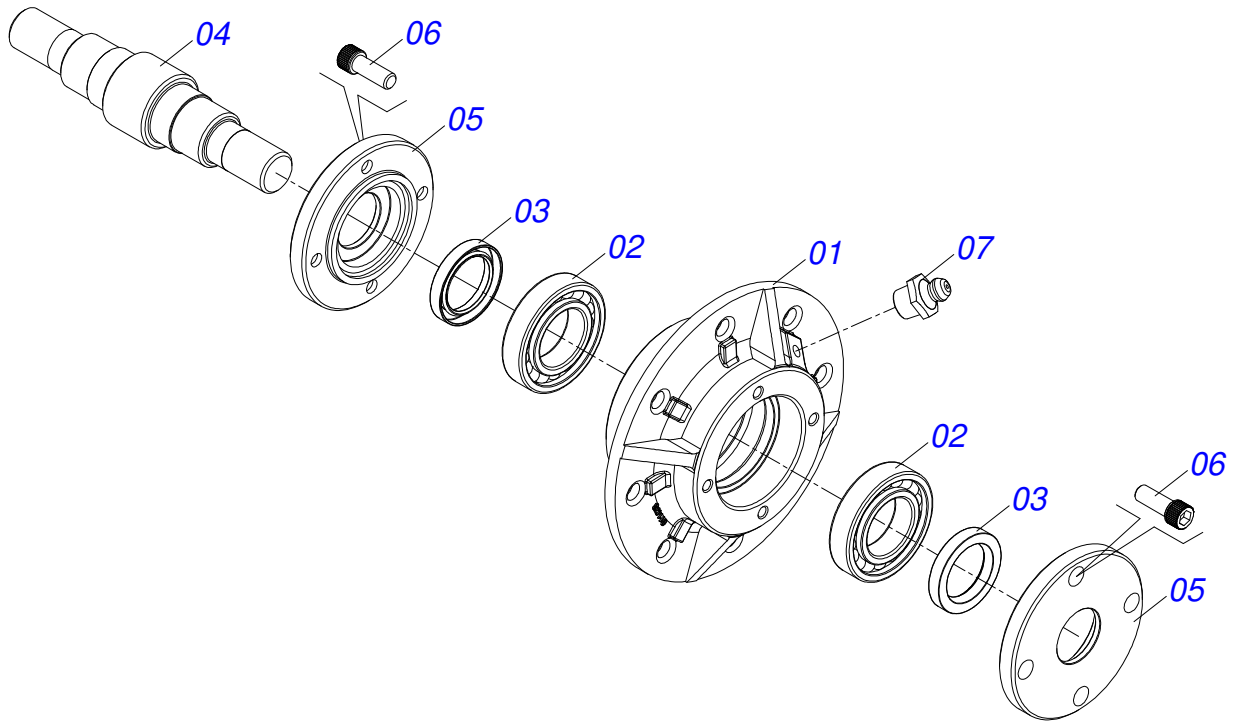
<b>Item</b>	<b>Code</b>	<b>Description</b>	<b>See page</b>	<b>QT</b>
33	0503011828	FLAT WASHER 13 X 24 X 2,00 ZN		02
34	0503010589	1/2" UNC SELF ADJUSTING NUT		01
35	0521068065	POINT SUBSOILER		01
36	1902013120	SUPPORT FASTENER SET ROD		01
37	0531067741	SUPERIOR SUPPORT		01
38	0501317976	UPPER DISARM ARM		01
39	0531067742	DISARMING PIN		02



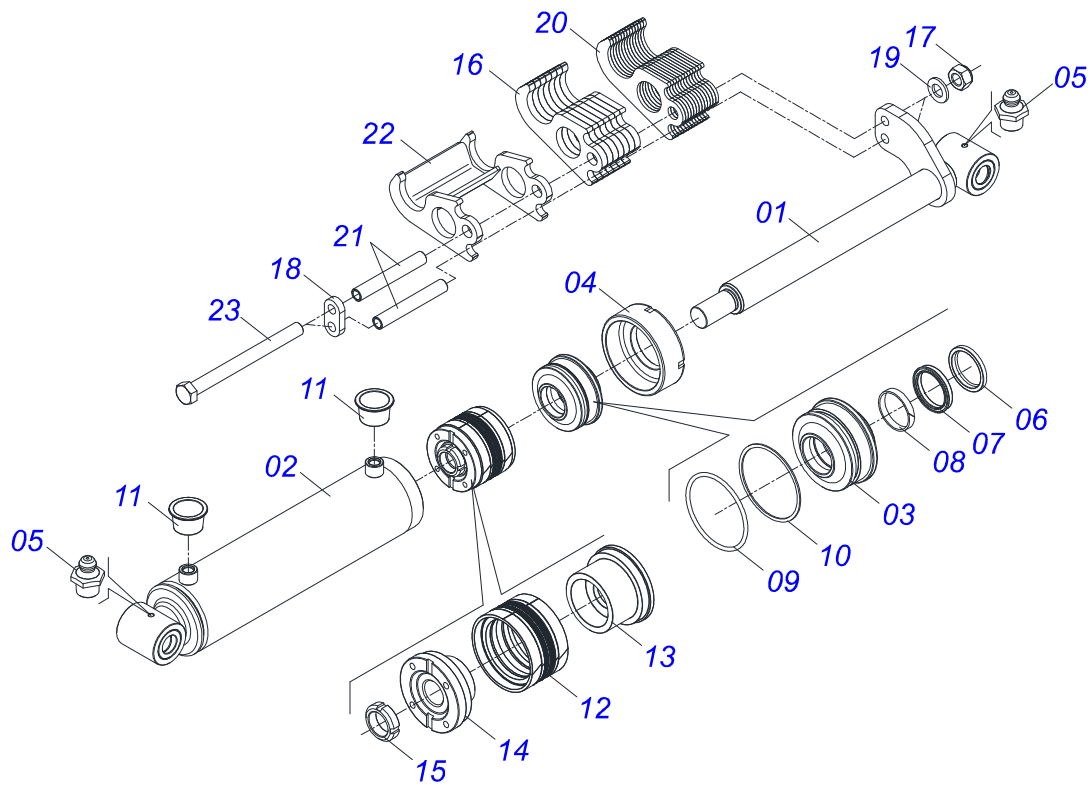
Item	Code	Description	See page	QT
01	0531066191	SUPPORT		01
02	0503031593	SPRING		01
03	0503011442	3/4" SPRING WASHER		01
04	0501010098	BOLT 3/4" UNC X 2 C S G.5 ZN		01
05	0503010571	1/4" X 1.1/2" SPLIT PIN		01
06	0541050139	26" DISC BLADE WITH HUB	14	01
07	0503011445	SPRING WASHER		02
08	0503010962	5/8" X 1-1/4" BOLT		02
09	0501010087	1.1/4" NUT		01
10	0511062801	SPRING FIXER SLEEVE		01
11	0511061612	SPRING ROD		01
12	0501010065	1" SPRING WASHER		01
13	0521012664	FLAT WASHER		01
14	0521012660	SWIVEL BASE WASHER		01
15	0503012182	1" NUT		02
16	0501069637	SHAFT NUT LOCK		02
17	0521012659	SPRING ROD FIXER SHAFT		01
18	0501111218	DISC BLADE SUPPORT		01
19	0501311667	FIXING AXLE		01
20	0501111217	26" DISC BLADE SUPPORT WITH BUSHING		01
21	0503010023	3/4" SPRING WASHER		04
22	0503012183	SNC 3/4" ZIN 1K03097 NUT		04
23	0501010500	3/4" X 3" BOLT		04



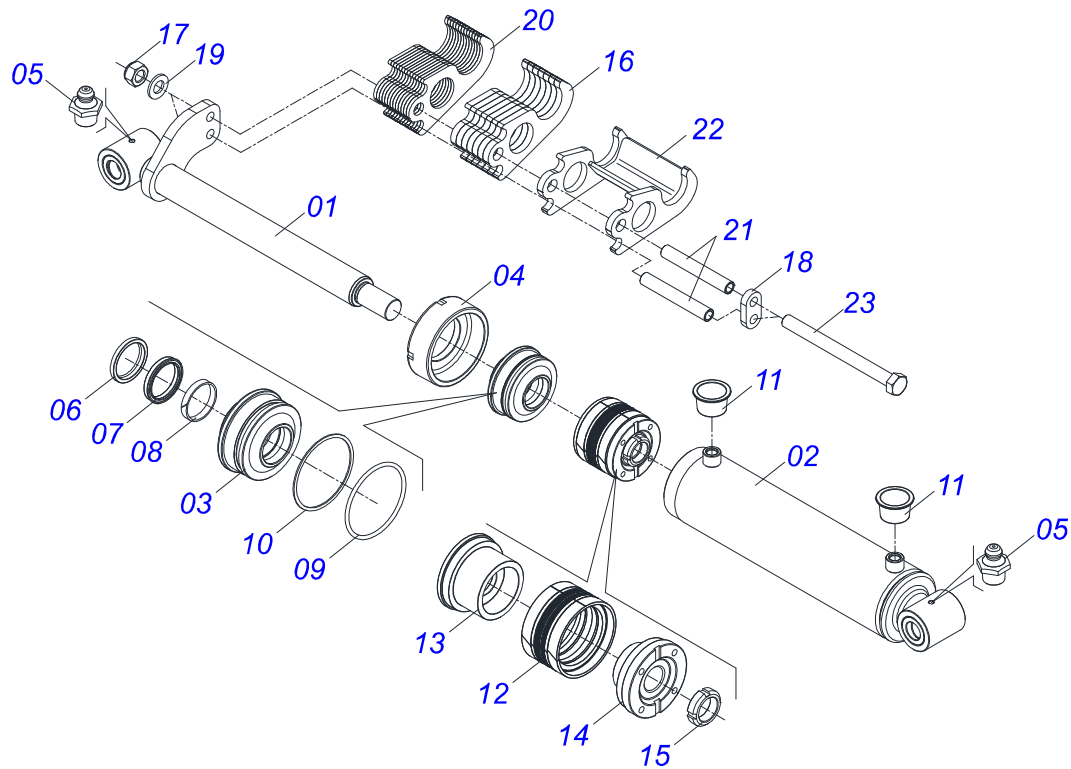
Item	Code	Description	See page	QT
01	0603032026	DPL26X6 AFDFR135+8FR D470 TATU		01
02	0521011824	DISC BLADE SUPPORT FLANGE		01
03	0501010087	1.1/4" NUT		02
04	0503010060	1/2 UNC G.5 ZN HEX NUT		16
05	0503010905	1/2" X 2-1/4" BOLT		08
06	0501017779	FLAT WASHER 32 X 60 X 4,75		02
07	0501057526	DISC HUB	15	01



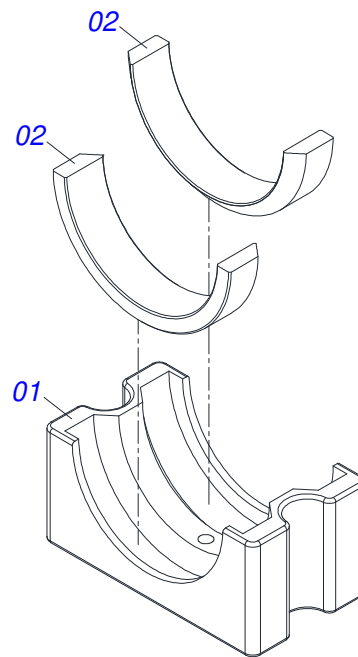
Item	Code	Description	See page	QT
01	0502011478	DISC HUB		01
02	0503011291	6209 BALL BEARING		02
03	0503012106	SEAL RETAINER 00521-BR		02
04	0521012661	DISC BLADE HUB AXLE		01
05	0502011477	DISC BLADE HUB LID		02
06	0503010134	3/8" X 1" BOLT		08
07	0503010002	1800 GREASE FITTING		01



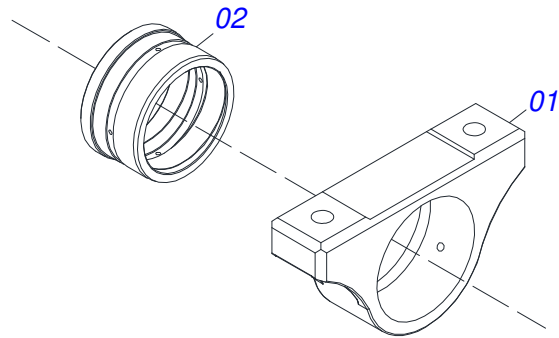
Item	Code	Description	See page	QT
01	0531068540	RIGHT PISTON ROD		01
02	0521061685	114,30 X 500 CYLINDER CASE		01
03	0502012644	RING SUPPORT		01
04	0502011222	END CAP 4 . 1/2"		01
05	0503010002	1800 GREASE FITTING		02
06	0503015715	SCRAPER SEALING		01
07	0503015642	U-CUP SEALING RUUB000970		01
08	0503015641	WEAR RING		01
09	0503011892	O' RING, 2-346 N 3006-9B		01
10	0503011893	BACK-UP RING, 8-346		01
11	0503030384	PLUG N-001		02
12	0503015640	SEALING SELEMASTER		01
13	0561016578	PISTON BODY		01
14	0581015283	BODY		01
15	0503819100	SCREW		01
16	0591010867	ROD STOP 202		07
17	0503013389	5/8" SELF LOCKING NUT		02
18	0591010870	ROD STOP PIN ANCHOR		01
19	0501010301	FLAT WASHER 16 X 29,50 X 3,00		02
20	0591013805	ROD STOP		13
21	0501411498	0.60" X 0.90" X 13.60" BUSHING		02
22	0531068503	174 ROD STOP		01
23	0531068502	ROD STOP FIXING BOLT		02



Item	Code	Description	See page	QT
01	0531068504	LEFT PISTON ROD		01
02	0521061685	114,30 X 500 CYLINDER CASE		01
03	0502012644	RING SUPPORT		01
04	0502011222	END CAP 4 . 1/2"		01
05	0503010002	1800 GREASE FITTING		02
06	0503015715	SCRAPER SEALING		01
07	0503015642	U-CUP SEALING RUUB000970		01
08	0503015641	WEAR RING		01
09	0503011892	O' RING, 2-346 N 3006-9B		01
10	0503011893	BACK-UP RING, 8-346		01
11	0503030384	PLUG N-001		02
12	0503015640	SEALING SELEMASTER		01
13	0561016578	PISTON BODY		01
14	0581015283	BODY		01
15	0503819100	SCREW		01
16	0591010867	ROD STOP 202		07
17	0503013389	5/8" SELF LOCKING NUT		02
18	0591010870	ROD STOP PIN ANCHOR		01
19	0501010301	FLAT WASHER 16 X 29,50 X 3,00		02
20	0591013805	ROD STOP		13
21	0501411498	0.60" X 0.90" X 13.60" BUSHING		02
22	0531068503	174 ROD STOP		01
23	0531068502	ROD STOP FIXING BOLT		02

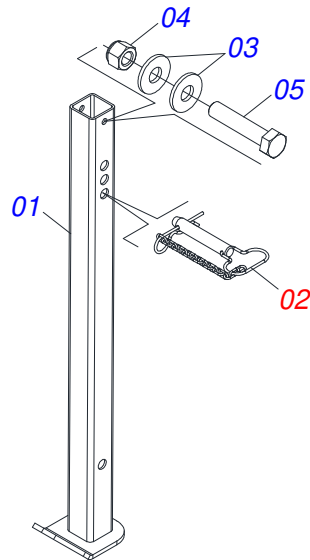


Item	Code	Description	See page	QT
01	0501213521	SEMI BEARING		01
02	0501213522	SUPPORT		02

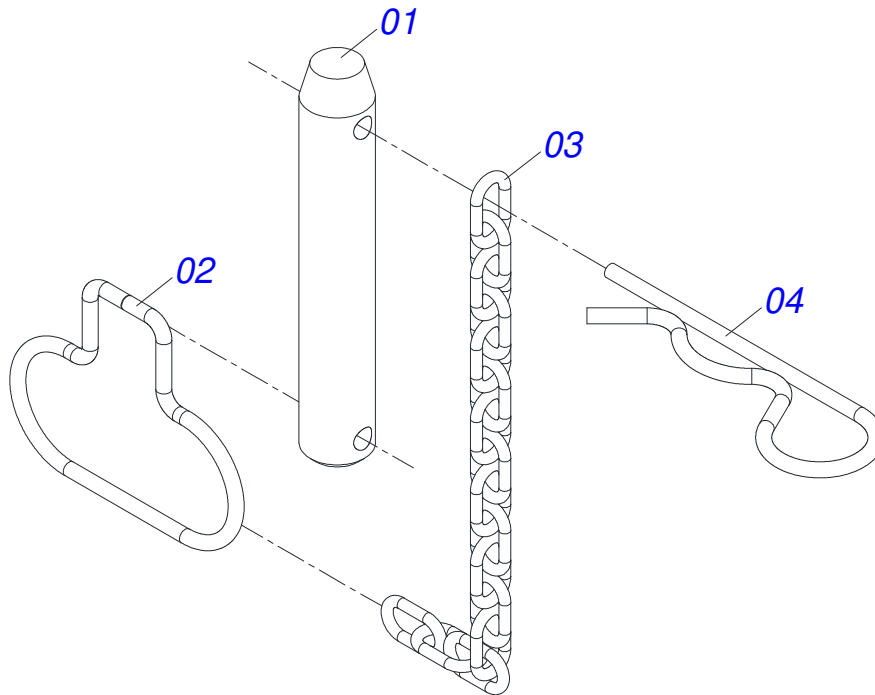


Item	Code	Description	See page	QT
01	0502012509	RIGHT PIVOT BEARING		01
02	0551018339	SLEEVE NYLON 114,40 X 140 X 76		01

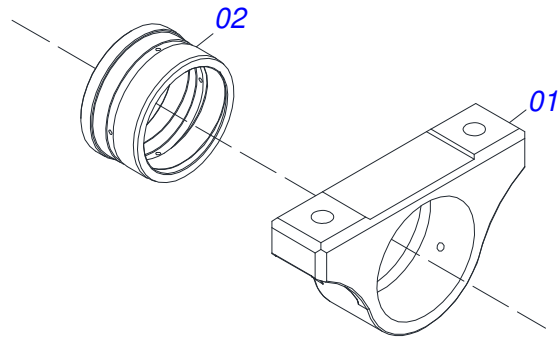




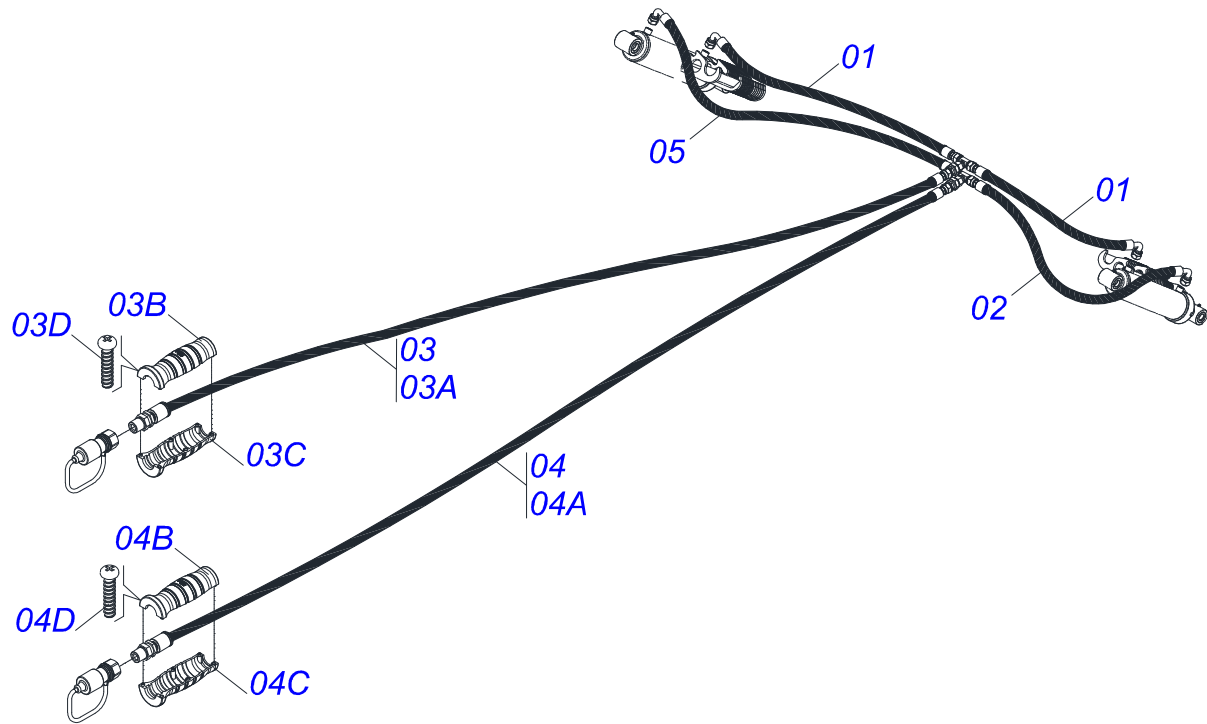
Item	Code	Description	See page	QT
01	0531066221	SUPPORT		01
02	0531050051	0.7" X 4" SHAFT ASSY	21	01
03	0511017302	FLAT WASHER 13,50 X 32,50 X 3,0 ZN		02
04	0503010589	1/2" UNC SELF ADJUSTING NUT		01
05	0503011140	1/2" X 3-3/4" BOLT		01



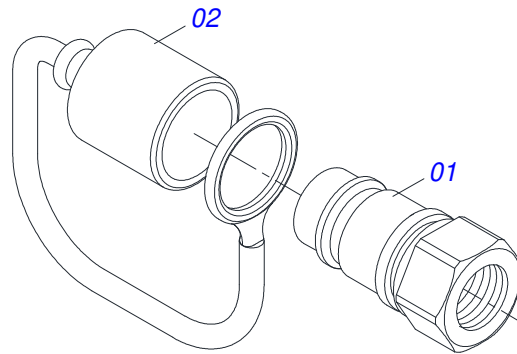
Item	Code	Description	See page	QT
01	0591016355	0.7" X 4" AXLE		01
02	0503034794	HANDLE PIN HITCH 4MM		01
03	0503034756	3,00 X 16 CHAIN		01
04	0503030012	HITCH PIN CLIP		01



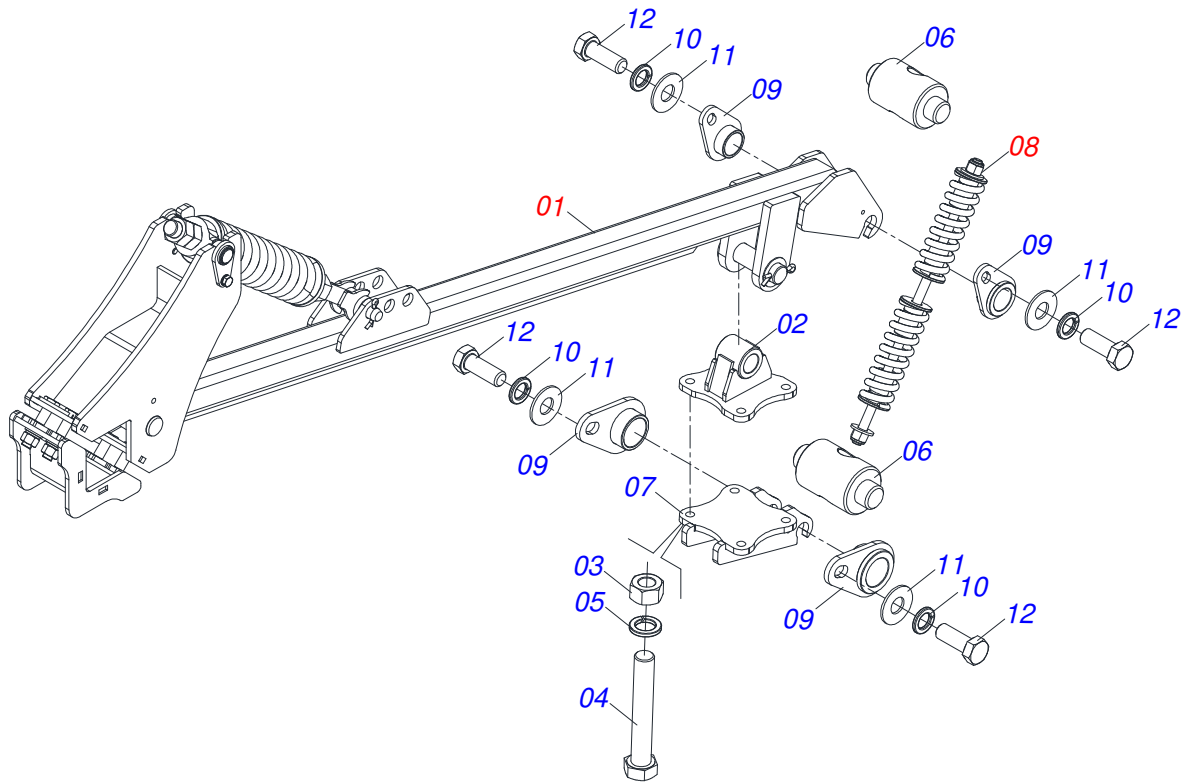
Item	Code	Description	See page	QT
01	0502012273	PIVOT BEARING		01
02	0551018339	SLEEVE NYLON 114,40 X 140 X 76		01



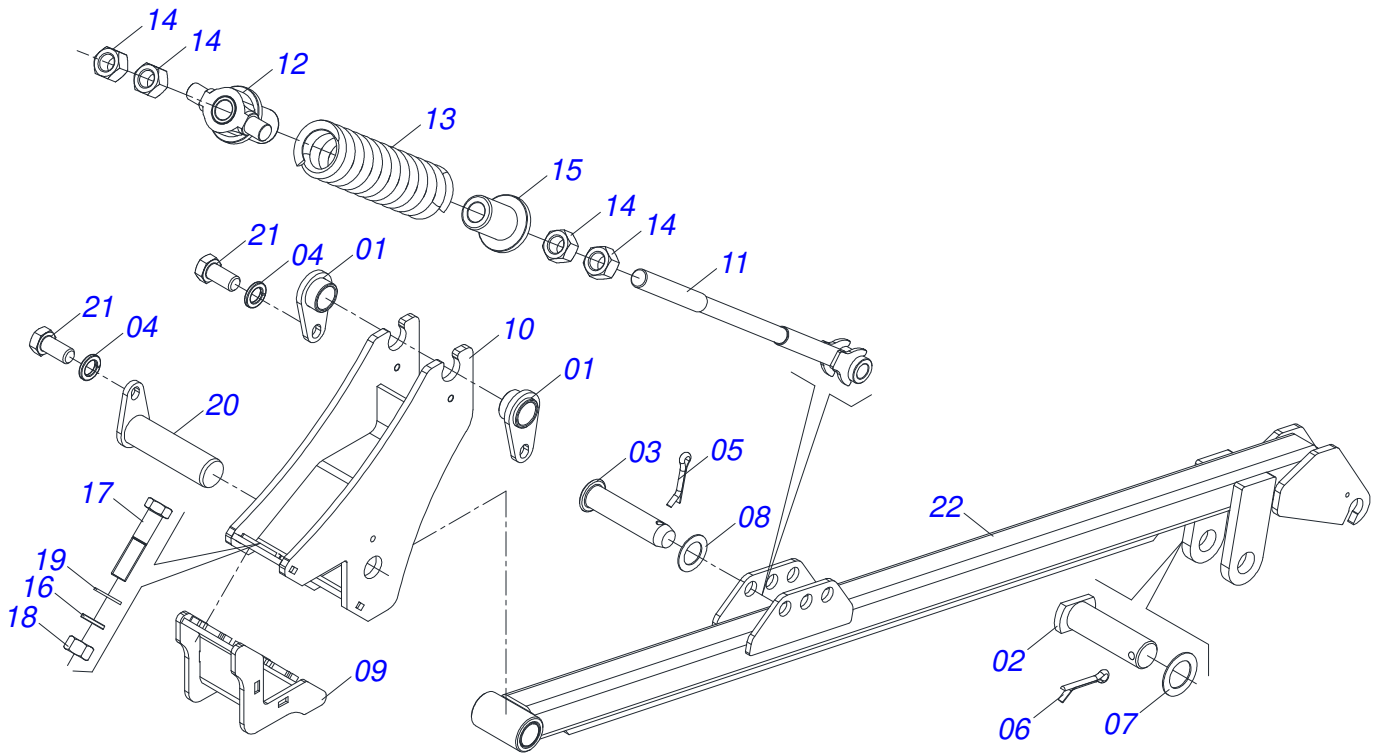
Item	Code	Description	See page	QT
01	0501080469	3/8" X 98" TR-TC HOSE		02
02	0501081780	3/8" X 80" TR-TC HOSE		01
03	0541053259	3/8" X 197" TR-TM BLACK/RED HOSE		01
03A	0501080399	3/8" X 197" TR-TM HOSE		01
03B	0503034492	HYDRAULIC HOSE GRIP (BLACK)		01
03C	0503034495	HYDRAULIC HOSE GRIP (RED)		01
03D	0503018952	PH 2,5 X 10 ZB PLASTIC BOLT		06
04	0541053258	3/8" X 197" TR-TM BLACK/BLUE HOSE		01
04A	0501080399	3/8" X 197" TR-TM HOSE		01
04B	0503034492	HYDRAULIC HOSE GRIP (BLACK)		01
04C	0503034494	HYDRAULIC HOSE GRIP (BLUE)		01
04D	0503018952	PH 2,5 X 10 ZB PLASTIC BOLT		06
05	0501081416	3/8 X 118" TR-TC HOSE		01



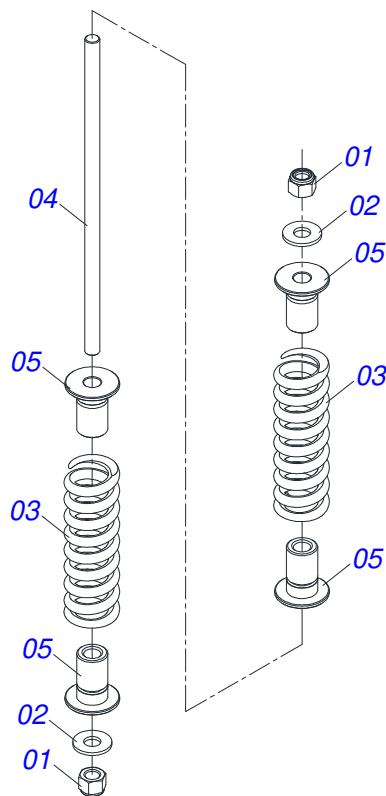
Item	Code	Description	See page	QT
01	0503011627	MALE QUICK COUPLER AGR 1/2 NPT		01
02	0503011882	MALE QUICK COUPLER CAP		01



Item	Code	Description	See page	QT
01	0541050165	BREAKER ROLLER ARM	26	01
02	0531063710	DOUBLE ROLLER FIXER		01
03	0503010013	5/8 UNC G.5 ZN HEX NUT		04
04	0501013867	BOLT 5/8" UNC X 6 CS G.5 ZN		04
05	0503010027	5/8 SPRING WASHER		04
06	0501411209	BUSHING		02
07	0531068446	LOWER PLAT		01
08	0531045753	DOUBLE ROLLER STABILIZER	27	01
09	0531068518	ROLLER ARM SUPPORT		04
10	0503010025	3/8" SPRING WASHER		04
11	0501013518	FLAT WASHER 10,50 X 24 X 1,50 ZN		04
12	0503010237	3/8" X 1" BOLT		04

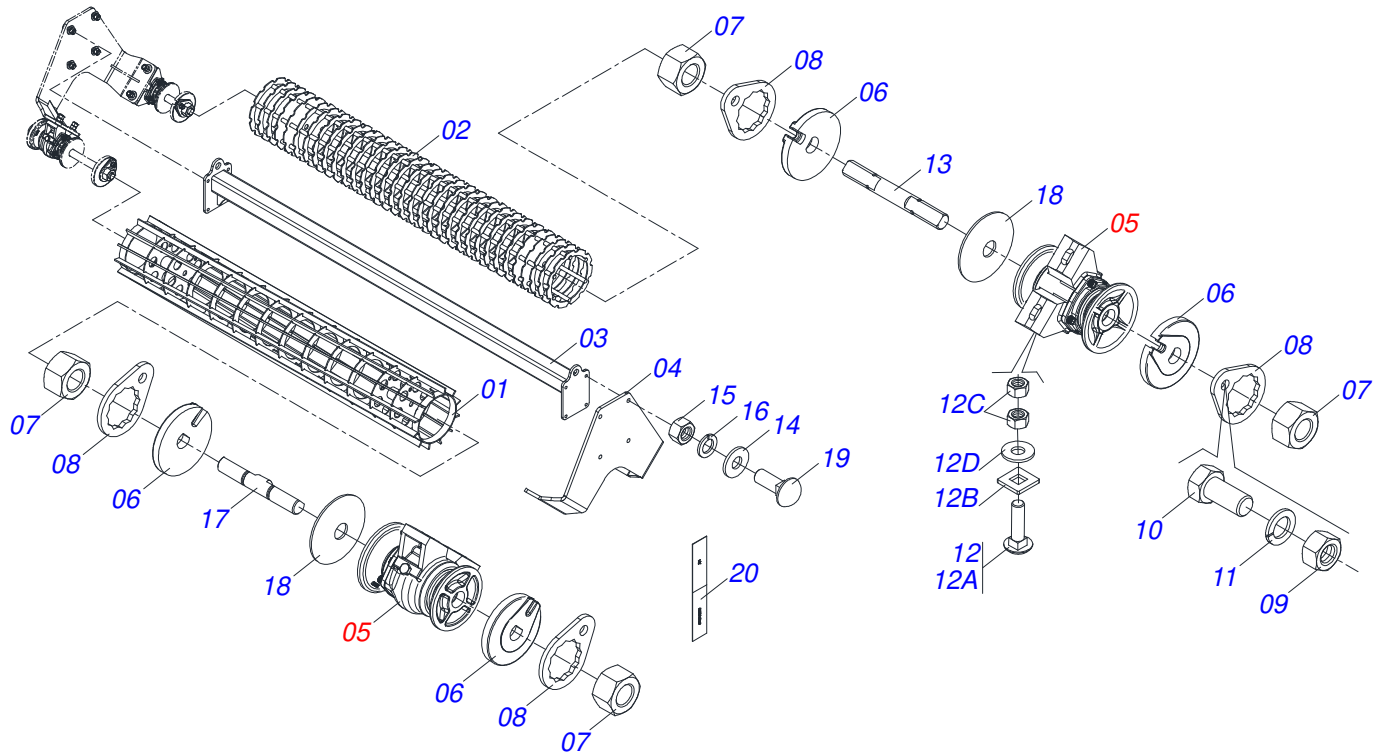


Item	Code	Description	See page	QT
01	0521063151	TRUNNION LOCK ARTICULATOR SPRING ROD		02
02	0531063711	ARTICULATION AXLE		01
03	0521010578	COUPLING SHAFT		01
04	0503010019	1/2" SPRING WASHER		03
05	0503010523	1/4 X 2 SPLIT PIN		01
06	0503012267	5/16 X 3 SPLIT PIN		01
07	0511019685	FLAT WASHER		01
08	0511015346	FLAT WASHER		01
09	0531066768	FIXING SUPPORT		01
10	0531066767	FIXING SUPPORT		01
11	0531066771	SPRING ROD R. 1. 1/4 UNC X 637		01
12	0531066769	SUPPORT TRUNNION		01
13	0503034531	COMPRESSSION SPRING		01
14	0503012181	1.1/4" NUT		04
15	0501314102	SPRING GUIDE BUSHING		01
16	0503010023	3/4" SPRING WASHER		04
17	0501010195	3/4" X 3-1/2" BOLT		04
18	0503012183	SNC 3/4" ZIN 1K03097 NUT		04
19	0501010941	FLAT WASHER		04
20	0531066770	PIN		01
21	0503010834	1/2 X 1 BOLT		03
22	0501111250	DOUBLE BREAKER ROLLER SUPPORT		01

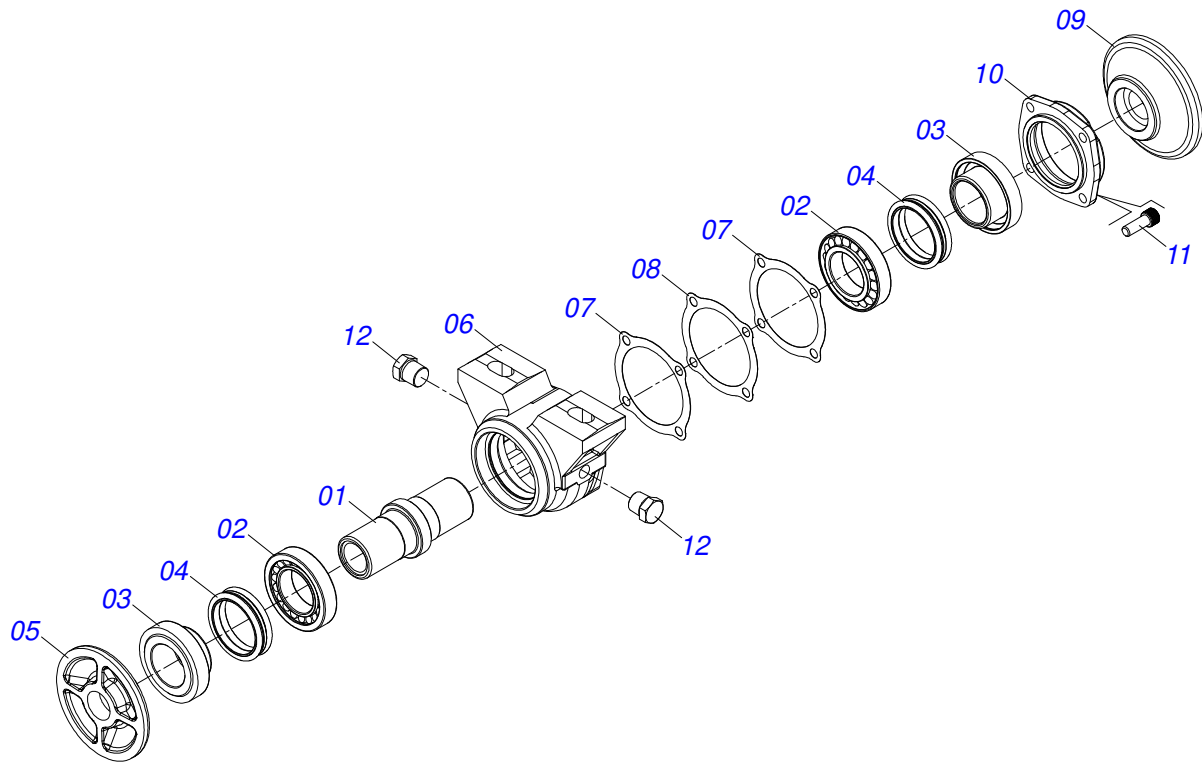


Item	Code	Description	See page	QT
01	0503011075	3/4 UNC LOCK NUT		02
02	0501010104	FLAT WASHER 45 X 20 X 4		02
03	0503035660	COMPRESSION SPRING		02
04	0501411213	SPRING ROD		01
05	0531068448	SPRING LIMITER		04





Item	Code	Description	See page	QT
01	0531066886	BREAKER ROLLER		01
02	0531066888	LEVELING ROLLER		01
03	0531066887	DESTROYER ROLLER SUPPORT		01
04	0531066202	SIDE BEARING FIXATION		02
05	0501046922	AGRICULTURAL BEARING DM OL 7 X 1.1/4 29 IMPLEMENT		04
06	1902010835	1-1/4" EXTERNAL AXLE WASHER		08
07	0501010087	1.1/4" NUT		08
08	0501010455	1.1/4" NUT LOCK		08
09	0503010060	1/2 UNC G.5 ZN HEX NUT		08
10	0501010161	BOLT 1/2" UNC X 1.1/4" C S G.2 ZN		08
11	0503011440	SPRING WASHER		08
12	0501058802	5/8 UNC X 2.3/4 BOLT ASSY		08
12A	0503015154	5/8" X 2.3/4" BOLT		01
12B	0501010947	5/8 NUT LOCK		01
12C	0503010013	5/8 UNC G.5 ZN HEX NUT		02
12D	0501012140	FLAT WASHER 16,50 X 40 X 4,00 ZN		01
13	0501311723	1 1/4 X 400 AXLE		02
14	0501012140	FLAT WASHER 16,50 X 40 X 4,00 ZN		08
15	0503010013	5/8 UNC G.5 ZN HEX NUT		08
16	0503011445	SPRING WASHER		08
17	0501010752	1.1/4 X 500 AXLE		02
18	0531018575	WASHER CONCAVE		04
19	0503012699	BOLT 5/8NC X 2 CAPQ G.5 ZN 1K20548		08
20	0503013229	REFLECTIVE SIDE BAND		02



Item	Code	Description	See page	QT
01	0502040218	AXLE		01
02	0503010111	30210 ROLLER BEARING		02
03	0502010541	SEAL HOLDER		02
04	0503030026	SEAL LP JB-253		02
05	0502010071	INNER FLANGE		01
06	0502010540	HOUSING DM		01
07	0503030013	4.4" X 3.5" X 0.004" JOINT		02
08	0503030684	4.4" X 3.5" X 0.004" JOINT		01
09	0502010070	OUTER FLANGE		01
10	0502020424	HOUSING CAP 182/192,225		01
11	0503010134	3/8" X 1" BOLT		04
12	0503010856	OIL PLUG R 3/8 BSPT		02





***civemasa***

**Technical Publications | Elaboration and Revision**  
LEONARDO JOSÉ DA SILVA SOUZA

[www.civemasa.com.br](http://www.civemasa.com.br)

