

DISK HARROWS

GDLCR - 25D
GDLCR - 25D

Code: 0501093934
Series: S-0324
Revision: 00
Revision Date: MAY/2024

PARTS
CATALOGUE

CIVEMASA

A solid orange rectangular bar is positioned at the top left of the page, above the "PRODUCTS" heading.

PRODUCTS

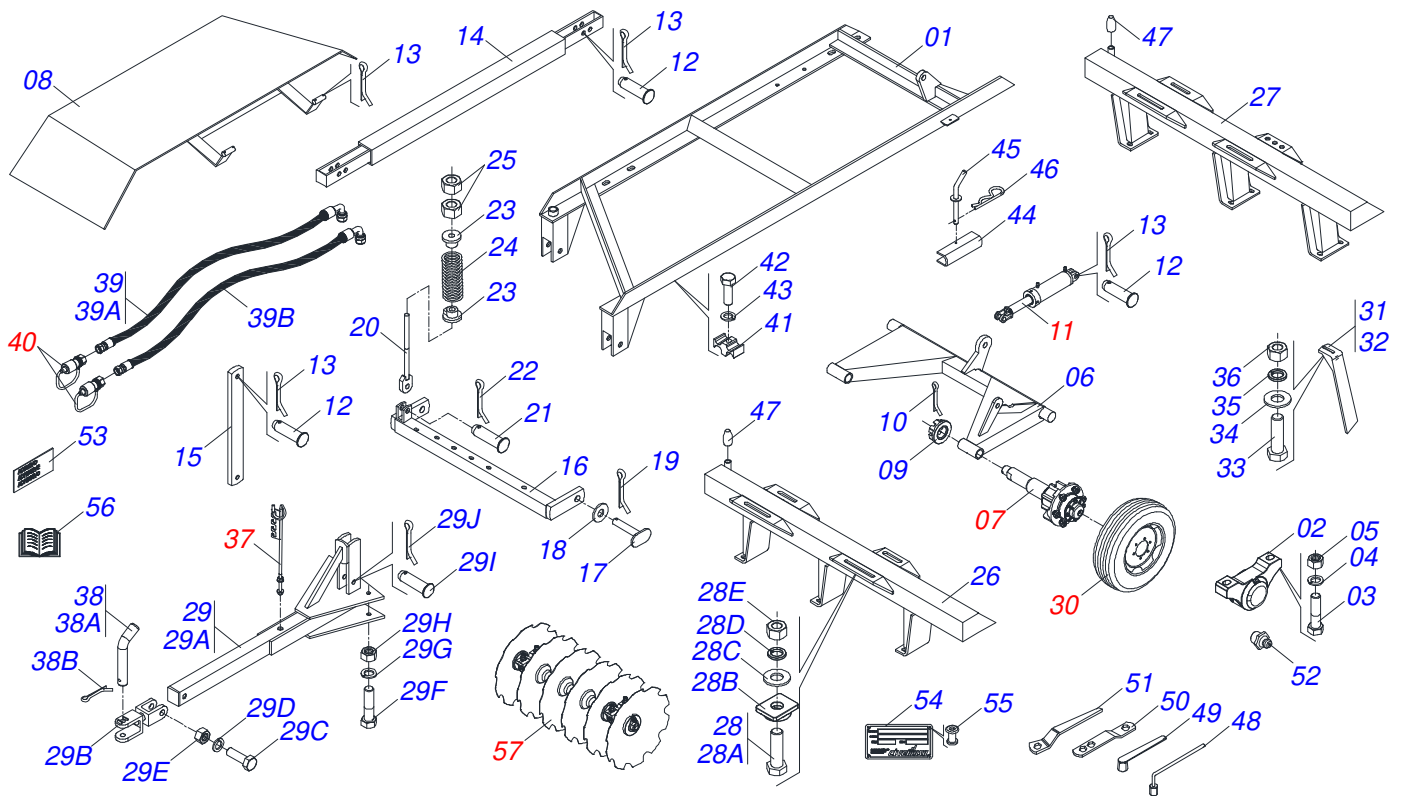
Code	Working Width	Description
0120890013		GDLCR 25X18X3,5 MT DMO E 1.1/4 S-0324

ATTENTION: IMPORTANT

CIVEMASA reserves the right to improve and/or modify the technical features of its products, without obligation to do the same with those products already sold and without prior knowledge of the dealer or the customer. The photos are only illustrative.

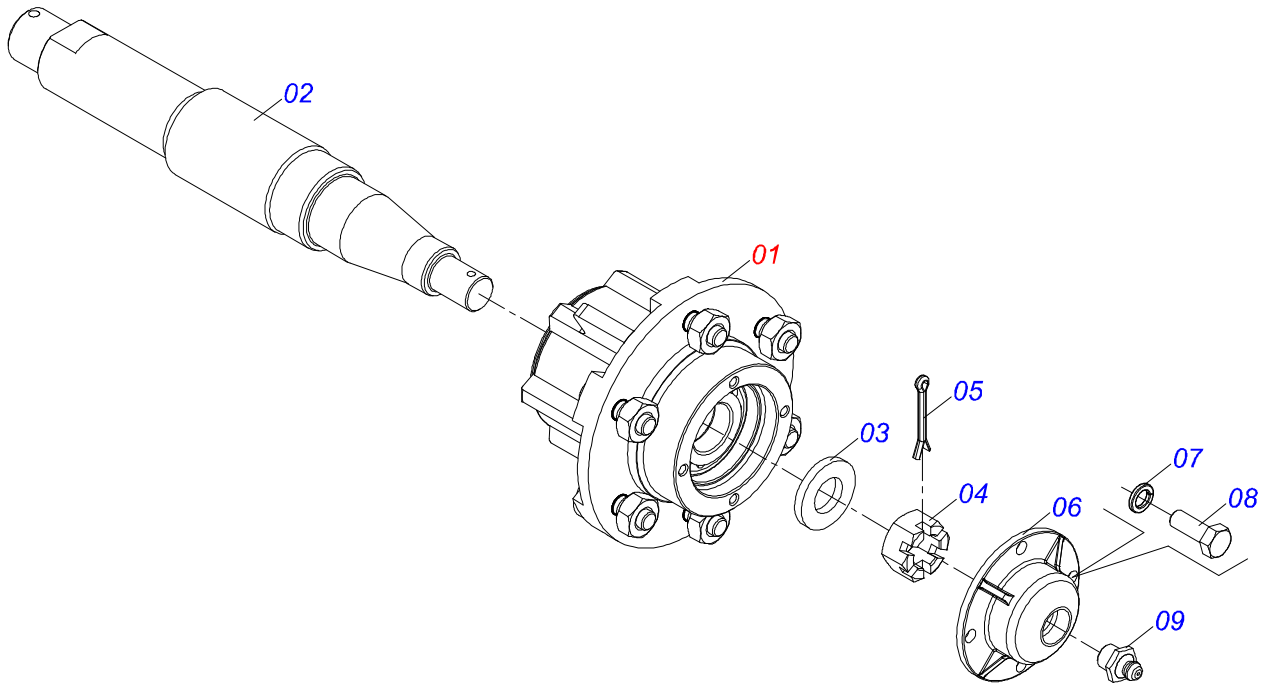
INDEX

0909093267	FRAME ASSY	1
0501051634	STUB SHAFT HUB ASSY	2
0501051142	CARRYING WHEEL HUB	3
0511058441	HYDRAULIC CYLINDER 44,45 X 85,70 X 540 X 179	4
0503060094	WHEEL AND TIRE ASSY	5
0501040257	3/4" X 38" HOSE SUPPORT ASSY	6
0501053834	MALE QUICK COUPLER	7
0909093285	DISC GANG ASSY	8
0521047188	182 X 1.1/4 DMO BEARING W/PROTECTION SUPPORT	9
0521050841	AGRICULTURAL BEARING DMO 182 X 1.1/4	10

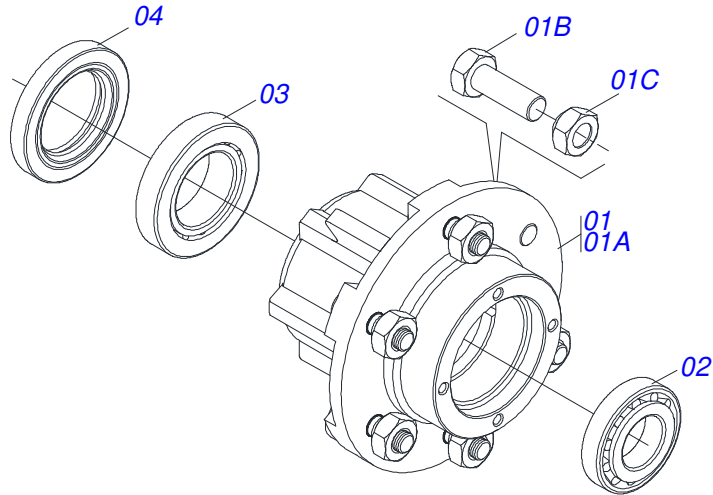


Item	Code	Description	See page	QT
01	0521069170	FRAME		01
02	0501110856	ARTICULATION BEARING		02
03	0503810901	SCREW 3/4 UNC X 3.1/2 C S G.5		04
04	0503011442	3/4" SPRING WASHER		04
05	0503010014	3/4" ZN G.5 (HEAVY) UNC HEX NUT		04
06	0501065477	WHEEL		01
07	0501051634	STUB SHAFT HUB ASSY	2	02
08	0501063477	PROTECTION COVER		01
09	0501011301	1.1/2" UNC 6FPP 2.5/16" NUT		02
10	0503010010	1/4" X 2.1/2" SPLIT PIN		02
11	0511058441	HYDRAULIC CYLINDER 44,45 X 85,70 X 540 X 179	4	01
12	0521010575	C0.9" X 3.3" COUPLING SHAFT		04
13	0503010571	1/4" X 1.1/2" SPLIT PIN		04
14	0501065476	STABILIZER BAR		01
15	0511010887	STABILIZER BAR TOWER		01
16	0501065471	HITCH BAR		01
17	0521817538	COUPLING SHAFT		02
18	0501012916	FLAT WASHER 40 X 66 X 4,75 ZN		02
19	0503010534	3/8" X 2.1/2" SPLIT PIN		02
20	0501065133	SPRING ROD 350		01
21	0521010592	1.1" X 3.1" COUPLING SHAFT		01
22	0503010571	1/4" X 1.1/2" SPLIT PIN		01
23	0502020392	SPRING SUPPORT		02
24	0503030441	12.7" X 5.7" X 0.5" SPRING		01
25	0501010059	1.5/8 NUT		02
26	0501063473	FRONT FRAME 2020 LD		01
27	0511060420	REAR FRAME 2190 LD		01
28	0501040877	C1" X 3-1/4" BOLT ASSY		08
28A	0501010171	BOLT 1 UNC X 3.1/2 C S G.5		08
28B	0502012861	1" SQUARE WASHER		08
28C	0501010065	1" SPRING WASHER		08
28D	0503010012	1" SPRING WASHER		08

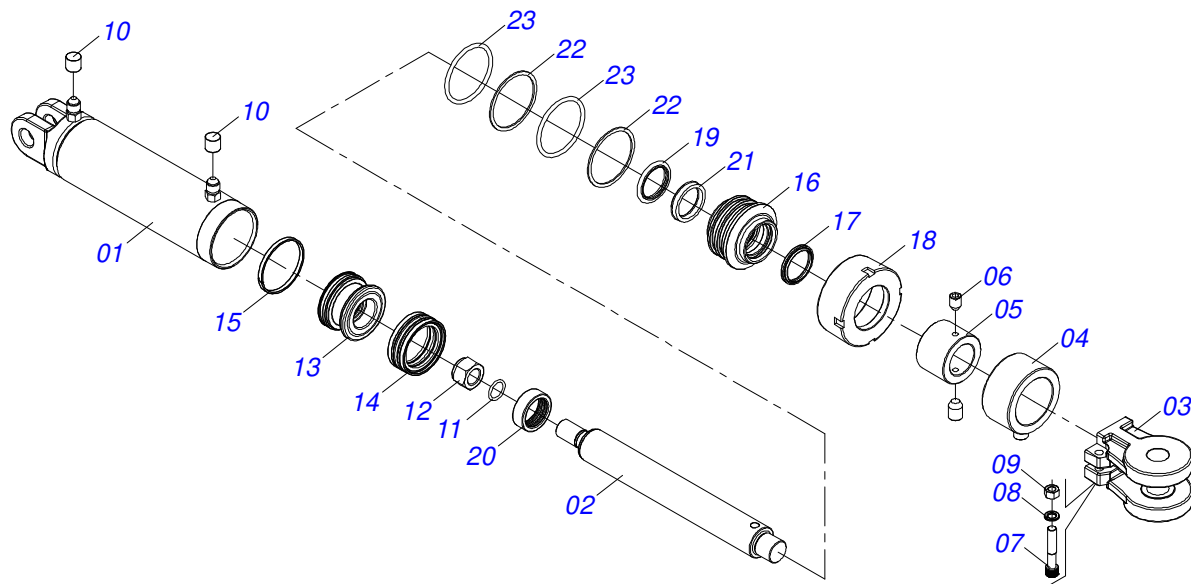
Item	Code	Description	See page	QT
28E	0501010059	1.5/8 NUT		08
29	0501043732	COMPLETE TRACTION BAR		01
29A	0501065478	TRACTION BAR		01
29B	0521062444	TRACTOR HITCH		01
29C	0501010191	1" X 6" BOLT		01
29D	0503011438	SPRING WASHER		01
29E	0501010059	1.5/8 NUT		01
29F	0503011084	3/4" X 5" BOLT		03
29G	0503011442	3/4" SPRING WASHER		03
29H	0503010014	3/4" ZN G.5 (HEAVY) UNC HEX NUT		03
29I	0521010576	0.9" X 3.7" COUPLING SHAFT		01
29J	0503010571	1/4" X 1.1/2" SPLIT PIN		01
30	0503060094	WHEEL AND TIRE ASSY	5	02
31	0501068579	FRONT CLEANER		09
32	0501068578	REAR CLEANER		10
33	0503010920	1/2 UNC X 1.1/2 C S G.5 ZN BOLT		38
34	0511017302	FLAT WASHER 13,50 X 32,50 X 3,0 ZN		38
35	0503010019	1/2" SPRING WASHER		42
36	0503010060	1/2 UNC G.5 ZN HEX NUT		42
37	0501040257	3/4" X 38" HOSE SUPPORT ASSY	6	01
38	0501040343	HITCH AXIS ASSY		01
38A	0501010523	DRAWBOLT		01
38B	0503031035	HITCH PIN CLIP		01
39	0501051064	HOSE KIT		01
39A	0501080410	3/8 X 5300 TC-TM HOSE		01
39B	0501080426	3/8" X 220" TC-TM HOSE ASSY		01
40	0501053834	MALE QUICK COUPLER	7	02
41	0502012702	BODY SUPPORT CLAMP		01
42	0503012555	7/16" UNC X 2" CS RT G.7 ZN SCREW		01
43	0503010180	7/16" SPRING WASHER		01
44	0521014258	LOCK BOLT		01
45	0501068994	8,30 X 78 LOCK PIN		01
46	0503030168	HITCH PIN CLIP		01
47	0503030403	1.85" X 2.87" BEATER		02
48	0501068273	5/8" WRENCH		01
49	0501061617	1" GANG BOLT WRENCH		01
50	0511018451	5/8" X 3/4" X 1" UNIVERSAL		01
51	0501010198	1-1/4" CABLE FLAT WRENCH		02
52	0503010002	1800 GREASE FITTING		02
53	0503031428	ATTENTION READ MANUAL DECAL		01
53.	0503034743	GDLCR ADHESIVE		02
53..	0503033647	APPROVED DECAL		01
53...	0503034355	EMBLEM		02
54	0503034004	ALUMINUM IDENTIFICATION DECAL		01
55	0503010001	RIVET 3,2 X 5,5		04
56	0511033336	PLASTIC COVER WITH INSTRUCTIONS MANUAL		01
57		DISC GANG ASSY	8	



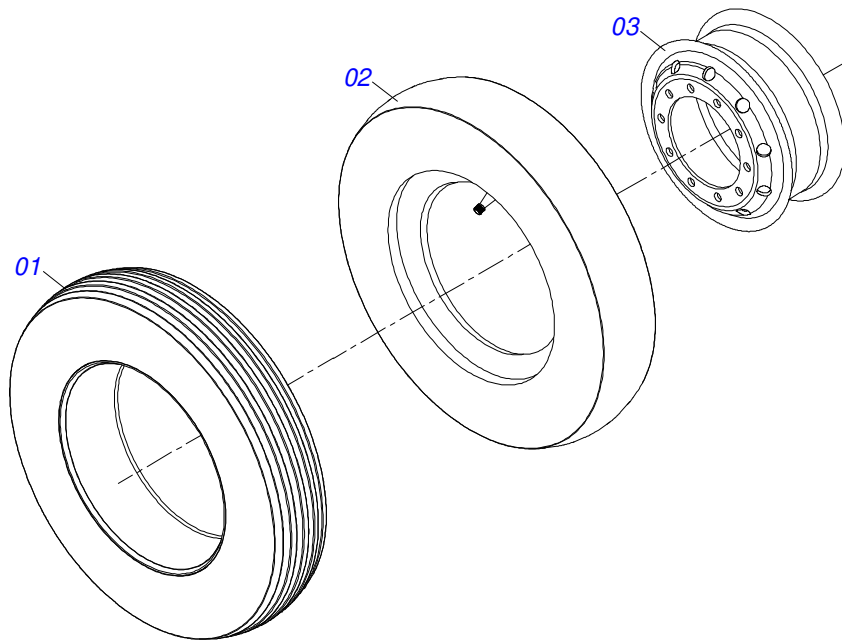
Item	Code	Description	See page	QT
01	0501051142	CARRYING WHEEL HUB	3	01
02	0521010821	2.5" X 16.5" AXLE		01
03	0501016545	FLAT WASHER		01
04	0503030009	1" CASTLE NUT		01
05	0503010018	5/32" X 1-1/2" SPLIT PIN		01
06	0502020591	PROTECTION LID		01
07	0503011444	SPRING WASHER 5/16"		04
08	0503010358	5/16" X 5/8" BOLT		04
09	0503010002	1800 GREASE FITTING		01



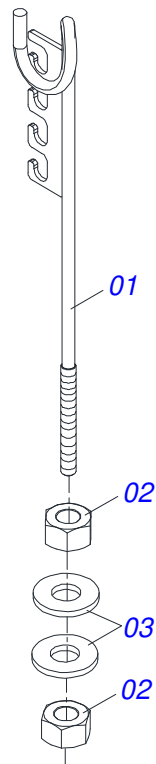
Item	Code	Description	See page	QT
01	0501110728	WHEEL HUB		01
01A	0502011121	CARRYING WHEEL HUB		01
01B	0501010127	9/16" X 1-7/8" LUG BOLT		06
01C	0503010035	9/16" CONIC NUT		06
02	0503010037	30207 ROLLER BEARING		01
03	0503010006	32210 ROLLER BEARING		01
04	0503012928	SEAL		01



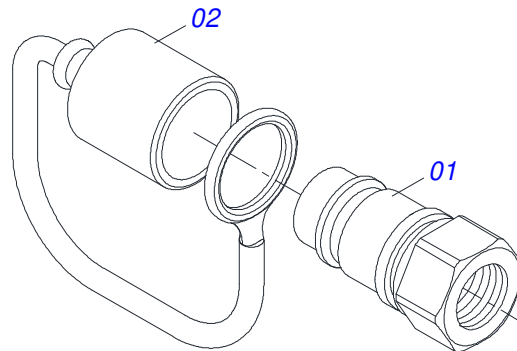
Item	Code	Description	See page	QT
01	0501064255	2.4" X 8" CYLINDER CASE		01
02	0521014292	1.7" X 15" TURNBUCLE WITH HOLES		01
03	0502040493	CLEVIS 26,50 R41		01
04	0511060370	CARRY-W REG OUTER BODY ASSY		01
05	0521014003	ADJUSTMENT INNER BODY CARRY-WHEEL		01
06	0503011148	3/8" X 1/2" BOLT		02
07	0503011094	BOLT 3/8" UNC X 2" C C S I 12.9		01
08	0503010025	3/8" SPRING WASHER		01
09	0503010026	3/8" NUT		01
10	0503030385	CYLINDER PLUG N-002		02
11	0503010042	2-214 N 3006-9B O'RING		01
12	0503010063	1" SELF-ALIGNING NUT		01
13	0571019710	1.7" X 3.4" PISTON		01
14	0503017935	RING		01
15	0503018144	RING		01
16	0571019711	RING SUPPORT		01
17	0503010761	D-1750 SCRAPER RING		01
18	0571019709	DETACHABLE COVER		01
19	0503017936	RING		01
20	0503017938	RING GUIDE		01
21	0503017937	GASKET		01
22	0503017940	8-337 BACK-UP RING		02
23	0503017939	2-337 N 3006-9B O' RING		02
24	0501031796	HYDRAULIC CYLINDER REPAIR KIT		01



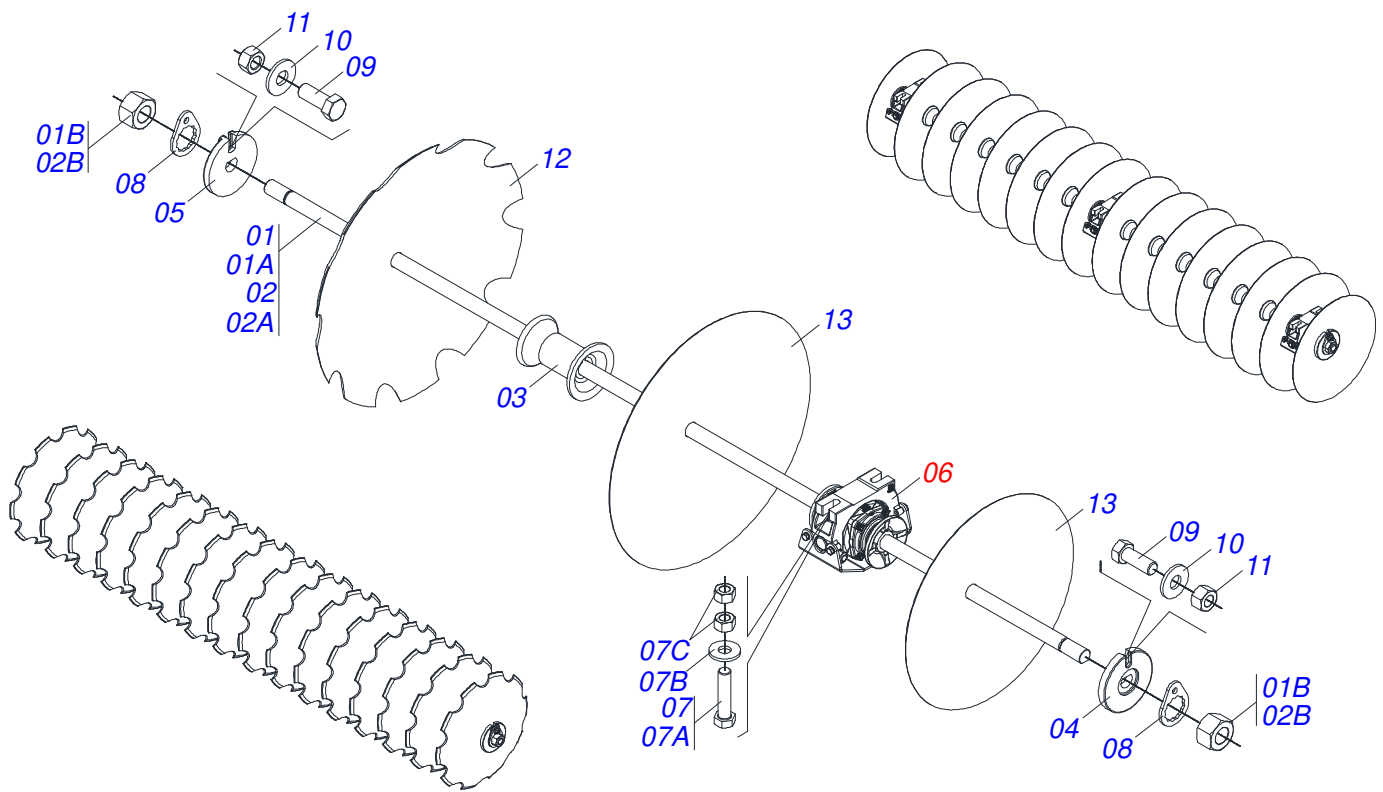
Item	Code	Description	See page	QT
01	0503010065	CANVAS TIRE		01
02	0503010068	6.00 X 16 INNER TIRE		01
03	0503010894	0.2"X0.6"X4.6"X6F0.6"X6" WHEEL		01



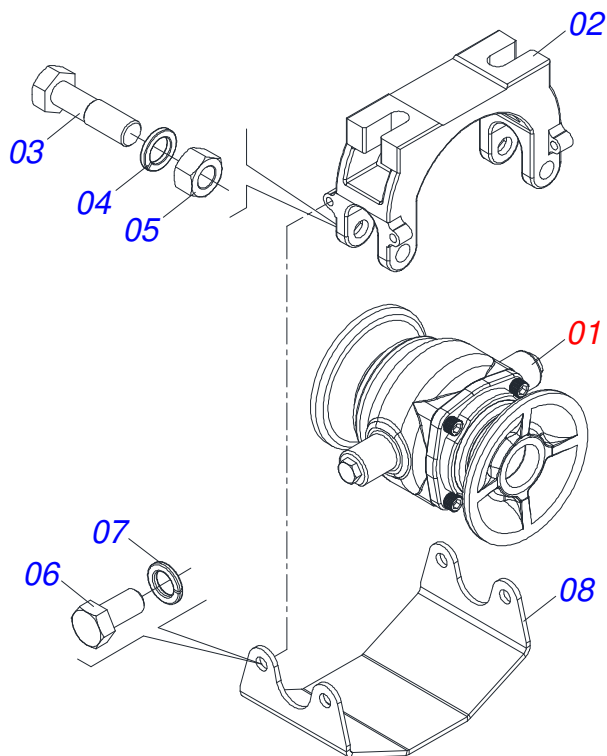
Item	Code	Description	See page	QT
01	0511067334	HOSE SUPPORT		01
02	0503010014	3/4" ZN G.5 (HEAVY) UNC HEX NUT		02
03	0501010322	20,50 X 46 X 4,00 ZN FLAT WASHER		02



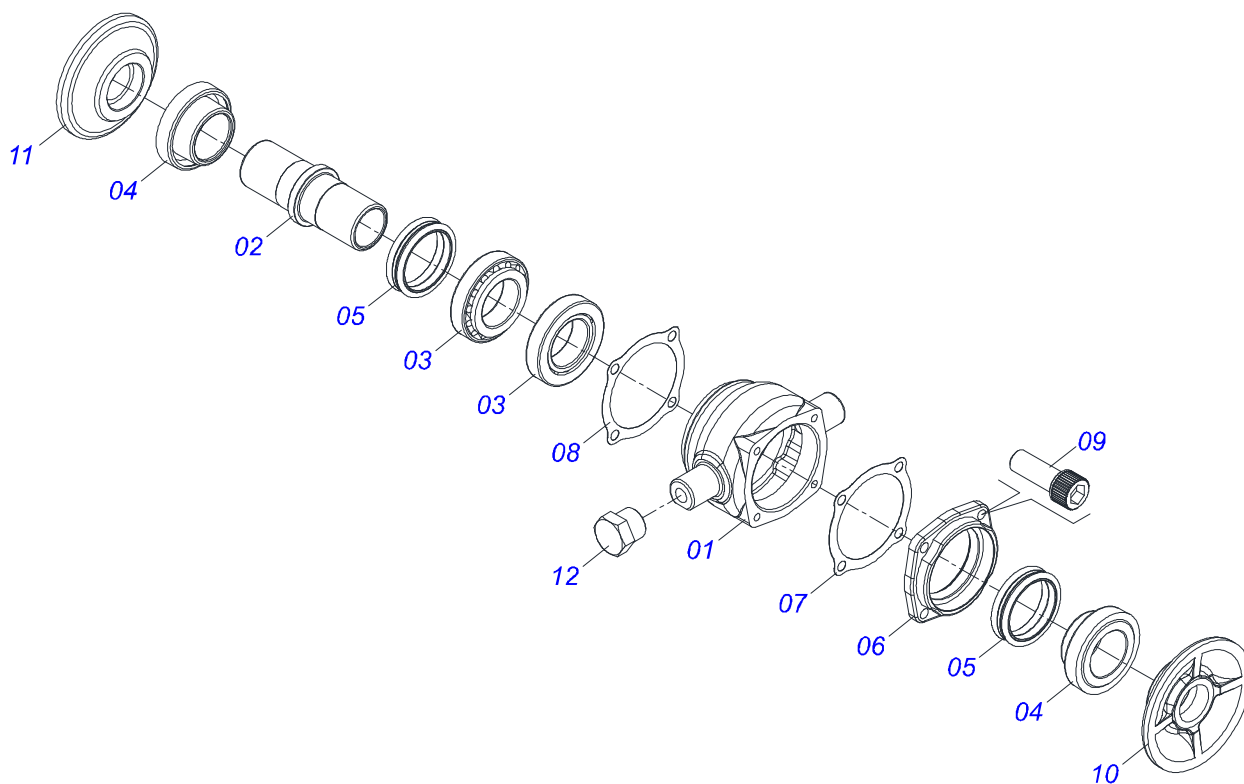
Item	Code	Description	See page	QT
01	0503011627	MALE QUICK COUPLER AGR 1/2 NPT		01
02	0503011882	MALE QUICK COUPLER CAP		01



Item	Code	Description	See page	QT
01	0501040253	1-1/4" X 80" AXLE WITH NUTS		01
01A	0501010440	1-1/4" X 80" AXLE		01
01B	0501010087	1.1/4" NUT		02
02	0501046982	1-1/4" X 86" AXLE WITH NUTS		01
02A	0511016479	1-1/4" X 86" AXLE		01
02B	0501010087	1.1/4" NUT		02
03	0502020068	6.57" SPACER		17
04	0502010834	1-1/4" INNER AXLE WASHER		02
05	0502010835	1-1/4" EXTERNAL AXLE WASHER		02
06	0521047188	182 X 1.1/4 DMO BEARING W/PROTECTION 9 SUPPORT	9	06
07	0521059224	BOLT ASSEMBLY 5/8 UNC X 2.3/4		12
07A	0501013233	5/8" X 2-3/4" BOLT		01
07B	0501012140	FLAT WASHER 16,50 X 40 X 4,00 ZN		01
07C	0503010013	5/8 UNC G.5 ZN HEX NUT		02
08	0501010455	1.1/4" NUT LOCK		04
09	0501010161	BOLT 1/2" UNC X 1.1/4" C S G.2 ZN		04
10	0511017302	FLAT WASHER 13,50 X 32,50 X 3,0 ZN		04
11	0503010060	1/2 UNC G.5 ZN HEX NUT		04
12	0602025265	DR18X3,5 C60AF02FR1.5/16 9REC TATU		10
12.	0602023108	DR16X3,5 C54AF02FR1.5/16 8R TATU		02
13	0601025255	DL18X3,5 C60AF02FR1.5/16 TATU		10
13.	0601023134	DL16X3,5 C54AF02FR1.5/16 TATU		02



Item	Code	Description	See page	QT
01	0521050841	AGRICULTURAL BEARING DMO 182 X 1.1/4	10	01
02	0502012854	BEARING SUPPORT 182/192,5		01
03	0501011541	5/8 UNC X 3 CS G.5 ZN1K28066 BOLT		02
04	0503010027	5/8 SPRING WASHER		02
05	0503010013	5/8 UNC G.5 ZN HEX NUT		02
06	0503011334	3/8 UNC X 3/4 CS G.5 ZN BOLT		04
07	0503010025	3/8" SPRING WASHER		04
08	0581014143	SWIVEL OIL BATH BEARING WEAR PLATE		01



Item	Code	Description	See page	QT
01	0502012839	BEARING HOUSING 182/192,5		01
02	0502040060	AXLE CM/DM 182/192,5 SKF 32210		01
03	0503010006	32210 ROLLER BEARING		02
04	0502010541	SEAL HOLDER		02
05	0503030026	SEAL LP JB-253		02
06	0502020424	HOUSING CAP 182/192,225		01
07	0503030013	4.4" X 3.5" X 0.004" JOINT		02
08	0503030684	4.4" X 3.5" X 0.004" JOINT		01
09	0503010134	3/8" X 1" BOLT		04
10	0502010073	OUTER FLANGE		01
11	0502010074	INNER FLANGE		01
12	0503010856	OIL PLUG R 3/8 BSPT		02



civemasa

Technical Publications | Elaboration and Revision
ALESSANDRA PATRICIA KAWAHARA CARRILI

www.civemasa.com.br

