

DISK HARROWS

GACCRL - 16/19/21/23/24/25/26/28/29D
GACCRL - 16/19/21/23/24/25/26/28/29D

Code: 0501093933
Series: S-0324
Revision: 00
Revision Date: SEPTEMBER/2024

PARTS
CATALOGUE

CIVEMASA




PRODUCTS

Code	Working Width	Description
0120700134		GACCRL 19X24X4,75 DR DMO E 1.1/2 S-0324
0120700135		GACCRL 21X24X4,75 DR DMO E 1.1/2 S-0324
0120700136		GACCRL 23X24X4,75 DR DMO E 1.1/2 S-0324
0120700137		GACCRL 24X26X4,75 DR DMO E 1.1/2 S-0324
0120700138		GACCRL 25X24X4,75 DR DMO E 1.1/2 S-0324
0120700139		GACCRL 25X24X4,75 DR DMO E 1.1/2 S-0324
0120700140		GACCRL 26X24X6 DR DMO C/ET E 1.1/2 S-0324
0120700141		GACCRL 29X24X4,75 DR DMO E 1.1/2 S-0324
0120700142		GACCRL 6009 16X24X4,75 DR DMO E 1.1/2 S-0324
0120700143		GACCRL 6009 21X24X4,75 DR DMO E 1.1/2 S-0324
0120700144		GACCRL 6009 23X24X4,75 DR DMO E 1.1/2 S-0324
0120700146		GACCRL 6009 28X24X4,75 DR DMO E 1.1/2 S-0324
0120700145		GACCRL 6009 28X24X6 DR DMO E 1.1/2 S-0324

ATTENTION: IMPORTANT

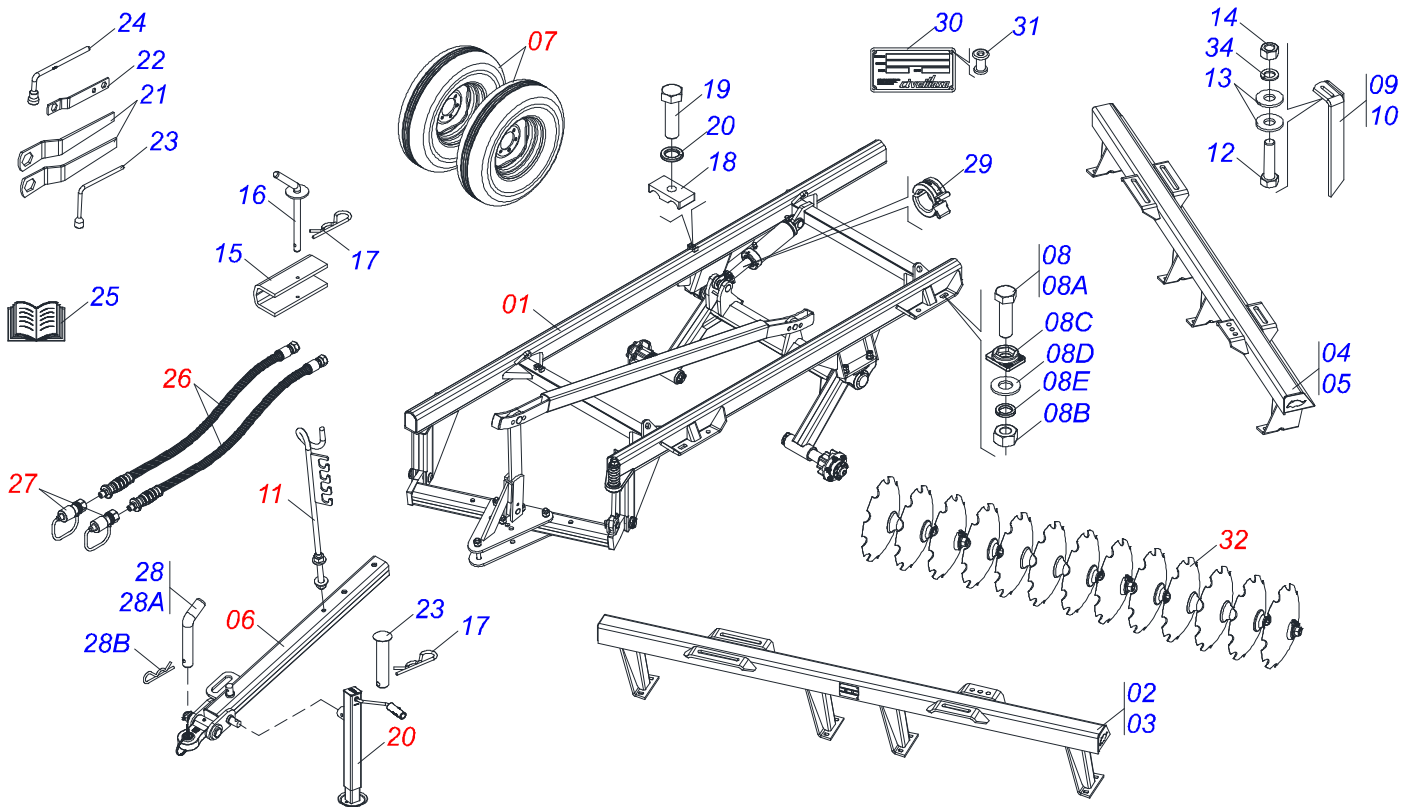
CIVEMASA reserves the right to improve and/or modify the technical features of its products, without obligation to do the same with those products already sold and without prior knowledge of the dealer or the customer. The photos are only illustrative.



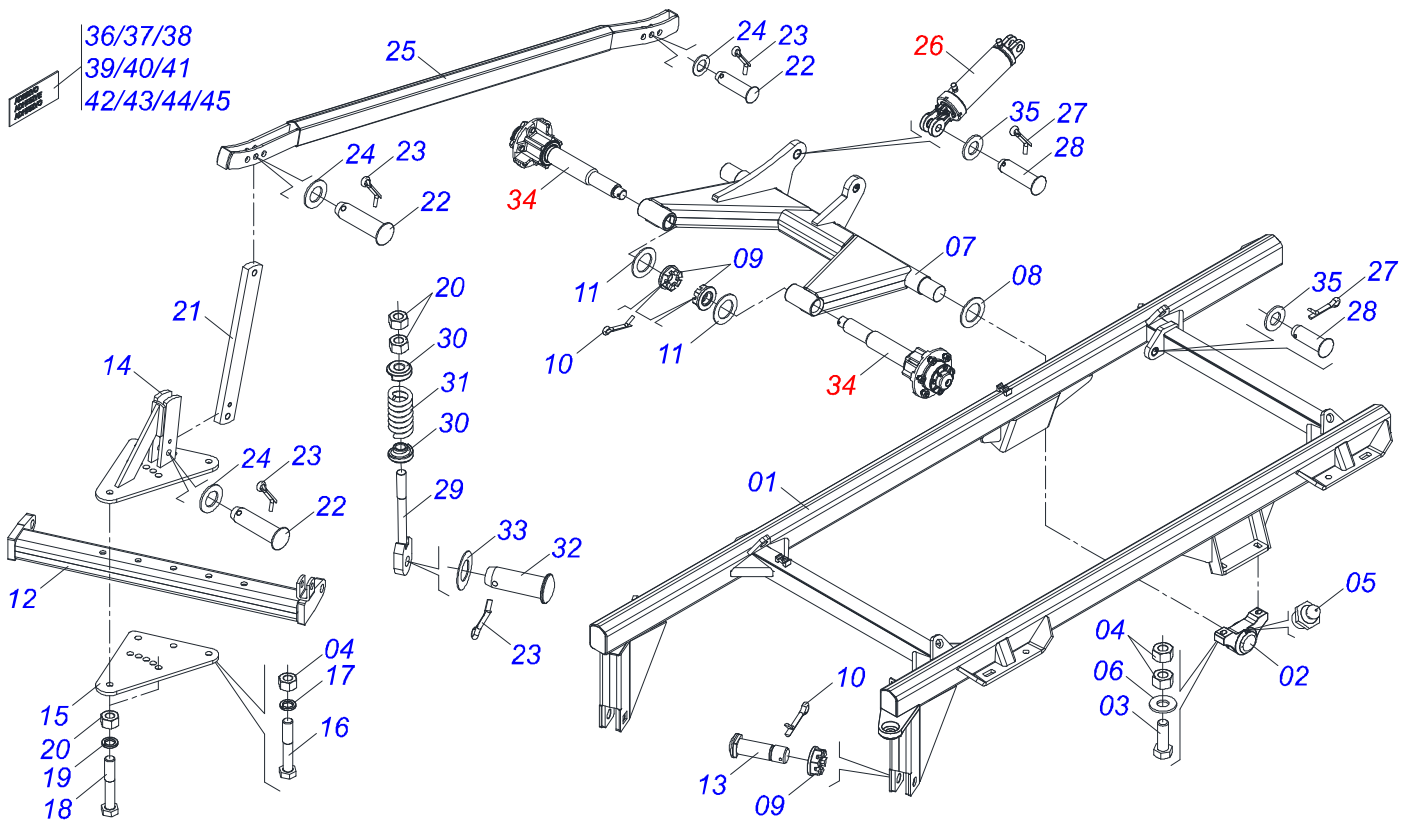
INDEX

0909097355	FRAME ASSY	1
0511049141	FRAME ASSY - 16D	2
0511049140	FRAME ASSY - 19/25D	3
0531040090	FRAME ASSY - 26D	4
0511049143	FRAME ASSY - 28/29D	5
0511058298	HYDRAULIC CYLINDER 44,45 X 85,7 X 515 X 203	6
0511059180	HYDRAULIC CYLINDER 50,80 X 101,60 X 515 X 203	7
0501051636	STUB SHAFT & HUB ASSY	8
0501051142	CARRYING WHEEL HUB	9
0501055300	WHEEL WITHOUT TIRE	10
0501041096	DRAWBAR ASSY	11
0501044596	DRAWBAR ASSY	12
0503060094	WHEEL AND TIRE ASSY	13
0503060091	L 29.5" X 0.63"-10L WHEEL AND TIRE ASSY	14
0501040257	3/4" X 38" HOSE SUPPORT ASSY	15
0503011360	HOSE KIT	16
0501053834	MALE QUICK COUPLER	17
0909097358	DISC GANG ASSY	18
0521047184	DMO 225 X 1.1/2 AGRICULTURAL BEARING	19
0521050837	DMO 225 X 1.1/2 IMP AGRICULTURAL BEARING	20

FRAME ASSY

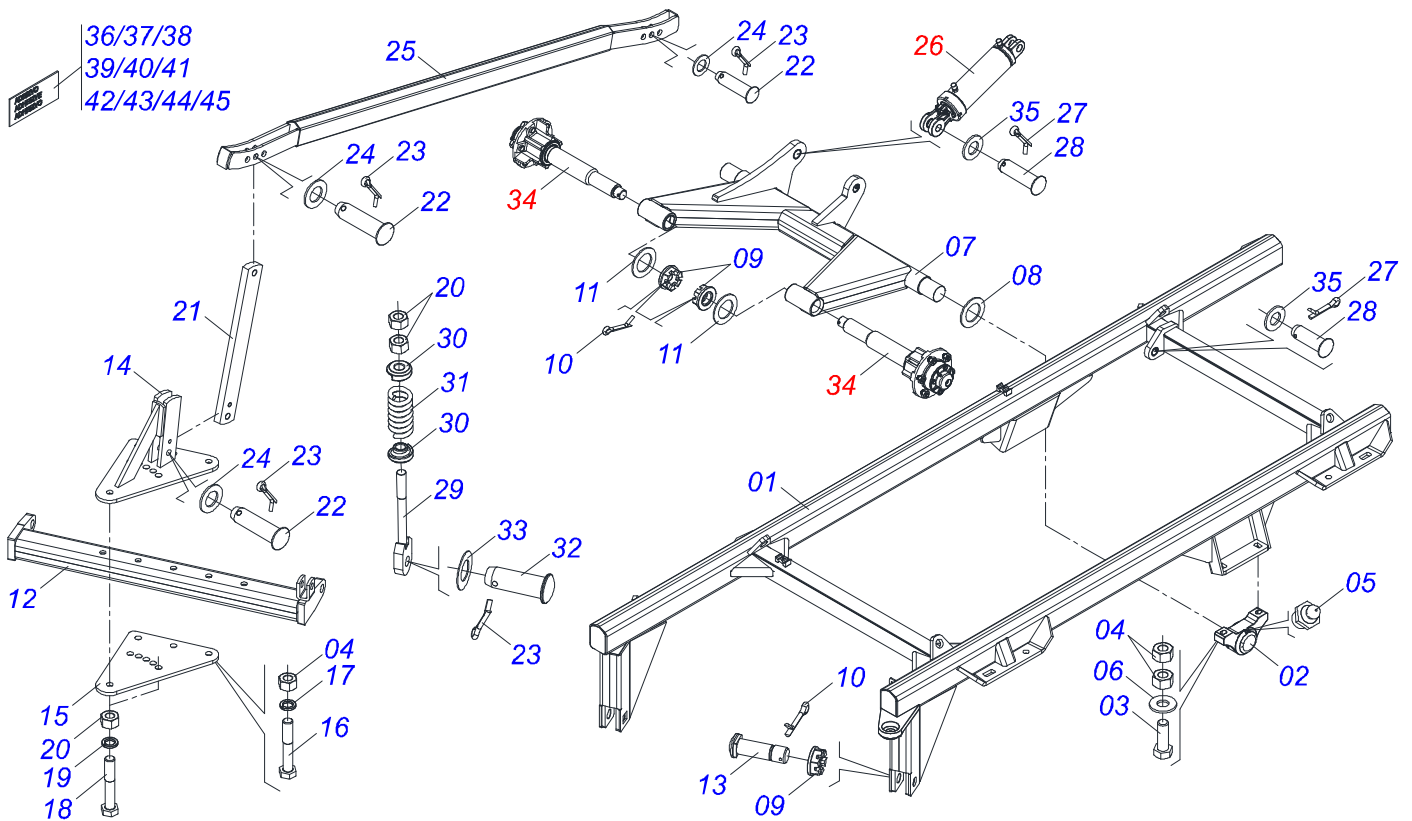


Item	Code	Description	See page	16	19	21	23	24	25	26	28	29
01	0511049141	FRAME ASSY - 16D	2	01	00	00	00	00	00	00	00	00
01.	0511049140	FRAME ASSY - 19/25D	3	00	01	01	01	01	01	00	00	00
01..	0531040090	FRAME ASSY - 26D	4	00	00	00	00	00	00	01	00	00
01...	0511049143	FRAME ASSY - 28/29D	5	00	00	00	00	00	00	00	01	01
02	0521067516	FRONT FRAME - 16D		01	00	00	00	00	00	00	00	00
02.	0501065312	FRONT FRAME - 19D		00	01	00	00	00	00	00	00	00
02..	0511069176	FRONT FRAME - 21D		00	00	01	00	00	00	00	00	00
02...	0521067541	FRONT FRAME - 23D		00	00	00	01	00	00	00	00	00
03	0521060098	FRONT FRAME - 24/25D		00	00	00	00	01	01	00	00	00
03.	0531061013	FRONT FRAME - 26D		00	00	00	00	00	00	01	00	00
03..	0521063494	FRONT FRAME - 28/29D		00	00	00	00	00	00	00	01	01
04	0521067517	REAR FRAME - 16D		01	00	00	00	00	00	00	00	00
04.	0501068747	REAR FRAME - 19D		00	01	00	00	00	00	00	00	00
04..	0501068750	REAR FRAME - 21D		00	00	01	00	00	00	00	00	00
04...	0511069401	REAR FRAME - 23D		00	00	00	01	00	00	00	00	00
04....	0521067508	REAR FRAME - 24D		00	00	00	00	01	00	00	00	00
05	0521060099	REAR FRAME - 25D		00	00	00	00	00	01	00	00	00
05.	0531061015	REAR FRAME - 26D		00	00	00	00	00	00	01	00	00
05..	0531062249	REAR CHASSIS - 28D		00	00	00	00	00	00	00	01	00
05...	0521063495	REAR FRAME - 29D		00	00	00	00	00	00	00	00	01
06	0501041096	DRAWBAR ASSY	11	01	01	01	01	01	01	00	01	01
06.	0501044596	DRAWBAR ASSY	12	00	00	00	00	00	00	01	00	00
07	0503060094	WHEEL AND TIRE ASSY	13	02	00	00	00	00	00	00	00	00
07.	0503060091	L 29.5" X 0.63"-10L WHEEL AND TIRE ASSY	14	00	02	02	02	02	02	02	02	02
08	0501040877	C1" X 3-1/4" BOLT ASSY		08	08	08	08	08	08	08	08	08
08A	0501010171	BOLT 1 UNC X 3.1/2 C S G.5		01	01	01	01	01	01	01	01	01
08B	0501010059	1.5/8 NUT		01	01	01	01	01	01	01	01	01
08C	0502012861	1" SQUARE WASHER		01	01	01	01	01	01	01	01	01
08D	0501010065	1" SPRING WASHER		01	01	01	01	01	01	01	01	01
08E	0503010012	1" SPRING WASHER		01	01	01	01	01	01	01	01	01
09	0501064168	FRONT SCRAPER		04	05	06	06	07	07	08	09	09
09.	0501066449	CLEANER FRONT		02	03	03	03	04	04	04	04	04



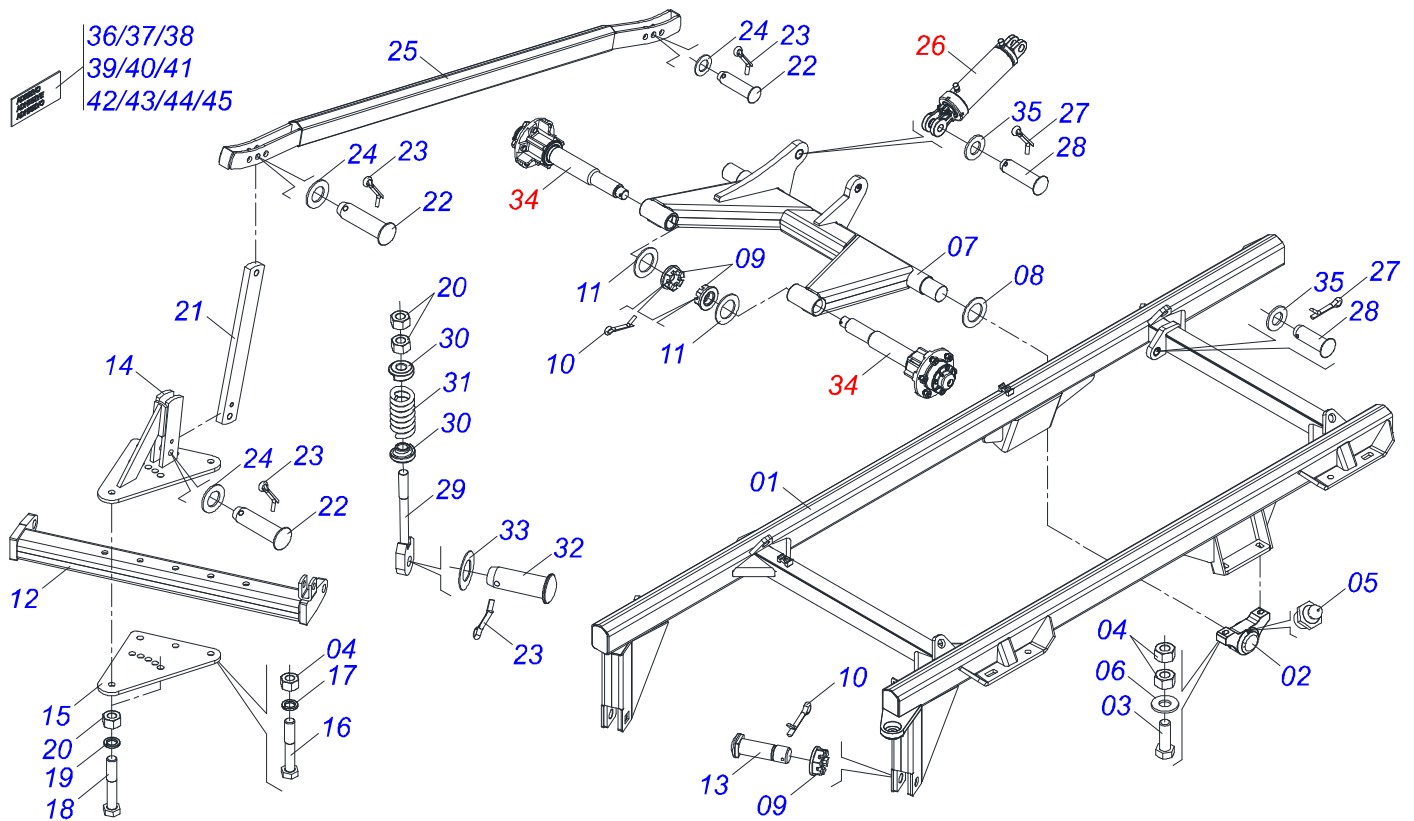
Item	Code	Description	See page	QT
01	0521067519	FRAME		01
02	0501110856	ARTICULATION BEARING		02
03	0503010797	3/4" X 4" BOLT		04
04	0503010014	3/4" ZN G.5 (HEAVY) UNC HEX NUT		11
05	0503010002	1800 GREASE FITTING		02
06	0501010322	20,50 X 46 X 4,00 ZN FLAT WASHER		04
07	0501066950	CARRYING-WHEELS		01
08	0501017579	FLAT WASHER		02
09	0501011301	1.1/2" UNC 6FPP 2.5/16" NUT		04
10	0503010010	1/4" X 2.1/2" SPLIT PIN		04
11	0511019880	FLAT WASHER		02
12	0501060370	OFFSET BAR		01
13	0521017538	11-1/2" X 5" COUPLING SHAFT		02
14	0501066099	UPPER PLATE WITH SUPPORT		01
15	0501010241	UPPER /LOWER PLATE		01
16	0503011198	BOLT 3/4" UNC X 6" CS G.5		03
17	0503011442	3/4" SPRING WASHER		03
18	0501010060	1" X 6-1/2" BOLT		02
19	0503011438	SPRING WASHER		02
20	0501010059	1.5/8 NUT		04
21	0511012972	STABILIZER BAR TOWER		01
22	0521010576	0.9" X 3.7" COUPLING SHAFT		03
23	0503010571	1/4" X 1.1/2" SPLIT PIN		04
24	0501011445	FLAT WASHER		03
25	0511066932	STABILIZER BAR		01
26	0511058298	HYDRAULIC CYLINDER 44,45 X 85,7 X 515 X 203	6	01
27	0503010523	1/4 X 2 SPLIT PIN		02
28	0521010779	31.75 X 95 COUPLING SHAFT		02
29	0501064698	SPRING ROD		01
30	1902020392	SPRING SUPPORT		02
31	0503030441	12.7" X 5.7" X 0.5"SPRING		01
32	0521010592	1.1" X 3.1" COUPLING SHAFT		01

Item	Code	Description	See page	QT
33	0561011883	FLAT WASHER		01
34	0501051636	STUB SHAFT & HUB ASSY	8	02
35	0501017779	FLAT WASHER 32 X 60 X 4,75		02
36	0503031428	ATTENTION READ MANUAL DECAL		01
37	0503033647	APPROVED DECAL		01
38	0503031827	DAILY LUBRICATION AND RETIGHTENING DECAL		01
39	0503032240	BADGE		02
40	0503033246	CIVEMASA LOGO DECAL		02
41	0503034499	HOSE IDENTIFICATION DECAL		01
42	0503034078	LIFTING POINTS DECAL		03
43	0503031738	WARNING DECAL		01
44	0503033038	DANGER DECAL		01
45	0503031739	DANGER DECAL		01



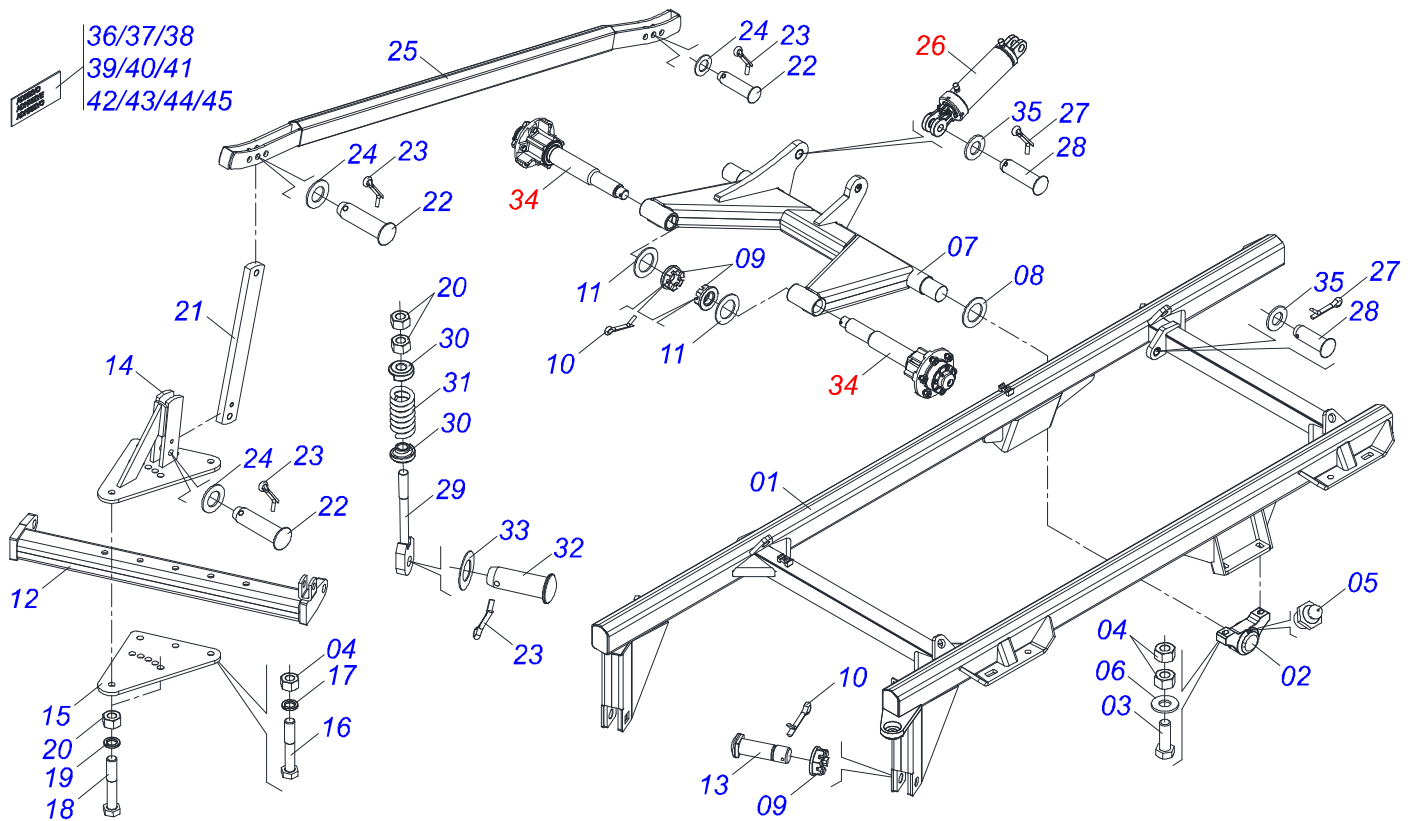
Item	Code	Description	See page	QT
01	0511069787	FRAME		01
02	0501110856	ARTICULATION BEARING		02
03	0503010797	3/4" X 4" BOLT		04
04	0503010014	3/4" ZN G.5 (HEAVY) UNC HEX NUT		11
05	0503010002	1800 GREASE FITTING		02
06	0501010322	20,50 X 46 X 4,00 ZN FLAT WASHER		04
07	0501065518	CARRYING-WHEELS		01
08	0501017579	FLAT WASHER		02
09	0501011301	1.1/2" UNC 6FPP 2.5/16" NUT		04
10	0503010010	1/4" X 2.1/2" SPLIT PIN		04
11	0511019880	FLAT WASHER		02
12	0501063260	OFFSET BAR		01
13	0521017538	11-1/2" X 5" COUPLING SHAFT		02
14	0501066099	UPPER PLATE WITH SUPPORT		01
15	0501010241	UPPER /LOWER PLATE		01
16	0503011198	BOLT 3/4" UNC X 6" CS G.5		03
17	0503011442	3/4" SPRING WASHER		03
18	0501010060	1" X 6-1/2" BOLT		02
19	0503011438	SPRING WASHER		02
20	0501010059	1.5/8 NUT		04
21	0511012972	STABILIZER BAR TOWER		01
22	0521010576	0.9" X 3.7" COUPLING SHAFT		03
23	0503010571	1/4" X 1.1/2" SPLIT PIN		04
24	0501011445	FLAT WASHER		03
25	0511066932	STABILIZER BAR		01
26	0511059180	HYDRAULIC CYLINDER 50,80 X 101,60 X 515 X 203	7	01
27	0503010523	1/4 X 2 SPLIT PIN		02
28	0521010779	31.75 X 95 COUPLING SHAFT		02
29	0501064698	SPRING ROD		01
30	1902020392	SPRING SUPPORT		02
31	0503030441	12.7" X 5.7" X 0.5" SPRING		01
32	0521010592	1.1" X 3.1" COUPLING SHAFT		01

Item	Code	Description	See page	QT
33	0561011883	FLAT WASHER		01
34	0501055300	WHEEL WITHOUT TIRE	10	02
35	0501017779	FLAT WASHER 32 X 60 X 4,75		02
36	0503031428	ATTENTION READ MANUAL DECAL		01
37	0503033647	APPROVED DECAL		01
38	0503031827	DAILY LUBRICATION AND RETIGHTENING DECAL		01
39	0503032240	BADGE		02
40	0503033246	CIVEMASA LOGO DECAL		02
41	0503034499	HOSE IDENTIFICATION DECAL		01
42	0503034078	LIFTING POINTS DECAL		03
43	0503031738	WARNING DECAL		01
44	0503033038	DANGER DECAL		01
45	0503031739	DANGER DECAL		01



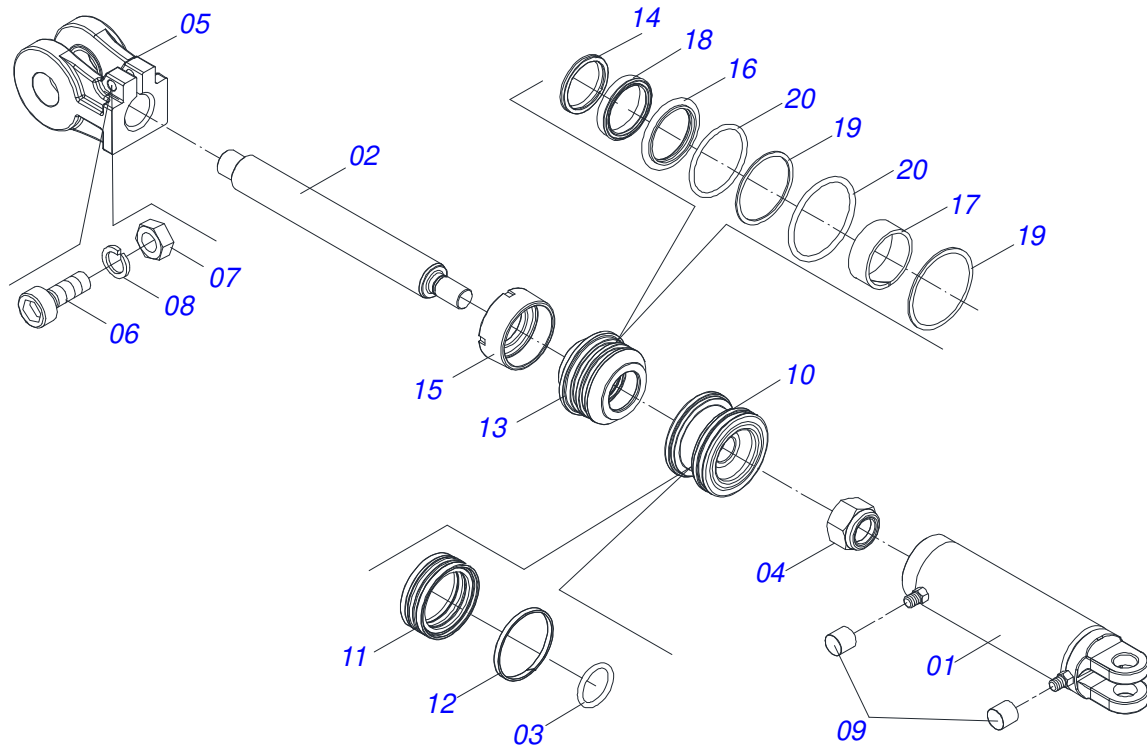
Item	Code	Description	See page	QT
01	0531061016	FRAME		01
02	0501110856	ARTICULATION BEARING		02
03	0503010797	3/4" X 4" BOLT		04
04	0503010014	3/4" ZN G.5 (HEAVY) UNC HEX NUT		11
05	0503010002	1800 GREASE FITTING		02
06	0501010322	20,50 X 46 X 4,00 ZN FLAT WASHER		04
07	0501065518	CARRYING-WHEELS		01
08	0501017579	FLAT WASHER		02
09	0501011301	1.1/2" UNC 6FPP 2.5/16" NUT		04
10	0503010010	1/4" X 2.1/2" SPLIT PIN		04
11	0511019880	FLAT WASHER		02
12	0501063260	OFFSET BAR		01
13	0521017538	11-1/2" X 5" COUPLING SHAFT		02
14	0501066099	UPPER PLATE WITH SUPPORT		01
15	0501010241	UPPER /LOWER PLATE		01
16	0503011198	BOLT 3/4" UNC X 6" CS G.5		03
17	0503011442	3/4" SPRING WASHER		03
18	0501010060	1" X 6-1/2" BOLT		02
19	0503011438	SPRING WASHER		02
20	0501010059	1.5/8 NUT		04
21	0511012972	STABILIZER BAR TOWER		01
22	0521010576	0.9" X 3.7" COUPLING SHAFT		03
23	0503010571	1/4" X 1.1/2" SPLIT PIN		04
24	0501011445	FLAT WASHER		03
25	0511066932	STABILIZER BAR		01
26	0511059180	HYDRAULIC CYLINDER 50,80 X 101,60 X 515 X 203	7	01
27	0503010523	1/4 X 2 SPLIT PIN		02
28	0521010779	31.75 X 95 COUPLING SHAFT		02
29	0501064698	SPRING ROD		01
30	1902020392	SPRING SUPPORT		02
31	0503030441	12.7" X 5.7" X 0.5" SPRING		01
32	0521010592	1.1" X 3.1" COUPLING SHAFT		01

Item	Code	Description	See page	QT
33	0561011883	FLAT WASHER		01
34	0501055300	WHEEL WITHOUT TIRE	10	02
35	0501017779	FLAT WASHER 32 X 60 X 4,75		02
36	0503031428	ATTENTION READ MANUAL DECAL		01
37	0503033647	APPROVED DECAL		01
38	0503031827	DAILY LUBRICATION AND RETIGHTENING DECAL		01
39	0503032240	BADGE		02
40	0503033246	CIVEMASA LOGO DECAL		02
41	0503034499	HOSE IDENTIFICATION DECAL		01
42	0503034078	LIFTING POINTS DECAL		03
43	0503031738	WARNING DECAL		01
44	0503033038	DANGER DECAL		01
45	0503031739	DANGER DECAL		01

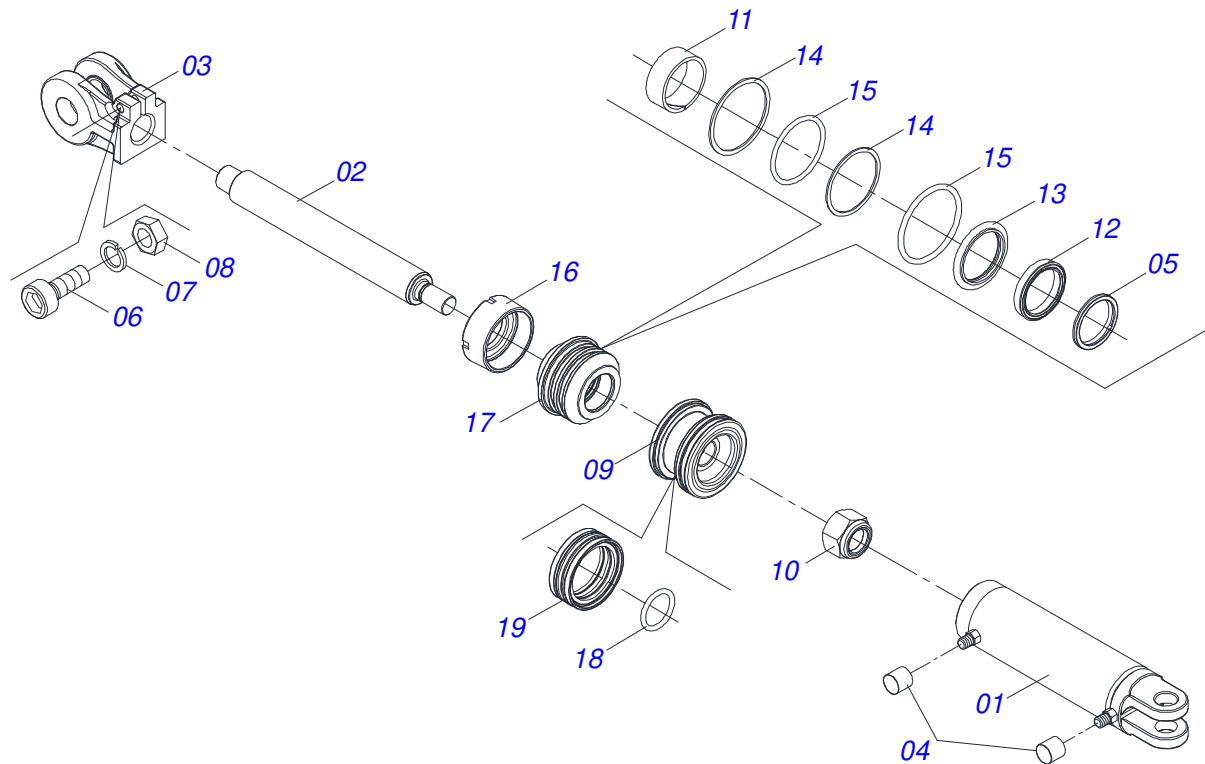


Item	Code	Description	See page	QT
01	0531061016	FRAME		01
02	0501110856	ARTICULATION BEARING		02
03	0503010797	3/4" X 4" BOLT		04
04	0503010014	3/4" ZN G.5 (HEAVY) UNC HEX NUT		11
05	0503010002	1800 GREASE FITTING		02
06	0501010322	20,50 X 46 X 4,00 ZN FLAT WASHER		04
07	0501065518	CARRYING-WHEELS		01
08	0501017579	FLAT WASHER		02
09	0501011301	1.1/2" UNC 6FPP 2.5/16" NUT		04
10	0503010010	1/4" X 2.1/2" SPLIT PIN		04
11	0511019880	FLAT WASHER		02
12	0501063260	OFFSET BAR		01
13	0521017538	11-1/2" X 5" COUPLING SHAFT		02
14	0501066099	UPPER PLATE WITH SUPPORT		01
15	0501010241	UPPER /LOWER PLATE		01
16	0503011198	BOLT 3/4" UNC X 6" CS G.5		03
17	0503011442	3/4" SPRING WASHER		03
18	0501010060	1" X 6-1/2" BOLT		02
19	0503011438	SPRING WASHER		02
20	0501010059	1.5/8 NUT		04
21	0511012972	STABILIZER BAR TOWER		01
22	0521010576	0.9" X 3.7" COUPLING SHAFT		03
23	0503010571	1/4" X 1.1/2" SPLIT PIN		04
24	0501011445	FLAT WASHER		03
25	0511066932	STABILIZER BAR		01
26	0511059180	HYDRAULIC CYLINDER 50,80 X 101,60 X 515 X 203	7	01
27	0503010523	1/4 X 2 SPLIT PIN		02
28	0521010779	31.75 X 95 COUPLING SHAFT		02
29	0501064698	SPRING ROD		01
30	1902020392	SPRING SUPPORT		02
31	0503030441	12.7" X 5.7" X 0.5" SPRING		01
32	0521010592	1.1" X 3.1" COUPLING SHAFT		01

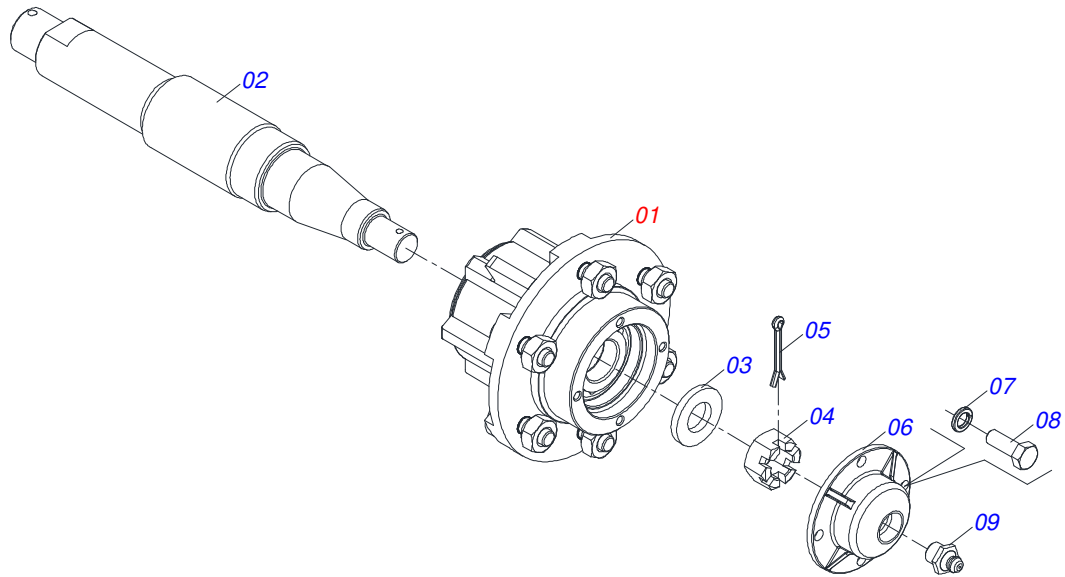
Item	Code	Description	See page	QT
33	0561011883	FLAT WASHER		01
34	0501055300	WHEEL WITHOUT TIRE	10	02
35	0501017779	FLAT WASHER 32 X 60 X 4,75		02
36	0503031428	ATTENTION READ MANUAL DECAL		01
37	0503033647	APPROVED DECAL		01
38	0503031827	DAILY LUBRICATION AND RETIGHTENING DECAL		01
39	0503032240	BADGE		02
40	0503033246	CIVEMASA LOGO DECAL		02
41	0503034499	HOSE IDENTIFICATION DECAL		01
42	0503034078	LIFTING POINTS DECAL		03
43	0503031738	WARNING DECAL		01
44	0503033038	DANGER DECAL		01
45	0503031739	DANGER DECAL		01



Item	Code	Description	See page	QT
01	0511061588	3.4" X 16" CYLINDER CASE		01
02	0521010421	HYDRAULIC CYLINDER TURNBUCKLE		01
03	0503010042	2-214 N 3006-9B O'RING		01
04	0503010063	1" SELF-ALIGNING NUT		01
05	0502040747	32.54 CLEVIS CLAMP		01
06	0503011094	BOLT 3/8" UNC X 2" C C S I 12.9		01
07	0503010026	3/8" NUT		01
08	0503010025	3/8" SPRING WASHER		01
09	0503030385	CYLINDER PLUG N-002		02
10	0571019710	1.7" X 3.4" PISTON		01
11	0503017935	RING		01
12	0503018144	RING		01
13	0571019711	RING SUPPORT		01
14	0503010761	D-1750 SCRAPER RING		01
15	0571019709	DETACHABLE COVER		01
16	0503017936	RING		01
17	0503017938	RING GUIDE		01
18	0503017937	GASKET		01
19	0503017940	8-337 BACK-UP RING		02
20	0503017939	2-337 N 3006-9B O' RING		02

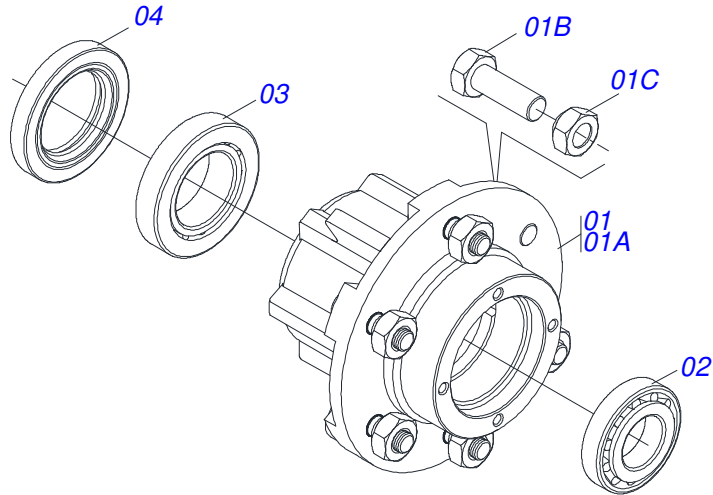


Item	Code	Description	See page	QT
01	0511070658	CYLINDER CASE 101,6 X 394		01
02	0571019958	HYDRAULIC CYLINDER TURNBUCKLE		01
03	0502040747	32.54 CLEVIS CLAMP		01
04	0503030385	CYLINDER PLUG N-002		02
05	0503010039	D-2000 SCRAPER RING		01
06	0503011094	BOLT 3/8" UNC X 2" C C S I 12.9		01
07	0503011443	SPRING WASHER 3/8"		01
08	0503010026	3/8" NUT		01
09	0502012820	2" X 4" PISTON		01
10	0503010817	1.1/4" SELF LOCKING NUT		01
11	0503018025	RING GUIDE W2-2250-750		01
12	0503018026	GASKET 1870-2000-375 B POLYMAX		01
13	0503018024	RING BS OD050805200171D-BR		01
14	0503011061	8-342 BACK-UP RING		02
15	0503010338	2-342 N 3006-9B O'RING		02
16	0502012822	END CAP 4"		01
17	0502012821	2" X 4" RING SUPPORT		01
18	0503018029	O'RING 2-217 N 3006 90B		01
19	0503015633	SELEMASTER SEALING		01



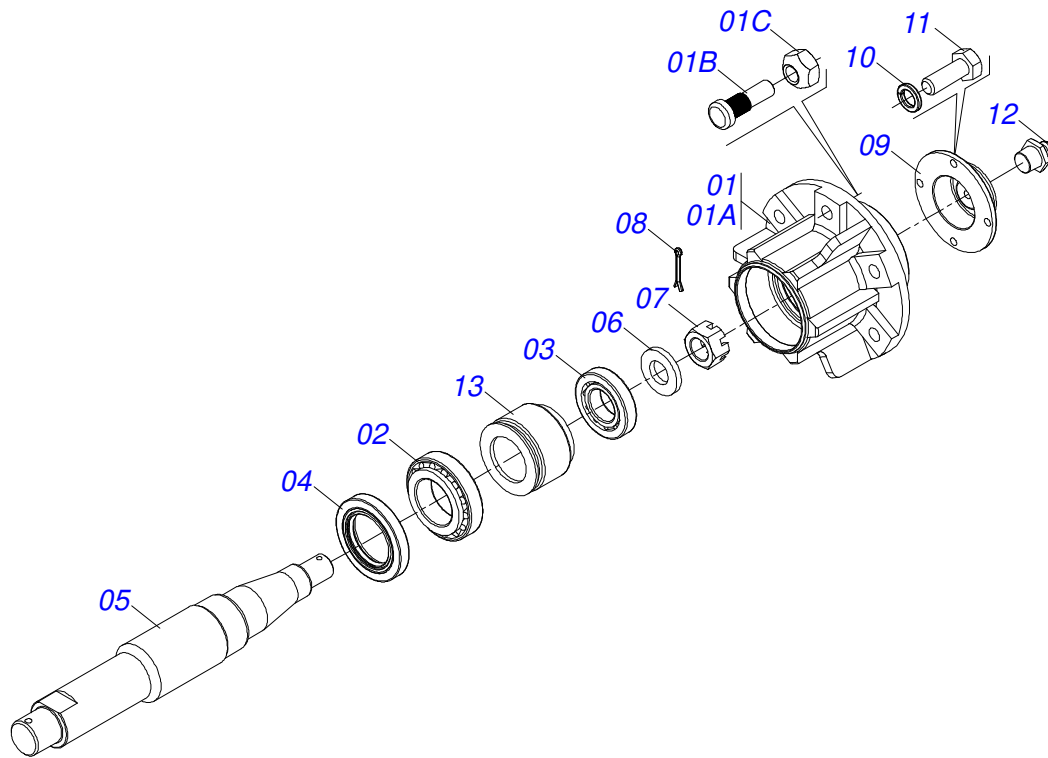
Item	Code	Description	See page	QT
01	0501051142	CARRYING WHEEL HUB	9	01
02	0521010822	AXLE 63,5 X 520		01
03	0501016545	FLAT WASHER		01
04	0503030009	1" CASTLE NUT		01
05	0503010018	5/32" X 1-1/2" SPLIT PIN		01
06	0502020591	PROTECTION LID		01
07	0503011444	SPRING WASHER 5/16"		04
08	0503010358	5/16" X 5/8" BOLT		04
09	0503010002	1800 GREASE FITTING		01

CARRYING WHEEL HUB



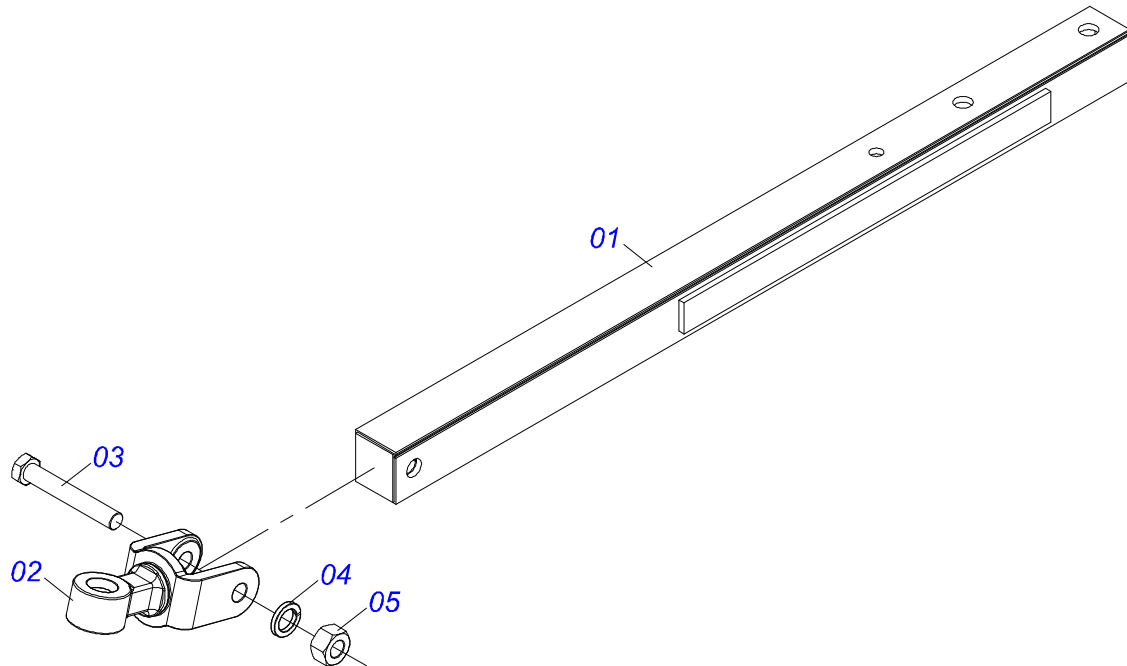
Item	Code	Description	See page	QT
01	0501110728	WHEEL HUB		01
01A	0502011121	CARRYING WHEEL HUB		01
01B	0501010127	9/16" X 1-7/8" LUG BOLT		06
01C	0503010035	9/16" CONIC NUT		06
02	0503010037	30207 ROLLER BEARING		01
03	0503010006	32210 ROLLER BEARING		01
04	0503012928	SEAL		01

WHEEL WITHOUT TIRE

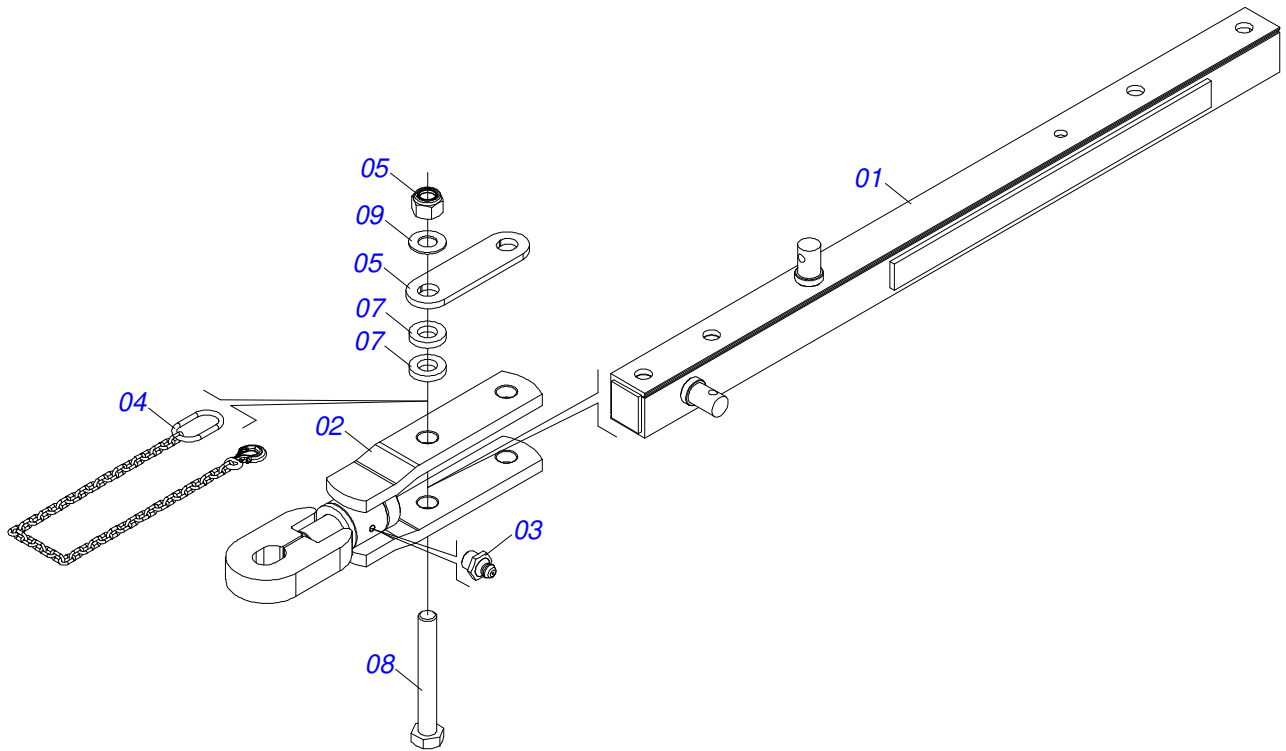


Item	Code	Description	See page	QT
01	0501110728	WHEEL HUB		01
01A	0502011121	CARRYING WHEEL HUB		01
01B	0501010127	9/16" X 1-7/8" LUG BOLT		06
01C	0503010035	9/16" CONIC NUT		06
02	0503012171	32210 ROLLER BEARING		01
03	0503012170	30207 ROLLER BEARING		01
04	0503012928	SEAL		01
05	0521010821	2.5" X 16.5" AXLE		01
06	0501016545	FLAT WASHER		01
07	0503030009	1" CASTLE NUT		01
08	0503010018	5/32" X 1-1/2" SPLIT PIN		01
09	0502020591	PROTECTION LID		01
10	0503011444	SPRING WASHER 5/16"		04
11	0503010358	5/16" X 5/8" BOLT		04
12	0503010002	1800 GREASE FITTING		01
13	1882970002	GREASE		00

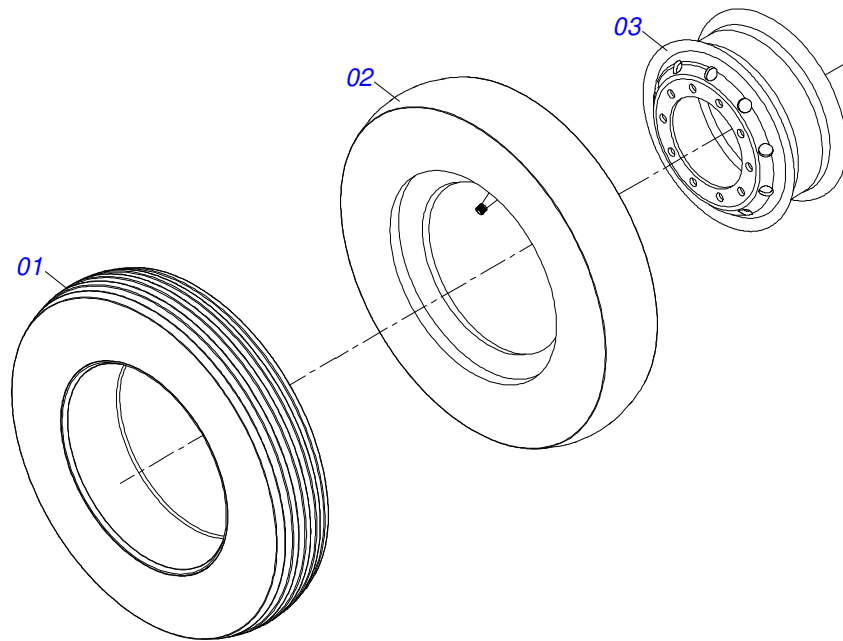
DRAWBAR ASSY



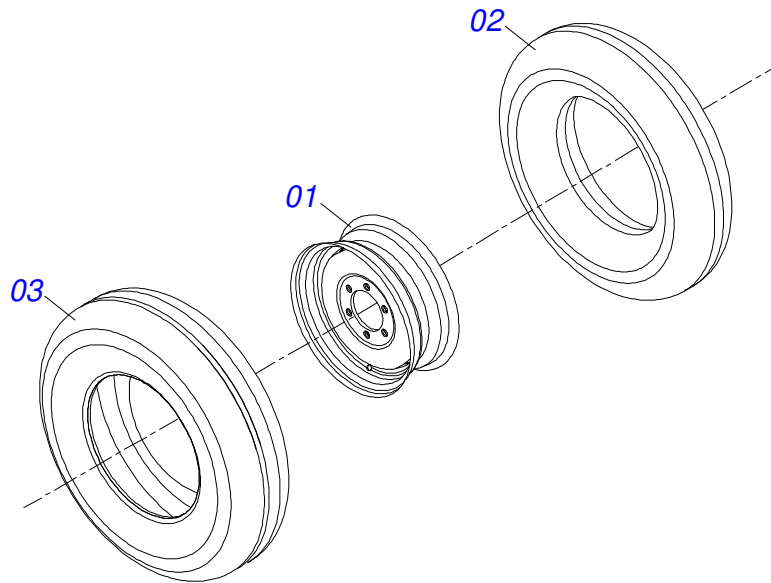
Item	Code	Description	See page	QT
01	0501060188	DRAWBAR ASSY		01
02	0521061775	TRACTOR HITCH		01
03	0501010060	1" X 6-1/2" BOLT		01
04	0503011438	SPRING WASHER		01
05	0501010059	1.5/8 NUT		01



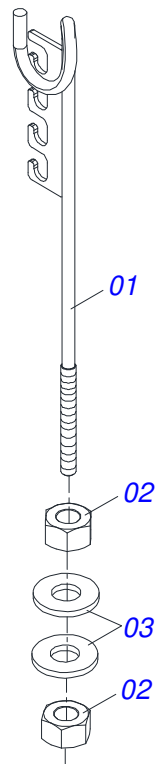
Item	Code	Description	See page	QT
01	0501066559	DRAWBAR		01
02	0501066560	TRACTOR HITCH		01
03	0503010002	1800 GREASE FITTING		01
04	0503019567	SECURITY CHAIN 1300 X 5/16 WITH HOOK / RING		01
05	0591014183	CURRENT FIXING PLATE		01
06	0503018754	NUT 1 - 8 UNC - 2B G8		02
07	0521012087	FLAT WASHER		04
08	0501010219	1" X 7-1/2" BOLT		02
09	0551014872	FLAT WASHER		02



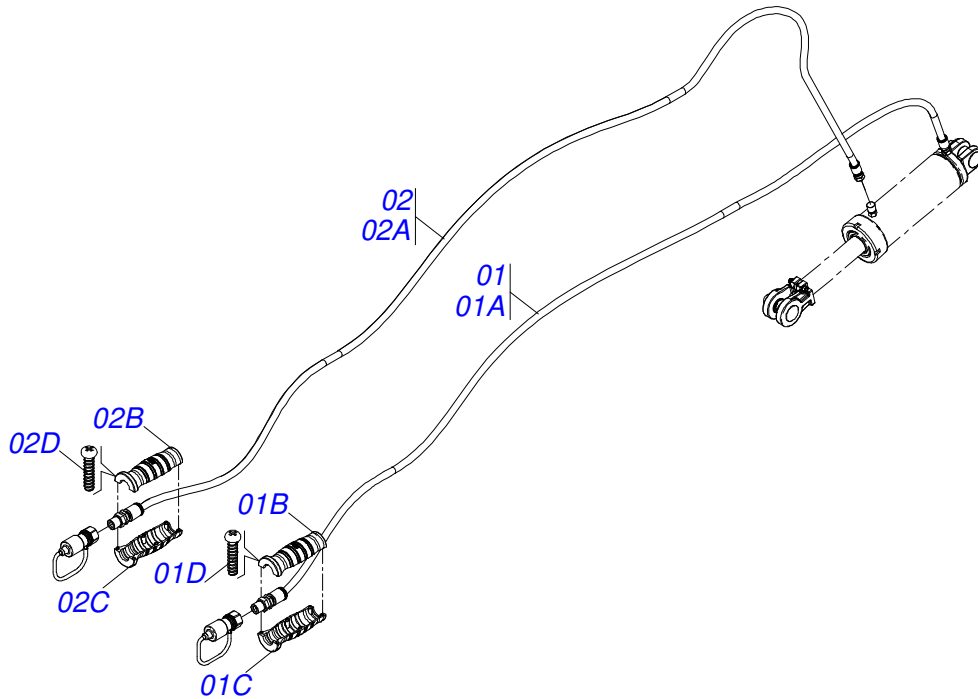
Item	Code	Description	See page	QT
01	0503010065	CANVAS TIRE		01
02	0503010068	6.00 X 16 INNER TIRE		01
03	0503010894	0.2"X0.6"X4.6"X6F0.6"X6" WHEEL		01



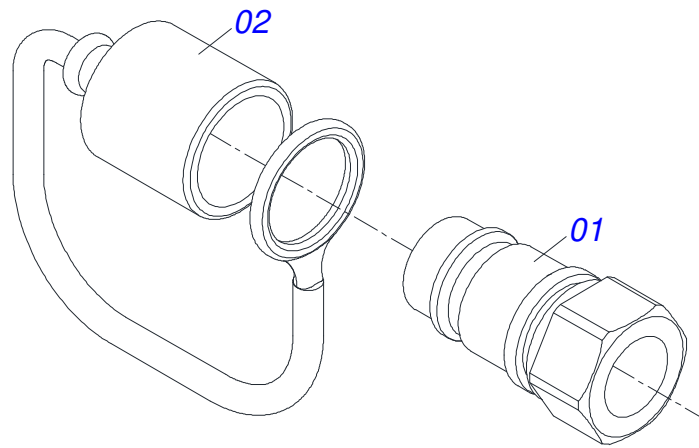
Item	Code	Description	See page	QT
01	0503010893	WHEEL		01
02	0503010033	7.50 X 16 INNER TIRE		01
03	0503010120	CANVAS TIRE		01



Item	Code	Description	See page	QT
01	0511067334	HOSE SUPPORT		01
02	0503010014	3/4" ZN G.5 (HEAVY) UNC HEX NUT		02
03	0501010322	20,50 X 46 X 4,00 ZN FLAT WASHER		02

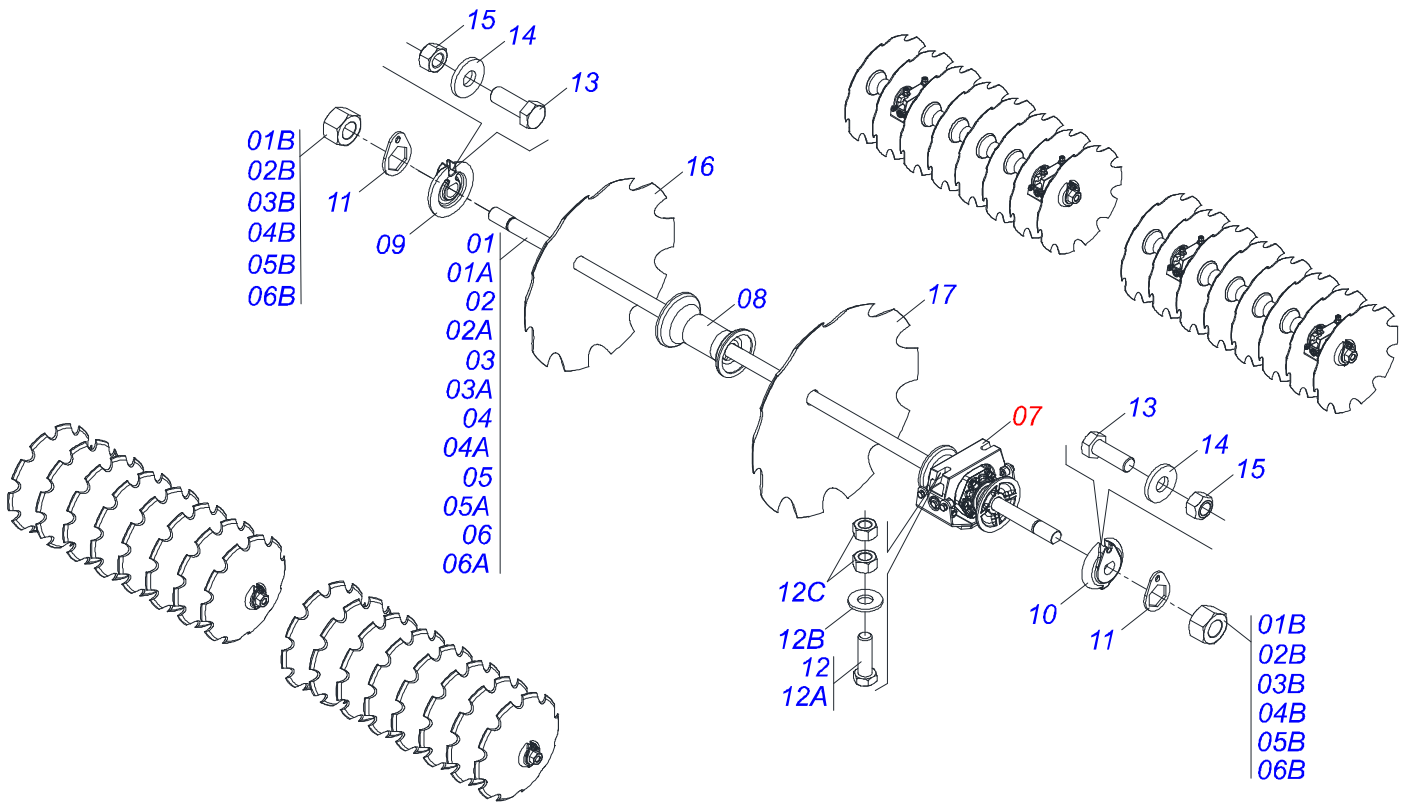


Item	Code	Description	See page	QT
01	0521056233	3/8" X 236.22" TR-TM BLACK/RED HOSE		01
01A	0501080443	3/8" X 236.22" TR-TM HOSE		01
01B	0503034495	HYDRAULIC HOSE GRIP (RED)		01
01C	0503034492	HYDRAULIC HOSE GRIP (BLACK)		01
01D	0503018952	PH 2,5 X 10 ZB PLASTIC BOLT		06
02	0521055893	3/8" X 230" TR-TM BLACK/BLUE HOSE		01
02A	0501080421	3/8" X 230" TR-TM HOSE		01
02B	0503034492	HYDRAULIC HOSE GRIP (BLACK)		01
02C	0503034494	HYDRAULIC HOSE GRIP (BLUE)		01
02D	0503018952	PH 2,5 X 10 ZB PLASTIC BOLT		06



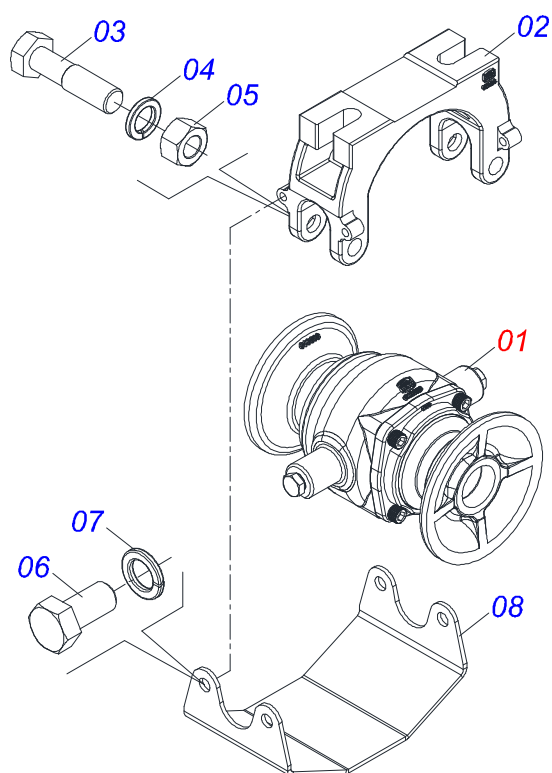
Item	Code	Description	See page	QT
01	0503011627	MALE QUICK COUPLER AGR 1/2 NPT		01
02	0503011882	MALE QUICK COUPLER CAP		01

DISC GANG ASSY

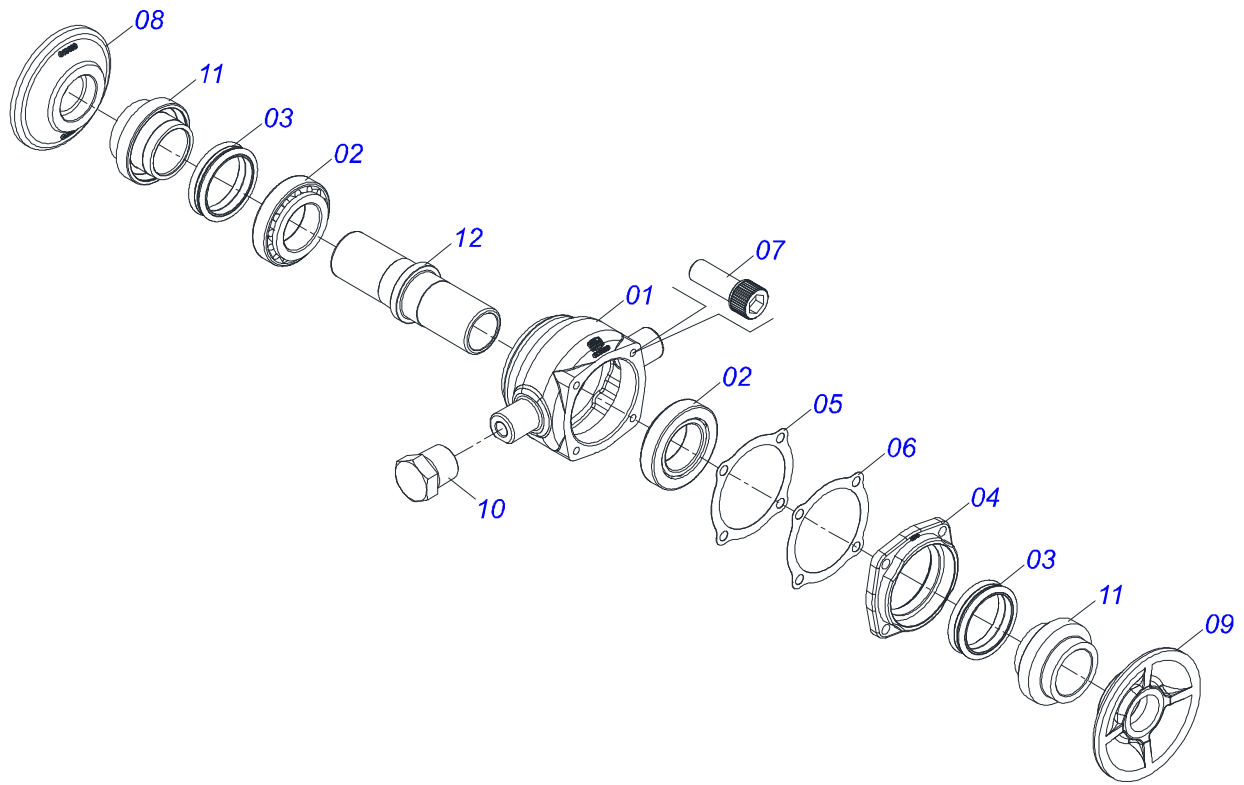


Item	Code	Description	See page	16	19	21	23	24	25	26	28	29
01	0501043837	1-1/2" X 68" AXLE WITH NUTS		02	00	00	00	00	00	00	00	01
01A	0511010225	1-1/2" X 68" AXLE		01	00	00	00	00	00	00	00	01
01B	0501010110	1.1/2 NC 6FPP 2.3/8 HEXAGONAL NUT		02	00	00	00	00	00	00	00	02
02	0501043757	1-1/2" X 86" AXLE WITH NUTS		00	01	00	00	00	00	00	00	00
02A	0511012602	1-1/2" X 86" AXLE		00	01	00	00	00	00	00	00	00
02B	0501010110	1.1/2 NC 6FPP 2.3/8 HEXAGONAL NUT		00	02	00	00	00	00	00	00	00
03	0501043756	1-1/2" X 77" AXLE WITH NUTS		00	01	00	00	00	00	00	00	00
03A	0511010230	1-1/2" X 77" AXLE		00	01	00	00	00	00	00	00	00
03B	0501010110	1.1/2 NC 6FPP 2.3/8 HEXAGONAL NUT		00	02	00	00	00	00	00	00	00
04	0501043835	1.1/2" X 1040 AXLE W/NUT		00	00	03	02	00	00	00	00	00
04A	0511010224	1.1/2" X 1040 AXLE		00	00	01	01	00	00	00	00	00
04B	0501010110	1.1/2 NC 6FPP 2.3/8 HEXAGONAL NUT		00	00	02	02	00	00	00	00	00
05	0501043689	1-1/2" X 1275 AXLE W/NUT		00	00	01	01	04	03	02	00	00
05A	0511012600	1-1/2" X 1275 AXLE		00	00	01	01	01	01	01	00	00
05B	0501010110	1.1/2 NC 6FPP 2.3/8 HEXAGONAL NUT		00	00	02	02	02	02	02	00	00
06	0501043697	1.1/2 6FPP X 1505 AXLE WITH NUTS		00	00	00	01	00	01	02	04	03
06A	0511012601	1.1/2 6FPP X 1505 AXLE		00	00	00	01	00	01	01	01	01
06B	0501010110	1.1/2 NC 6FPP 2.3/8 HEXAGONAL NUT		00	00	00	02	00	02	02	02	02
07	0521047184	DMO 225 X 1.1/2 AGRICULTURAL BEARING	19	06	06	08	08	08	08	08	08	08
08	0502010621	8.8" 1-1/2" SPACER		08	11	09	11	12	13	14	16	17
09	0502010871	EXTERNAL AXLE WASHER 1.1/2"		02	02	04	04	04	04	04	04	04
10	0502010872	1-1/2" INNER AXLE WASHER		02	02	04	04	04	04	04	04	04
11	0501018592	1.5/8 HEX 60,0/60,2 LOCK NUT		04	04	08	08	08	08	08	08	08
12	0521047597	ASSEMBLY SCREW 5/8 UNC X 2.1/2 BEARING		12	12	16	16	16	16	16	16	16
12A	0503010233	5/8 UNC X 2.1/2 CS G.5 ZN BOLT		01	01	01	01	01	01	01	01	01
12B	0501012140	FLAT WASHER 16,50 X 40 X 4,00 ZN		01	01	01	01	01	01	01	01	01
12C	0503010013	5/8 UNC G.5 ZN HEX NUT		02	02	02	02	02	02	02	02	02
13	0503011267	BOLT 5/8" UNC X 1.1/2 C S G.5 ZN		04	04	08	08	08	08	08	08	08
14	0503010027	5/8 SPRING WASHER		04	04	08	08	08	08	08	08	08
15	0503010013	5/8 UNC G.5 ZN HEX NUT		04	04	08	08	08	08	08	08	08
16	0602029396	DR 22 X 4,75 C69AF02FR1.9/16 10R		16	19	21	23	24	25	26	28	29
16.	0602027355	DR 20 X 3,50 C53AF02FR1.9/16 10R		16	19	21	23	24	25	26	28	29

Item	Code	Description	See page	16	19	21	23	24	25	26	28	29
17	0602030237	DR 24 X 4,75 C84AF02FR1.9/16 10R		16	19	21	23	24	25	26	28	29
17.	0602030283	DR 24 X 6,00 C84AF02FR1.9/16 10R		16	19	21	23	24	25	26	28	29
17..	0602033283	DR 26 X 4,75 C89AF02FR1.9/16 10R		16	19	21	23	24	25	26	28	29



Item	Code	Description	See page	QT
01	0521050837	DMO 225 X 1.1/2 IMP AGRICULTURAL BEARING	20	01
02	0502012854	BEARING SUPPORT 182/192,5		01
03	0501011541	5/8 UNC X 3 CS G.5 ZN1K28066 BOLT		02
04	0503010027	5/8 SPRING WASHER		02
05	0503010013	5/8 UNC G.5 ZN HEX NUT		02
06	0503011334	3/8 UNC X 3/4 CS G.5 ZN BOLT		04
07	0503010025	3/8" SPRING WASHER		04
08	0581014143	SWIVEL OIL BATH BEARING WEAR PLATE		01



Item	Code	Description	See page	QT
01	0502012839	BEARING HOUSING 182/192,5		01
02	0503010006	32210 ROLLER BEARING		02
03	0503030026	SEAL LP JB-253		02
04	0502020424	HOUSING CAP 182/192,225		01
05	0503030013	4.4" X 3.5" X 0.004" JOINT		01
06	0503030684	4.4" X 3.5" X 0.004" JOINT		01
07	0503010134	3/8" X 1" BOLT		04
08	0502010605	INNER FLANGE		01
09	0502010604	OUTER FLANGE		01
10	0503010856	OIL PLUG R 3/8 BSPT		02
11	0502010821	RETAINER HOLDER WITH BUSHING		02
12	0502040611	AXLE		01



civemasa

Technical Publications | Elaboration and Revision
LUIZ CANDIDO

www.civemasa.com.br

