

**DISK HARROWS**

**GACCR - 32/36/40D - AXIS 1.5/8"**  
**GACCR - 32/36/40D - EIXO 1.5/8"**

**Code:** 0501093931  
**Series:** S-0324  
**Revision:** 00  
**Revision Date:** SEPTEMBER/2024

**PARTS**  
**CATALOGUE**

***CIVEMASA***




# PRODUCTS

Code	Working Width	Description
0120700129		GACCR 32X28X6 DR DMO PN 400/60 E 1.5/8 S-0324
0120700130		GACCR 36X26X6 DR DM PN 400/60 E 1.5/8 S-0324
0120700131		GACCR 36X26X6 DR DMO PN 400/60 E 1.5/8 S-0324
0120700132		GACCR 40X28X6 DR DMO PN 400/60 E 1.5/8 S-0324
0120700133		GACCR 40X28X7,5 DR DMO PN 400/60 E 1.5/8 S-0324

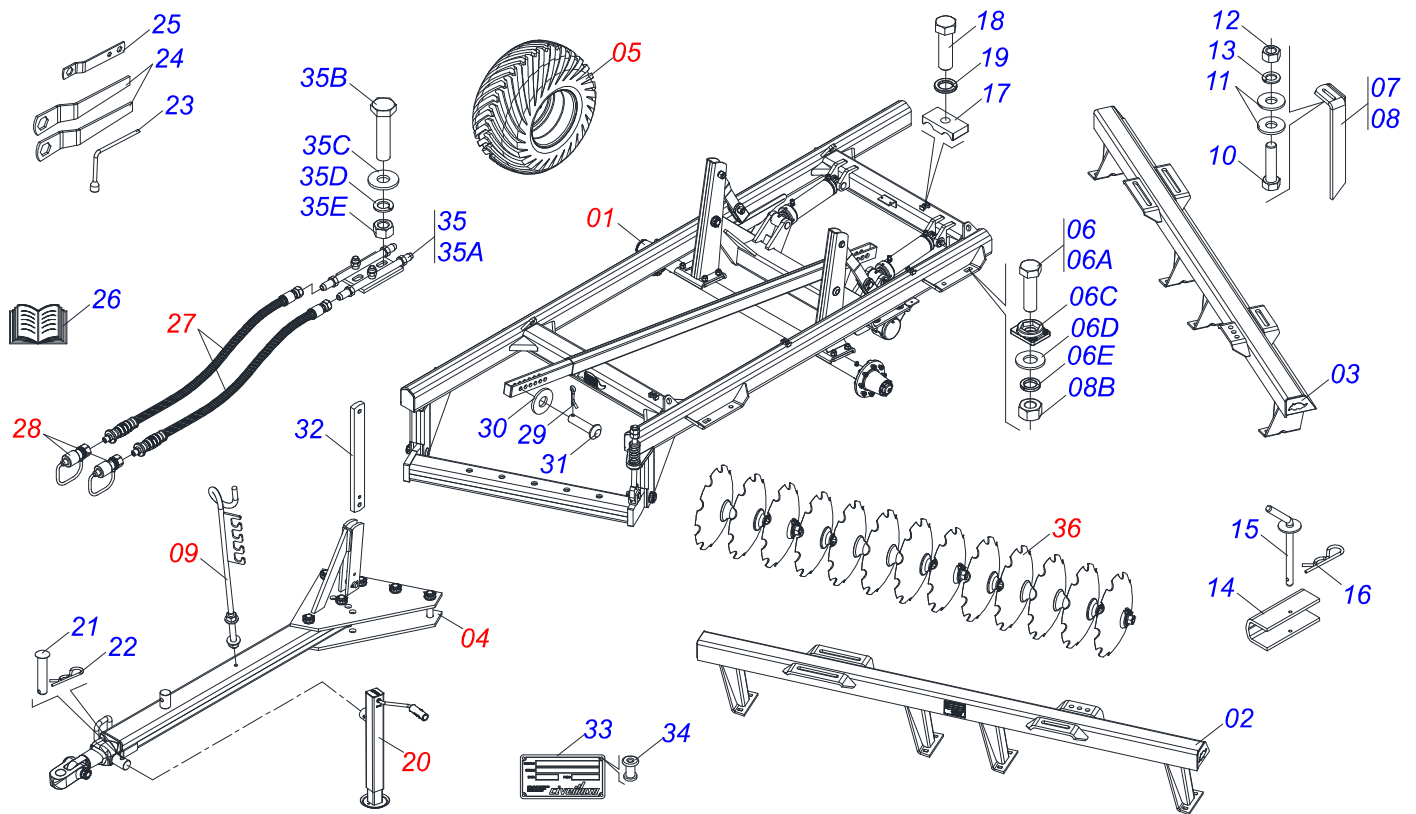
## ATTENTION: IMPORTANT

CIVEMASA reserves the right to improve and/or modify the technical features of its products, without obligation to do the same with those products already sold and without prior knowledge of the dealer or the customer. The photos are only illustrative.



# INDEX

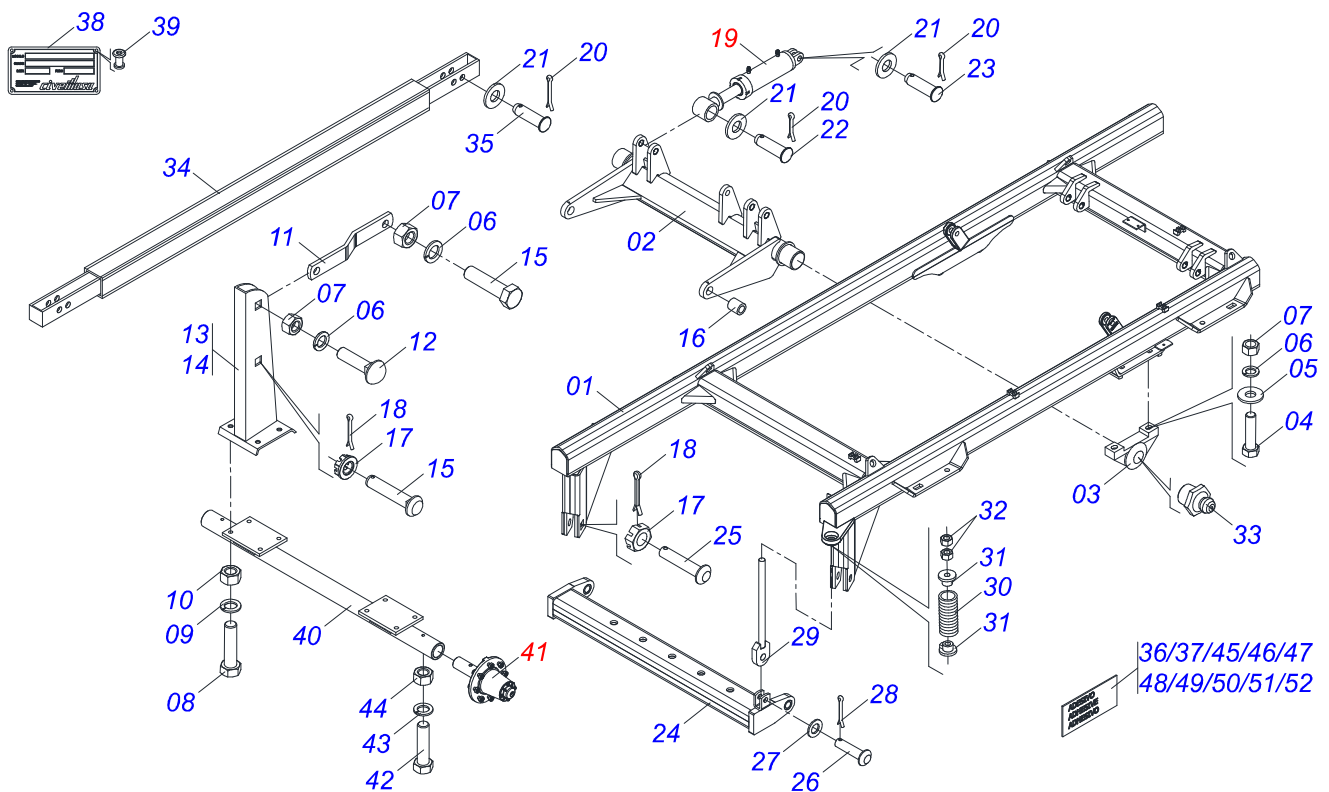
0909097356	ASSY FRAME	.....	1
0521044690	ASSY FRAME - 32 A 44D	.....	2
0511059181	HYDRAULIC CYLINDER 50,80 X 101,60 X 515 X 248	.....	3
0501051885	CARRYING-WHEELS	.....	4
0501046307	DRAWBAR ASSY	.....	5
0511041570	DRAWBAR ASSY 3"	.....	6
0503060102	WHEEL AND TIRE 400/60 - 14L RIGHT	.....	7
0501040257	3/4" X 38" HOSE SUPPORT ASSY	.....	8
0511048088	DRAWBAR JACK	.....	9
0501051043	HOSE ASSY	.....	10
0501053834	MALE QUICK COUPLER	.....	11
0909097357	DISC GANG ASSY	.....	12
0511048374	BEARING WITH SUPPORT PROTECTION	.....	13
0501059734	BEARING DMO 225 X 1.5/8 IMP	.....	14



Item	Code	Description	See page	32	36	40
01	0521044690	ASSY FRAME - 32 A 44D	2	01	01	01
02	0521065246	FRONT FRAME - 32D		01	00	00
02.	0501064448	FRONT FRAME - 36D		00	01	00
02..	0501063981	FRONT FRAME - 40D		00	00	01
03	0521065247	REAR FRAME - 32D		01	00	00
03.	0501064449	REAR FRAME - 36D		00	01	00
03..	0501063980	REAR FRAME - 40D		00	00	01
04	0501046307	DRAWBAR ASSY	5	01	01	00
04.	0511041570	DRAWBAR ASSY 3"	6	00	00	01
05	0503060102	WHEEL AND TIRE 400/60 - 14L RIGHT	7	02	02	02
06	0501040877	C1" X 3-1/4" BOLT ASSY		08	08	08
06A	0501010171	BOLT 1 UNC X 3.1/2 C S G.5		01	01	01
06B	0501010059	1.5/8 NUT		01	01	01
06C	0502012861	1" SQUARE WASHER		01	01	01
06D	0501010065	1" SPRING WASHER		01	01	01
06E	0503010012	1" SPRING WASHER		01	01	01
07	0501064168	FRONT SCRAPER		09	11	13
08	0501064167	REAR SCRAPER		09	11	13
09	0501040257	3/4" X 38" HOSE SUPPORT ASSY	8	01	01	01
10	0503010740	BOLT 1/2 UNC X 2 CS G.5 ZN		36	44	49
11	0511017302	FLAT WASHER 13,50 X 32,50 X 3,0 ZN		72	88	99
12	0503010060	1/2 UNC G.5 ZN HEX NUT		36	44	49
13	0503010019	1/2" SPRING WASHER		36	44	49
14	0501066386	TRANSPORT LOCK 9.54"		02	02	02
15	0501068994	8,30 X 78 LOCK PIN		02	02	02
16	0503030168	HITCH PIN CLIP		03	03	03
17	0502012702	BODY SUPPORT CLAMP		04	04	04
18	0503012555	7/16" UNC X 2" CS RT G.7 ZN SCREW		04	04	04
19	0503010180	7/16" SPRING WASHER		04	04	04
20	0511048088	DRAWBAR JACK	9	01	01	01
21	0561014251	COUPLING SHAFT		01	01	01
22	0503030168	HITCH PIN CLIP		01	01	01

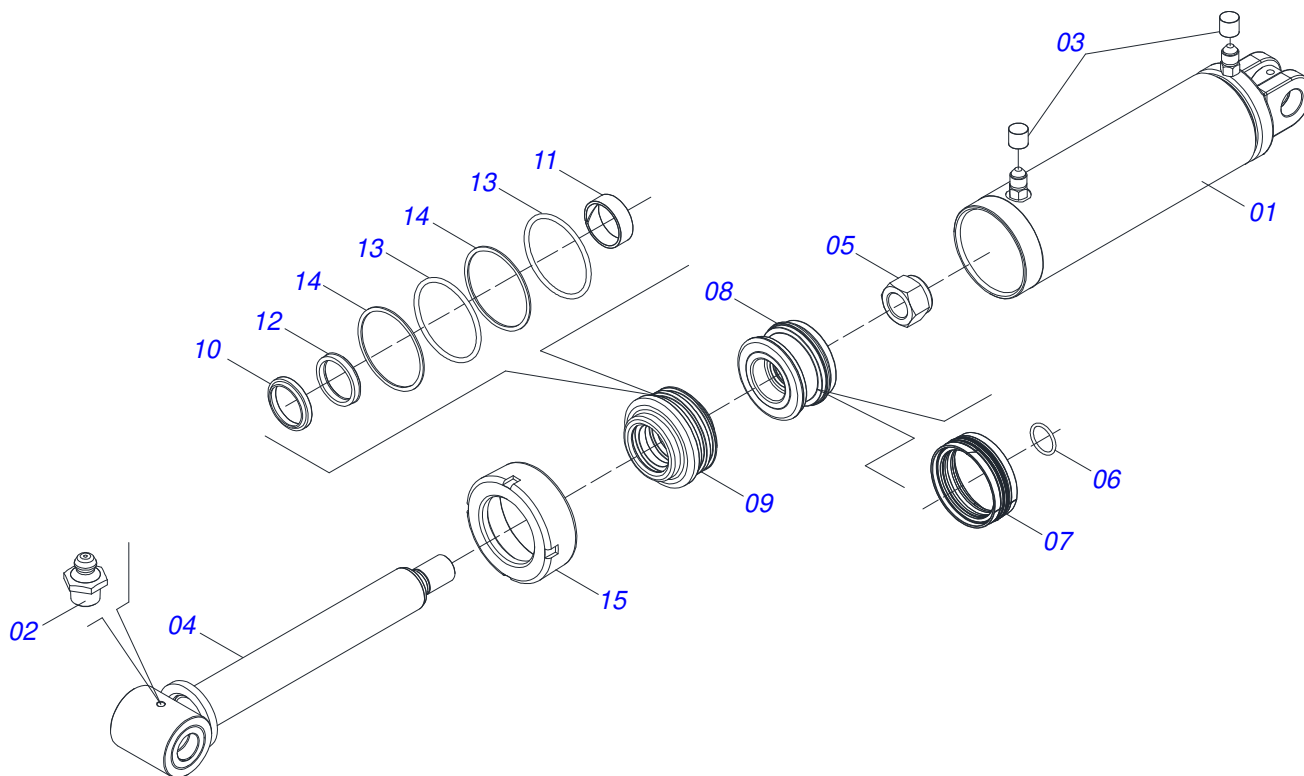
**ASSY FRAME**

<b>Item</b>	<b>Code</b>	<b>Description</b>	<b>See page</b>	<b>32</b>	<b>36</b>	<b>40</b>
23	0503016140	3/4" WRENCH CABLE CYLINDRICAL		01	01	01
24	0501011431	1-3/4" GANG BOLT WRENCH		02	02	02
25	0501061617	1" GANG BOLT WRENCH		01	01	01
26	0511031441	PLASTIC COVER WITH INSTRUCTIONS MANUAL		01	01	01
27	0501051043	HOSE ASSY	10	01	01	01
28	0501053834	MALE QUICK COUPLER	11	02	02	02
29	0503010571	1/4" X 1.1/2" SPLIT PIN		01	01	01
30	0501811445	FLAT WASHER 26 X 46 X 3,00		01	01	01
31	0521810576	COUPLING SHAFT		01	01	01
32	0511013526	STABILIZER BAR TOWER		01	01	01
33	0503034004	ALUMINUM IDENTIFICATION DECAL		01	01	01
34	0503010001	RIVET 3,2 X 5,5		01	01	01
35	0501051611	CONNECTION ASSY		01	01	01
35A	0501068706	DOUBLE CONNECTION		01	01	01
35B	0503010237	3/8" X 1" BOLT		02	02	02
35C	0501010984	10,50 X 27 X 3,00 FLAT WASHER		02	02	02
35D	0503010025	3/8" SPRING WASHER		02	02	02
35E	0503010026	3/8" NUT		02	02	02
36		DISC GANG ASSY	12			



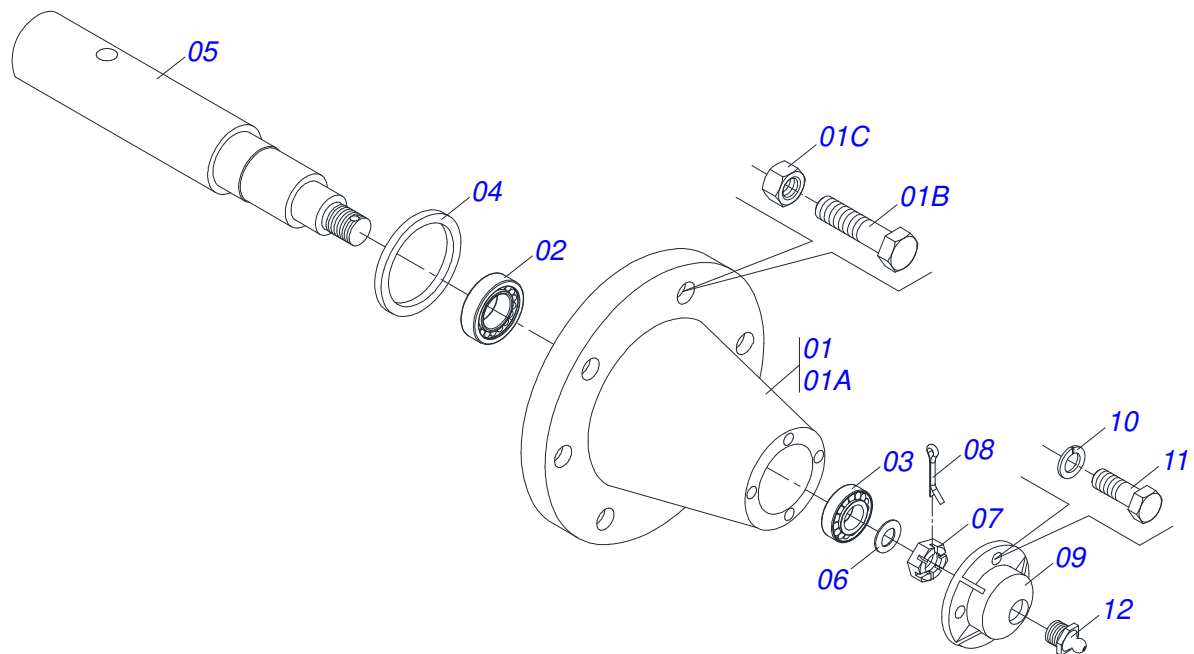
Item	Code	Description	See page	QT
01	0521063229	FRAME		01
02	0501067244	WHEELS		01
03	0502010972	ARTICULATION BEARING		02
04	0503011432	BOLT		06
05	0501010065	1" SPRING WASHER		04
06	0503011438	SPRING WASHER		08
07	0501010059	1.5/8 NUT		08
08	0501010125	3/4" X 2-1/2" BOLT		08
09	0503011442	3/4" SPRING WASHER		08
10	0503010014	3/4" ZN G.5 (HEAVY) UNC HEX NUT		08
11	0501110404	SUPPORT BAR		02
12	0511017974	1" U BOLT SUSPENSION TOWER		02
13	0501068260	RIGHT SUSPENSION TOWER		01
14	0501068261	LEFT SUSPENSION TOWER		01
15	0511018006	1-1/2 X 4.13" U BOLT OF SUSP TOWER		02
16	0521010737	50,4/50,6X 38,5 X 35 SLEEVE		02
17	0501011301	1.1/2" UNC 6FPP 2.5/16" NUT		04
18	0503010010	1/4" X 2.1/2" SPLIT PIN		04
19	0511059181	HYDRAULIC CYLINDER 50,80 X 101,60 X 515 X 248	3	02
20	0503010523	1/4 X 2 SPLIT PIN		05
21	0501017779	FLAT WASHER 32 X 60 X 4,75		05
22	0521010547	1.2" X 6.5" COUPLING SHAFT		02
23	0511010174	1.2" X 5.9" COUPLING SHAFT		02
24	0501067241	OFFSET BAR		01
25	0521017538	11-1/2" X 5" COUPLING SHAFT		02
26	0521010592	1.1" X 3.1" COUPLING SHAFT		01
27	0561011883	FLAT WASHER		01
28	0503010571	1/4" X 1.1/2" SPLIT PIN		01
29	0501064699	SPRING ROD		01
30	0503030441	12.7" X 5.7" X 0.5" SPRING		01
31	1902020394	SPRING SUPPORT		02
32	0501010087	1.1/4" NUT		02

<b>Item</b>	<b>Code</b>	<b>Description</b>	<b>See page</b>	<b>QT</b>
33	0503010002	1800 GREASE FITTING		04
34	0501067243	STABILIZER BAR		01
35	0521010779	31.75 X 95 COUPLING SHAFT		01
36	0503033647	APPROVED DECAL		01
37	0503031827	DAILY LUBRICATION AND RETIGHTENING DECAL		02
38	0503034004	ALUMINUM IDENTIFICATION DECAL		01
39	0503010001	RIVET 3,2 X 5,5		04
40	0511069623	WHEEL SISTEM FIXER		01
41	0501051885	CARRYING-WHEELS	4	02
42	0503010706	BOLT 1/2 UNC X 4.1/2 C S G.5 ZN		02
43	0503011440	SPRING WASHER		02
44	0503010060	1/2 UNC G.5 ZN HEX NUT		02
45	0503033433	BADGE GACCR		02
46	0503033246	CIVEMASA LOGO DECAL		02
47	0503031428	ATTENTION READ MANUAL DECAL		01
48	0503034499	HOSE IDENTIFICATION DECAL		01
49	0503034078	LIFTING POINTS DECAL		04
50	0503031738	WARNING DECAL		02
51	0503033038	DANGER DECAL		01
52	0503031739	DANGER DECAL		01

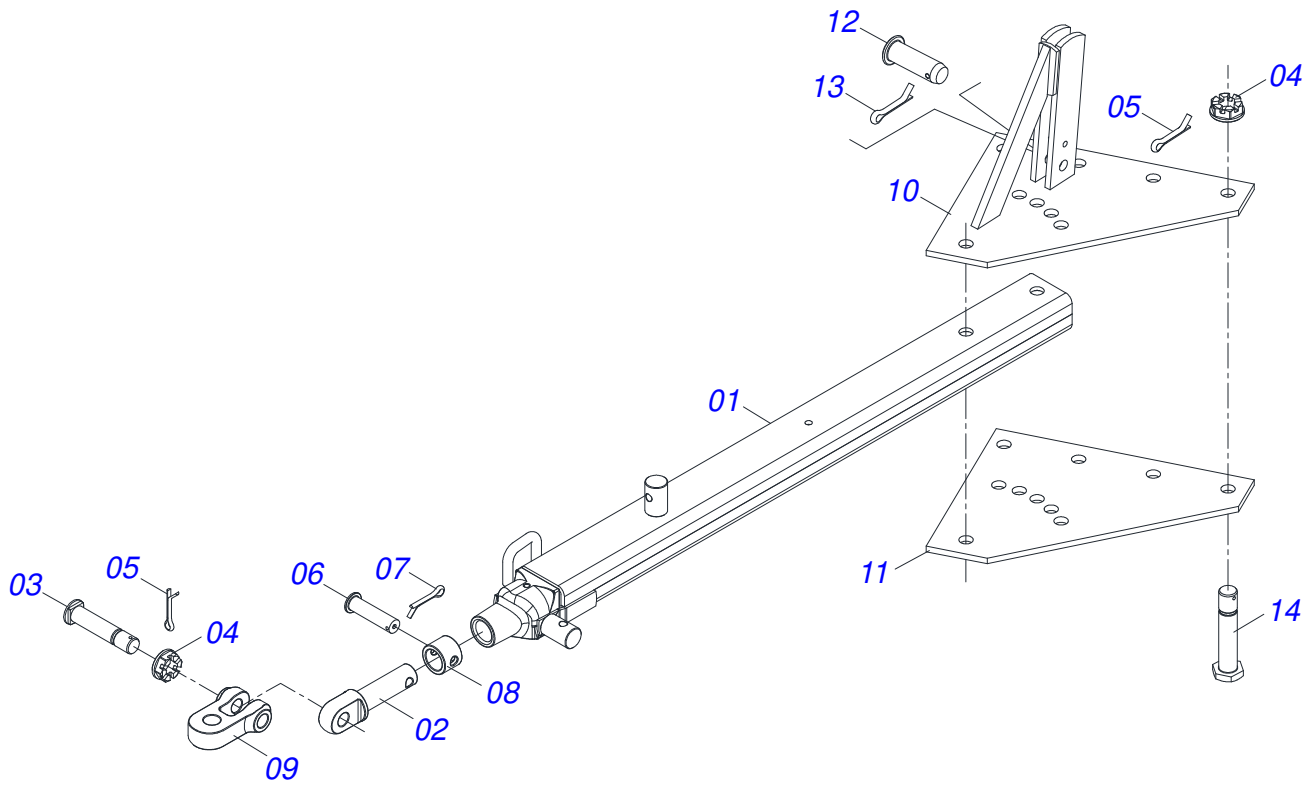


Item	Code	Description	See page	QT
01	0501067256	4" X 16" CYLINDER CASE		01
02	0503010002	1800 GREASE FITTING		02
03	0503030385	CYLINDER PLUG N-002		02
04	0521066345	PISTON ROD		01
05	0503010817	1.1/4" SELF LOCKING NUT		01
06	0503010345	2-218 N 3006-9B O-RING		01
07	0503015633	SELEMASTER SEALING		01
08	0502012842	50,80 X 101,60 PISTON		01
09	0581010678	50,80 X 101 RING SUPPORT		01
10	0503015636	SCRAPER SEAL		01
11	0503018025	RING GUIDE W2-2250-750		01
12	0503018026	GASKET 1870-2000-375 B POLYMAX		01
13	0503010338	2-342 N 3006-9B O-RING		02
14	0503011061	8-342 BACK-UP RING		02
15	0502012822	END CAP 4"		01

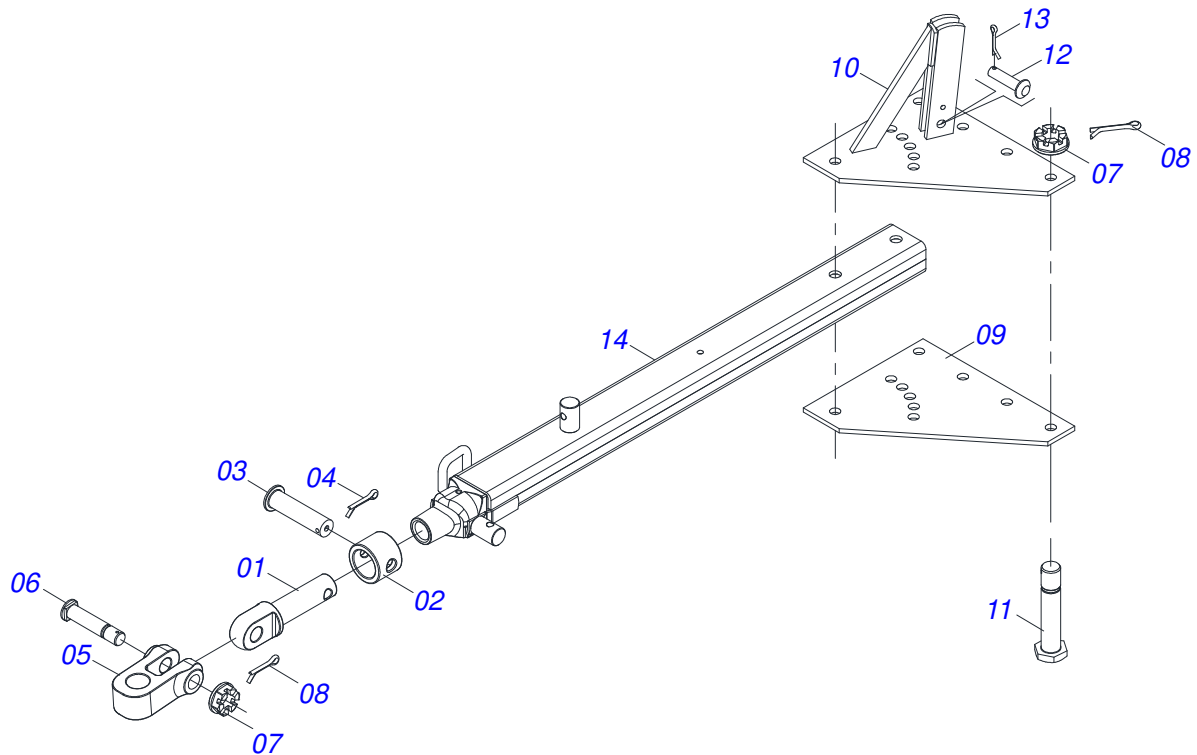




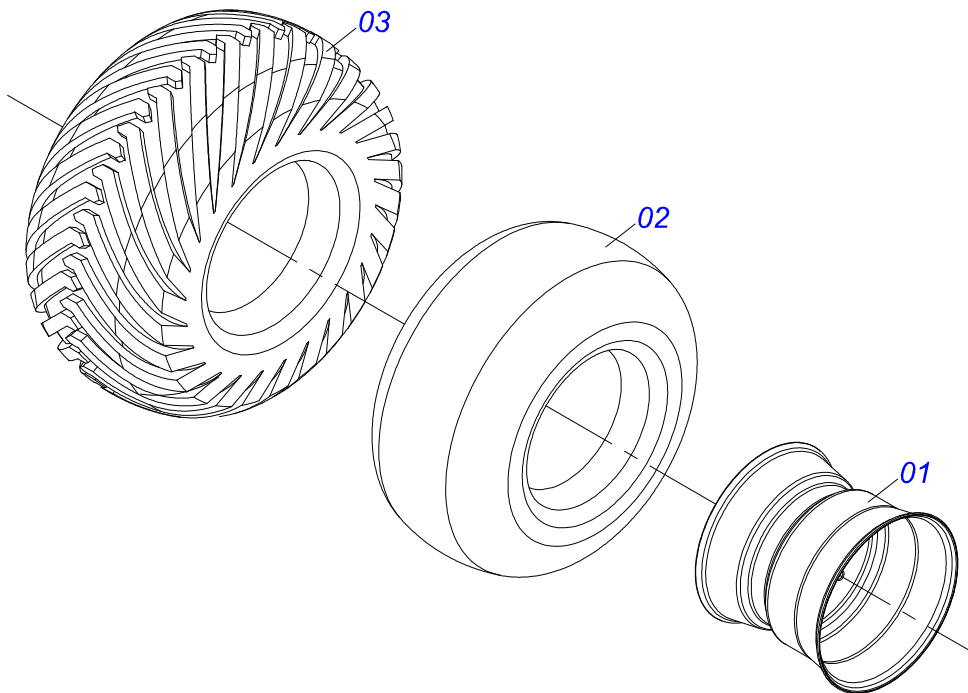
Item	Code	Description	See page	QT
01	0501110738	CARRYING WHEEL HUB 21FT		01
01A	0502012260	TRANSPORT CARRYING-WHEEL HUB		01
01B	0503010064	5/8 UNF CONIC NUT		08
01C	0501010186	WHEEL BOLT 5/8"UNF X 2.1/8CR		08
02	0503011156	2780/2720 IMP ROLLER BEARING		01
03	0503010008	3780/3720 ROLLER BEARING		01
04	0503013314	RETAINER 5166-GB 63,5 X 110 X 13 ARCA		01
05	0511012494	SPINDLE		01
06	0511012492	FLAT WASHER		01
07	0503030009	1" CASTLE NUT		01
08	0503010018	5/32" X 1-1/2" SPLIT PIN		01
09	0502020591	PROTECTION LID		01
10	0503011444	SPRING WASHER 5/16"		04
11	0503010358	5/16" X 5/8" BOLT		04
12	0503010002	1800 GREASE FITTING		01



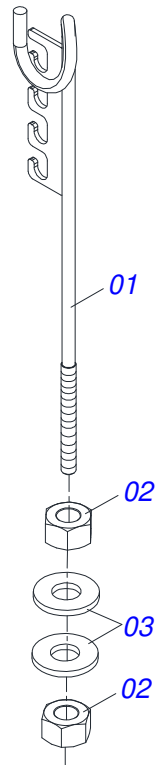
Item	Code	Description	See page	QT
01	0501069323	TRACTION BAR		01
02	1902040223	PIN HITCH		01
03	0521012545	COUPLING SHAFT		01
04	0501011301	1.1/2" UNC 6FPP 2.5/16" NUT		07
05	0503010010	1/4" X 2.1/2" SPLIT PIN		07
06	0511014902	COUPLING SHAFT		01
07	0503010571	1/4" X 1.1/2" SPLIT PIN		01
08	1902040327	LOCK SLEEVE		01
09	1902040732	COUPLING		01
10	0501067250	UPPER PLATE WITH SUPPORT		01
11	0511016137	UPPER /LOWER PLATE		01
12	0521010779	31.75 X 95 COUPLING SHAFT		01
13	0503010523	1/4 X 2 SPLIT PIN		01
14	0501016419	1-1/2" X 7.5" BOLT		06



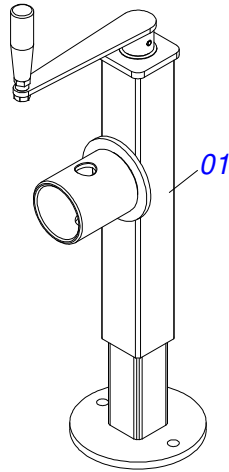
Item	Code	Description	See page	QT
01	0502040223	DRAWBOLT		01
02	0502040327	HITCH LOCK RING		01
03	0511014902	COUPLING SHAFT		01
04	0503010571	1/4" X 1.1/2" SPLIT PIN		01
05	1902040733	U COUPLING HOOK		01
06	0521012545	COUPLING SHAFT		01
07	0501011301	1.1/2" UNC 6FPP 2.5/16" NUT		07
08	0503010010	1/4" X 2.1/2" SPLIT PIN		07
09	0511016137	UPPER /LOWER PLATE		01
10	0501067250	UPPER PLATE WITH SUPPORT		01
11	0501016419	1-1/2" X 7.5" BOLT		06
12	0521010779	31.75 X 95 COUPLING SHAFT		01
13	0503010523	1/4 X 2 SPLIT PIN		01
14	0501069323	TRACTION BAR		01



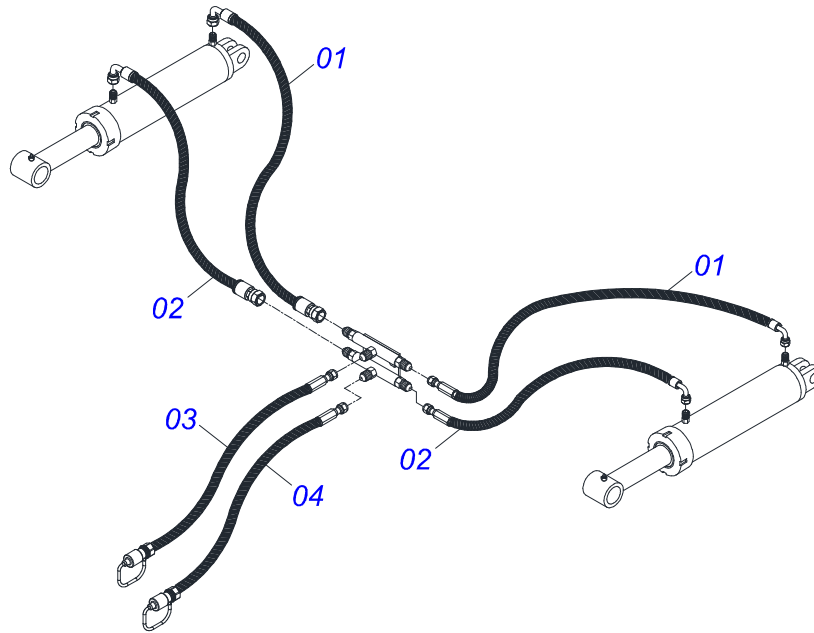
Item	Code	Description	See page	QT
01	0501069483	WHEEL 13 X 15,5 - 21FT		01
02	0503012112	400/60 - 15.5 TR 15 INNER TIRE		01
03	0503013119	CANVAS TIRE 400/60-15,5-T404-14L TRELEBORG		01



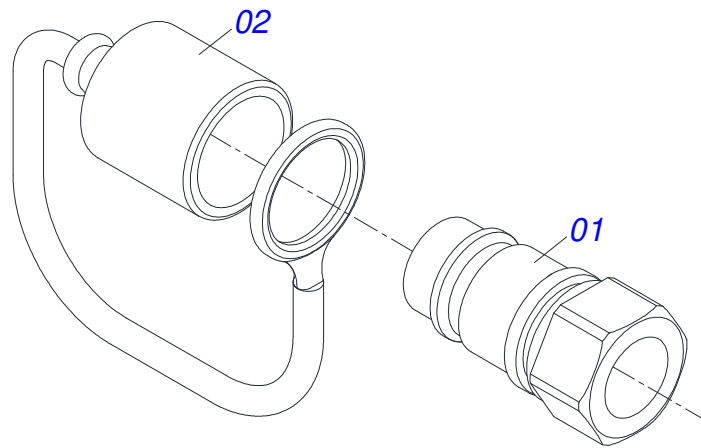
Item	Code	Description	See page	QT
01	0511067334	HOSE SUPPORT		01
02	0503010014	3/4" ZN G.5 (HEAVY) UNC HEX NUT		02
03	0501010322	20,50 X 46 X 4,00 ZN FLAT WASHER		02



Item	Code	Description	See page	QT
01	0503062227	DRAWBAR JACK		01

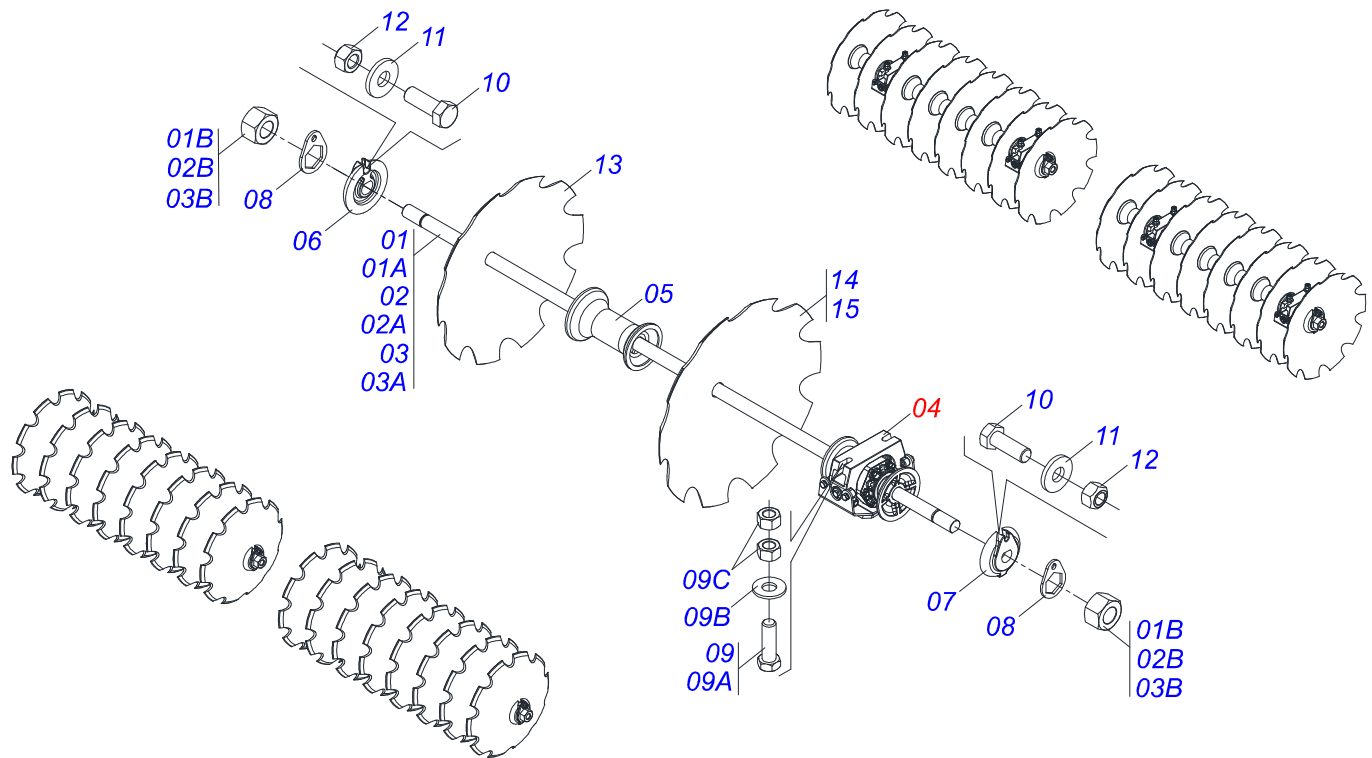


Item	Code	Description	See page	QT
01	0501080054	3/8" X 17" TR-TC HOSE		02
02	0501080413	3/8" X 27" TR-TC HOSE		02
03	0501080458	3/8" X 315" TC-TM HOSE		01
04	0501080459	3/8" X 322" TC-TM HOSE		01

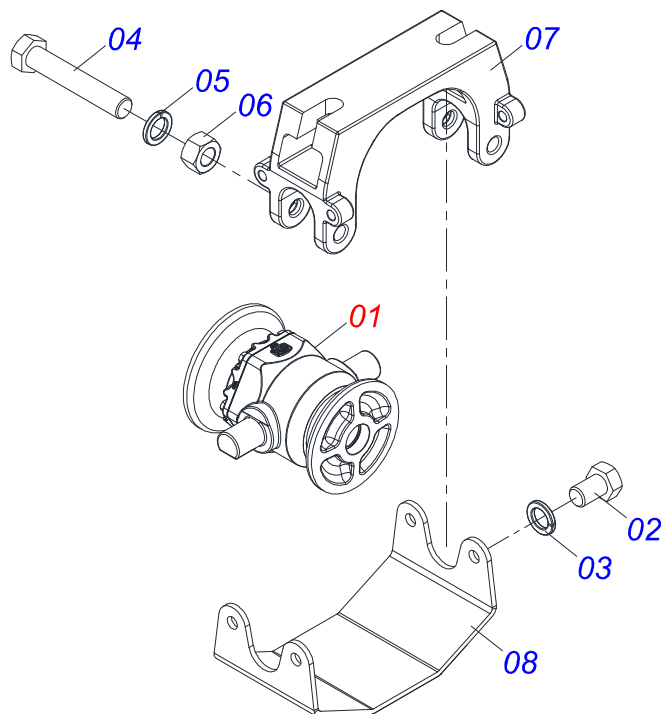


Item	Code	Description	See page	QT
01	0503011627	MALE QUICK COUPLER AGR 1/2 NPT		01
02	0503011882	MALE QUICK COUPLER CAP		01

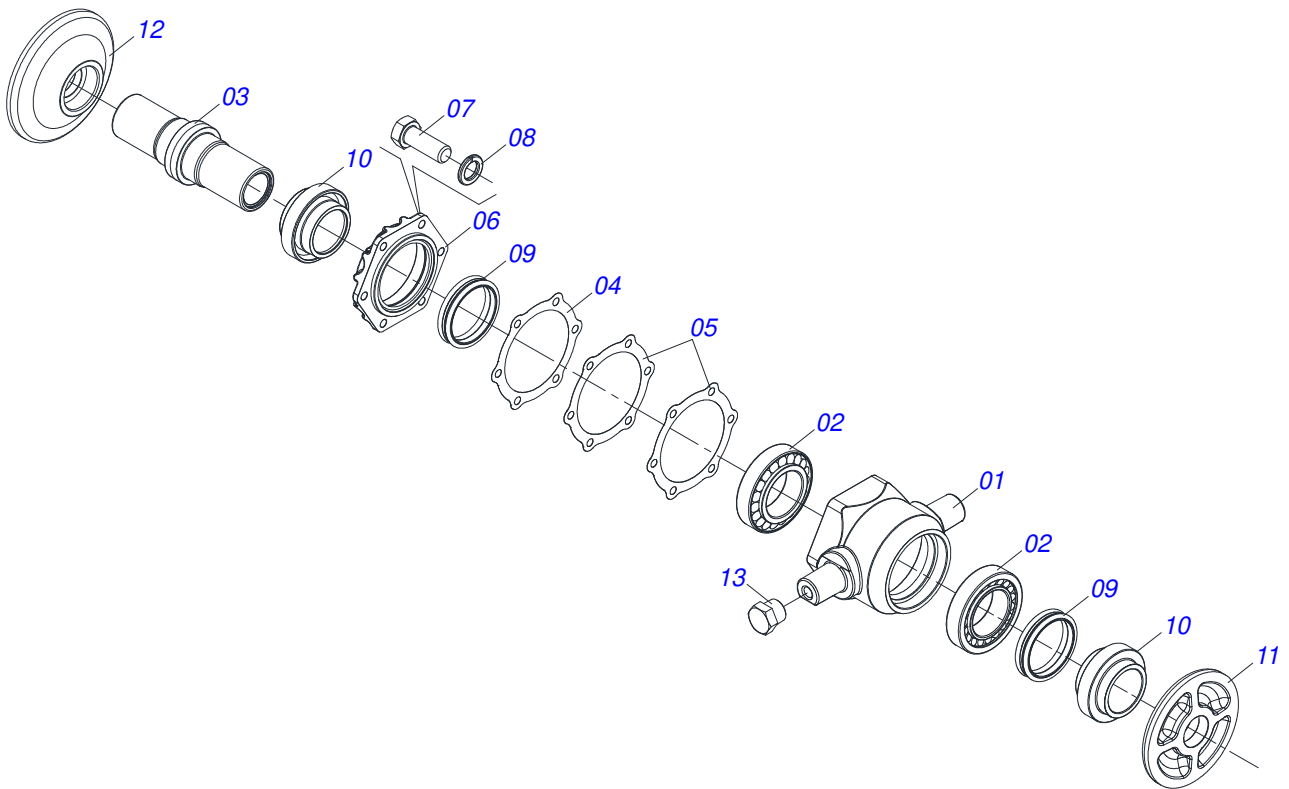




Item	Code	Description	See page	32	36	40
01	0501046853	1-5/8" X 43" AXLE WITH NUTS 2-3/4		04	00	00
01A	0501015029	1-5/8" X 43" AXLE		01	00	00
01B	0502040640	1.5/8" 2.3/4" NUT		02	00	00
02	0501046855	1-5/8" X 52" AXLE WITH NUTS 2-3/4		02	06	02
02A	0501015237	1-5/8" X 52" AXLE		01	01	01
02B	0502040640	1.5/8" 2.3/4" NUT		02	02	02
03	0501046857	1-5/8" X 61" AXLE WITH NUTS 2-3/4"		00	00	04
03A	0501015632	1-5/8" X 61" AXLE		00	00	01
03B	0502040640	1.5/8" 2.3/4" NUT		00	00	02
04	0511048374	BEARING WITH SUPPORT PROTECTION	13	12	12	12
05	0502010626	8.9" 1-5/8" SPACER		14	18	22
06	0502011048	1-5/8" EXTERNAL AXLE WASHER		06	06	06
07	0502011047	1-5/8" INNER AXLE WASHER		06	06	06
08	0511014339	1-5/8" 2.8" NUT LOCK		12	12	12
09	0521047424	SCREW ASSY		24	24	24
09A	0501010500	3/4" X 3" BOLT		01	01	01
09B	0501010322	20,50 X 46 X 4,00 ZN FLAT WASHER		01	01	01
09C	0503012183	SNC 3/4" ZIN 1K03097 NUT		02	02	02
10	0503011267	BOLT 5/8" UNC X 1.1/2 C S G.5 ZN		12	12	12
11	0501012140	FLAT WASHER 16,50 X 40 X 4,00 ZN		12	12	12
12	0503012412	5/8" UNC SELF LOCKING NUT		12	12	12
13	0602033005	DR 26 X 6,00 C90AF04FR1.11/16 10R		32	36	40
14	0602037004	DR 28 X 6,00 C102AF04FR1.11/16 10R		32	36	40
15	0602037006	DR 28 X 7,50 C102AF04FR1.11/16 10R		32	36	40



Item	Code	Description	See page	QT
01	0501059734	BEARING DMO 225 X 1.5/8 IMP	14	01
02	0503010834	1/2 X 1 BOLT		04
03	0503010019	1/2" SPRING WASHER		04
04	0503010762	SCREW 5/8 UNC X 3.1/2 CS G.5 ZN		02
05	0503010027	5/8 SPRING WASHER		02
06	0503010013	5/8 UNC G.5 ZN HEX NUT		02
07	0502012626	CENTER OSCILLATING BEARING SUPPORT		01
08	0501213923	BEARING PROTECTION COVER		01



Item	Code	Description	See page	QT
01	0502020691	BEARING HUB		01
02	0503010005	32212 ROLLER BEARING		02
03	0502010899	AXLE CM/DM		01
04	0503030685	5.5" X 4.4" X 0.003" GASKET		01
05	0503030030	5.6" X 4.4" X 0.01" GASKET		02
06	0502020161	WEAR PLATE BEARING		01
07	0503010237	3/8" X 1" BOLT		06
08	0503011443	SPRING WASHER 3/8"		06
09	0503030027	DUO-CONE SEAL		02
10	0502040287	SEAL RETAINER		02
11	0502040239	OUTER FLANGE		01
12	0502040240	INNER FLANGE		01
13	0503010856	OIL PLUG R 3/8 BSPT		02





***civemasa***

**Technical Publications | Elaboration and Revision**  
LUIZ CANDIDO

[www.civemasa.com.br](http://www.civemasa.com.br)

