

DISK HARROWS

GACCR - 12/14/16/18/20/22/24/25/28/29D - AXIS 1.5/8"
GACCR - 12/14/16/18/20/22/24/25/28/29D - EIXO 1.5/8"

Code: 0501093930
Series: S-0324
Revision: 00
Revision Date: SEPTEMBER/2024

PARTS
CATALOGUE

CIVEMASA




PRODUCTS

Code	Working Width	Description
0120700123		GACCR 22X28X6 DR DMO E 1.5/8 S-0324
0120700110		GACCR 12X26X6 DR DMO E 1.5/8 S-0324
0120700113		GACCR 14X24X6 DR DMO E 1.5/8 S-0324
0120700111		GACCR 14X26X6 DR DMO E 1.5/8 S-0324
0120700112		GACCR 14X28X6 DR DMO E 1.5/8 S-0324
0120700114		GACCR 16X24X6 DR DMO E 1.5/8 S-0324
0120700115		GACCR 16X26X6 DR DMO E 1.5/8 S-0324
0120700116		GACCR 16X28X6 DR DMO E 1.5/8 S-0324
0120700117		GACCR 16X28X7,5 DR DMO E 1.5/8 S-0324
0120700118		GACCR 18X24X6 DR DMO E 1.5/8 S-0324
0120700119		GACCR 18X26X6 DR DMO E 1.5/8 S-0324
0120700120		GACCR 18X28X6 DR DMO E 1.5/8 S-0324
0120700121		GACCR 20X28X6 DR DMO E 1.5/8 S-0324
0120700122		GACCR 22X26X6 DR DMO E 1.5/8 S-0324
0120700124		GACCR 24X28X6 DR DMO E 1.5/8 S-0324
0120700125		GACCR 25X26X6 DR DMO E 1.5/8 S-0324
0120700126		GACCR 28X28X6 DR DMO E 1.5/8 S-0324
0120700127		GACCR 28X28X7,5 DR DMO E 1.5/8 S-0324
0120700128		GACCR 29X26X6 DR DMO E 1.5/8 S-0324

ATTENTION: IMPORTANT

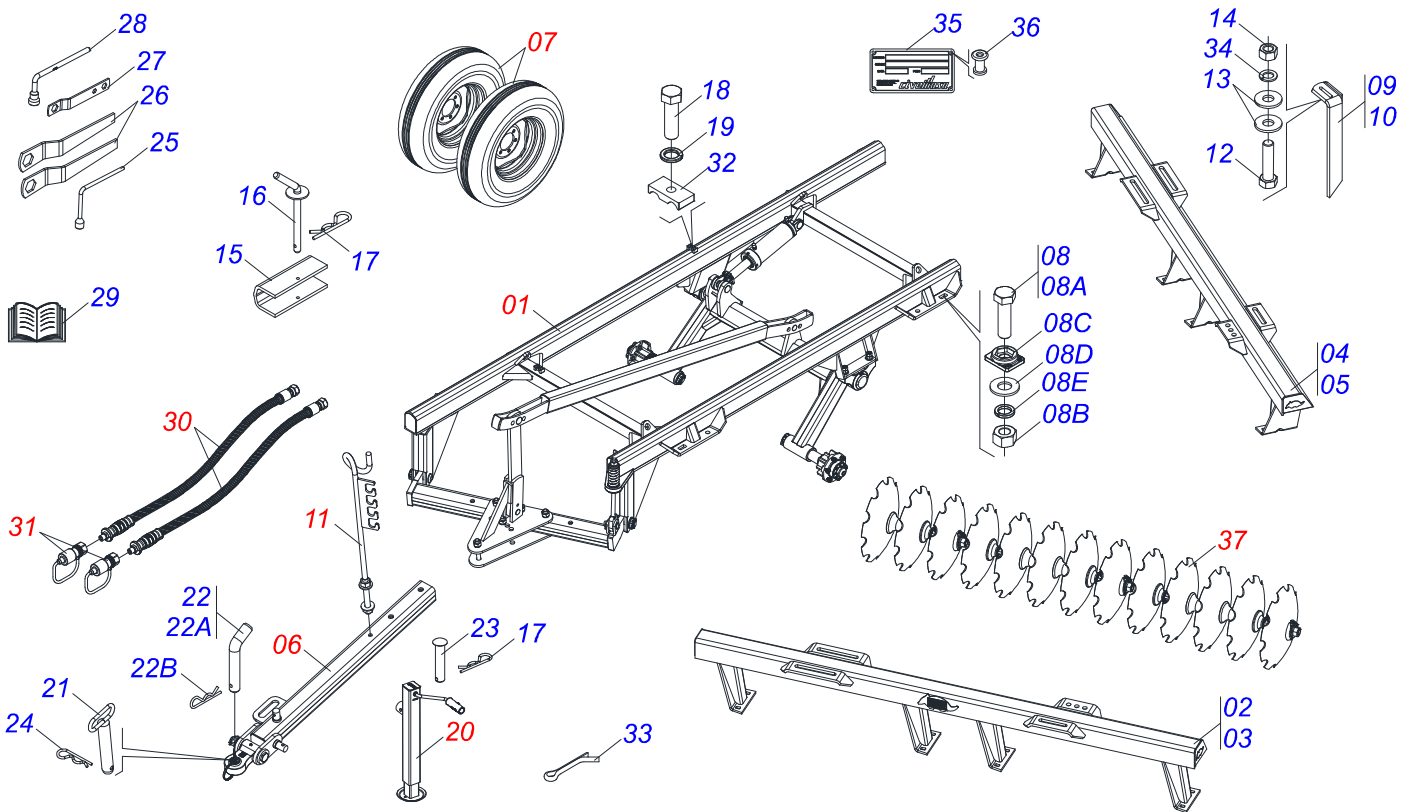
CIVEMASA reserves the right to improve and/or modify the technical features of its products, without obligation to do the same with those products already sold and without prior knowledge of the dealer or the customer. The photos are only illustrative.



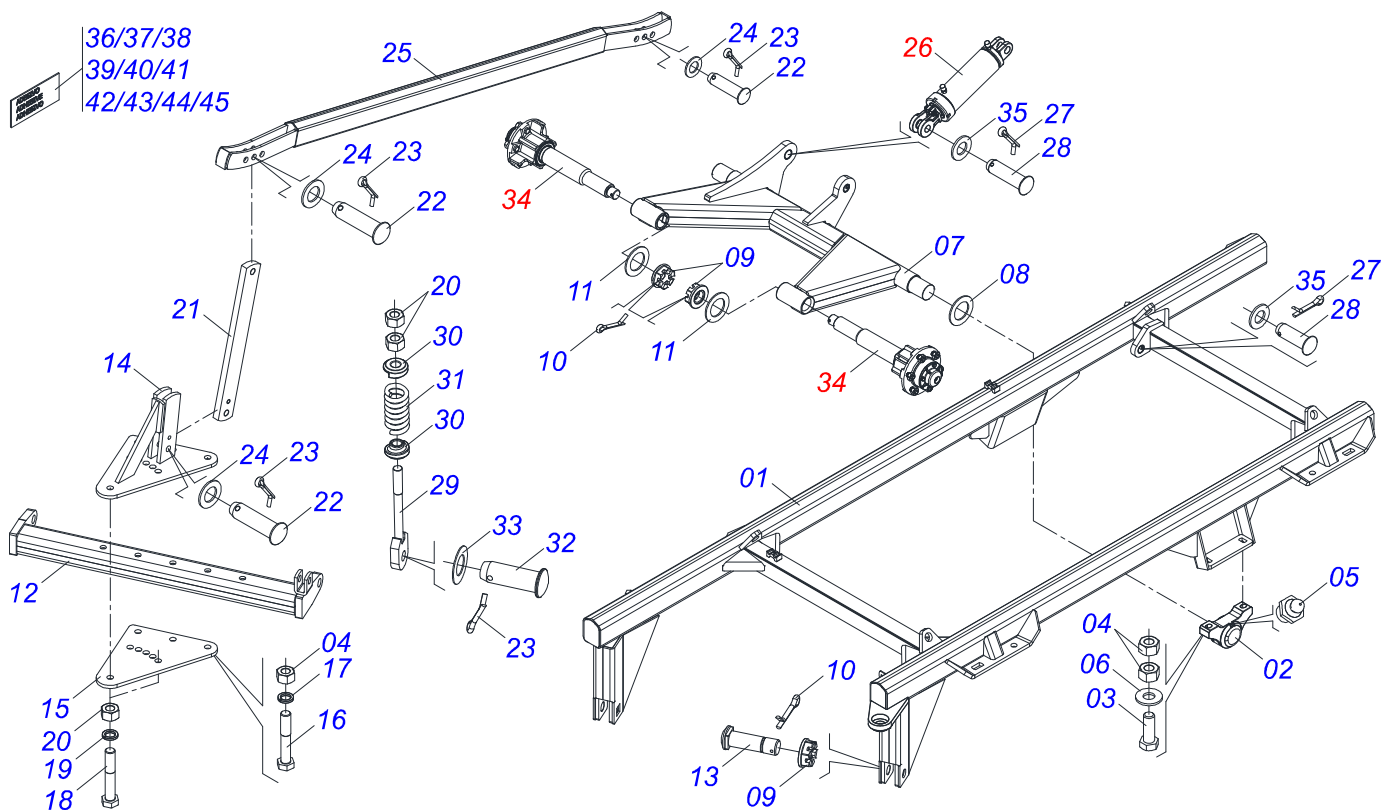
INDEX

0909097352	ASSY FRAME	1
0511049147	ASSY FRAME - 12/14/16D	2
0511049146	ASSY FRAME - 18/20/22D	3
0511049148	ASSY FRAME - 24/25/28/29D	4
0511058298	HYDRAULIC CYLINDER 44,45 X 85,7 X 515 X 203	5
0511059180	HYDRAULIC CYLINDER 50,80 X 101,60 X 515 X 203	6
0501051636	STUB SHAFT & HUB ASSY	7
0501051142	CARRYING WHEEL HUB	8
0501051634	STUB SHAFT HUB ASSY	9
0501041096	DRAWBAR ASSY	10
0521048502	TRACTION BAR ASSY	11
0521057520	HITCH ASSY	12
0503060091	L 29.5" X 0.63"-10L WHEEL AND TIRE ASSY	13
0501040257	3/4" X 38" HOSE SUPPORT ASSY	14
0503062157	DRAWBAR JACK	15
0503011360	HOSE KIT	16
0501053834	MALE QUICK COUPLER	17
0909097353	DISC GANG ASSY	18
0511048374	BEARING WITH SUPPORT PROTECTION	19
0501059734	BEARING DMO 225 X 1.5/8 IMP	20

ASSY FRAME

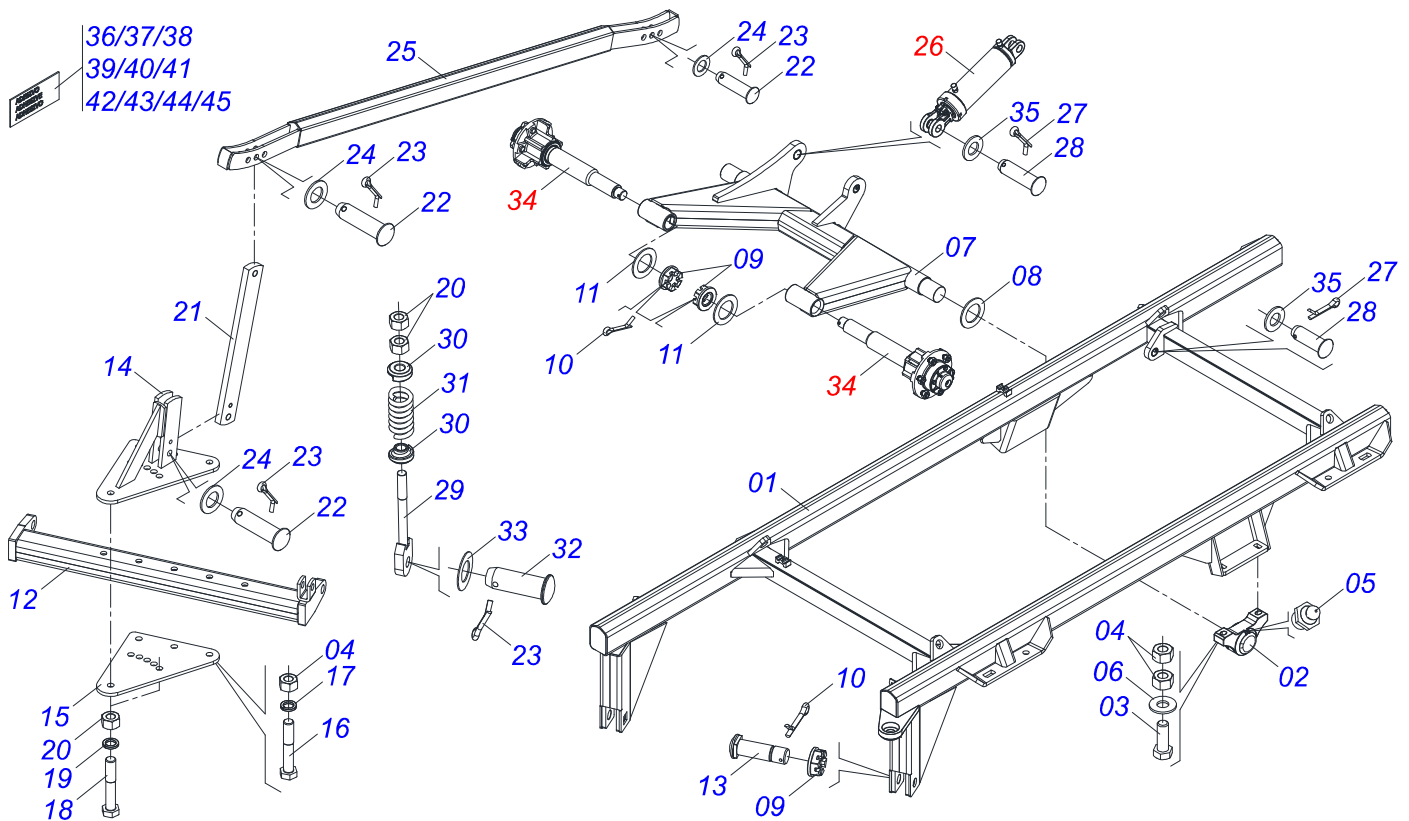


Item	Code	Description	See page	12	14	16	18	20	22	24	25	28	29
01	0511049147	ASSY FRAME - 12/14/16D	2	01	01	01	00	00	00	00	00	00	00
01.	0511049146	ASSY FRAME - 18/20/22D	3	00	00	00	01	01	01	00	00	00	00
01..	0511049148	ASSY FRAME - 24/25/28/29D	4	00	00	00	00	00	00	01	01	01	01
02	0521063170	FRONT FRAME - 12D		01	00	00	00	00	00	00	00	00	00
02.	0521062634	FRONT FRAME - 14D		00	01	00	00	00	00	00	00	00	00
02..	0521063256	FRONT FRAME - 16D		00	00	01	00	00	00	00	00	00	00
02...	0521063562	FRONT FRAME - 18D		00	00	00	01	00	00	00	00	00	00
02....	0521065456	FRONT FRAME - 20D		00	00	00	00	01	00	00	00	00	00
03	0521065554	FRONT FRAME - 22D		00	00	00	00	00	01	00	00	00	00
03.	0521062589	FRONT FRAME - 24/25D		00	00	00	00	00	00	01	01	00	00
03...	0521063217	FRONT FRAME - 28/29D		00	00	00	00	00	00	00	00	01	01
04	0521063177	REAR FRAME - 12D		01	00	00	00	00	00	00	00	00	00
04.	0521065434	REAR FRAME - 14D		00	01	00	00	00	00	00	00	00	00
04..	0521063257	REAR FRAME - 16D		00	00	01	00	00	00	00	00	00	00
04...	0521063563	REAR FRAME - 18D		00	00	00	01	00	00	00	00	00	00
04....	0521065457	ASSY REAR - 20D		00	00	00	00	01	00	00	00	00	00
05	0521065553	REAR FRAME - 22D		00	00	00	00	00	01	00	00	00	00
05.	0521065602	REAR FRAME - 24D		00	00	00	00	00	00	01	01	00	00
05..	0521062590	ASSY REAR - 25D		00	00	00	00	00	00	00	01	00	00
05...	0521065603	REAR FRAME - 28D		00	00	00	00	00	00	00	00	01	00
05....	0521063218	ASSY REAR - 29D		00	00	00	00	00	00	00	00	00	01
06	0501041096	DRAWBAR ASSY	10	01	01	01	00	00	00	00	00	00	00
06.	0521048502	TRACTION BAR ASSY	11	00	00	00	01	01	01	01	01	01	01
07	0503060091	L 29.5" X 0.63"-10L WHEEL AND TIRE ASSY	13	02	02	02	02	02	02	02	02	02	02
08	0501040877	C1" X 3-1/4" BOLT ASSY		08	08	08	08	08	08	08	08	08	08
08A	0501010171	BOLT 1 UNC X 3.1/2 C S G.5		01	01	01	01	01	01	01	01	01	01
08B	0501010059	1.5/8 NUT		01	01	01	01	01	01	01	01	01	01
08C	0502012861	1" SQUARE WASHER		01	01	01	01	01	01	01	01	01	01
08D	0501010065	1" SPRING WASHER		01	01	01	01	01	01	01	01	01	01
08E	0503010012	1" SPRING WASHER		01	01	01	01	01	01	01	01	01	01
09	0501064168	FRONT SCRAPER		03	04	04	05	05	06	07	07	09	09
10	0501064167	REAR SCRAPER		03	04	04	05	05	06	07	08	09	10



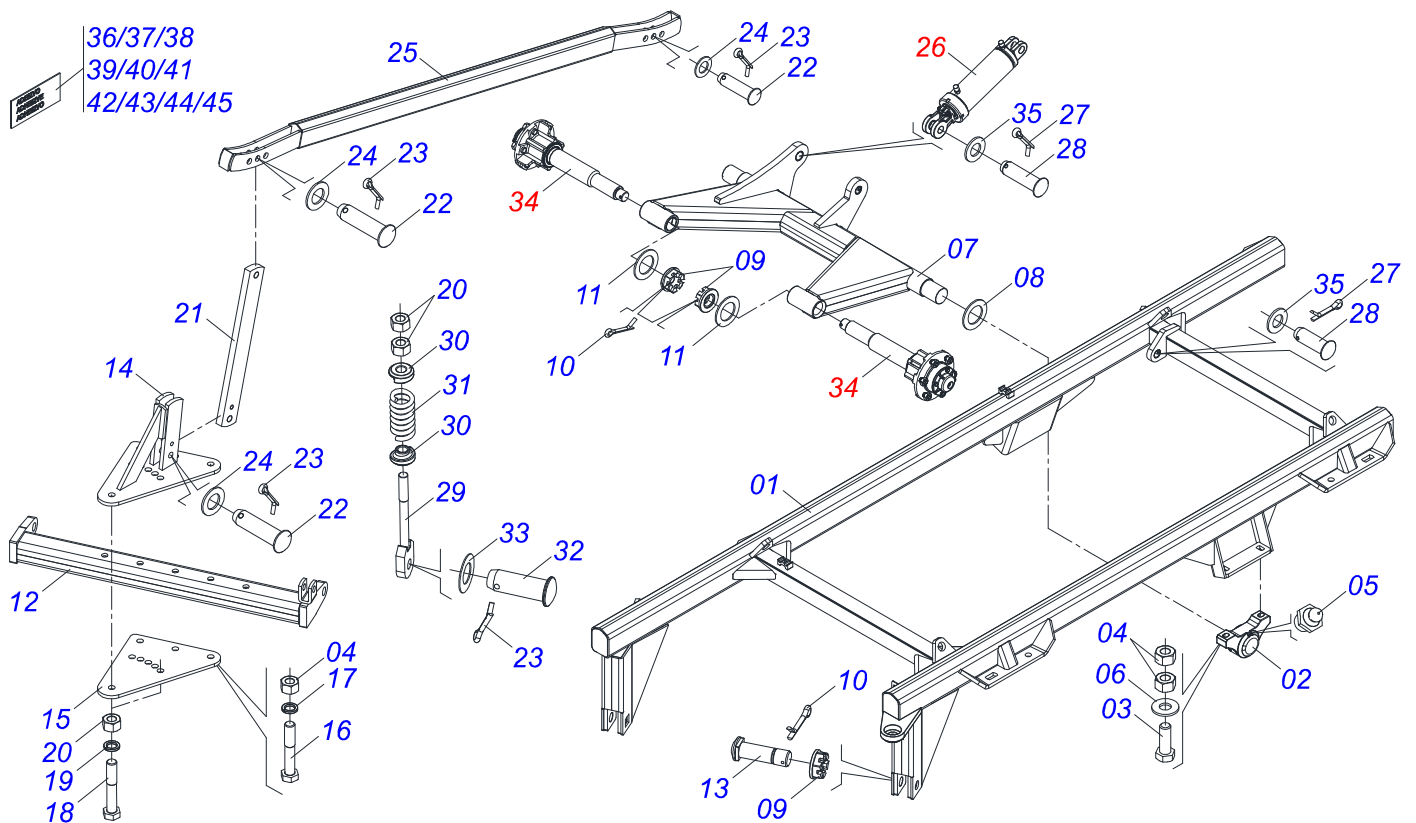
Item	Code	Description	See page	QT
01	0521063058	FRAME		01
02	0501110856	ARTICULATION BEARING		02
03	0503010797	3/4" X 4" BOLT		04
04	0503010014	3/4" ZN G.5 (HEAVY) UNC HEX NUT		11
05	0503010002	1800 GREASE FITTING		02
06	0501010322	20,50 X 46 X 4,00 ZN FLAT WASHER		04
07	0501066950	CARRYING-WHEELS		01
08	0501017579	FLAT WASHER		02
09	0501011301	1.1/2" UNC 6FPP 2.5/16" NUT		04
10	0503010010	1/4" X 2.1/2" SPLIT PIN		04
11	0511019880	FLAT WASHER		02
12	0501060370	OFFSET BAR		01
13	0521017538	11-1/2" X 5" COUPLING SHAFT		02
14	0501066099	UPPER PLATE WITH SUPPORT		01
15	0501010241	UPPER /LOWER PLATE		01
16	0503011198	BOLT 3/4" UNC X 6" CS G.5		03
17	0503011442	3/4" SPRING WASHER		03
18	0501010060	1" X 6-1/2" BOLT		02
19	0503011438	SPRING WASHER		02
20	0501010059	1.5/8 NUT		04
21	0511012972	STABILIZER BAR TOWER		01
22	0521010576	0.9" X 3.7" COUPLING SHAFT		03
23	0503010571	1/4" X 1.1/2" SPLIT PIN		04
24	0501011445	FLAT WASHER		03
25	0511066932	STABILIZER BAR		01
26	0511058298	HYDRAULIC CYLINDER 44,45 X 85,7 X 515 X 203	5	01
27	0503010523	1/4 X 2 SPLIT PIN		02
28	0521010779	31.75 X 95 COUPLING SHAFT		02
29	0501064698	SPRING ROD		01
30	1902020392	SPRING SUPPORT		02
31	0503030441	12.7" X 5.7" X 0.5"SPRING		01
32	0521010592	1.1" X 3.1" COUPLING SHAFT		01

Item	Code	Description	See page	QT
33	0561011883	FLAT WASHER		01
34	0501051636	STUB SHAFT & HUB ASSY	7	02
35	0501017779	FLAT WASHER 32 X 60 X 4,75		02
36	0503031428	ATTENTION READ MANUAL DECAL		01
37	0503033647	APPROVED DECAL		01
38	0503031827	DAILY LUBRICATION AND RETIGHTENING DECAL		01
39	0503033433	BADGE GACCR		02
40	0503033246	CIVEMASA LOGO DECAL		02
41	0503034499	HOSE IDENTIFICATION DECAL		01
42	0503034078	LIFTING POINTS DECAL		03
43	0503031738	WARNING DECAL		01
44	0503033038	DANGER DECAL		01
45	0503031739	DANGER DECAL		01



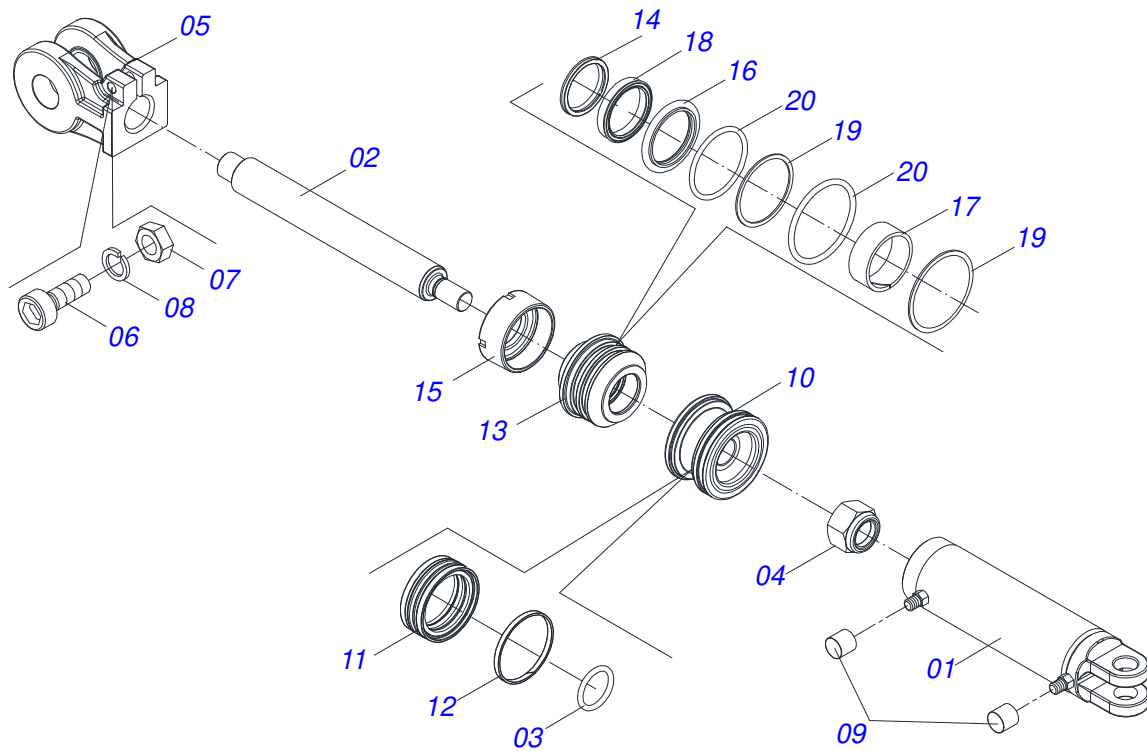
Item	Code	Description	See page	QT
01	0521065511	FRAME		01
02	0501110856	ARTICULATION BEARING		02
03	0503010797	3/4" X 4" BOLT		04
04	0503010014	3/4" ZN G.5 (HEAVY) UNC HEX NUT		11
05	0503010002	1800 GREASE FITTING		02
06	0501010322	20,50 X 46 X 4,00 ZN FLAT WASHER		04
07	0501065518	CARRYING-WHEELS		01
08	0501017579	FLAT WASHER		02
09	0501011301	1.1/2" UNC 6FPP 2.5/16" NUT		04
10	0503010010	1/4" X 2.1/2" SPLIT PIN		04
11	0511019880	FLAT WASHER		02
12	0501066262	OFFSET BAR		01
13	0521017538	11-1/2" X 5" COUPLING SHAFT		02
14	0501066099	UPPER PLATE WITH SUPPORT		01
15	0501010241	UPPER /LOWER PLATE		01
16	0503011198	BOLT 3/4" UNC X 6" CS G.5		03
17	0503011442	3/4" SPRING WASHER		03
18	0501010060	1" X 6-1/2" BOLT		02
19	0503011438	SPRING WASHER		02
20	0501010059	1.5/8 NUT		04
21	0511012972	STABILIZER BAR TOWER		01
22	0521010576	0.9" X 3.7" COUPLING SHAFT		03
23	0503010571	1/4" X 1.1/2" SPLIT PIN		04
24	0501011445	FLAT WASHER		03
25	0511066932	STABILIZER BAR		01
26	0511059180	HYDRAULIC CYLINDER 50,80 X 101,60 X 515 X 203	6	01
27	0503010523	1/4 X 2 SPLIT PIN		02
28	0521010779	31.75 X 95 COUPLING SHAFT		02
29	0501064698	SPRING ROD		01
30	1902020392	SPRING SUPPORT		02
31	0503030441	12.7" X 5.7" X 0.5"SPRING		01
32	0521010592	1.1" X 3.1" COUPLING SHAFT		01

Item	Code	Description	See page	QT
33	0561011883	FLAT WASHER		01
34	0501051634	STUB SHAFT HUB ASSY	9	02
35	0501017779	FLAT WASHER 32 X 60 X 4,75		02
36	0503031428	ATTENTION READ MANUAL DECAL		01
37	0503033647	APPROVED DECAL		01
38	0503031827	DAILY LUBRICATION AND RETIGHTENING DECAL		01
39	0503033433	BADGE GACCR		02
40	0503033246	CIVEMASA LOGO DECAL		02
41	0503034499	HOSE IDENTIFICATION DECAL		01
42	0503034078	LIFTING POINTS DECAL		03
43	0503031738	WARNING DECAL		01
44	0503033038	DANGER DECAL		01
45	0503031739	DANGER DECAL		01

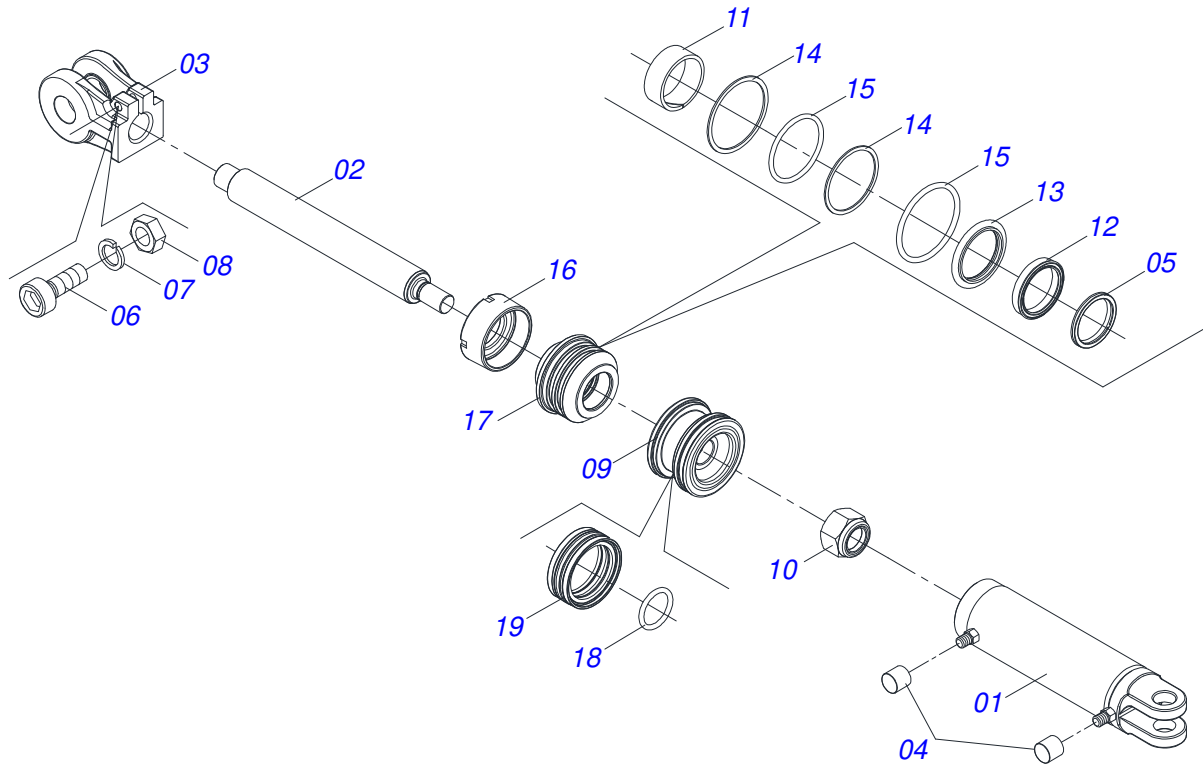


Item	Code	Description	See page	QT
01	0501064754	FRAME		01
02	0501110856	ARTICULATION BEARING		02
03	0503010797	3/4" X 4" BOLT		04
04	0503010014	3/4" ZN G.5 (HEAVY) UNC HEX NUT		11
05	0503010002	1800 GREASE FITTING		02
06	0501010322	20,50 X 46 X 4,00 ZN FLAT WASHER		04
07	0501065518	CARRYING-WHEELS		01
08	0501017579	FLAT WASHER		02
09	0501011301	1.1/2" UNC 6FPP 2.5/16" NUT		04
10	0503010010	1/4" X 2.1/2" SPLIT PIN		04
11	0511019880	FLAT WASHER		02
12	0501066262	OFFSET BAR		01
13	0521017538	11-1/2" X 5" COUPLING SHAFT		02
14	0501066235	UPPER PLATE WITH SUPPORT		01
15	0511013000	UPPER /LOWER PLATE		01
16	0503011198	BOLT 3/4" UNC X 6" CS G.5		03
17	0503011442	3/4" SPRING WASHER		03
18	0501010060	1" X 6-1/2" BOLT		02
19	0503011438	SPRING WASHER		02
20	0501010059	1.5/8 NUT		04
21	0511012972	STABILIZER BAR TOWER		01
22	0521010576	0.9" X 3.7" COUPLING SHAFT		03
23	0503010571	1/4" X 1.1/2" SPLIT PIN		04
24	0501011445	FLAT WASHER		03
25	0511066932	STABILIZER BAR		01
26	0511059180	HYDRAULIC CYLINDER 50,80 X 101,60 X 515 X 203	6	01
27	0503010523	1/4 X 2 SPLIT PIN		02
28	0521010779	31.75 X 95 COUPLING SHAFT		02
29	0501064698	SPRING ROD		01
30	1902020392	SPRING SUPPORT		02
31	0503030441	12.7" X 5.7" X 0.5"SPRING		01
32	0521010592	1.1" X 3.1" COUPLING SHAFT		01

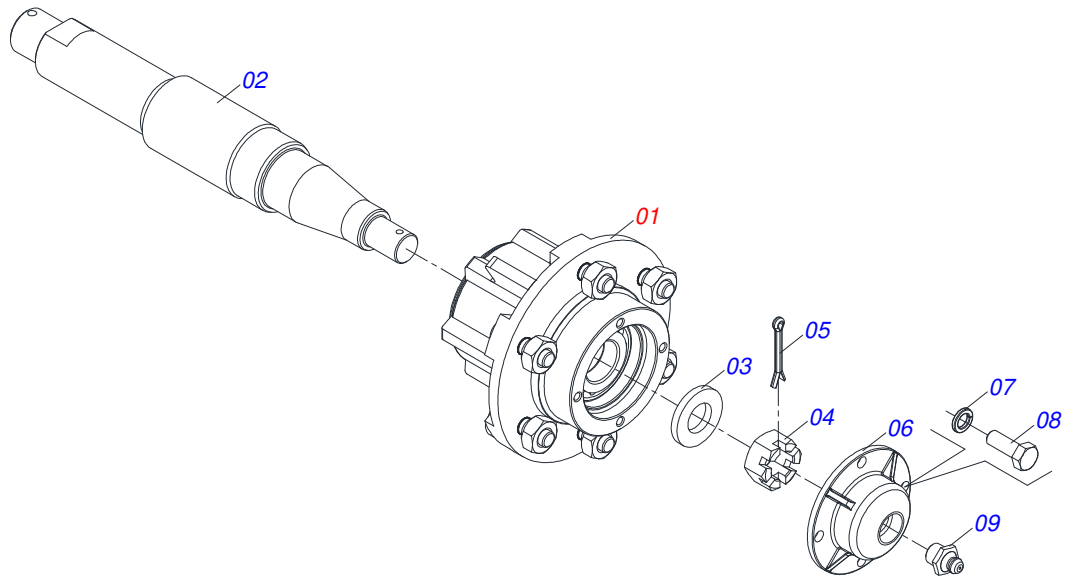
Item	Code	Description	See page	QT
33	0561011883	FLAT WASHER		01
34	0501051634	STUB SHAFT HUB ASSY	9	02
35	0501017779	FLAT WASHER 32 X 60 X 4,75		02
36	0503031428	ATTENTION READ MANUAL DECAL		01
37	0503033647	APPROVED DECAL		01
38	0503031827	DAILY LUBRICATION AND RETIGHTENING DECAL		01
39	0503033433	BADGE GACCR		02
40	0503033246	CIVEMASA LOGO DECAL		02
41	0503034499	HOSE IDENTIFICATION DECAL		01
42	0503034078	LIFTING POINTS DECAL		03
43	0503031738	WARNING DECAL		01
44	0503033038	DANGER DECAL		01
45	0503031739	DANGER DECAL		01



Item	Code	Description	See page	QT
01	0511061588	3.4" X 16" CYLINDER CASE		01
02	0521010421	HYDRAULIC CYLINDER TURNBUCKLE		01
03	0503010042	2-214 N 3006-9B O'RING		01
04	0503010063	1" SELF-ALIGNING NUT		01
05	0502040747	32.54 CLEVIS CLAMP		01
06	0503011094	BOLT 3/8" UNC X 2" C C S I 12.9		01
07	0503010026	3/8" NUT		01
08	0503010025	3/8" SPRING WASHER		01
09	0503030385	CYLINDER PLUG N-002		02
10	0571019710	1.7" X 3.4" PISTON		01
11	0503017935	RING		01
12	0503018144	RING		01
13	0571019711	RING SUPPORT		01
14	0503010761	D-1750 SCRAPER RING		01
15	0571019709	DETACHABLE COVER		01
16	0503017936	RING		01
17	0503017938	RING GUIDE		01
18	0503017937	GASKET		01
19	0503017940	8-337 BACK-UP RING		02
20	0503017939	2-337 N 3006-9B O' RING		02

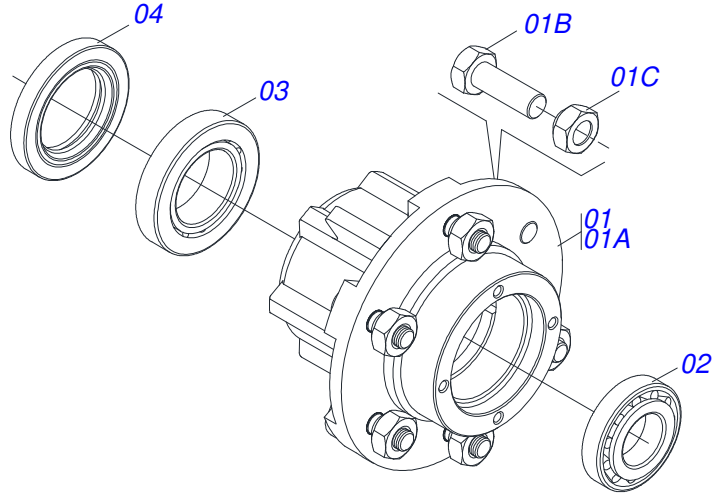


Item	Code	Description	See page	QT
01	0511070658	CYLINDER CASE 101,6 X 394		01
02	0571019958	HYDRAULIC CYLINDER TURNBUCKLE		01
03	0502040747	32.54 CLEVIS CLAMP		01
04	0503030385	CYLINDER PLUG N-002		02
05	0503010039	D-2000 SCRAPER RING		01
06	0503011094	BOLT 3/8" UNC X 2" C C S I 12.9		01
07	0503011443	SPRING WASHER 3/8"		01
08	0503010026	3/8" NUT		01
09	0502012820	2" X 4" PISTON		01
10	0503010817	1.1/4" SELF LOCKING NUT		01
11	0503018025	RING GUIDE W2-2250-750		01
12	0503018026	GASKET 1870-2000-375 B POLYMAX		01
13	0503018024	RING BS OD050805200171D-BR		01
14	0503011061	8-342 BACK-UP RING		02
15	0503010338	2-342 N 3006-9B O'RING		02
16	0502012822	END CAP 4"		01
17	0502012821	2" X 4" RING SUPPORT		01
18	0503018029	O'RING 2-217 N 3006 90B		01
19	0503015633	SELEMASTER SEALING		01



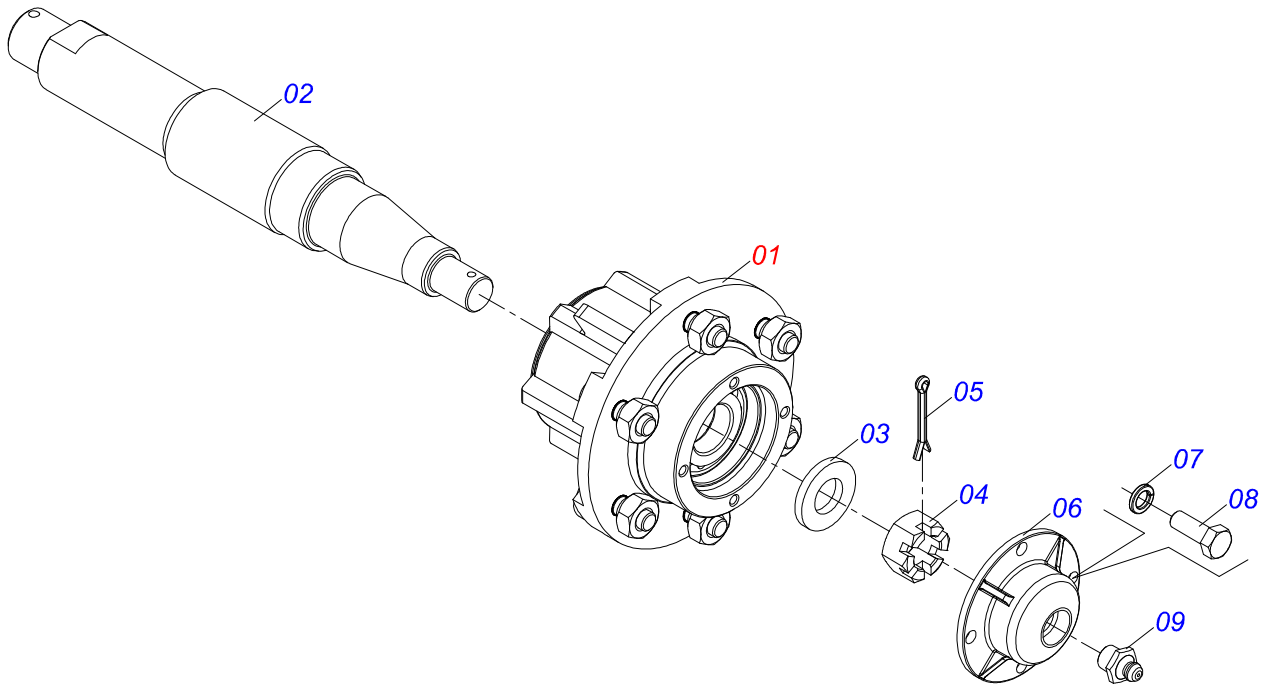
Item	Code	Description	See page	QT
01	0501051142	CARRYING WHEEL HUB	8	01
02	0521010822	AXLE 63,5 X 520		01
03	0501016545	FLAT WASHER		01
04	0503030009	1" CASTLE NUT		01
05	0503010018	5/32" X 1-1/2" SPLIT PIN		01
06	0502020591	PROTECTION LID		01
07	0503011444	SPRING WASHER 5/16"		04
08	0503010358	5/16" X 5/8" BOLT		04
09	0503010002	1800 GREASE FITTING		01

CARRYING WHEEL HUB

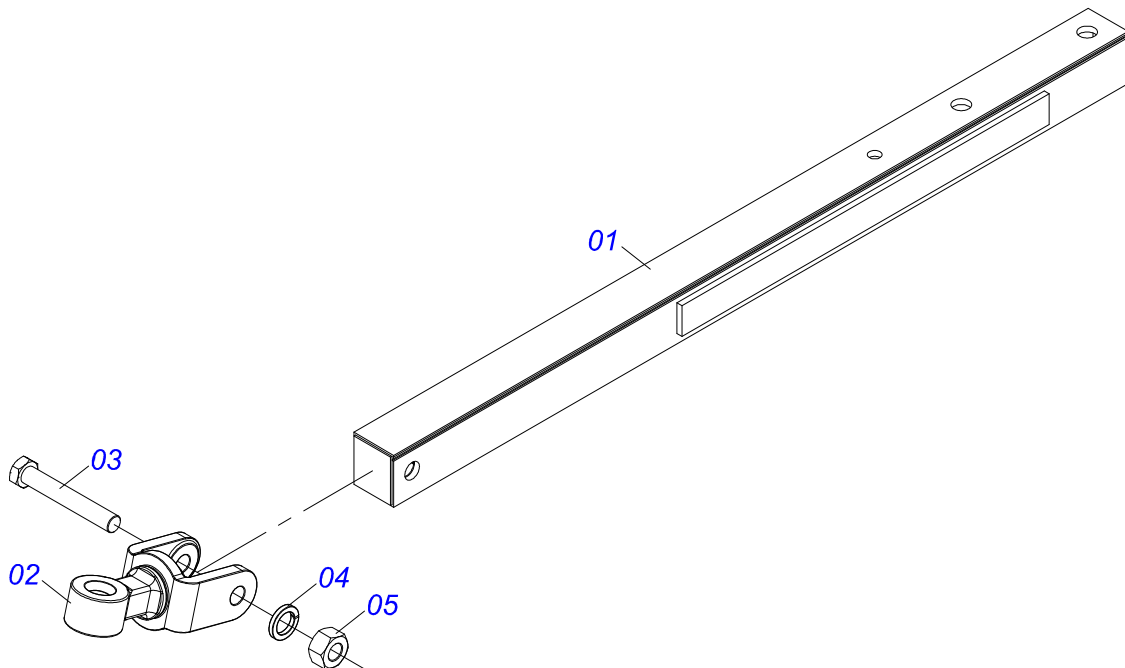


Item	Code	Description	See page	QT
01	0501110728	WHEEL HUB		01
01A	0502011121	CARRYING WHEEL HUB		01
01B	0501010127	9/16" X 1-7/8" LUG BOLT		06
01C	0503010035	9/16" CONIC NUT		06
02	0503010037	30207 ROLLER BEARING		01
03	0503010006	32210 ROLLER BEARING		01
04	0503012928	SEAL		01

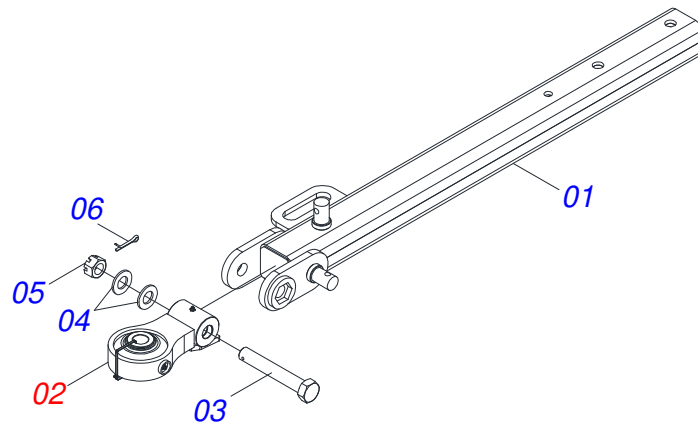
STUB SHAFT HUB ASSY



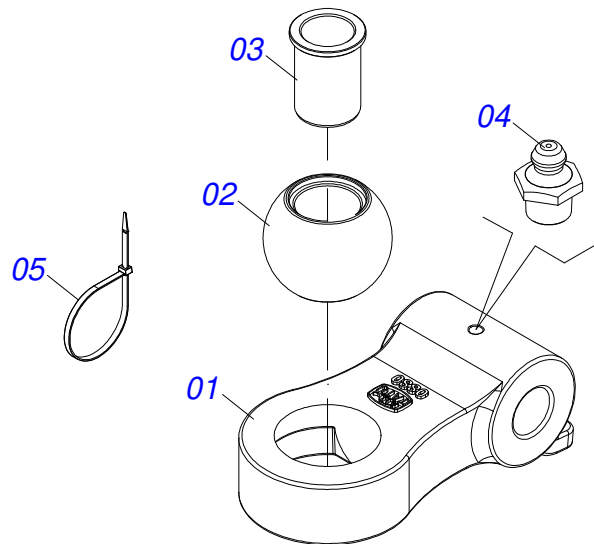
Item	Code	Description	See page	QT
01	0501051142	CARRYING WHEEL HUB	8	01
02	0521010821	2.5" X 16.5" AXLE		01
03	0501016545	FLAT WASHER		01
04	0503030009	1" CASTLE NUT		01
05	0503010018	5/32" X 1-1/2" SPLIT PIN		01
06	0502020591	PROTECTION LID		01
07	0503011444	SPRING WASHER 5/16"		04
08	0503010358	5/16" X 5/8" BOLT		04
09	0503010002	1800 GREASE FITTING		01



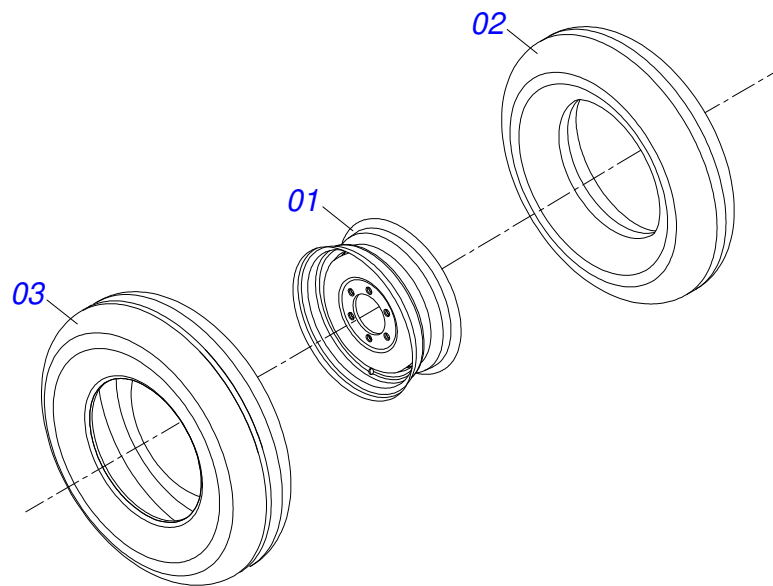
Item	Code	Description	See page	QT
01	0501060188	DRAWBAR ASSY		01
02	0521061775	TRACTOR HITCH		01
03	0501010060	1" X 6-1/2" BOLT		01
04	0503011438	SPRING WASHER		01
05	0501010059	1.5/8 NUT		01



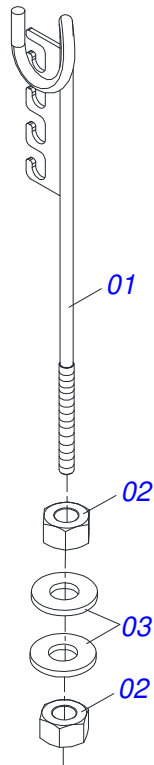
Item	Code	Description	See page	QT
01	0521069165	DRAWBAR		01
02	0521057520	HITCH ASSY	12	01
03	0581015973	1.1/4 UNC X 8 C S G5 SCREW		01
04	0501017779	FLAT WASHER 32 X 60 X 4,75		02
05	0503013026	1.1/4" CASTLE NUT		01
06	0503010010	1/4" X 2.1/2" SPLIT PIN		01

HITCH ASSY

Item	Code	Description	See page	QT
01	0502040880	HITCH BODY		01
02	0502040885	BODY ATTACHMENT		01
03	0591012511	SLEEVE		01
04	0503010002	1800 GREASE FITTING		01
05	0503018829	NYLON CLAMP 7,8 X 1,8 X 390 MM		01



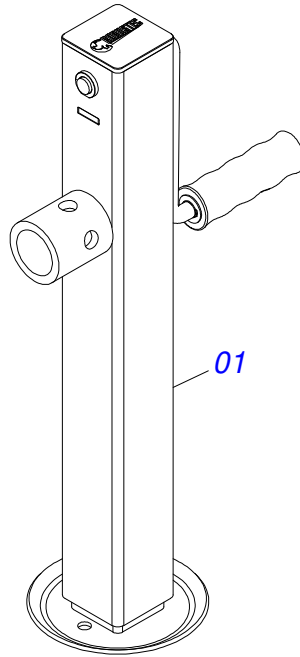
Item	Code	Description	See page	QT
01	0503010893	WHEEL		01
02	0503010033	7.50 X 16 INNER TIRE		01
03	0503010120	CANVAS TIRE		01



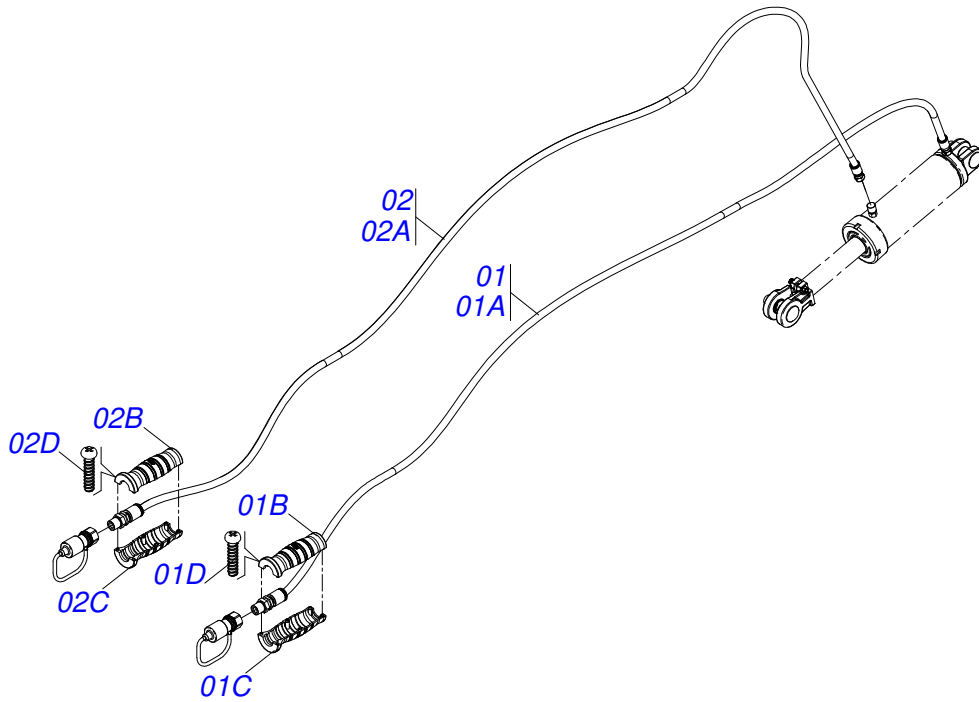
Item	Code	Description	See page	QT
01	0511067334	HOSE SUPPORT		01
02	0503010014	3/4" ZN G.5 (HEAVY) UNC HEX NUT		02
03	0501010322	20,50 X 46 X 4,00 ZN FLAT WASHER		02

DRAWBAR JACK

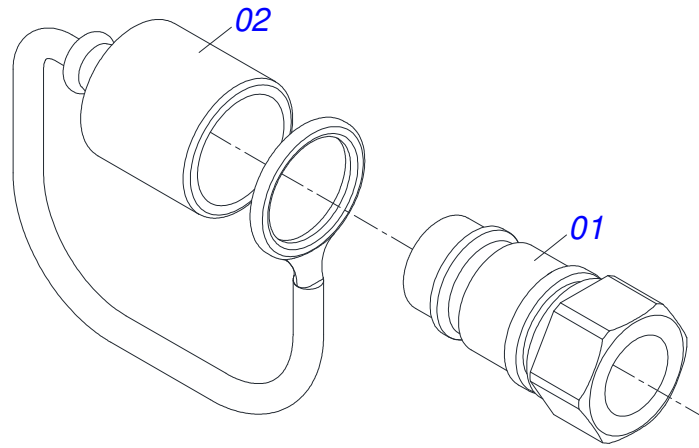
0503062157



Item	Code	Description	See page	QT
01	0503062157	DRAWBAR JACK	15	01



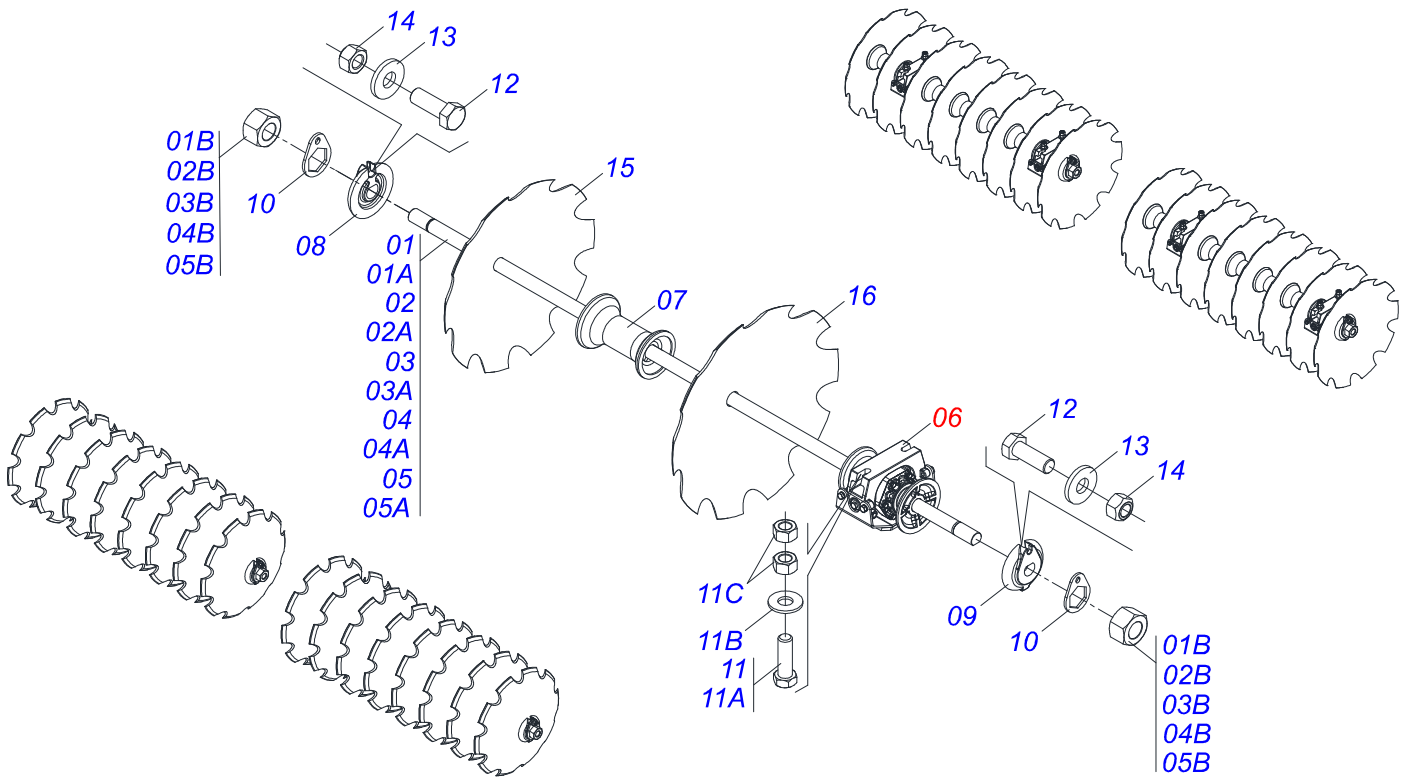
Item	Code	Description	See page	QT
01	0521056233	3/8" X 236.22" TR-TM BLACK/RED HOSE		01
01A	0501080443	3/8" X 236.22" TR-TM HOSE		01
01B	0503034495	HYDRAULIC HOSE GRIP (RED)		01
01C	0503034492	HYDRAULIC HOSE GRIP (BLACK)		01
01D	0503018952	PH 2,5 X 10 ZB PLASTIC BOLT		06
02	0521055893	3/8" X 230" TR-TM BLACK/BLUE HOSE		01
02A	0501080421	3/8" X 230" TR-TM HOSE		01
02B	0503034492	HYDRAULIC HOSE GRIP (BLACK)		01
02C	0503034494	HYDRAULIC HOSE GRIP (BLUE)		01
02D	0503018952	PH 2,5 X 10 ZB PLASTIC BOLT		06



Item	Code	Description	See page	QT
01	0503011627	MALE QUICK COUPLER AGR 1/2 NPT		01
02	0503011882	MALE QUICK COUPLER CAP		01

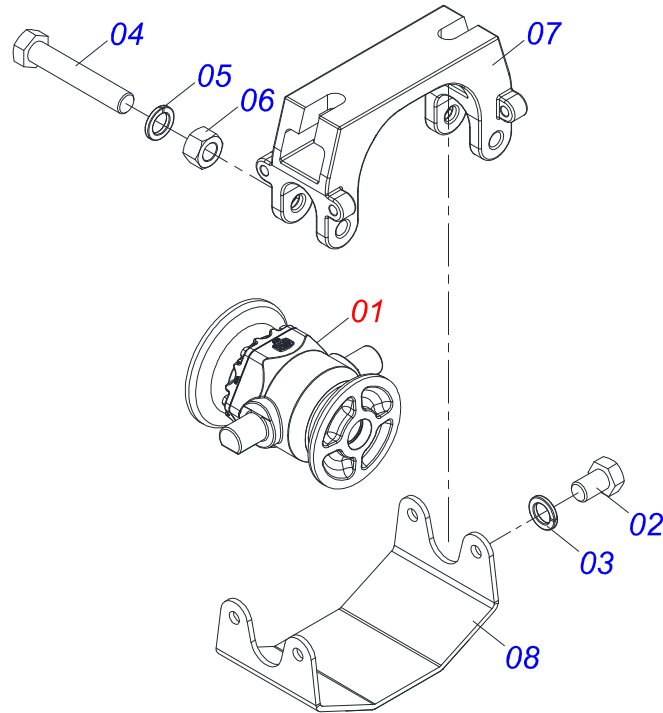
DISC GANG ASSY

0909097353

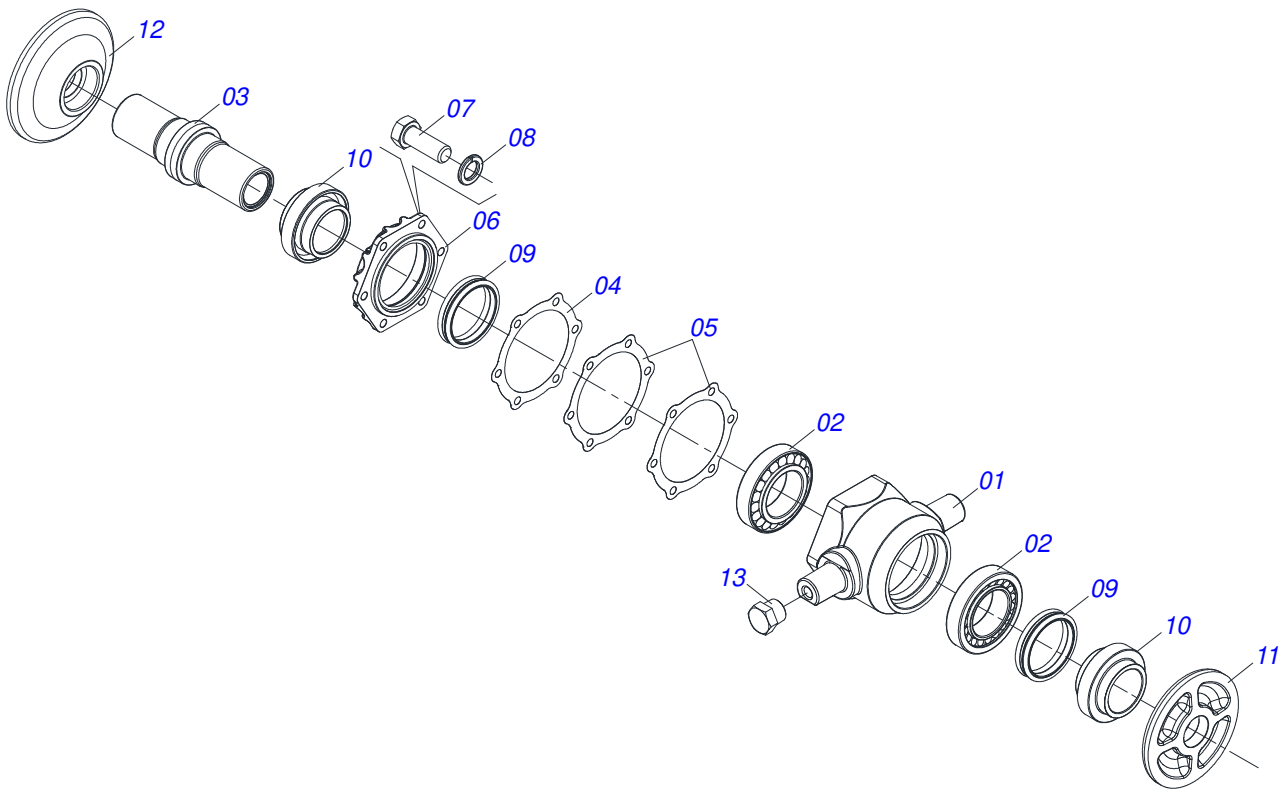


Item	Code	Description	See page	12	14	16	18	20	22	24	25	28	29
01	0501046855	1-5/8" X 52" AXLE WITH NUTS 2-3/4"		02	00	00	00	00	02	04	03	00	00
01A	0501015237	1-5/8" X 52" AXLE		01	00	00	00	00	01	01	01	00	00
01B	0502040640	1.5/8" 2.3/4" NUT		02	00	00	00	00	02	02	02	00	00
02	0501046857	1-5/8" X 61" AXLE WITH NUTS 2-3/4"		00	02	00	00	00	00	00	01	04	04
02A	0501015632	1-5/8" X 61" AXLE		00	01	00	00	00	00	00	01	01	01
02B	0502040640	1.5/8" 2.3/4" NUT		00	02	00	00	00	00	00	02	02	02
03	0501046859	1-5/8" X 70" AXLE WITH NUTS 2-3/4"		00	00	02	00	00	00	00	00	00	00
03A	0501015631	1-5/8" X 70" AXLE		00	00	01	00	00	00	00	00	00	00
03B	0502040640	1.5/8" 2.3/4" NUT		00	00	02	00	00	00	00	00	00	00
04	0501046860	1-5/8" X 79" AXLE WITH NUTS 2-3/4"		00	00	00	02	00	00	00	00	00	00
04A	0501015329	1-5/8 X 79" AXLE		00	00	00	01	00	00	00	00	00	00
04B	0502040640	1.5/8" 2.3/4" NUT		00	00	00	01	00	00	00	00	00	00
05	0501046853	1-5/8" X 43" AXLE WITH NUTS 2-3/4"		00	00	00	00	04	02	00	00	00	00
05A	0501015029	1-5/8" X 43" AXLE		00	00	00	00	01	01	00	00	00	00
05B	0502040640	1.5/8" 2.3/4" NUT		00	00	00	00	02	02	00	00	00	00
06	0511048374	BEARING WITH SUPPORT PROTECTION	19	04	04	06	06	08	08	08	08	08	08
07	0502010626	8.9" 1-5/8" SPACER		06	08	08	10	08	10	12	13	16	17
08	0502011048	1-5/8" EXTERNAL AXLE WASHER		02	02	02	02	04	04	04	04	04	04
09	0502011047	1-5/8" INNER AXLE WASHER		02	02	02	02	04	04	04	04	04	04
10	0511014339	1-5/8" 2.8" NUT LOCK		04	04	04	04	08	08	08	08	08	08
11	0521047424	SCREW ASSY		08	08	12	12	16	16	16	16	16	16
11A	0501010500	3/4" X 3" BOLT		01	01	01	01	01	01	01	01	01	01
11B	0501010322	20,50 X 46 X 4,00 ZN FLAT WASHER		01	01	01	01	01	01	01	01	01	01
11C	0503012183	SNC 3/4" ZIN 1K03097 NUT		02	02	02	02	02	02	02	02	02	02
12	0503011267	BOLT 5/8" UNC X 1.1/2 C S G.5 ZN		04	00	00	04	00	08	00	08	12	08
12.	0503010232	5/8" X 1.3/4" BOLT		00	04	04	00	08	00	08	00	08	00
13	0501012140	FLAT WASHER 16,50 X 40 X 4,00 ZN		04	04	04	04	08	08	08	08	08	08
14	0503012412	5/8" UNC SELF LOCKING NUT		04	04	04	04	08	08	08	08	08	08
15	0602029039	DR22X6 C74AF02FR42,86 10REC ROME		12	14	16	18	20	22	24	25	28	29
15.	0602030369	DR24X6 C84AF02FR1.11/16 10REC TATU		12	14	16	18	20	22	24	25	28	29
15..	0602030005	DR 24 X 6,00 C84AF04FR1.11/16 10R		12	14	16	18	20	22	24	25	28	29
16	0602033005	DR 26 X 6,00 C90AF04FR1.11/16 10R		12	14	16	18	20	22	24	25	28	29

Item	Code	Description	See page	12	14	16	18	20	22	24	25	28	29
16.	0602033232	DR 26 X 6,00 C89AF02FR1.11/16 10R		12	14	16	18	20	22	24	25	28	29
16..	0602037004	DR 28 X 6,00 C102AF04FR1.11/16 10R		12	14	16	18	20	22	24	25	28	29



Item	Code	Description	See page	QT
01	0501059734	BEARING DMO 225 X 1.5/8 IMP	20	01
02	0503010834	1/2 X 1 BOLT		04
03	0503010019	1/2" SPRING WASHER		04
04	0503010762	SCREW 5/8 UNC X 3.1/2 CS G.5 ZN		02
05	0503010027	5/8 SPRING WASHER		02
06	0503010013	5/8 UNC G.5 ZN HEX NUT		02
07	0502012626	CENTER OSCILLATING BEARING SUPPORT		01
08	0501213923	BEARING PROTECTION COVER		01



Item	Code	Description	See page	QT
01	0502020691	BEARING HUB		01
02	0503010005	32212 ROLLER BEARING		02
03	0502010899	AXLE CM/DM		01
04	0503030685	5.5" X 4.4" X 0.003" GASKET		01
05	0503030030	5.6" X 4.4" X 0.01" GASKET		02
06	0502020161	WEAR PLATE BEARING		01
07	0503010237	3/8" X 1" BOLT		06
08	0503011443	SPRING WASHER 3/8"		06
09	0503030027	DUO-CONE SEAL		02
10	0502040287	SEAL RETAINER		02
11	0502040239	OUTER FLANGE		01
12	0502040240	INNER FLANGE		01
13	0503010856	OIL PLUG R 3/8 BSPT		02



civemasa

Technical Publications | Elaboration and Revision

LUIZ CANDIDO

www.civemasa.com.br

