

**DISK HARROWS**

**GDCDH 44/48/52/56D - 1.1/4" SHAFT**  
**GDCDH 44/48/52/56D - EIXO 1.1/4"**

**Code:** 0501093925  
**Series:** S-0224  
**Revision:** 00  
**Revision Date:** NOVEMBER/2024

**PARTS**  
**CATALOGUE**

***CIVEMASA***



# PRODUCTS

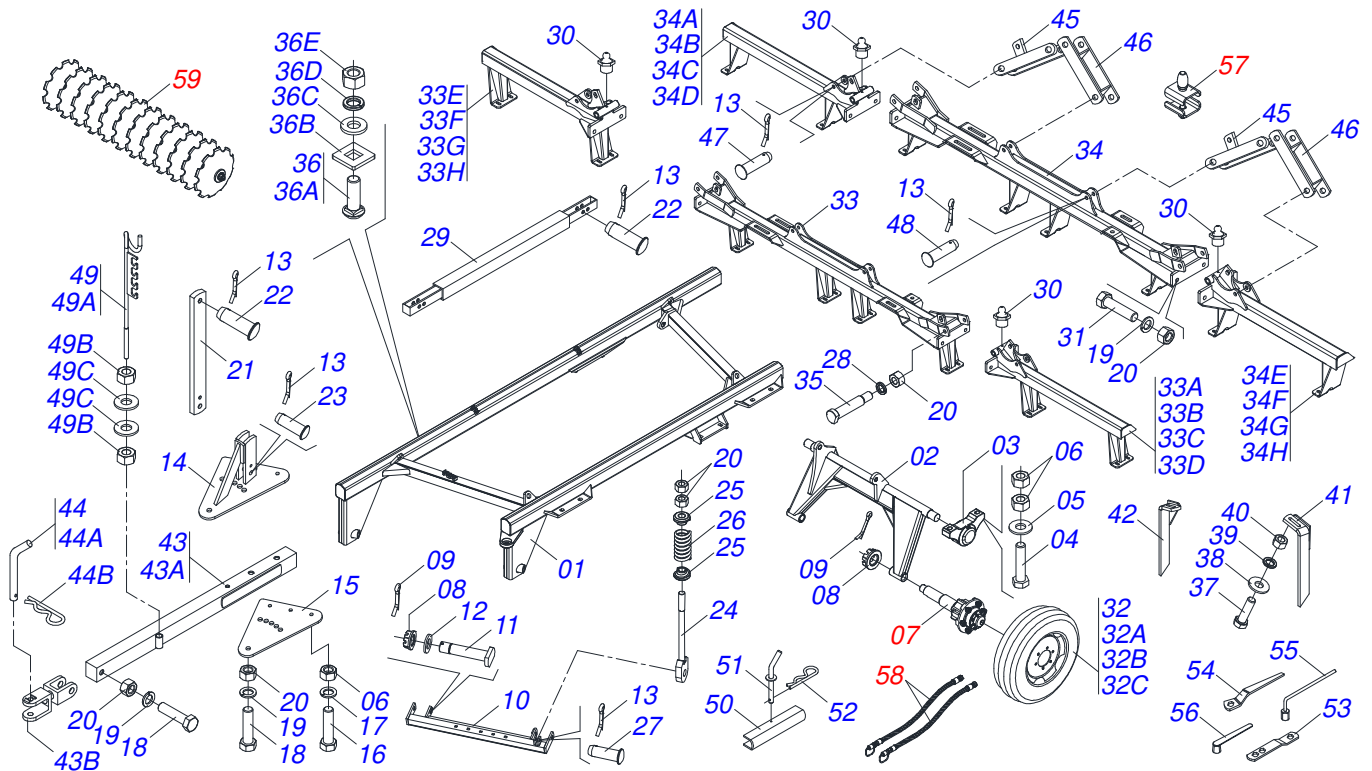
Code	Working Width	Description
0120450026C		GDCDH 44 X 22 X 4,50 MT DMO E 1.1/4 EXP S-0224
0120450026		GDCDH 44 X 22 X 4,50 MT DMO E 1.1/4 S-0224
0120450031		GDCDH 48 X 22 X 4,50 DR DMO E 1.1/4 S-0224
0120450025		GDCDH 48 X 22 X 4,50 MT DMO E 1.1/4 S-0224
0120450033		GDCDH 52 X 22 X 4,50 DR DMO E 1.1/4 S-0224
0120450027C		GDCDH 52 X 22 X 4,50 MT DMO E 1.1/4 EXP S-0224
0120450027		GDCDH 52 X 22 X 4,50 MT DMO E 1.1/4 S-0224
0120450028		GDCDH 56 X 20 X 3,50 MT DMO E 1.1/4 S-0224
0120450030C		GDCDH 56 X 22 X 4,50 DR DMO E 1.1/4 EXP S-0224
0120450030		GDCDH 56 X 22 X 4,50 DR DMO E 1.1/4 S-0224
0120450029C		GDCDH 56 X 22 X 4,50 MT DMO E 1.1/4 EXP S-0224
0120450029		GDCDH 56 X 22 X 4,50 MT DMO E 1.1/4 S-0224
0120450032		GDCDH 56 X 24 X 4,75 MT DMO E 1.1/4 S-0224

## ATTENTION: IMPORTANT

CIVEMASA reserves the right to improve and/or modify the technical features of its products, without obligation to do the same with those products already sold and without prior knowledge of the dealer or the customer. The photos are only illustrative.

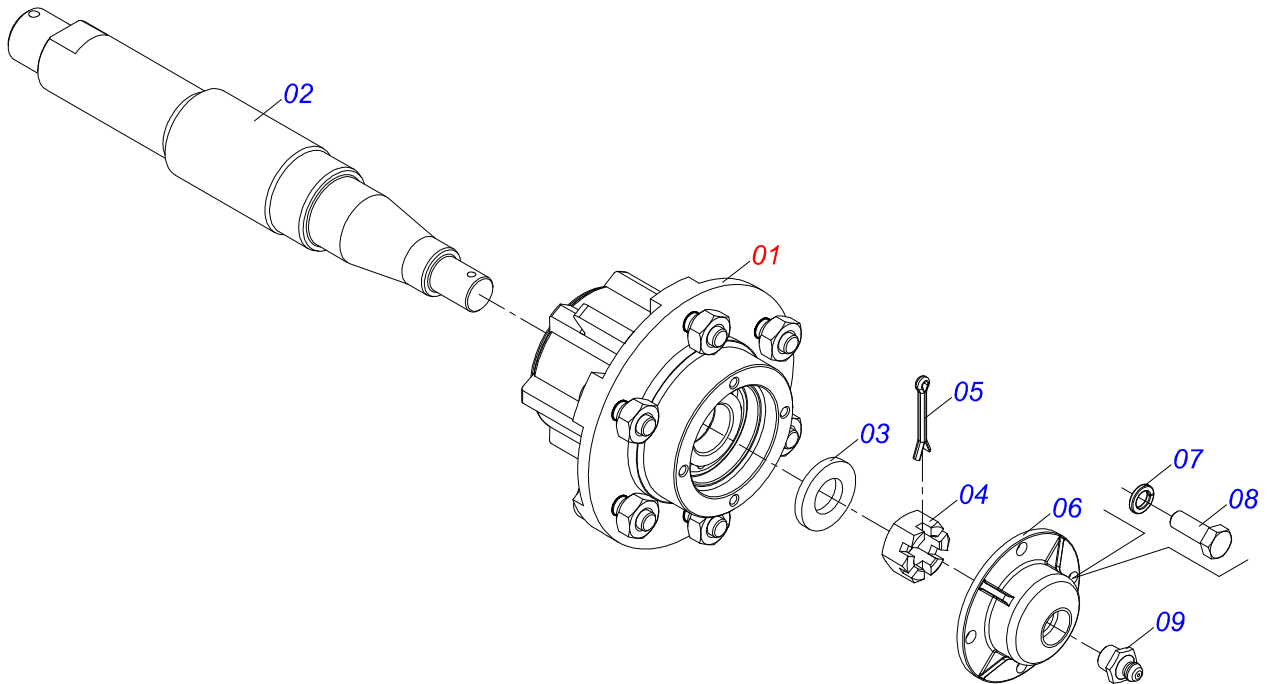
# INDEX

0909097428	FRAME ASSY - 44/48/52/56D	.....	1
0501051634	STUB SHAFT HUB ASSY	.....	2
0501051142	CARRYING WHEEL HUB	.....	3
0521055561	BEATER ASSY	.....	4
0909092452	HYDRAULIC CIRCUIT	.....	5
0511059180	HYDRAULIC CYLINDER 50,80 X 101,60 X 515 X 203	.....	6
0501044311	1.7"X3.4"X31"X15" HYDRAULIC CYLINDER	.....	7
0501053834	MALE QUICK COUPLER	.....	8
0909097429	DISC GANG - 44/48/52/56D (MIXED DISCS)	.....	9
0909097430	DISC GANG - 48/52/56D (NOTCHED DISCS)	.....	10
0521047189	7.58" X 1.1/4" BEARING WITH PROTECTION	.....	11
0521050842	7.58" X 1.1/4" BEARING	.....	12

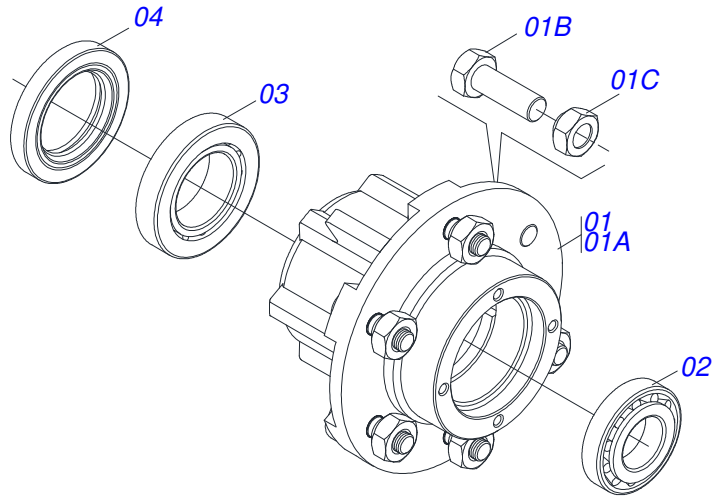


Item	Code	Description	See page	44	48	52	56
01	0521062562	FRAME		01	01	01	01
02	0501065518	CARRYING-WHEELS		01	01	01	01
03	0501110856	ARTICULATION BEARING		02	02	02	02
04	0503010797	3/4" X 4" BOLT		04	04	04	04
05	0501010322	20,50 X 46 X 4,00 ZN FLAT WASHER		04	04	04	04
06	0503010014	3/4" ZN G.5 (HEAVY) UNC HEX NUT		12	12	12	12
07	0501051634	STUB SHAFT HUB ASSY	2	02	02	02	02
08	0501011301	1.1/2" UNC 6FPP 2.5/16" NUT		04	04	04	04
09	0503010010	1/4" X 2.1/2" SPLIT PIN		04	04	04	04
10	0521062507	HITCH BAR		01	01	01	01
11	0531019497	1.5" X 9.2" ARTICULATED AXIS		02	02	02	02
12	0551012215	FLAT WASHER		02	02	02	02
13	0503010571	1/4" X 1.1/2" SPLIT PIN		17	17	17	17
14	0501066099	UPPER PLATE WITH SUPPORT		01	01	01	01
15	0501010241	UPPER /LOWER PLATE		01	01	01	01
16	0503011198	BOLT 3/4" UNC X 6" CS G.5		03	03	03	03
17	0503011442	3/4" SPRING WASHER		04	04	04	04
18	0501010060	1" X 6-1/2" BOLT		02	02	02	02
19	0503011438	SPRING WASHER		22	22	22	22
20	0501010059	1.5/8 NUT		24	24	24	24
21	0561019346	STABILIZER BAR TOWER		01	01	01	01
22	0521010575	C0.9" X 3.3" COUPLING SHAFT		03	03	03	03
23	0521010576	0.9" X 3.7" COUPLING SHAFT		01	01	01	01
24	0501064698	SPRING ROD		01	01	01	01
25	0502020392	SPRING SUPPORT		02	02	02	02
26	0503030441	12.7" X 5.7" X 0.5"SPRING		01	01	01	01
27	0521010592	1.1" X 3.1" COUPLING SHAFT		01	01	01	01
28	0503010012	1" SPRING WASHER		02	02	02	02
29	0501064696	STABILIZER BAR		01	01	01	01
30	0503010002	1800 GREASE FITTING		04	04	04	04
31	0501010276	BOLT		08	08	08	08
32	0503060091	L 29.5" X 0.63"-10L WHEEL AND TIRE ASSY		02	02	02	02

Item	Code	Description	See page	44	48	52	56
32A	0503010893	WHEEL		01	01	01	01
32B	0503010033	7.50 X 16 INNER TIRE		01	01	01	01
32C	0503010120	CANVAS TIRE		01	01	01	01
33	0501065112	CENTRAL FRONT FRAME - 44/48/52/56D		01	01	01	01
33A	0501065117	LEFT FRONT FRAME - 44D		01	00	00	00
33B	0521063291	LEFT FRONT FRAME - 48D		00	01	00	00
33C	0521063486	LEFT FRONT FRAME - 52D		00	00	01	00
33D	0521063482	LEFT FRONT FRAME - 56D		00	00	00	01
33E	0501065113	RIGHT FRONT FRAME - 44D		01	00	00	00
33F	0521063292	RIGHT FRONT FRAME - 48D		00	01	00	00
33G	0521063487	RIGHT FRONT FRAME - 52D		00	00	01	00
33H	0521063483	RIGHT FRONT FRAME - 56D		00	00	00	01
34	0501065134	CENTRAL REAR FRAME - 44/48/52/56D		01	01	01	01
34A	0501065121	RIGHT REAR FRAME - 44D		01	00	00	00
34B	0521063294	RIGHT REAR FRAME - 48D		00	01	00	00
34C	0521063488	RIGHT REAR FRAME - 52D		00	00	01	00
34D	0521068542	RIGHT REAR FRAME - 56D		00	00	00	01
34E	0501065125	LEFT REAR FRAME - 44D		01	00	00	00
34F	0521063293	LEFT REAR FRAME - 48D		00	01	00	00
34G	0521063489	LEFT REAR FRAME - 52D		00	00	01	00
34H	0521068543	LEFT REAR FRAME - 56D		00	00	00	01
35	0501010660	1" X 1-3/4" X 11.4" COUPLING SHAFT		04	04	04	04
36	0501040877	C1" X 3-1/2" BOLT ASSY		07	07	07	07
36A	0501010171	BOLT 1 UNC X 3.1/2 C S G.5		01	01	01	01
36B	0502012861	1" SQUARE WASHER		01	01	01	01
36C	0501010065	1" SPRING WASHER		01	01	01	01
36D	0503010012	1" SPRING WASHER		01	01	01	01
36E	0501010059	1.5/8 NUT		01	01	01	01
37	0503011082	C1/2" X 1.3/4" SCREW		34	38	42	46
38	0511017302	FLAT WASHER 13,50 X 32,50 X 3,0 ZN		34	38	42	46
39	0503010019	1/2" SPRING WASHER		34	38	42	46
40	0503010060	1/2 UNC G.5 ZN HEX NUT		34	38	42	46
41	0501063963	FRONT SCRAPER		13	15	17	19
42	0501063962	REAR SCRAPER		13	15	17	19
43	0501041096	DRAWBAR ASSY		01	01	01	01
43A	0501060188	DRAWBAR ASSY		01	01	01	01
43B	0501060190	TRACTOR HITCH		01	01	01	01
44	0501040343	HITCH AXIS ASSY		01	01	01	01
44A	0501010523	DRAWBOLT		01	01	01	01
44B	0503031035	HITCH PIN CLIP		01	01	01	01
45	0501065130	DRIVER ARM		04	04	04	04
46	0501065131	DRIVER PIVOT		04	04	04	04
47	0521010585	0.9" X 5.9" COUPLING SHAFT		04	04	04	04
48	0521012532	0.9" X 3.9" COUPLING SHAFT		04	04	04	04
49	0501040257	3/4" X 38" HOSE SUPPORT ASSY		01	01	01	01
49A	0511067334	HOSE SUPPORT		01	01	01	01
49B	0503010014	3/4" ZN G.5 (HEAVY) UNC HEX NUT		02	02	02	02
49C	0501010322	20,50 X 46 X 4,00 ZN FLAT WASHER		02	02	02	02
50	0511010839	TRANSPORT LOCK 7.9" X 2.1" X 0.4"		01	01	01	01
51	0501068994	8,30 X 78 LOCK PIN		01	01	01	01
52	0503030168	HITCH PIN CLIP		01	01	01	01
53	0511018451	5/8" X 3/4" X 1" UNIVERSAL		01	01	01	01
54	0501010198	1-1/4" CABLE FLAT WRENCH		02	02	02	02
55	0501068273	5/8" WRENCH		01	01	01	01
56	0501061617	1" GANG BOLT WRENCH		01	01	01	01
57	0521055561	BEATER ASSY	4	04	04	04	04
58		HYDRAULIC CIRCUIT	5				
59		DISC GANG - 44/48/52/56D (MIXED DISCS)	9				
59.		DISC GANG - 48/52/56D (NOTCHED DISCS)	10				

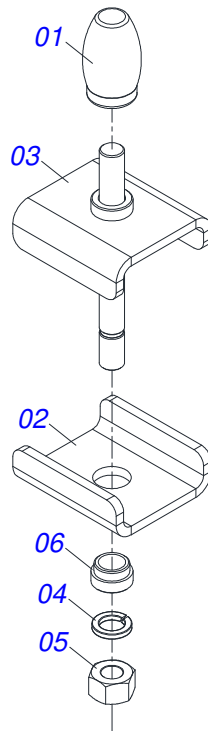


Item	Code	Description	See page	QT
01	0501051142	CARRYING WHEEL HUB	3	01
02	0521010821	2.5" X 16.5" AXLE		01
03	0501016545	FLAT WASHER		01
04	0503030009	1" CASTLE NUT		01
05	0503010018	5/32" X 1-1/2" SPLIT PIN		01
06	0502020591	PROTECTION LID		01
07	0503011444	SPRING WASHER 5/16"		04
08	0503010358	5/16" X 5/8" BOLT		04
09	0503010002	1800 GREASE FITTING		01



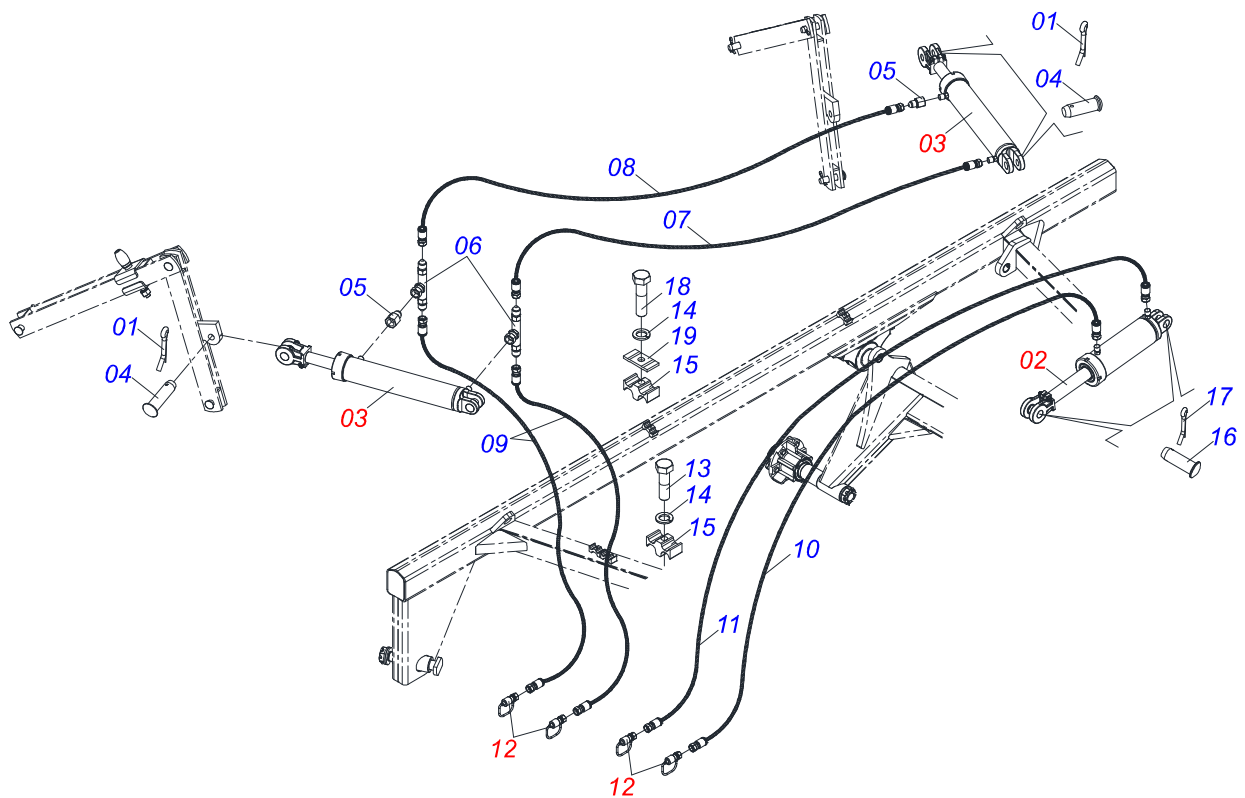
Item	Code	Description	See page	QT
01	0501110728	WHEEL HUB		01
01A	0502011121	CARRYING WHEEL HUB		01
01B	0501010127	9/16" X 1-7/8" LUG BOLT		06
01C	0503010035	9/16" CONIC NUT		06
02	0503010037	30207 ROLLER BEARING		01
03	0503010006	32210 ROLLER BEARING		01
04	0503012928	SEAL		01

**BEATER ASSY**

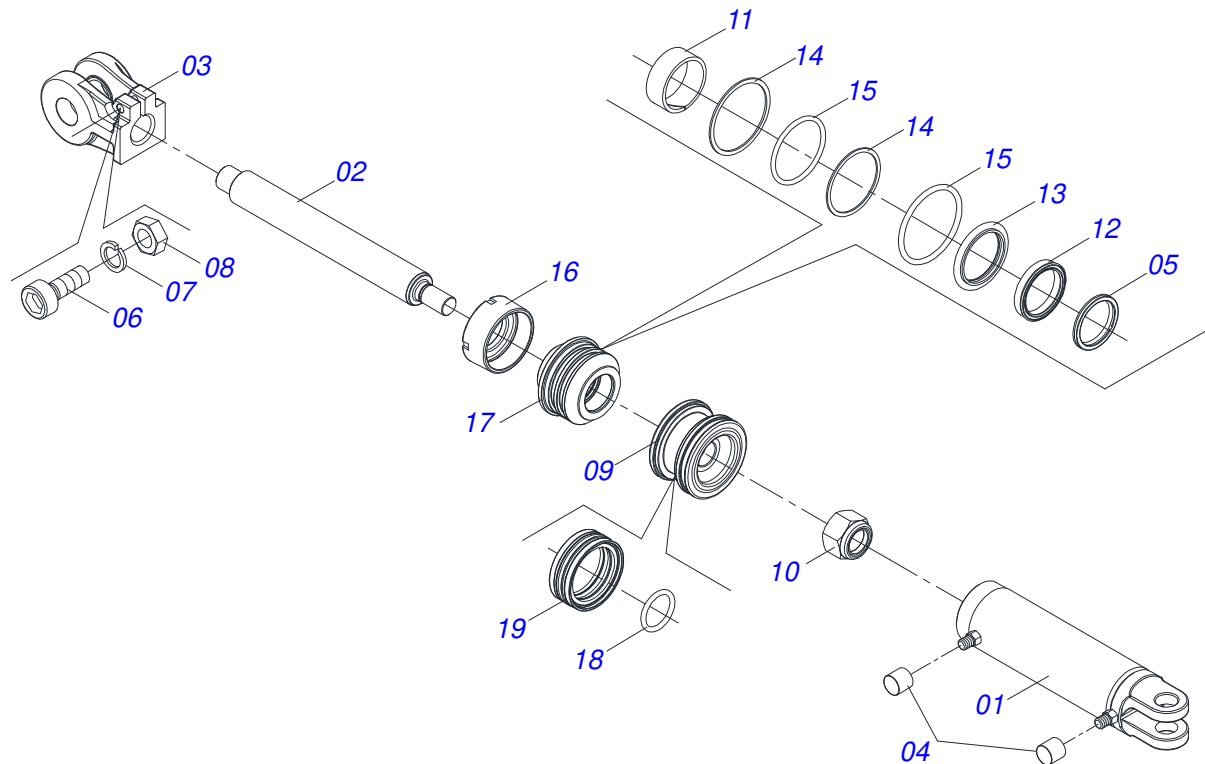


Item	Code	Description	See page	QT
01	0503030403	1.85" X 2.87" BEATER		01
02	0591010099	U 101 X 35 X 8.00 X 110 WITH HOLE		01
03	0521069814	BEATER SUPPORT		01
04	0503010023	3/4" SPRING WASHER		01
05	0503010014	3/4" ZN G.5 (HEAVY) UNC HEX NUT		01
06	0561017561	BUSHING		01

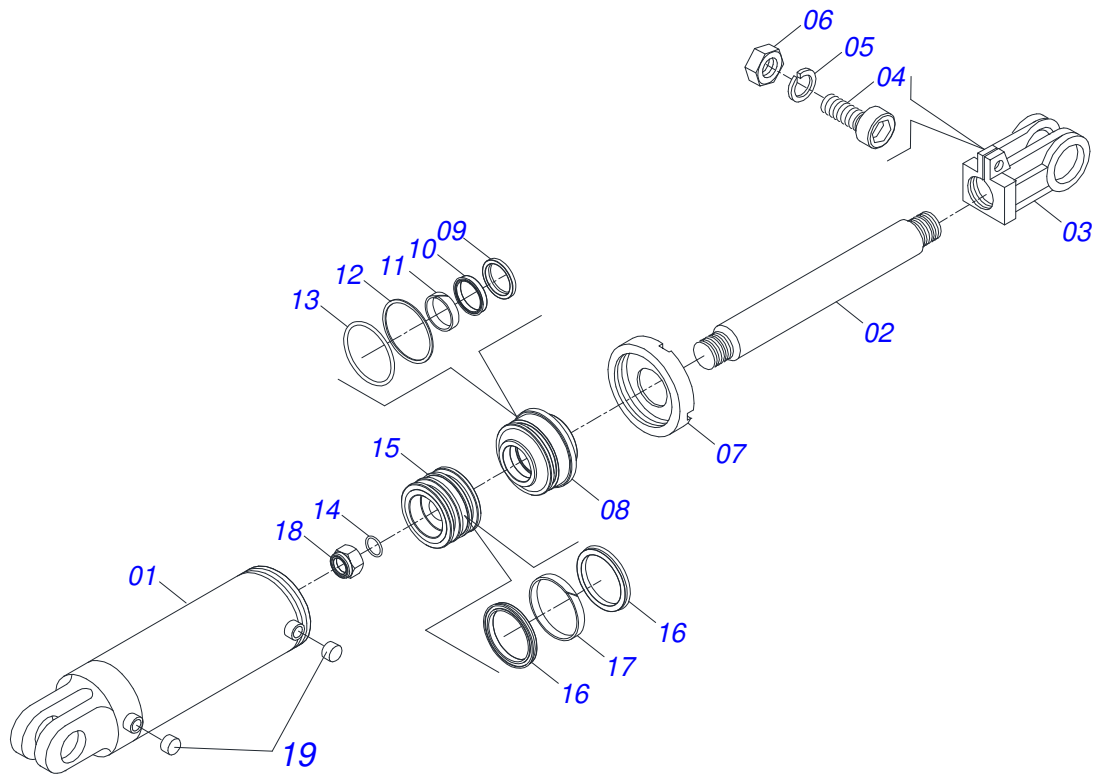




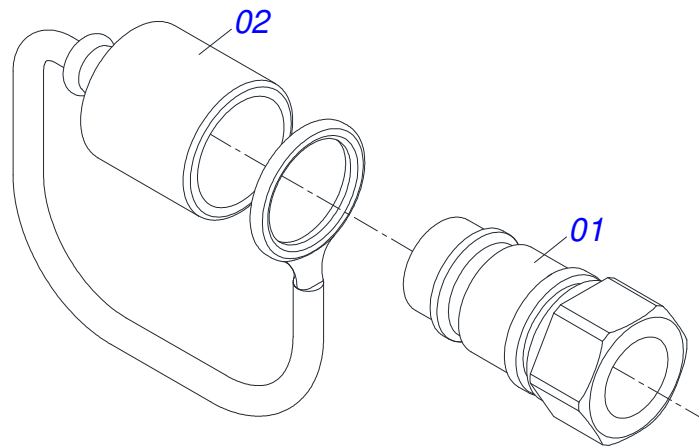
Item	Code	Description	See page	QT
01	0503010571	1/4" X 1.1/2" SPLIT PIN		17
02	0511059180	HYDRAULIC CYLINDER 50,80 X 101,60 X 515 X 203	6	01
03	0501044311	1.7"X3.4"X31"X15" HYDRAULIC CYLINDER	7	02
04	0521010576	0.9" X 3.7" COUPLING SHAFT		04
05	0511018012	HIDRAULIC ADAPTER		02
06	0501065219	T ADAPTER WITH SWIVEL NUT		02
07	0501080379	3/8" X 118.11" TR-TR HOSE		01
08	0501080403	3/8" X 137.79" TR-TR HOSE		01
09	0501080430	3/8" X 161.41" TC-TM HOSE		02
10	0501080443	3/8" X 236.22" TR-TM HOSE		01
11	0501080444	3/8" X 250" TR-TM HOSE		01
12	0501053834	MALE QUICK COUPLER	8	04
13	0503012555	7/16" UNC X 2" CS RT G.7 ZN SCREW		02
14	0503010180	7/16" SPRING WASHER		04
15	0502012702	BODY SUPPORT CLAMP		04
16	0521012538	1.2" X 3.5" COUPLING SHAFT		02
17	0503010523	1/4 X 2 SPLIT PIN		02
18	0503011103	BOLT 7/16" UNC X 2.1/2" C S G.5 ZN		02
19	0531011180	SUPPORT		02



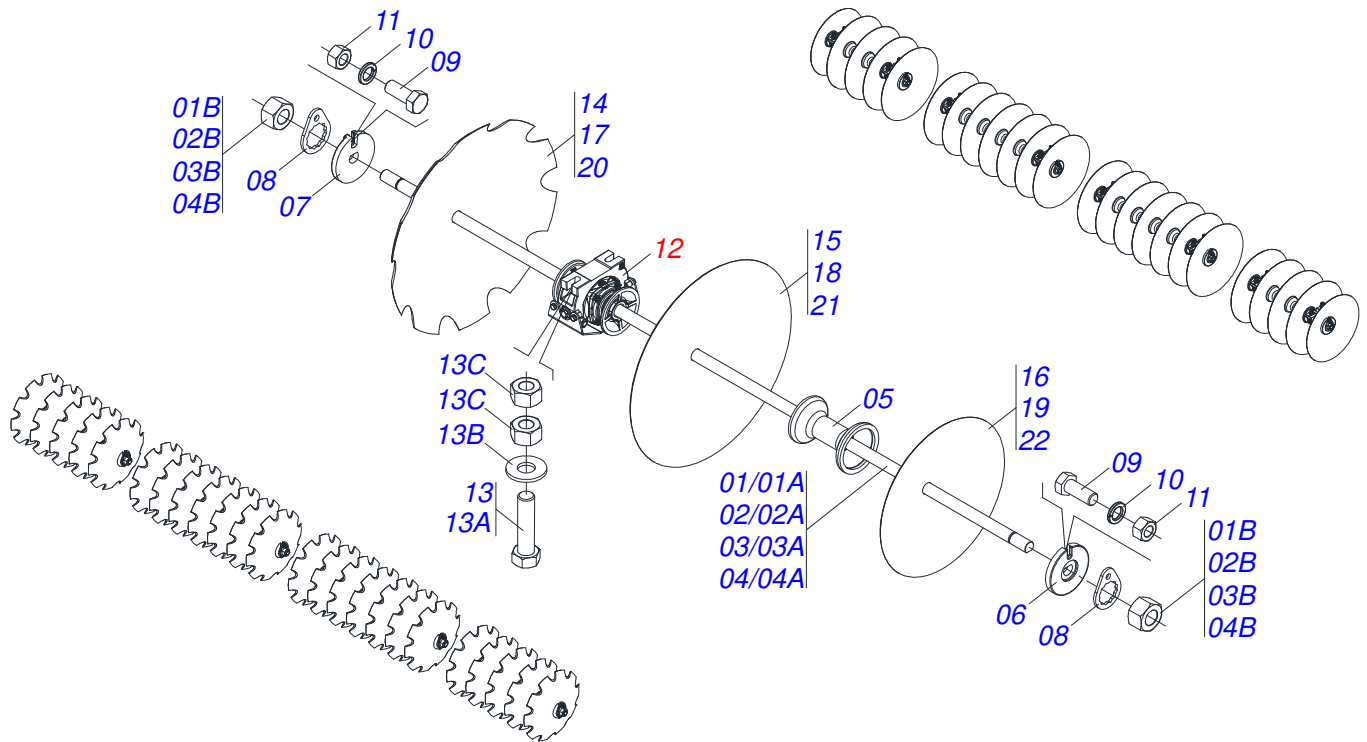
Item	Code	Description	See page	QT
01	0511070658	CYLINDER CASE 101,6 X 394		01
02	0571019958	HYDRAULIC CYLINDER TURNBUCKLE		01
03	0502040747	32.54 CLEVIS CLAMP		01
04	0503030385	CYLINDER PLUG N-002		02
05	0503010039	D-2000 SCRAPER RING		01
06	0503011094	BOLT 3/8" UNC X 2" C C S I 12.9		01
07	0503011443	SPRING WASHER 3/8"		01
08	0503010026	3/8" NUT		01
09	0502012820	2" X 4" PISTON		01
10	0503010817	1.1/4" SELF LOCKING NUT		01
11	0503018025	RING GUIDE W2-2250-750		01
12	0503018026	GASKET 1870-2000-375 B POLYMAX		01
13	0503018024	RING BS OD050805200171D-BR		01
14	0503011061	8-342 BACK-UP RING		02
15	0503010338	2-342 N 3006-9B O'RING		02
16	0502012822	END CAP 4"		01
17	0502012821	2" X 4" RING SUPPORT		01
18	0503018029	O'RING 2-217 N 3006 90B		01
19	0503015633	SELEMASTER SEALING		01



Item	Code	Description	See page	QT
01	0501065363	2.4" X 16" CYLINDER CASE		01
02	0511013609	1.7" X 27" TURNBUCLE		01
03	0502040493	CLEVIS 26,50 R41		01
04	0503011094	BOLT 3/8" UNC X 2" C C S I 12.9		01
05	0503010025	3/8" SPRING WASHER		01
06	0503010026	3/8" NUT		01
07	0502010993	MOBILE LID		01
08	0502010781	RING SUPPORT		01
09	0503010761	D-1750 SCRAPER RING		01
10	0503010949	W2-2000-500 PK RING G.E		01
11	0503010990	GASKET		01
12	0503010976	2-336 N 3006-9B O'RING		01
13	0503011060	8-336 BACK-UP RING		01
14	0503010042	2-214 N 3006-9B O'RING		01
15	0502010843	1.8" X 3.4" PISTON		01
16	0503010170	PACKING 3120 2750		02
17	0503010948	W4-3346-590 PK RING G.E		01
18	0503010063	1" SELF-ALIGNING NUT		01
19	0503030385	CYLINDER PLUG N-002		02
20	0501031796	HYDRAULIC CYLINDER REPAIR KIT		

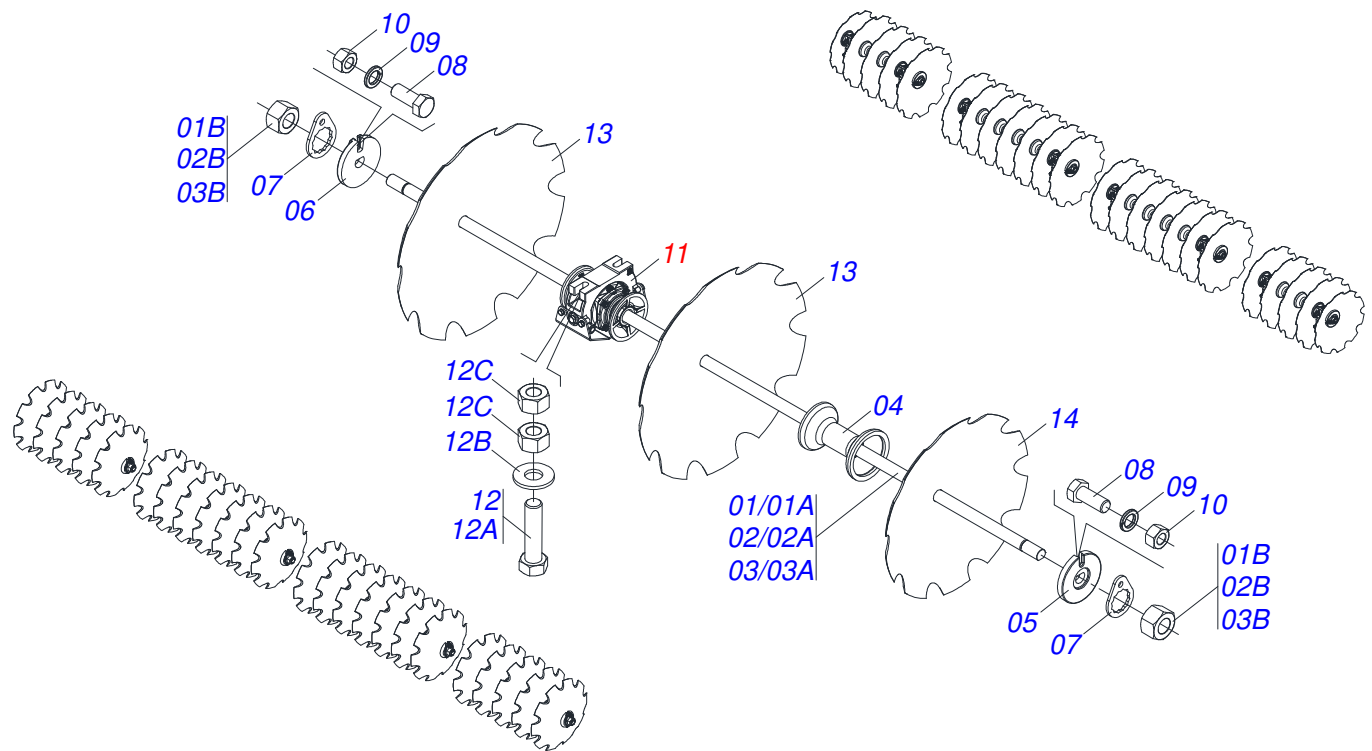


Item	Code	Description	See page	QT
01	0503011627	MALE QUICK COUPLER AGR 1/2 NPT		01
02	0503011882	MALE QUICK COUPLER CAP		01

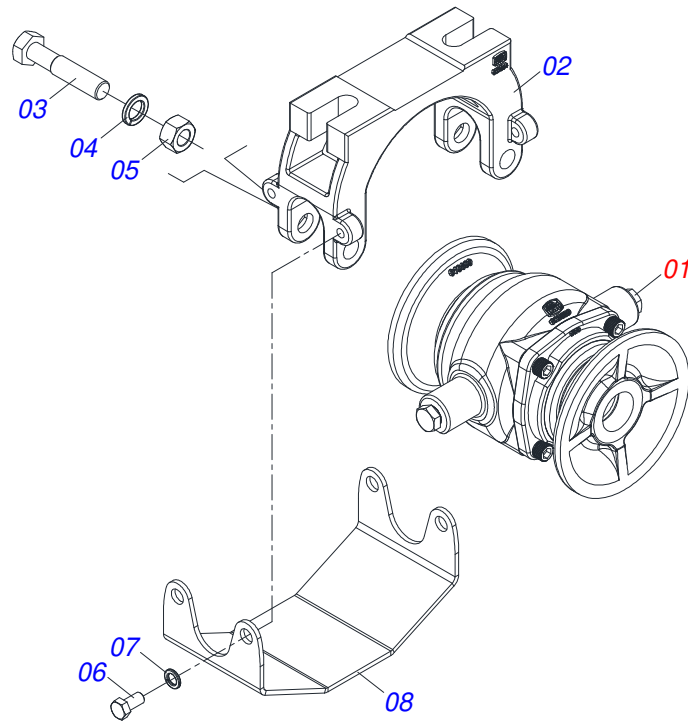


Item	Code	Description	See page	44	48	52	56
01	0501042407	1-1/4" X 27" AXLE WITH NUTS		04	00	00	00
01A	0501016648	1-1/4" X 27" AXLE		01	00	00	00
01B	0501010087	1.1/4" NUT		02	00	00	00
02	0501042202	1-1/4" X 50" AXLE WITH NUTS		04	04	04	08
02A	0501016650	1-1/4" X 50" AXLE		01	01	01	01
02B	0501010087	1.1/4" NUT		02	02	02	02
03	0501042262	1-1/4" X 35" AXLE WITH NUTS		00	04	00	00
03A	0501016647	1-1/4" X 35" AXLE		00	01	00	00
03B	0501010087	1.1/4" NUT		00	02	00	00
04	0501042201	1.1/4" X 1090 AXLE WITH NUTS		00	00	04	00
04A	0501016649	1.1/4" X 1090 AXLE		00	00	01	00
04B	0501010087	1.1/4" NUT		00	00	02	00
05	0502010549	7.6" X 1-1/4" SPACER		20	24	28	32
06	0502010834	1-1/4" INNER AXLE WASHER		08	08	08	08
07	0502010835	1-1/4" EXTERNAL AXLE WASHER		08	08	08	08
08	0501010455	1.1/4" NUT LOCK		16	16	16	16
09	0503010395	1/2" X 1-1/4" BOLT		16	16	16	16
10	0503010019	1/2" SPRING WASHER		16	16	16	16
11	0503010060	1/2 UNC G.5 ZN HEX NUT		16	16	16	16
12	0521047189	7.58" X 1.1/4" BEARING WITH PROTECTION	11	16	16	16	16
13	0521059224	BOLT ASSEMBLY 5/8 UNC X 2.3/4		32	32	32	32
13A	0501013233	5/8" X 2-3/4" BOLT		01	01	01	01
13B	0501012140	FLAT WASHER 16,50 X 40 X 4,00 ZN		01	01	01	01
13C	0503010013	5/8 UNC G.5 ZN HEX NUT		02	02	02	02
14	0602027340	DR 20 X 3,50 C57AF02FR1.5/16 10R		00	00	00	28
15	0601027301	DL 20 X 3,50 C57AF02FR1.5/16		00	00	00	26
16	0601025251	DL 18 X 3,50 C45AF02FR1.5/16		00	00	00	02
17	0602029421	DR 22 X 4,50 C64AF02FR1.5/16 10R		22	24	26	28
18	0601029417	DL 22 X 4,50 C64AF02FR1.5/16		20	22	24	26
19	0601027301	DL 20 X 3,50 C57AF02FR1.5/16		02	02	02	02
20	0602030415	DR 24 X 4,75 C66AF02FR1.5/16 D126 10R		00	00	00	28
21	0601031133	DL 24 X 4,75 C66AF02FR1.5/16		00	00	00	26

<b>Item</b>	<b>Code</b>	<b>Description</b>	<b>See page</b>	<b>44</b>	<b>48</b>	<b>52</b>	<b>56</b>
22	0601029422	DL 22 X 4,50 C64AF02FR1.5/16		00	00	00	02

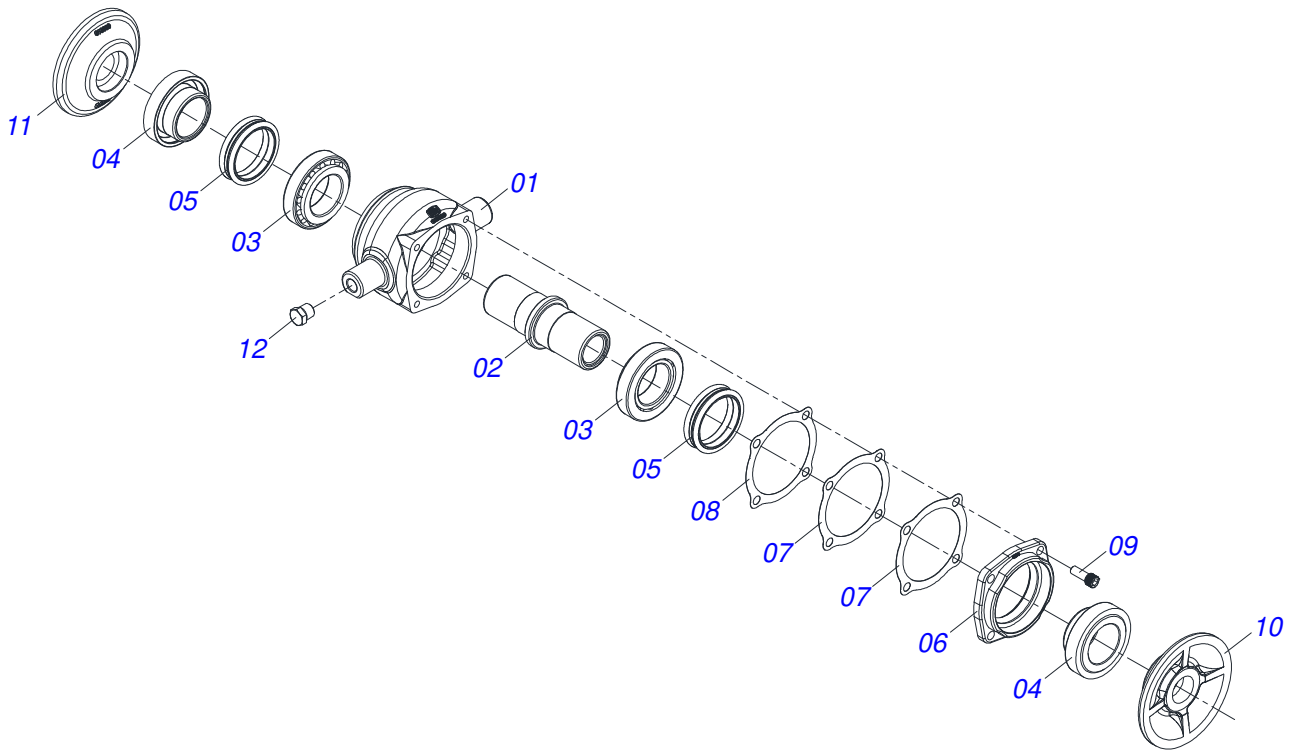


Item	Code	Description	See page	48	52	56
01	0501042202	1-1/4" X 50" AXLE WITH NUTS		04	04	08
01A	0501016650	1-1/4" X 50" AXLE		01	01	01
01B	0501010087	1.1/4" NUT		02	02	02
02	0501042262	1-1/4" X 35" AXLE WITH NUTS		04	00	00
02A	0501016647	1-1/4" X 35" AXLE		01	00	00
02B	0501010087	1.1/4" NUT		02	00	00
03	0501042201	1.1/4" X 1090 AXLE WITH NUTS		00	04	00
03A	0501016649	1.1/4" X 1090 AXLE		00	01	00
03B	0501010087	1.1/4" NUT		00	02	00
04	0502010549	7.6" X 1-1/4" SPACER		24	28	32
05	0502010834	1-1/4" INNER AXLE WASHER		08	08	08
06	0502010835	1-1/4" EXTERNAL AXLE WASHER		08	08	08
07	0501010455	1.1/4" NUT LOCK		16	16	16
08	0503010395	1/2" X 1-1/4" BOLT		16	16	16
09	0503010019	1/2" SPRING WASHER		16	16	16
10	0503010060	1/2 UNC G.5 ZN HEX NUT		16	16	16
11	0521047189	7.58" X 1.1/4" BEARING WITH PROTECTION	11	16	16	16
12	0521059224	BOLT ASSEMBLY 5/8 UNC X 2.3/4		32	32	32
12A	0501013233	5/8" X 2-3/4" BOLT		01	01	01
12B	0501012140	FLAT WASHER 16,50 X 40 X 4,00 ZN		01	01	01
12C	0503010013	5/8 UNC G.5 ZN HEX NUT		02	02	02
13	0602029421	DR 22 X 4,50 C64AF02FR1.5/16 10R		46	50	54
14	0602027342	DR 20 X 4,50 C57AF02FR1.5/16 10R		00	02	02
14.	0602027340	DR 20 X 3,50 C57AF02FR1.5/16 10R		02	00	00



Item	Code	Description	See page	QT
01	0521050842	7.58" X 1.1/4" BEARING	12	01
02	0502012854	BEARING SUPPORT 182/192,5		01
03	0501011541	5/8 UNC X 3 CS G.5 ZN1K28066 BOLT		02
04	0503010027	5/8 SPRING WASHER		02
05	0503010013	5/8 UNC G.5 ZN HEX NUT		02
06	0503011334	3/8 UNC X 3/4 CS G.5 ZN BOLT		04
07	0503010025	3/8" SPRING WASHER		04
08	0581014143	SWIVEL OIL BATH BEARING WEAR PLATE		01





Item	Code	Description	See page	QT
01	0502012839	BEARING HOUSING 182/192,5		01
02	0502040060	AXLE CM/DM 182/192,5 SKF 32210		01
03	0503010006	32210 ROLLER BEARING		02
04	0502010541	SEAL HOLDER		02
05	0503030026	SEAL LP JB-253		02
06	0502020424	HOUSING CAP 182/192,225		01
07	0503030013	4.4" X 3.5" X 0.004" JOINT		02
08	0503030684	4.4" X 3.5" X 0.004" JOINT		01
09	0503010134	3/8" X 1" BOLT		04
10	0502010070	OUTER FLANGE		01
11	0502010071	INNER FLANGE		01
12	0503010856	OIL PLUG R 3/8 BSPT		02





***civemasa***

**Technical Publications | Elaboration and Revision**  
LEONARDO JOSÉ DA SILVA SOUZA

[www.civemasa.com.br](http://www.civemasa.com.br)

