

**DISK HARROWS**

**GIPCR 300 - 20/22/24/26/28/30 - AXLE 2.1/8" –  
DOUBLE WHEEL**

**GIPCR 300 - 20/22/24/26/28/30 - EIXO 2.1/8" -  
RODADO DUPLO**

**Code:** 0501093924  
**Series:** S-0923  
**Revision:** 00  
**Revision Date:** JUNE/2024

**PARTS  
CATALOGUE**

***CIVEMASA***




# PRODUCTS

Code	Working Width	Description
0120880061		GIPCR 300 20X30X7,5 DR DMO E 2.1/8 RD S-0923
0120880060		GIPCR 300 22X30X7,5 DR DMO E 2.1/8 RD S-0923
0120880059		GIPCR 300 24X30X7,5 DR DMO E 2.1/8 RD S-0923
0120880058		GIPCR 300 26X30X7,5 DR DMO E 2.1/8 RD S-0923
0120880057		GIPCR 300 28X30X7,5 DR DMO E 2.1/8 RD S-0923
0120880056		GIPCR 300 30X30X7,5 DR DMO E 2.1/8 RD S-0923

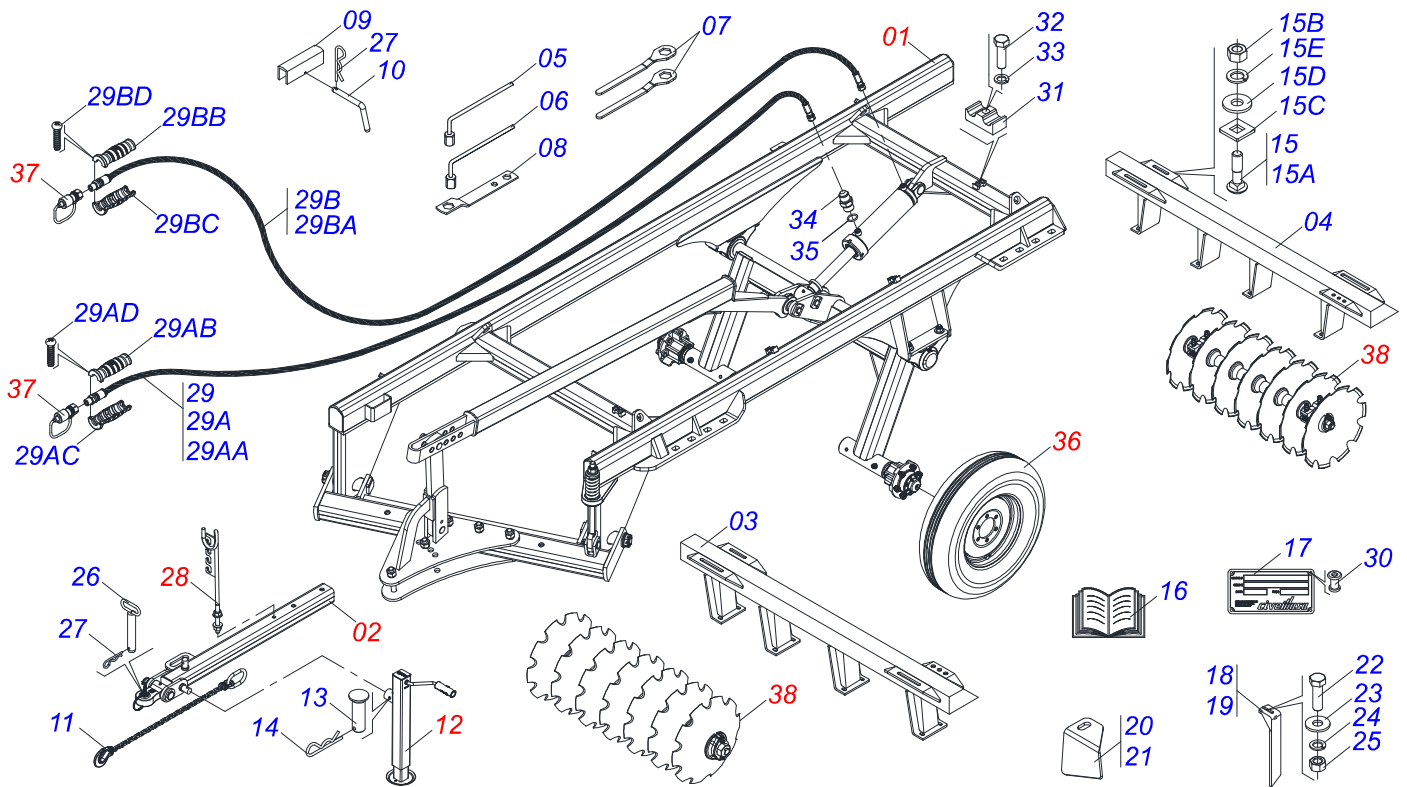
## ATTENTION: IMPORTANT

CIVEMASA reserves the right to improve and/or modify the technical features of its products, without obligation to do the same with those products already sold and without prior knowledge of the dealer or the customer. The photos are only illustrative.



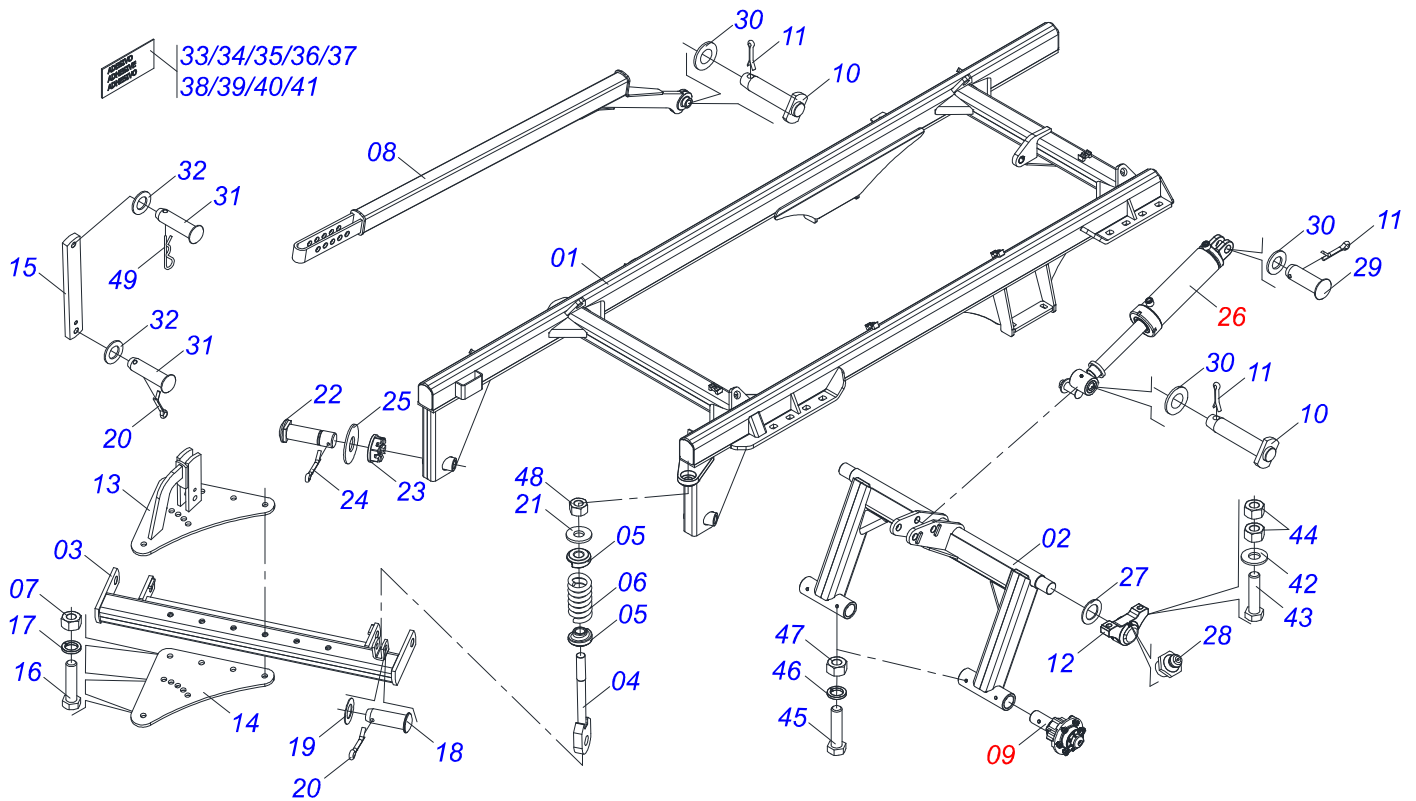
# INDEX

0909097243	ASSY FRAME - 20/22/24/26/28/30	.....	1
0521049105	DOUBLE WHEEL FULL FRAME	.....	2
0501054931	STUB SHAFT & HUB	.....	3
0511050166	50,80 X 101,60 X 561 X 251 HYDRAULIC CYLINDER	.....	4
0521048502	TRACTION BAR ASSY	.....	5
0521057520	HITCH ASSY	.....	6
0503062157	DRAWBAR JACK	.....	7
0501040257	3/4" X 38" HOSE SUPPORT ASSY	.....	8
0503060091	L 29.5" X 0.63"-10L WHEEL AND TIRE ASSY	.....	9
0501053834	MALE QUICK COUPLER	.....	10
0909097244	DISC GANG ASSY	.....	11
0531045460	AGRICULTURAL BEARING DMO 292 X 2.1/8 WITH SUPPORT	.....	12
0541052221	AGRICULTURAL BEARING DMO 292 X 2.1/8	.....	13



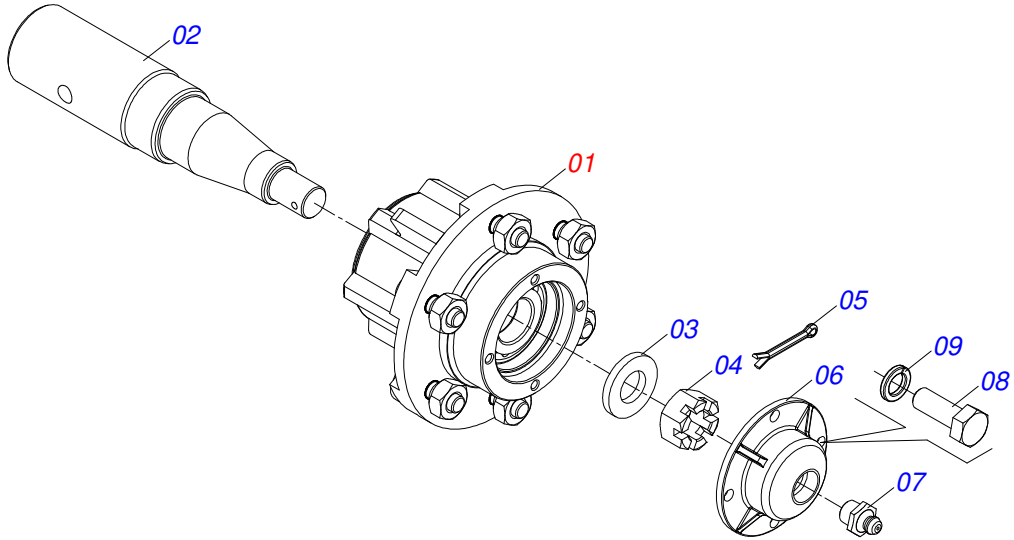
Item	Code	Description	See page	20	22	24	26	28	30
01	0521049105	DOUBLE WHEEL FULL FRAME	2	01	01	01	01	01	01
02	0521048502	TRACTION BAR ASSY	5	01	01	01	01	01	01
03	0521068757	FRONT FRAME - 20D		01	00	00	00	00	00
03.	0521068686	FRONT FRAME - 22D		00	01	00	00	00	00
03..	0521068669	FRONT FRAME - 24D		00	00	01	00	00	00
03...	0521068489	FRONT FRAME - 26D		00	00	00	01	00	00
03....	0521068421	FRONT FRAME - 28D		00	00	00	00	01	00
03.....	0521068461	FRONT FRAME - 30D		00	00	00	00	00	01
04	0521068693	REAR FRAME - 20D		01	00	00	00	00	00
04.	0521068670	REAR FRAME - 22D		00	01	00	00	00	00
04..	0521068665	REAR FRAME - 24D		00	00	01	00	00	00
04...	0521068470	REAR FRAME - 26D		00	00	00	01	00	00
04....	0521068442	REAR FRAME - 28D		00	00	00	00	01	00
04.....	0521068468	REAR FRAME - 30D		00	00	00	00	00	01
05	0503015723	WRENCH CYLINDRICAL 7/8		01	01	01	01	01	01
06	0501061617	1" GANG BOLT WRENCH		01	01	01	01	01	01
07	0501316941	KEY 2.1/8 AND 2.1/2		02	02	02	02	02	02
08	0511018451	5/8" X 3/4" X 1" UNIVERSAL		01	01	01	01	01	01
09	0551010280	253 TRANSPORT LOCK		01	01	01	01	01	01
10	0541016844	FIXER LOCK		01	01	01	01	01	01
11	0503013150	1300 X 3/8" CHAIN		01	01	01	01	01	01
12	0503062157	DRAWBAR JACK	7	01	01	01	01	01	01
13	0521010549	COUPLING SHAFT		01	01	01	01	01	01
14	0503030285	HITCH PIN CLIP		01	01	01	01	01	01
15	0501040877	C1" X 3-1/4" BOLT ASSY		08	08	08	08	08	08
15A	0501010171	BOLT 1 UNC X 3.1/2 C S G.5		01	01	01	01	01	01
15B	0501010059	1.5/8 NUT		01	01	01	01	01	01
15C	0502012861	1" SQUARE WASHER		01	01	01	01	01	01
15D	0501010065	1" SPRING WASHER		01	01	01	01	01	01
15E	0503010012	1" SPRING WASHER		01	01	01	01	01	01
16	0511032898	BAG WITH INSTRUCTION MANUAL		01	01	01	01	01	01
17	0503034004	ALUMINUM IDENTIFICATION DECAL		01	01	01	01	01	01

Item	Code	Description	See page	20	22	24	26	28	30
18	0501064168	FRONT SCRAPER		05	05	05	06	07	08
19	0501064167	REAR SCRAPER		05	05	05	06	07	08
20	0561019424	REAR BEARING CLEANER		04	04	04	05	06	06
21	0561019423	FRONT LEVER CLEANER		04	04	04	05	06	06
22	0503011082	C1/2" X 1.3/4" SCREW		20	24	28	32	36	32
23	0511017302	FLAT WASHER 13,50 X 32,50 X 3,0 ZN		20	24	28	32	36	32
24	0503010019	1/2" SPRING WASHER		20	24	28	32	36	32
25	0503010060	1/2 UNC G.5 ZN HEX NUT		20	24	28	32	36	32
26	0501069080	COUPLING SHAFT		01	01	01	01	01	01
27	0503030168	HITCH PIN CLIP		02	02	02	02	02	02
28	0501040257	3/4" X 38" HOSE SUPPORT ASSY	8	01	01	01	01	01	01
29	0531050998	HOSE GAME		01	01	01	01	01	01
29A	0531050997	3/8" X 276" TC-TM BLACK/BLUE HOSE		01	01	01	01	01	01
29AA	0501080477	3/8" X 276" TC-TM HOSE		01	01	01	01	01	01
29AB	0503034492	HYDRAULIC HOSE GRIP (BLACK)		01	01	01	01	01	01
29AC	0503034494	HYDRAULIC HOSE GRIP (BLUE)		01	01	01	01	01	01
29AD	0503018952	PH 2,5 X 10 ZB PLASTIC BOLT		06	06	06	06	06	06
29B	0531050996	3/8" X 263" TC-TM BLACK/RED HOSE		01	01	01	01	01	01
29BA	0501080476	3/8" X 263" TC-TM HOSE		01	01	01	01	01	01
29BB	0503034495	HYDRAULIC HOSE GRIP (RED)		01	01	01	01	01	01
29BC	0503034492	HYDRAULIC HOSE GRIP (BLACK)		01	01	01	01	01	01
29BD	0503018952	PH 2,5 X 10 ZB PLASTIC BOLT		06	06	06	06	06	06
30	0503010001	RIVET 3,2 X 5,5		04	04	04	04	04	04
31	0502010477	HOSE CLAMP		04	04	04	04	04	04
32	0503011135	BOLT 7/16" UNC X 1.1/2" C S G.5 ZN		04	04	04	04	04	04
33	0503010180	7/16" SPRING WASHER		04	04	04	04	04	04
34	0501010617	NIPLE 3/4" NF X 3/4" NF HEX. 7/8" X 44		02	02	02	02	02	02
35	0503010190	2-114 N 3006-9B O'RING		02	02	02	02	02	02
36	0503060091	L 29.5" X 0.63"-10L WHEEL AND TIRE ASSY	9	04	04	04	04	04	04
37	0501053834	MALE QUICK COUPLER	10	02	02	02	02	02	02
38		DISC GANG ASSY	11						



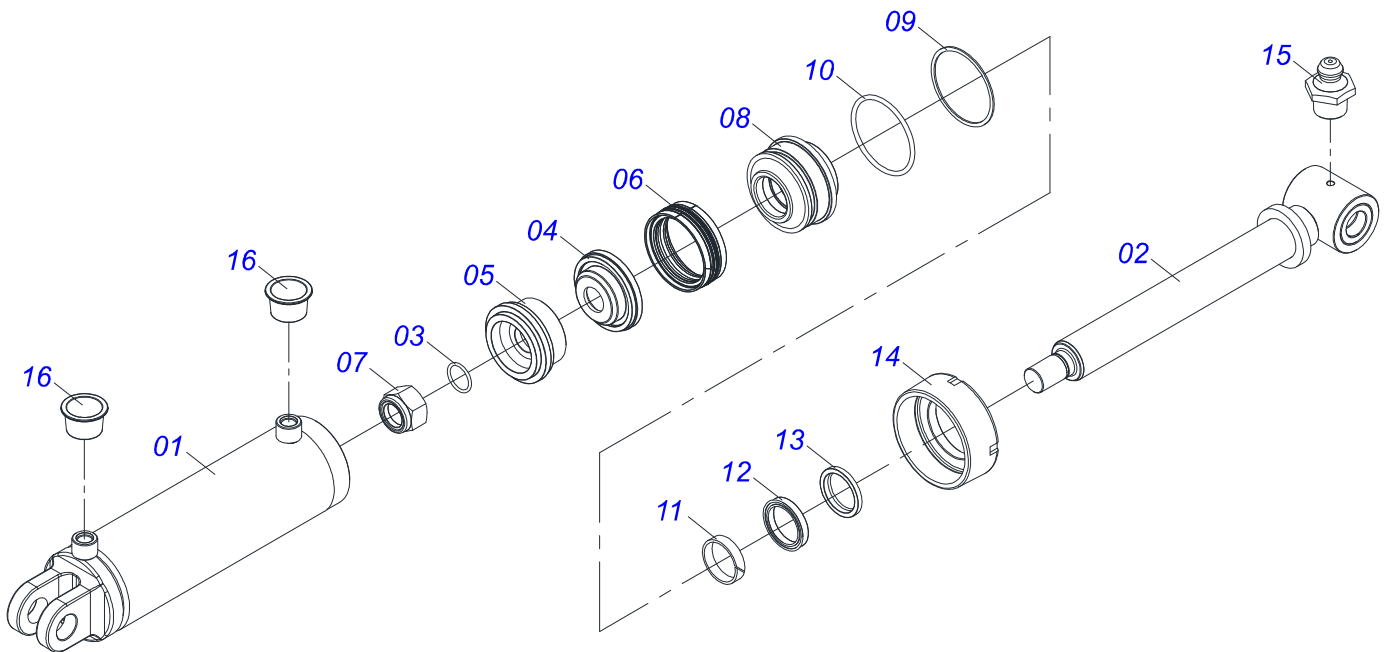
Item	Code	Description	See page	QT
01	0521069680	FRAME		01
02	0521069679	600 X 1400 WHEEL		01
03	0521062532	CONNECTION BAR 1324		01
04	0501064698	SPRING ROD		01
05	1902020393	SPRING UPPER SUPPORT		02
06	0503030441	12.7" X 5.7" X 0.5"SPRING		01
07	0501010059	1.5/8 NUT		06
08	0521069682	STABILIZING BAR 2590		01
09	0501054931	STUB SHAFT & HUB	3	04
10	0521069685	AXLE JUNCTION 31.75 X 137		02
11	0503010523	1/4 X 2 SPLIT PIN		03
12	0501110856	ARTICULATION BEARING		02
13	0521069686	TOP PLATE WITH SUPPORT		01
14	0521069137	LOWER PLATE FIXING BAR TRACTION		01
15	0581019738	STABILIZING BAR TOWER 650		01
16	0501010334	1" X 7" BOLT		06
17	0503011438	SPRING WASHER		06
18	0521010592	1.1" X 3.1" COUPLING SHAFT		01
19	0561011883	FLAT WASHER		01
20	0503010571	1/4" X 1.1/2" SPLIT PIN		02
21	0531016049	FLAT WASHER 27 X 52 X 4,75 ZN		01
22	0531019497	1.5" X 9.2" ARTICULATED AXIS		02
23	0501011301	1.1/2" UNC 6FPP 2.5/16" NUT		02
24	0503010010	1/4" X 2.1/2" SPLIT PIN		02
25	0551012215	FLAT WASHER		02
26	0511050166	50,80 X 101,60 X 561 X 251 HYDRAULIC CYLINDER	4	01
27	0501017579	FLAT WASHER		02
28	0503010002	1800 GREASE FITTING		05
29	0521010779	31.75 X 95 COUPLING SHAFT		01
30	0501017779	FLAT WASHER 32 X 60 X 4,75		03
31	0521010576	0.9" X 3.7" COUPLING SHAFT		02
32	0501011445	FLAT WASHER		02

<b>Item</b>	<b>Code</b>	<b>Description</b>	<b>See page</b>	<b>QT</b>
33	0503031428	ATTENTION READ MANUAL DECAL		01
34	0503031087	AUTO CONTROL APPROVED DECAL		01
35	0503031827	DAILY LUBRICATION AND RETIGHTENING DECAL		01
36	0503060824	GAICR 300 DECAL ASSY		01
37	0503034499	HOSE IDENTIFICATION DECAL		01
38	0503034078	LIFTING POINTS DECAL		04
39	0503033038	DANGER DECAL		01
40	0503031738	WARNING DECAL		01
41	0503031739	DANGER DECAL		01
42	0501010322	20,50 X 46 X 4,00 ZN FLAT WASHER		04
43	0503011246	3/4" X 3-1/2" BOLT		04
44	0503011075	3/4 UNC LOCK NUT		04
45	0503010706	BOLT 1/2 UNC X 4.1/2 C S G.5 ZN		04
46	0521014188	FLAT WASHER		04
47	0503010589	1/2" UNC SELF ADJUSTING NUT		04
48	0503018754	NUT 1 - 8 UNC - 2B G8		01
49	0503031035	HITCH PIN CLIP		01

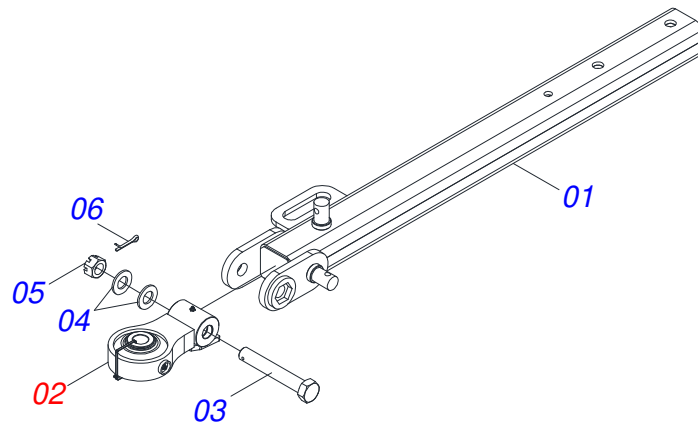


Item	Code	Description	See page	QT
01	0501051142	CARRYING WHEEL HUB		01
02	0541010739	2.5" X 12.2" AXLE		01
03	0501016545	FLAT WASHER		01
04	0503030009	1" CASTLE NUT		01
05	0503010018	5/32" X 1-1/2" SPLIT PIN		01
06	0502020591	PROTECTION LID		01
07	0503010002	1800 GREASE FITTING		01
08	0503010358	5/16" X 5/8" BOLT		04
09	0503011444	SPRING WASHER 5/16"		04



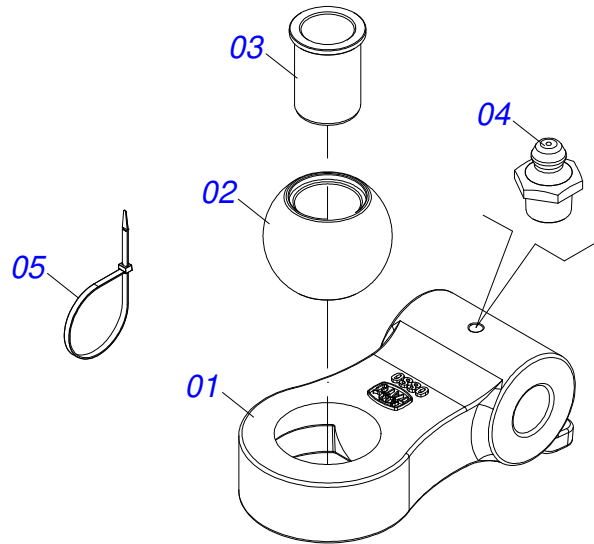


Item	Code	Description	See page	QT
01	0511066220	101,60 X 369 CYLINDER CASE		01
02	0511067445	50,8 X 452,5 EXTENDER		01
03	0503010345	2-218 N 3006-9B O'RING		01
04	0561016389	PISTON BODY		01
05	0561016387	PISTON BODY		01
06	0503015633	SELEMASTER SEALING		01
07	0503010817	1.1/4" SELF LOCKING NUT		01
08	0502012642	SUPPORT OF THE RINGS		01
09	0503011061	8-342 BACK-UP RING		01
10	0503010338	2-342 N 3006-9B O'RING		01
11	0503015634	RING SLYDRING		01
12	0503015635	U-CUP SEAL		01
13	0503015636	SCRAPER SEAL		01
14	0502010017	4" LID		01
15	0503010002	1800 GREASE FITTING		01
16	0503030384	PLUG N-001		02
17	0501039361R	REPAIR KIT		01

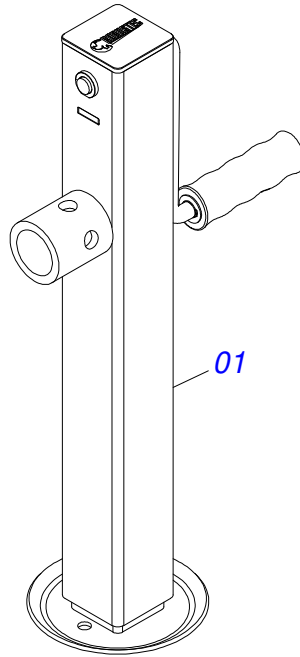


Item	Code	Description	See page	QT
01	0521069165	DRAWBAR		01
02	0521057520	HITCH ASSY	6	01
03	0581015973	1.1/4 UNC X 8 C S G5 SCREW		01
04	0501017779	FLAT WASHER 32 X 60 X 4,75		02
05	0503013026	1.1/4" CASTLE NUT		01
06	0503010010	1/4" X 2.1/2" SPLIT PIN		01

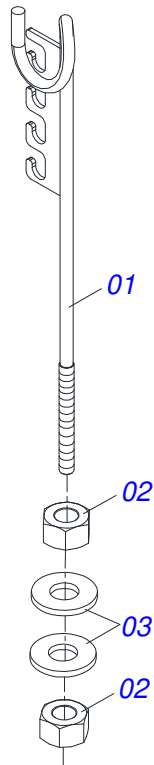
HITCH ASSY



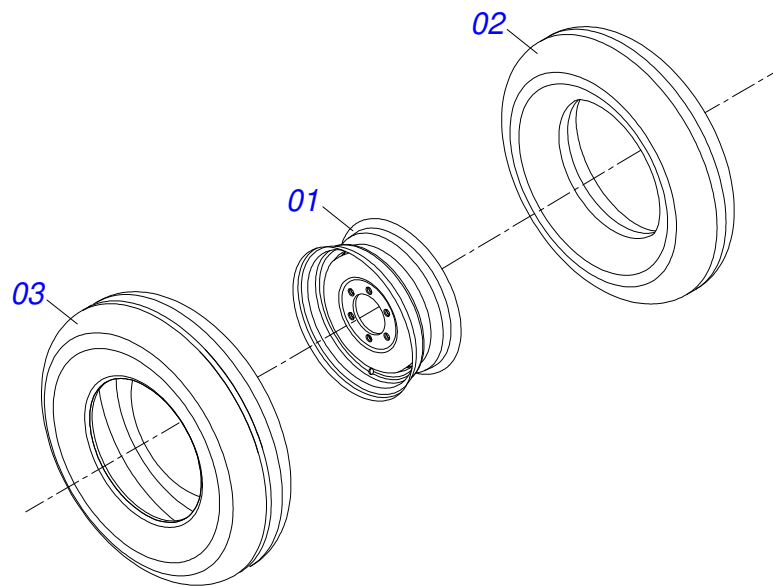
Item	Code	Description	See page	QT
01	0502040880	HITCH BODY		01
02	0502040885	BODY ATTACHMENT		01
03	0591012511	SLEEVE		01
04	0503010002	1800 GREASE FITTING		01
05	0503018829	NYLON CLAMP 7,8 X 1,8 X 390 MM		01



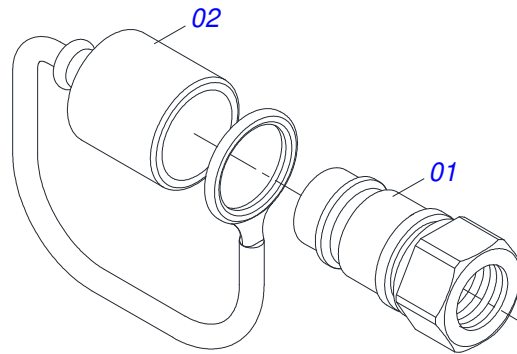
Item	Code	Description	See page	QT
01	0503062157	DRAWBAR JACK	7	01



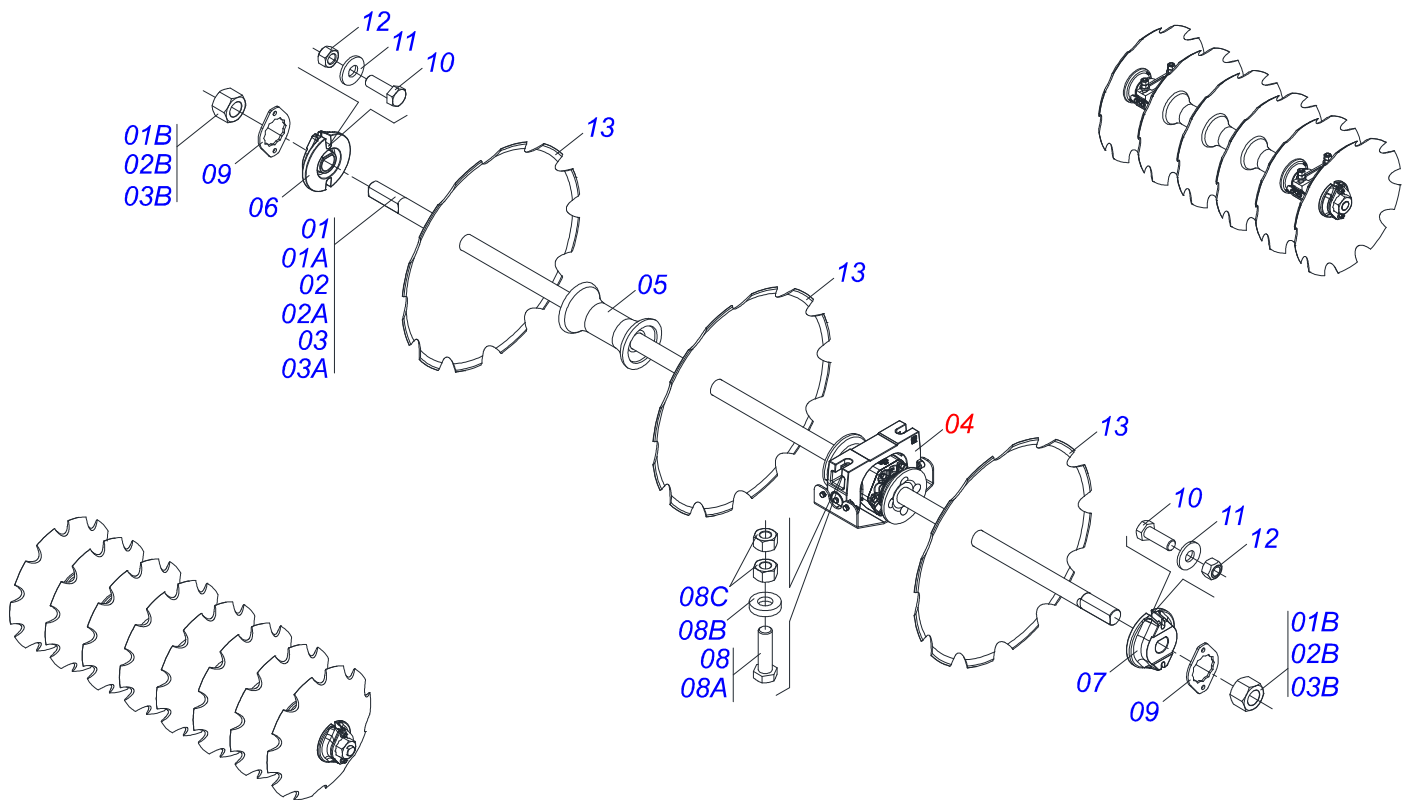
Item	Code	Description	See page	QT
01	0511067334	HOSE SUPPORT		01
02	0503010014	3/4" ZN G.5 (HEAVY) UNC HEX NUT		02
03	0501010322	20,50 X 46 X 4,00 ZN FLAT WASHER		02



Item	Code	Description	See page	QT
01	0503010893	WHEEL		01
02	0503010033	7.50 X 16 INNER TIRE		01
03	0503010120	CANVAS TIRE		01

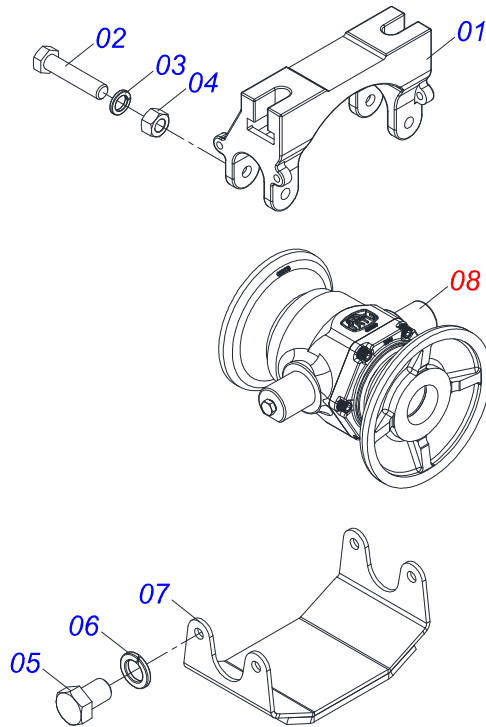


Item	Code	Description	See page	QT
01	0503011627	MALE QUICK COUPLER AGR 1/2 NPT		01
02	0503011882	MALE QUICK COUPLER CAP		01

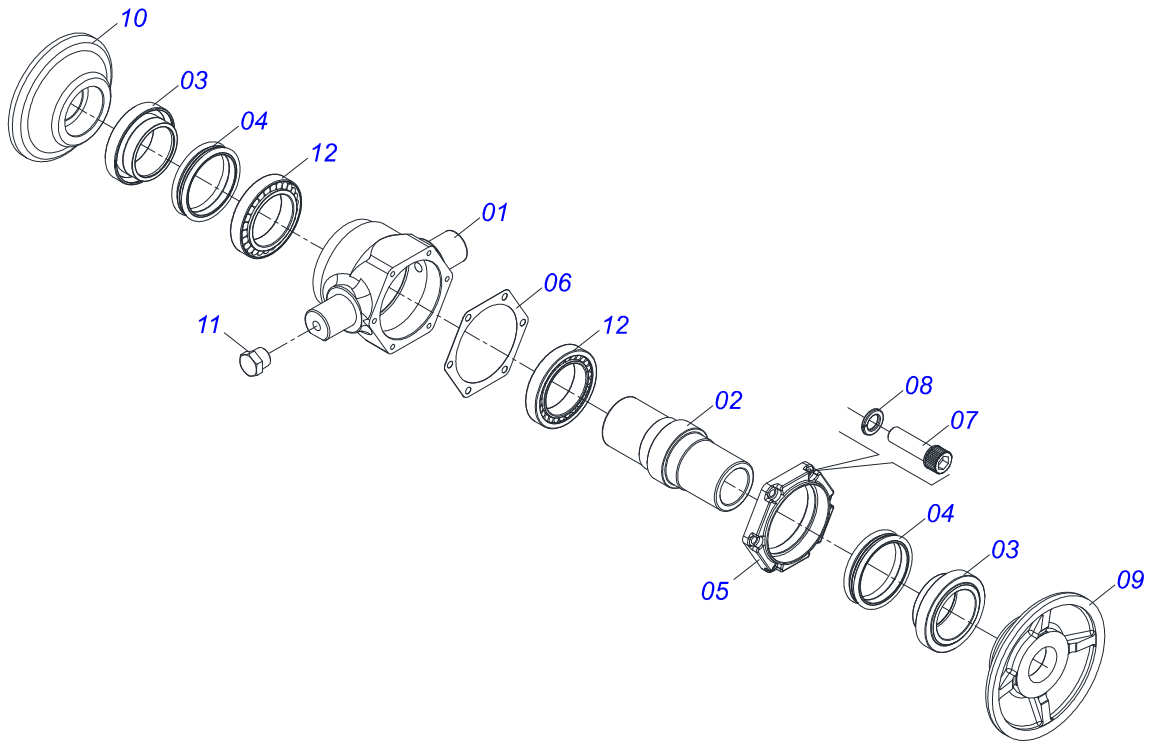


Item	Code	Description	See page	20	22	24	26	28	30
01	0511050665	2-1/8" X 1424 AXLE WITH NUTS	04	02	00	00	00	00	06
01A	0561015983	2-1/8" X 1424 AXLE	01	01	00	00	00	00	01
01B	0502040063	2-1/8" X 54 99 NUT	02	02	00	00	00	00	02
02	0501059852	2-1/8 X 1722 AXLE WITH NUTS	00	02	04	02	00	00	00
02A	0561015943	2-1/8" X 1722 AXLE	00	01	01	01	00	00	00
02B	0502040063	2-1/8" X 54 99 NUT	00	02	02	02	00	00	00
03	0501059155	2-1/8" X 2020 AXLE WITH NUTS	00	00	00	02	04	00	00
03A	0561013277	2-1/8" X 2020 AXLE	00	00	00	01	01	00	00
03B	0502040063	2-1/8" X 54 99 NUT	00	00	00	02	02	00	00
04	0531045460	AGRICULTURAL BEARING DMO 292 X 2.1/8 WITH SUPPORT	08	08	08	08	08	08	12
05	0502011405	292 W/H 2.1/8 SPACER	08	12	12	16	16	12	12
06	0502010594	2-1/8" EXTERNAL AXLE WASHER	04	04	04	04	04	06	06
07	0502010595	2-1/8" INNER AXLE WASHER	04	04	04	04	04	06	06
08	0521047558	ASSY BOLT 7/8 X 4 OSCILLATING BEARING	16	16	16	16	16	24	24
08A	0503013310	7/8 UNC X 4 C S G.5 ZN BOLT	01	01	01	01	01	01	01
08B	0561013107	FLAT WASHER	01	01	01	01	01	01	01
08C	0503010417	7/8" NUT	02	02	02	02	02	02	02
09	0541010368	NUT LOCK	08	08	08	08	08	12	12
10	0503010232	5/8" X 1.3/4" BOLT	16	16	16	16	16	24	24
11	0501012140	FLAT WASHER 16,50 X 40 X 4,00 ZN	16	16	16	16	16	24	24
12	0503010013	5/8 UNC G.5 ZN HEX NUT	16	16	16	16	16	24	24
13	0602040001	DR 30 X 7,50 C105AF04FR2.3/16 10R	20	22	24	26	28	30	30





Item	Code	Description	See page	QT
01	0502012860	BEARING SUPPORT		01
02	0501011543	5/8" X 4" BOLT		02
03	0503010027	5/8 SPRING WASHER		02
04	0503010013	5/8 UNC G.5 ZN HEX NUT		02
05	0503011401	1/2" X 3/4" BOLT		04
06	0503010019	1/2" SPRING WASHER		04
07	0521067635	COVER PROTECTION		01
08	0541052221	AGRICULTURAL BEARING DMO 292 X 2.1/8	13	01



Item	Code	Description	See page	QT
01	0502012859	BEARING BOX		01
02	0502040810	SHAFT FOR BEARING		01
03	0502040198	SEAL RETAINER		02
04	0503030028	JB-257 SEAL		02
05	0502012481	BOX COVER		01
06	0503032999	JOINT		01
07	0503010175	3/8" X 1-1/4" BOLT		06
08	0503011443	SPRING WASHER 3/8"		06
09	0581012051	EXTERNAL DISC		01
10	0581012052	DISC INTERNAL SUPPORT		01
11	0503010856	OIL PLUG R 3/8 BSPT		02
12	0503010107	27687/27620 BEARING		02





***civemasa***

**Technical Publications | Elaboration and Revision**  
LUIZ CANDIDO

[www.civemasa.com.br](http://www.civemasa.com.br)

