

**DISK HARROWS**

**GNP - 40D - MECHANICS - PI**  
**GNP - 40D - MECANICA - PI**

**Code:** 0501093917  
**Series:** S-0224  
**Revision:** 00  
**Revision Date:** JUNE/2024

**PARTS**  
**CATALOGUE**


***CIVEMASA***

# PRODUCTS

| Code       | Working Width | Description                                |
|------------|---------------|--|
| 0121290047 |               | GNP 40X22X4,5 MT DMO MEC PI E 1.1/2 S-0224 |

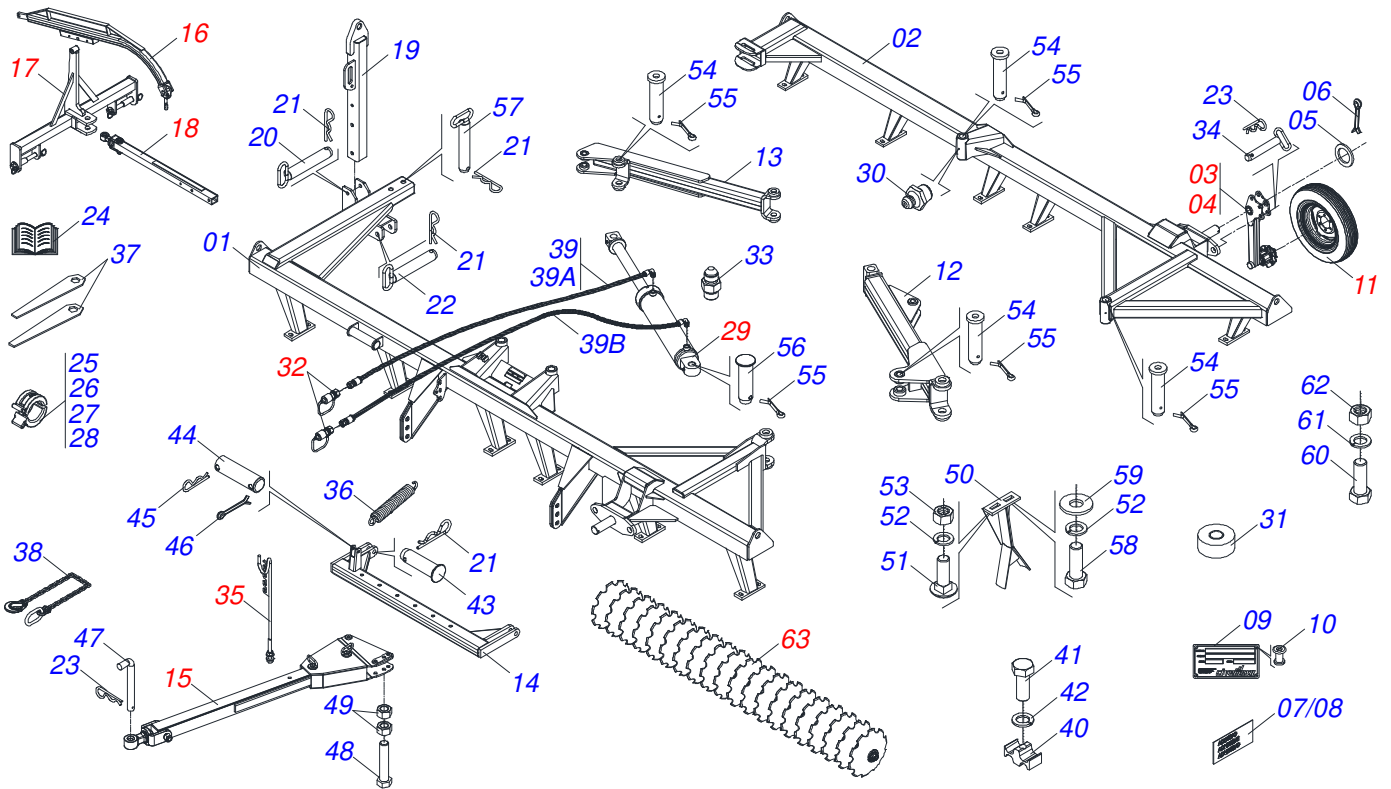
## ATTENTION: IMPORTANT

CIVEMASA reserves the right to improve and/or modify the technical features of its products, without obligation to do the same with those products already sold and without prior knowledge of the dealer or the customer. The photos are only illustrative.



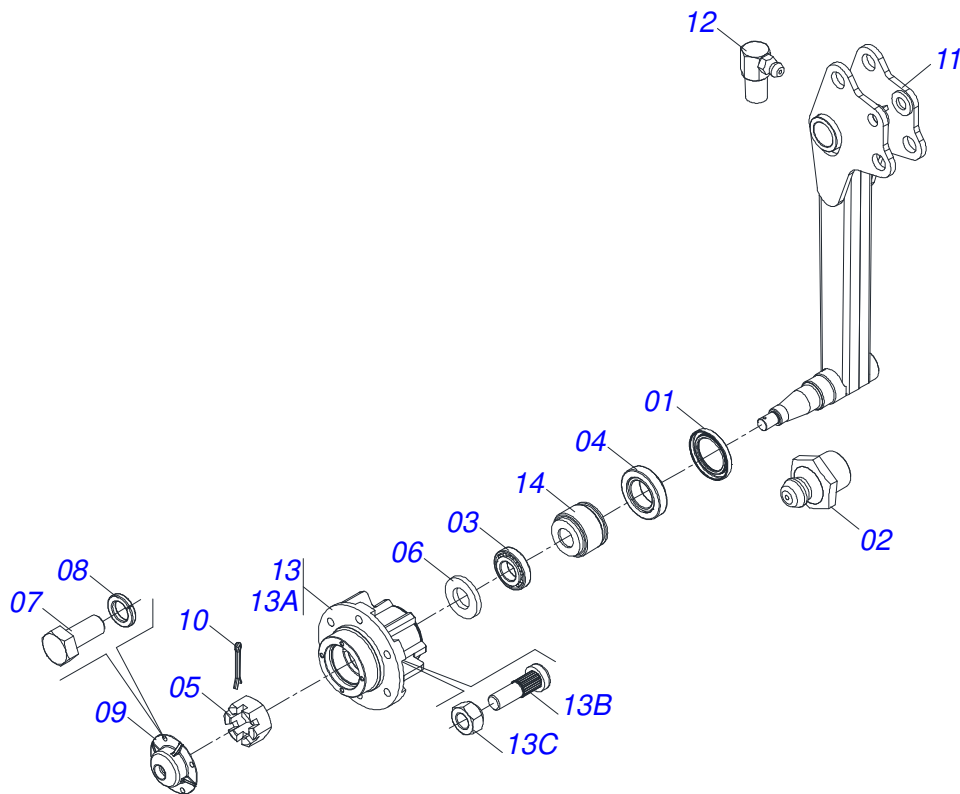
# INDEX

|            |   |       |    |
|------------|---|-------|----|
| 0909093188 | FRAME ASSY  | ..... | 1  |
| 0511052234 | FRONT CARRYING-WHEELS   | ..... | 2  |
| 0511052233 | FRONT CARRYING-WHEELS   | ..... | 3  |
| 0503060094 | WHEEL AND TIRE ASSY   | ..... | 4  |
| 0511048840 | AXLE ASSY   | ..... | 5  |
| 0521042072 | ASSY FRAME GAT 800  | ..... | 6  |
| 0501053527 | DRAWBAR WITH HITCH SUPPORT                                      | ..... | 7  |
| 0501041096 | DRAWBAR ASSY  | ..... | 8  |
| 0511047982 | HYDRAULIC CYLINDER 2" X 4" X 730 X 402                          | ..... | 9  |
| 0501053834 | MALE QUICK COUPLER  | ..... | 10 |
| 0501040257 | 3/4" X 38" HOSE SUPPORT ASSY                                    | ..... | 11 |
| 0909093096 | DISC GANG ASSY  | ..... | 12 |
| 0531042480 | 196 X 1.1/2 DMO AGRICULTURAL BEARING WITH<br>PROTECTION SUPPORT | ..... | 13 |
| 0531055221 | 196 X 1.1/2 IMP DMO AGRICULTURAL BEARING                        | ..... | 14 |

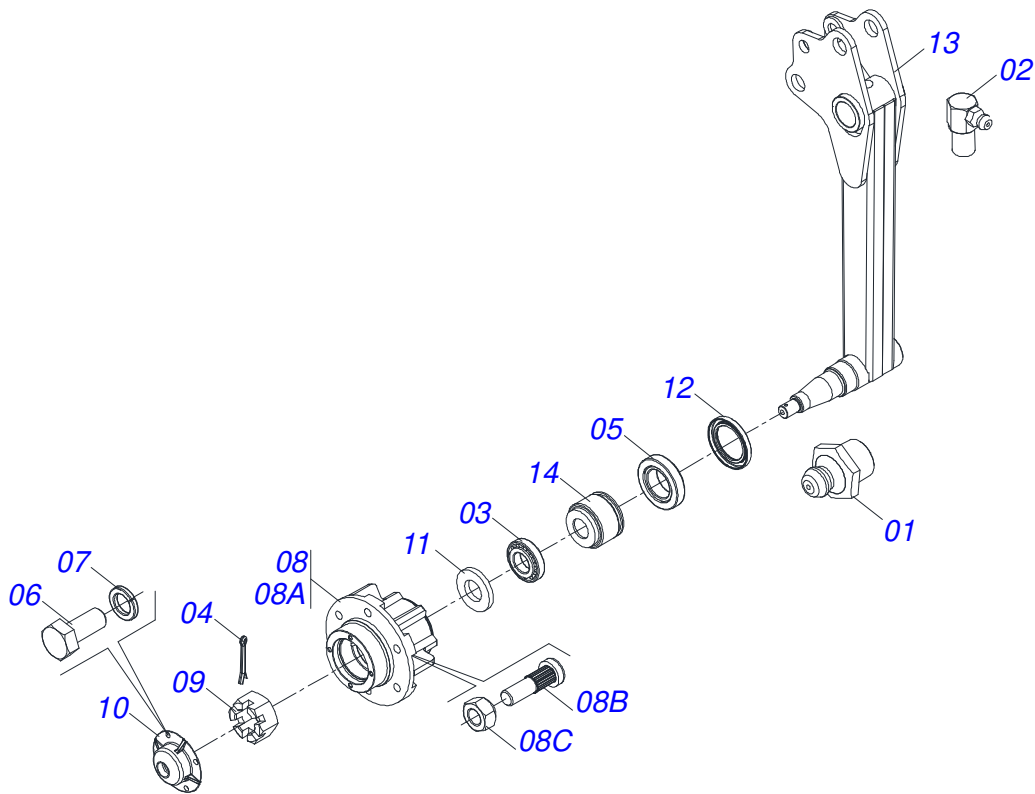


| Item   | Code       | Description                            | See page | QT |
|--------|------------|--|----------|----|
| 01     | 0521063983 | FRONT FRAME                            |          | 01 |
| 02     | 0521063984 | REAR FRAME                             |          | 01 |
| 03     | 0511052234 | FRONT CARRYING-WHEELS                  | 2        | 01 |
| 04     | 0511052233 | FRONT CARRYING-WHEELS                  | 3        | 01 |
| 05     | 0501015875 | FLAT WASHER                            |          | 02 |
| 06     | 0503010073 | 3/8" X 3.1/2" SPLIT PIN                |          | 02 |
| 07     | 0503031428 | ATTENTION READ MANUAL DECAL            |          | 01 |
| 07.    | 0503033038 | DANGER DECAL                           |          | 02 |
| 07..   | 0503031807 | ADHESIVE LABEL                         |          | 01 |
| 07...  | 0503033647 | APPROVED DECAL                         |          | 01 |
| 08     | 0503031738 | WARNING DECAL                          |          | 01 |
| 08.    | 0503033244 | CIVEMASA LOGO DECAL                    |          | 02 |
| 08..   | 0503034438 | ADHESIVE LABEL                         |          | 01 |
| 08...  | 0503031739 | DANGER DECAL                           |          | 01 |
| 08.... | 0503034282 | ADHESIVE LABEL GNP                     |          | 02 |
| 09     | 0503034004 | ALUMINUM IDENTIFICATION DECAL          |          | 01 |
| 10     | 0503010001 | RIVET 3,2 X 5,5                        |          | 04 |
| 11     | 0503060094 | WHEEL AND TIRE ASSY                    | 4        | 02 |
| 12     | 0521060798 | FRONT ARM                              |          | 01 |
| 13     | 0521060797 | REAR ARM                               |          | 01 |
| 14     | 0521060800 | TRACTION BAR                           |          | 01 |
| 15     | 0511048840 | AXLE ASSY                              | 5        | 01 |
| 16     | 0521042072 | ASSY FRAME GAT 800                     | 6        | 01 |
| 17     | 0501053527 | DRAWBAR WITH HITCH SUPPORT             | 7        | 01 |
| 18     | 0501041096 | DRAWBAR ASSY                           | 8        | 01 |
| 19     | 0521067573 | 1000 TRANSPORT BAR                     |          | 01 |
| 20     | 0521064088 | LOCK AXLE                              |          | 01 |
| 20.    | 0521063428 | LOCK AXLE 19.05 X 140 WITH HANDLE      |          | 01 |
| 21     | 0503030012 | HITCH PIN CLIP                         |          | 05 |
| 22     | 0521067644 | JUNCTION SHAFT                         |          | 01 |
| 23     | 0503031035 | HITCH PIN CLIP                         |          | 04 |
| 24     | 0511032621 | PLASTIC COVER WITH INSTRUCTIONS MANUAL |          | 01 |

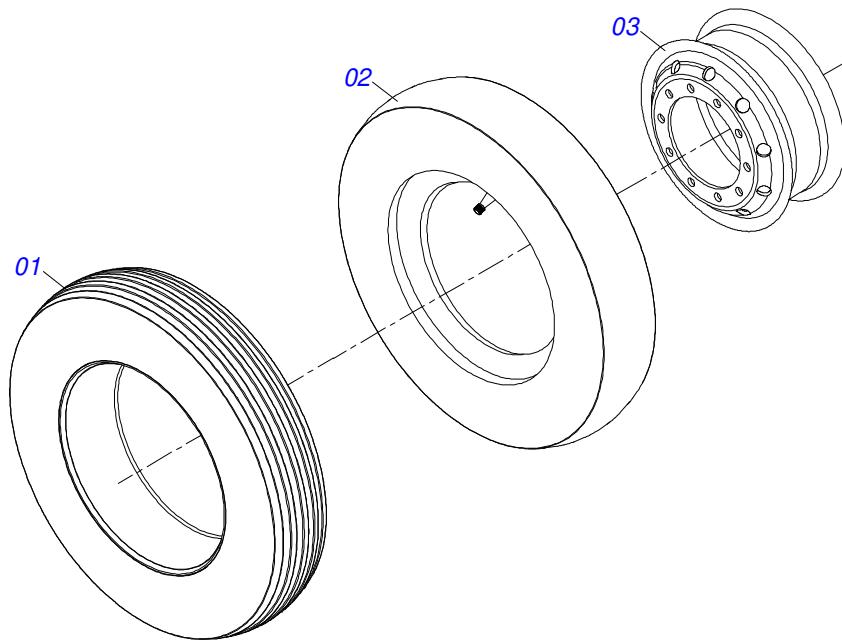
| Item | Code       | Description                            | See page | QT |
|------|------------|--|----------|----|
| 25   | 0501047895 | 25 ROD STOP                            |          | 02 |
| 26   | 0501047885 | 30 ROD STOP                            |          | 01 |
| 27   | 0501047886 | 35 ROD STOP                            |          | 01 |
| 28   | 0501047887 | 40 ROD STOP                            |          | 01 |
| 29   | 0511047982 | HYDRAULIC CYLINDER 2" X 4" X 730 X 402 | 9        | 01 |
| 30   | 0503010002 | 1800 GREASE FITTING                    |          | 06 |
| 31   | 0503013171 | SEALING 1/2" X 10M 1J51066             |          | 01 |
| 32   | 0501053834 | MALE QUICK COUPLER                     | 10       | 02 |
| 33   | 0501010617 | NIPLE 3/4" NF X 3/4" NF HEX. 7/8" X 44 |          | 02 |
| 34   | 0501069080 | COUPLING SHAFT                         |          | 02 |
| 35   | 0501040257 | 3/4" X 38" HOSE SUPPORT ASSY           | 11       | 01 |
| 36   | 0503033133 | SPRING                                 |          | 01 |
| 37   | 0501011432 | 1-1/2" AND 1-5/8 GANG BOLT WRENCH      |          | 02 |
| 38   | 0503013150 | 1300 X 3/8" CHAIN                      |          | 01 |
| 39   | 0511053175 | HOSE SET                               |          | 01 |
| 39A  | 0501080844 | 3/8" X 216" TC-TM HOSE                 |          | 01 |
| 39B  | 0501080383 | 3/8" X 197" TC-TM HOSE                 |          | 01 |
| 40   | 0502012702 | BODY SUPPORT CLAMP                     |          | 01 |
| 41   | 0503012555 | 7/16" UNC X 2" CS RT G.7 ZN SCREW      |          | 01 |
| 42   | 0503010180 | 7/16" SPRING WASHER                    |          | 01 |
| 43   | 0561013384 | PIN                                    |          | 02 |
| 44   | 0521013816 | PIN SEM HEAD PN-052 3090523 ZN         |          | 01 |
| 45   | 0503030168 | HITCH PIN CLIP                         |          | 02 |
| 46   | 0503010362 | 1/8" X 1.1/4" SPLIT PIN                |          | 01 |
| 47   | 0521010453 | JOINT AXIS                             |          | 02 |
| 48   | 0503013185 | BOLT 3/4" UNC X 5.1/2 C S G.7 ZN       |          | 02 |
| 49   | 0503012183 | SNC 3/4" ZIN 1K03097 NUT               |          | 04 |
| 50   | 0511060204 | CLEANER                                |          | 28 |
| 51   | 0503019588 | BOLT                                   |          | 52 |
| 52   | 0503010019 | 1/2" SPRING WASHER                     |          | 56 |
| 53   | 0503012682 | 1/2" BSW NUT                           |          | 52 |
| 54   | 0511060177 | PIN                                    |          | 04 |
| 55   | 0503010010 | 1/4" X 2.1/2" SPLIT PIN                |          | 06 |
| 56   | 0561013383 | PIN                                    |          | 02 |
| 57   | 0501075403 | HITCH PIN                              |          | 03 |
| 58   | 0501010155 | 1/2" X 1" BOLT                         |          | 04 |
| 59   | 0501010937 | 13,50 X 28 X 3,00 FLAT WASHER          |          | 04 |
| 60   | 0501010334 | 1" X 7" BOLT                           |          | 01 |
| 61   | 0503010012 | 1" SPRING WASHER                       |          | 01 |
| 62   | 0501010059 | 1.5/8 NUT                              |          | 01 |
| 63   |            | DISC GANG ASSY                         | 12       |    |



| Item | Code       | Description                 | See page | QT      |
|------|------------|-----------------------------|----------|---------|
| 01   | 0503011867 | 00517-BR SEAL WITH HOLE     |          | 01      |
| 02   | 0503010002 | 1800 GREASE FITTING         |          | 01      |
| 03   | 0503010006 | 32210 ROLLER BEARING        |          | 01      |
| 04   | 0503010037 | 30207 ROLLER BEARING        |          | 01      |
| 05   | 0503030009 | 1" CASTLE NUT               |          | 01      |
| 06   | 0501016545 | FLAT WASHER                 |          | 01      |
| 07   | 0503010178 | 5/16" X 7/8" BOLT           |          | 04      |
| 08   | 0503010179 | LOCK WASHER 5/16 ZN 1K01528 |          | 04      |
| 09   | 0502020591 | PROTECTION LID              |          | 01      |
| 10   | 0503010018 | 5/32" X 1-1/2" SPLIT PIN    |          | 01      |
| 11   | 0521064067 | CARRYNG-WHEEL SUPPORT       |          | 01      |
| 12   | 0503010004 | 1890 GREASE FITTING         |          | 01      |
| 13   | 0501110728 | WHEEL HUB                   |          | 01      |
| 13A  | 0502011121 | CARRYING WHEEL HUB          |          | 01      |
| 13B  | 0501010127 | 9/16" X 1-7/8" LUG BOLT     |          | 06      |
| 13C  | 0503010035 | 9/16" CONIC NUT             |          | 06      |
| 14   | 1882970002 | GREASE                      |          | 0,155Kg |

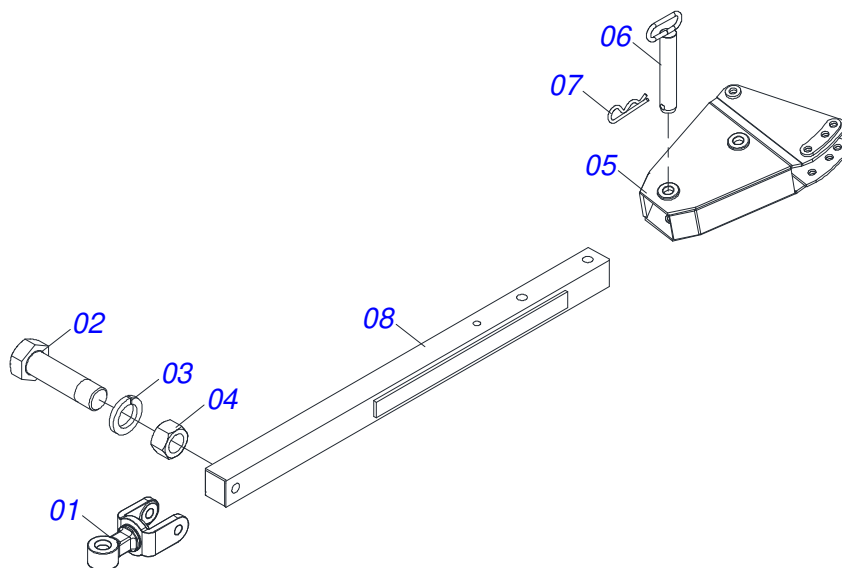


| Item | Code       | Description                 | See page | QT       |
|------|------------|-----------------------------|----------|----------|
| 01   | 0503010002 | 1800 GREASE FITTING         |          | 01       |
| 02   | 0503010004 | 1890 GREASE FITTING         |          | 01       |
| 03   | 0503010006 | 32210 ROLLER BEARING        |          | 01       |
| 04   | 0503010018 | 5/32" X 1-1/2" SPLIT PIN    |          | 01       |
| 05   | 0503010037 | 30207 ROLLER BEARING        |          | 01       |
| 06   | 0503010178 | 5/16" X 7/8" BOLT           |          | 04       |
| 07   | 0503010179 | LOCK WASHER 5/16 ZN 1K01528 |          | 04       |
| 08   | 0501110728 | WHEEL HUB                   |          | 01       |
| 08A  | 0502011121 | CARRYING WHEEL HUB          |          | 01       |
| 08B  | 0501010127 | 9/16" X 1-7/8" LUG BOLT     |          | 06       |
| 08C  | 0503010035 | 9/16" CONIC NUT             |          | 06       |
| 09   | 0503030009 | 1" CASTLE NUT               |          | 01       |
| 10   | 0502020591 | PROTECTION LID              |          | 01       |
| 11   | 0501016545 | FLAT WASHER                 |          | 01       |
| 12   | 0503011867 | 00517-BR SEAL WITH HOLE     |          | 01       |
| 13   | 0521064068 | CARRYNG-WHEEL SUPPORT       |          | 01       |
| 14   | 1882970002 | GREASE                      |          | 0.155 Kg |

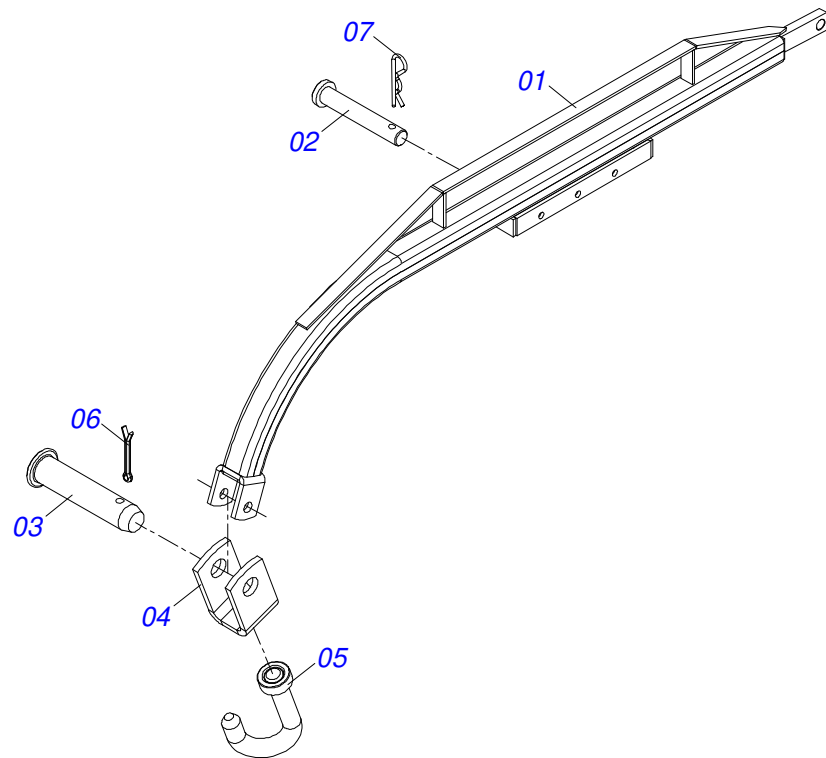


| Item | Code       | Description                    | See page | QT |
|------|------------|--------------------------------|----------|----|
| 01   | 0503010065 | CANVAS TIRE                    |          | 01 |
| 02   | 0503010068 | 6.00 X 16 INNER TIRE           |          | 01 |
| 03   | 0503010894 | 0.2"X0.6"X4.6"X6F0.6"X6" WHEEL |          | 01 |

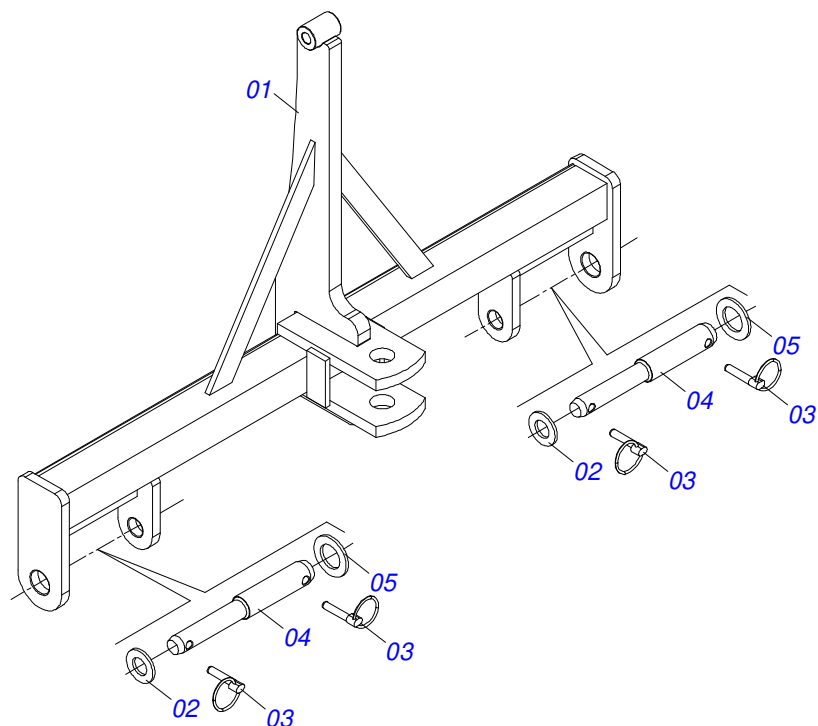




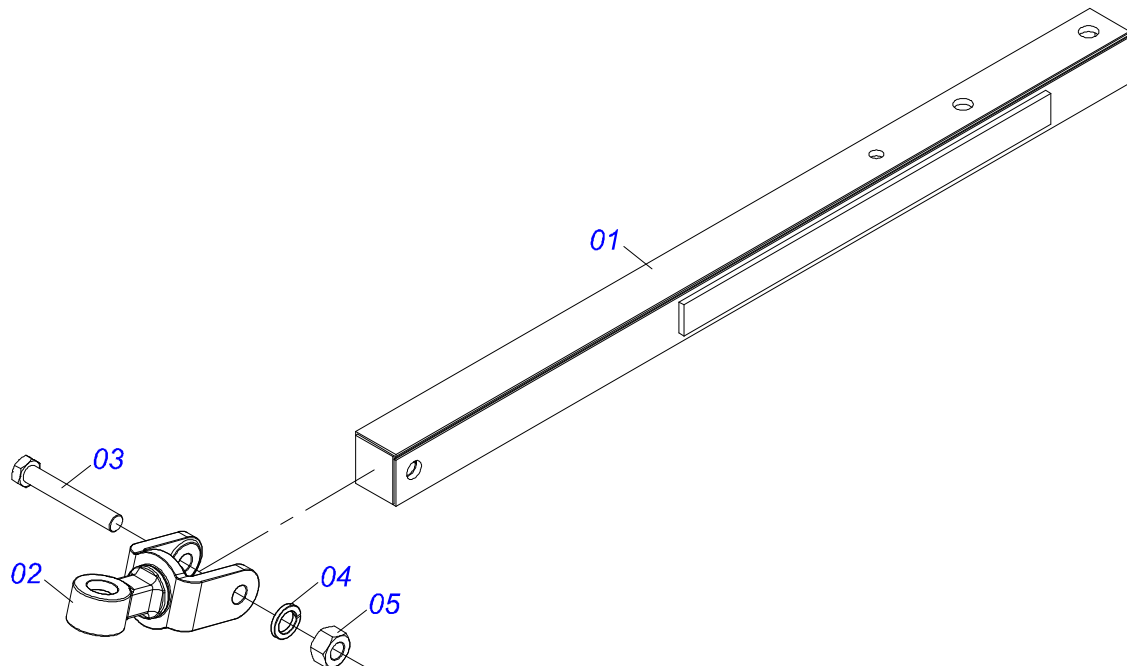
| Item | Code       | Description      | See page | QT |
|------|------------|------------------|----------|----|
| 01   | 0521061775 | TRACTOR HITCH    |          | 01 |
| 02   | 0501010060 | 1" X 6-1/2" BOLT |          | 01 |
| 03   | 0503011438 | SPRING WASHER    |          | 01 |
| 04   | 0501010059 | 1.5/8 NUT        |          | 01 |
| 05   | 0521060799 | DRAWBAR SUPPORT  |          | 01 |
| 06   | 0501075403 | HITCH PIN        |          | 02 |
| 07   | 0503030012 | HITCH PIN CLIP   |          | 02 |
| 08   | 0501060188 | DRAWBAR ASSY     |          | 01 |



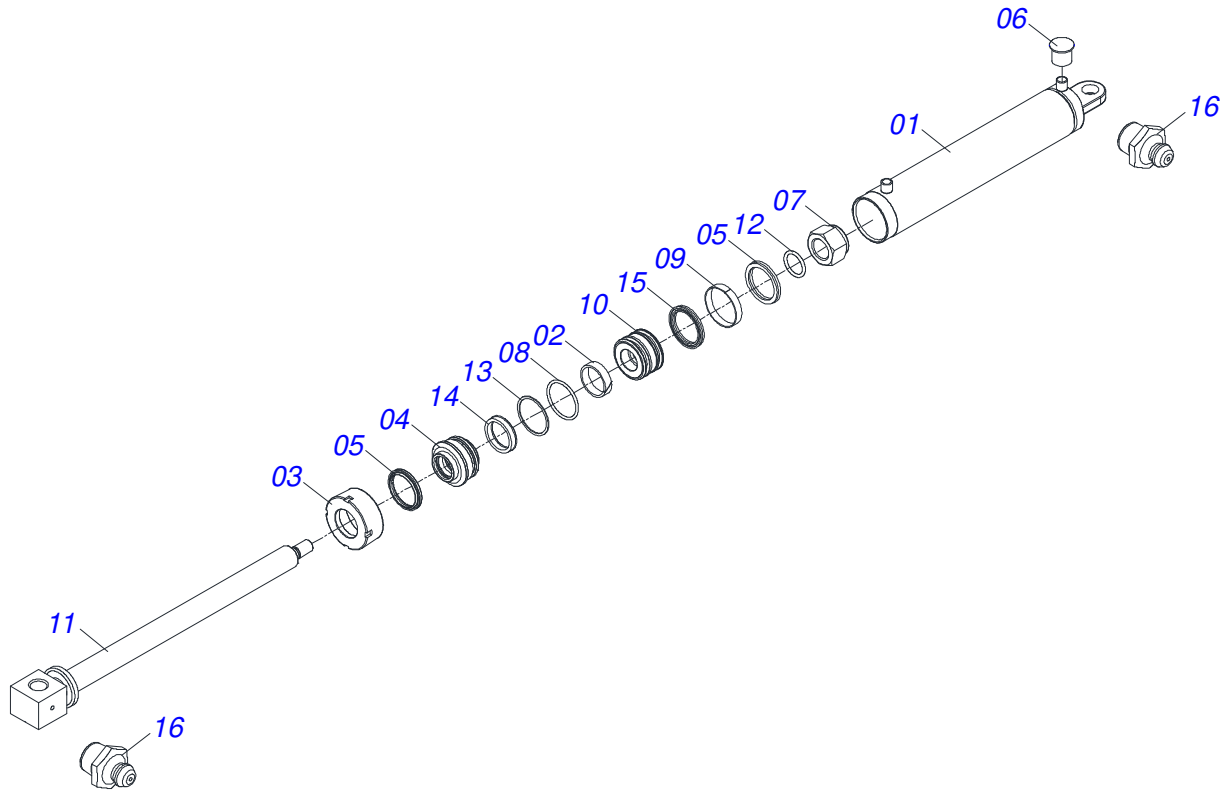
| Item | Code       | Description              | See page | QT |
|------|------------|--------------------------|----------|----|
| 01   | 0501062595 | FRAME                    |          | 01 |
| 02   | 0501011388 | COUPLING SHAFT           |          | 01 |
| 03   | 0521010579 | COUPLING SHAFT           |          | 01 |
| 04   | 0511016686 | U HOOK                   |          | 01 |
| 05   | 0501067537 | 25,4 X 100 HOOK          |          | 01 |
| 06   | 0503010018 | 5/32" X 1-1/2" SPLIT PIN |          | 01 |
| 07   | 0503030168 | HITCH PIN CLIP           |          | 01 |



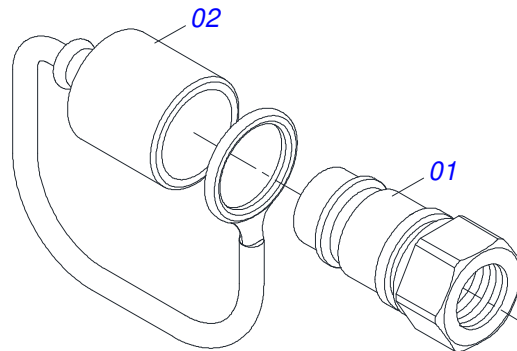
| Item | Code       | Description                   | See page | QT |
|------|------------|-------------------------------|----------|----|
| 01   | 0511062944 | DRAWBAR                       |          | 01 |
| 02   | 0501012916 | FLAT WASHER 40 X 66 X 4,75 ZN |          | 02 |
| 03   | 0503030430 | 7/16 X 2" PIN LOCK            |          | 04 |
| 04   | 0541015542 | 1.1/8" HITCH AXLE             |          | 02 |
| 05   | 0511017480 | FLAT WASHER                   |          | 02 |



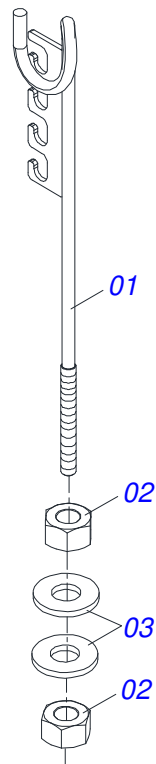
| Item | Code       | Description      | See page | QT |
|------|------------|------------------|----------|----|
| 01   | 0501060188 | DRAWBAR ASSY     |          | 01 |
| 02   | 0521061775 | TRACTOR HITCH    |          | 01 |
| 03   | 0501010060 | 1" X 6-1/2" BOLT |          | 01 |
| 04   | 0503011438 | SPRING WASHER    |          | 01 |
| 05   | 0501010059 | 1.5/8 NUT        |          | 01 |



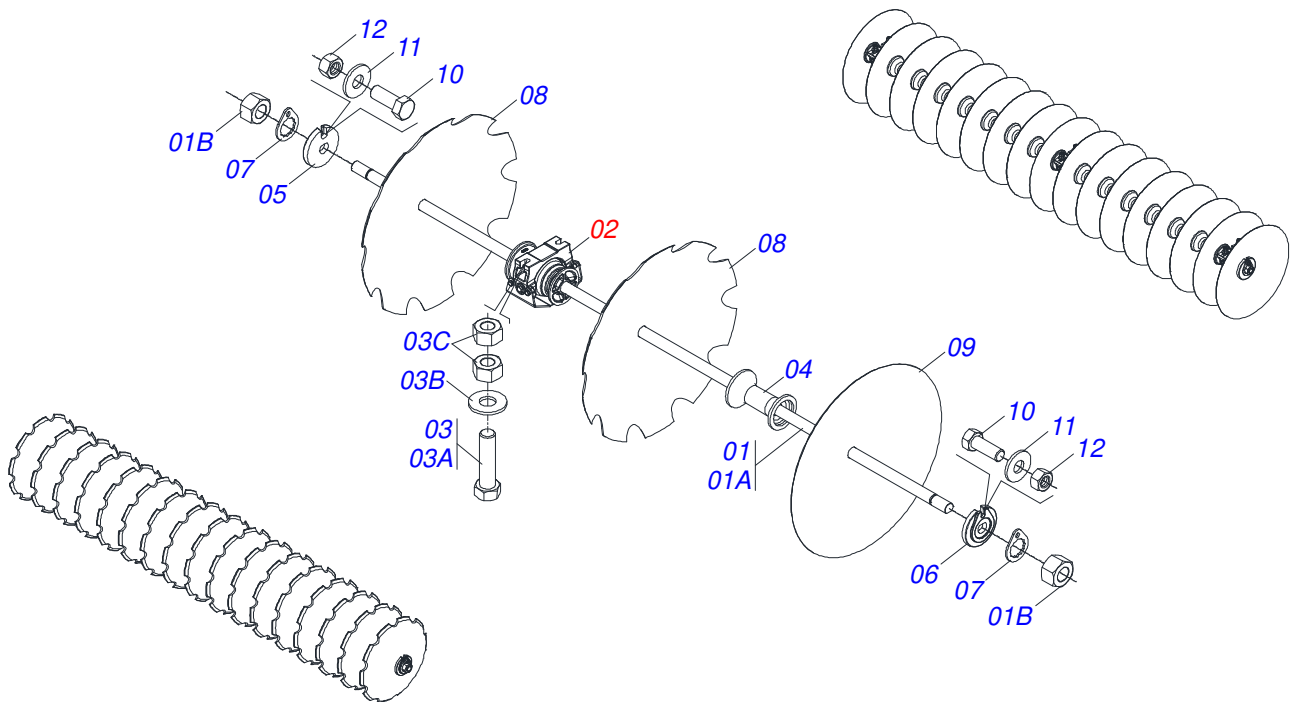
| Item | Code       | Description             | See page | QT |
|------|------------|-------------------------|----------|----|
| 01   | 0521060776 | CYLINDER CASE           |          | 01 |
| 02   | 0503010952 | W2-2250-500 RING        |          | 01 |
| 03   | 0502010017 | 4" LID                  |          | 01 |
| 04   | 0502010778 | 2" X 4.2" RING SUPPORT  |          | 01 |
| 05   | 0503010043 | PACKING 3750-3250       |          | 02 |
| 06   | 0503030384 | PLUG N-001              |          | 02 |
| 07   | 0503010817 | 1.1/4" SELF LOCKING NUT |          | 01 |
| 08   | 0503010345 | 2-218 N 3006-9B O'RING  |          | 01 |
| 09   | 0503010994 | W2-4000-500 PK RING G.E |          | 01 |
| 10   | 0502010992 | 2.0" X 4.0" PISTON      |          | 01 |
| 11   | 0521060775 | ROD ASSEMBLY            |          | 01 |
| 12   | 0503010338 | 2-342 N 3006-9B O'RING  |          | 01 |
| 13   | 0503011061 | 8-342 BACK-UP RING      |          | 01 |
| 14   | 0503010039 | D-2000 SCRAPER RING     |          | 01 |
| 15   | 0503010991 | 1870-2000-375-B GASKET  |          | 01 |
| 16   | 0503010002 | 1800 GREASE FITTING     |          | 02 |



| Item | Code       | Description                    | See page | QT |
|------|------------|--------------------------------|----------|----|
| 01   | 0503011627 | MALE QUICK COUPLER AGR 1/2 NPT |          | 01 |
| 02   | 0503011882 | MALE QUICK COUPLER CAP         |          | 01 |

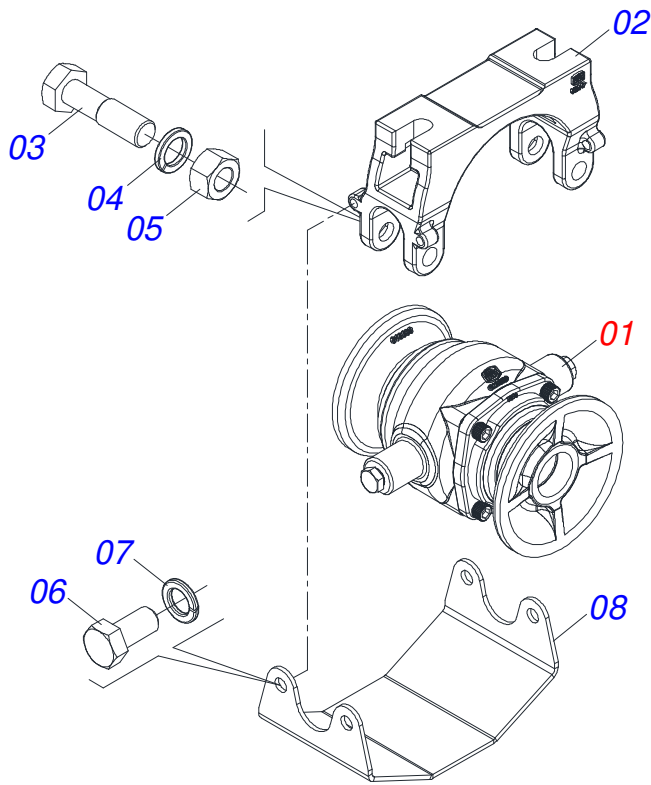


| Item | Code       | Description                      | See page | QT |
|------|------------|----------------------------------|----------|----|
| 01   | 0511067334 | HOSE SUPPORT                     |          | 01 |
| 02   | 0503010014 | 3/4" ZN G.5 (HEAVY) UNC HEX NUT  |          | 02 |
| 03   | 0501010322 | 20,50 X 46 X 4,00 ZN FLAT WASHER |          | 02 |

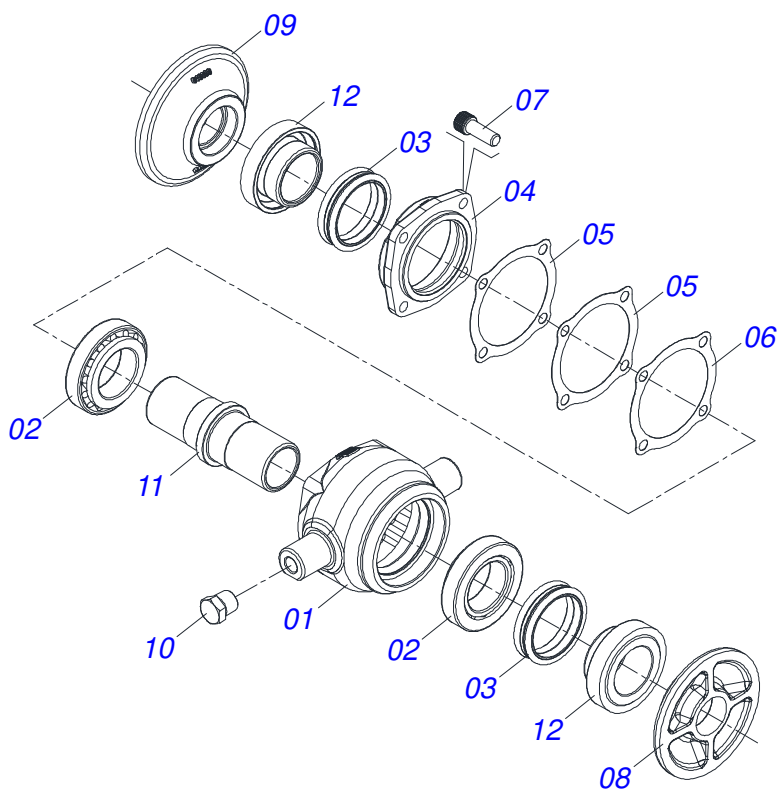


| Item | Code       | Description  | See page | QT |
|------|------------|--|----------|----|
| 01   | 0521040668 | 1.1/2" X 1920 AXLE ASSY                                      |          | 04 |
| 01A  | 0571010817 | 1,1/2" X 1920 AXLE   |          | 01 |
| 01B  | 0501010110 | 1.1/2 NC 6FPP 2.3/8 HEXAGONAL NUT                            |          | 02 |
| 02   | 0531042480 | 196 X 1.1/2 DMO AGRICULTURAL BEARING WITH PROTECTION SUPPORT | 13       | 12 |
| 03   | 0521048902 | SCREW ASSEMBLY 5/8 UNC 3                                     |          | 24 |
| 03A  | 0501011541 | 5/8 UNC X 3 CS G.5 ZN1K28066 BOLT                            |          | 01 |
| 03B  | 0501012140 | FLAT WASHER 16,50 X 40 X 4,00 ZN                             |          | 01 |
| 03C  | 0503010013 | 5/8 UNC G.5 ZN HEX NUT                                       |          | 02 |
| 04   | 0502011594 | SPACER   |          | 24 |
| 05   | 0502010871 | EXTERNAL AXLE WASHER 1.1/2"                                  |          | 04 |
| 06   | 0502010872 | 1-1/2" INNER AXLE WASHER                                     |          | 04 |
| 07   | 0501018592 | 1.5/8 HEX 60,0/60,2 LOCK NUT                                 |          | 08 |
| 08   | 0602029409 | DR 22 X 4,50 C74AF02FR1.9/16 10R                             |          | 20 |
| 09   | 0601029406 | DL 22 X 4,50 C74AF02FR1.9/16                                 |          | 20 |
| 10   | 0503011267 | BOLT 5/8" UNC X 1.1/2 C S G.5 ZN                             |          | 08 |
| 11   | 0501012140 | FLAT WASHER 16,50 X 40 X 4,00 ZN                             |          | 08 |
| 12   | 0503010013 | 5/8 UNC G.5 ZN HEX NUT                                       |          | 08 |





| Item | Code       | Description                              | See page | QT |
|------|------------|--|----------|----|
| 01   | 0531055221 | 196 X 1.1/2 IMP DMO AGRICULTURAL BEARING | 14       | 01 |
| 02   | 0502013047 | BEARING SUPPORT                          |          | 01 |
| 03   | 0501011541 | 5/8 UNC X 3 CS G.5 ZN1K28066 BOLT        |          | 02 |
| 04   | 0503010027 | 5/8 SPRING WASHER                        |          | 02 |
| 05   | 0503010013 | 5/8 UNC G.5 ZN HEX NUT                   |          | 02 |
| 06   | 0503011334 | 3/8 UNC X 3/4 CS G.5 ZN BOLT             |          | 04 |
| 07   | 0503010025 | 3/8" SPRING WASHER                       |          | 04 |
| 08   | 0581014143 | SWIVEL OIL BATH BEARING WEAR PLATE       |          | 01 |



| Item | Code       | Description                | See page | QT |
|------|------------|----------------------------|----------|----|
| 01   | 0502012839 | BEARING HOUSING 182/192,5  |          | 01 |
| 02   | 0503010006 | 32210 ROLLER BEARING       |          | 02 |
| 03   | 0503030026 | SEAL LP JB-253             |          | 02 |
| 04   | 0502020424 | HOUSING CAP 182/192,225    |          | 01 |
| 05   | 0503030013 | 4.4" X 3.5" X 0.004" JOINT |          | 02 |
| 06   | 0503030684 | 4.4" X 3.5" X 0.004" JOINT |          | 01 |
| 07   | 0503010134 | 3/8" X 1" BOLT             |          | 04 |
| 08   | 0501216951 | INNER FLANGE               |          | 01 |
| 09   | 0501216952 | OUTER FLANGE               |          | 01 |
| 10   | 0503010856 | OIL PLUG R 3/8 BSPT        |          | 02 |
| 11   | 0502040061 | 182/192,5 AXLE             |          | 01 |
| 12   | 0502010541 | SEAL HOLDER                |          | 02 |





***civemasa***

**Technical Publications | Elaboration and Revision**  
ALESSANDRA PATRICIA KAWAHARA CARRILI

[www.civemasa.com.br](http://www.civemasa.com.br)

