

DISK HARROWS

GNP - 40D - HYDRAULIC
GNP - 40D - HIDRAULICA

Code: 0501093916
Series: S-0224
Revision: 00
Revision Date: JUNE/2024

PARTS
CATALOGUE


CIVEMASA

PRODUCTS

Code	Working Width	Description
0121290033		GNP 40X22X4,5 MT DMO HID E 1.1/2 S-0224

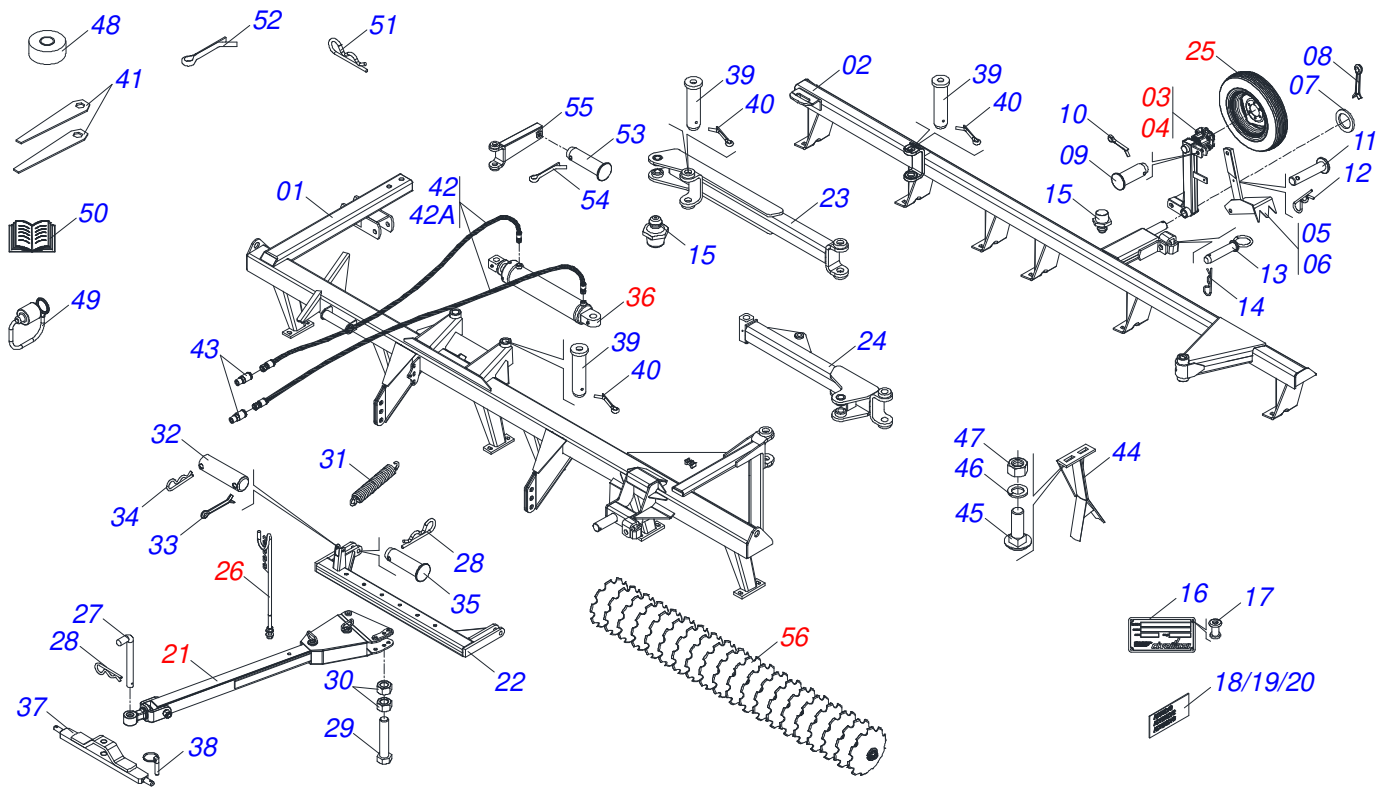
ATTENTION: IMPORTANT

CIVEMASA reserves the right to improve and/or modify the technical features of its products, without obligation to do the same with those products already sold and without prior knowledge of the dealer or the customer. The photos are only illustrative.



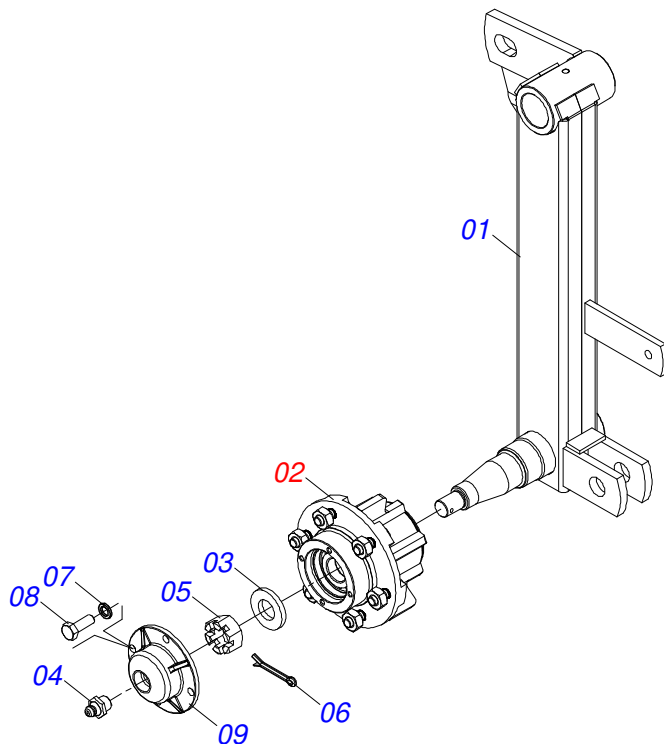
INDEX

0909093095	FRAME ASSY	1
0501051638	LEFT STUB SHAFT & HUB ASSY	2
0501051637	RIGHT STUB SHAFT & HUB ASSY	3
0501051142	CARRYING WHEEL HUB	4
0511048840	AXLE ASSY	5
0503060094	WHEEL AND TIRE ASSY	6
0501040257	3/4" X 38" HOSE SUPPORT ASSY	7
0511058408	HYDRAULIC CYLINDER	8
0909093091	DISC GANG ASSY	9
0531042480	196 X 1.1/2 DMO AGRICULTURAL BEARING WITH PROTECTION SUPPORT	10
0531055221	196 X 1.1/2 IMP DMO AGRICULTURAL BEARING	11

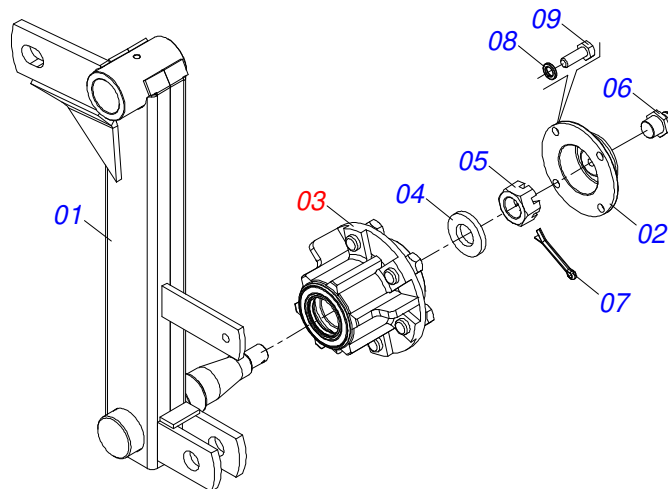


Item	Code	Description	See page	QT
01	0521060781	FRONT FRAME		01
02	0521060782	REAR FRAME		01
03	0501051638	LEFT STUB SHAFT & HUB ASSY	2	01
04	0501051637	RIGHT STUB SHAFT & HUB ASSY	3	01
05	0501060598	DRAWBAR JACK		01
06	0501060597	RIGHT DRAWBAR JACK		01
07	0501015875	FLAT WASHER		02
08	0503010523	1/4 X 2 SPLIT PIN		02
09	0521010592	1.1" X 3.1" COUPLING SHAFT		02
10	0503010073	3/8" X 3.1/2" SPLIT PIN		02
11	0521010549	COUPLING SHAFT		02
12	0503030168	HITCH PIN CLIP		02
13	0501068993	0.9" X 5.5" COUPLING SHAFT		02
14	0503030012	HITCH PIN CLIP		02
15	0503010002	1800 GREASE FITTING		10
16	0503034004	ALUMINUM IDENTIFICATION DECAL		01
17	0503010001	RIVET 3,2 X 5,5		04
18	0503031428	ATTENTION READ MANUAL DECAL		01
18.	0503033038	DANGER DECAL		02
18..	0503033244	CIVEMASA LOGO DECAL		02
18...	0503031807	ADHESIVE LABEL		01
19	0503033038	DANGER DECAL		01
19.	0503031738	WARNING DECAL		01
19..	0503033647	APPROVED DECAL		01
19...	0503034438	ADHESIVE LABEL		01
20	0503031739	DANGER DECAL		01
20.	0503034282	ADHESIVE LABEL GNP		02
21	0511048840	AXLE ASSY	5	01
22	0521060800	DRAWBAR ASSY		01
23	0511060636	REAR ARM		01
24	0511060637	ARM FRONT		01
25	0503060094	WHEEL AND TIRE ASSY	6	02

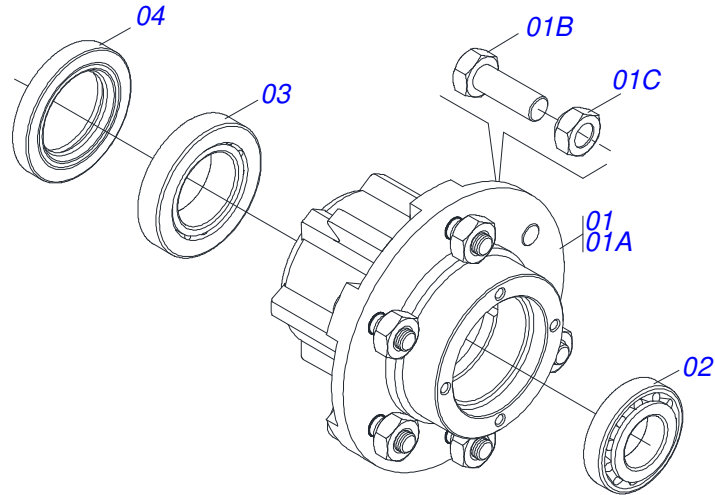
Item	Code	Description	See page	QT
26	0501040257	3/4" X 38" HOSE SUPPORT ASSY	7	01
27	0521010453	JOINT AXIS		01
28	0503030012	HITCH PIN CLIP		03
29	0503013185	BOLT 3/4" UNC X 5.1/2 C S G.7 ZN		02
30	0503012183	SNC 3/4" ZIN 1K03097 NUT		04
31	0503033133	SPRING		01
32	0521013816	PIN SEM HEAD PN-052 3090523 ZN		01
33	0503010362	1/8" X 1.1/4" SPLIT PIN		02
34	0503030168	HITCH PIN CLIP		02
35	0561013384	PIN		02
36	0511058408	HYDRAULIC CYLINDER	8	01
37	0521062443	BAR FOR TRANSPORT		01
38	0503030430	7/16 X 2" PIN LOCK		02
39	0511060177	PIN		05
40	0503010010	1/4" X 2.1/2" SPLIT PIN		07
41	0521013781	5 WRENCH		02
42	0501053227	ASSEMBLY		01
42A	0501080651	3/8 X 5400 TM-TM HOSE		02
43	0503011627	MALE QUICK COUPLER AGR 1/2 NPT		02
44	0511060204	CLEANER		28
45	0503019588	BOLT		56
46	0503010019	1/2" SPRING WASHER		56
47	0503012682	1/2" BSW NUT		56
48	0503013171	SEALING 1/2" X 10M 1J51066		01
49	0503011882	MALE QUICK COUPLER CAP		02
50	0511032621	PLASTIC COVER WITH INSTRUCTIONS MANUAL		01
51	0503031470	TM 251 X 4,0 STAPLE		03
52	0503010073	3/8" X 3.1/2" SPLIT PIN		01
53	0521013742	PIN		02
54	0503010523	1/4 X 2 SPLIT PIN		02
55	0511060566	SUPPORT		01
56		DISC GANG ASSY	9	



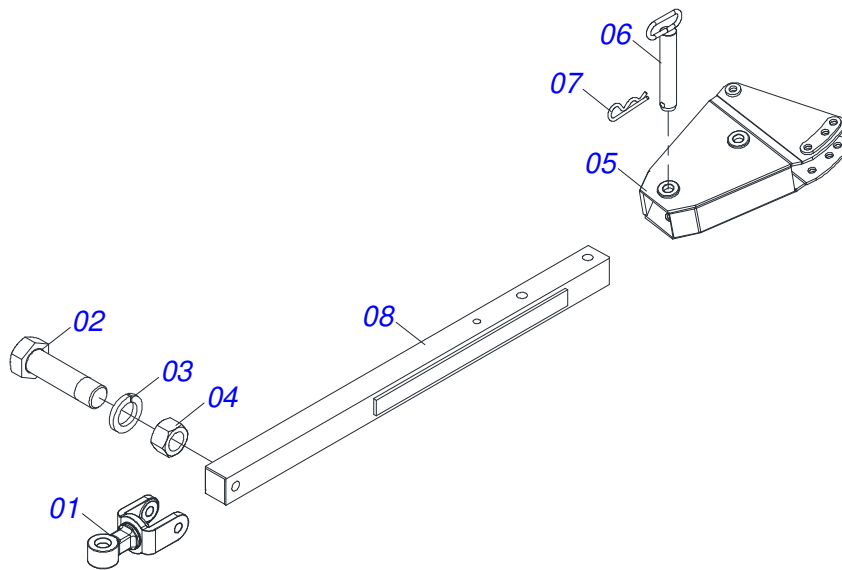
Item	Code	Description	See page	QT
01	0501069091	LEFT CARRYING-W FIXATION SUPPORT		01
02	0501051142	CARRYING WHEEL HUB	4	01
03	0501016545	FLAT WASHER		01
04	0503010002	1800 GREASE FITTING		01
05	0503030009	1" CASTLE NUT		01
06	0503010018	5/32" X 1-1/2" SPLIT PIN		01
07	0503011444	SPRING WASHER 5/16"		04
08	0503010358	5/16" X 5/8" BOLT		04
09	0502020591	PROTECTION LID		01



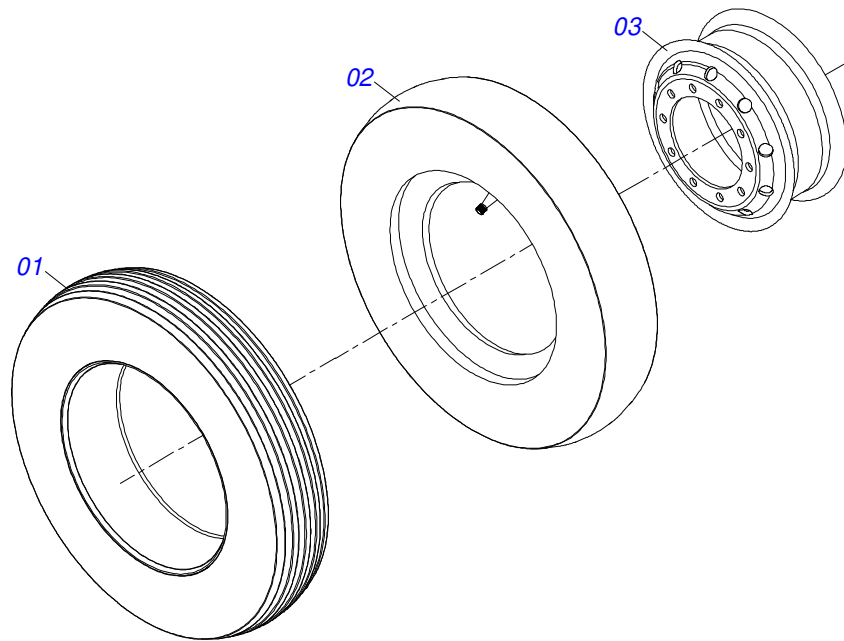
Item	Code	Description	See page	QT
01	0501068991	RIG CARRYING-WHEEL FIXATION SUPPORT		01
02	0502020591	PROTECTION LID		01
03	0501051142	CARRYING WHEEL HUB	4	01
04	0501016545	FLAT WASHER		01
05	0503030009	1" CASTLE NUT		01
06	0503010002	1800 GREASE FITTING		01
07	0503010018	5/32" X 1-1/2" SPLIT PIN		01
08	0503011444	SPRING WASHER 5/16"		04
09	0503010358	5/16" X 5/8" BOLT		04



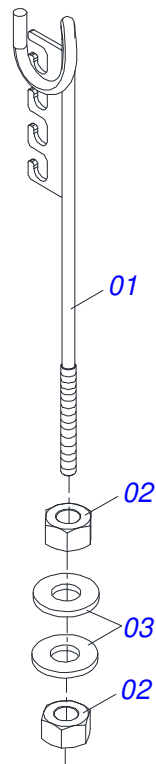
Item	Code	Description	See page	QT
01	0501110728	WHEEL HUB		01
01A	0502011121	CARRYING WHEEL HUB		01
01B	0501010127	9/16" X 1-7/8" LUG BOLT		06
01C	0503010035	9/16" CONIC NUT		06
02	0503010037	30207 ROLLER BEARING		01
03	0503010006	32210 ROLLER BEARING		01
04	0503012928	SEAL		01



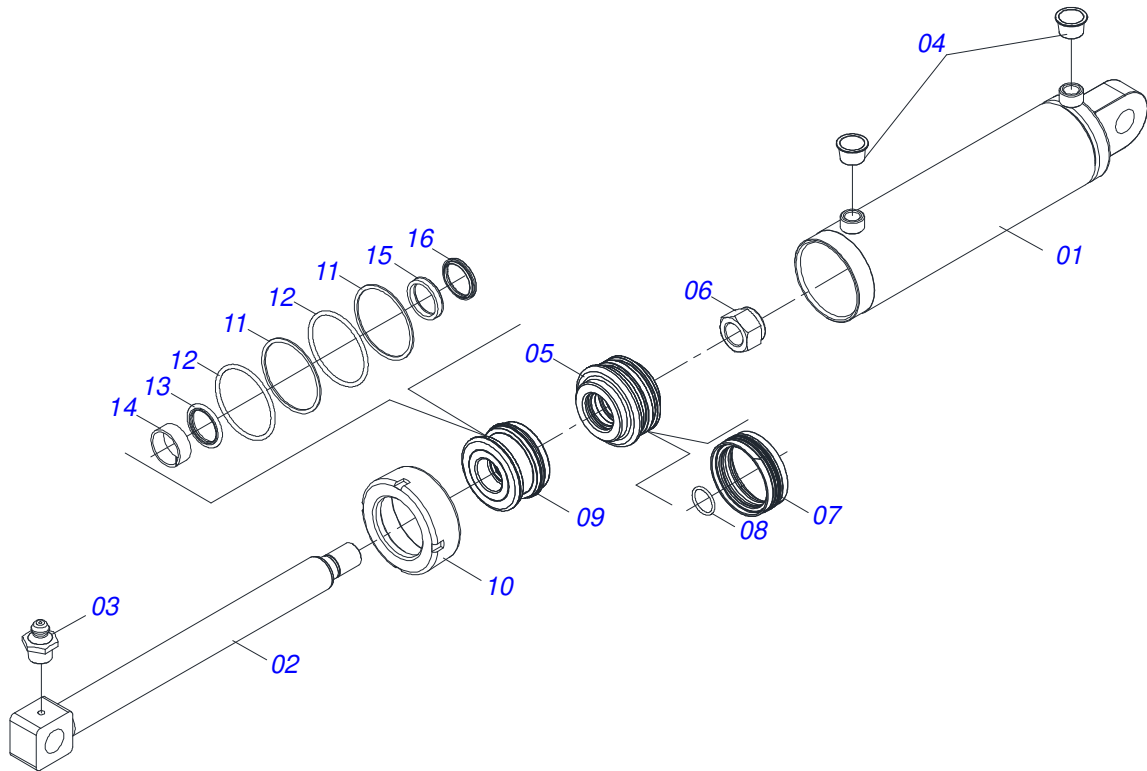
Item	Code	Description	See page	QT
01	0521061775	TRACTOR HITCH		01
02	0501010060	1" X 6-1/2" BOLT		01
03	0503011438	SPRING WASHER		01
04	0501010059	1.5/8 NUT		01
05	0521060799	DRAWBAR SUPPORT		01
06	0501075403	HITCH PIN		02
07	0503030012	HITCH PIN CLIP		02
08	0501060188	DRAWBAR ASSY		01



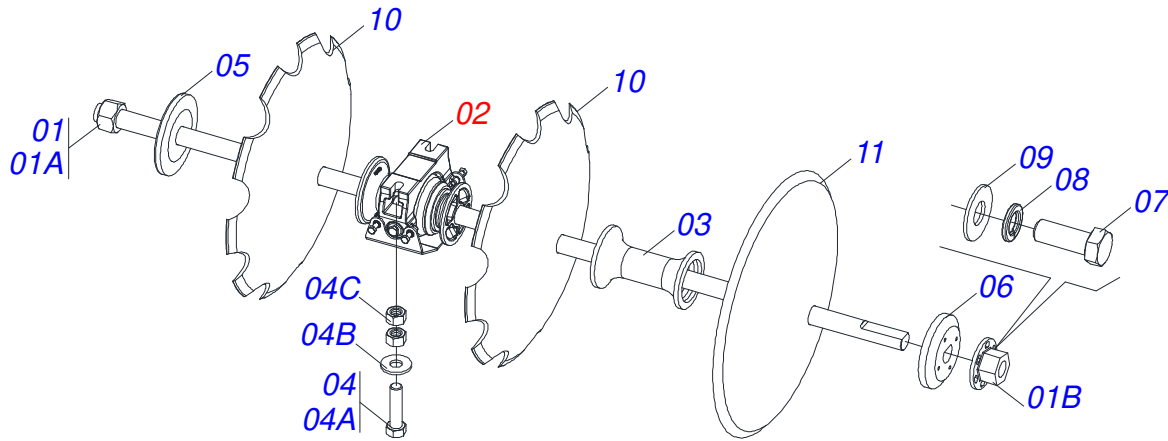
Item	Code	Description	See page	QT
01	0503010065	CANVAS TIRE		01
02	0503010068	6.00 X 16 INNER TIRE		01
03	0503010894	0.2"X0.6"X4.6"X6F0.6"X6" WHEEL		01



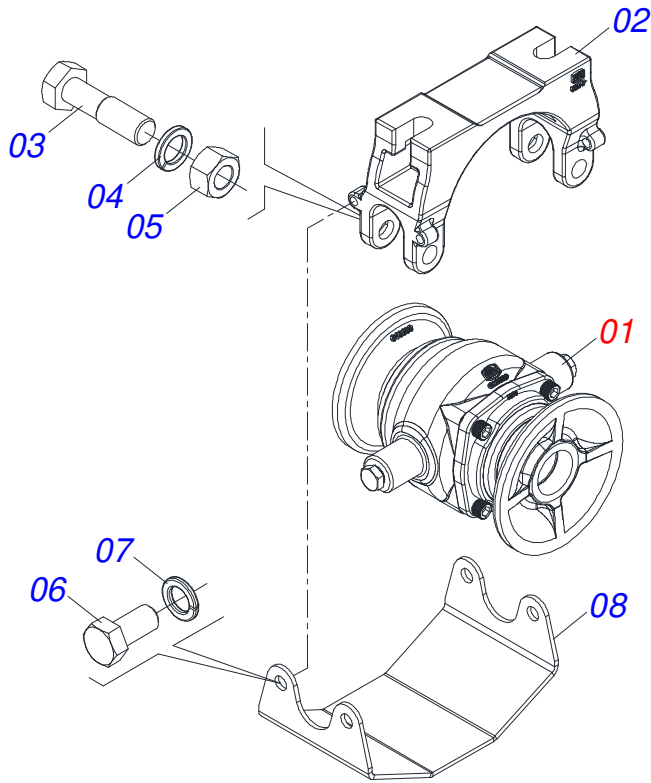
Item	Code	Description	See page	QT
01	0511067334	HOSE SUPPORT		01
02	0503010014	3/4" ZN G.5 (HEAVY) UNC HEX NUT		02
03	0501010322	20,50 X 46 X 4,00 ZN FLAT WASHER		02



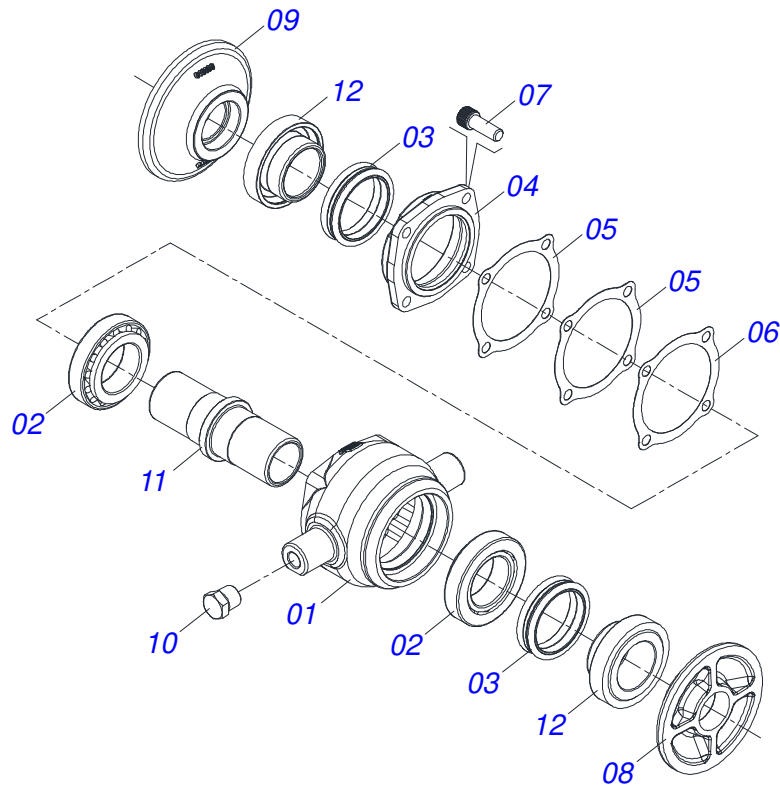
Item	Code	Description	See page	QT
01	0511062246	CYLINDER CASE		01
02	0511062247	TURNBUCKLE		01
03	0503010002	1800 GREASE FITTING		01
04	0503030384	PLUG N-001		02
05	0581010837	PISTON		01
06	0503010817	1.1/4" SELF LOCKING NUT		01
07	0503015633	SELEMASTER SEALING		01
08	0503018029	O'RING 2-217 N 3006 90B		01
09	0581010302	RING OF SUPPORT		01
10	0502012822	END CAP 4"		01
11	0503011061	8-342 BACK-UP RING		02
12	0503010338	2-342 N 3006-9B O'RING		02
13	0503017936	RING		01
14	0503017938	RING GUIDE		01
15	0503017937	GASKET		01
16	0503010761	D-1750 SCRAPER RING		01



Item	Code	Description	See page	QT
01	0511050313	AXLE DISC WITH NUTS		04
01A	0511060781	AXLE DISC		01
01B	0502011593	7" AXLE NUT		01
02	0531042480	196 X 1.1/2 DMO AGRICULTURAL BEARING WITH PROTECTION SUPPORT	10	12
03	0502011594	SPACER		24
04	0521048902	SCREW ASSEMBLY 5/8 UNC 3		24
04A	0501011541	5/8 UNC X 3 CS G.5 ZN1K28066 BOLT		01
04B	0501012140	FLAT WASHER 16,50 X 40 X 4,00 ZN		01
04C	0503010013	5/8 UNC G.5 ZN HEX NUT		02
05	0502011606	INNER FLANGE		02
05.	0502011608	INNER FLANGE		02
06	0502011607	OUTER FLANGE		02
06.	0502011609	OUTER FLANGE		02
07	0503010237	3/8" X 1" BOLT		08
08	0503010025	3/8" SPRING WASHER		08
09	0501013518	FLAT WASHER 10,50 X 24 X 1,50 ZN		08
10	0602029409	DR 22 X 4,50 C74AF02FR1.9/16 10R		20
11	0601029406	DL 22 X 4,50 C74AF02FR1.9/16		20



Item	Code	Description	See page	QT
01	0531055221	196 X 1.1/2 IMP DMO AGRICULTURAL BEARING	11	01
02	0502013047	BEARING SUPPORT		01
03	0501011541	5/8 UNC X 3 CS G.5 ZN1K28066 BOLT		02
04	0503010027	5/8 SPRING WASHER		02
05	0503010013	5/8 UNC G.5 ZN HEX NUT		02
06	0503011334	3/8 UNC X 3/4 CS G.5 ZN BOLT		04
07	0503010025	3/8" SPRING WASHER		04
08	0581014143	SWIVEL OIL BATH BEARING WEAR PLATE		01



Item	Code	Description	See page	QT
01	0502012839	BEARING HOUSING 182/192,5		01
02	0503010006	32210 ROLLER BEARING		02
03	0503030026	SEAL LP JB-253		02
04	0502020424	HOUSING CAP 182/192,225		01
05	0503030013	4.4" X 3.5" X 0.004" JOINT		02
06	0503030684	4.4" X 3.5" X 0.004" JOINT		01
07	0503010134	3/8" X 1" BOLT		04
08	0501216951	INNER FLANGE		01
09	0501216952	OUTER FLANGE		01
10	0503010856	OIL PLUG R 3/8 BSPT		02
11	0502040061	182/192,5 AXLE		01
12	0502010541	SEAL HOLDER		02



civemasa

Technical Publications | Elaboration and Revision
ALESSANDRA PATRICIA KAWAHARA CARRILI

www.civemasa.com.br

