

DISK HARROWS

GPC 12/14/20D
GPC 12/14/20D

Code: 0501093914
Series: S-1023
Revision: 00
Revision Date: JUNE/2024

PARTS
CATALOGUE

CIVEMASA

A solid orange horizontal bar located at the top left of the page.

PRODUCTS

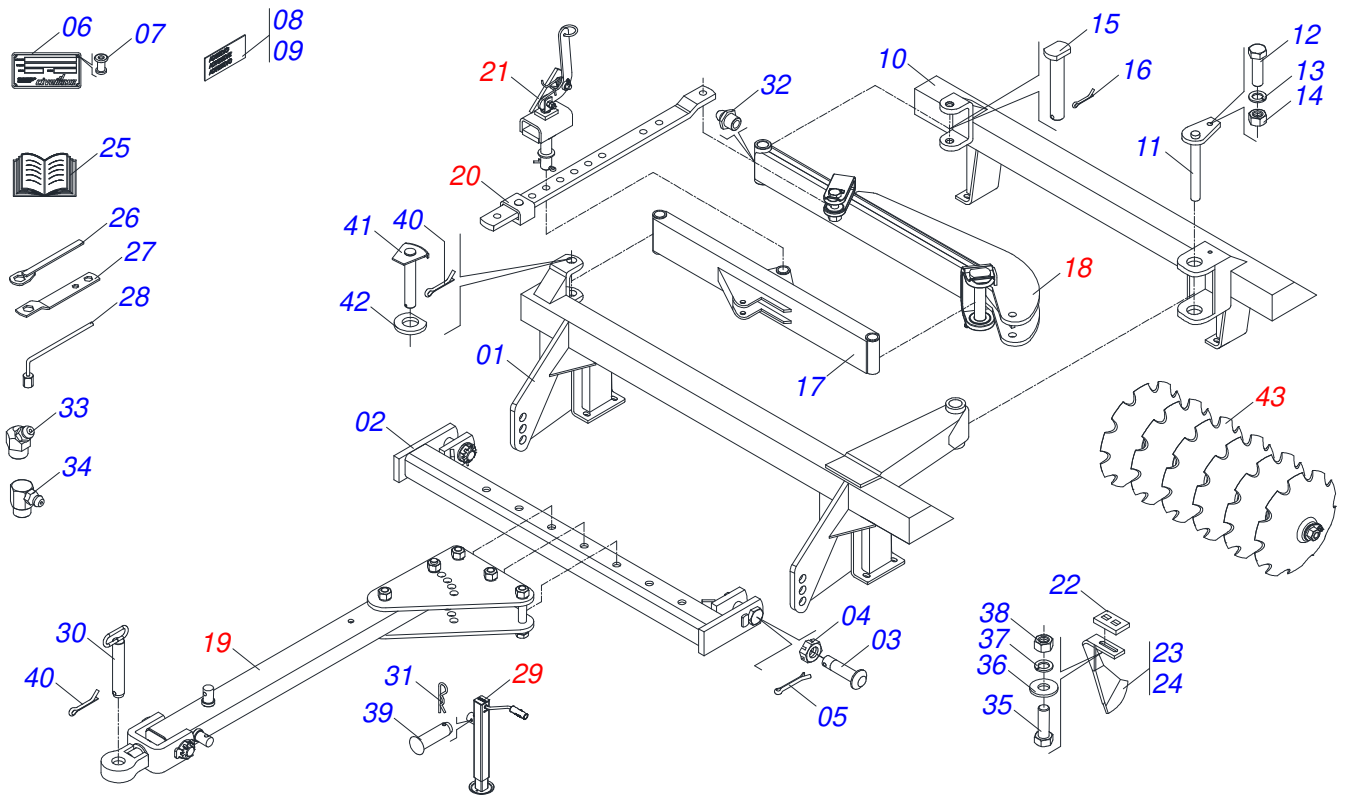
Code	Working Width	Description
0121060026		GPC 12X32X12 DR DMO E 2.1/8 S-1023
0121060027		GPC 12X32X9 DR DMO E 2.1/8 S-1023
0121060028		GPC 14X32X9 DR DMO E 2.1/8 S-1023
0121060029		GPC 20X32X9 DR DMO E 2.1/8 S-1023

ATTENTION: IMPORTANT

CIVEMASA reserves the right to improve and/or modify the technical features of its products, without obligation to do the same with those products already sold and without prior knowledge of the dealer or the customer. The photos are only illustrative.

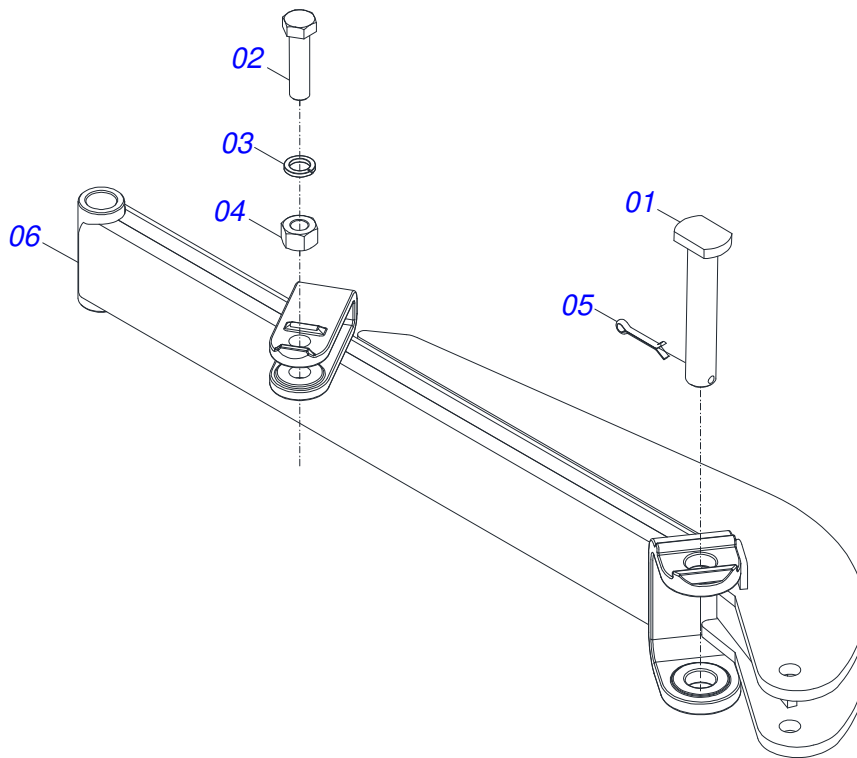
INDEX

0909094000	FRAME ASSY	1
0501041219	REAR STABILIZER BAR - 12/14/16D	2
0501041215	DRAWBAR ASSY - 10/12/14D	3
0501041372	DRAWBAR ASSY - 16/18/20/24D	4
0501041859	ADJUSTMENT BAR ASSY - 10/12/14/16D	5
0501041216	ADJUSTMENT BAR ASSY - 18/20/24/30D	6
0501040057	ADJUSTMENT ASSY	7
0503062157	DRAWBAR JACK	8
0909094007	DISC GANG ASSY	9
0531041671	DMO 330 X 2.1/8 BERIANG	10
0531053200	DMO 330 X 2.1/8 IMP BEARING	11

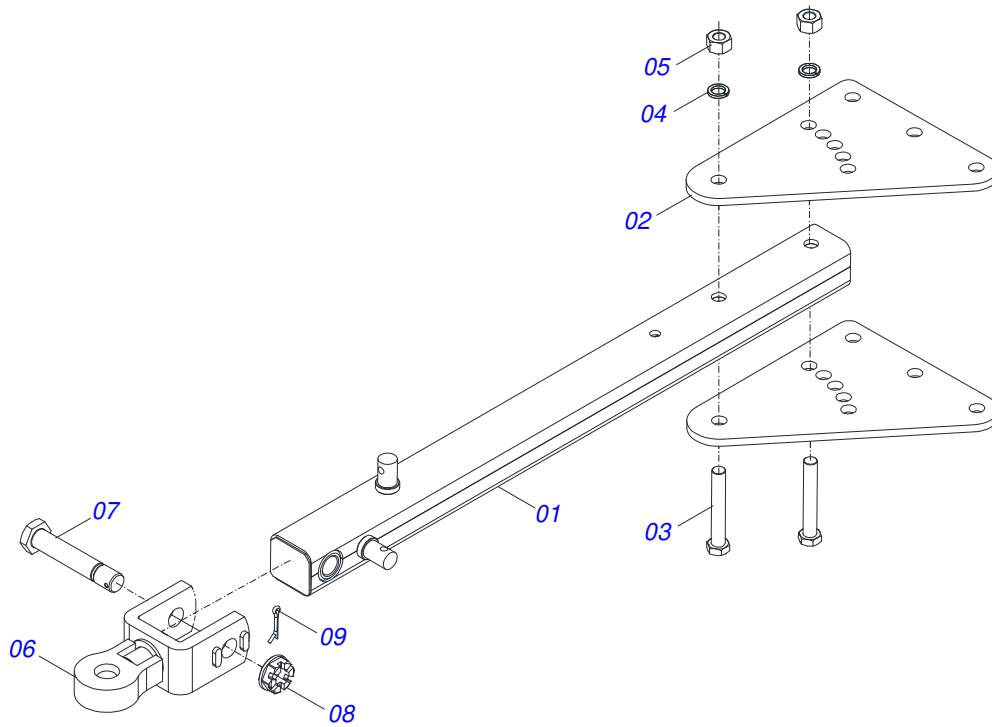


Item	Code	Description	See page	12	14	20
01	0531060356	FRONT FRAME - 12D		01	00	00
01.	0531060464	FRONT FRAME - 14D		00	01	00
01..	0521068671	FRONT FRAME - 20D		00	00	01
02	0501060315	OFFSET BAR - 12D		01	00	00
02.	0501063938	OFFSET BAR - 14D		00	01	00
02..	0501060451	OFFSET BAR - 18/20D		00	00	01
03	0501016416	1-1/2" X 5.4" BOLT		02	02	02
04	0501011301	1.1/2" UNC 6FPP 2.5/16" NUT		02	02	02
05	0503010010	1/4" X 2.1/2" SPLIT PIN		02	02	02
06	0503034004	ALUMINUM IDENTIFICATION DECAL		01	01	01
07	0503010001	RIVET 3,2 X 5,5		04	04	04
08	0503032637	ADHESIVE GPC		02	02	02
08.	0503034355	EMBLEM		02	02	02
08..	0503033647	APPROVED DECAL		01	01	01
09	0503031738	WARNING DECAL		01	01	01
09.	0503031428	ATTENTION READ MANUAL DECAL		01	01	01
09..	0503031739	DANGER DECAL		01	01	01
10	0531060355	REAR FRAME - 12D		01	00	00
10.	0531060465	REAR FRAME - 14D		00	01	00
10..	0521068672	REAR FRAME - 20D		00	00	01
11	0501062185	2.5" X 13.6" COUPLING SHAFT		01	01	01
12	0501010276	BOLT		01	01	01
13	0503010012	1" SPRING WASHER		01	01	01
14	0503014018	1" NUT		01	01	01
15	0521010644	1.5" X 8.4" COUPLING SHAFT		01	01	01
16	0503010534	3/8" X 2.1/2" SPLIT PIN		01	01	01
17	0501060428	FRONT STABILIZER BAR - 12/14/16D		01	01	00
17.	0501060448	FRONT STABILIZER BAR - 18/20/24/30D		00	00	01
18	0501041219	REAR STABILIZER BAR - 12/14/16D	2	01	01	01
19	0501041215	DRAWBAR ASSY - 10/12/14D	3	01	01	00
19.	0501041372	DRAWBAR ASSY - 16/18/20/24D	4	00	00	01
20	0501041859	ADJUSTMENT BAR ASSY - 10/12/14/16D	5	01	01	00

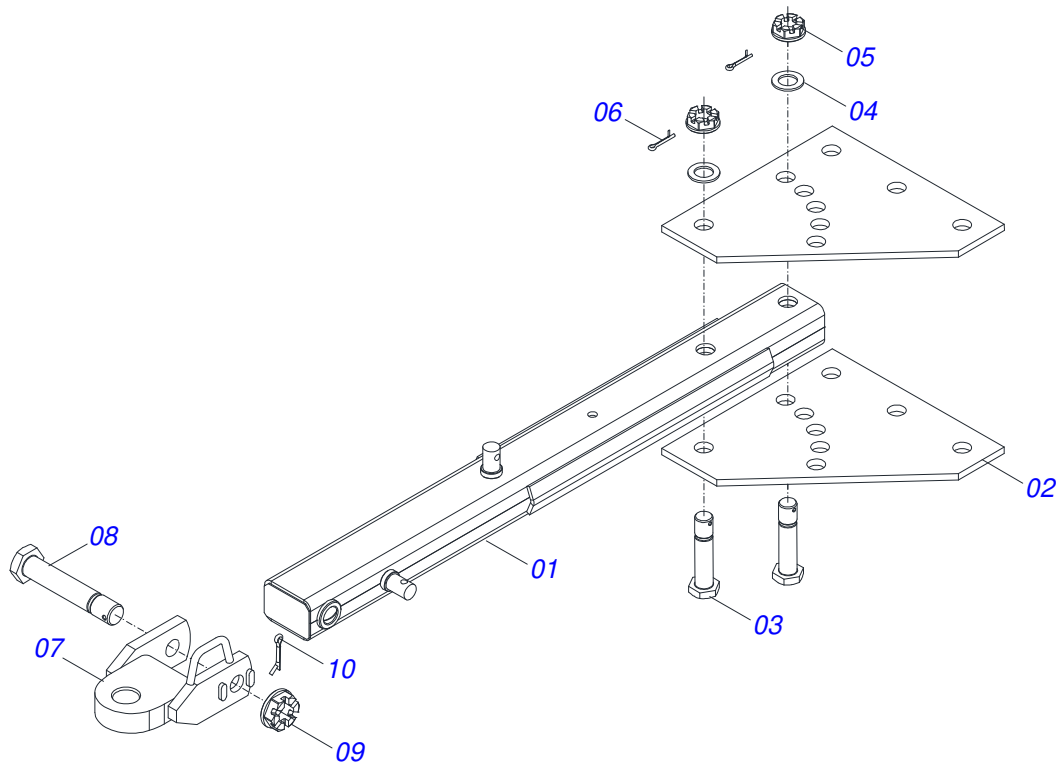
Item	Code	Description	See page	12	14	20
20.	0501041216	ADJUSTMENT BAR ASSY - 18/20/24/30D	6	00	00	01
21	0501040057	ADJUSTMENT ASSY	7	01	01	01
22	0501010299	SCRAPER LOCK		12	14	20
23	0501060423	FRONT SCRAPER		06	07	10
24	0501060424	REAR SCRAPER		06	07	10
25	0511033153	PLASTIC COVER WITH INSTRUCTIONS MANUAL		01	01	01
26	0501316941	KEY 2.1/8 AND 2.1/2		02	02	02
26.	0501011432	1-1/2" AND 1-5/8 GANG BOLT WRENCH		00	00	01
27	0511018451	5/8" X 3/4" X 1" UNIVERSAL		01	01	00
28	0501061045	1" WRENCH CYLINDRICAL		01	01	01
29	0503062157	DRAWBAR JACK	8	01	01	01
30	0501069080	COUPLING SHAFT		01	01	00
31	0503030168	HITCH PIN CLIP		01	01	01
32	0503010002	1800 GREASE FITTING		03	05	05
33	0503010003	1845 GREASE FITTING		03	00	00
34	0503010004	1890 GREASE FITTING		01	00	00
35	0503010233	5/8 UNC X 2.1/2 CS G.5 ZN BOLT		24	28	40
36	0501012140	FLAT WASHER 16,50 X 40 X 4,00 ZN		32	36	56
37	0503010027	5/8 SPRING WASHER		32	36	56
38	0503010013	5/8 UNC G.5 ZN HEX NUT		32	36	56
39	0521010549	COUPLING SHAFT		01	01	01
40	0503010534	3/8" X 2.1/2" SPLIT PIN		01	01	02
41	0501063253	2" X 11.9" COUPLING SHAFT		00	00	01
42	0581016086	FLAT WASHER 51 X 100 X 12.50 WITH CUTOUT		00	00	01
43		DISC GANG ASSY	9			



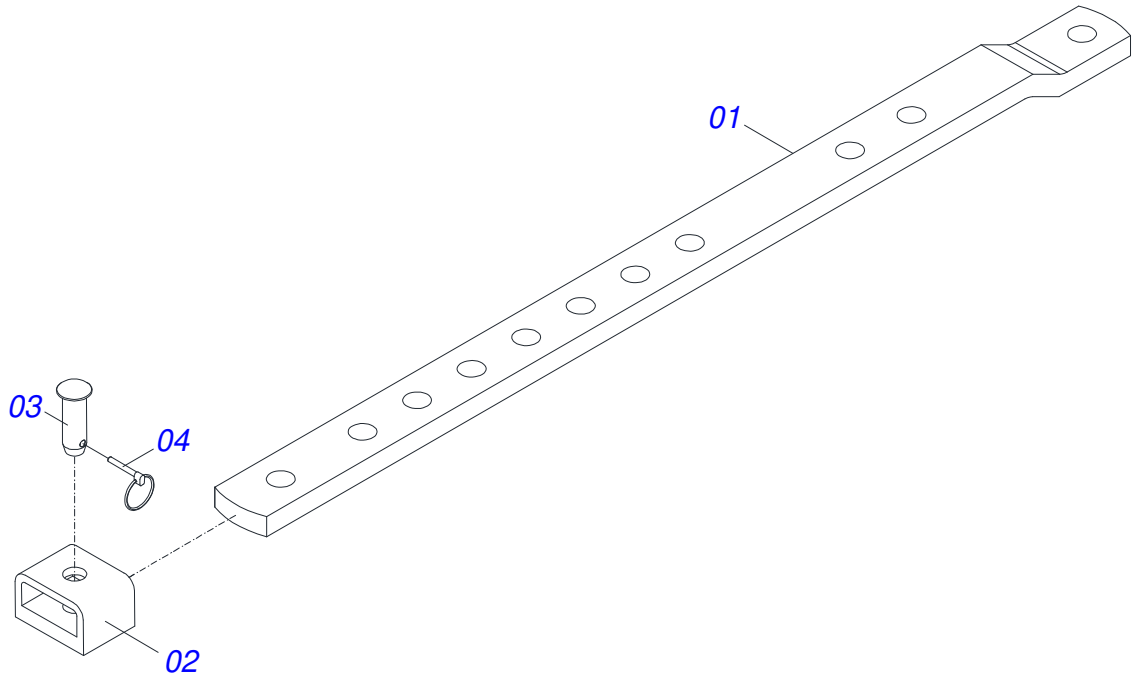
Item	Code	Description	See page	QT
01	0521010644	1.5" X 8.4" COUPLING SHAFT		01
02	0503011432	BOLT		01
03	0503011438	SPRING WASHER		01
04	0501010059	1.5/8 NUT		01
05	0503010534	3/8" X 2.1/2" SPLIT PIN		01
06	0501060433	REAR STABILIZER BAR		01



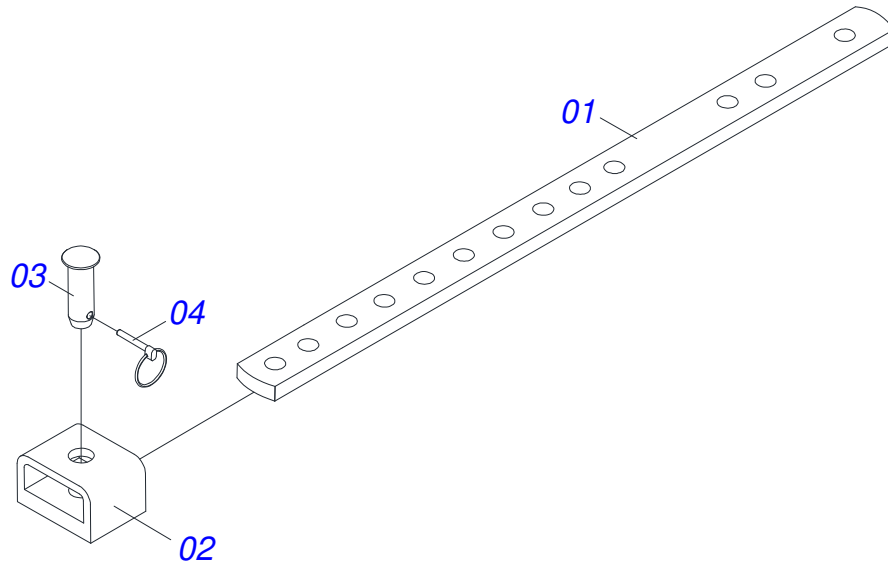
Item	Code	Description	See page	QT
01	0501066715	DRAWBAR		01
02	0511013000	UPPER /LOWER PLATE		02
03	0501010060	1" X 6-1/2" BOLT		05
04	0503011438	SPRING WASHER		05
05	0501010059	1.5/8 NUT		05
06	0501062869	TRACTOR HITCH		01
07	0501017291	1-1/2" X 8.1" BOLT		01
08	0501011301	1.1/2" UNC 6FPP 2.5/16" NUT		01
09	0503010010	1/4" X 2.1/2" SPLIT PIN		01



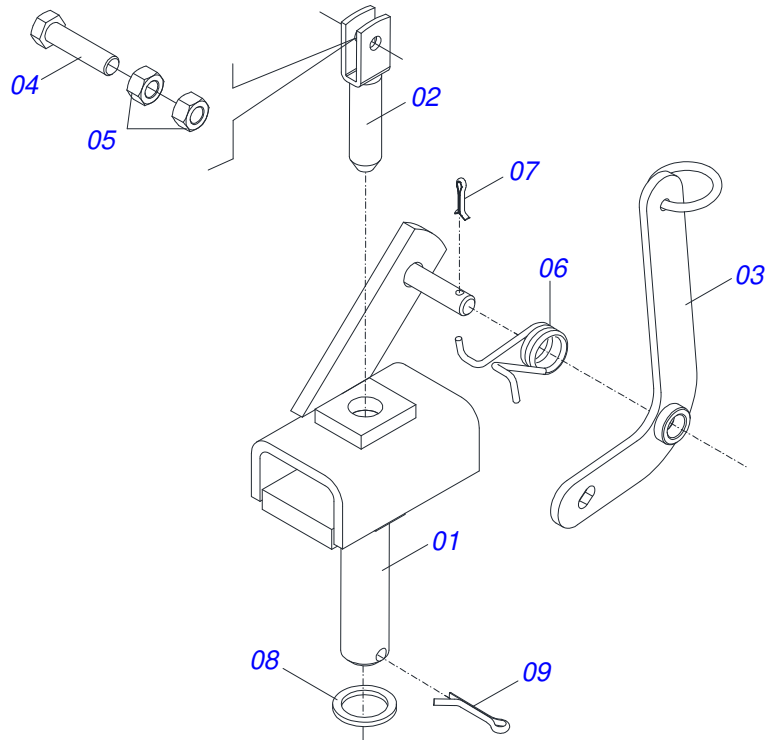
Item	Code	Description	See page	QT
01	0501060299	DRAWBAR ASSY		01
02	0501010272	UPPER/LOWER PLATE		02
03	0501010295	1-1/2" X 6.9" BOLT		05
04	0501012916	FLAT WASHER 40 X 66 X 4,75 ZN		05
05	0501011301	1.1/2" UNC 6FPP 2.5/16" NUT		05
06	0503010010	1/4" X 2.1/2" SPLIT PIN		05
07	0501060317	TRACTOR HITCH		01
08	0501016415	1-1/2" X 9.6" BOLT		01
09	0501011301	1.1/2" UNC 6FPP 2.5/16" NUT		01
10	0503010010	1/4" X 2.1/2" SPLIT PIN		01



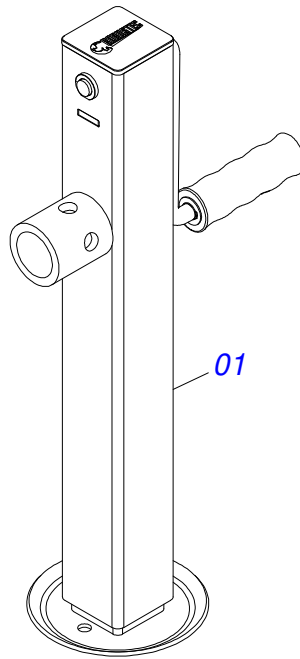
Item	Code	Description	See page	QT
01	0501013208	ADJUSTMENT BAR		01
02	0501060434	BEATER BOX		01
03	0521010572	0.9" X 2.9" COUPLING SHAFT		01
04	0503030085	LOCK PIN		01



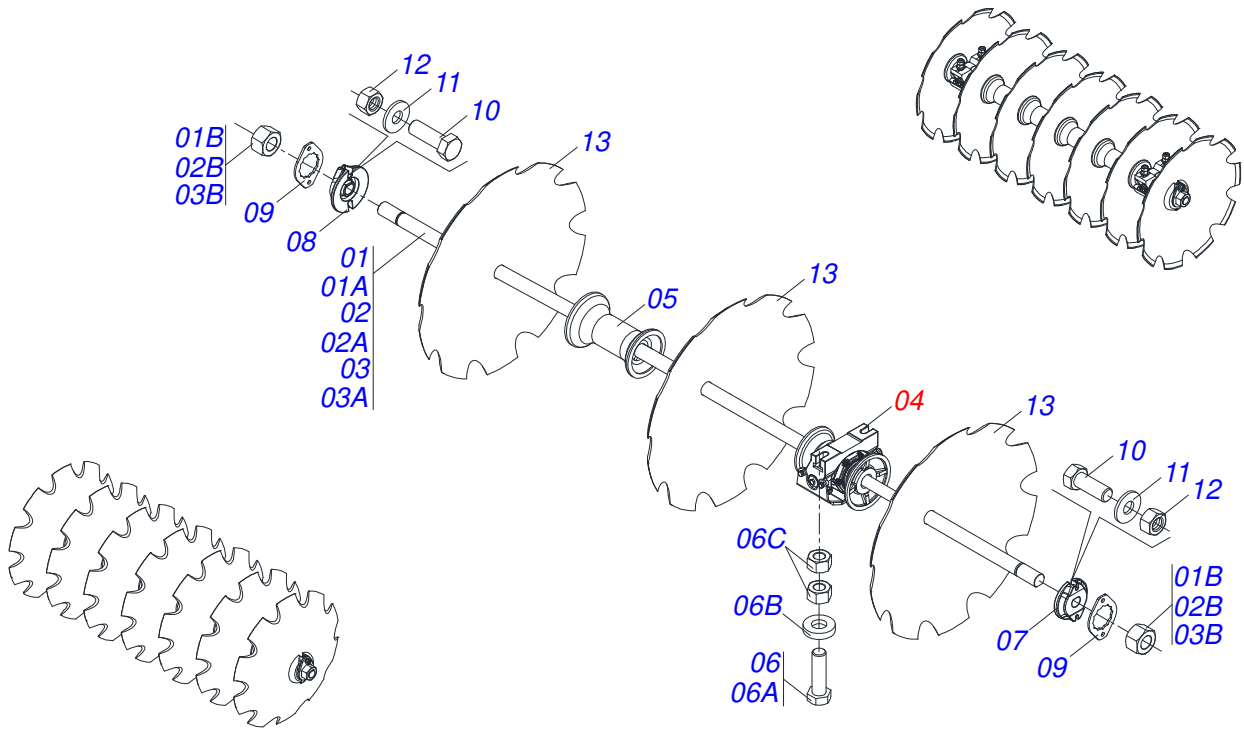
Item	Code	Description	See page	QT
01	0501013284	ADJUSTMENT BAR		01
02	0501060434	BEATER BOX		01
03	0521010573	0.9" X 3.1" COUPLING SHAFT		01
04	0503010571	1/4" X 1.1/2" SPLIT PIN		01



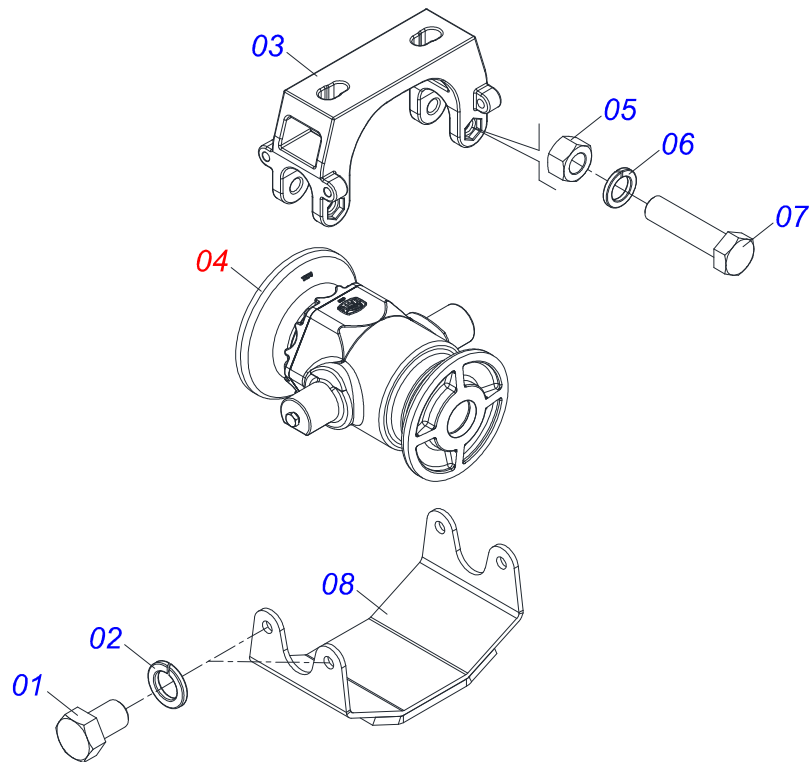
Item	Code	Description	See page	QT
01	0501060314	VALVE PROTECTION		01
02	0501060185	ADJUSTMENT LOCK		01
03	0501068981	ADJUSTMENT LEVER		01
04	0501010077	1/2" X 2" BOLT		01
05	0503010060	1/2 UNC G.5 ZN HEX NUT		02
06	0503030025	1.4" X 0.2" TORSION SPRING		01
07	0503010071	3/16" X 1" SPLIT PIN		01
08	0501010237	FLAT WASHER		01
09	0503010010	1/4" X 2.1/2" SPLIT PIN		01



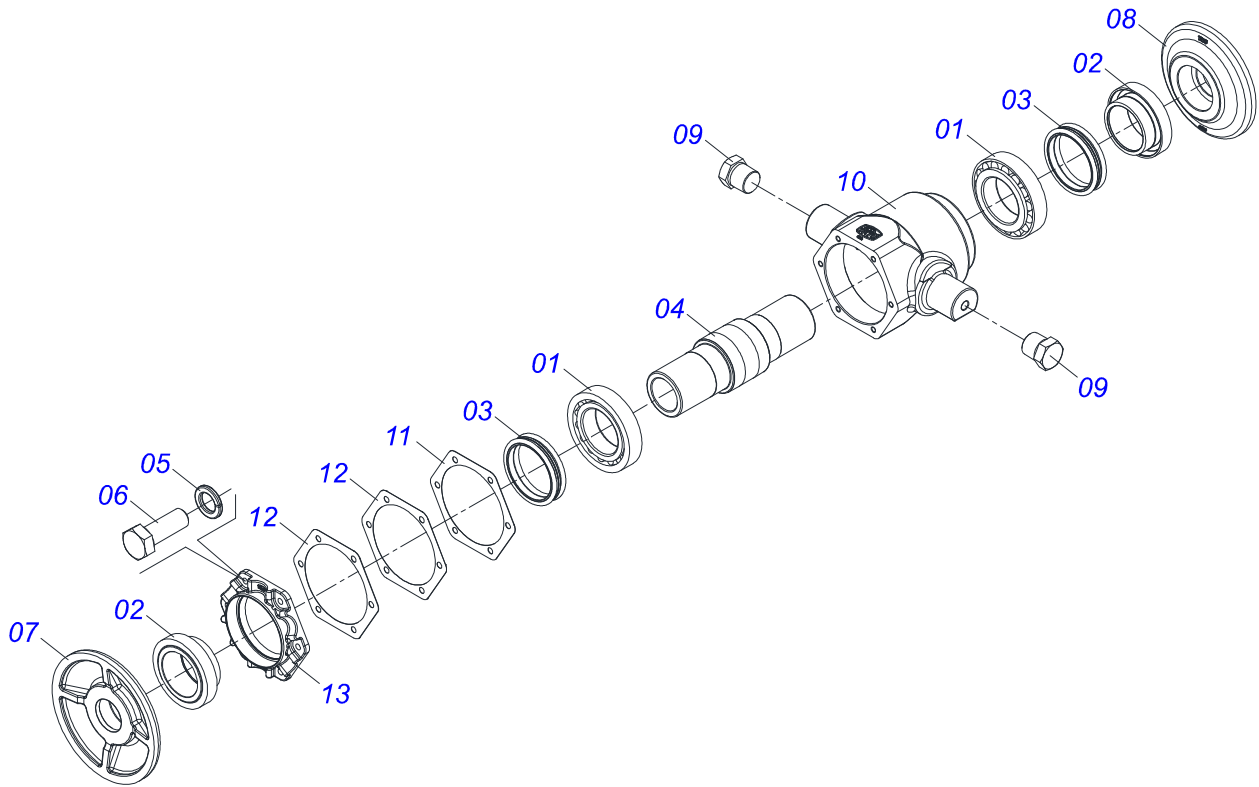
Item	Code	Description	See page	QT
01	0503062157	DRAWBAR JACK	8	01



Item	Code	Description	See page	12	14	20
01	0511042123	2-1/8" X 76" AXLE WITH NUTS		02	00	00
01A	0501013759	2-1/8" X 76" AXLE		01	00	00
01B	0502040063	2-1/8" X 54 99 NUT		02	00	00
02	0501041514	2-1/8" X 8.9" AXLE WITH NUTS		00	02	00
02A	0501013760	2-1/8" X 8.9" AXLE		00	01	00
02B	0502040063	2-1/8" X 54 99 NUT		00	02	00
03	0511047064	2-1/8" X 63" AXLE		00	00	04
03A	0551017147	2-1/8" X 63" AXLE		00	00	01
03B	0502040063	2-1/8" X 54 99 NUT		00	00	02
04	0531041671	DMO 330 X 2.1/8 BERIANG	10	04	04	08
05	0502010643	13" 2-1/8" SPACER		06	08	08
06	0531041581	1" X 4" BOLT ASSY		08	08	16
06A	0503011432	BOLT		01	01	01
06B	0541010210	FLAT WASHER		01	01	01
06C	0501010059	1.5/8 NUT		02	02	02
07	0502010595	2-1/8" INNER AXLE WASHER		02	02	04
08	0502010594	2-1/8" EXTERNAL AXLE WASHER		02	02	04
09	0541010368	NUT LOCK		04	04	08
10	0503010232	5/8" X 1.3/4" BOLT		08	08	16
11	0501012140	FLAT WASHER 16,50 X 40 X 4,00 ZN		08	08	16
12	0503010013	5/8 UNC G.5 ZN HEX NUT		08	08	16
13	0602044003	DR 32 X 12,00 C115AF04FR2.3/16 10R		12	00	00
13.	0602044001	DR 32 X 9,00 C115AF04FR2.3/16 10R		00	14	20



Item	Code	Description	See page	QT
01	0503010834	1/2 X 1 BOLT		04
02	0503010019	1/2" SPRING WASHER		04
03	0502013011	360 OSCILLATING BEARING SUPPORT (CENTRAL)		01
04	0531053200	DMO 330 X 2.1/8 IMP BEARING	11	01
05	0503010013	5/8 UNC G.5 ZN HEX NUT		02
06	0503010027	5/8 SPRING WASHER		02
07	0503010480	5/8" X 4.3/4" BOLT		02
08	0501210530	SWING BEARING COVER		01



Item	Code	Description	See page	QT
01	0503010117	32216 ROLLER BEARING		02
02	0502040123	MRO - 330 PORT RETAINER WITH BUSH		02
03	0503030028	JB-257 SEAL		02
04	0502040034	BEARING AXLE		01
05	0503011443	SPRING WASHER 3/8"		06
06	0503010751	C3/8" X 1.1/4" HEX BOLT G.5		06
07	0502040260	OUTER FLANGE		01
08	0502040261	INNER FLANGE		01
09	0503010856	OIL PLUG R 3/8 BSPT		02
10	0502013012	2.1/8" BEARING HUB		01
11	0503034044	JOINT		01
12	0503034045	JOINT		02
13	0502012772	BEARING COVER		01



civemasa

Technical Publications | Elaboration and Revision
ALESSANDRA PATRICIA KAWAHARA CARRILI

www.civemasa.com.br

