

DISK HARROWS

**GASPCRC-HD 9017 - 2.1/2" AXLE - HYDRAULIC
ARTICULATED - 32/34/36D**

**GASPCRC-HD 9017 - EIXO 2.1/2" - ARTICULADA
HIDRAULICA - 32/34/36D**

Code: 0501093912
Series: S-0923
Revision: 00
Revision Date: JANUARY/2025

PARTS CATALOGUE

CIVEMASA

PRODUCTS

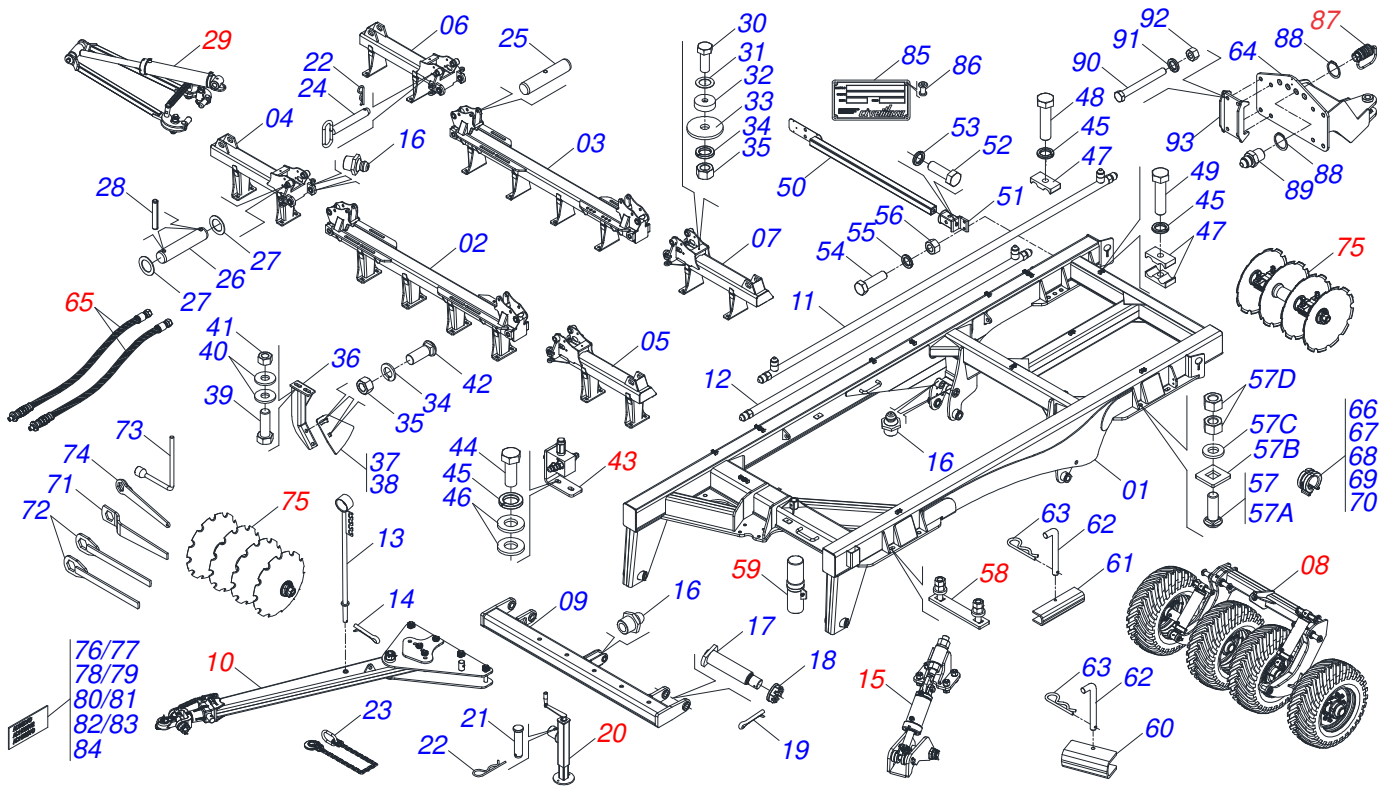
Code	Working Width	Description
0121510302		GASPCRC-HD 9017 32 X 36 X 12,00 DR DMO HID E 2.1/2 ESP S-0923
0121510305		GASPCRC-HD 9017 32 X 36 X 12,00 DR DMO HID E 2.1/2 ESP S-0923
0121510301		GASPCRC-HD 9017 32 X 40 X 12,00 DR DMO HID E 2.1/2 ESP S-0923
0121510304		GASPCRC-HD 9017 32 X 40 X 12,00 DR DMO HID E 2.1/2 ESP S-0923
0121510300		GASPCRC-HD 9017 34 X 36 X 12,00 DR DMO HID E 2.1/2 ESP S-0923
0121510303		GASPCRC-HD 9017 34 X 36 X 12,00 DR DMO HID E 2.1/2 ESP S-0923
0121510298		GASPCRC-HD 9017 34 X 40 X 12,00 DR DMO HID E 2.1/2 ESP S-0923
0121510299		GASPCRC-HD 9017 34 X 40 X 12,00 DR DMO HID E 2.1/2 ESP S-0923
0121510294		GASPCRC-HD 9017 36 X 36 X 12,00 DR DMO HID E 2.1/2 ESP S-0923
0121510297		GASPCRC-HD 9017 36 X 36 X 12,00 DR DMO HID E 2.1/2 ESP S-0923
0121510295		GASPCRC-HD 9017 36 X 40 X 12,00 DR DMO HID E 2.1/2 ESP S-0923
0121510296		GASPCRC-HD 9017 36 X 40 X 12,00 DR DMO HID E 2.1/2 ESP S-0923

ATTENTION: IMPORTANT

CIVEMASA reserves the right to improve and/or modify the technical features of its products, without obligation to do the same with those products already sold and without prior knowledge of the dealer or the customer. The photos are only illustrative.

INDEX

0909097438	ASSY FRAME	1
0909096659	WHEEL SET	2
0521058003	2" X 5" X 25" X 13" HIDRAULIC CYLINDER	3
0531051144	WHEEL WITHOUT TIRE	4
0503063281	RIGHT WHEEL	5
0503063282	LEFT WHEEL	6
0521041823	TRACTION BAR ASSY (PIN 3")	7
0531040171	HITCH ASSY	8
0909094136	ARTICULATED DRAWBAR ASSY	9
0511058521	2" X 4" X 20" X 6" HYDRAULIC CYLINDER	10
0511048088	DRAWBAR JACK	11
0909096384	ARTICULATOR ASSEMBLY	12
0511050181	COMPLETE FRONT LEFT REAR RIGHT ARTICULATION	13
0511050182	ARTICULACION FRONT RIGHT REAR LEFT COMPLETE	14
0511059197	3" X 4" X 42" X 28" HYDRAULIC CYLINDER	15
0511059196	VALVE ASSY	16
0531040021	FIXING ASSEMBLY	17
0521052434	ASSY PORT MANUAL INSTRUCCION	18
0501053835	FEMALE QUICK COUPLER	19
0909096663	FRAMES ARTICULATION HYDRAULIC CIRCUIT	20
0909096664	WHEEL LIFTING HYDRAULIC CIRCUIT	21
0501053834	MALE QUICK COUPLER	22
0909097439	ASSY DISCS SECTION - 32/34/36D	23
0531041571	430 X 2.1/2 DMO BEARING WITH PROTECTION SUPPORT	24
0531052794	430 X 2.1/2 DMO BEARING	25

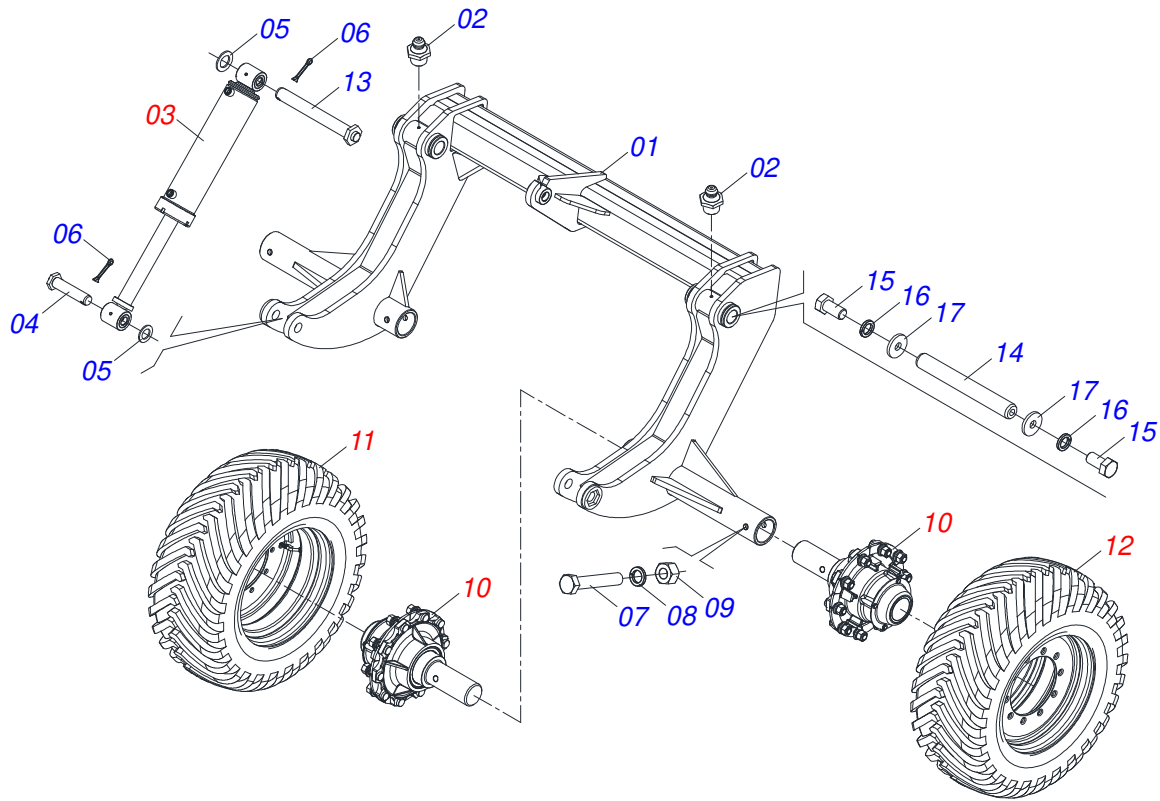


Item	Code	Description	See page	032	034	036
				032	034	036
01	0531060848	FRAME		001	001	001
02	0531061777	FRONT FRAME - 32/36D		001	000	001
02.	0531061775	REAR FRAME - 34D		000	001	000
03	0531061776	REAR FRAME -32/36D		001	000	001
03.	0531061774	REAR FRAME - 34D		000	001	000
04	0531061792	RIGHT SIDE FRONT FRAME - 32/34D		001	001	000
04.	0531061787	RIGHT SIDE FRONT FRAME - 36D		000	000	001
05	0531061791	LEFT SIDE FRONT FRAME - 32/34D		001	001	000
05.	0531061616	LEFT SIDE FRONT FRAME - 36D		000	000	001
06	0531061790	RIGHT SIDE REAR FRAME - 32/34D		001	001	000
06.	0531061788	RIGHT SIDE REAR FRAME - 36D		000	000	001
07	0531061789	LEFT SIDE REAR FRAME - 32/34D		001	001	000
07.	0531061564	LEFT SIDE REAR FRAME - 36D		000	000	001
08		WHEEL SET	2			
09	0521068250	HITCH BAR		001	001	001
10	0521041823	TRACTION BAR ASSY (PIN 3")	7	001	001	001
11	0521066126	DISTRIBUTOR OIL TUBE		002	002	002
12	0521066937	OIL DISTRIBUTOR DUCT		002	002	002
13	0531061120	HOSE SUPPORT		001	001	001
14	0503010523	1/4 X 2 SPLIT PIN		001	001	001
15		ARTICULATED DRAWBAR ASSY	9			
16	0503010002	GREASE FITTING 1800		027	027	027
17	0521063989	50,8 X 380 AXLE WITH LOCK		002	002	002
18	0501011301	1.1/2" UNC 6FPP 2.5/16" NUT		002	002	002
19	0503010010	1/4" X 2.1/2" SPLIT PIN		002	002	002
20	0511048088	DRAWBAR JACK	11	001	001	001
21	0561014251	COUPLING SHAFT		001	001	001
22	0503030012	HITCH PIN CLIP		005	005	005
23	0503019848	SAFETY CHAIN		001	001	001
24	0521068256	AXIS BLOCAGE 25,40 X 285		004	004	004
25	0541016676	1.1/2 X 175 AXLE		004	004	004
26	0581015612	JUNCTION SHAFT 50,90 X 452		004	004	004

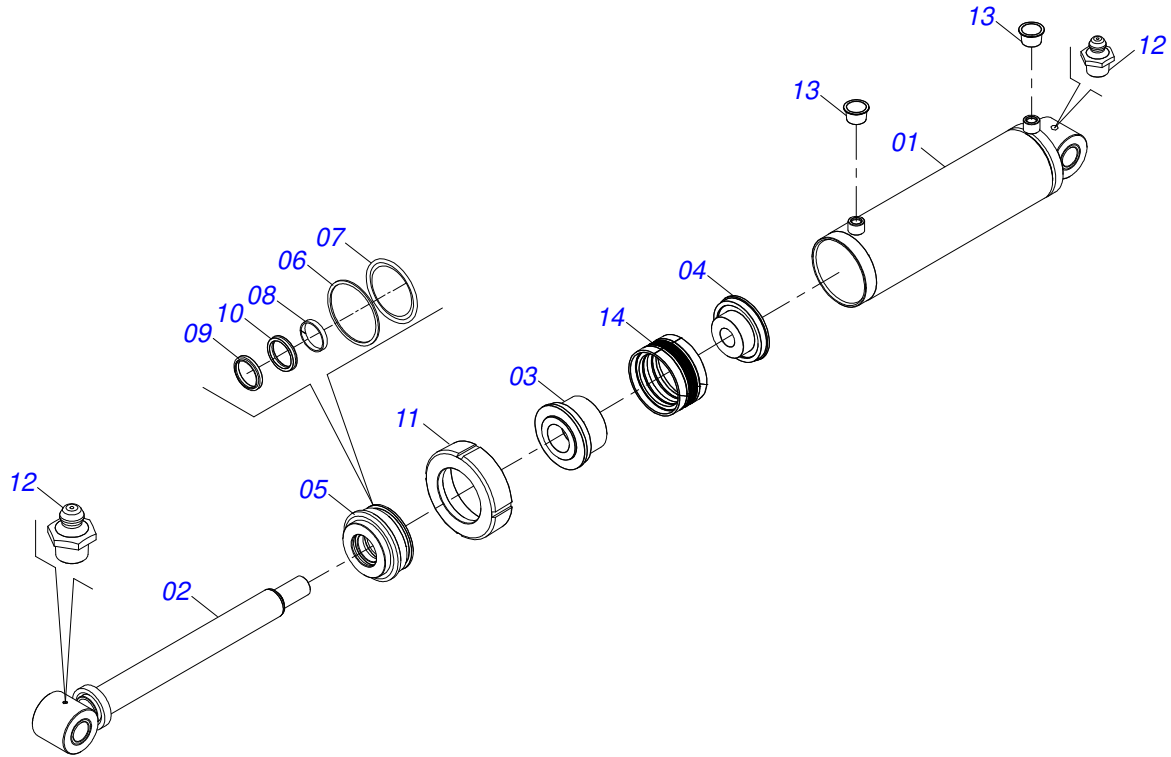
ASSY FRAME

Item	Code	Description	See page	032	034	036
27	0511019776	FLAT WASHER		008	008	008
28	0503011069	SPRING PIN 0.4" X 2.8"		008	008	008
29		ARTICULATOR ASSEMBLY	12			
30	0503010233	5/8 UNC X 2.1/2 CS G.5 ZN BOLT		004	004	004
31	0571010265	16,50 X 40 X 3,00 ZN FLAT WASHER		004	004	004
32	0581011153	FRAME BEATER		004	004	004
33	0571013284	17,50 X 90 X 4,75 FLAT WASHER		004	004	004
34	0503010027	SPRING WASHER 5/8"		068	072	076
35	0503010013	HEX NUT 5/8 UNC G.5 ZN		068	072	076
36	0511064771	FRONT SCRAPER SUPPORT		032	034	036
37	0521013678	FRONT CLEANER		016	017	018
38	0521013679	REAR CLEANER		016	017	018
39	0501010500	3/4" X 3" BOLT		064	068	072
40	0541010763	FLAT WASHER		128	136	144
41	0503010014	HEX NUT 3/4" ZN G.5 (HEAVY) UNC		064	068	072
42	0503012195	5/8" NUT		064	068	072
43	0511059196	VALVE ASSY	16	001	001	001
44	0503011173	7/16" X 2" BOLT		002	002	002
45	0503010180	SPRING WASHER 7/16"		016	016	016
46	0501012803	FLAT WASHER 12 X 30 X 3,00 ZN		004	004	004
47	0502010477	HOSE CLAMP		018	018	018
48	0503011135	BOLT 7/16" UNC X 1.1/2" C S G.5 ZN		012	012	012
49	0503011103	BOLT 7/16" UNC X 2.1/2" C S G.5 ZN		002	002	002
50	0521066443	SUPPORT FIXER LANTERN		002	002	002
51	0521066624	FIXER SUPPORT LANTERN		002	002	002
52	0501010098	BOLT 3/4" UNC X 2 C S G.5 ZN		002	002	002
53	0503010023	SPRING WASHER 3/4"		002	002	002
54	0503011082	C1/2" X 1.3/4" SCREW		004	004	004
55	0503010019	SPRING WASHER 1/2"		004	004	004
56	0503010060	HEX NUT 1/2 UNC G.5 ZN		004	004	004
57	0521040349	1-1/4" X 5.3/4" BOLT		006	006	006
57A	0501010954	1.1/4" X 5.3/4" BOLT		006	006	006
57B	0571010449	LOCK BOLT		006	006	006
57C	0571010448	32,50 X 75 X 16 SLEEVE		006	006	006
57D	0501010087	1.1/4" NUT		012	012	012
58	0531040021	FIXING ASSEMBLY	17	003	003	003
59	0541055379	ASSY PORT MANUAL INSTRUCCION		001	001	001
60	0551019515	LATCH SHIPPING		001	001	001
61	0561016693	TRANSPORT LOCK		002	002	002
62	0541016844	FIXER LOCK		003	003	003
63	0503030285	HITCH PIN CLIP		003	003	003
64	0531060844	260 REAR HITCH		001	001	001
65		FRAMES ARTICULATION HYDRAULIC CIRCUIT	20			
65.		WHEEL LIFTING HYDRAULIC CIRCUIT	21			
66	0501047895	25 ROD STOP		006	006	006
67	0501047887	40 ROD STOP		003	003	003
68	0501047888	45 ROD STOP		003	003	003
69	0501047885	30 ROD STOP		003	003	003
70	0501047886	35 ROD STOP		003	003	003
71	0501011432	1-1/2" AND 1-5/8 GANG BOLT WRENCH		001	001	001
72	0501316941	KEY 2.1/8 AND 2.1/2		002	002	002
73	0503016137	1-1/4" WRENCH CABLE CYLINDER		001	001	001
74	0521062858	1.1/4" WRENCH NUT		001	001	001
75		ASSY DISCS SECTION - 32/34/36D	23			
76	0503034078	LIFTING POINTS DECAL		004	004	004
77	0503031738	WARNING DECAL		003	003	003
78	0503031739	DANGER DECAL		001	001	001
79	0503034499	HOSE IDENTIFICATION DECAL		001	001	001
80	0503031428	ATTENTION READ MANUAL DECAL		001	001	001
81	0503031827	DAILY LUBRICATION AND RETIGHTENING DECAL		001	001	001
82	0503033038	DANGER DECAL		001	001	001

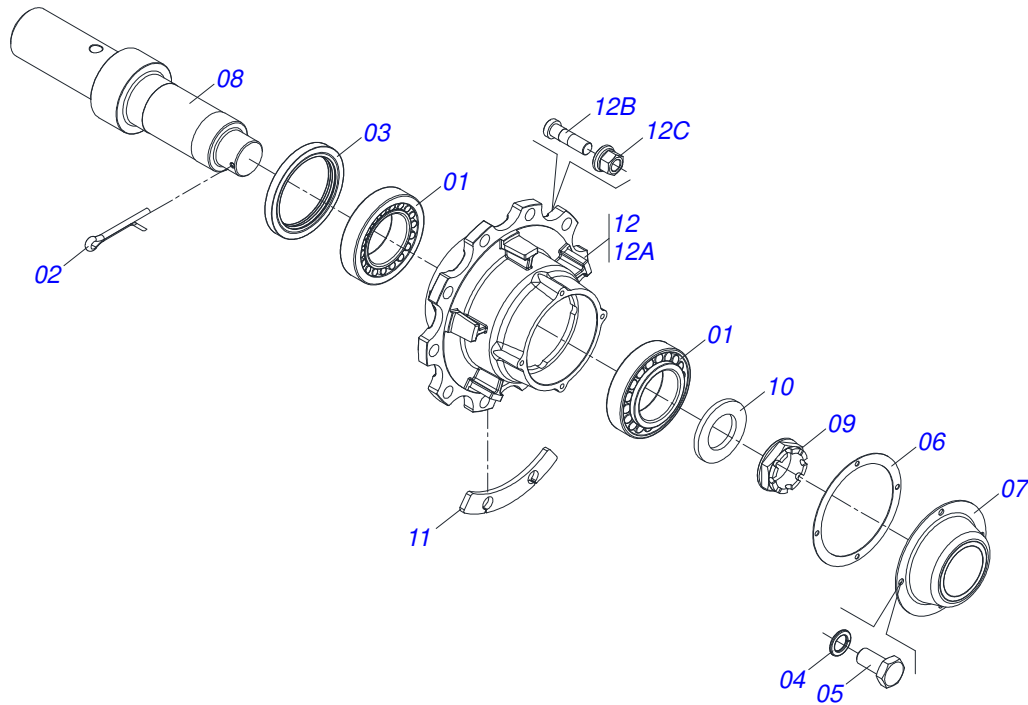
Item	Code	Description	See page	032	034	036
83	0503034058	ADHESIVE LABEL		001	001	001
84	0503033237	CIVEMASA LOGO DECAL		001	001	001
85	0503034004	ALUMINUM IDENTIFICATION DECAL		001	001	001
86	0503010001	RIVET 3,2 X 5,5		004	004	004
87	0501053835	FEMALE QUICK COUPLER	19	002	002	002
88	0503010217	501040 CLAMPING RING (FOR AXLE)		004	004	004
89	0571015342	3/4" NIPLE		002	002	002
90	0501010064	BOLT 1" UNC X 9 CS G.5 ZN		008	008	008
91	0503010012	SPRING WASHER 1"		008	008	008
92	0501010059	NUT 1.5/8		008	008	008
93	0531060843	FIXER CLAW		002	002	002



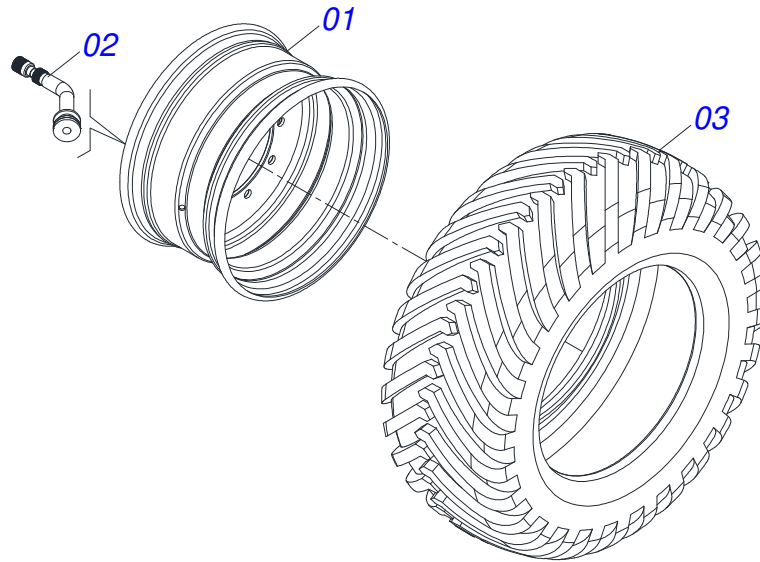
Item	Code	Description	See page	QT
01	0531060840	WHEEL		01
02	0503010002	GREASE FITTING 1800		02
03	0521058003	2" X 5" X 25" X 13" HIDRAULIC CYLINDER	3	02
04	0531060841	CYLINDER AXLE		02
05	0501012916	FLAT WASHER 40 X 66 X 4,75 ZN		04
06	0503010534	3/8" X 2.1/2" SPLIT PIN		04
07	0503011198	BOLT 3/4" UNC X 6" CS G.5		04
08	0503010023	SPRING WASHER 3/4"		04
09	0503010014	HEX NUT 3/4" ZN G.5 (HEAVY) UNC		04
10	0531051144	WHEEL WITHOUT TIRE	4	04
11	0503063281	RIGHT WHEEL	5	02
12	0503063282	LEFT WHEEL	6	02
13	0531060842	CYLINDER AXLE		02
14	0531018062	COUPLING SHAFT		02
15	0503011250	1" X 2" BOLT		04
16	0503010012	SPRING WASHER 1"		04
17	0521011565	FLAT WASHER		04



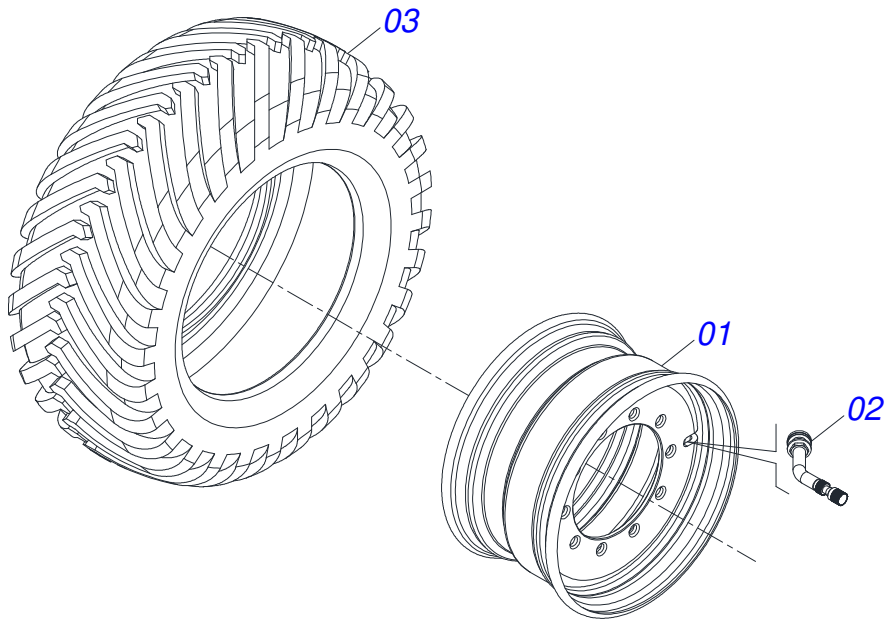
Item	Code	Description	See page	QT
01	0531060846	CYLINDER CASE		01
02	0531060845	TURNBUCKLE		01
03	0561016583	PISTON BODY		01
04	0501213775	PISTON ASSEMBLY		01
05	0502012646	RING SUPPORT 2.1/8" X 5"		01
06	0503011062	8-425 BACK-UP RING		01
07	0503010351	2-425 N 3006-9B O'RING		01
08	0503015641	WEAR RING		01
09	0503015642	U-CUP SEALING RUUB000970		01
10	0503015715	SCRAPER SEALING		01
11	0502010382	5" END CAP		01
12	0503010002	GREASE FITTING 1800		02
13	0503030384	PLUG N-001		02
14	0503015643	SEAL PCK 001270-N8CO		01



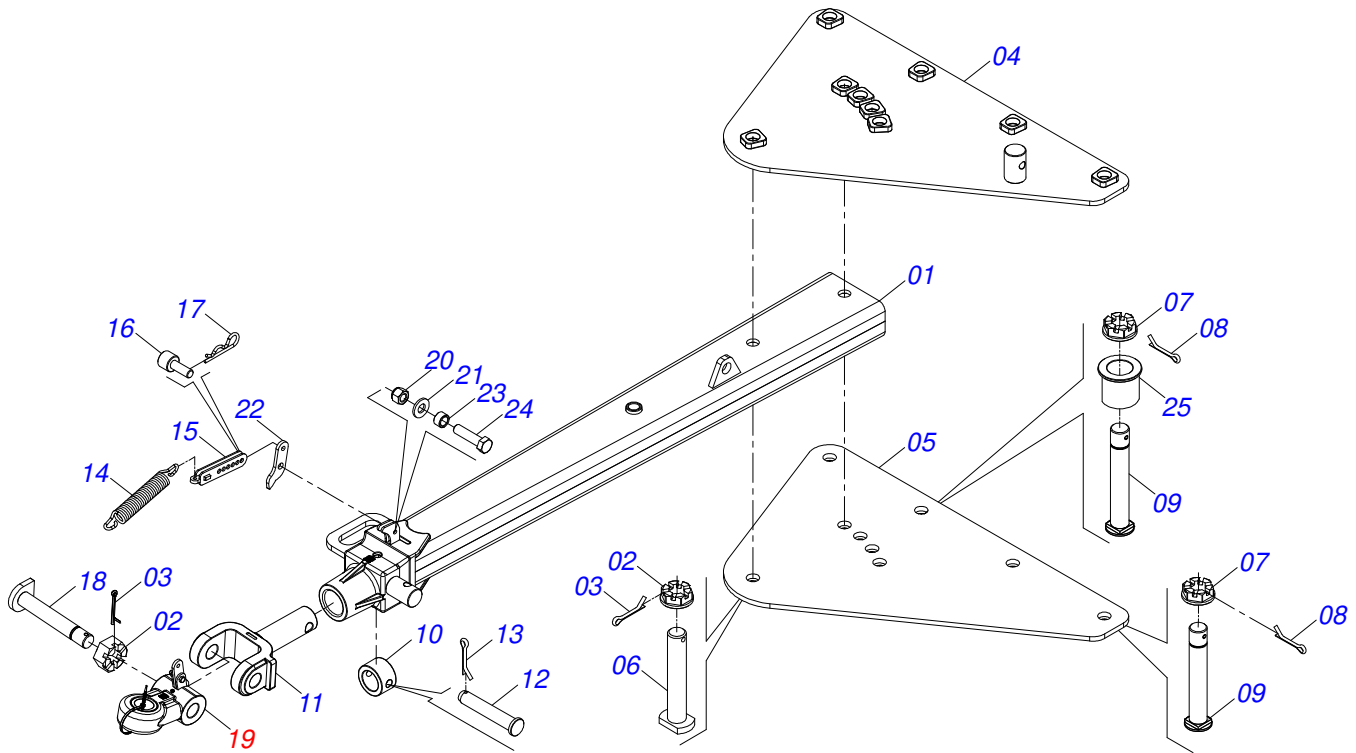
Item	Code	Description	See page	QT
01	0503010118	32218 BEARING		02
02	0503012213	1/4" X 4" SPLIT PIN		01
03	0503013541	REAR RETAINER 0310-BG AR22 1G25356		01
04	0503013542	M10 SPRING WASHER		04
05	0503013546	BOLT SX MA5,8 M10X1,5X20ZA DI		04
06	0503013548	JOINT CORK CR4F		01
07	0503013549	HUB COVER		01
08	0591018279	AXLE TIP R 2. 1/2 UN (FURO 50)		01
09	0502040080	FLANGE NUT R.2.1/2" UN		01
10	0531019986	64 X 110 X 9.5 FLAT WASHER		01
11	0561015521	FLANGE WHEEL HUB		05
12	0501110761	CARRYING-WHEEL HUB WITH BOLT 25-45FT		01
12A	0502012462	WHEEL HUB		01
12B	0503014050	BOLT M22 X 1,5 X 77/87 188RT		10
12C	0503014048	HEX NUT M22 X 1,5" CH 32 X 33,5		10



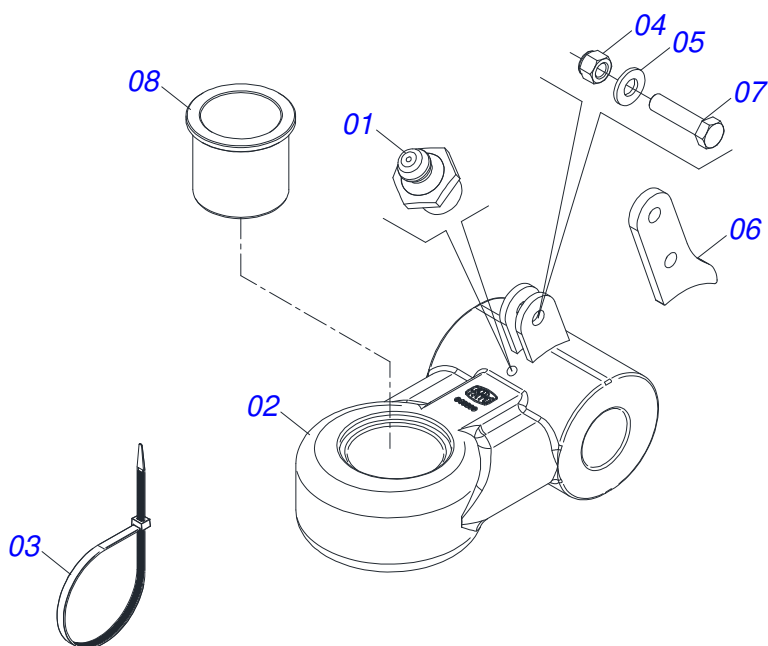
Item	Code	Description	See page	QT
01	0503033536	RING		01
02	0503016098	VALVE		01
03	0503019969	TIRE 400/55-22,5 152A 8/149B		01



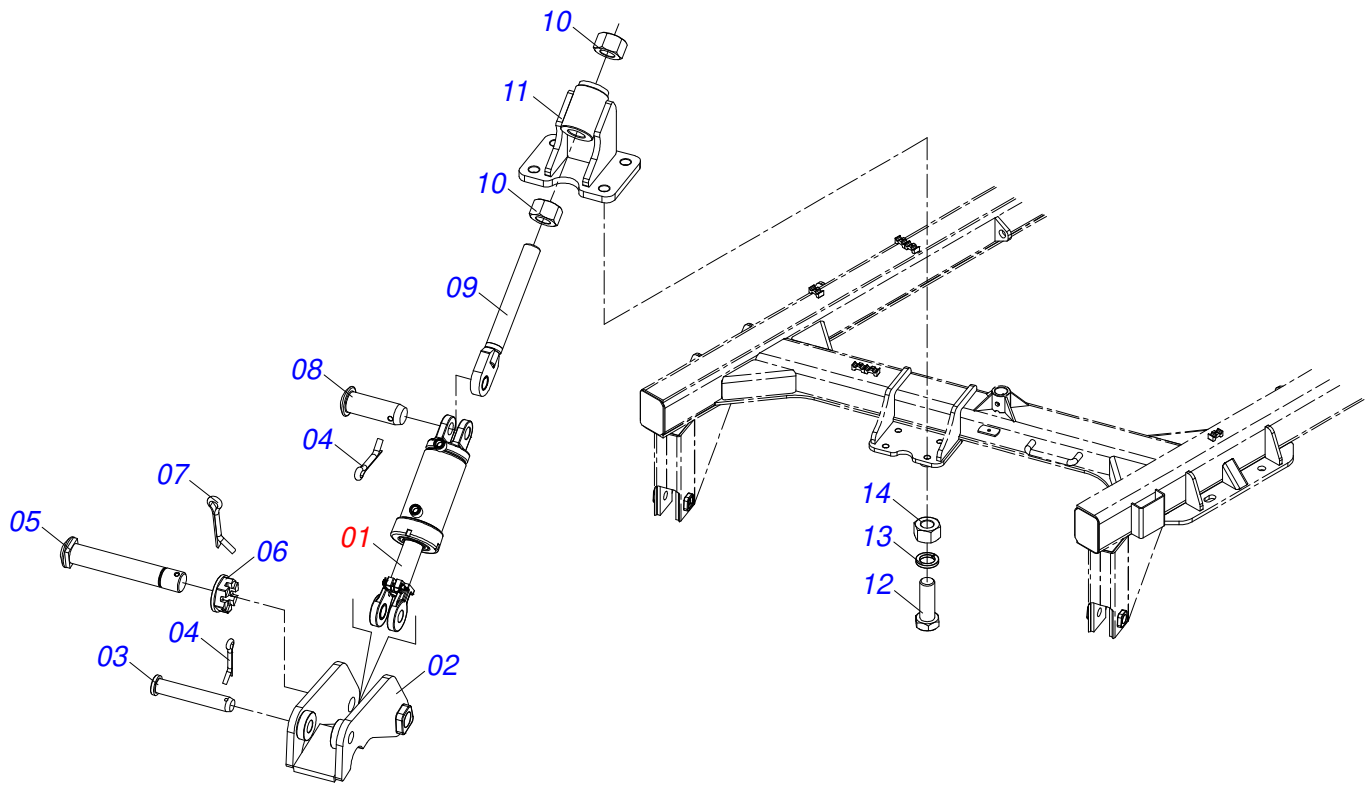
Item	Code	Description	See page	QT
01	0503033536	RING		01
02	0503016098	VALVE		01
03	0503019969	TIRE 400/55-22,5 152A 8/149B		01



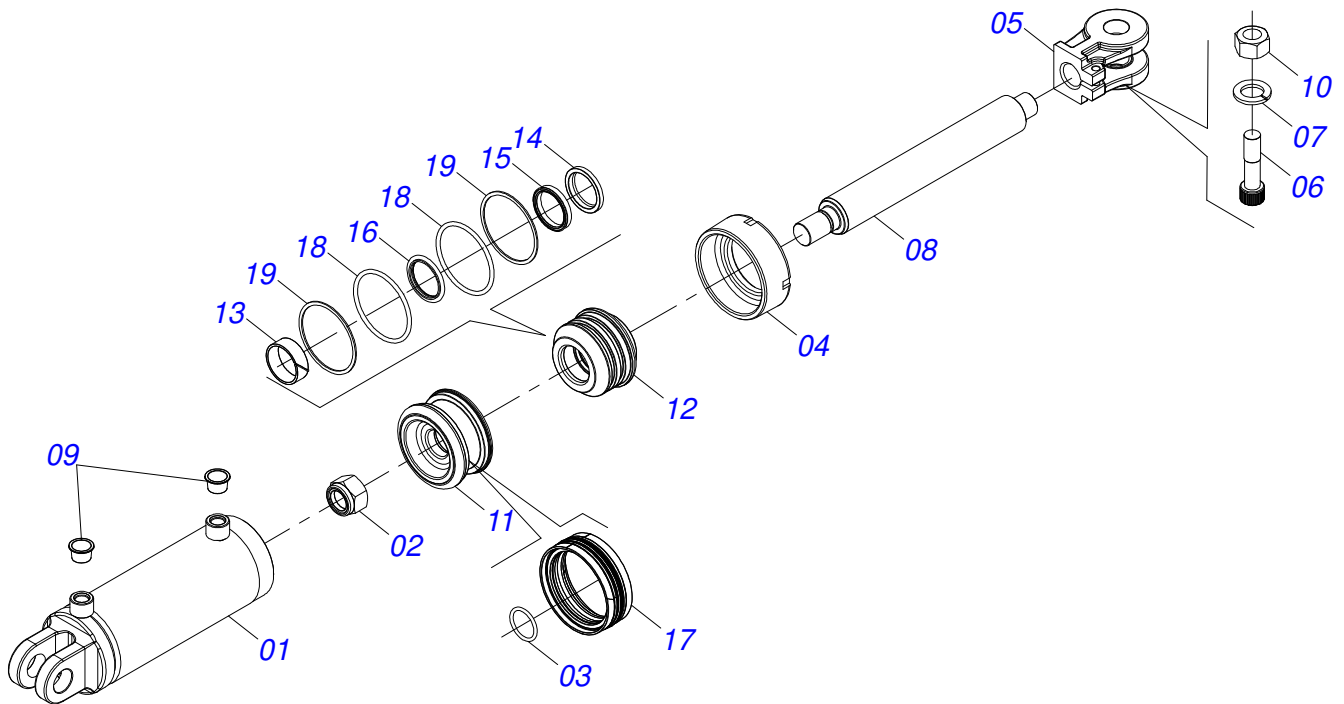
Item	Code	Description	See page	QT
01	0521068249	TRACTION BAR (AXLE 2)		01
02	0502040558	2" CASTLE NUT		02
03	0503010074	3/8" X 4" SPLIT PIN		02
04	0521068246	UPPER PLATE (AXLE 2)		01
05	0521068247	LOWER PLATE (AXLE 2)		01
06	0521068248	JUNCTION AXLE WITH LOCK		01
07	0501811301	CASTLE NUT		05
08	0503010010	1/4" X 2.1/2" SPLIT PIN		05
09	0521811880	37,50 X 230 X PQ R.1./2 JUNCTION AXLE		05
10	0502040263	HITCH LOCK RING		01
11	1902040897	TRACTOR HITCH		01
12	0561017306	COUPLING SHAFT		01
13	0503010523	1/4 X 2 SPLIT PIN		01
14	0503031741	1.8" X 11.4" 0.3" TRACTION SPRING		01
15	0531061607	SPRING REGULATOR		01
16	0591014558	SPRING REGULATOR FIXER AXLE		01
17	0503030285	HITCH PIN CLIP		01
18	0531061122	AXIS ARTICULATOR		01
19	0531040171	HITCH ASSY	8	01
20	0503010589	SELF ADJUSTING NUT 1/2" UNC		01
21	0501010937	FLAT WASHER 13.50 X 28 X 3.00		01
22	0591014554	REAR SUPPORT FIXING SPRING		01
23	0591014552	SLEEVE		01
24	0503010740	BOLT 1/2 UNC X 2 CS G.5 ZN		01
25	0591013086	SLEEVE 52,8 X 78 X 76 (PIN 2")		01



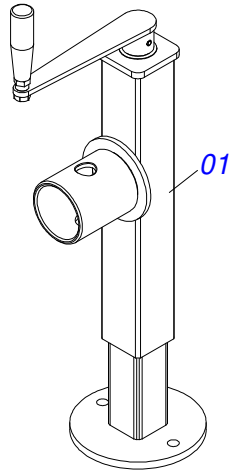
Item	Code	Description	See page	QT
01	0503010002	GREASE FITTING 1800		01
02	0531061121	HITCH		01
03	0503018829	NYLON CLAMP 7,8 X 1,8 X 390 MM		01
04	0503010589	SELF ADJUSTING NUT 1/2" UNC		01
05	0501010937	FLAT WASHER 13.50 X 28 X 3.00		01
06	0591014555	FRONT SUPPORT FIXING SPRING		01
07	0503010740	BOLT 1/2 UNC X 2 CS G.5 ZN		01
08	0591013448	SLEEVE 65,50 X 78 X 76 (PIN 2.1/2")		01



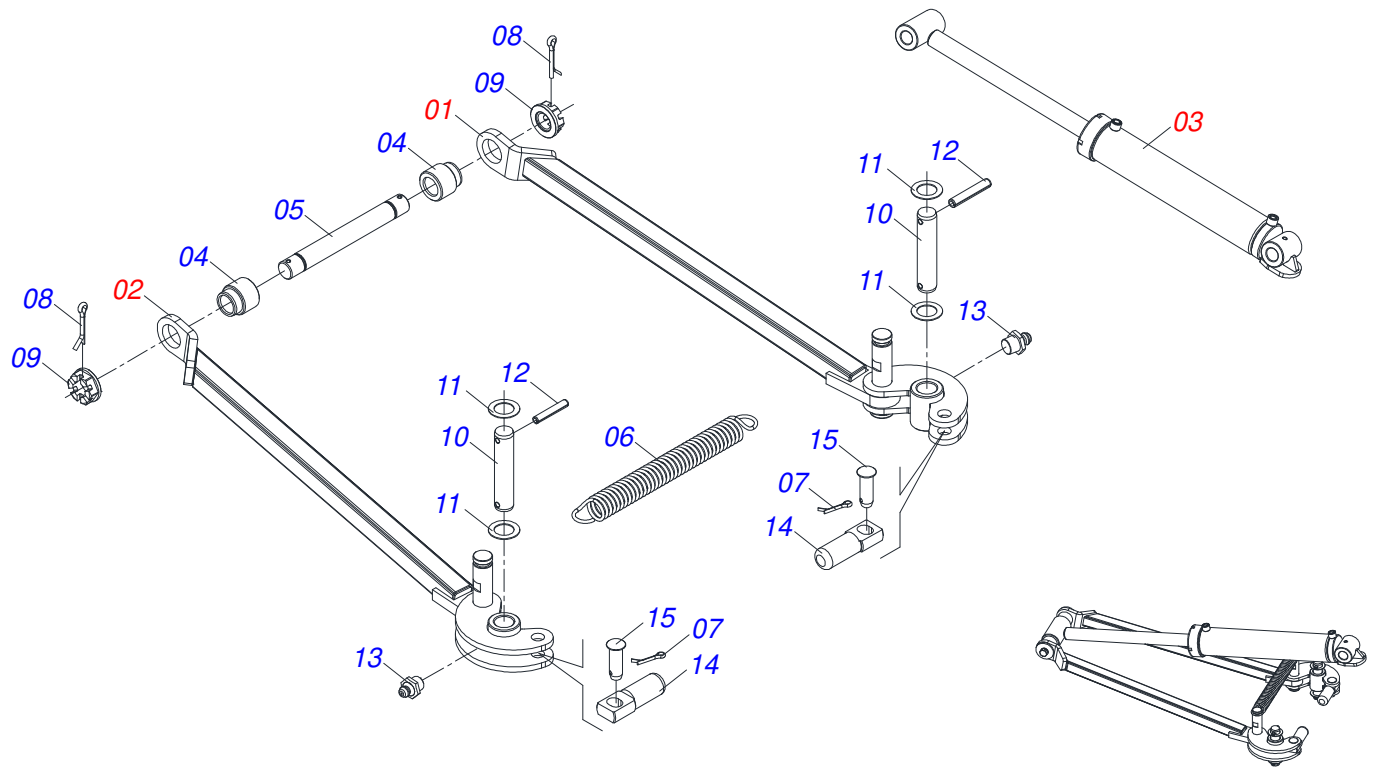
Item	Code	Description	See page	QT
01	0511058521	2" X 4" X 20" X 6" HYDRAULIC CYLINDER	10	01
02	0511064656	DRAWBAR PIVOT		01
03	0531019171	1.25" X 7" COUPLING SHAFT		01
04	0503010523	1/4 X 2 SPLIT PIN		01
05	0521812053	1.5" X 8.6" AXLE		01
06	0501011301	1.1/2" UNC 6FPP 2.5/16" NUT		01
07	0503010010	1/4" X 2.1/2" SPLIT PIN		01
08	0521012538	1.2" X 3.5" COUPLING SHAFT		01
09	0511064433	REGULATOR SPINDLE 1-3/4		01
10	0501010333	1.3/4" NUT		02
11	0521066580	CYLINDER FIXER		01
12	0501010276	BOLT		04
13	0503010012	SPRING WASHER 1"		04
14	0501010059	NUT 1.5/8		04



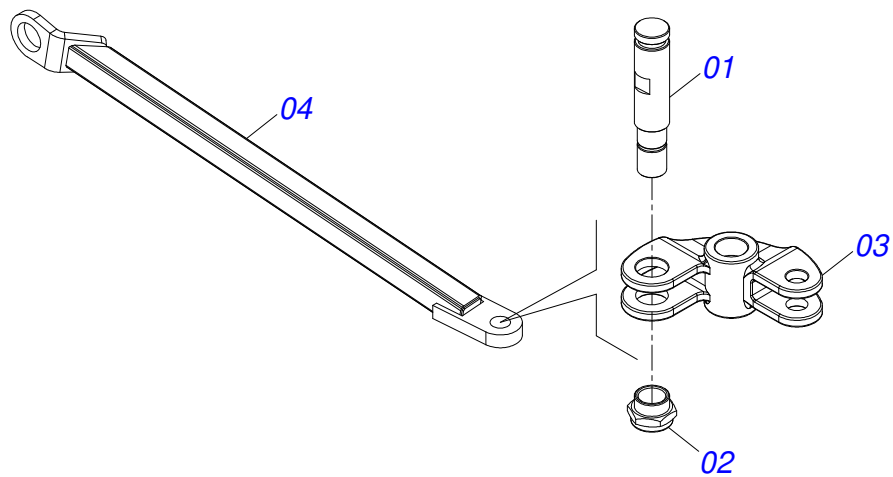
Item	Code	Description	See page	QT
01	0521066698	CYLINDER CASE ASSY		01
02	0503010817	1.1/4" SELF LOCKING NUT		01
03	0503018029	O'RING 2-217 N 3006 90B		01
04	0502012822	END CAP 4"		01
05	0502040747	32.54 CLEVIS CLAMP		01
06	0503011094	BOLT 3/8" UNC X 2" C C S I 12.9		01
07	0503011443	SPRING WASHER 3/8"		01
08	0581011007	HYDRAULIC CYLINDER TURNBUCKLE		01
09	0503030384	PLUG N-001		02
10	0503010026	NUT 3/8"		01
11	0502012820	2" X 4" PISTON		01
12	0502012821	2" X 4" RING SUPPORT		01
13	0503018025	RING GUIDE W2-2250-750		01
14	0503010039	D-2000 SCRAPER RING		01
15	0503018026	GASKET 1870-2000-375 B POLYMAX		01
16	0503018024	RING BS OD050805200171D-BR		01
17	0503015633	SELEMASTER SEALING		01
18	0503010338	2-342 N 3006-9B O'RING		02
19	0503011061	8-342 BACK-UP RING		02
20	0511032211R	HYDRAULIC CYLINDER REPAIR KIT		01



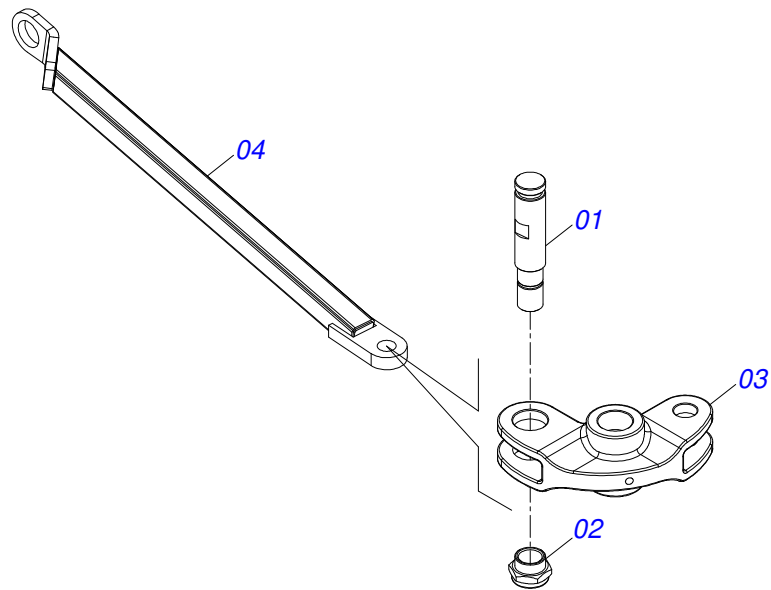
Item	Code	Description	See page	QT
01	0503062227	DRAWBAR JACK		01



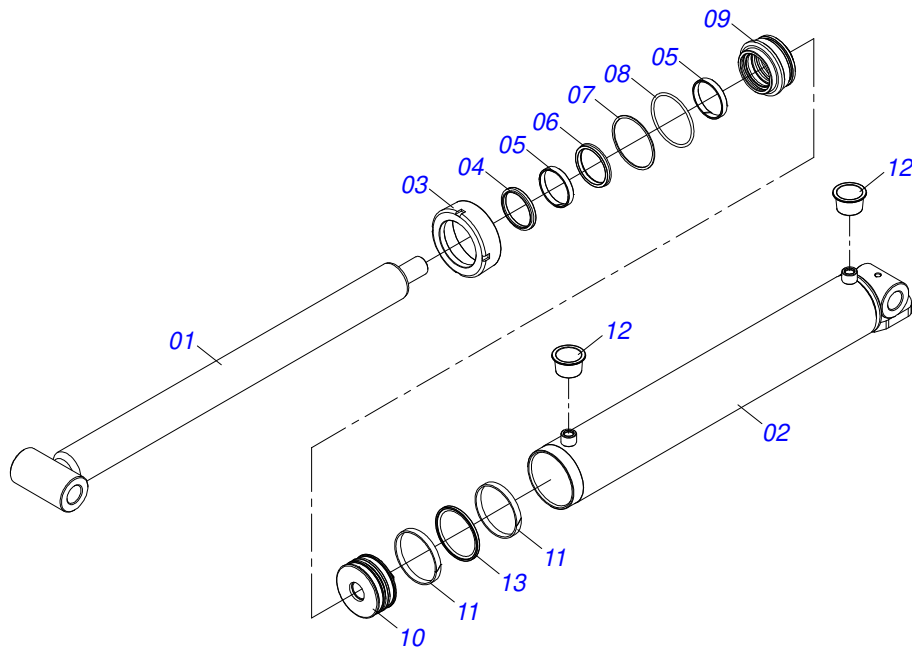
Item	Code	Description	See page	QT
01	0511050181	COMPLETE FRONT LEFT REAR RIGHT ARTICULATION	13	04
02	0511050182	ARTICULACION FRONT RIGHT REAR LEFT COMPLETE	14	04
03	0511059197	3" X 4" X 42" X 28" HYDRAULIC CYLINDER	15	04
04	0541016614	38,20 X 62 X 61 SLEEVE		08
05	0501210091	ARTICULATOR PIVOT AXIS		04
06	0503034605	SPRING TRACTION 50,70 X 411 X 6,35		04
07	0503010571	SPLIT PIN 1/4" X 1.1/2"		08
08	0503010010	1/4" X 2.1/2" SPLIT PIN		08
09	0501011301	1.1/2" UNC 6FPP 2.5/16" NUT		08
10	0541016677	37,20 X 177 COUPLING SHAFT		08
11	0511019685	FLAT WASHER		16
12	0503010361	SPRING PIN		16
13	0503010002	GREASE FITTING 1800		08
14	0561013283	LOCK AXLE FRAME		08
15	0521010572	0.9" X 2.9" COUPLING SHAFT		08



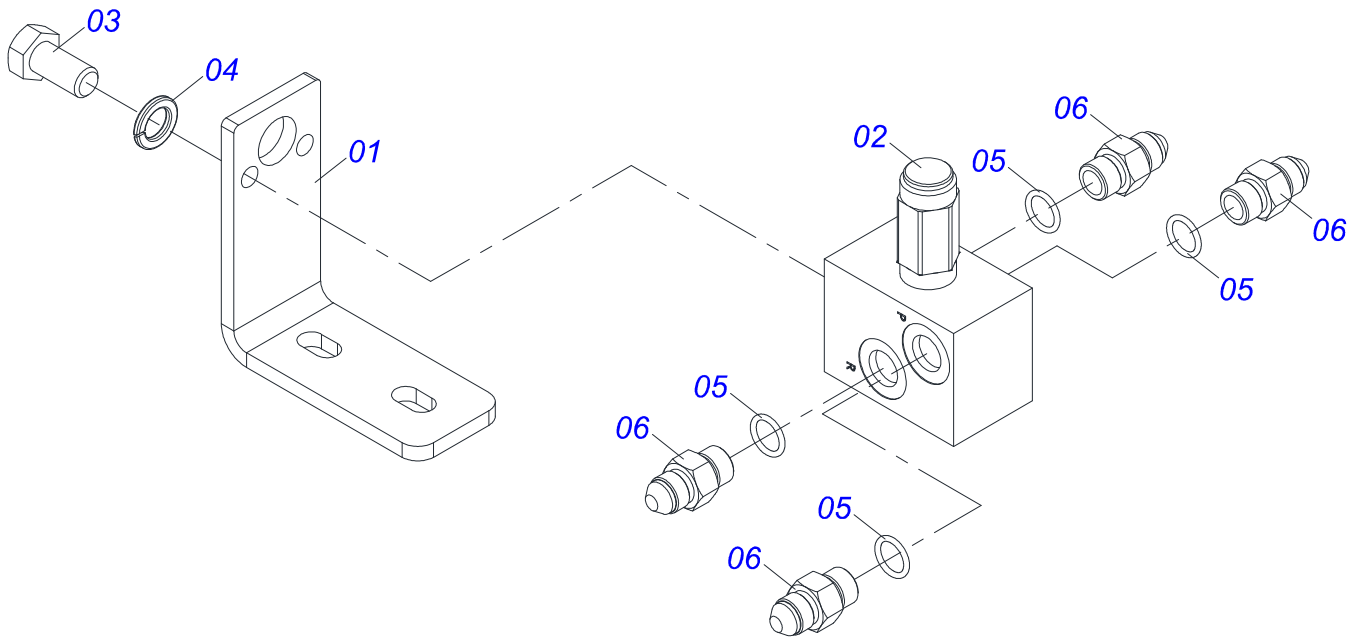
Item	Code	Description	See page	QT
01	0561014074	LOCK AXLE		01
02	0541019258	1.1/4 ADJUSTING NUT		01
03	0502013057	LOCK PIVOT		01
04	0521060770	FRONT ARTICULACION ARM		01



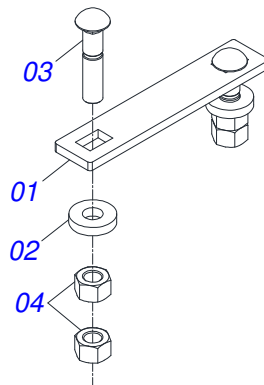
Item	Code	Description	See page	QT
01	0561014074	LOCK AXLE		01
02	0541019258	1.1/4 ADJUSTING NUT		01
03	0502013057	LOCK PIVOT		01
04	0521060771	ARTICULATION ARM ASSY		01



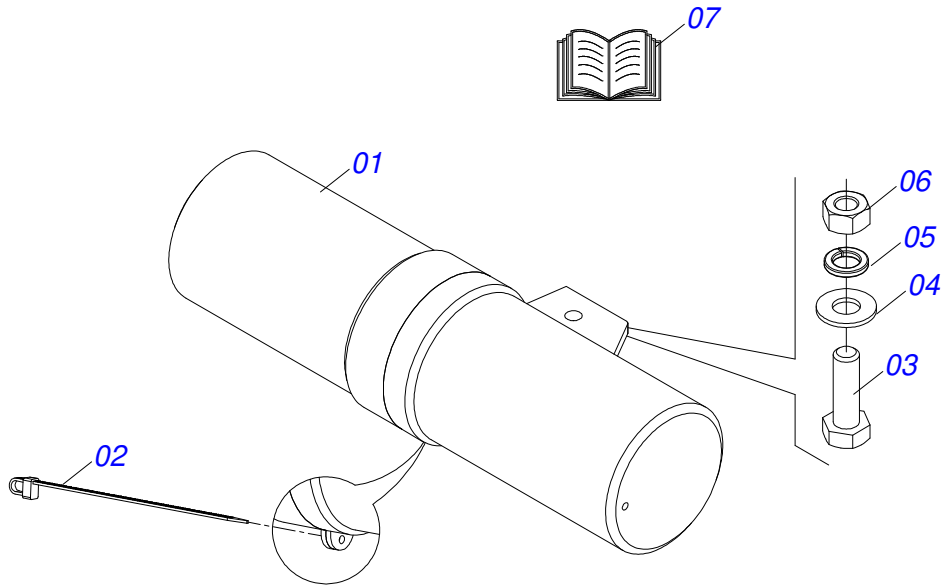
Item	Code	Description	See page	QT
01	0521060777	76,20 X 1020,50 TURNBUCKLE		01
02	0521067412	CYLINDER BARREL 114.30 X 897.50 WITH BEATER		01
03	0502012629	MOBILE COVER 114,30 (E. 76,20)		01
04	0503012642	D-3000 SCRAPER RING		01
05	0503013553	SEAL RING		02
06	0503013552	GASKET		01
07	0503011893	BACK-UP RING, 8-346		01
08	0503011892	O' RING, 2-346 N 3006-9B		01
09	0502012628	76,30 X 114,20 RING SUPPORT		01
10	0502012477	114,30 PISTON		01
11	0503011891	W2-4500-500 RING G.E		02
12	0503030384	PLUG N-001		02
13	0503014692	OE 114,3 GASKET		01



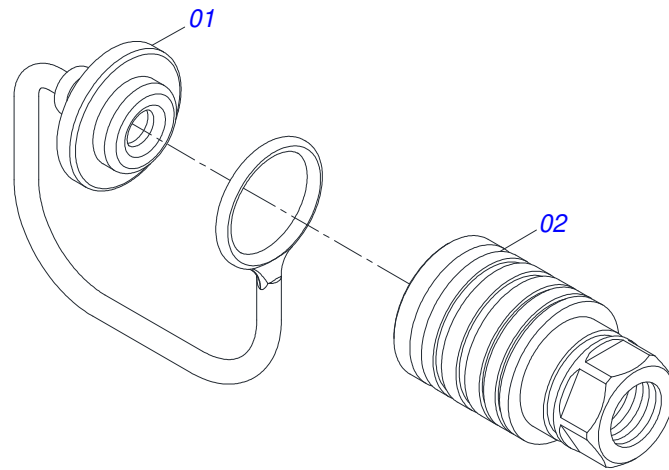
Item	Code	Description	See page	QT
01	0581011745	VALVE SUPPORT		01
02	0503010919	DISCHARGE VALVE		01
03	0503011334	3/8 UNC X 3/4 CS G.5 ZN BOLT		02
04	0503010025	SPRING WASHER 3/8"		02
05	0503010190	2-114 N 3006-9B O'RING		04
06	0501010617	NIPLE 3/4" NF X 3/4" NF HEX. 7/8" X 44		04



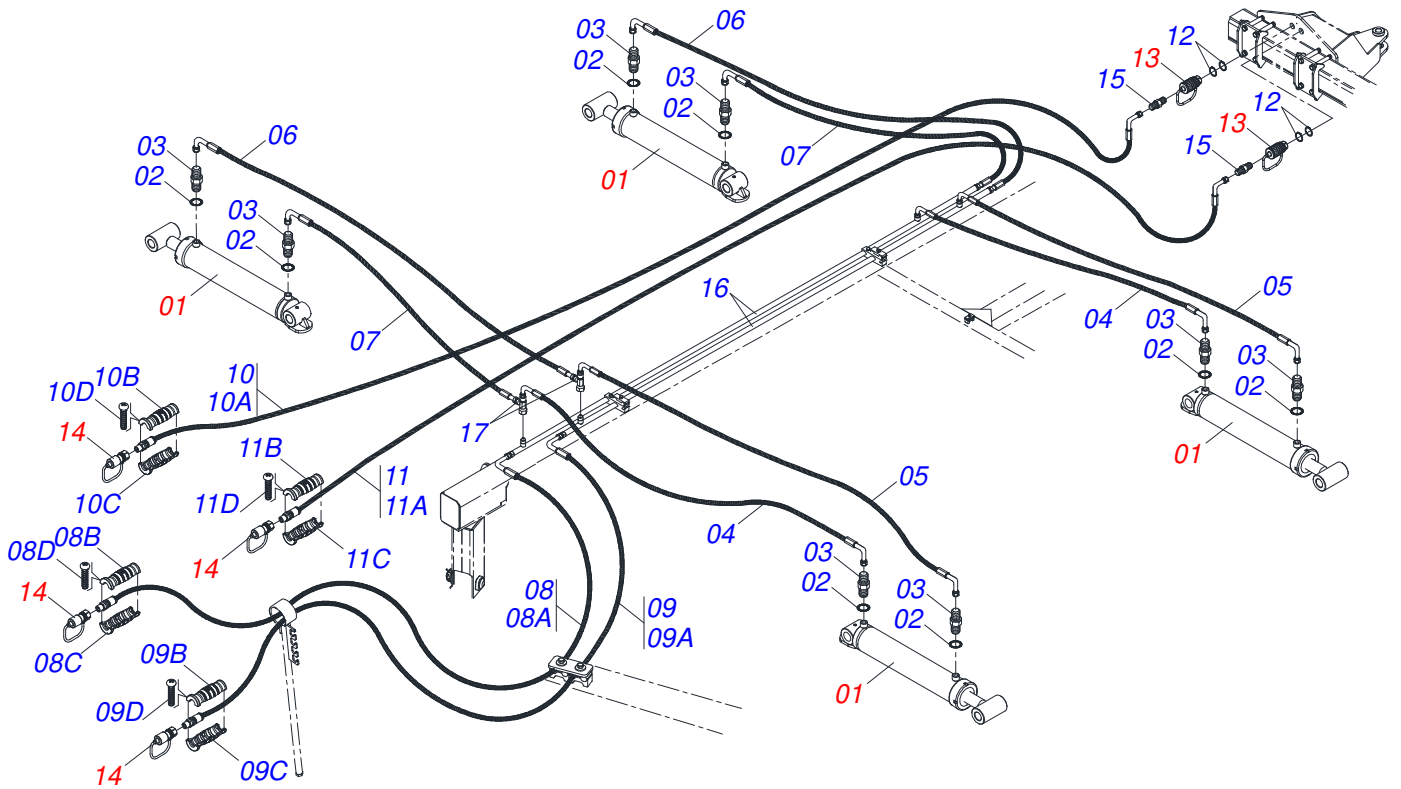
Item	Code	Description	See page	QT
01	0591013569	SQUARE WASHER		01
02	0571010448	32,50 X 75 X 16 SLEEVE		02
03	0501010954	1.1/4" X 5.3/4" BOLT		02
04	0501010087	1.1/4" NUT		04



Item	Code	Description	See page	QT
01	0503060100	SUPPORT INSTRUCTION MANUAL		01
02	0503010267	NYLON CLAMP 3.60 X 1.3 X 155 MM		01
03	0503010363	BOLT 5/16 UNC X 1 C S G.2 ZN		01
04	0501010694	FLAT WASHER 8.50 X 18 X 1.50 ZN		01
05	0503010179	LOCK WASHER 5/16 ZN 1K01528		01
06	0503010337	NUT 5/16 UNC G.5 ZN		01
07	0511033060	BAG WITH INSTRUCTION MANUAL		01

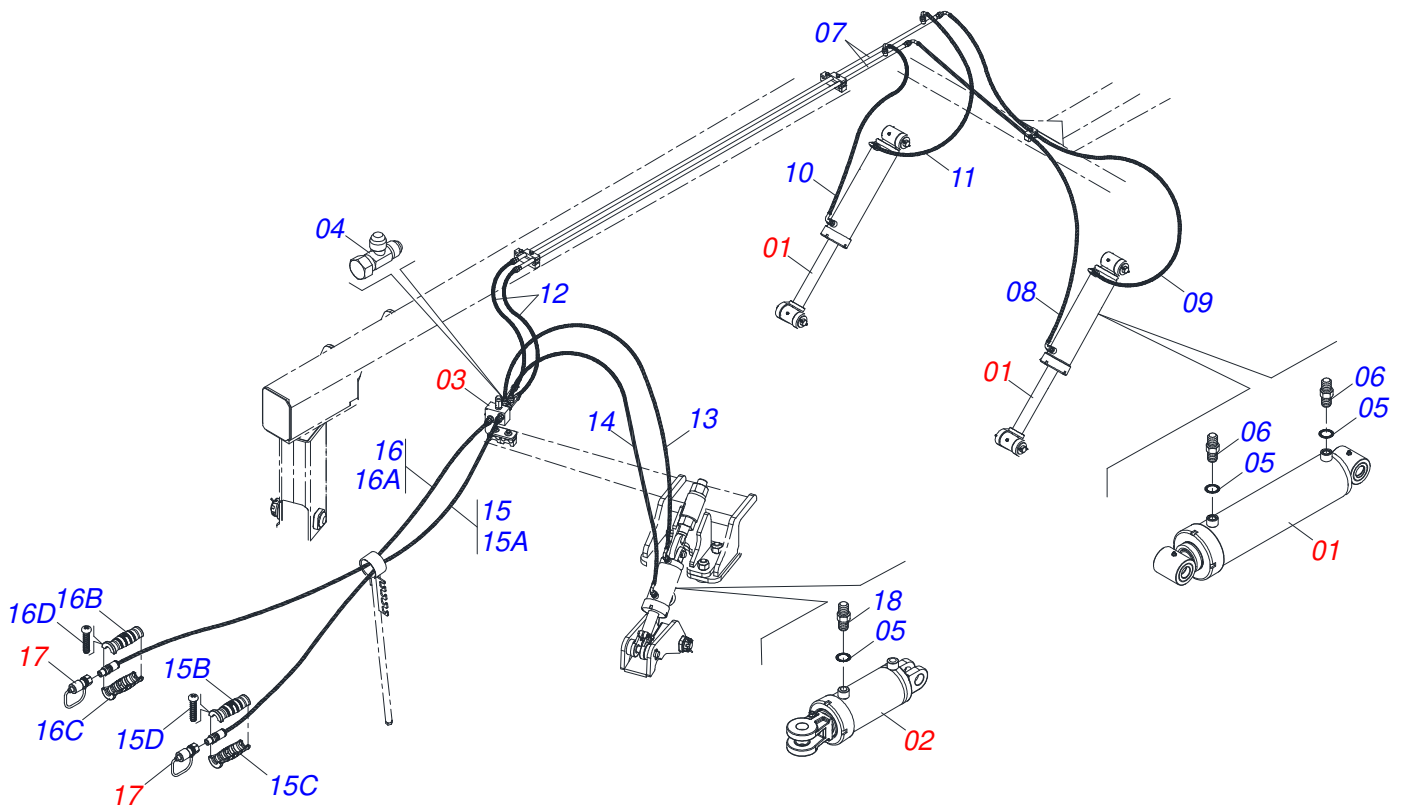


Item	Code	Description	See page	QT
01	0503011883	PLASTIC COVER		01
02	0503011628	FEMALE QUICK COUPLER		01

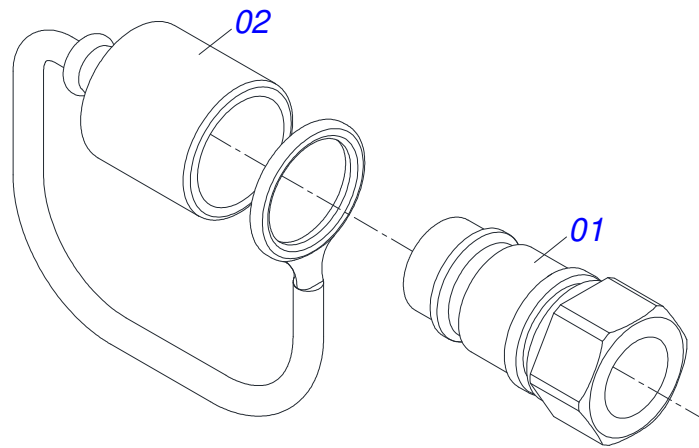


Item	Code	Description	See page	QT
01	0511059197	3" X 4" X 42" X 28" HYDRAULIC CYLINDER	15	04
02	0503010190	2-114 N 3006-9B O'RING		08
03	0501010617	NIPLE 3/4" NF X 3/4" NF HEX. 7/8" X 44		08
04	0501080578	3/8" X 157" TC-TC HOSE		02
05	0501080909	3/8" X 181.10" TC-TC HOSE		02
06	0501080401	3/8" X 106.30" TR-TC HOSE		02
07	0501080450	3/8" X 87" TR-TC HOSE		02
08	0521052945	3/8" X 240" TC-TM BROWN/RED HOSE		01
08A	0501080850	3/8" X 240" TC-TM HOSE		01
08B	0503034490	HYDRAULIC HOSE GRIP (BROWN)		01
08C	0503034495	HYDRAULIC HOSE GRIP (RED)		01
08D	0503018952	PLASTIC BOLT PH 2.5 X 10 ZB		06
09	0521052944	3/8" X 240" TC-TM BROWN/BLUE HOSE		01
09A	0501080850	3/8" X 240" TC-TM HOSE		01
09B	0503034490	HYDRAULIC HOSE GRIP (BROWN)		01
09C	0503034494	HYDRAULIC HOSE GRIP (BLUE)		01
09D	0503018952	PLASTIC BOLT PH 2.5 X 10 ZB		06
10	0521052430	3/8" X 472" TC-TM GRAY/RED HOSE		01
10A	0501082031	3/8" X 472" TC-TM HOSE		01
10B	0503034489	HYDRAULIC HOSE GAUNTLET (GRAY)		01
10C	0503034495	HYDRAULIC HOSE GRIP (RED)		01
10D	0503018952	PLASTIC BOLT PH 2.5 X 10 ZB		06
11	0521052457	3/8" X 472" TC-TM GRAY/BLUE HOSE		01
11A	0501082031	3/8" X 472" TC-TM HOSE		01
11B	0503034489	HYDRAULIC HOSE GAUNTLET (GRAY)		01
11C	0503034494	HYDRAULIC HOSE GRIP (BLUE)		01
11D	0503018952	PLASTIC BOLT PH 2.5 X 10 ZB		06
12	0503010217	501040 CLAMPING RING (FOR AXLE)		04
13	0501053835	FEMALE QUICK COUPLER	19	02
14	0501053834	MALE QUICK COUPLER	22	04
15	0571015342	3/4" NIPLE		02
16	0521066126	DISTRIBUTOR OIL TUBE		02

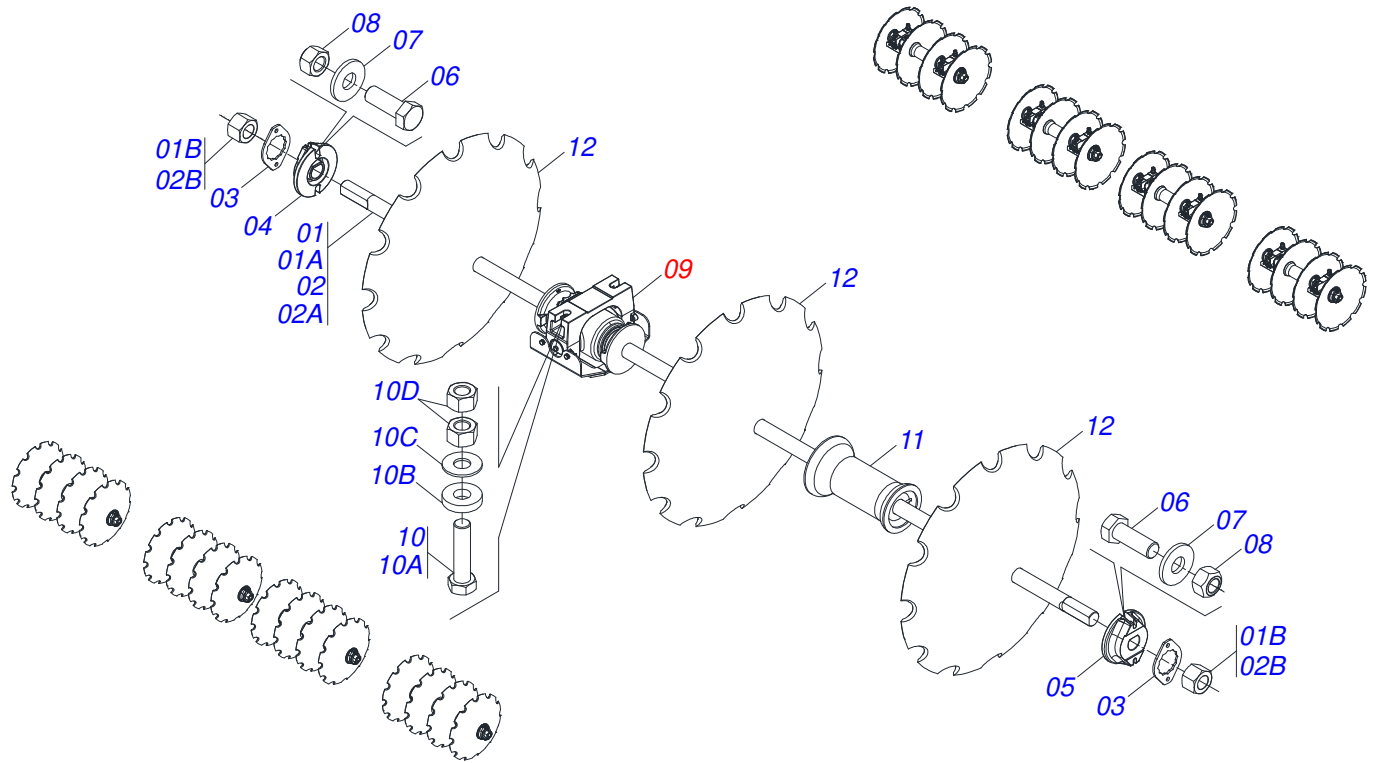
Item	Code	Description	See page	QT
17	0503011968	NUT 3/4" 8R6X-S T ADAPTER WITH SWIVEL		02



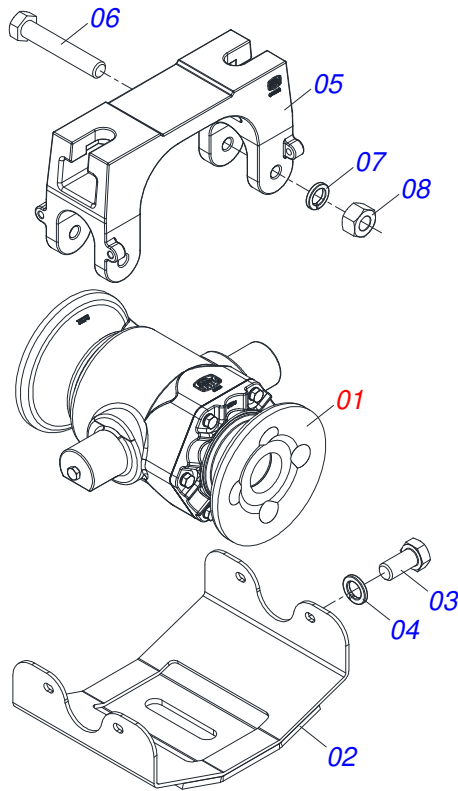
Item	Code	Description	See page	QT
01	0521058003	2" X 5" X 25" X 13" HIDRAULIC CYLINDER	3	02
02	0511058521	2" X 4" X 20" X 6" HYDRAULIC CYLINDER	10	01
03	0511059196	VALVE ASSY	16	01
04	0503011968	NUT 3/4" 8R6X-S T ADAPTER WITH SWIVEL		02
05	0503010190	2-114 N 3006-9B O'RING		06
06	0501010617	NIPLE 3/4" NF X 3/4" NF HEX. 7/8" X 44		04
07	0521066937	OIL DISTRIBUTOR DUCT		02
08	0501080432	3/8" X 102.40" TC-TC HOSE		01
09	0501080393	3/8" X 86" TC-TC HOSE		01
10	0501080065	3/8" X 47" TC-TC HOSE		01
11	0501080931	3/8" X 39" TC-TC HOSE		01
12	0501080106	3/8" X 31" TR-TR HOSE		02
13	0501080302	3/8" X 55" TR-TC HOSE		01
14	0501080436	3/8" X 62" TR-TC HOSE		01
15	0531055152	3/8" X 236" TR-TM BLACK/BLUE HOSE		01
15A	0501082444	3/8" X 236" TR-TM HOSE		01
15B	0503034492	HYDRAULIC HOSE GRIP (BLACK)		01
15C	0503034494	HYDRAULIC HOSE GRIP (BLUE)		01
15D	0503018952	PLASTIC BOLT PH 2.5 X 10 ZB		06
16	0531055151	3/8" X 236" TR-TM BLACK/RED HOSE		01
16A	0501082444	3/8" X 236" TR-TM HOSE		01
16B	0503034492	HYDRAULIC HOSE GRIP (BLACK)		01
16C	0503034495	HYDRAULIC HOSE GRIP (RED)		01
16D	0503018952	PLASTIC BOLT PH 2.5 X 10 ZB		06
17	0501053834	MALE QUICK COUPLER	22	02
18	0561014252	3/4" UNF X 1" NIPPLE WITH REDUCTION		02



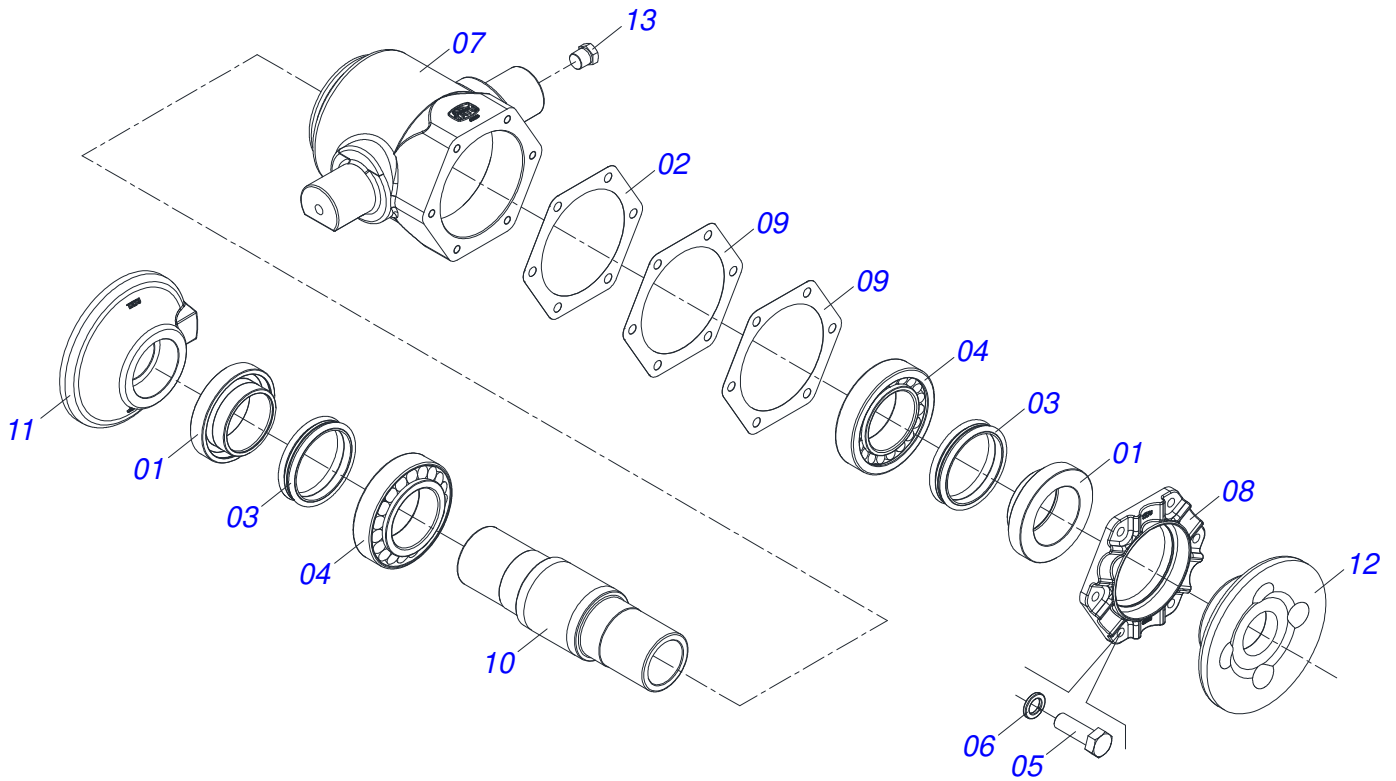
Item	Code	Description	See page	QT
01	0503011627	MALE QUICK COUPLER AGR 1/2 NPT		01
02	0503011882	MALE QUICK COUPLER CAP		01



Item	Code	Description	See page	32	34	36
				32	34	36
01	0501040693	2.1/2" X 63" AXLE WITH NUTS		08	06	04
01A	0501010358	2.1/2" X 63" AXLE		08	06	04
01B	0502040064	2-1/2" SNC X 70 99 NUT		16	12	08
02	0501040690	2.1/2" X 80" AXLE WITH NUTS		00	02	04
02A	0501010357	2.1/2" X 81" AXLE		00	02	04
02B	0502040064	2-1/2" SNC X 70 99 NUT		00	04	08
03	0541010368	NUT LOCK		16	16	16
04	0502010592	2-1/2" INNER AXLE WASHER		08	08	08
05	0502010593	2-1/2" EXTERNAL AXLE WASHER		08	08	08
06	0503010232	BOLT 5/8" X 1.3/4"		32	32	32
07	0501012140	FLAT WASHER 16,50 X 40 X 4,00 ZN		32	32	32
08	0503012412	5/8" UNC SELF LOCKING NUT		32	32	32
09	0531041571	430 X 2.1/2 DMO BEARING WITH PROTECTION 24 SUPPORT		16	16	16
10	0531046634			32	32	32
10A	0503011347	1-1/4" X 5" BOLT		32	32	32
10B	0571010448	32,50 X 75 X 16 SLEEVE		32	32	32
10C	0501011280	FLAT WASHER 32,50 X 75 X 4,75		32	32	32
10D	0501010087	1.1/4" NUT		64	64	64
11	0502012220	2.1/2" X 17" SPACER		08	10	12
12	0602048062	DR 36 X 12 C130AF04FR2.9/16 12REC		32	34	36
12.	0602051003	DR 40 X 12,00 C143AF04FR2.9/16 12R		32	34	36



Item	Code	Description	See page	QT
01	0531052794	430 X 2.1/2 DMO BEARING	25	01
02	0531062887	PROTECTION CAP		01
03	0503010834	1/2 X 1 BOLT		04
04	0503010019	SPRING WASHER 1/2"		04
05	0502013003	2.3/4 BEARING SUPPORT		01
06	0503011198	BOLT 3/4" UNC X 6" CS G.5		02
07	0503010023	SPRING WASHER 3/4"		02
08	0503010014	HEX NUT 3/4" ZN G.5 (HEAVY) UNC		02



Item	Code	Description	See page	QT
01	0502040119	SEAL RETAINER		02
02	0503035599	205 X 160,5 X 0,20 SEAL GASKET		01
03	0503030029	RETAINER LP JB-259		02
04	0503013243	32218 ROLLER BEARING		02
05	0503010920	1/2 UNC X 1.1/2 C S G.5 ZN BOLT		06
06	0503011440	SPRING WASHER		06
07	0502013002	BEARING HUB		01
08	0502013005	BEARING HUB LID		01
09	0503035600	205 X 160,5 X 0,40 SEAL GASKET		02
10	0502040039	AXLE		01
11	0502040165	INNER FLANGE		01
12	0502040164	OUTER FLANGE		01
13	0503010856	OIL PLUG R 3/8 BSPT		02



civemasa

Technical Publications | Elaboration and Revision

MARINA PEREZ NIZA

www.civemasa.com.br

