

DISK HARROWS

GVMF TR - 24D
GVMF TR - 24D

Code: 0501093854
Series: S-1123
Revision: 00
Revision Date: MAY/2024

PARTS
CATALOGUE

CIVEMASA

A solid orange horizontal bar is positioned at the top left of the page, above the "PRODUCTS" heading.

PRODUCTS

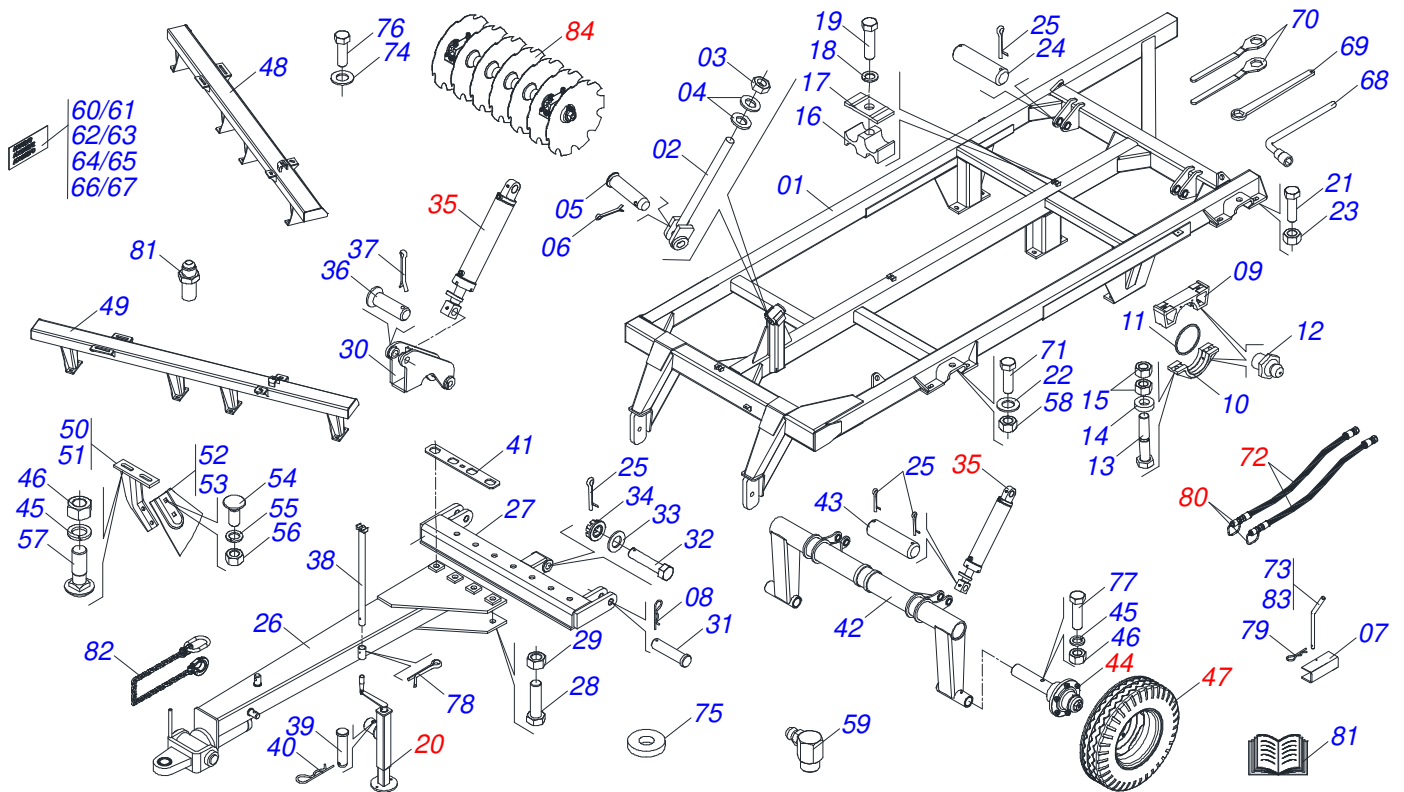
Code	Working Width	Description
0120040048		GVMF TR 24X34X9 DR DMO E2.1/8 PN400/60 S-1123

ATTENTION: IMPORTANT

CIVEMASA reserves the right to improve and/or modify the technical features of its products, without obligation to do the same with those products already sold and without prior knowledge of the dealer or the customer. The photos are only illustrative.

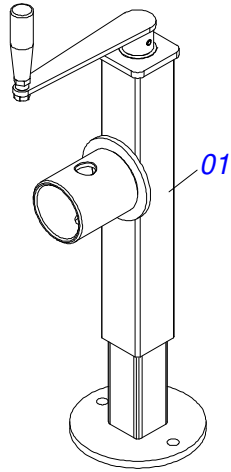
INDEX

0909093151	FRAME ASSY	1
0511048088	DRAWBAR JACK	2
0531041451	HYDRAULIC CYLINDER 53,98 X 101,6 X 728 X 400	3
0501055850	CARRYNG WHEEL HUB ASSEMBLY ASSY	4
0503061868	400/60 WHEEL WITH TIRE	5
0501057793	HOSE SET	6
0501053834	MALE QUICK COUPLER	7
0909093284	DISC GANG ASSY	8

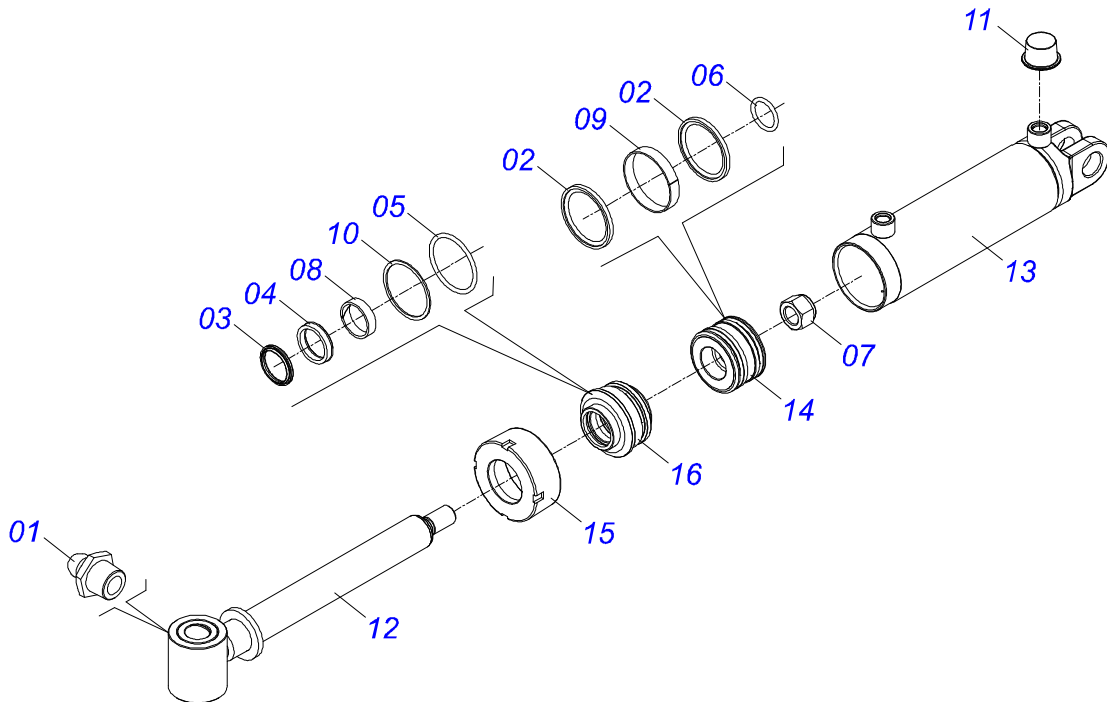


Item	Code	Description	See page	QT
01	0521063303	FRAME		01
02	0511068911	REAR AXLE ASSY		01
03	0501810333	1.3/4 NUT		02
04	0521014368	FLAT WASHER		02
05	0551012480	PIN		01
06	0503012231	1/4" X 3" SPLIT PIN		02
07	0591018207	LOCK FOR TRANSPORT		03
08	0503031479	STAPLE		02
09	0502011725	UPPER BEARING SEMI		03
10	0502011724	INF BEARING SEMI		03
11	0503012222	FELT RING		06
12	0503010002	1800 GREASE FITTING		07
13	0511816281	3/4" X 8" BOLT		06
14	0521013710	WASHER SEMIMAN		06
15	0503812183	NUT		12
16	0502012702	BODY SUPPORT CLAMP		05
17	0531011180	SUPPORT		04
18	0503010180	7/16" SPRING WASHER		04
19	0503012555	7/16" UNC X 2" CS RT G.7 ZN SCREW		05
20	0511048088	DRAWBAR JACK	2	01
21	0503012257	1" X 4-1/4" BOLT		08
22	0521014368	FLAT WASHER		02
23	0503012182	1" NUT		16
24	0521013706	HEADLESS PIN		02
25	0503010010	1/4" X 2.1/2" SPLIT PIN		09
26	0511068296	DRAWBAR		01
27	0511068298	DRAWBAR ASSY		01
28	0503012174	1-1/4" X 8-1/4" BOLT		04
29	0503012181	1.1/4" NUT		04
30	0511068913	DRAWBAR PIVOT		01
31	0521013738	CLEVIS PIN		02
32	0521013739	BOLT HARNESS		01

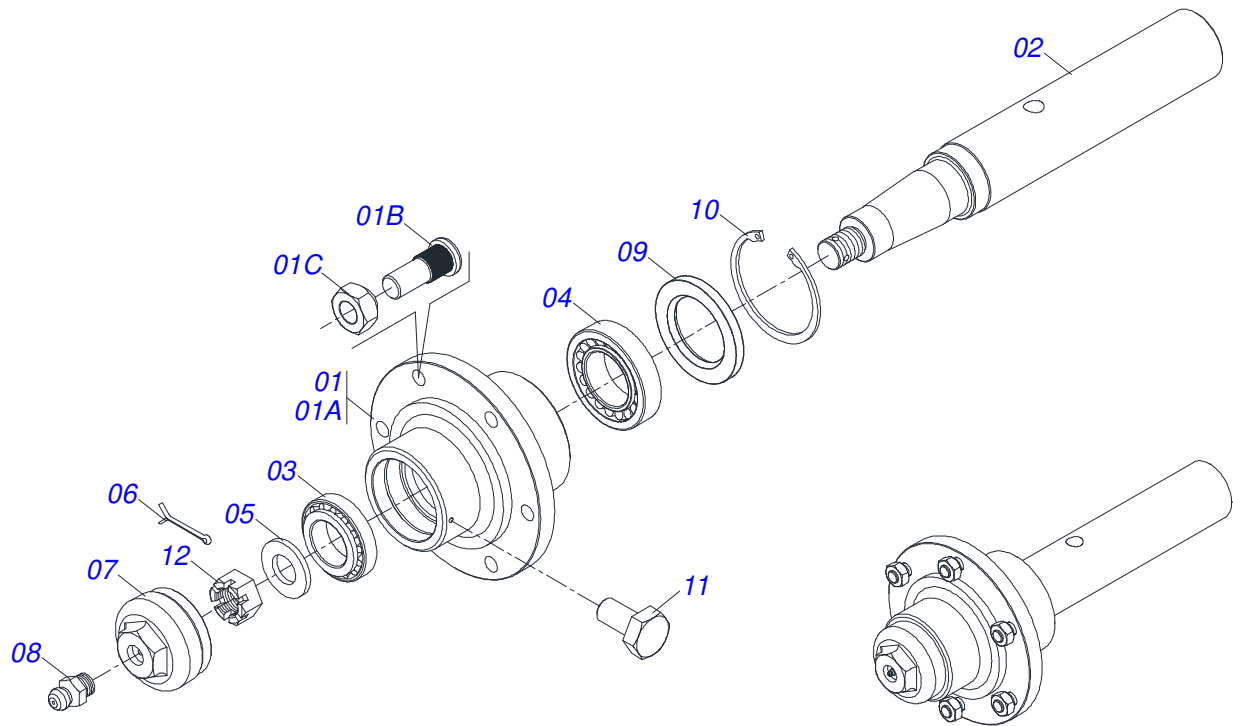
Item	Code	Description	See page	QT
33	0501812916	FLAT WASHER		01
34	0502011592	CASTLE NUT		01
35	0531041451	HYDRAULIC CYLINDER 53,98 X 101,6 X 728 X 400	3	03
36	0551012506	PIN		01
37	0503010010	1/4" X 2.1/2" SPLIT PIN		01
38	0511060205	SUPPORT HOSE CNS 20104N		01
39	0561014251	COUPLING SHAFT		01
40	0503030012	HITCH PIN CLIP		01
41	0521013774	LOCK		01
42	0511069921	AXLE WHEEL		01
43	0591019956	44,45 X 168 HEADLESS PIN		02
44	0501055850	CARRYNG WHEEL HUB ASSEMBLY ASSY	4	02
45	0503010023	3/4" SPRING WASHER		26
46	0503012183	SNC 3/4" ZIN 1K03097 NUT		50
47	0503061868	400/60 WHEEL WITH TIRE	5	02
48	0531068033	REAR FRAME		01
49	0531068032	FRONT FRAME		01
50	0511060138	FRONT CLEANER SUPPORT		12
51	0511060139	REAR CLEANER SUPPORT		12
52	0521013678	FRONT CLEANER		12
53	0521013679	REAR CLEANER		12
54	0503012407	5/8" X 1-1/2" BOLT		48
55	0503010027	5/8 SPRING WASHER		48
56	0503010013	5/8 UNC G.5 ZN HEX NUT		48
57	0501017305	3/4" X 2-1/4" BOLT		48
58	0502011692	3442029 NUT		02
59	0503010003	1845 GREASE FITTING		06
60	0503031428	ATTENTION READ MANUAL DECAL		01
61	0503033647	APPROVED DECAL		01
62	0503034078	LIFTING POINTS DECAL		03
63	0503033038	DANGER DECAL		01
64	0503031738	WARNING DECAL		01
65	0503031739	DANGER DECAL		01
66	0503033434	ADHESIVE		02
67	0503034355	EMBLEM		02
68	0501061617	1" GANG BOLT WRENCH		01
69	0531013656	WRENGH		01
70	0501316941	KEY 2.1/8 AND 2.1/2		02
71	0503019212	BOLT		02
72	0501057793	HOSE SET	6	01
73	0541016844	FIXER LOCK		03
74	0501012140	FLAT WASHER 16,50 X 40 X 4,00 ZN		16
75	0503013171	SEALING 1/2" X 10M 1J51066		01
76	0501010108	5/8" X 1" BOLT		01
77	0503011084	3/4" X 5" BOLT		02
78	0503012215	5/16" X 2.1/2" SPLIT PIN		01
79	0503030285	HITCH PIN CLIP		03
80	0501053834	MALE QUICK COUPLER	7	02
81	0551012528	ADAPTER (GND)		04
82	0503013150	1300 X 3/8" CHAIN		01
83	0511060137	ASSEMBLY LOCK PIN		01
84		DISC GANG ASSY	8	



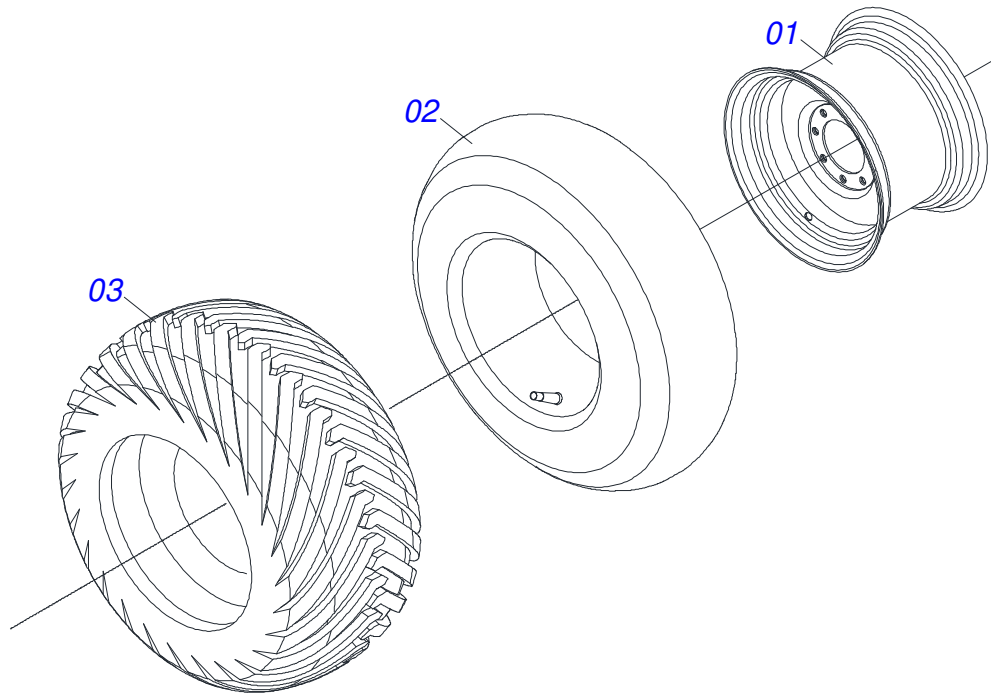
Item	Code	Description	See page	QT
01	0503062227	DRAWBAR JACK		01



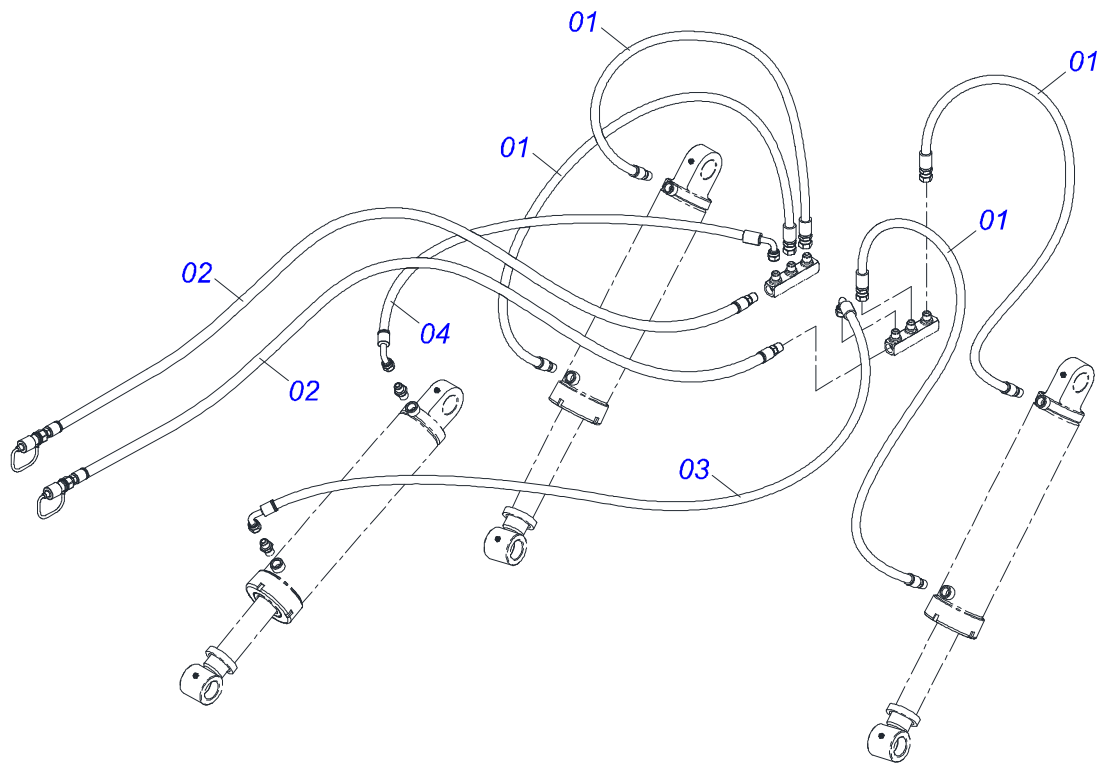
Item	Code	Description	See page	QT
01	0503010002	1800 GREASE FITTING		02
02	0503010043	PACKING 3750-3250		02
03	0503010314	GASKET		01
04	0503010319	D-2125 SCRAPER		01
05	0503010338	2-342 N 3006-9B O'RING		01
06	0503010345	2-218 N 3006-9B O'RING		01
07	0503010817	1.1/4" SELF LOCKING NUT		01
08	0503010973	W2-2500-500 PK O'RING G.E		01
09	0503010994	W2-4000-500 PK RING G.E		01
10	0503011061	8-342 BACK-UP RING		01
11	0503030384	PLUG N-001		02
12	0531062835	EXTENDER 53.98 X 609		01
13	0511062253	CYLINDER CASE		01
14	0502011969	53,98 X 101,60 PISTON		01
15	0502010017	4" LID		01
16	0502011250	RING OF SUPPORT		01



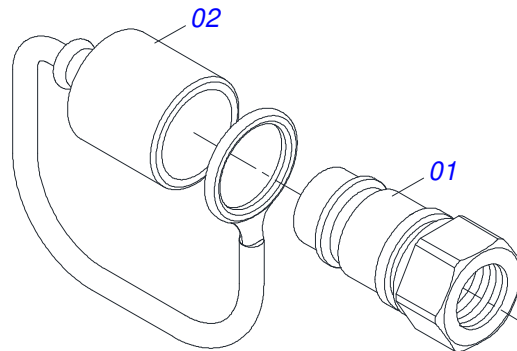
Item	Code	Description	See page	QT
01	0501110766	HUB CARRYING WHEELS WITH BOLT		01
01A	0502011715	WHEEL HUB		01
01B	0503012307	5/8" X 2" BOLT		06
01C	0503010064	5/8 UNF CONIC NUT		06
02	0541014720	CR 7076205/1/1 AXLE		01
03	0503010006	32210 ROLLER BEARING		01
04	0503010005	32212 ROLLER BEARING		01
05	0501010086	FLAT WASHER		01
06	0503010067	3/16" X 2.1/2" SPLIT PIN		01
07	0502011647	COVER		01
08	0503010691	1/4" GREASE FITTING		01
09	0503010009	RETAINER 00573-B		01
10	0503012723	502115 RENO RING		01
11	0503010298	1/4" X 1/2" BOLT		01
12	0503012457	UNF 1.1/4" CASTLE NUT		01



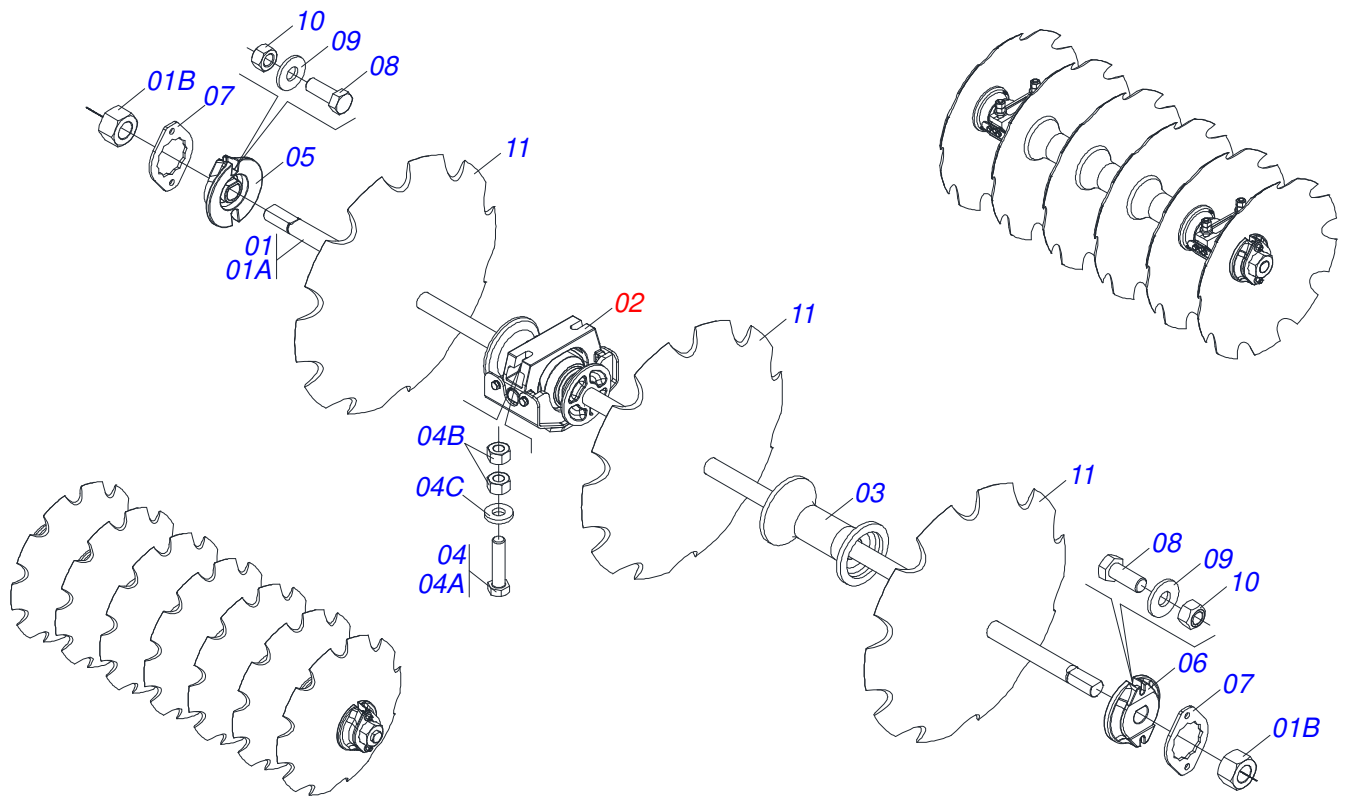
Item	Code	Description	See page	QT
01	0503012916	W-13 X 16,5 HOOP WHEEL		01
02	0503012112	400/60 - 15.5 TR 15 INNER TIRE		01
03	0503013119	CANVAS TIRE 400/60-15,5-T404-14L TRELEBORG		01



Item	Code	Description	See page	QT
01	0501080801	HOSE 3/8" X 43.30" TR-TM		04
02	0501080821	3/8" X 303.15" TM-TM HOSE		02
03	0501080909	3/8" X 181" TC-TC HOSE		01
04	0501080751	3/8" X 165" TC-TC HOSE		01



Item	Code	Description	See page	QT
01	0503011627	MALE QUICK COUPLER AGR 1/2 NPT		01
02	0503011882	MALE QUICK COUPLER CAP		01



Item	Code	Description	See page	QT
01	0511053649	2-1/8 X 2045 AXLE WITH NUT		04
01A	0571014259	2-1/8 X 2495 AXLE		01
01B	0502040063	2-1/8" X 54 99 NUT		02
02	0531041578	AGRICULTURAL BEARING DM OL 360 X 2.1/8		08
03	0502013026	SEPARATOR		12
04	0531041581	1" X 4" BOLT ASSY		16
04A	0503011432	BOLT		01
04B	0501010059	1.5/8 NUT		02
04C	0541010210	FLAT WASHER		01
05	1902010595	INTERNAL AXLE LOCK 2.1/8		04
06	1902010594	EXTERNAL AXLE LOCK 2.1/8		04
07	0541010368	NUT LOCK		08
08	0503010232	5/8" X 1.3/4" BOLT		16
09	0501012140	FLAT WASHER 16,50 X 40 X 4,00 ZN		16
10	0503012412	5/8" UNC SELF LOCKING NUT		16
11	0602046013	DR 34 X 9,00 C120AF04FR2.3/16 12R		24



civemasa

Technical Publications | Elaboration and Revision
ALESSANDRA PATRICIA KAWAHARA CARRILI

www.civemasa.com.br

