

DISK HARROWS

SGAC - 12/14/16D - 2.1/8" SHAFT
SGAC - 12/14/16D - EIXO 2.1/8"

Code: 0501093853
Series: S-1223
Revision: 00
Revision Date: OCTOBER/2024

PARTS
CATALOGUE

CIVEMASA




PRODUCTS

Code	Working Width	Description
0120150087		SGAC 12 X 34 X 9,00 DR DMO E 2.1/8 PN11L15 S-1223
0120150085		SGAC 14 X 34 X 9,00 DR DMO E 2.1/8 PN400/60 S-1223
0120150086		SGAC 16 X 34 X 9,00 DR DMO E 2.1/8 PN400/60 S-1223

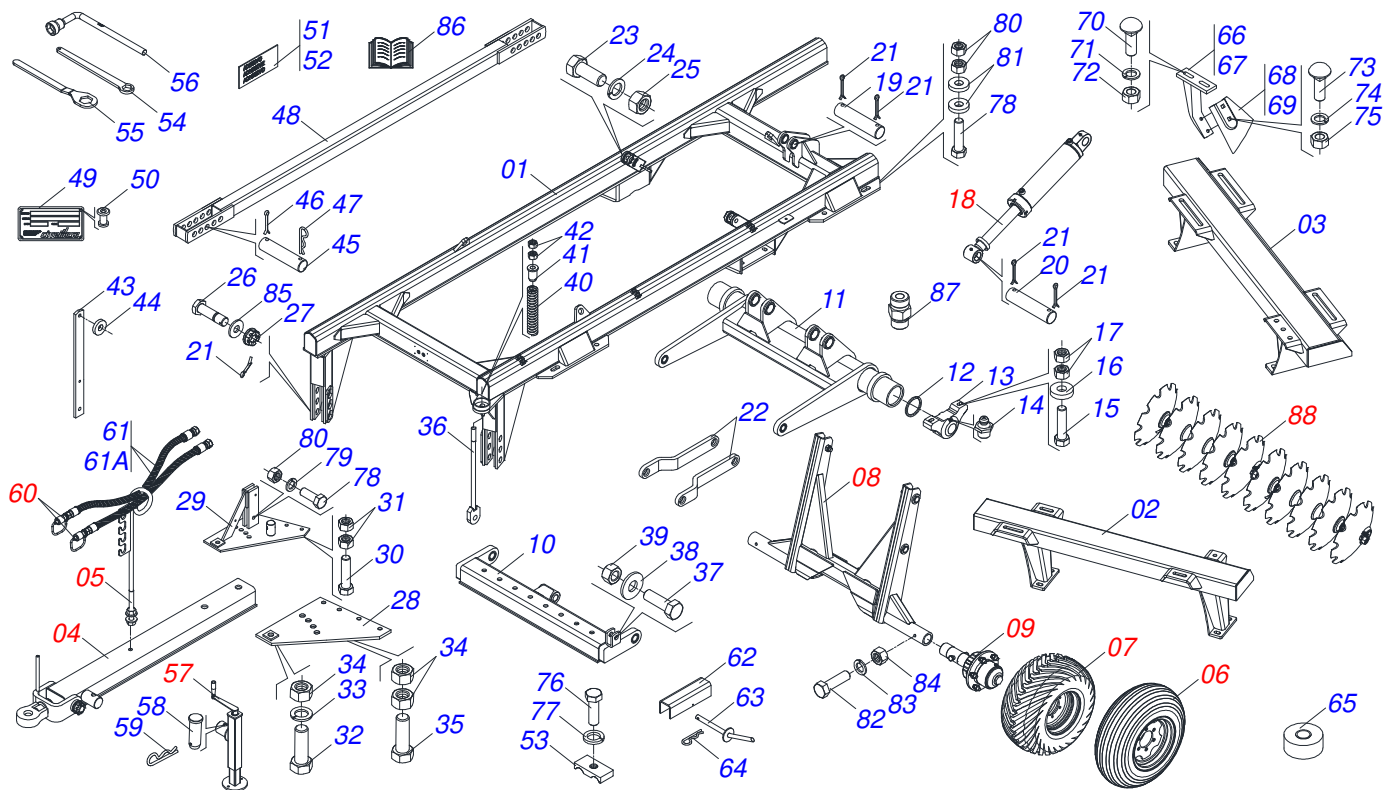
ATTENTION: IMPORTANT

CIVEMASA reserves the right to improve and/or modify the technical features of its products, without obligation to do the same with those products already sold and without prior knowledge of the dealer or the customer. The photos are only illustrative.



INDEX

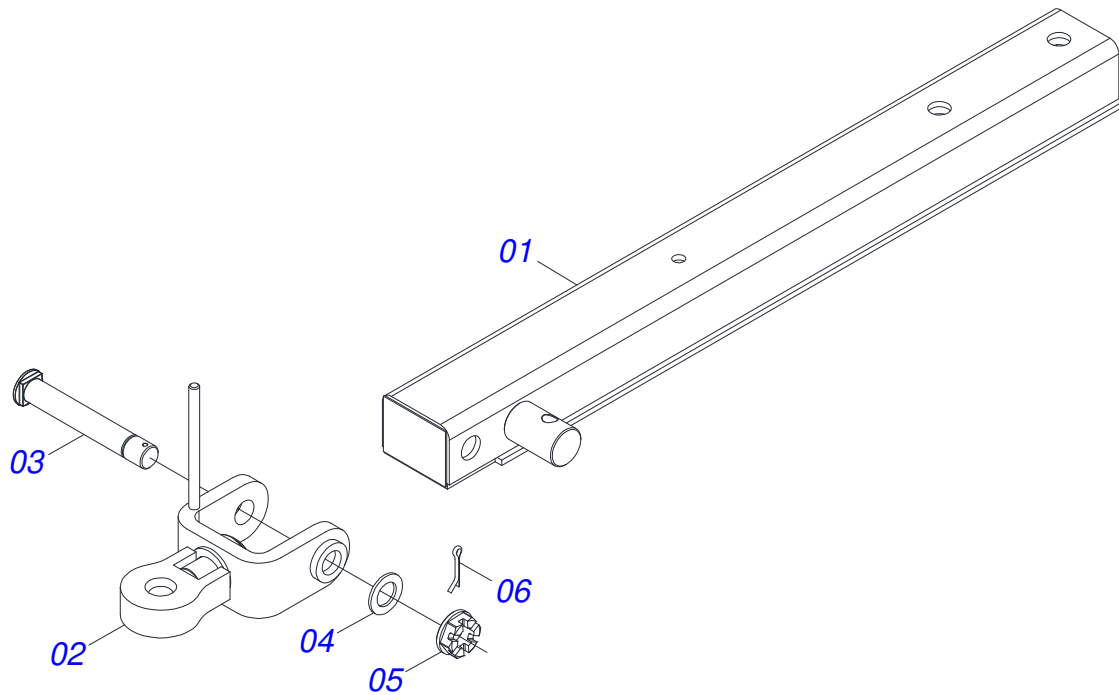
0909094008	FRAME ASSY	1
0511050170	HARNESS ASSY	2
0501040257	3/4" X 38" HOSE SUPPORT ASSY	3
0503061864	WHEEL SET	4
0503061868	400/60 WHEEL WITH TIRE	5
0521044885	WHEEL ASSY	6
0521045051	WHEELS ASSY	7
0501054685	WHEELS HUB ASSY	8
0501055850	CARRYNG WHEEL HUB ASSEMBLY ASSY	9
0531041388	53,98 X 101,6 X 630 X 300 HYDRAULIC CYLINDER	10
0511048088	DRAWBAR JACK	11
0501053834	MALE QUICK COUPLER	12
0909094009	DISC GANG ASSY	13
0531041578	AGRICULTURAL BEARING DM OL 360 X 2.1/8	14
0531052835	AGRICULTURAL BEARING DM OL 360 X 2.1/8 SWING	15



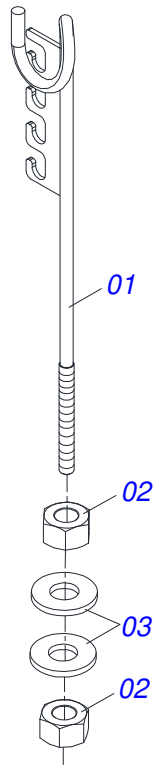
Item	Code	Description	See page	12	14	16
01	0511064754	FRAME		01	01	01
02	0531067810	FRONT FRAME - 12D		01	00	00
02.	0531067812	FRONT FRAME - 14D		00	01	00
02..	0531062912	FRONT CHASSIS - 16D		00	00	01
03	0531067809	REAR FRAME - 12D		01	00	00
03.	0531067811	REAR FRAME - 14D		00	01	00
03..	0531062913	REAR CHASSIS - 16D		00	00	01
04	0511050170	HARNES ASSY	2	01	01	01
05	0501040257	3/4" X 38" HOSE SUPPORT ASSY	3	01	01	01
06	0503061864	WHEEL SET	4	02	00	00
07	0503061868	400/60 WHEEL WITH TIRE	5	00	02	02
08	0521044885	WHEEL ASSY	6	01	00	00
08.	0521045051	WHEELS ASSY	7	00	01	01
09	0501054685	WHEELS HUB ASSY	8	02	00	00
09.	0501055850	CARRYNG WHEEL HUB ASSEMBLY ASSY	9	00	02	02
10	0511060115	DRAWBAR		01	01	01
11	0511060135	WHEELS AXLE		01	01	01
12	0503012223	FELT RING		02	02	02
13	0502011583	BEARING AXLE		02	02	02
14	0503010002	1800 GREASE FITTING		02	02	02
15	0503010901	3/4UNC 3.1/2 BOLT		04	00	00
15.	0503810797	BOLT		00	04	04
16	0521013710	WASHER SEMIMAN		04	04	04
17	0503012183	SNC 3/4" ZIN 1K03097 NUT		08	08	08
18	0531041388	53,98 X 101,6 X 630 X 300 HYDRAULIC CYLINDER	10	01	01	01
19	0591019956	44,45 X 168 HEADLESS PIN		01	01	01
20	0521013706	HEADLESS PIN		01	01	01
21	0503010010	1/4" X 2.1/2" SPLIT PIN		06	06	06
22	0511063681	ARM		02	02	02
23	0503011432	BOLT		02	02	02
24	0503010012	1" SPRING WASHER		02	02	02
25	0503012182	1" NUT		02	02	02

Item	Code	Description	See page	12	14	16
26	0501016416	1-1/2" X 5.4" BOLT		02	02	02
27	0501011301	1.1/2" UNC 6FPP 2.5/16" NUT		02	02	02
28	0511060125	BOTTOM PLATE HITCH		01	01	01
29	0511060126	TOP PLATE HITCH		01	01	01
30	0501010219	1" X 7-1/2" BOLT		04	04	04
31	0503012182	1" NUT		08	08	08
32	0503012192	1-1/4" X 8 BOLT		01	01	01
33	0503010070	SPRING WASHER		01	01	01
34	0503012181	1.1/4" NUT		03	03	03
35	0503012174	1-1/4" X 8-1/4" BOLT		01	01	01
36	0511060124	SPINDLE ASSEMBLY		01	01	01
37	0501010500	3/4" X 3" BOLT		01	01	01
38	0501010322	20,50 X 46 X 4,00 ZN FLAT WASHER		01	01	01
39	0503011255	3/4" LOCK NUT		01	01	01
40	0503031460	SPRING		01	01	01
41	0502011582	SPINDLE GUIDE		01	01	01
42	0503012182	1" NUT		02	02	02
43	0521013673	TOWER		01	01	01
44	0521015518	BOOST		04	04	04
45	0521013703	PIN FREE HEAR		02	02	02
46	0503010038	3/16" X 2" SPLIT PIN		02	02	02
47	0503031470	TM 251 X 4,0 STAPLE		02	02	02
48	0511060127	BEAM STABILIZER		01	01	01
49	0503034004	ALUMINUM IDENTIFICATION DECAL		01	01	01
50	0503010001	RIVET 3,2 X 5,5		04	04	04
51	0503031738	WARNING DECAL		01	01	01
51.	0503033038	DANGER DECAL		02	02	02
51...	0503033647	APPROVED DECAL		01	01	01
52	0503034203	ADHESIVE		02	02	02
52.	0503031739	DANGER DECAL		01	01	01
52..	0503031428	ATTENTION READ MANUAL DECAL		01	01	01
52...	0503034355	EMBLEM		02	02	02
53	0502012702	BODY SUPPORT CLAMP		03	03	03
54	0531013656	SOCKET WRENCH GPR 30110A 3363489		01	01	01
55	0501316941	KEY 2.1/8 AND 2.1/2		02	00	02
55.	0501011431	1-3/4" GANG BOLT WRENCH		00	02	00
56	0501061617	1" GANG BOLT WRENCH		01	00	01
56.	0503018438	1" WRENCH CYLINDRICAL HEX		00	01	00
57	0511048088	DRAWBAR JACK	11	01	01	01
58	0561014251	COUPLING SHAFT		01	01	01
59	0503030012	HITCH PIN CLIP		02	02	02
60	0501053834	MALE QUICK COUPLER	12	02	02	02
61	0511050954	HOSE GAME		01	01	01
61A	0501080640	3/8" X 283.50" TC-TM HOSE		02	02	02
62	0591019957	TRANSPORT LOCK		02	01	01
63	0541016844	FIXER LOCK		03	01	01
64	0503030285	HITCH PIN CLIP		03	01	01
65	0503013171	SEALING 1/2" X 10M 1J51066		01	01	01
66	0511060138	FRONT CLEANER SUPPORT		06	07	08
67	0511060139	REAR CLEANER SUPPORT		06	07	08
68	0521013678	FRONT CLEANER		06	07	08
69	0521013679	REAR CLEANER		06	07	08
70	0503012180	FRENCH 3/4" X 2 BOLT		24	28	32
71	0503010023	3/4" SPRING WASHER		24	28	32
72	0503012183	SNC 3/4" ZIN 1K03097 NUT		24	28	32
73	0503012195	5/8" NUT		24	28	32
74	0503010027	5/8 SPRING WASHER		24	28	32
75	0503010013	5/8 UNC G.5 ZN HEX NUT		24	28	32
76	0503012555	7/16" UNC X 2" CS RT G.7 ZN SCREW		03	03	03
77	0503010180	7/16" SPRING WASHER		03	03	03
78	0503011432	BOLT		08	08	08

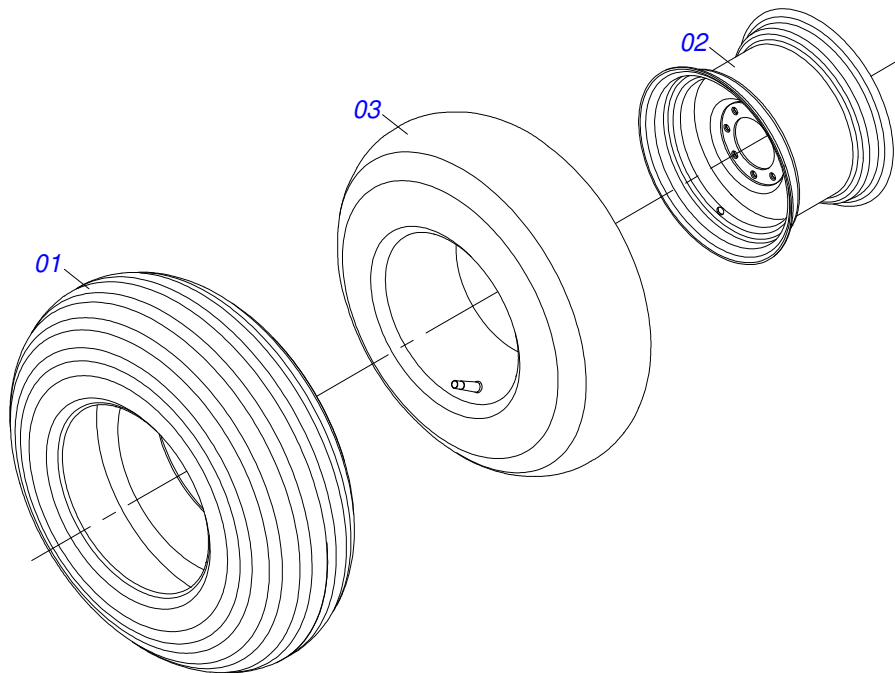
Item	Code	Description	See page	12	14	16
79	0503010012	1" SPRING WASHER		01	01	01
80	0503012182	1" NUT		16	16	16
81	0521015523	BOOST		16	16	16
82	0501010163	5/8" X 4-1/2" BOLT		02	02	02
83	0503010027	5/8 SPRING WASHER		02	02	02
84	0503010013	5/8 UNC G.5 ZN HEX NUT		02	02	02
85	0551812215	FLAT WASHER 38,50 X 70 X 6,30 SA		02	02	02
86	0501093964	INSTRUCTION MANUAL		01	01	01
87	0551012528	ADAPTER (GND)		00	03	03
88		DISC GANG ASSY	13			



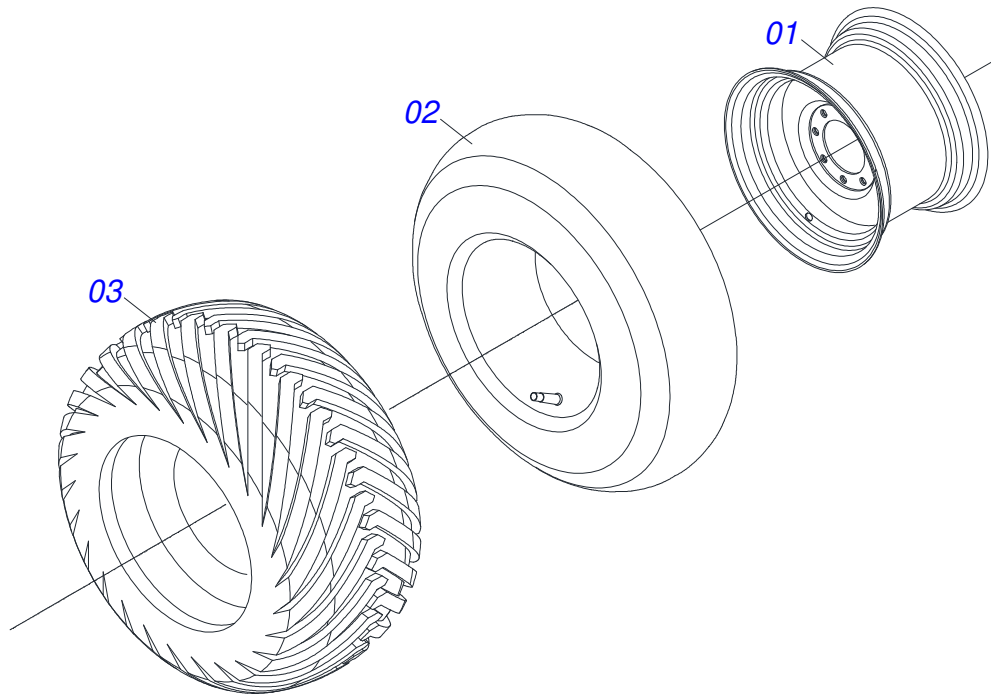
Item	Code	Description	See page	QT
01	0511060119	HARNESS		01
02	0521062956	HITCH		01
03	0561018588	COUPLING SHAFT		01
04	0501011301	1.1/2" UNC 6FPP 2.5/16" NUT		01
05	0501012916	FLAT WASHER 40 X 66 X 4,75 ZN		01
06	0503010010	1/4" X 2.1/2" SPLIT PIN		01



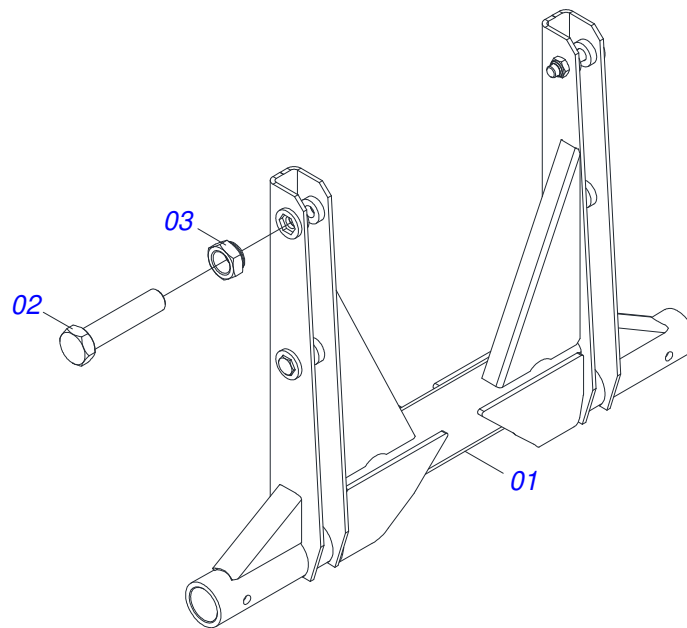
Item	Code	Description	See page	QT
01	0511067334	HOSE SUPPORT		01
02	0503010014	3/4" ZN G.5 (HEAVY) UNC HEX NUT		02
03	0501010322	20,50 X 46 X 4,00 ZN FLAT WASHER		02



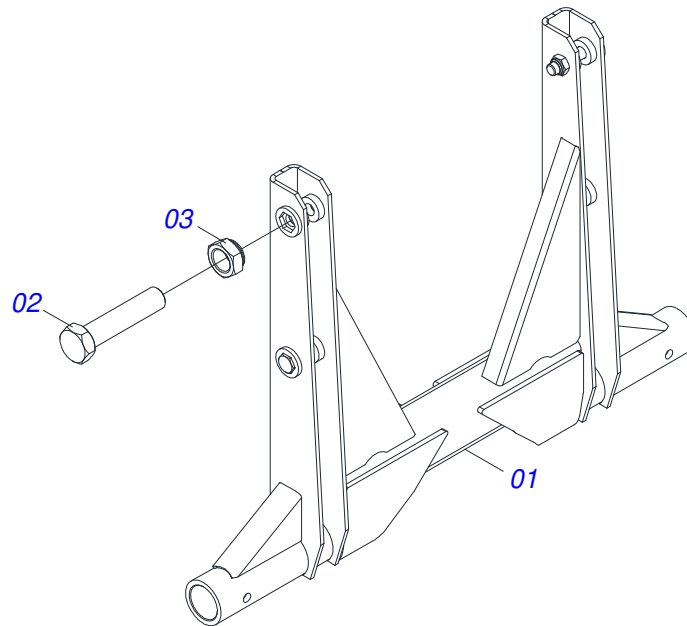
Item	Code	Description	See page	QT
01	0503011469	RIB TIRE BL - 12L		01
02	0511064777	CR 30M/2-L15 WHEEL		01
03	0503010860	AIR CHAMBER 11L 15		01



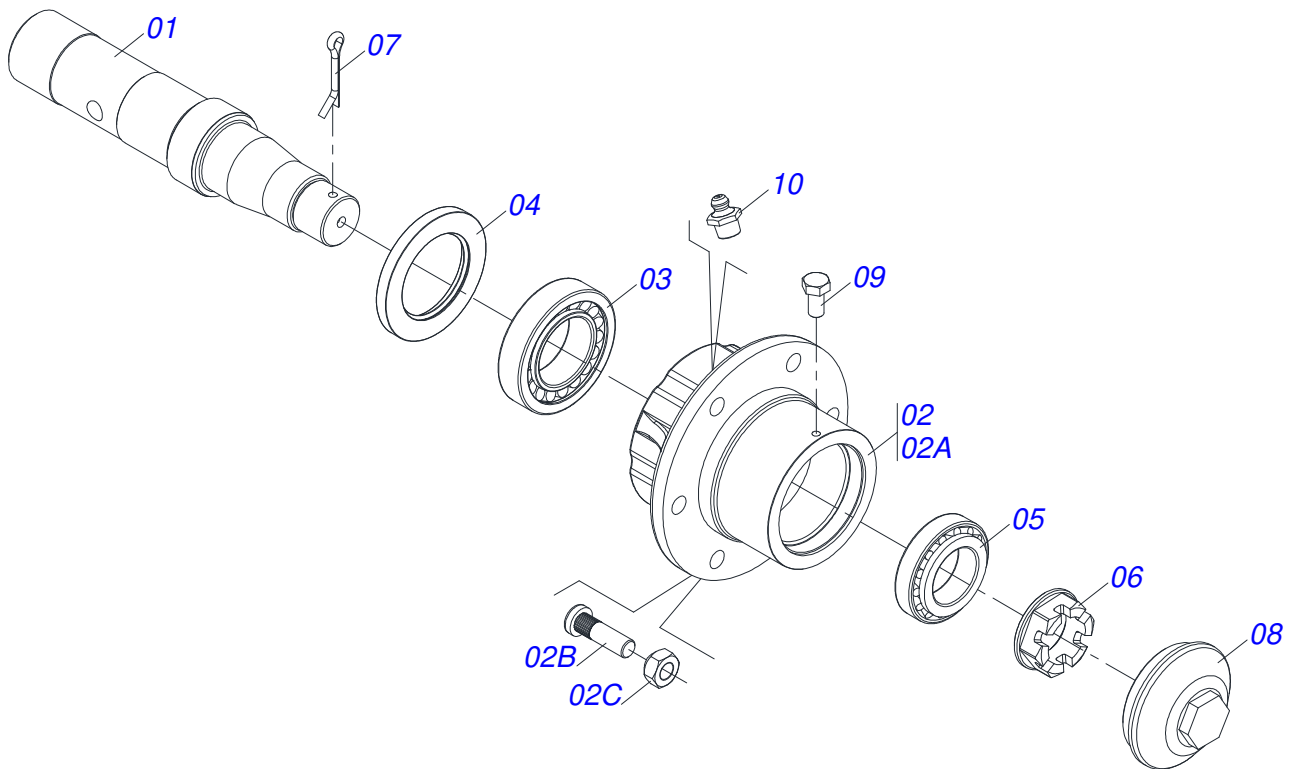
Item	Code	Description	See page	QT
01	0503012916	W-13 X 16,5 HOOP WHEEL		01
02	0503012112	400/60 - 15.5 TR 15 INNER TIRE		01
03	0503013119	CANVAS TIRE 400/60-15,5-T404-14L TRELEBORG		01



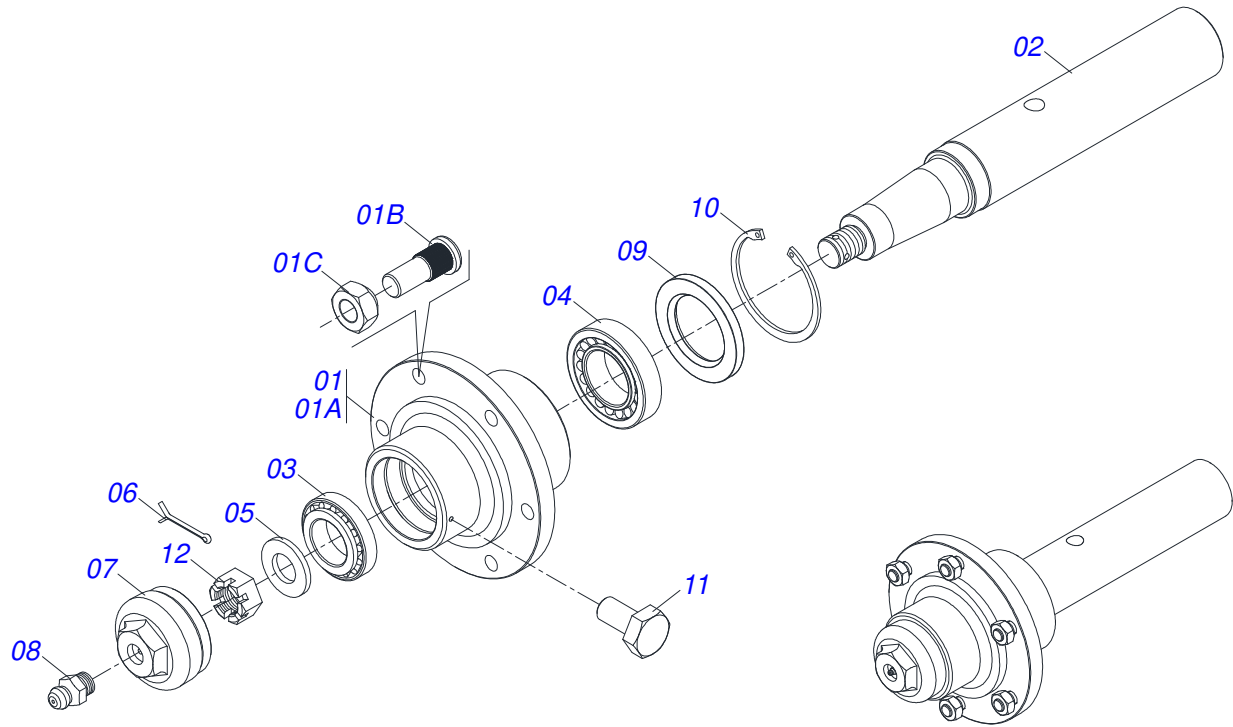
Item	Code	Description	See page	QT
01	0511060141	WHEEL ASSEMBLY		01
02	0501011547	1" X 4-1/2" BOLT		04
03	0503014182	SELF-ADJUSTING NUT		04



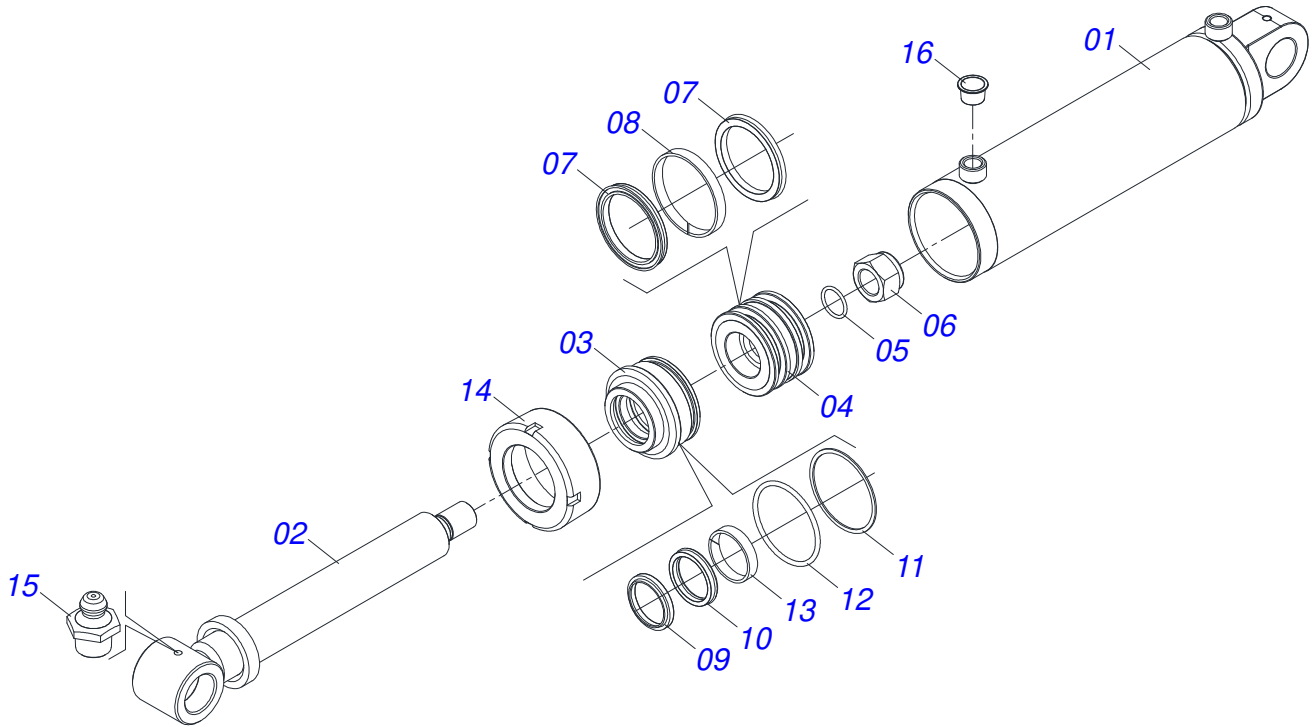
Item	Code	Description	See page	QT
01	0511068626	ASSEMBLY CARRYING-WHEELS		01
02	0501011547	1" X 4-1/2" BOLT		04
03	0503014182	SELF-ADJUSTING NUT		04



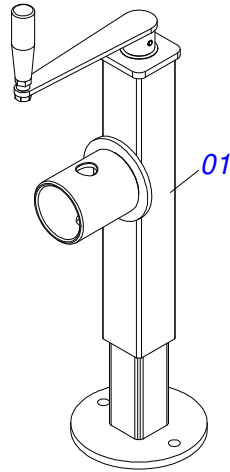
Item	Code	Description	See page	QT
01	0531019478	CR 30M/1 AXLE		01
02	0501110768	HUB CARRYING WHEELS WITH BOLT		01
02A	0502011389	HUB		01
02B	0501010186	WHEEL BOLT 5/8"UNF X 2.1/8CR		06
02C	0503010064	5/8 UNF CONIC NUT		06
03	0503010005	32212 ROLLER BEARING		01
04	0503010009	RETAINER 00573-B		01
05	0503010006	32210 ROLLER BEARING		01
06	0501010888	1.3/4" 2.5/16" CASTLE NUT		01
07	0503010010	1/4" X 2.1/2" SPLIT PIN		01
08	0502020593	PROTECTION LID		01
09	0503010295	SCREW 5/16 UNC X 5/8 CS G.2 ZN		01
10	0503010002	1800 GREASE FITTING		01



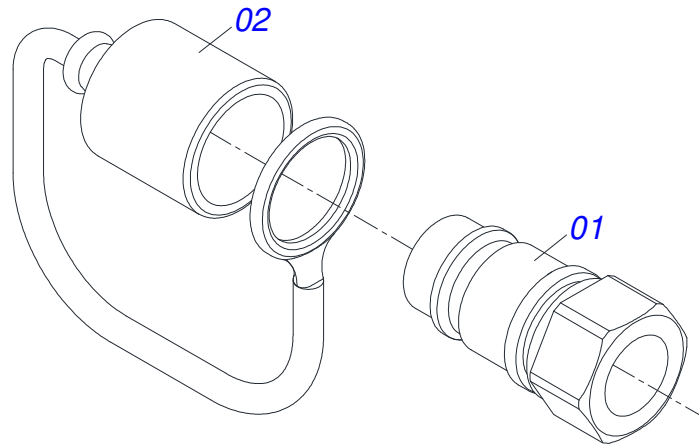
Item	Code	Description	See page	QT
01	0501110766	HUB CARRYING WHEELS WITH BOLT		01
01A	0502011715	WHEEL HUB		01
01B	0503012307	5/8" X 2" BOLT		06
01C	0503010064	5/8 UNF CONIC NUT		06
02	0541014720	CR 7076205/1/1 AXLE		01
03	0503010006	32210 ROLLER BEARING		01
04	0503010005	32212 ROLLER BEARING		01
05	0501010086	FLAT WASHER		01
06	0503010067	3/16" X 2.1/2" SPLIT PIN		01
07	0502011647	COVER		01
08	0503010691	1/4" GREASE FITTING		01
09	0503010009	RETAINER 00573-B		01
10	0503012723	502115 RENO RING		01
11	0503010298	1/4" X 1/2" BOLT		01
12	0503012457	UNF 1.1/4" CASTLE NUT		01



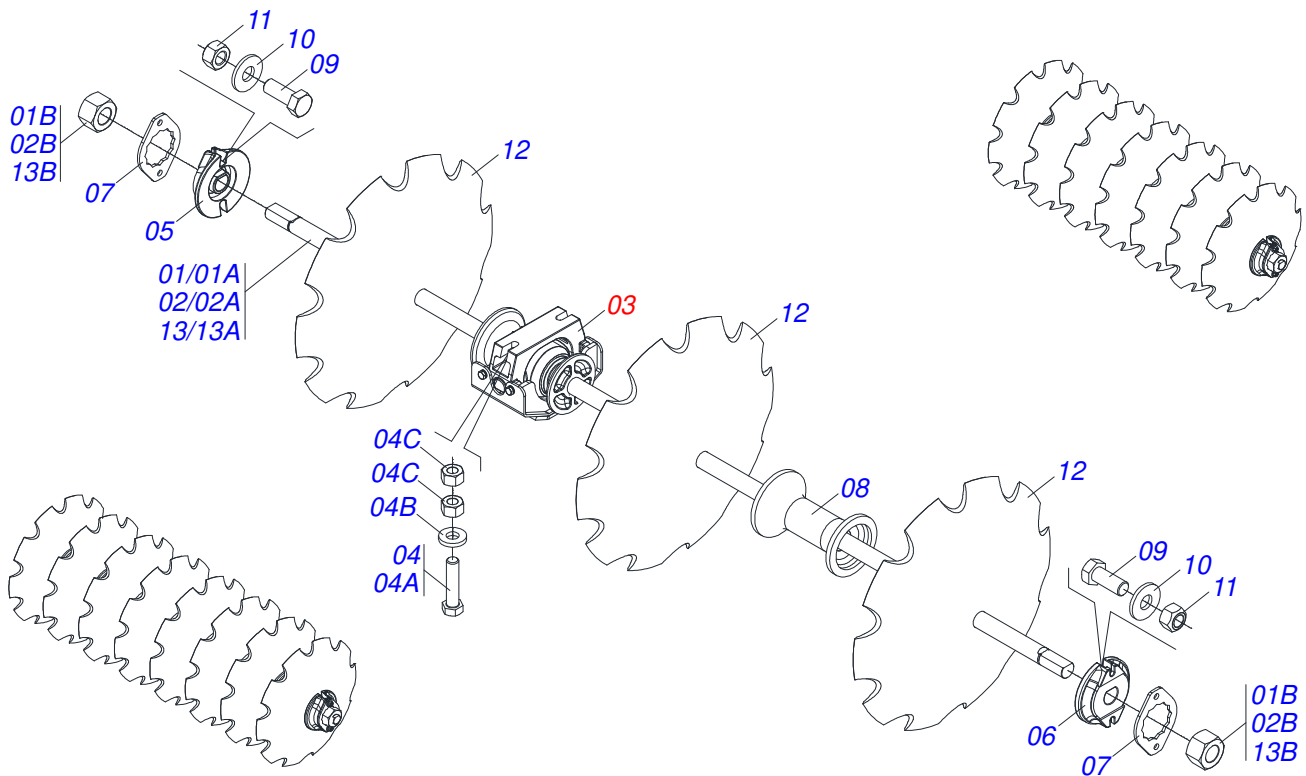
Item	Code	Description	See page	QT
01	0511062252	101,6 X 418 CYLINDER CASE		01
02	0531062977	HYDRAULIC CYLINDER TURNBUCKLE		01
03	0502011250	RING OF SUPPORT		01
04	0502011969	53,98 X 101,60 PISTON		01
05	0503010345	2-218 N 3006-9B O'RING		01
06	0503010817	1.1/4" SELF LOCKING NUT		01
07	0503010043	PACKING 3750-3250		02
08	0503010994	W2-4000-500 PK RING G.E		01
09	0503010319	D-2125 SCRAPER		01
10	0503010314	GASKET		01
11	0503011061	8-342 BACK-UP RING		01
12	0503010338	2-342 N 3006-9B O'RING		01
13	0503010973	W2-2500-500 PK O'RING G.E		01
14	0502010017	4" LID		01
15	0503010002	1800 GREASE FITTING		02
16	0503030384	PLUG N-001		02



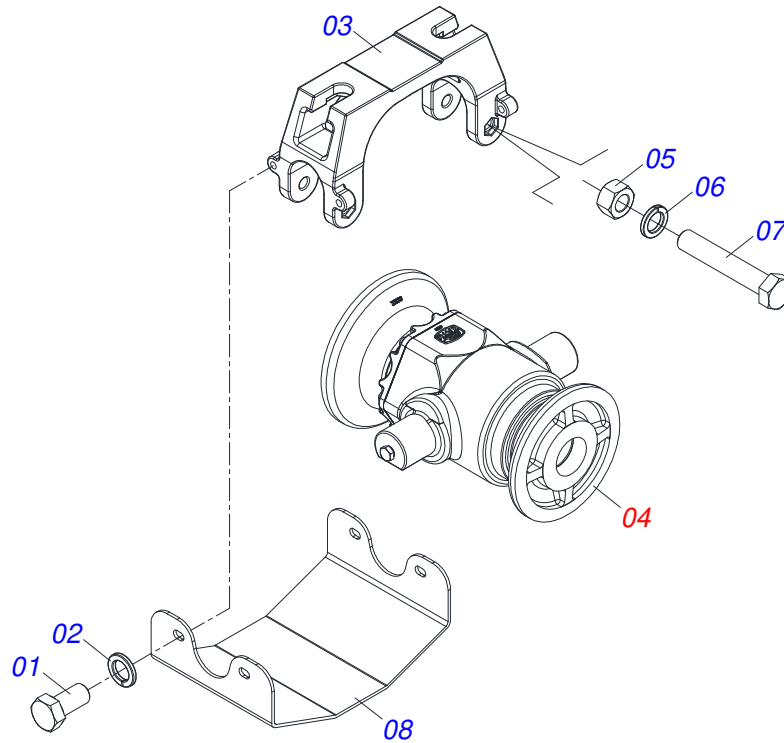
Item	Code	Description	See page	QT
01	0503062227	DRAWBAR JACK		01



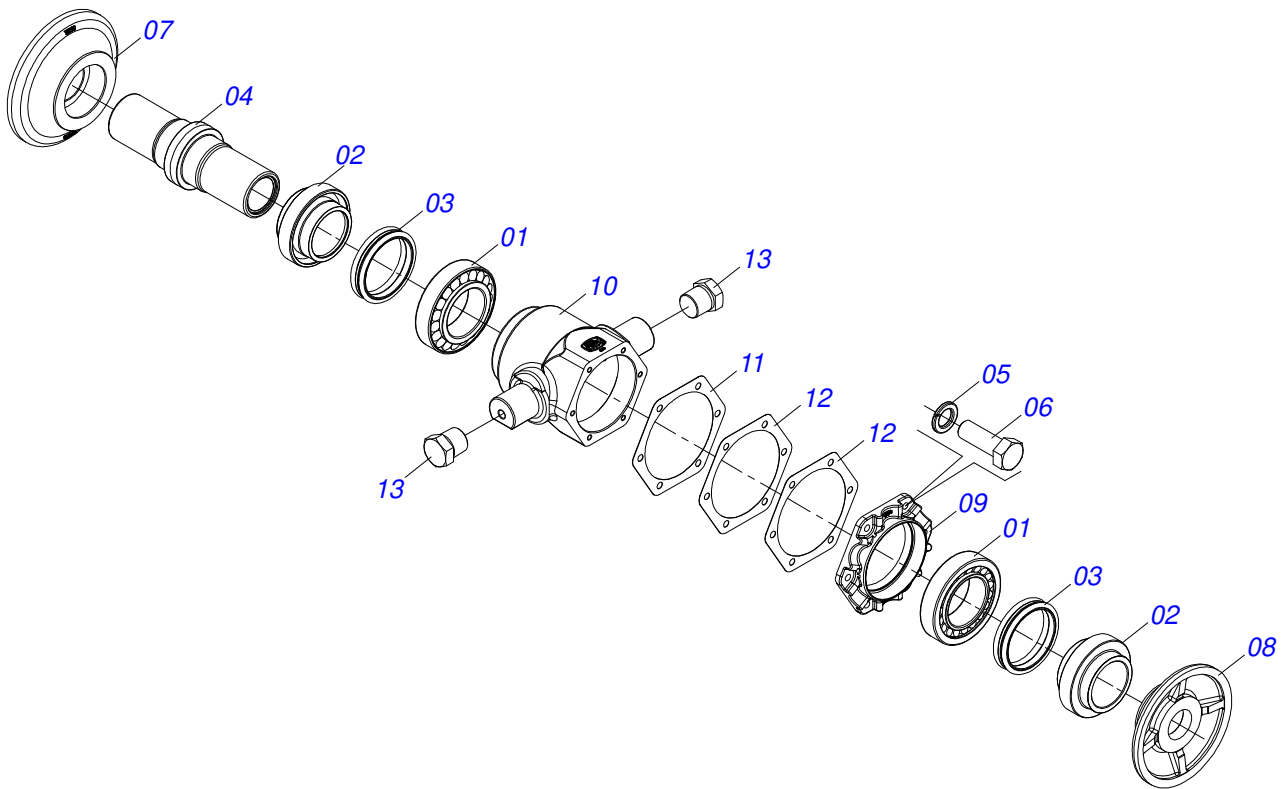
Item	Code	Description	See page	QT
01	0503011627	MALE QUICK COUPLER AGR 1/2 NPT		01
02	0503011882	MALE QUICK COUPLER CAP		01



Item	Code	Description	See page	12	14	16
01	0531045631	2.1/8" X 80.30" SHAFT ASSY		02	00	00
01A	0501318171	2.1/8" X 80.30" SHAFT		01	00	00
01B	0502040063	2-1/8" X 54 99 NUT		02	00	00
02	0531045630	2.1/8" X 94.90" SHAFT ASSY		00	02	00
02A	0551017146	2.1/8" X 94.90" SHAFT		00	01	00
02B	0502040063	2-1/8" X 54 99 NUT		00	02	00
03	0531041578	AGRICULTURAL BEARING DM OL 360 X 2.1/8	14	04	06	08
04	0531041581	1" X 4" BOLT ASSY		08	12	16
04A	0503011432	BOLT		01	01	01
04B	0541010210	FLAT WASHER		01	01	01
04C	0501010059	1.5/8 NUT		02	02	02
05	0502010595	2-1/8" INNER AXLE WASHER		02	02	04
06	0502010594	2-1/8" EXTERNAL AXLE WASHER		02	02	04
07	0541010368	NUT LOCK		04	04	08
08	0502013026	SEPARATOR		06	06	04
09	0503010232	5/8" X 1.3/4" BOLT		08	08	16
10	0501012140	FLAT WASHER 16,50 X 40 X 4,00 ZN		08	08	16
11	0503012412	5/8" UNC SELF LOCKING NUT		08	08	16
12	0602046013	DR 34 X 9,00 C120AF04FR2.3/16 12R		12	14	16
13	0531041580	2.1/8 X 1322 AXLE WITH NUTS		00	00	04
13A	0501210542	AXIS 2.1/8 X 1322		00	00	01
13B	0502040063	2-1/8" X 54 99 NUT		00	00	02



Item	Code	Description	See page	QT
01	0503010834	1/2 X 1 BOLT		04
02	0503010019	1/2" SPRING WASHER		04
03	0502013011	360 OSCILLATING BEARING SUPPORT (CENTRAL)		01
04	0531052835	AGRICULTURAL BEARING DM OL 360 X 2.1/8 SWING	15	01
05	0503010013	5/8 UNC G.5 ZN HEX NUT		02
06	0503010027	5/8 SPRING WASHER		02
07	0503010480	5/8" X 4.3/4" BOLT		02
08	0501210530	SWING BEARING COVER		01



Item	Code	Description	See page	QT
01	0503010117	32216 ROLLER BEARING		02
02	0502040123	MRO - 330 PORT RETAINER WITH BUSH		02
03	0503030028	JB-257 SEAL		02
04	0502040034	BEARING AXLE		01
05	0503011443	SPRING WASHER 3/8"		06
06	0503010751	C3/8" X 1.1/4" HEX BOLT G.5		06
07	0501211750	EXTERNAL DISC BACKREST 2.1/8		01
08	0501211749	INTERNAL BACKREST DISC 2.1/8		01
09	0502012772	BEARING COVER		01
10	0502013012	2.1/8" BEARING HUB		01
11	0503034044	JOINT		01
12	0503034045	JOINT		02
13	0503010856	OIL PLUG R 3/8 BSPT		02



civemasa

Technical Publications | Elaboration and Revision
LEONARDO JOSÉ DA SILVA SOUZA

www.civemasa.com.br

