

ROTARY CUTTERS

RTCOC2 2601
RTCOC2 2601

Code: 0501093795
Series: S-0516
Revision: 00
Revision Date: AUGUST/2024

PARTS
CATALOGUE

CIVEMASA

A solid orange rectangular bar is positioned at the top left of the page, above the "PRODUCTS" heading.

PRODUCTS

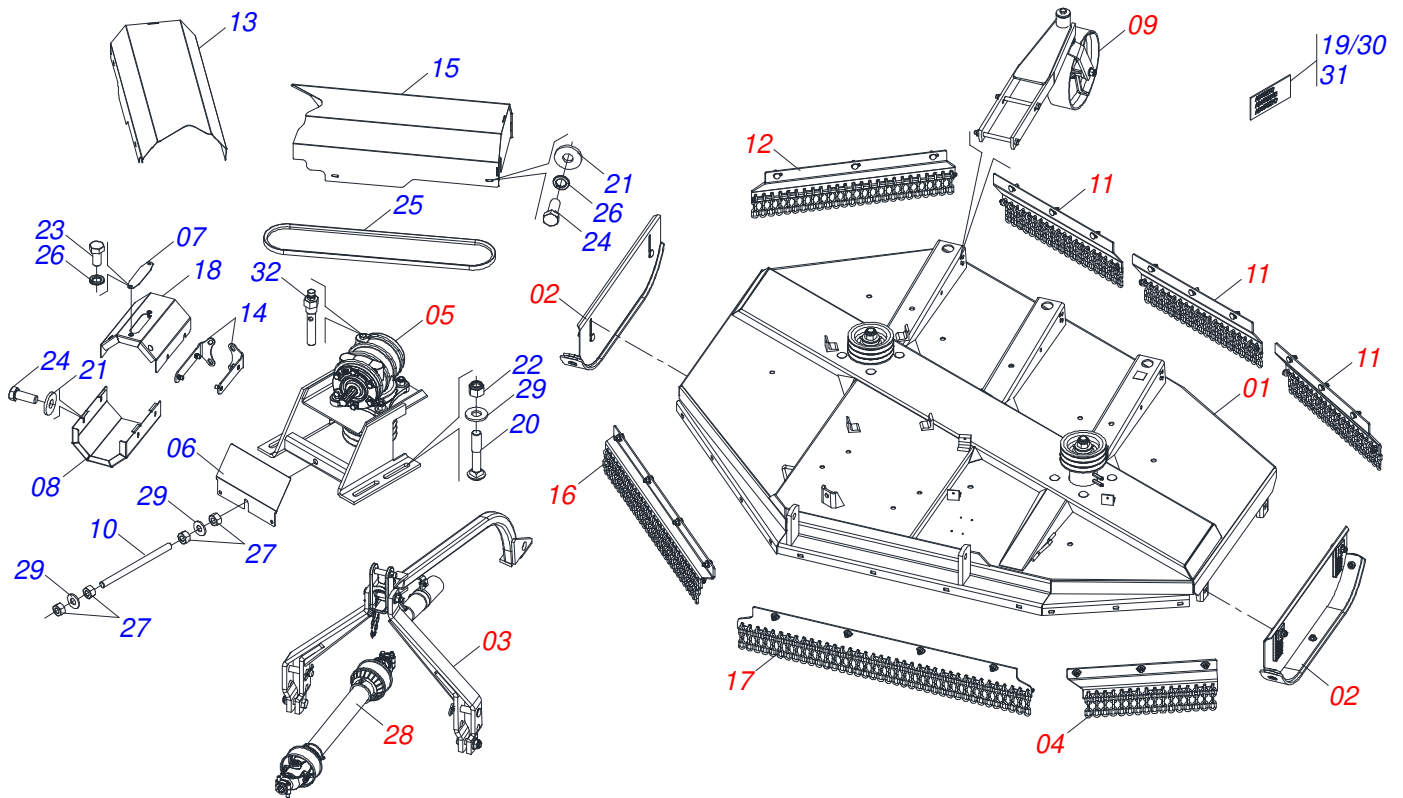
Code	Working Width	Description
0121530033		RTCOC2 2601 C/R C/PROTECAO CORRENTE S-0516
0121530033C		RTCOC2 2601 C/R C/PROTECAO CORRENTE EXP S-0516

ATTENTION: IMPORTANT

CIVEMASA reserves the right to improve and/or modify the technical features of its products, without obligation to do the same with those products already sold and without prior knowledge of the dealer or the customer. The photos are only illustrative.

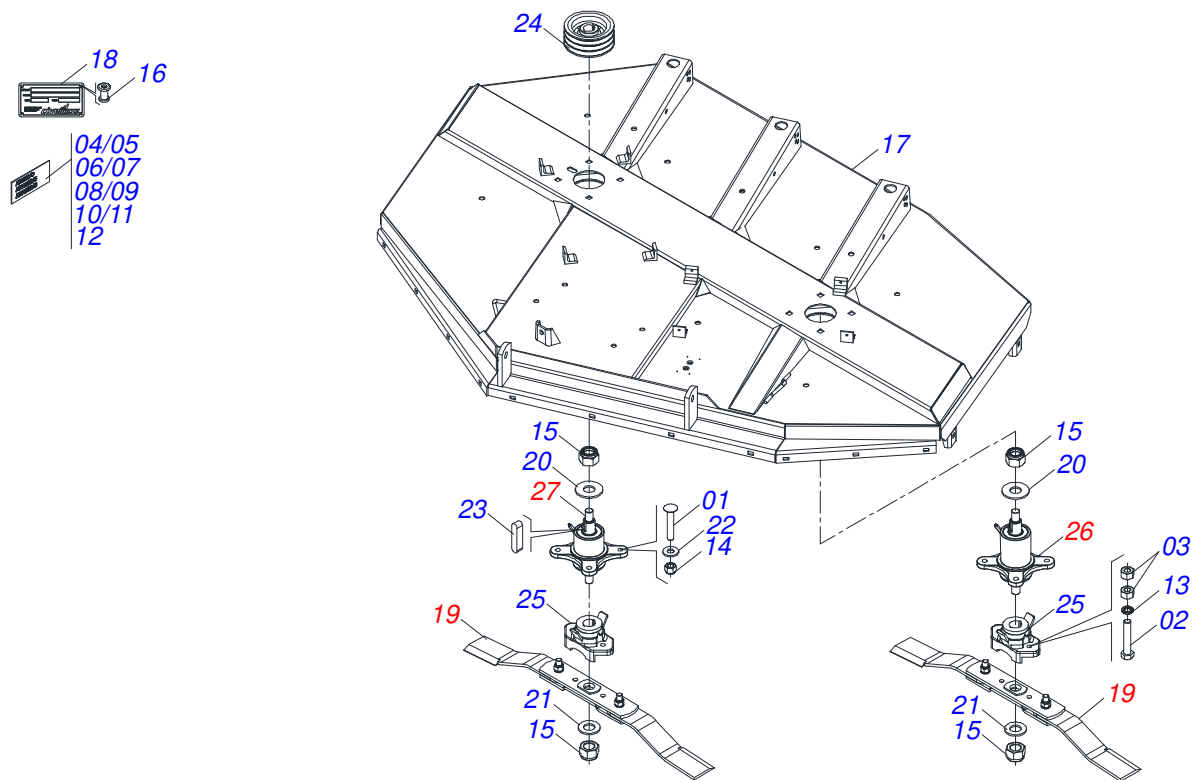
INDEX

0909097325	ASSY FRAME	1
0521059547	SEMI-ASSEMBLED FRAME	2
0501056322	SUPPORT ROTARY CUTTER BLADES	3
0511043566	ROTARY CUTTERS HUB ASSY	4
0511043567	ROTARY CUTTERS HUB ASSY	5
0909097326	SKID ASSY	6
0909097327	ASSY DRAWBAR	7
0521051838	MANUAL STORAGE TUBE ASSY	8
0501051019	MULTIPLIER	9
0501046851	MULTIPLIER	10
0511047301	CARRYING WHEELS ASSY	11
0521059529	CENTRAL FRONT CURRENT PROTECTION	12
0521059530	RIGHT FRONT CURRENT PROTECTION	13
0521059531	CURRENT PROTECTION	14
0521059532	CURRENT PROTECTION	15
0501047952	DRIVE SHAFT	16

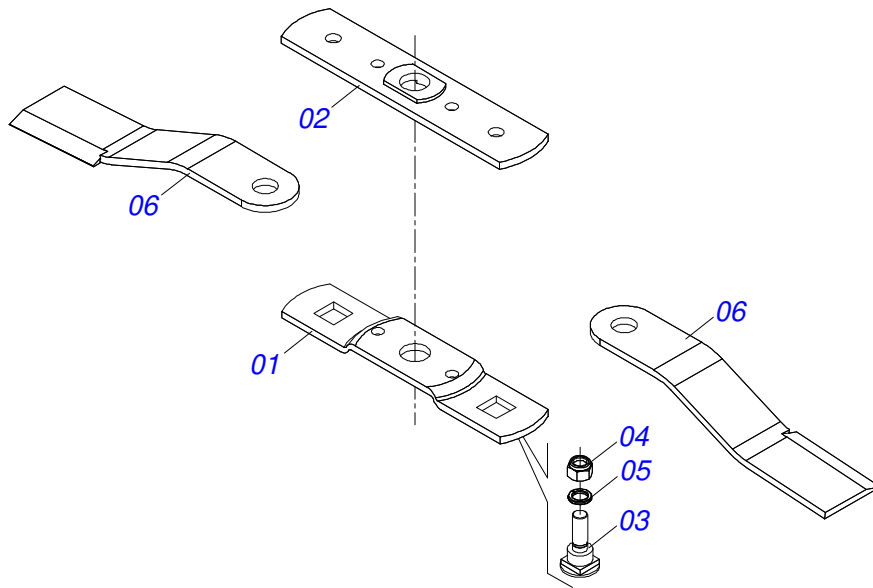


Item	Code	Description	See page	QT
01	0521059547	SEMI-ASSEMBLED FRAME	2	01
02		SKID ASSY	6	
03		ASSY DRAWBAR	7	
04	0521051444	LEFT REAR CURRENT PROTECTION		01
05	0501051019	MULTIPLIER	9	01
06	0581013061	MULTIPLIER SUPPORT PROTECTION 315		01
07	0581012546	LUBRICATION AXIS TRANSMISSION		01
08	0581011777	BODY LOWER PROTECTION COAT		01
09	0511047301	CARRYING WHEELS ASSY	11	02
10	0501013451	282 TENSIONER BODY		01
11	0521059531	CURRENT PROTECTION	14	03
12	0521059532	CURRENT PROTECTION	15	01
13	0531061455	RIGHT STRAP PROTECTION COVER		01
14	0501110996	LOWER SUPPORT COVER PROTECTION WITH RIVET		02
15	0531061449	LEFT STRAP PROTECTION COVER		01
16	0521059530	RIGHT FRONT CURRENT PROTECTION	13	01
17	0521059529	CENTRAL FRONT CURRENT PROTECTION	12	01
18	0501110998	CARDAN TOP PROTECTION COVER		01
19	0503031127	RESPIRO DECAL		01
20	0501010162	3/4" X 4" BOLT		04
21	0501010984	10,50 X 27 X 3,00 FLAT WASHER		12
22	0503011075	3/4 UNC LOCK NUT		07
23	0503010256	3/8" X 3/4" BOLT		02
24	0503010237	3/8" X 1" BOLT		12
25	0503010156	C-85 BELT		06
26	0503010025	3/8" SPRING WASHER		14
27	0503010014	3/4" ZN G.5 (HEAVY) UNC HEX NUT		04
28	0501047952	DRIVE SHAFT	16	01
29	0501010322	20,50 X 46 X 4,00 ZN FLAT WASHER		06
30	0503034247	LUBRICATION POINT DECAL		03
31	0503033647	APPROVED DECAL		01

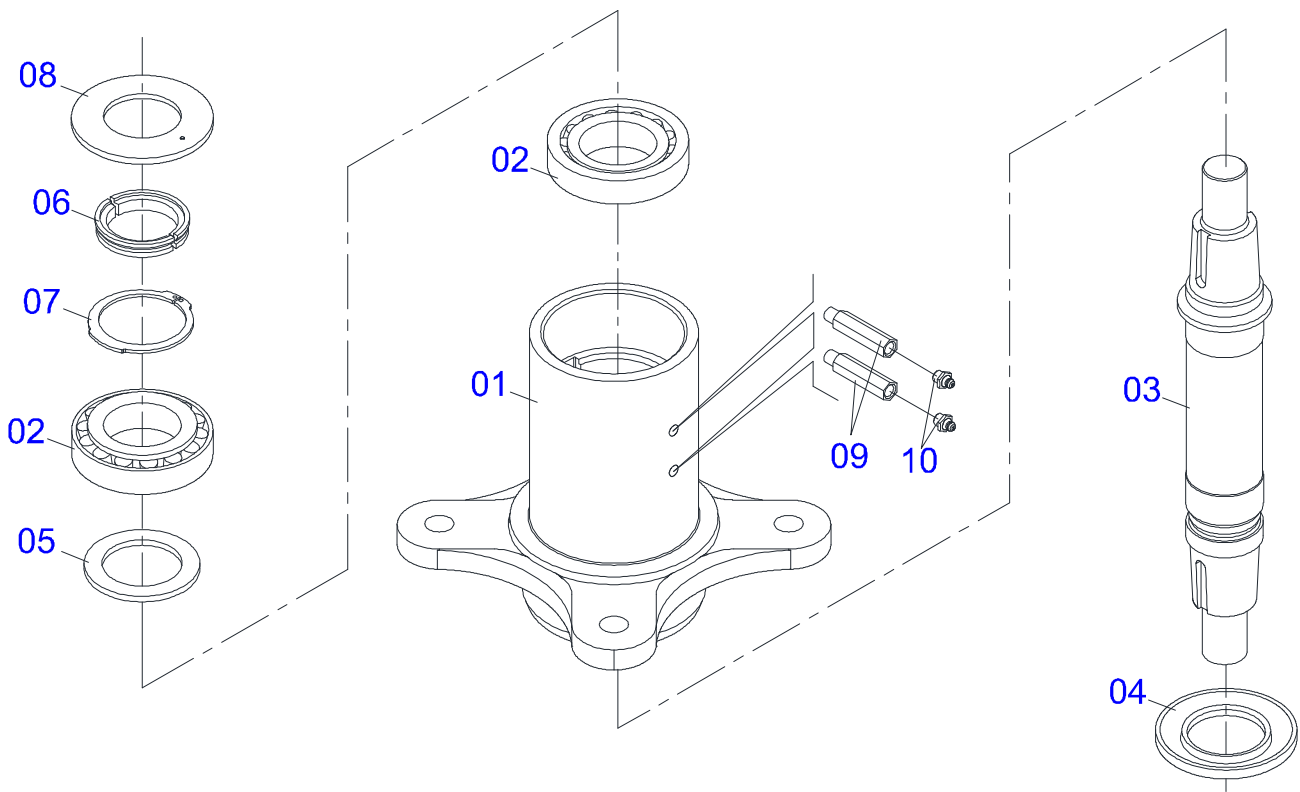
Item	Code	Description	See page	QT
32	0501110186	OIL SMALLER LEVEL INDICATOR		01



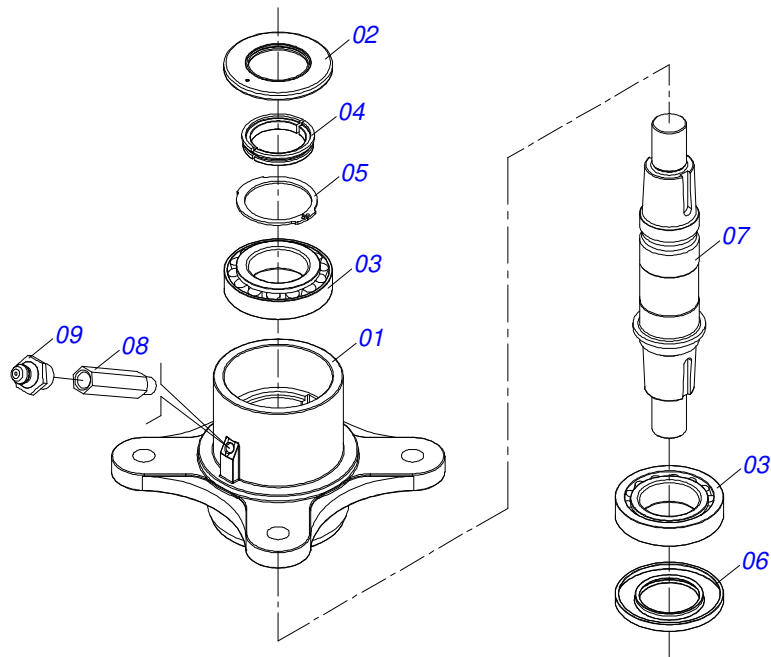
Item	Code	Description	See page	QT
01	0503013122	3/4 UNC X 4.1/4 CAPQ G.5 ZNBOLT		08
02	0503010901	3/4UNC 3.1/2 BOLT		04
03	0503010014	3/4" ZN G.5 (HEAVY) UNC HEX NUT		08
04	0503033973	RTCOC 2601 EMBLEM		01
05	0503033238	CIVEMASA LOGO DECAL		01
06	0503034078	LIFTING POINTS DECAL		04
07	0503032949	ATTENTION 3 LANGUAGES DECAL		01
08	0503032535	SIDE CARDAN DECAL		01
09	0503031931	ADHESIVE LABEL		01
10	0503031930	DANGER ROTATING BLADES DECAL		01
11	0503031428	ATTENTION READ MANUAL DECAL		01
12	0503031427	ATTENTION POWER SPOT DECAL		01
13	0503011442	3/4" SPRING WASHER		04
14	0503011075	3/4 UNC LOCK NUT		08
15	0503010817	1.1/4" SELF LOCKING NUT		04
16	0503010001	RIVET 3,2 X 5,5		04
17	0531061448	FRAME		01
18	0503034004	ALUMINUM IDENTIFICATION DECAL		01
19	0501056322	SUPPORT ROTARY CUTTER BLADES	3	02
20	0561015762	FLAT WASHER		02
21	0501017779	FLAT WASHER 32 X 60 X 4,75		02
22	0501010322	20,50 X 46 X 4,00 ZN FLAT WASHER		08
23	0501010536	KEYWAY SQUARE		08
24	0502011377	REEL 190 X 50 PULLEY		02
25	0502012453	SUPPORT FLANGE		02
26	0511043566	ROTARY CUTTERS HUB ASSY	4	01
27	0511043567	ROTARY CUTTERS HUB ASSY	5	01



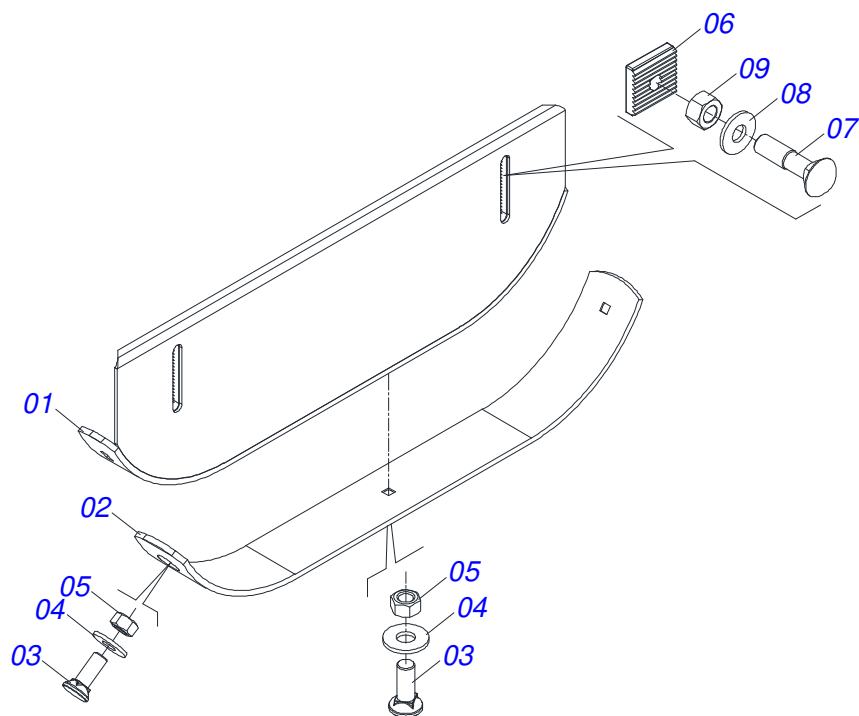
Item	Code	Description	See page	QT
01	0561017368	ROTARY LOWER SUPPORT		01
02	0561017308	SUPPORT UPPER BASE		01
03	0511019000	BOLT		02
04	0503010812	7/8" UNF SELF LOCKING NUT		02
05	0503011447	SPRING WASHER		02
06	0622400053	20.5" X 3.94" X 0.5" ROTARY CUTTER		02



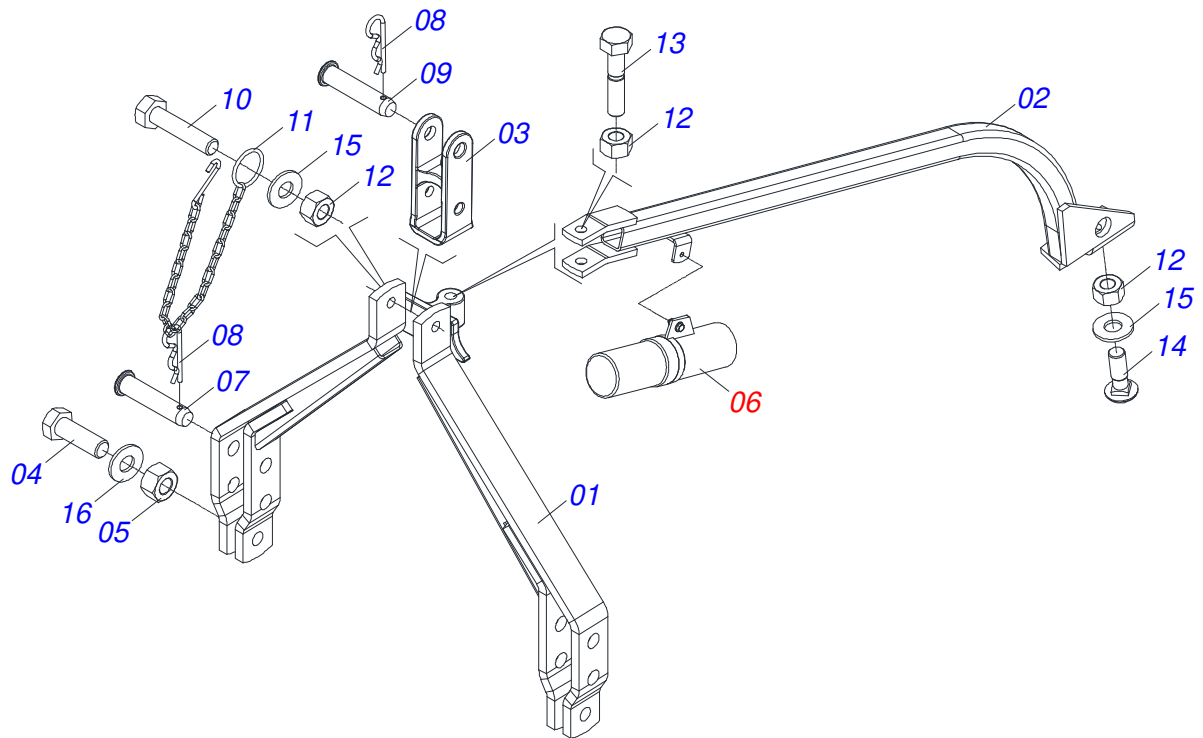
Item	Code	Description	See page	QT
01	0502012295	ROTARY CUTTERS HUB		01
02	0503012418	32211 ROLLER BEARING		02
03	0541014094	LARGER AXLE		01
04	0503013201	ARCA 6016 BRG SEAL		01
05	0541014151	FLAT WASHER		01
06	0531019302	LOCK RING		01
07	0503012311	501065 RENO RING		01
08	0503013211	6016 BRG SEAL		01
09	0501019757	EXTENSION GREASE FITTING		02
10	0503010002	1800 GREASE FITTING		02



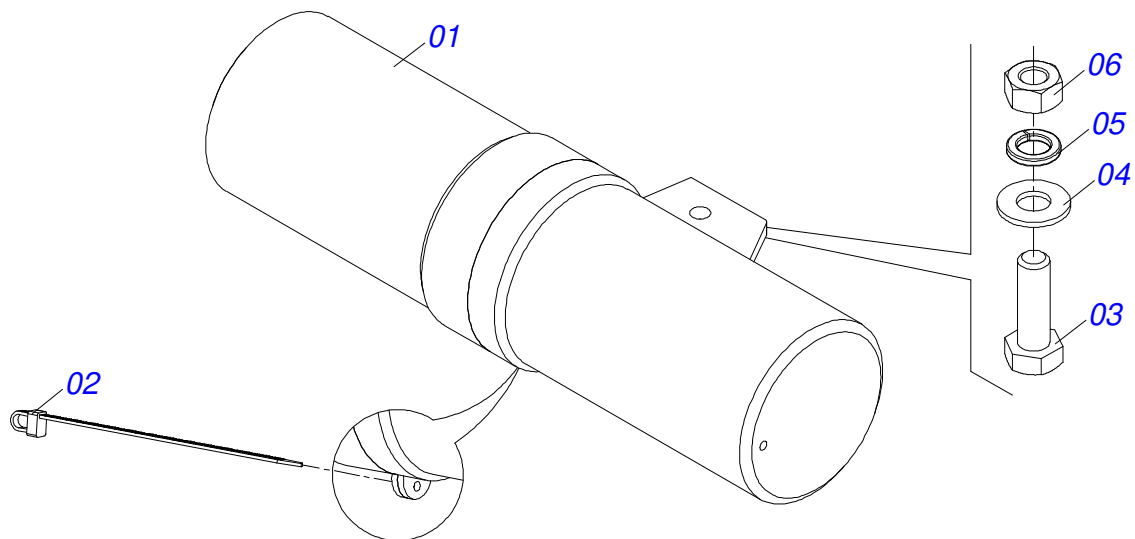
Item	Code	Description	See page	QT
01	0502012294	DROP HUB		01
02	0503013201	ARCA 6016 BRG SEAL		01
03	0503012418	32211 ROLLER BEARING		02
04	0541014445	LOCK RING		01
05	0503012311	501065 RENO RING		01
06	0503013211	6016 BRG SEAL		01
07	0541014095	ROTARY CUTTERS SMALLER AXLE		01
08	0501019757	EXTENSION GREASE FITTING		01
09	0503010002	1800 GREASE FITTING		01



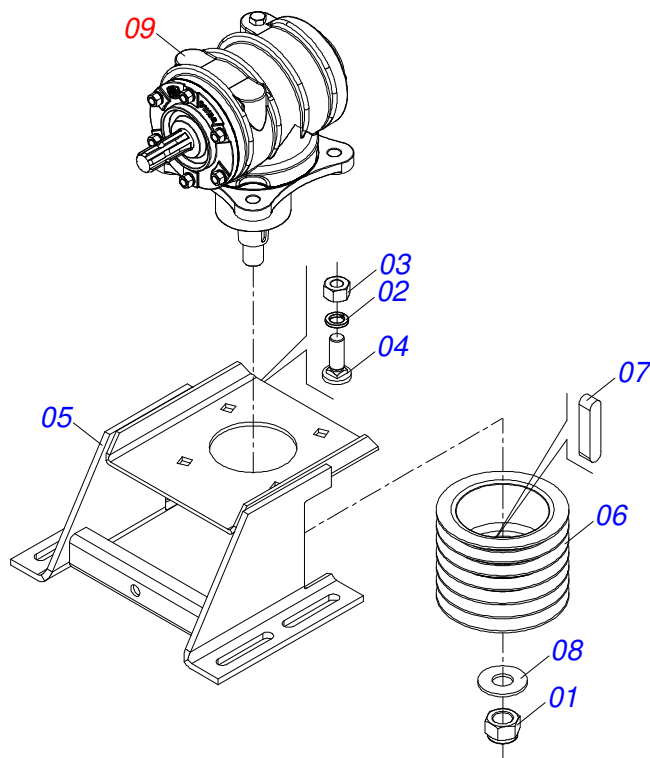
Item	Code	Description	See page	QT
01	0511064761	930 LEFT SKID		02
02	0531019436	SKID GUIDE		02
03	0503012956	1/2" X 1-1/2" BOLT		06
04	0511017302	FLAT WASHER 13,50 X 32,50 X 3,0 ZN		06
05	0503012682	1/2" BSW NUT		06
06	0502010083	SQUARE WASHER		04
07	0501014177	5/8" X 2-1/2" BOLT		04
08	0501012140	FLAT WASHER 16,50 X 40 X 4,00 ZN		04
09	0503013389	5/8" SELF LOCKING NUT		04



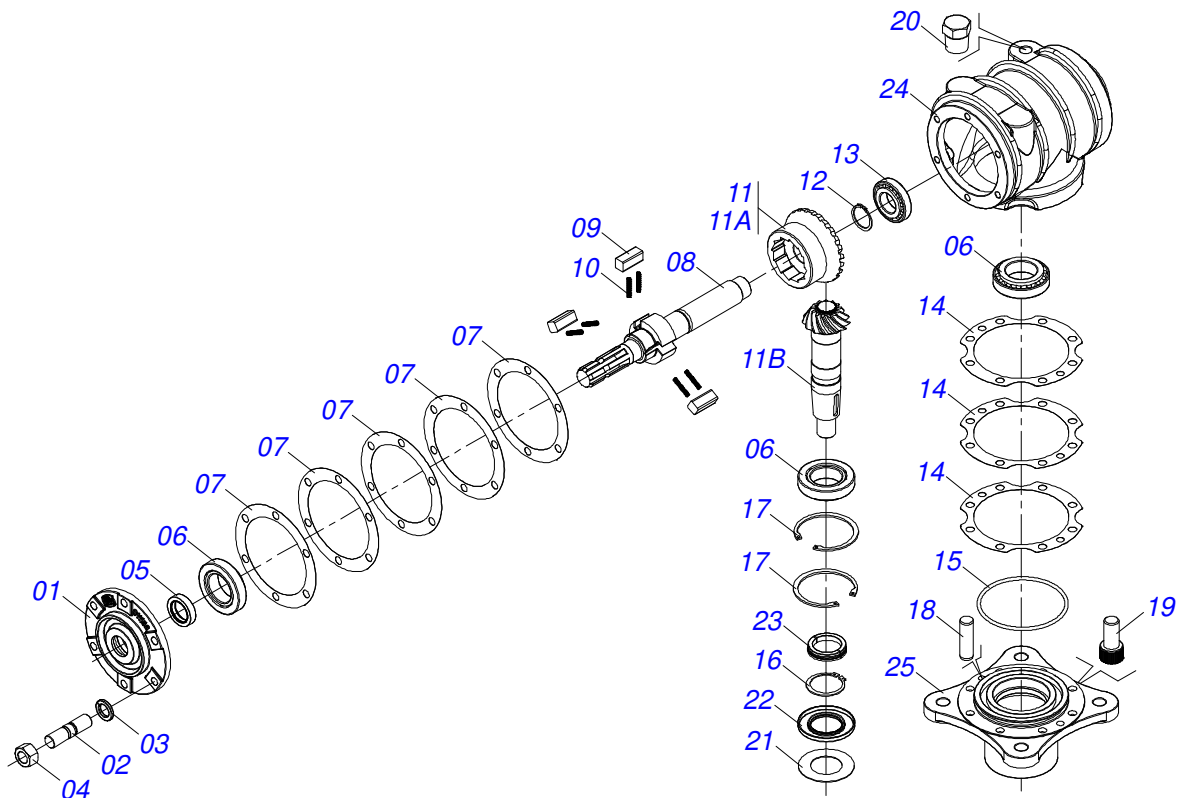
Item	Code	Description	See page	QT
01	0501066446	DRAWBAR		01
02	0521066524	ATTACHMENT BAR		01
03	1902040922	ROTARY COTTERS HEAD SUPPLEMENT		01
04	0501010171	BOLT 1 UNC X 3.1/2 C S G.5		02
05	0503014182	SELF-ADJUSTING NUT		02
06	0521051838	MANUAL STORAGE TUBE ASSY	8	01
07	0521010596	COUPLING SHAFT		02
08	0503031035	HITCH PIN CLIP		03
09	0521010578	COUPLING SHAFT		01
10	0501011545	3/4" X 6-1/2" BOLT		01
11	0503011981	17.7" CHAIN WITH HOOK/LINK		02
12	0503011075	3/4 UNC LOCK NUT		03
13	0501010216	3/4 UNC X 4.1/2 C S G.5 ZN BOLT		01
14	0501017305	3/4" X 2-1/4" BOLT		01
15	0501010322	20,50 X 46 X 4,00 ZN FLAT WASHER		03
16	0511015994	FLAT WASHER		02



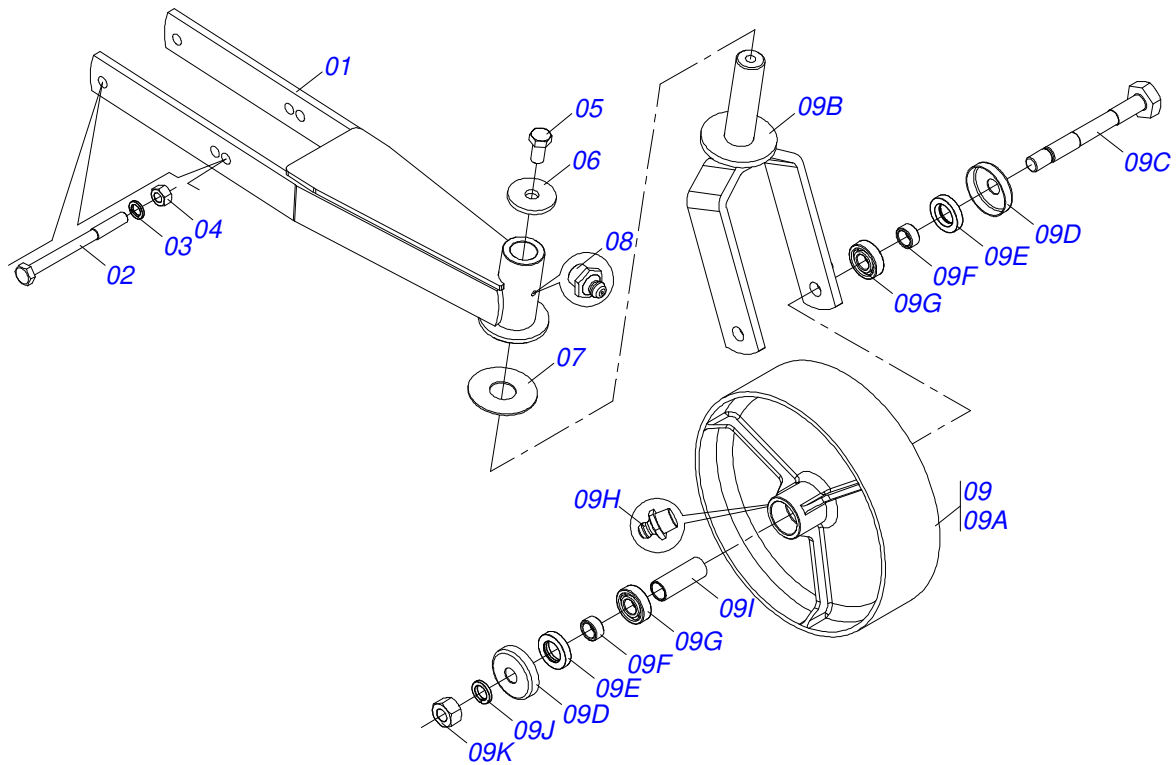
Item	Code	Description	See page	QT
01	0503060100	SUPPORT INSTRUCTION MANUAL		01
02	0503010267	NYLON CLAMP 3,60 X 1,3 X 155 MM		01
03	0503010363	BOLT 5/16 UNC X 1 C S G.2 ZN		01
04	0501010694	FLAT WASHER 8,50 X 18 X 1,50 ZN		01
05	0503010179	LOCK WASHER 5/16 ZN 1K01528		01
06	0503010337	NUT 5/16 UNC G.5 ZN		01



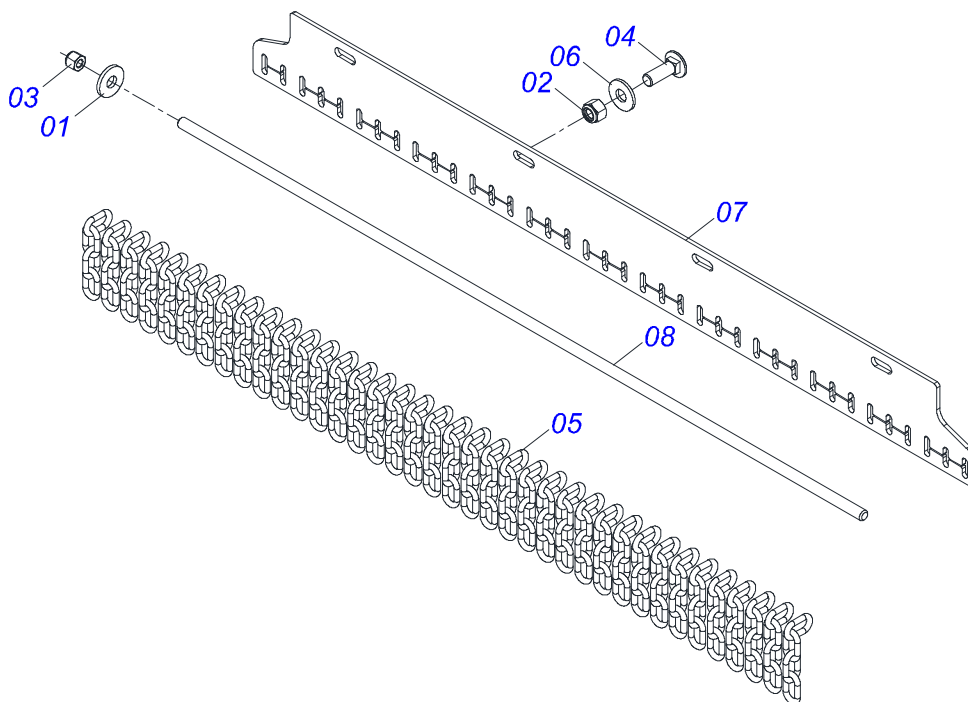
Item	Code	Description	See page	QT
01	0503010044	SELF LOCKING NUT 1.1/4 UNF G.5 ZN		01
02	0503011442	3/4" SPRING WASHER		04
03	0503010014	3/4" ZN G.5 (HEAVY) UNC HEX NUT		04
04	0511018358	3/4" X 2-1/4" 7MM BOLT		04
05	0501068059	MULTIPLIER SUPPORT		01
06	0502011378	6 REEL X 7.5" X 1.97" PULLEY		01
07	0501010536	KEYWAY SQUARE		02
08	0561015762	FLAT WASHER		01
09	0501046851	MULTIPLIER	10	01



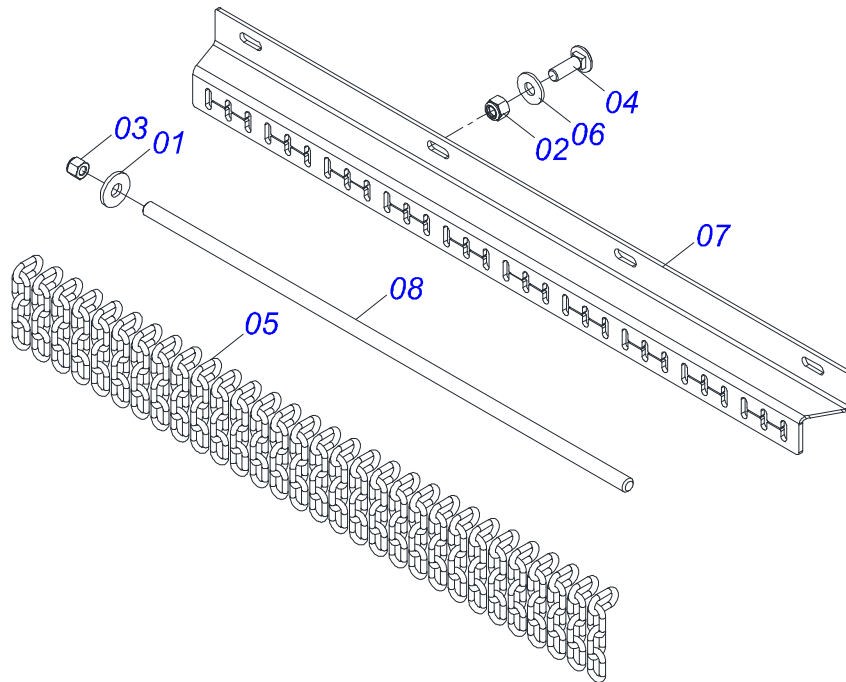
Item	Code	Description	See page	QT
01	0502011152	SMALLER COVER		01
02	0503030084	1/2" X 1/2" X 2.0" STUD		06
03	0503011440	SPRING WASHER		06
04	0503010028	1/2" NUT		06
05	0503011171	00912-BRG SEAL		01
06	0503010006	32210 ROLLER BEARING		03
07	0503030783	7.1" X 5.3" X 0.008" JOINT		05
08	0503050063	UPPER AXLE		01
09	0501010649	RATCHET CLICK		03
10	0503030051	0.2" X 1" X 0.1" COMPRESSION SPRING		06
11	0503060210	25Z CROWN/13Z PINION MLE EG-2142 SET		01
11A	0503050074	25Z CONICAL GEAR		01
11B	0503061048	PINION		01
12	0503010217	501040 CLAMPING RING (FOR AXLE)		01
13	0503010037	30207 ROLLER BEARING		01
14	0503030785	7.9" X 5.9" X 0.008" JOINT		03
15	0503010286	2-355 N 3006-9B O'RING		01
16	0503010396	501060 CLAMPING RING (FOR AXLE)		01
17	0503011190	SEAL RING		02
18	0503017877	PIN GUIDE		02
19	0503010562	1/2" X 1" BOLT		08
20	0503031604	1/2" BSP PLUG		01
21	0521018064	FLAT WASHER		01
22	0503011047	5089 SEAL		01
23	0511010142	LOCK RING		01
24	0502010984	LEFT MULTIPLIER BOX		01
25	0502011393	LOWER HUB		01



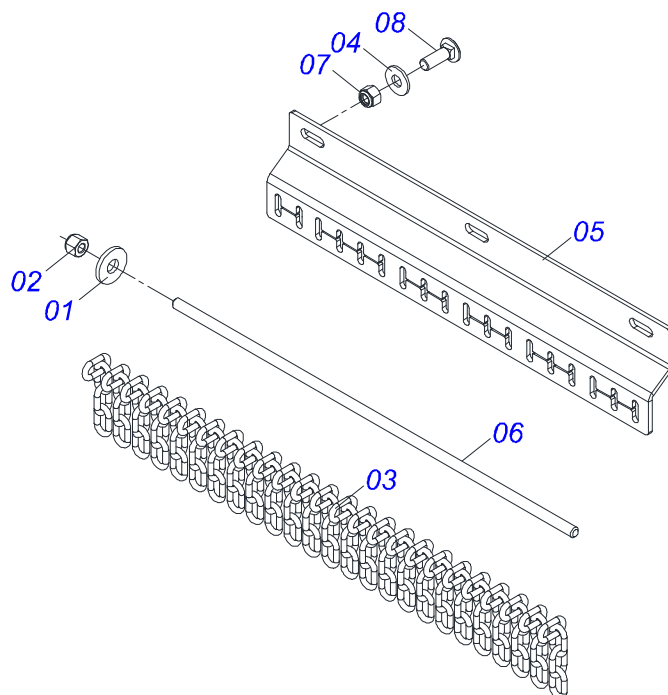
Item	Code	Description	See page	QT
01	0521065281	WHEEL SUPPORT		01
02	0503010795	5/8" X 7" BOLT		02
03	0503010027	5/8 SPRING WASHER		02
04	0503010013	5/8 UNC G.5 ZN HEX NUT		02
05	0503010962	5/8" X 1-1/4" BOLT		01
06	0511010721	FLAT WASHER		01
07	0511013239	FLAT WASHER		01
08	0503010002	1800 GREASE FITTING		01
09	0501058460	CARRYING WHEELS		01
09A	0502012519	350 X 100 WHEEL		01
09B	0501065266	WHELL FORK		01
09C	0501017143	WHEEL AXLE		01
09D	0511014254	DUST CLOAK		02
09E	0503010268	00262-B SEAL		02
09F	0521010487	SPACER WASHER		02
09G	0503010269	6204 BALL BEARING		02
09H	0503010002	1800 GREASE FITTING		01
09I	0521010460	0.9" X 1.1" X 2.9" SLEEVE		01
09J	0503011442	3/4" SPRING WASHER		01
09K	0503010014	3/4" ZN G.5 (HEAVY) UNC HEX NUT		01



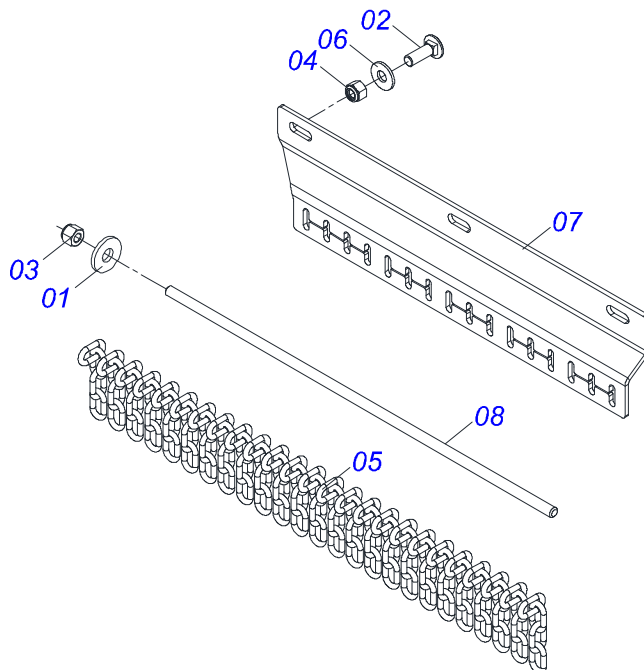
Item	Code	Description	See page	QT
01	0501010984	10,50 X 27 X 3,00 FLAT WASHER		02
02	0503010589	1/2" UNC SELF ADJUSTING NUT		04
03	0503013759	NUT		02
04	0503014378	1/2" X 1-1/2" BOLT		04
05	0511011774	8,00 CHAIN 4 LINK		38
06	0511017302	FLAT WASHER 13,50 X 32,50 X 3,0 ZN		04
07	0591015493	CENTRAL FRONT CURRENT PROTECTION BODY		01
08	0591015494	CURRENT PROTECTION BAR		01



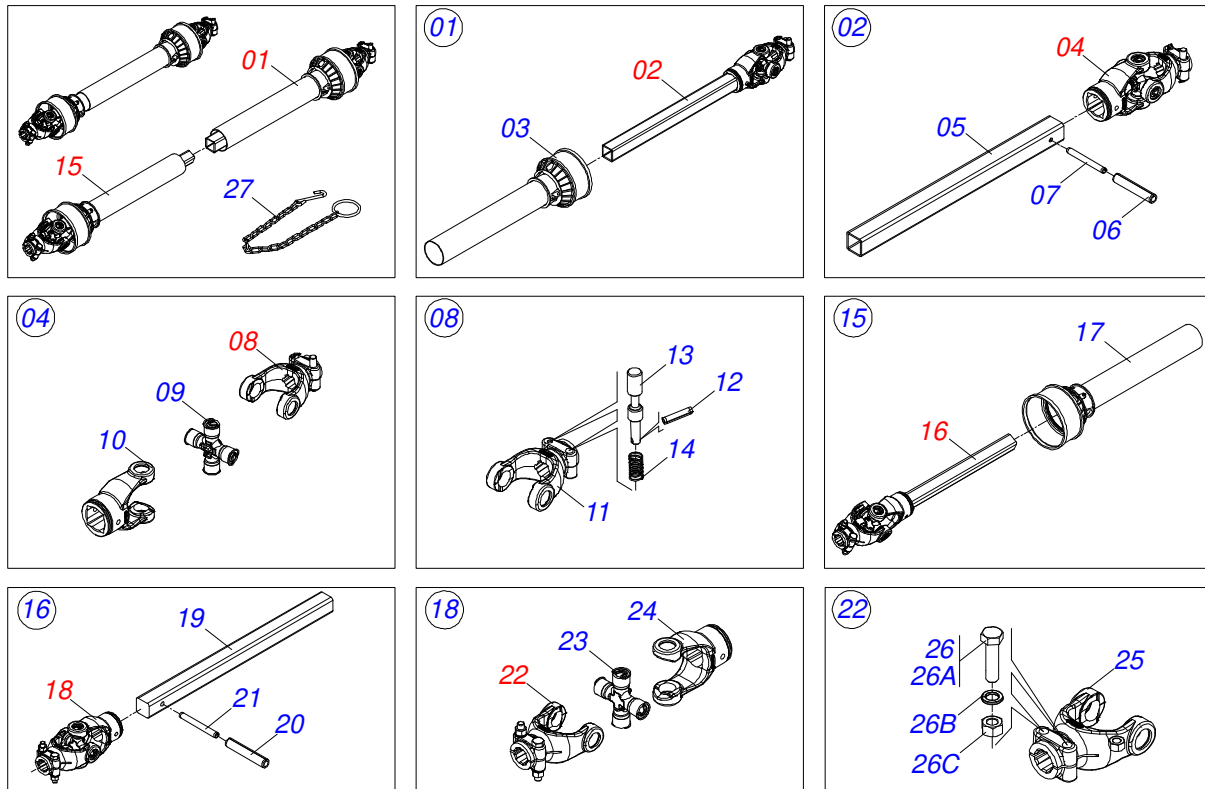
Item	Code	Description	See page	QT
01	0501010984	10,50 X 27 X 3,00 FLAT WASHER		02
02	0503010589	1/2" UNC SELF ADJUSTING NUT		04
03	0503013759	NUT		02
04	0503014378	1/2" X 1-1/2" BOLT		04
05	0511011774	8,00 CHAIN 4 LINK		30
06	0511017302	FLAT WASHER 13,50 X 32,50 X 3,0 ZN		04
07	0591015495	RIGHT FRONT CURRENT BODY PROTECTION		01
08	0591015496	CURRENT PROTECTION BAR		01



Item	Code	Description	See page	QT
01	0501010984	10,50 X 27 X 3,00 FLAT WASHER		02
02	0503013759	NUT		02
03	0511011774	8,00 CHAIN 4 LINK		20
04	0511017302	FLAT WASHER 13,50 X 32,50 X 3,0 ZN		03
05	0591015529	BODY CURRENT PROTECTION		01
06	0591015530	CURRENT PROTECTION BAR		01
07	0503010589	1/2" UNC SELF ADJUSTING NUT		03
08	0503014378	1/2" X 1-1/2" BOLT		03



Item	Code	Description	See page	QT
01	0501010984	10,50 X 27 X 3,00 FLAT WASHER		02
02	0503014378	1/2" X 1-1/2" BOLT		03
03	0503013759	NUT		02
04	0503010589	1/2" UNC SELF ADJUSTING NUT		03
05	0511011774	8,00 CHAIN 4 LINK		25
06	0511017302	FLAT WASHER 13,50 X 32,50 X 3,0 ZN		03
07	0591015531	BODY CURRENT PROTECTION		01
08	0591015532	CURRENT PROTECTION BAR		01



Item	Code	Description	See page	QT
01	0501051705	UNIVERSAL JOINT WITH SLEEVE/PROT		01
02	0501051707	UNIVERSAL JOINT WITH SLEEVE		01
03	0503012084	PROTECTION FOR UNIV JOINT AND SLEEVE		01
04	0501051708	UNIVERSAL JOINT		01
05	0511010332	23" X 1.8" SQUARE SLEEVE		01
06	0503010843	0.4" X 3.3" SPRING PIN		01
07	0503011878	0.2" X 3.3" SPRING PIN		01
08	0501050334	1-60 TERMINAL WITH QUICK HITCH		01
09	0503010837	CARDAN CROSSPIECE		01
10	0502011422	2-60 TERMINAL		01
11	0502010568	1-60 STRIATED 1.3/8" TERMINAL		01
12	0503010838	0.1" X 0.8" SPRING PIN		02
13	0503037375	PIN QUICK COUPLING		02
14	0503030518	0.5"X1.0"X 0.1" COMPRESSION SPRING		02
15	0501051706	UNIVERSAL JOINT WITH AXLE/PROT		01
16	0501051709	UNIVERSAL JOINT WITH SHAFT		01
17	0503012085	PROTECTION FOR UNIV JOINT AND AXLE		01
18	0501051710	UNIVERSAL JOINT		01
19	0511010326	1.4" X 23" SQUARE SHAFT		01
20	0503011069	0.4" X 2.8" SPRING PIN		01
21	0503011805	0.2" X 2.8" SPRING PIN		01
22	0501052516	T6-60 TERMINAL WITH SCREW		01
23	0503010837	CARDAN CROSSPIECE		01
24	0502011424	3-60 TERMINAL		01
25	0502010830	6-60 STRIATED 1.3/8" TERMINAL		01
26	0501047756	1/2" X 3" SET PARTS		02
26a	0503010479	BOLT		01
26b	0503010019	1/2" SPRING WASHER		01
26c	0503010060	1/2 UNC G.5 ZN HEX NUT		01
27	0503012023	CHAIN FOR PROTECTION		02



civemasa

Technical Publications | Elaboration and Revision
ALESSANDRA PATRICIA KAWAHARA CARRILI

www.civemasa.com.br

