

DISK PLOW

**AACR-CA
AACR-CA**

Code: 0501093791
Series: S-0523
Revision: 00
Revision Date: MAY/2024

PARTS CATALOGUE

CIVEMASA

A solid orange horizontal bar is positioned at the top left of the page, above the "PRODUCTS" heading.

PRODUCTS

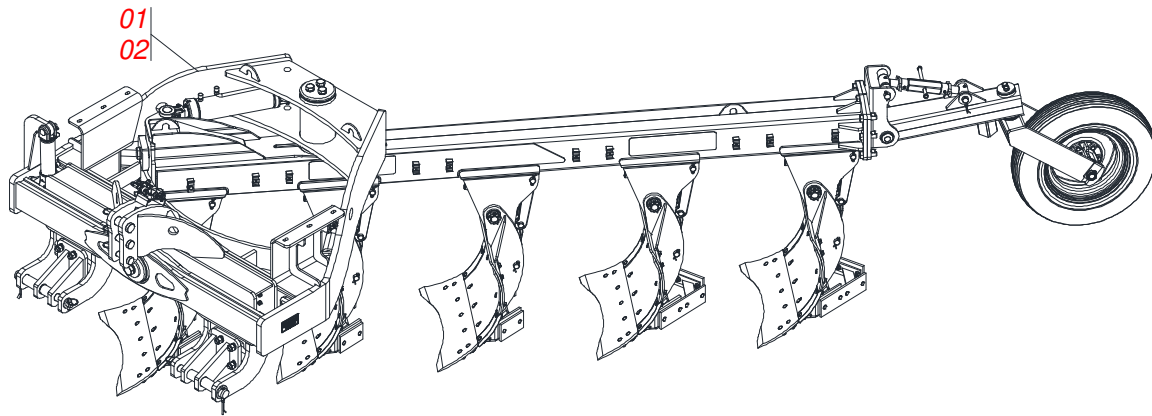
Code	Working Width	Description
0120630019		AACR - CA 6/5 S-0523
0120630018		AACR - CA 6/6 S-0523

ATTENTION: IMPORTANT

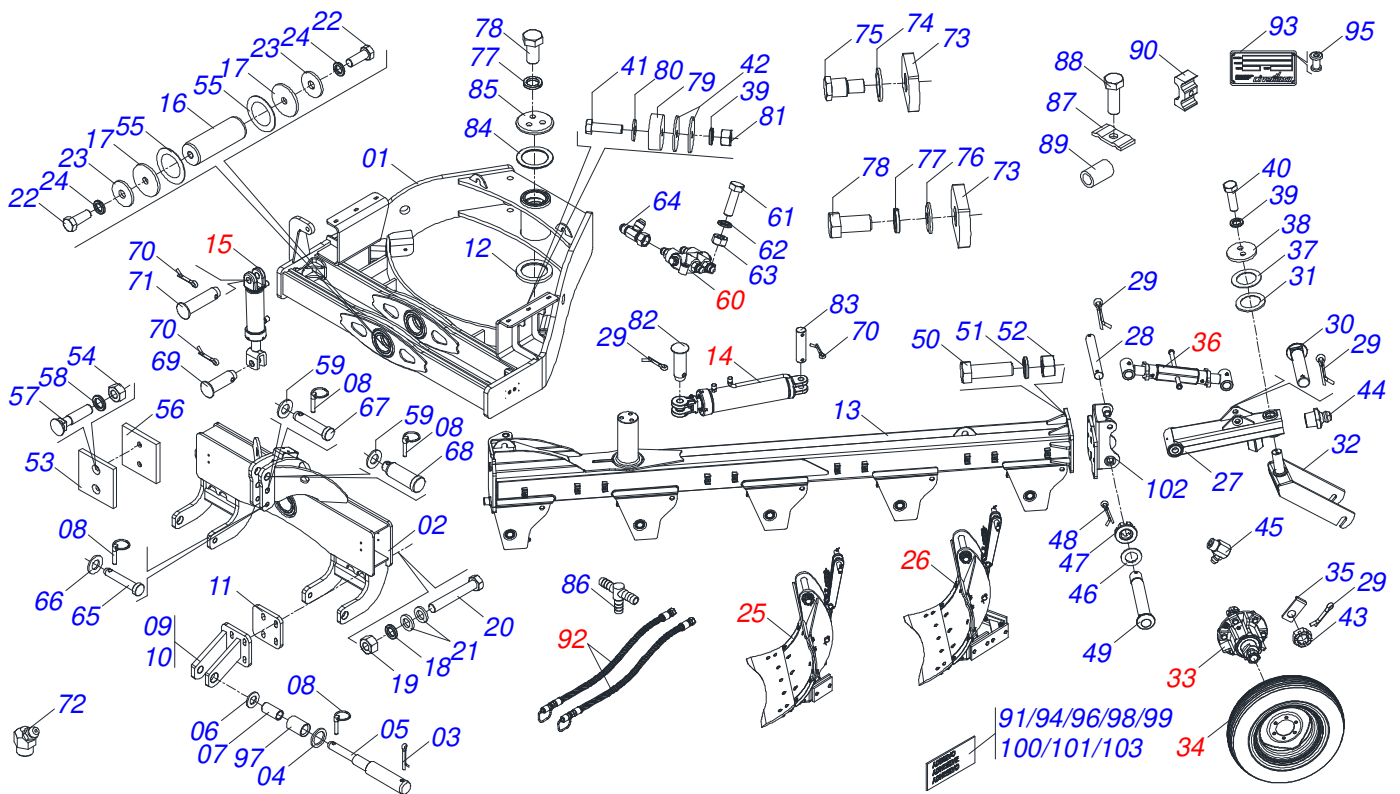
CIVEMASA reserves the right to improve and/or modify the technical features of its products, without obligation to do the same with those products already sold and without prior knowledge of the dealer or the customer. The photos are only illustrative.

INDEX

0909093287	AACR-CA	1
0531044975	FRAME ASSY - 6/5	2
0531044972	FRAME ASSY - 6/6	3
0511058420	50,80 X 101,60 X 625 X 330 HYDRAULIC CYLINDER	4
0511058581	38,10 X 63,50 X 360 X 126 HYDRAULIC CYLINDER	5
0531059854	MOLDBOARD FRONT ASSY	6
0531059853	REAR MOLDBOARD ASSY	7
0501052245	WHEEL WITHOUT TIRE	8
0503060094	WHEEL AND TIRE ASSY	9
0501047699	ESTABILIZER ASSY	10
0501044080	RETAINING VALVE	11
0531059884	HOSE SET	12



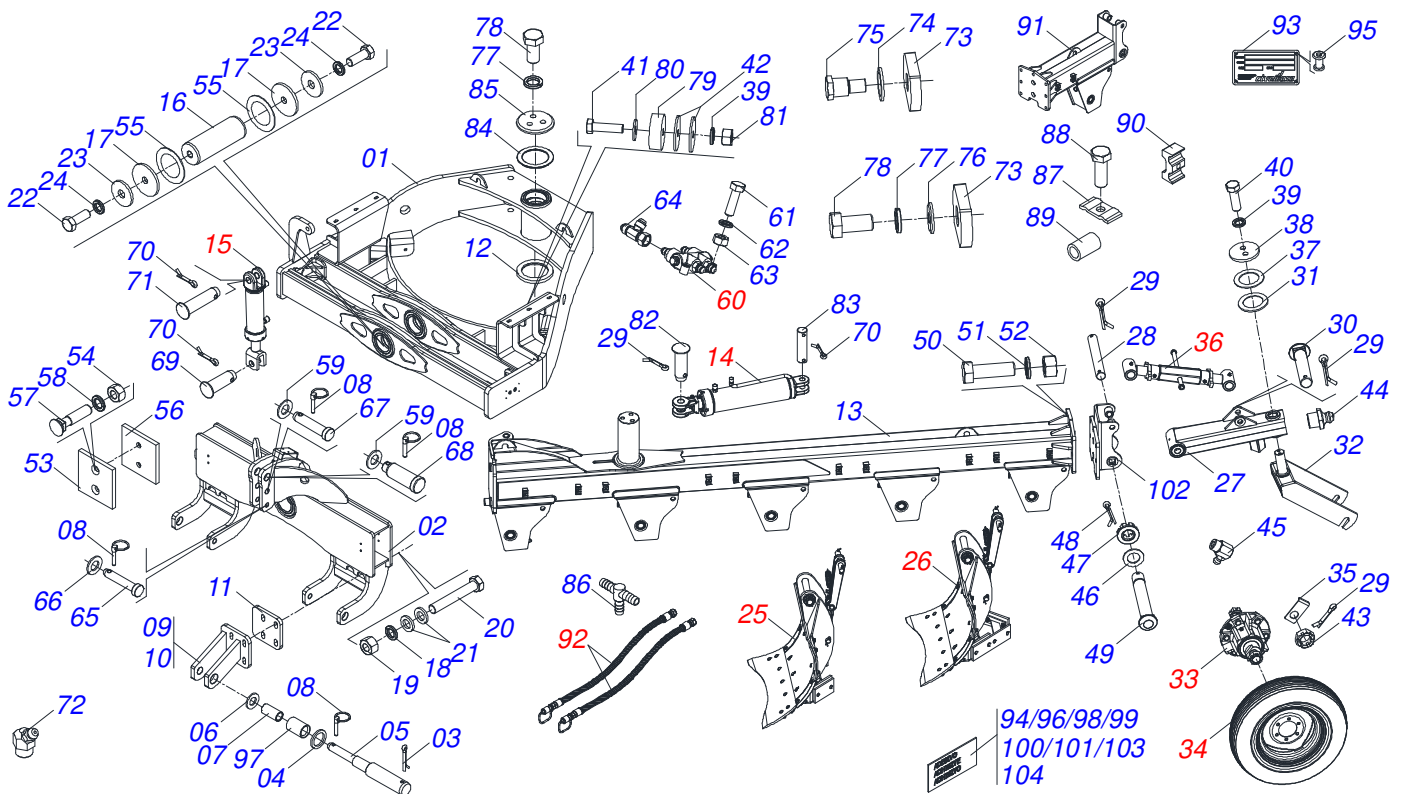
Item	Code	Description	See page	QT
1	0531044975	FRAME ASSY - 6/5	2	01
2	0531044972	FRAME ASSY - 6/6	3	01



Item	Code	Description	See page	QT
001	0531066034	DRAWBAR		01
002	0531066069	HITCH BAR		01
003	0503010073	3/8" X 3.1/2" SPLIT PIN		02
004	0511019776	FLAT WASHER		02
005	0501311179	LOWER HITCH SHAFT		02
006	0511017480	FLAT WASHER		02
007	0501311178	BUSHING 29,20 X 36,70 X 73		02
008	0503030430	7/16 X 2" PIN LOCK		05
009	0531066074	LEFT ADJUSTABLE EAR		01
010	0531066073	RIGHT ADJUSTABLE EAR		01
011	0501311175	ADJUSTABLE EAR PLATE		02
012	0521014041	SPACING BUSHING AXLE 127,50 X 175 X 16		01
013	0531066077	FRAME		01
014	0511058420	50,80 X 101,60 X 625 X 330 HYDRAULIC CYLINDER	4	01
015	0511058581	38,10 X 63,50 X 360 X 126 HYDRAULIC CYLINDER	5	01
016	0501311174	ARTICULATION AXLE 374		01
017	0501311294	FLAT WASHER 33 X 160 X 12.50		02
018	0503010023	3/4" SPRING WASHER		08
019	0503010014	3/4" ZN G.5 (HEAVY) UNC HEX NUT		08
020	0503012729	3/4" X 6-3/4" BOLT		08
021	0511015255	FLAT WASHER		16
022	0503012239	1-1/4" X 3-1/4" BOLT		02
023	0511014438	FLAT WASHER		02
024	0503010070	SPRING WASHER		02
025	0531059854	MOLDBOARD FRONT ASSY	6	03
026	0531059853	REAR MOLDBOARD ASSY	7	02
027	0511069625	ARM FIXER CARRYING-WHEELS		01
028	0521014216	COUPLING SHAFT		01
029	0503010523	1/4 X 2 SPLIT PIN		06
030	0521014092	AXLE LOCK		01
031	0521014023	MIDDLEMAN FLANGE		01
032	0511060365	CARRYING WHEELS FIXER		01

Item	Code	Description	See page	QT
033	0501052245	WHEEL WITHOUT TIRE	8	01
034	0503060094	WHEEL AND TIRE ASSY	9	01
035	0531015109	WHEEL AXLE LOCK		02
036	0501047699	ESTABILIZER ASSY	10	01
037	0521014024	WASHER SPACER		01
038	0521014014	REAR FIXER FLANGE		01
039	0503010027	5/8 SPRING WASHER		04
040	0501010100	BOLT 5/8" UNC X 2 CS G.5 ZN		02
041	0503010899	5/8 UNC X 2.1/4 BOLT		02
042	0571013284	17,50 X 90 X 4,75 FLAT WASHER		04
043	0503011052	1.1/4" X 0.77" CASTLE NUT		02
044	0503010002	1800 GREASE FITTING		01
045	0503010004	1890 GREASE FITTING		01
046	0501012916	FLAT WASHER 40 X 66 X 4,75 ZN		01
047	0501011301	1.1/2" UNC 6FPP 2.5/16" NUT		01
048	0503010010	1/4" X 2.1/2" SPLIT PIN		01
049	0561018588	COUPLING SHAFT		01
050	0503012419	7/8" X 2-3/4" BOLT		07
051	0503010408	7/8" SPRING WASHER		07
052	0503011066	7/8" NUT		07
053	0511011591	4.0" X 4.0" PLATE		04
054	0503010244	7/16" NUT		08
055	0501311173	FLAT WASHER 110 X 165 X 3.00 ZN		02
056	0501311172	SUPPORT 110 X 110 X 8,00		04
057	0501013621	7/16 UNC X 2 C E G.2 ZN BOLT		08
058	0503010180	7/16" SPRING WASHER		09
059	0501017779	FLAT WASHER 32 X 60 X 4,75		02
060	0501044080	RETAINING VALVE	11	01
061	0503010421	5/16" X 1-1/2" BOLT		03
062	0503010179	LOCK WASHER 5/16 ZN 1K01528		03
063	0503010337	NUT 5/16 UNC G.5 ZN		03
064	0503011968	NUT 3/4" 8R6X-S T ADAPTER WITH SWIVEL		02
065	0501311170	JOINT AXIS 120 X 25.40		01
066	0501010690	FLAT WASHER 26 X 58 X 4,75		01
067	0501311171	UPPER HITCH SHAFT 142 X 31.80		01
068	0501311169	HITCH SHAFT UPPER (CATEGORY IV)		01
069	0521010572	0.9" X 2.9" COUPLING SHAFT		01
070	0503010571	1/4" X 1.1/2" SPLIT PIN		04
071	0521010575	C0.9" X 3.3" COUPLING SHAFT		01
072	0503010003	1845 GREASE FITTING		02
073	0561018251	REVERSIBLE GUIDE		02
074	0521015614	FLAT WASHER		01
075	0561018267	GUIDE FASTENER		01
076	0521014196	FLAT WASHER		01
077	0503010012	1" SPRING WASHER		04
078	0503010953	BOLT 1 UNC X 2 C S G.5 ZN		04
079	0521011481	FRAME BATTERY		02
080	0571010265	16,50 X 40 X 3,00 ZN FLAT WASHER		02
081	0503010013	5/8 UNC G.5 ZN HEX NUT		02
082	0521012538	1.2" X 3.5" COUPLING SHAFT		01
083	0521010777	0.9" X 3.7" COUPLING SHAFT		01
084	0521014197	FLAT WASHER		01
085	0521014022	UPPER FLANGE		01
086	0503015383	UNION		02
087	0531011180	SUPPORT		01
088	0503011338	BOLT 7/16" UNC X 1" CS G.5 ZN		01
089	0503035150	HOSE WINDFOOT		01
090	0502012701	LOWER BODY CLIP		01
091	0503031739	DANGER DECAL		01
092	0531059884	HOSE SET	12	01
093	0503034004	ALUMINUM IDENTIFICATION DECAL		01

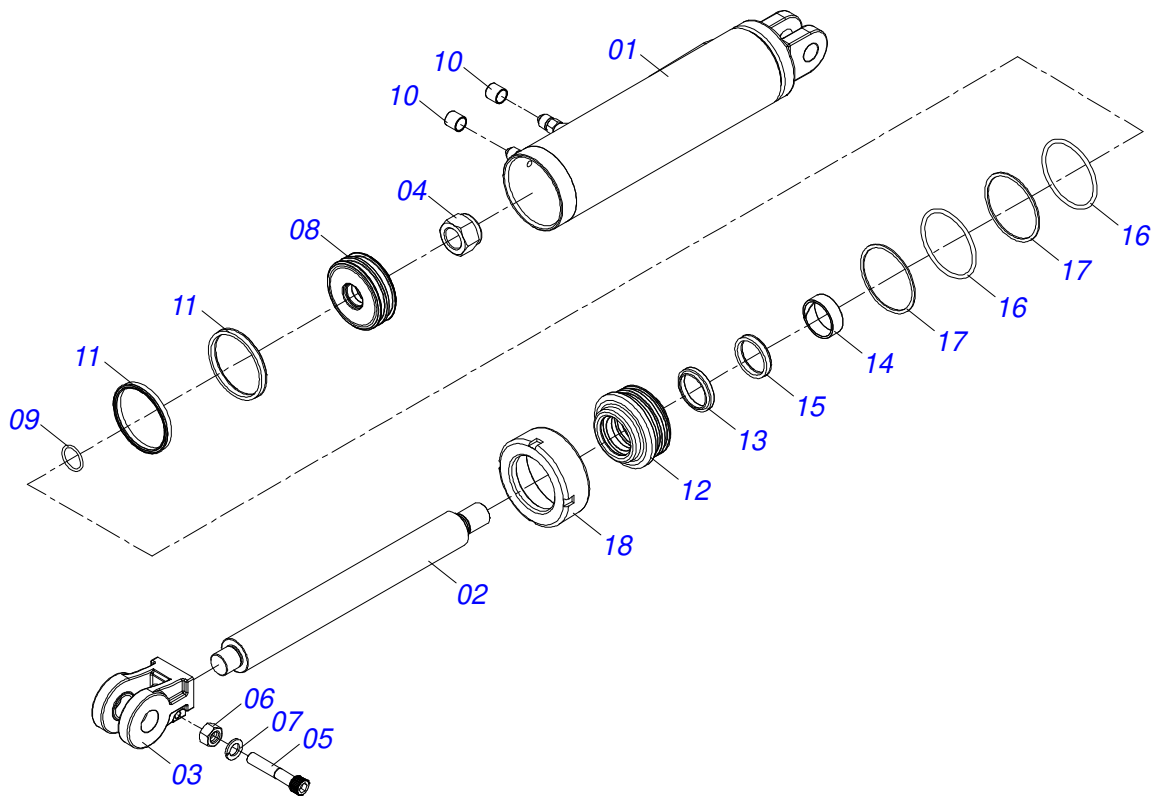
Item	Code	Description	See page	QT
094	0503035929	ADHESIVE AACR - CA		02
095	0503010001	RIVET 3,2 X 5,5		04
096	0503033238	CIVEMASA LOGO DECAL		02
097	0501311619	BUSHING 36,7 X 50 X 70		02
098	0503031428	ATTENTION READ MANUAL DECAL		01
099	0503031827	DAILY LUBRICATION AND RETIGHTENING DECAL		01
100	0503034078	LIFTING POINTS DECAL		02
101	0503031565	CAUTION TRANSPORTATION DECAL		01
102	0521060973	SUPPORT FIXER ARM REAR CARRYING-WHEELS		01
103	0503033647	APPROVED DECAL		01



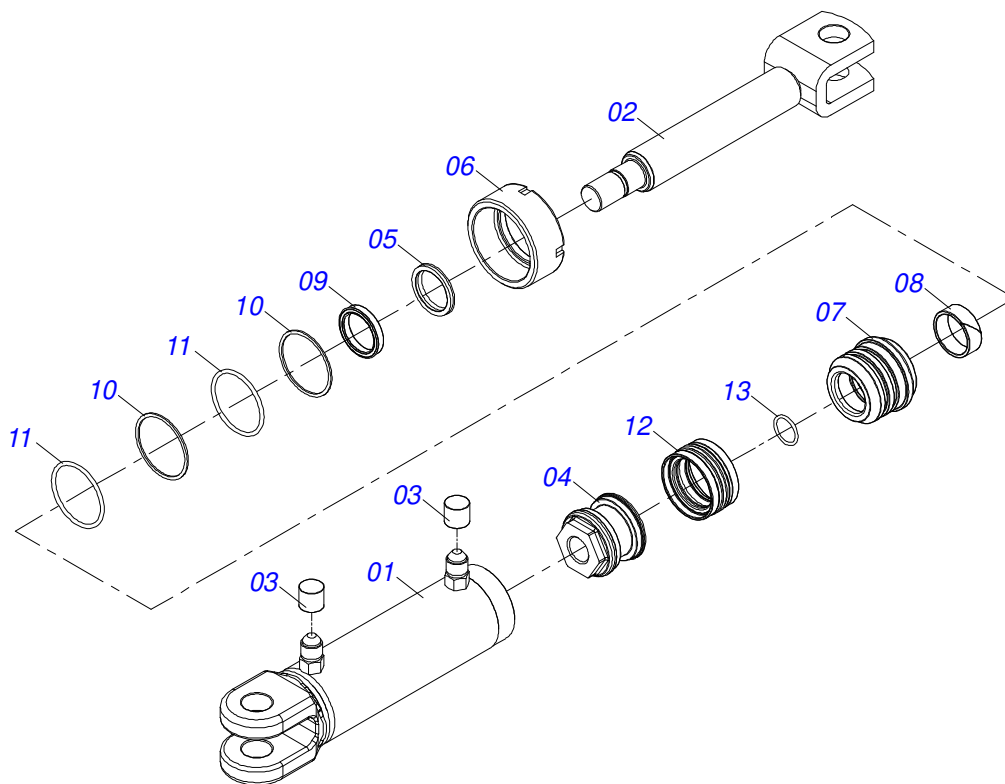
Item	Code	Description	See page	QT
001	0531066034	DRAWBAR		01
002	0531066069	HITCH BAR		01
003	0503010073	3/8" X 3.1/2" SPLIT PIN		02
004	0511019776	FLAT WASHER		02
005	0501311179	LOWER HITCH SHAFT		02
006	0511017480	FLAT WASHER		02
007	0501311178	BUSHING 29,20 X 36,70 X 73		02
008	0503030430	7/16 X 2" PIN LOCK		05
009	0531066074	LEFT ADJUSTABLE EAR		01
010	0531066073	RIGHT ADJUSTABLE EAR		01
011	0501311175	ADJUSTABLE EAR PLATE		02
012	0521014041	SPACING BUSHING AXLE 127,50 X 175 X 16		01
013	0531066077	FRAME		01
014	0511058420	50,80 X 101,60 X 625 X 330 HYDRAULIC CYLINDER	4	01
015	0511058581	38,10 X 63,50 X 360 X 126 HYDRAULIC CYLINDER	5	01
016	0501311174	ARTICULATION AXLE 374		01
017	0501311294	FLAT WASHER 33 X 160 X 12.50		02
018	0503010023	3/4" SPRING WASHER		08
019	0503010014	3/4" ZN G.5 (HEAVY) UNC HEX NUT		08
020	0503012729	3/4" X 6-3/4" BOLT		08
021	0511015255	FLAT WASHER		16
022	0503012239	1-1/4" X 3-1/4" BOLT		02
023	0511014438	FLAT WASHER		02
024	0503010070	SPRING WASHER		02
025	0531059854	MOLDBOARD FRONT ASSY	6	04
026	0531059853	REAR MOLDBOARD ASSY	7	02
027	0511069625	ARM FIXER CARRYING-WHEELS		01
028	0521014216	COUPLING SHAFT		01
029	0503010523	1/4 X 2 SPLIT PIN		06
030	0521014092	AXLE LOCK		01
031	0521014023	MIDDLEMAN FLANGE		01
032	0511060365	CARRYING WHEELS FIXER		01

Item	Code	Description	See page	QT
033	0501052245	WHEEL WITHOUT TIRE	8	01
034	0503060094	WHEEL AND TIRE ASSY	9	01
035	0531015109	WHEEL AXLE LOCK		02
036	0501047699	ESTABILIZER ASSY	10	01
037	0521014024	WASHER SPACER		01
038	0521014014	REAR FIXER FLANGE		01
039	0503010027	5/8 SPRING WASHER		04
040	0501010100	BOLT 5/8" UNC X 2 CS G.5 ZN		02
041	0503010899	5/8 UNC X 2.1/4 BOLT		02
042	0571013284	17,50 X 90 X 4,75 FLAT WASHER		04
043	0503011052	1.1/4" X 0.77" CASTLE NUT		02
044	0503010002	1800 GREASE FITTING		01
045	0503010004	1890 GREASE FITTING		01
046	0501012916	FLAT WASHER 40 X 66 X 4,75 ZN		01
047	0501011301	1.1/2" UNC 6FPP 2.5/16" NUT		01
048	0503010010	1/4" X 2.1/2" SPLIT PIN		01
049	0561018588	COUPLING SHAFT		01
050	0503012419	7/8" X 2-3/4" BOLT		07
051	0503010408	7/8" SPRING WASHER		07
052	0503011066	7/8" NUT		07
053	0511011591	4.0" X 4.0" PLATE		04
054	0503010244	7/16" NUT		08
055	0501311173	FLAT WASHER 110 X 165 X 3.00 ZN		02
056	0501311172	SUPPORT 110 X 110 X 8,00		04
057	0501013621	7/16 UNC X 2 C E G.2 ZN BOLT		08
058	0503010180	7/16" SPRING WASHER		09
059	0501017779	FLAT WASHER 32 X 60 X 4,75		02
060	0501044080	RETAINING VALVE	11	01
061	0503010421	5/16" X 1-1/2" BOLT		03
062	0503010179	LOCK WASHER 5/16 ZN 1K01528		03
063	0503010337	NUT 5/16 UNC G.5 ZN		03
064	0503011968	NUT 3/4" 8R6X-S T ADAPTER WITH SWIVEL		02
065	0501311170	JOINT AXIS 120 X 25.40		01
066	0501010690	FLAT WASHER 26 X 58 X 4,75		01
067	0501311171	UPPER HITCH SHAFT 142 X 31.80		01
068	0501311169	HITCH SHAFT UPPER (CATEGORY IV)		01
069	0521010572	0.9" X 2.9" COUPLING SHAFT		01
070	0503010571	1/4" X 1.1/2" SPLIT PIN		04
071	0521010575	C0.9" X 3.3" COUPLING SHAFT		01
072	0503010003	1845 GREASE FITTING		02
073	0561018251	REVERSIBLE GUIDE		02
074	0521015614	FLAT WASHER		01
075	0561018267	GUIDE FASTENER		01
076	0521014196	FLAT WASHER		01
077	0503010012	1" SPRING WASHER		04
078	0503010953	BOLT 1 UNC X 2 C S G.5 ZN		04
079	0521011481	FRAME BATTERY		02
080	0571010265	16,50 X 40 X 3,00 ZN FLAT WASHER		02
081	0503010013	5/8 UNC G.5 ZN HEX NUT		02
082	0521012538	1.2" X 3.5" COUPLING SHAFT		01
083	0521010777	0.9" X 3.7" COUPLING SHAFT		01
084	0521014197	FLAT WASHER		01
085	0521014022	UPPER FLANGE		01
086	0503015383	UNION		02
087	0531011180	SUPPORT		01
088	0503011338	BOLT 7/16" UNC X 1" CS G.5 ZN		01
089	0503035150	HOSE WINDFOOT		01
090	0502012701	LOWER BODY CLIP		01
091	0531066076	ADAPTER FOR TRANSFORMATION		01
092	0531059884	HOSE SET	12	01
093	0503034004	ALUMINUM IDENTIFICATION DECAL		01

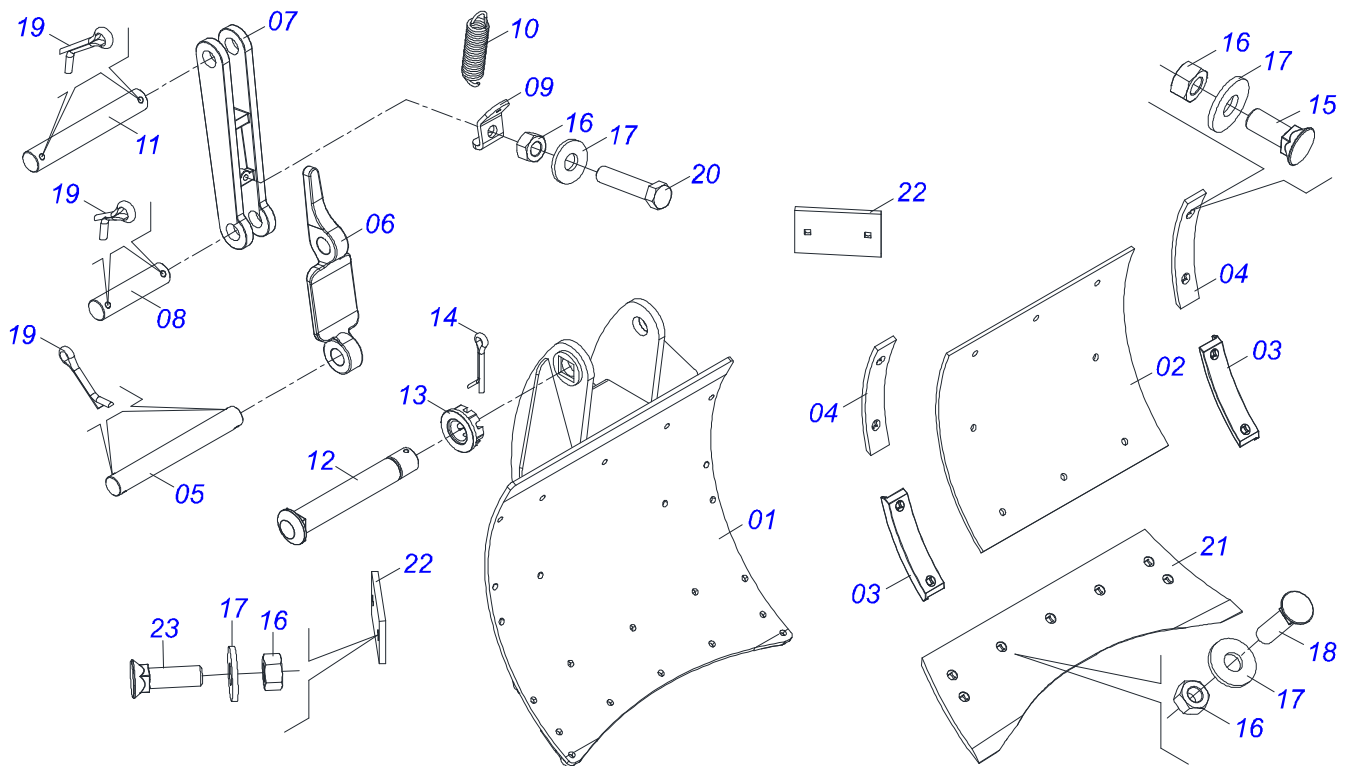
Item	Code	Description	See page	QT
094	0503035929	ADHESIVE AACR - CA		02
095	0503010001	RIVET 3,2 X 5,5		04
096	0503033238	CIVEMASA LOGO DECAL		02
097	0501311619	BUSHING 36,7 X 50 X 70		02
098	0503031428	ATTENTION READ MANUAL DECAL		01
099	0503031827	DAILY LUBRICATION AND RETIGHTENING DECAL		01
100	0503034078	LIFTING POINTS DECAL		02
101	0503031565	CAUTION TRANSPORTATION DECAL		01
102	0521060973	SUPPORT FIXER ARM REAR CARRYING-WHEELS		01
103	0503031739	DANGER DECAL		01
104	0503033647	APPROVED DECAL		01



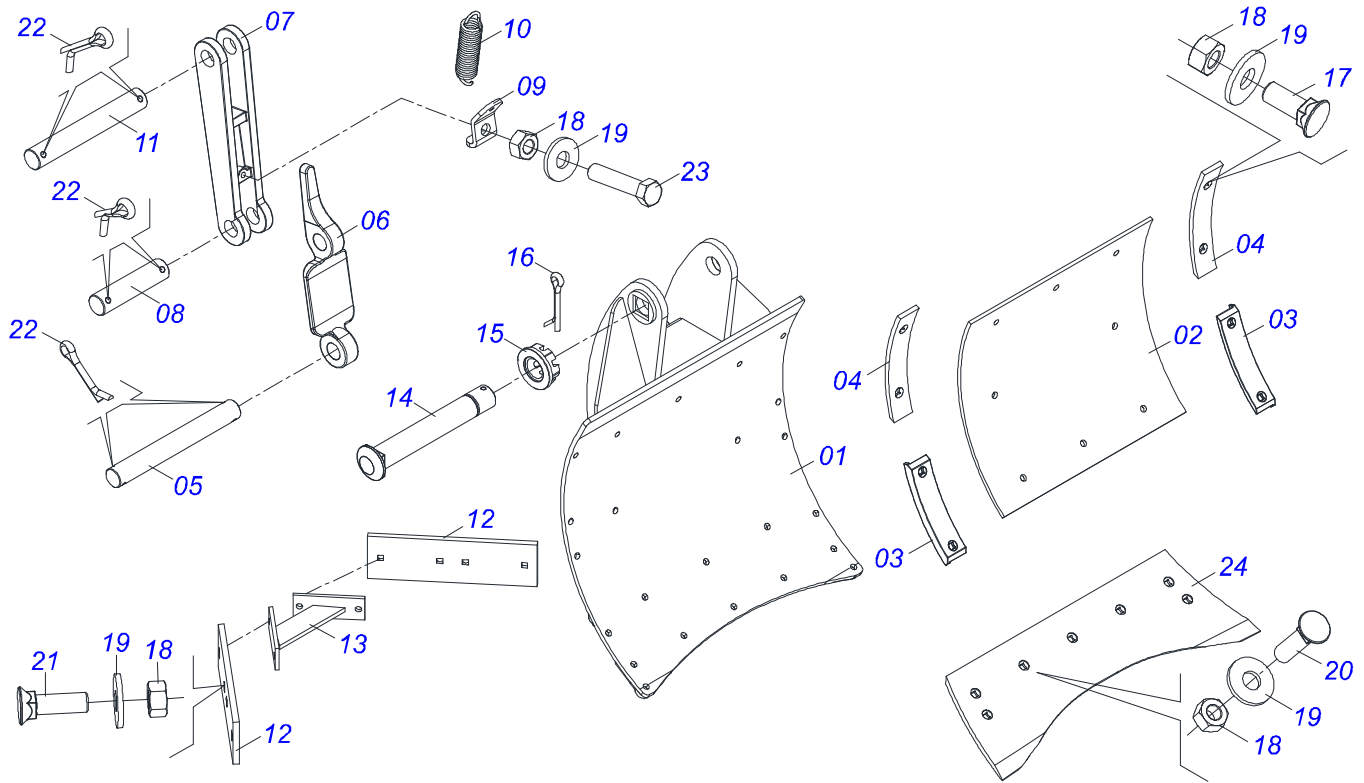
Item	Code	Description	See page	QT
01	0501068739	63,50 X 487 CYLINDER CASE		01
02	0521010035	ROD 50,80 X 500		01
03	0502040747	32.54 CLEVIS CLAMP		01
04	0503010817	1.1/4" SELF LOCKING NUT		01
05	0503011094	BOLT 3/8" UNC X 2" C C S I 12.9		01
06	0503010026	3/8" NUT		01
07	0503010025	3/8" SPRING WASHER		01
08	0581010843	PISTON		01
09	0503010345	2-218 N 3006-9B O'RING		01
10	0503030385	CYLINDER PLUG N-002		02
11	0503018194	GASKET		02
12	0581010678	50,80 X 101 RING SUPPORT		01
13	0503015636	SCRAPER SEAL		01
14	0503018025	RING GUIDE W2-2250-750		01
15	0503018026	GASKET 1870-2000-375 B POLYMAX		01
16	0503010338	2-342 N 3006-9B O'RING		02
17	0503011061	8-342 BACK-UP RING		02
18	0502012822	END CAP 4"		01



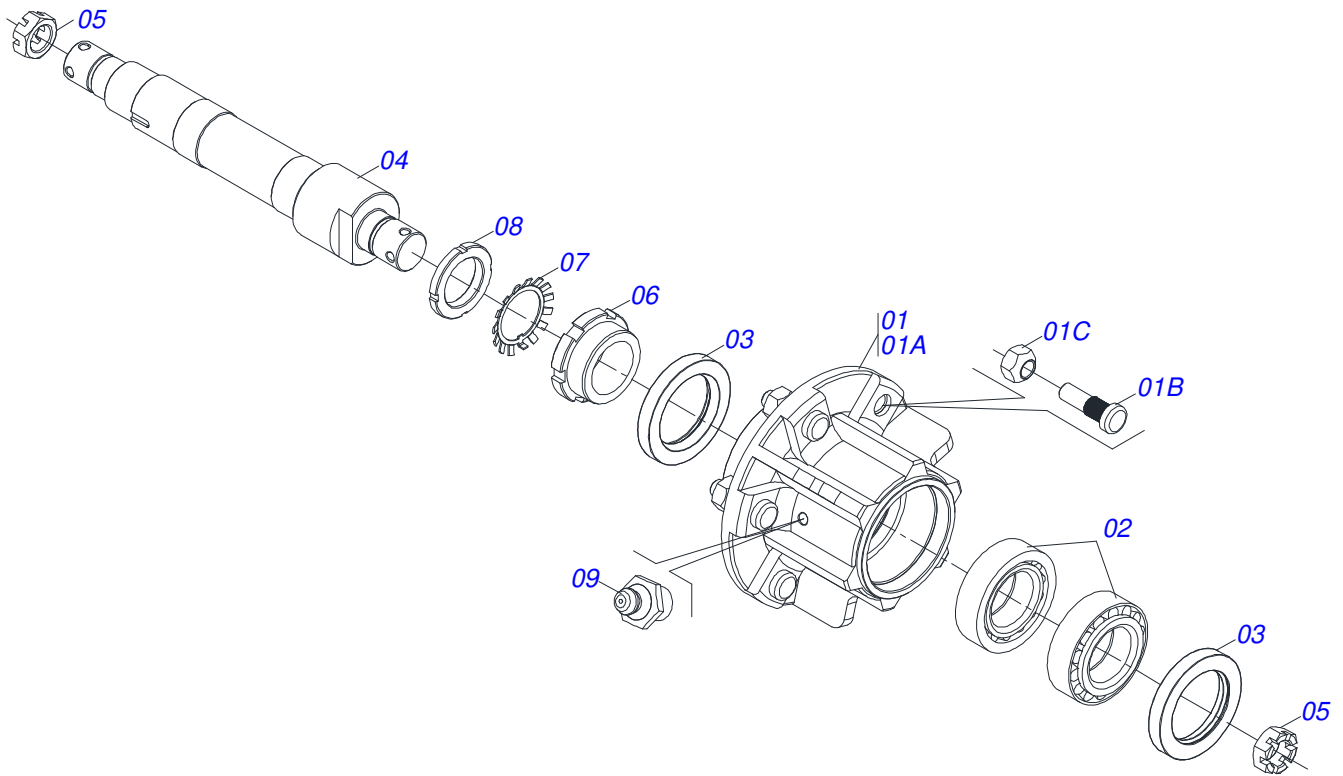
Item	Code	Description	See page	QT
01	0501065906	2.5" X 5" CYLINDER CASE		01
02	0521066626	CYLINDER EXTENDER 38.10		01
03	0503030385	CYLINDER PLUG N-002		02
04	0502012837	PISTON		01
05	0503010163	D-1500 SCRAPER RING		01
06	0502010471	63,50 MOBILE CAP		01
07	0581010668	RING SUPPORT		01
08	0503018004	RING		01
09	0503018003	GASKET		01
10	0503018163	BACK-UP RING		02
11	0503018162	O'RING		02
12	0503018005	RING		01
13	0503011109	O'RING 2-119 N 3006 9B		01



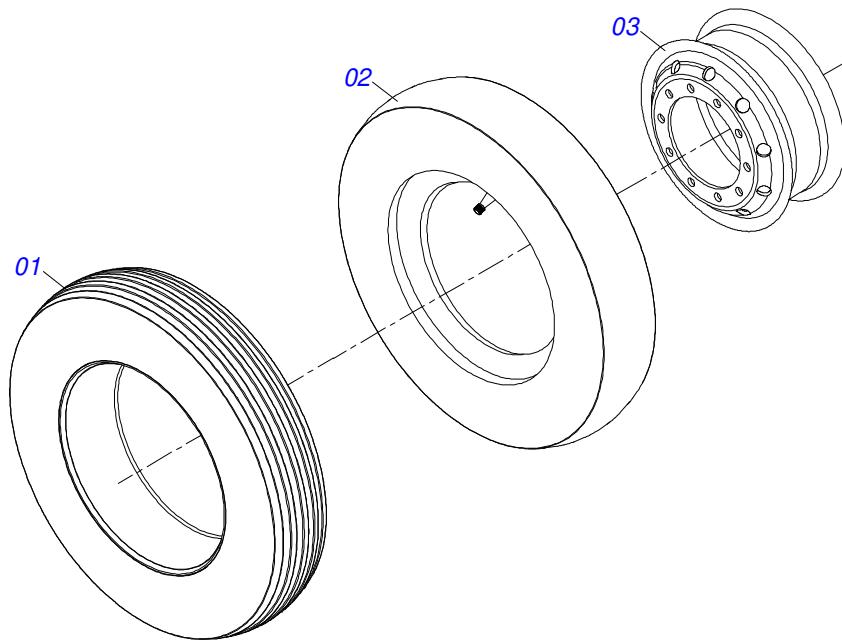
Item	Code	Description	See page	QT
01	0531066075	MOLDBOARD 590 X 694		01
02	0511011127	PLASTIC LINING		01
03	1902070060	LOWER FRIEZE		02
04	0511011126	UPPER BAR STOP MOLDBOARD		02
05	0521014037	1.1" X 8.4" COUPLING SHAFT		01
06	0521011631	AUTOMATIC RESET		01
07	0502011164	SUPPORT SPRING		01
08	0511015689	1.1" X 3.5" COUPLING SHAFT		01
09	0521014033	LOWER SPRING FIXER		01
10	0503031515	1.2" X 5.1" X 0.2" EXTENSION SPRING		01
11	0521014038	1.1" X 7.6" COUPLING SHAFT		01
12	0561018588	COUPLING SHAFT		01
13	0501011301	1.1/2" UNC 6FPP 2.5/16" NUT		01
14	0503010010	1/4" X 2.1/2" SPLIT PIN		01
15	0503011426	7/16" X 1-1/4" BOLT		16
16	0503010244	7/16" NUT		28
17	0501012803	FLAT WASHER 12 X 30 X 3,00 ZN		28
18	0503010773	7/16" X 1-3/4" BOLT		07
19	0503010571	1/4" X 1.1/2" SPLIT PIN		06
20	0503012555	7/16" UNC X 2" CS RT G.7 ZN SCREW		01
21	0622380026	SHEAR POINT		01
22	0511011175	SMALLER MOLDBOARD GUIDES		02
23	0503011199	7/16" X 1-1/2" BOLT		04



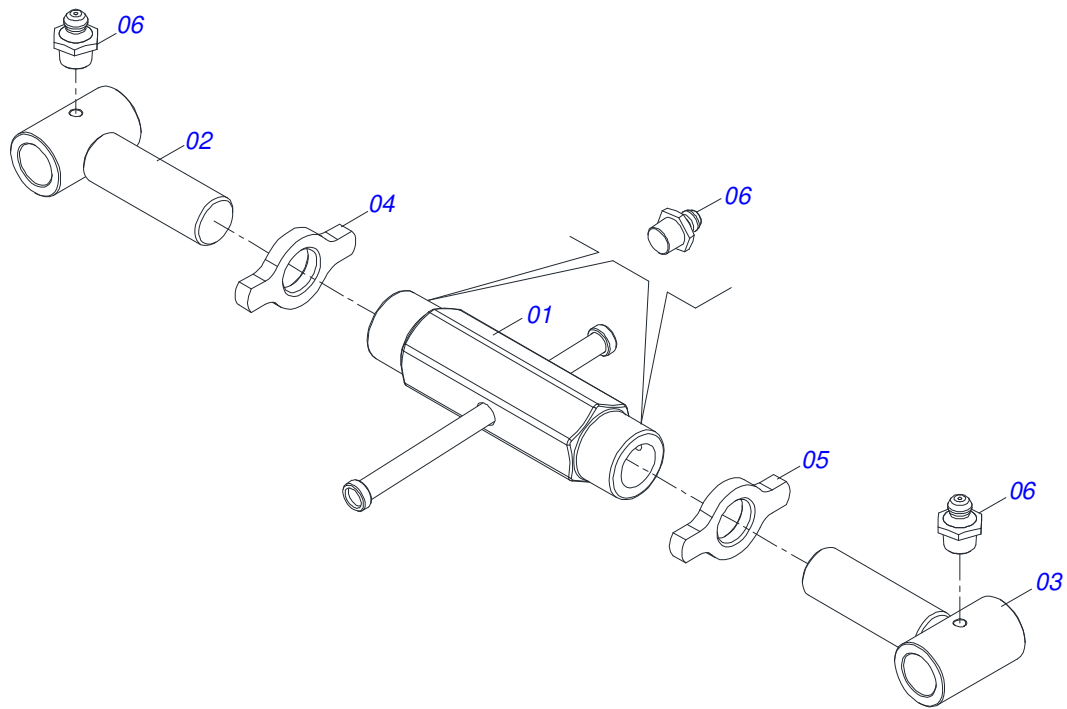
Item	Code	Description	See page	QT
01	0531066075	MOLDBOARD 590 X 694		01
02	0511011127	PLASTIC LINING		01
03	1902070060	LOWER FRIEZE		02
04	0511011126	UPPER BAR STOP MOLDBOARD		02
05	0521014037	1.1" X 8.4" COUPLING SHAFT		01
06	0521011631	AUTOMATIC RESET		01
07	0502011164	SUPPORT SPRING		01
08	0511015689	1.1" X 3.5" COUPLING SHAFT		01
09	0521014033	LOWER SPRING FIXER		01
10	0503031515	1.2" X 5.1" X 0.2" EXTENSION SPRING		01
11	0521014038	1.1" X 7.6" COUPLING SHAFT		01
12	0511011801	LARGER MOLDBOARD GUIDES		02
13	0501065737	REAR SUPPORT GUIDE		01
14	0561018588	COUPLING SHAFT		01
15	0501011301	1.1/2" UNC 6FPP 2.5/16" NUT		01
16	0503010010	1/4" X 2.1/2" SPLIT PIN		01
17	0503011426	7/16" X 1-1/4" BOLT		16
18	0503010244	7/16" NUT		32
19	0501012803	FLAT WASHER 12 X 30 X 3,00 ZN		32
20	0503010773	7/16" X 1-3/4" BOLT		07
21	0503011199	7/16" X 1-1/2" BOLT		08
22	0503010571	1/4" X 1.1/2" SPLIT PIN		06
23	0503012555	7/16" UNC X 2" CS RT G.7 ZN SCREW		01
24	0622380026	SHEAR POINT		01



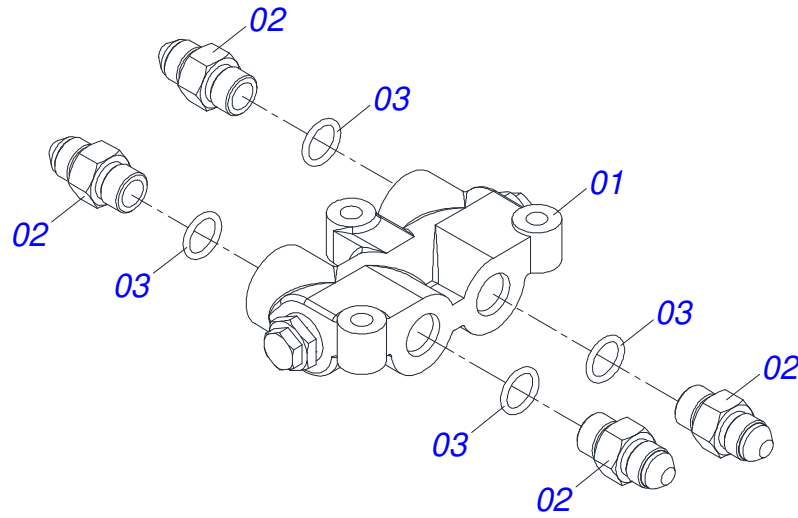
Item	Code	Description	See page	QT
01	0501110733	WHEEL HUB		01
01A	0502011120	TRANSP WHEEL HUB		01
01B	0501010127	9/16" X 1-7/8" LUG BOLT		06
01C	0503010035	9/16" CONIC NUT		06
02	0503010328	25590/25523 ROLLER BEARING		02
03	0503010804	00547-B SEAL		02
04	0521014068	CARRYING WHEEL AXLE		01
05	0503011052	1.1/4" X 0.77" CASTLE NUT		02
06	0511015949	LOCK NUT		01
07	0503010329	LOCK WASHER		01
08	0503010330	KM 9 LOCKNUT		01
09	0503010002	1800 GREASE FITTING		01



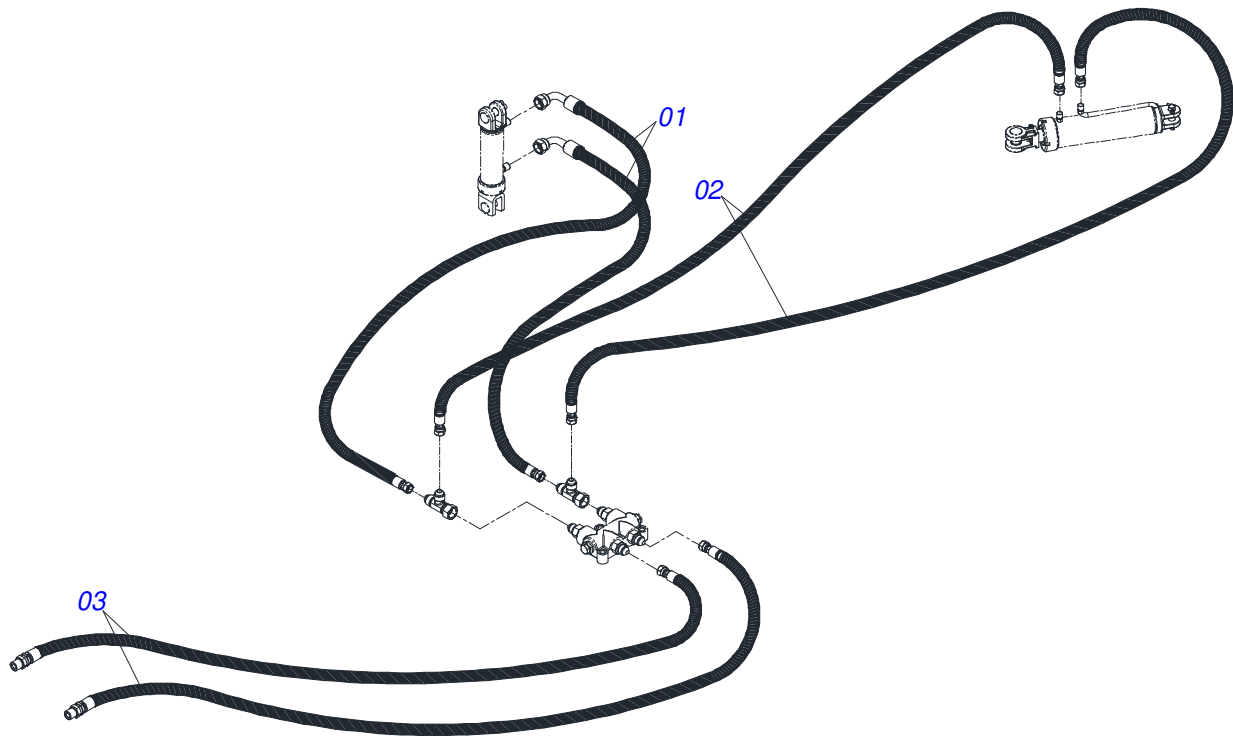
Item	Code	Description	See page	QT
01	0503010065	CANVAS TIRE		01
02	0503010068	6.00 X 16 INNER TIRE		01
03	0503010894	0.2"X0.6"X4.6"X6F0.6"X6" WHEEL		01



Item	Code	Description	See page	QT
01	0501110262	245 ADJUSTMENT NUT		01
02	0501064001	RIGHT JACK CRANK		01
03	0501064002	LEFT JACK CRANK		01
04	0541018672	COUNTERNUT		01
05	0541018673	COUNTERNUT		01
06	0503010002	1800 GREASE FITTING		04



Item	Code	Description	See page	QT
01	0503060113	VALVE		01
02	0501010617	NIPLE 3/4" NF X 3/4" NF HEX. 7/8" X 44		04
03	0503010190	2-114 N 3006-9B O'RING		04



Item	Code	Description	See page	QT
01	0501080055	3/8" X 39" TR-TC HOSE		02
02	0501080488	3/8" X 51" TR-TR HOSE		02
03	0501080846	3/8" X 1550 TR-TM HOSE		02



ANNOTATION





civemasa

Technical Publications | Elaboration and Revision
ALESSANDRA PATRICIA KAWAHARA CARRILI

www.civemasa.com.br

