

DISK HARROWS

GICM 12/14/16/18/20D - HYDRAULICS
GICM 12/14/16/18/20D - HIDRÁULICA

Code: 0501093774
Series: S-1223
Revision: 00
Revision Date: SEPTEMBER/2024

PARTS
CATALOGUE

CIVEMASA




PRODUCTS

Code	Working Width	Description
0121050021		GICM 12X26X6 DR DMO HID E1.5/8 S-1223
0121050022		GICM 12X28X6 DR DMO HID E1.5/8 S-1223
0121050025		GICM 14X26X6 DR DMO HID E1.5/8 S-1223
0121050026		GICM 14X28X6 DR DMO HID E1.5/8 S-1223
0121050029		GICM 16X26X6 DR DMO HID E1.5/8 S-1223
0121050030		GICM 16X28X6 DR DMO HID E1.5/8 S-1223
0121050033		GICM 18X26X6 DR DMO HID E1.5/8 S-1223
0121050034		GICM 18X28X6 DR DMO HID E1.5/8 S-1223
0121050038		GICM 20X26X6 DR DMO HID E1.5/8 S-1223
0121050039		GICM 20X28X6 DR DMO HID E1.5/8 S-1223

ATTENTION: IMPORTANT

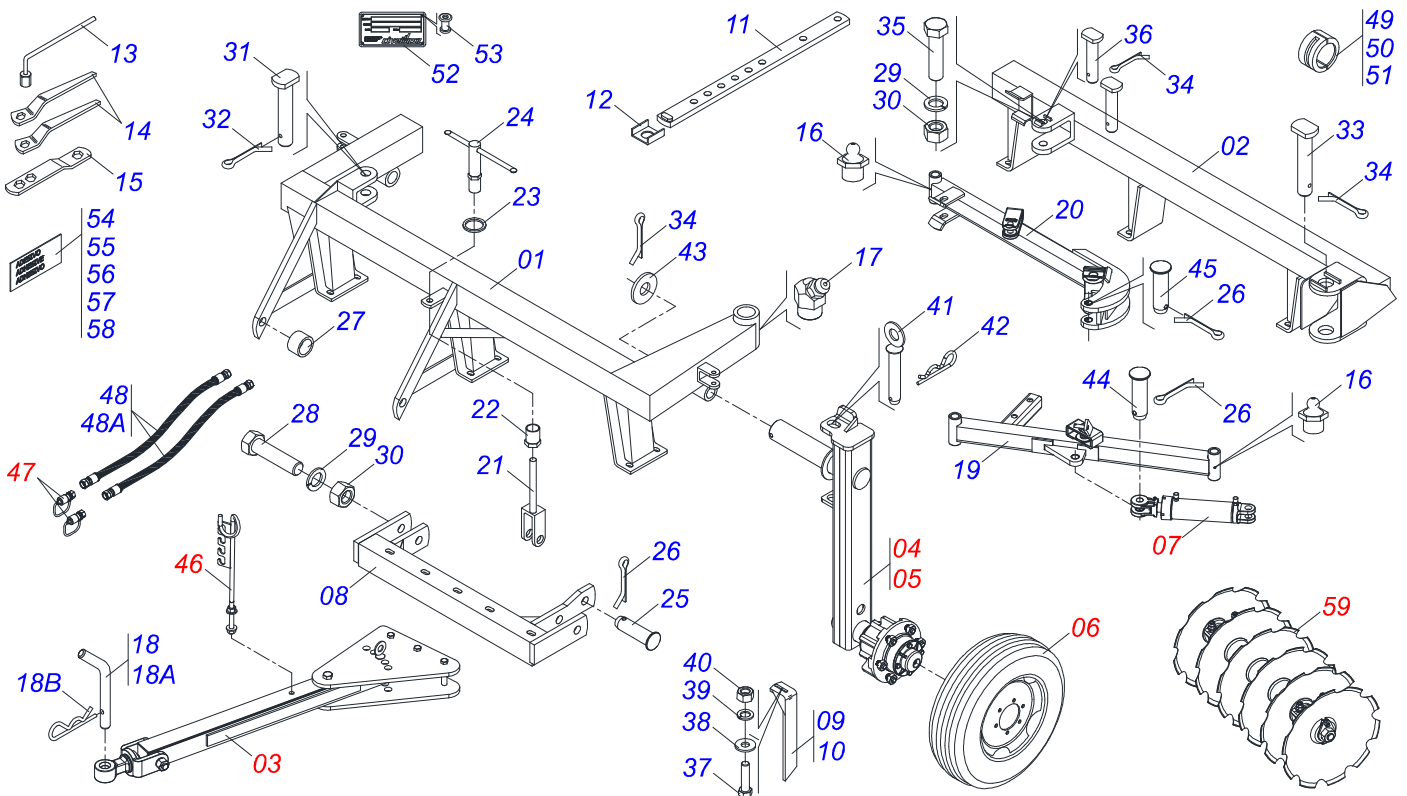
CIVEMASA reserves the right to improve and/or modify the technical features of its products, without obligation to do the same with those products already sold and without prior knowledge of the dealer or the customer. The photos are only illustrative.



INDEX

0909097365	ASSY FRAME	1
0501042816	TRACTION BAR ASSY	2
0501051632	RIGHT STUB SHAFT & HUB ASSY	3
0501051633	LEFT STUB SHAFT & HUB ASSY	4
0501051142	CARRYING WHEEL HUB	5
0503060094	WHEEL AND TIRE ASSY	6
0511058424	HYDRAULIC CYLINDER	7
0501040257	3/4" X 38" HOSE SUPPORT ASSY	8
0501053834	MALE QUICK COUPLER	9
0909097366	ASSY DISC GANG	10
0511048375	DMO 262 X 1.5/8 AGRICULTURAL BEARING ASSY	11
0501059733	DMO 262 X 1.5/8 AGRICULTURAL BEARING	12

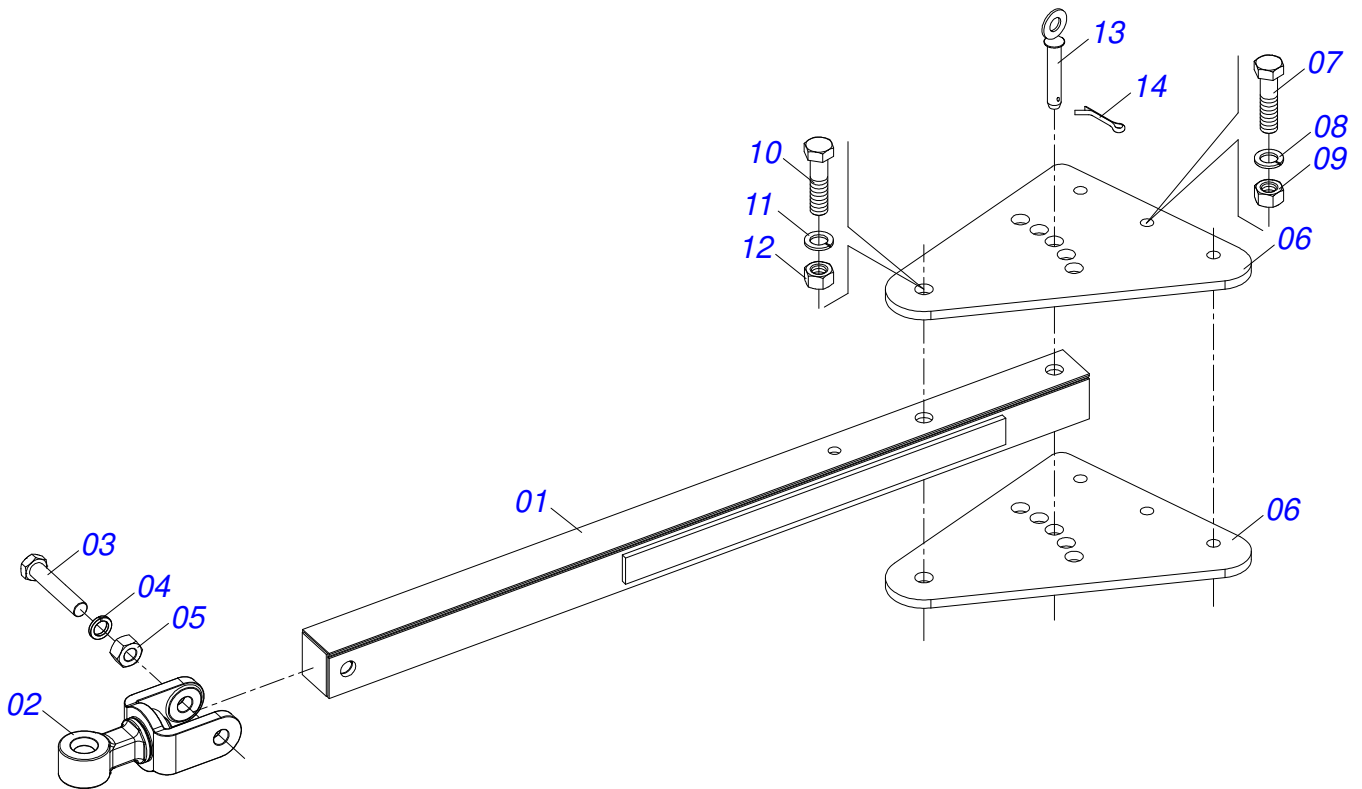
ASSY FRAME



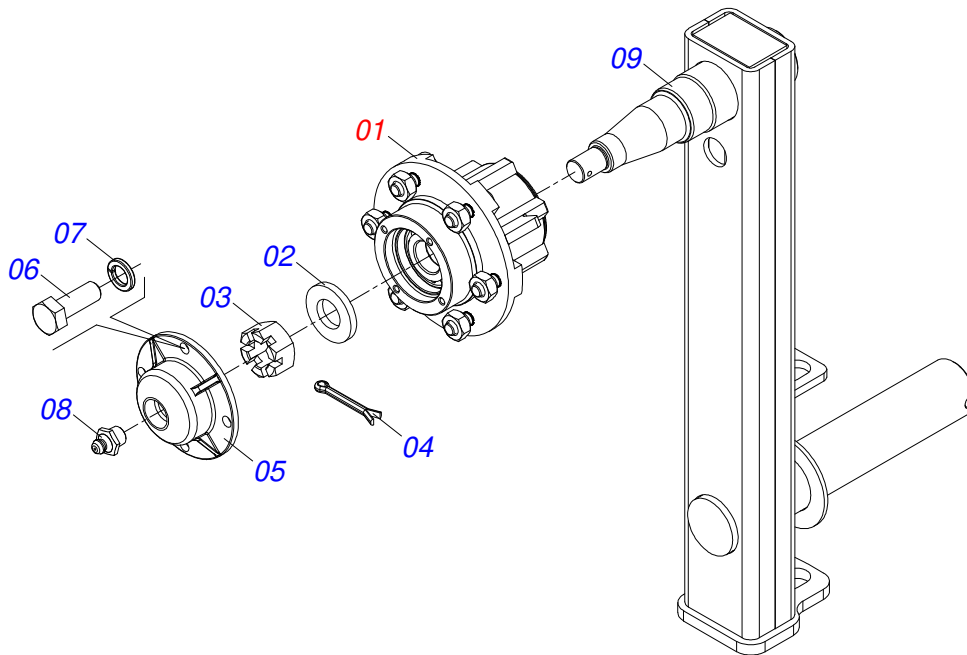
Item	Code	Description	See page	12	14	16	18	20
01	0521064601	FRONT FRAME - 12D		01	00	00	00	00
01.	0521064633	FRONT FRAME - 14D		00	01	00	00	00
01..	0521064627	FRONT FRAME - 16D		00	00	01	00	00
01...	0521064629	FRONT FRAME - 18D		00	00	00	01	00
01....	0521064631	FRONT FRAME - 20D		00	00	00	00	01
02	0521064602	REAR FRAME - 12D		01	00	00	00	00
02.	0521064634	REAR FRAME - 14D		00	01	00	00	00
02..	0521064628	REAR FRAME - 16D		00	00	01	00	00
02...	0521064630	REAR FRAME - 18D		00	00	00	01	00
02....	0521064632	REAR FRAME - 18D		00	00	00	00	01
03	0501042816	TRACTION BAR ASSY	2	01	01	01	01	01
04	0501051632	RIGHT STUB SHAFT & HUB ASSY	3	01	01	01	01	01
05	0501051633	LEFT STUB SHAFT & HUB ASSY	4	01	01	01	01	01
06	0503060094	WHEEL AND TIRE ASSY	6	02	02	02	02	02
07	0511058424	HYDRAULIC CYLINDER	7	01	01	01	01	01
08	0501065547	12 - OFFSET BAR		01	00	00	00	00
08.	0501065548	16 - OFFSET BAR		00	00	01	00	00
08..	0501065549	14/18/20 - OFFSET BAR		00	01	00	01	01
09	0501064168	FRONT SCRAPER		03	04	04	04	05
10	0501064167	REAR SCRAPER		03	04	04	04	05
11	0501064196	ADJUSTMENT BAR		01	00	00	00	00
11.	0501064198	ADJUSTMENT BAR		00	01	00	00	00
11..	0501064197	ADJUSTMENT BAR		00	00	01	01	01
12	0501011649	U 1.2" X 3.1" X 3/16" BAR		01	01	01	01	01
13	0503016140	3/4" WRENCH CABLE CYLINDRICAL		01	01	01	01	01
14	0501011431	1-3/4" GANG BOLT WRENCH		02	02	02	02	02
15	0511018451	5/8" X 3/4" X 1" UNIVERSAL		01	01	01	01	01
16	0503010002	1800 GREASE FITTING		02	02	02	05	05
17	0503010003	1845 GREASE FITTING		01	01	01	01	01
18	0501040343	HITCH AXIS ASSY		01	01	01	01	01
18A	0501010523	DRAWBOLT		01	01	01	01	01
18B	0503031035	HITCH PIN CLIP		01	01	01	01	01

ASSY FRAME

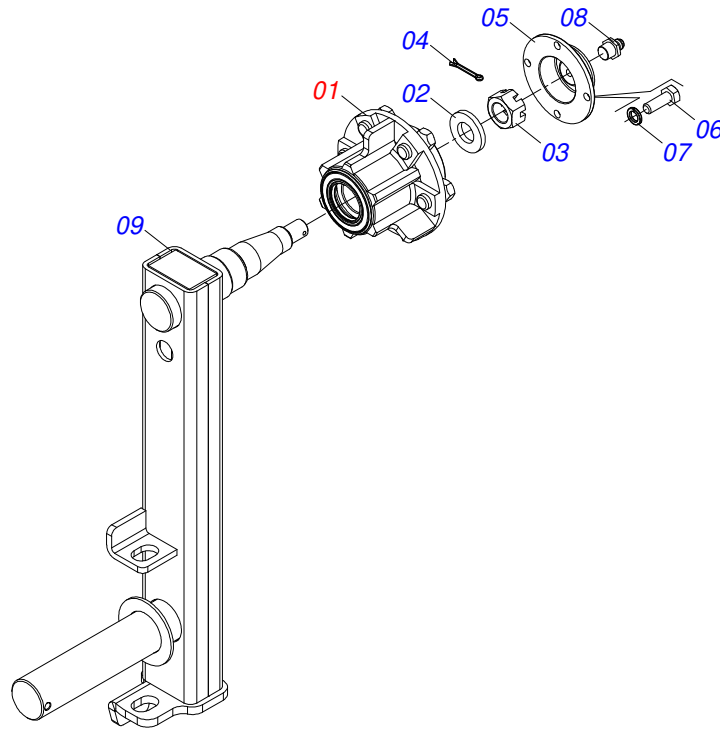
Item	Code	Description	See page	12	14	16	18	20
19	0501062507	FRONT STABILIZER BAR		00	00	01	01	01
20	0501062509	REAR STABILIZER BAR		00	00	01	01	01
21	0501060201	REGULATOR BOLT		01	01	01	01	01
22	0501068984	BUSHING WITH NUT		01	01	01	01	01
23	0501014509	FLAT WASHER		01	01	01	01	01
24	0501110265	BUSHING WITH CRANK		01	01	01	01	01
25	0521010571	COUPLING SHAFT		01	01	01	01	01
26	0503010571	1/4" X 1.1/2" SPLIT PIN		03	03	03	03	03
27	0511019921	1.3" X 0.1" X 1" SLEEVE		02	02	02	02	02
28	0501011547	1" X 4-1/2" BOLT		02	02	02	02	02
29	0503010012	1" SPRING WASHER		03	03	03	03	03
30	0501010059	1.5/8 NUT		03	03	03	03	03
31	0521010644	1.5" X 8.4" COUPLING SHAFT		00	00	01	01	01
32	0503010534	3/8" X 2.1/2" SPLIT PIN		00	00	01	01	01
33	0501065487	2.4" X 123" COUPLING SHAFT		01	01	01	01	01
34	0503010073	3/8" X 3.1/2" SPLIT PIN		04	04	04	04	04
35	0503011432	BOLT		01	01	00	00	00
36	0501062195	37,5 X 182 - JUNCTION SHAFT		01	01	01	01	01
37	0503011082	C1/2" X 1.3/4" SCREW		12	16	16	16	20
38	0511017302	FLAT WASHER 13,50 X 32,50 X 3,0 ZN		12	16	16	16	20
39	0503010019	1/2" SPRING WASHER		12	16	16	16	20
40	0503010060	1/2 UNC G.5 ZN HEX NUT		12	16	16	16	20
41	0501068993	0.9" X 5.5" COUPLING SHAFT		02	02	02	02	02
42	0503030168	HITCH PIN CLIP		02	02	02	02	02
43	0501010246	FLAT WASHER		02	02	02	02	02
44	0521012538	1.2" X 3.5" COUPLING SHAFT		01	01	01	01	01
45	0521010546	1.2" X 5.7" COUPLING SHAFT		01	01	01	01	01
46	0501040257	3/4" X 38" HOSE SUPPORT ASSY	8	01	01	01	01	01
47	0501053834	MALE QUICK COUPLER	9	02	02	02	02	02
48	0501051040	HOSE SET		01	01	01	01	01
48A	0501080361	3/8" X 157.50" TR-TM HOSE		02	02	02	02	02
49	0501047895	25 ROD STOP		03	03	03	03	03
50	0501047886	35 ROD STOP		01	01	01	01	01
51	0501047888	45 ROD STOP		01	01	01	01	01
52	0503034004	ALUMINUM IDENTIFICATION DECAL		01	01	01	01	01
53	0503010001	RIVET 3,2 X 5,5		04	04	04	04	04
54	0503031428	ATTENTION READ MANUAL DECAL		01	01	01	01	01
55	0503033647	APPROVED DECAL		01	01	01	01	01
56	0503033905	ADHESIVE		01	01	01	01	01
57	0503031739	DANGER DECAL		01	01	01	01	01
58	0503033244	CIVEMASA LOGO DECAL		01	01	01	01	01
59		ASSY DISC GANG	10					



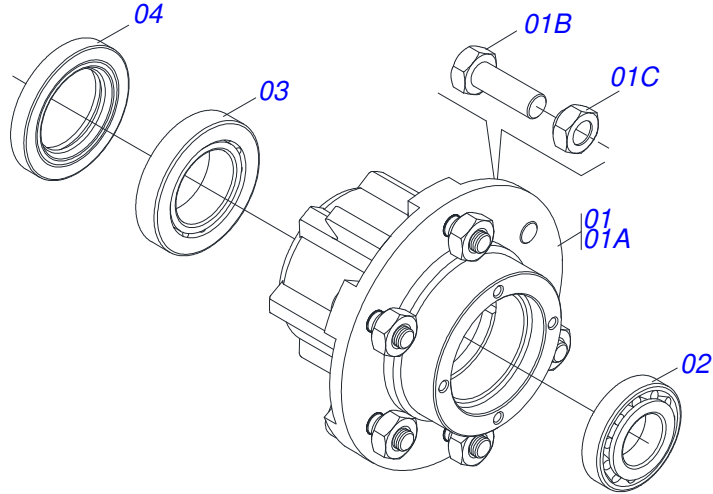
Item	Code	Description	See page	QT
01	0501060188	DRAWBAR ASSY		01
02	0521061775	TRACTOR HITCH		01
03	0501010060	1" X 6-1/2" BOLT		01
04	0503011438	SPRING WASHER		01
05	0501010059	1.5/8 NUT		01
06	0501010241	UPPER /LOWER PLATE		02
07	0503011198	BOLT 3/4" UNC X 6" CS G.5		03
08	0503011442	3/4" SPRING WASHER		03
09	0503010014	3/4" ZN G.5 (HEAVY) UNC HEX NUT		03
10	0501010191	1" X 6" BOLT		01
11	0503011438	SPRING WASHER		01
12	0501010059	1.5/8 NUT		01
13	0501068993	0.9" X 5.5" COUPLING SHAFT		01
14	0503010571	1/4" X 1.1/2" SPLIT PIN		01



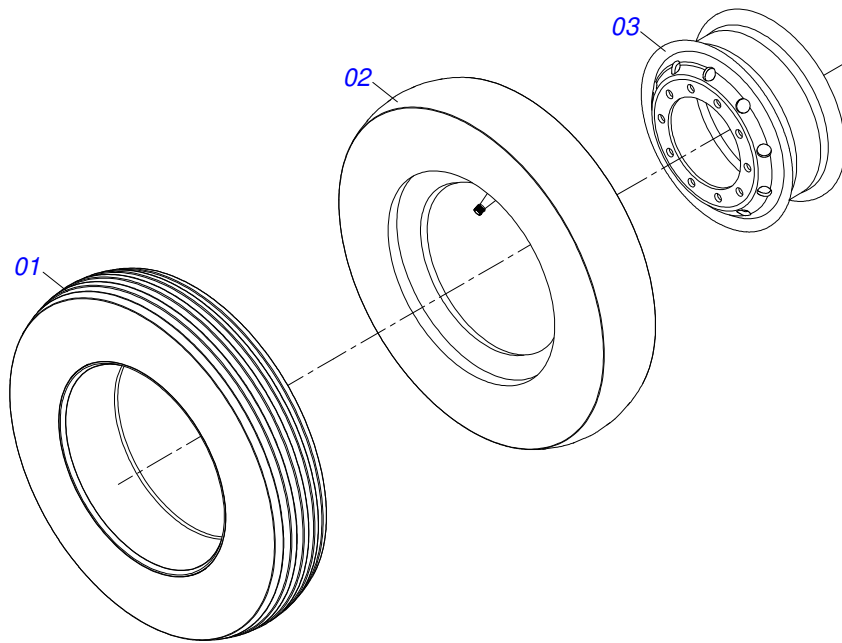
Item	Code	Description	See page	QT
01	0501051142	CARRYING WHEEL HUB	5	01
02	0501016545	FLAT WASHER		01
03	0503030009	1" CASTLE NUT		01
04	0503010018	5/32" X 1-1/2" SPLIT PIN		01
05	0502020591	PROTECTION LID		01
06	0503010358	5/16" X 5/8" BOLT		04
07	0503011444	SPRING WASHER 5/16"		04
08	0503010002	1800 GREASE FITTING		01
09	0501069088	RIGHT CARRYING-WHEELS SUPPORT		01



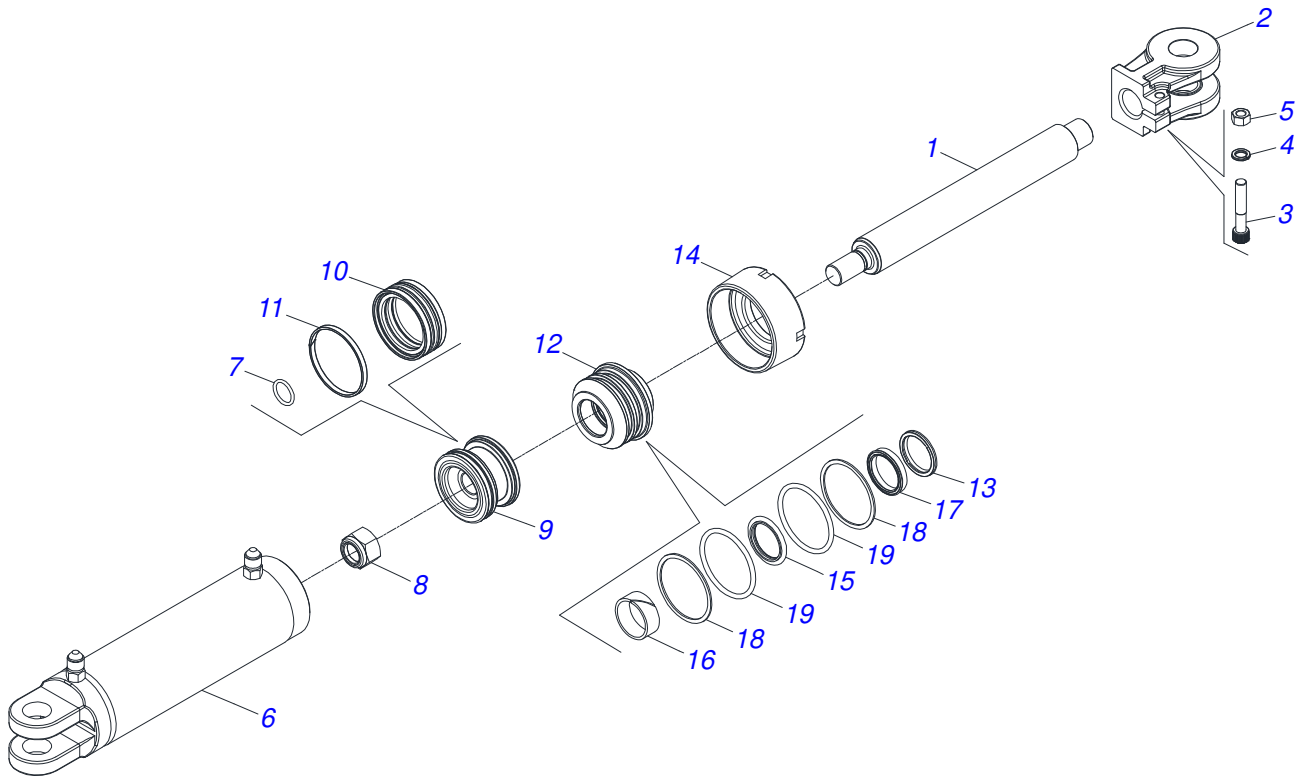
Item	Code	Description	See page	QT
01	0501051142	CARRYING WHEEL HUB	5	01
02	0501016545	FLAT WASHER		01
03	0503030009	1" CASTLE NUT		01
04	0503010018	5/32" X 1-1/2" SPLIT PIN		01
05	0502020591	PROTECTION LID		01
06	0503010358	5/16" X 5/8" BOLT		04
07	0503011444	SPRING WASHER 5/16"		04
08	0503010002	1800 GREASE FITTING		01
09	0501069089	LEFT CARRYING-WHEELS SUPPORT		01



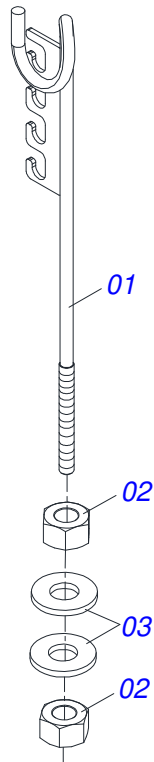
Item	Code	Description	See page	QT
01	0501110728	WHEEL HUB		01
01A	0502011121	CARRYING WHEEL HUB		01
01B	0501010127	9/16" X 1-7/8" LUG BOLT		06
01C	0503010035	9/16" CONIC NUT		06
02	0503010037	30207 ROLLER BEARING		01
03	0503010006	32210 ROLLER BEARING		01
04	0503012928	SEAL		01



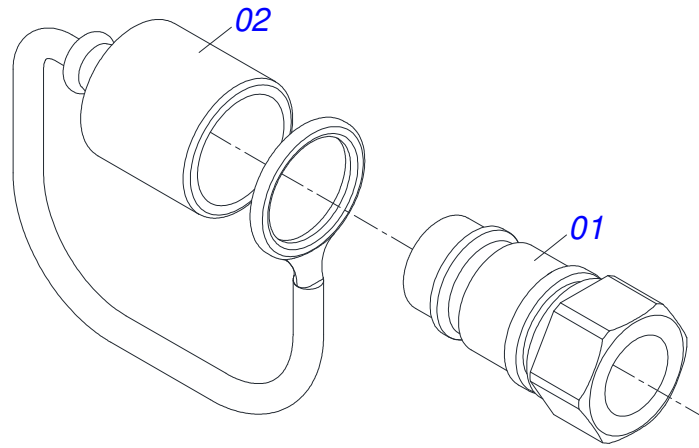
Item	Code	Description	See page	QT
01	0503010065	CANVAS TIRE		01
02	0503010068	6.00 X 16 INNER TIRE		01
03	0503010894	0.2"X0.6"X4.6"X6F0.6"X6" WHEEL		01



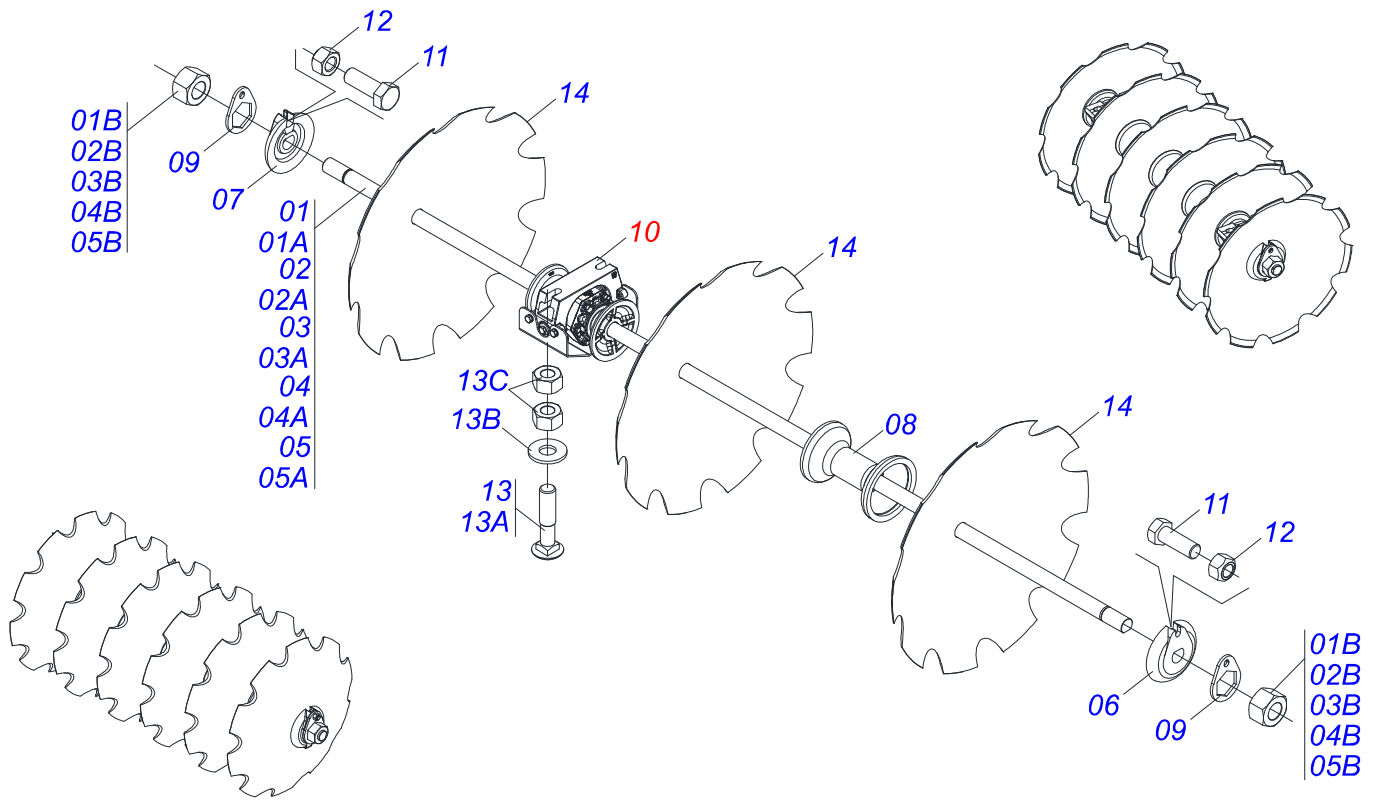
Item	Code	Description	See page	QT
01	0521010421	HYDRAULIC CYLINDER TURNBUCKLE		01
02	0502040747	32.54 CLEVIS CLAMP		01
03	0503011094	BOLT 3/8" UNC X 2" C C S I 12.9		01
04	0503010025	3/8" SPRING WASHER		01
05	0503010026	3/8" NUT		01
06	0511063257	3,4" X 12,3" CYLINDER CASE		01
07	0503010042	2-214 N 3006-9B O'RING		01
08	0503010063	1" SELF-ALIGNING NUT		01
09	0571019710	1.7" X 3.4" PISTON		01
10	0503017935	RING		01
11	0503018144	RING		01
12	0571019711	RING SUPPORT		01
13	0503010761	D-1750 SCRAPER RING		01
14	0571019709	DETACHABLE COVER		01
15	0503017936	RING		01
16	0503017938	RING GUIDE		01
17	0503017937	GASKET		01
18	0503017940	8-337 BACK-UP RING		02
19	0503017939	2-337 N 3006-9B O' RING		02



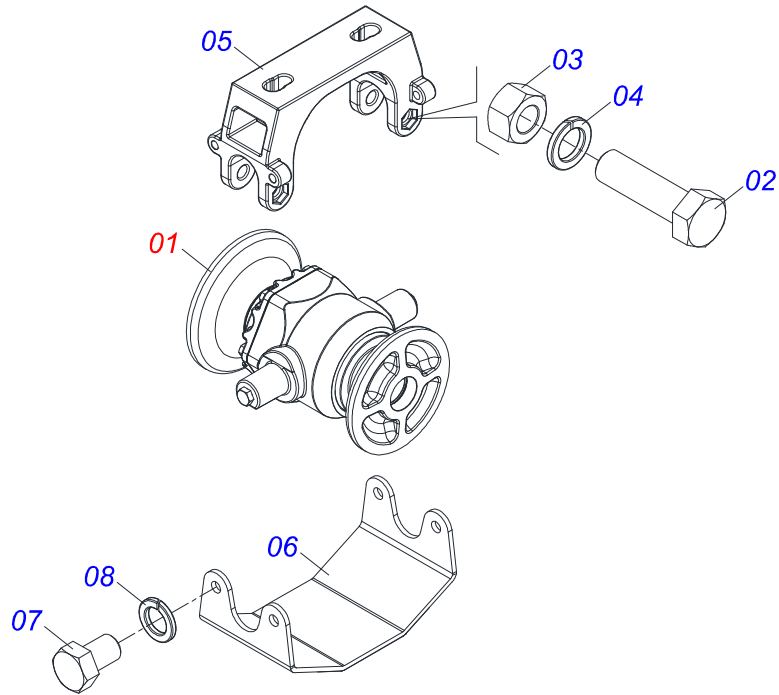
Item	Code	Description	See page	QT
01	0511067334	HOSE SUPPORT		01
02	0503010014	3/4" ZN G.5 (HEAVY) UNC HEX NUT		02
03	0501010322	20,50 X 46 X 4,00 ZN FLAT WASHER		02



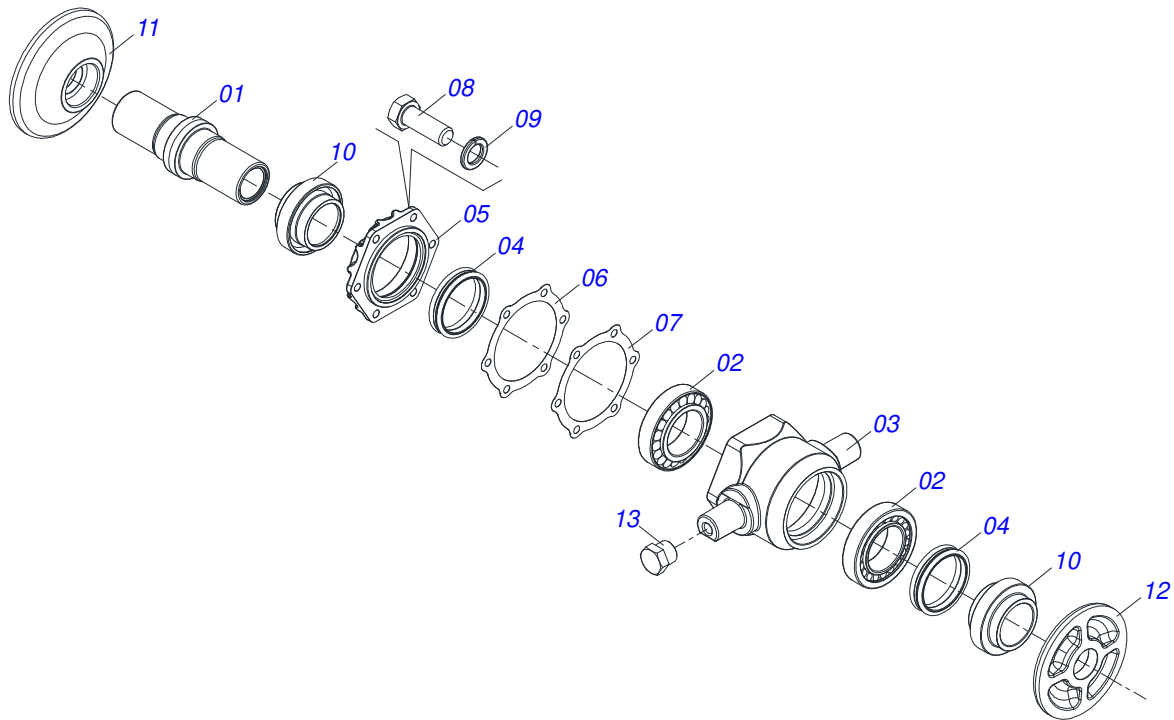
Item	Code	Description	See page	QT
01	0503011627	MALE QUICK COUPLER AGR 1/2 NPT		01
02	0503011882	MALE QUICK COUPLER CAP		01



Item	Code	Description	See page	12	14	16	18	20
01	0501046856	1-5/8" X 59" AXLE WITH NUTS 2-3/4"		02	00	00	00	00
01A	0501019012	1-5/8" X 59" AXLE		01	00	00	00	00
01B	0502040640	1.5/8" 2.3/4" NUT		02	00	00	00	00
02	0501046859	1-5/8" X 70" AXLE WITH NUTS 2-3/4"		00	02	00	00	00
02A	0501015631	1-5/8" X 70" AXLE		00	01	00	00	00
02B	0502040640	1.5/8" 2.3/4" NUT		00	02	00	00	00
03	0501046861	1-5/8" X 80" AXLE WITH NUTS 2-3/4"		00	00	02	00	00
03A	0501019015	1-5/8 X 80" AXLE		00	00	01	00	00
03B	0502040640	1.5/8" 2.3/4" NUT		00	00	02	00	00
04	0501046811	1-5/8" X 38" AXLE WITH NUTS 2-3/4"		00	00	00	02	00
04A	0501019013	1-5/8" X 38" AXLE		00	00	00	01	00
04B	0502040640	1.5/8" 2.3/4" NUT		00	00	00	02	00
05	0501046854	1-5/8" X 48" AXLE WITH NUTS 2-3/4"		00	00	00	02	04
05A	0501019016	1-5/8 X 48" AXLE		00	00	00	01	01
05B	0502040640	1.5/8" 2.3/4" NUT		00	00	00	02	02
06	0502011047	1-5/8" INNER AXLE WASHER		02	02	02	04	04
07	0502011048	1-5/8" EXTERNAL AXLE WASHER		02	02	02	04	04
08	0502010703	10.35" 1-5/8" SPACER		06	08	08	06	08
09	0511014339	1-5/8" 2.8" NUT LOCK		04	04	04	08	08
10	0511048375	DMO 262 X 1.5/8 AGRICULTURAL BEARING ASSY	11	04	04	06	08	08
11	0503011267	BOLT 5/8" UNC X 1.1/2 C S G.5 ZN		04	04	04	08	08
12	0503012412	5/8" UNC SELF LOCKING NUT		04	04	04	08	08
13	0521047424	SCREW ASSY		08	08	12	16	16
13A	0501010500	3/4" X 3" BOLT		08	08	12	16	16
13B	0501010322	20,50 X 46 X 4,00 ZN FLAT WASHER		08	08	12	16	16
13C	0503012183	SNC 3/4" ZIN 1K03097 NUT		16	16	24	32	32
14	0602033005	DR 26 X 6,00 C90AF04FR1.11/16 10R		12	14	16	18	20
14.	0602037004	DR 28 X 6,00 C102AF04FR1.11/16 10R		12	14	16	18	20
14..	0602037006	DR 28 X 7,50 C102AF04FR1.11/16 10R		12	14	16	18	20



Item	Code	Description	See page	QT
01	0501059733	DMO 262 X 1.5/8 AGRICULTURAL BEARING	12	01
02	0503010762	SCREW 5/8 UNC X 3.1/2 CS G.5 ZN		02
03	0503010013	5/8 UNC G.5 ZN HEX NUT		02
04	0503010027	5/8 SPRING WASHER		02
05	0502012626	CENTER OSCILLATING BEARING SUPPORT		01
06	0501213922	BEARING LID		01
07	0503010834	1/2 X 1 BOLT		04
08	0503010019	1/2" SPRING WASHER		04



Item	Code	Description	See page	QT
01	0502010900	BEARING AXLE		01
02	0503010005	32212 ROLLER BEARING		02
03	0502020691	BEARING HUB		01
04	0503030027	DUO-CONE SEAL		02
05	0502020161	WEAR PLATE BEARING		01
06	0503030030	5.6" X 4.4" X 0.01" GASKET		02
07	0503030685	5.5" X 4.4" X 0.003" GASKET		01
08	0503010237	3/8" X 1" BOLT		06
09	0503011443	SPRING WASHER 3/8"		06
10	0502010735	SEAL RETAINER		02
11	0502040239	OUTER FLANGE		01
12	0502040240	INNER FLANGE		01
13	0503010856	OIL PLUG R 3/8 BSPT		02



civemasa

Technical Publications | Elaboration and Revision

LUIZ CANDIDO

www.civemasa.com.br

