

**DISK HARROWS**

**GIC TL - 48D**  
**GIC TL - 48D**

**Code:** 0501093772  
**Series:** S-1223  
**Revision:** 00  
**Revision Date:** DECEMBER/2023

**PARTS**  
**CATALOGUE**

***CIVEMASA***




# PRODUCTS

Code	Working Width	Description
0121030051		GIC-TL 48X28X7,50 DR DMO HID E1.3/4 C/PROT S-1223
0121030052		GIC-TL 48X30X7,50 DR DMO HID E1.3/4 C/PROT S-1223

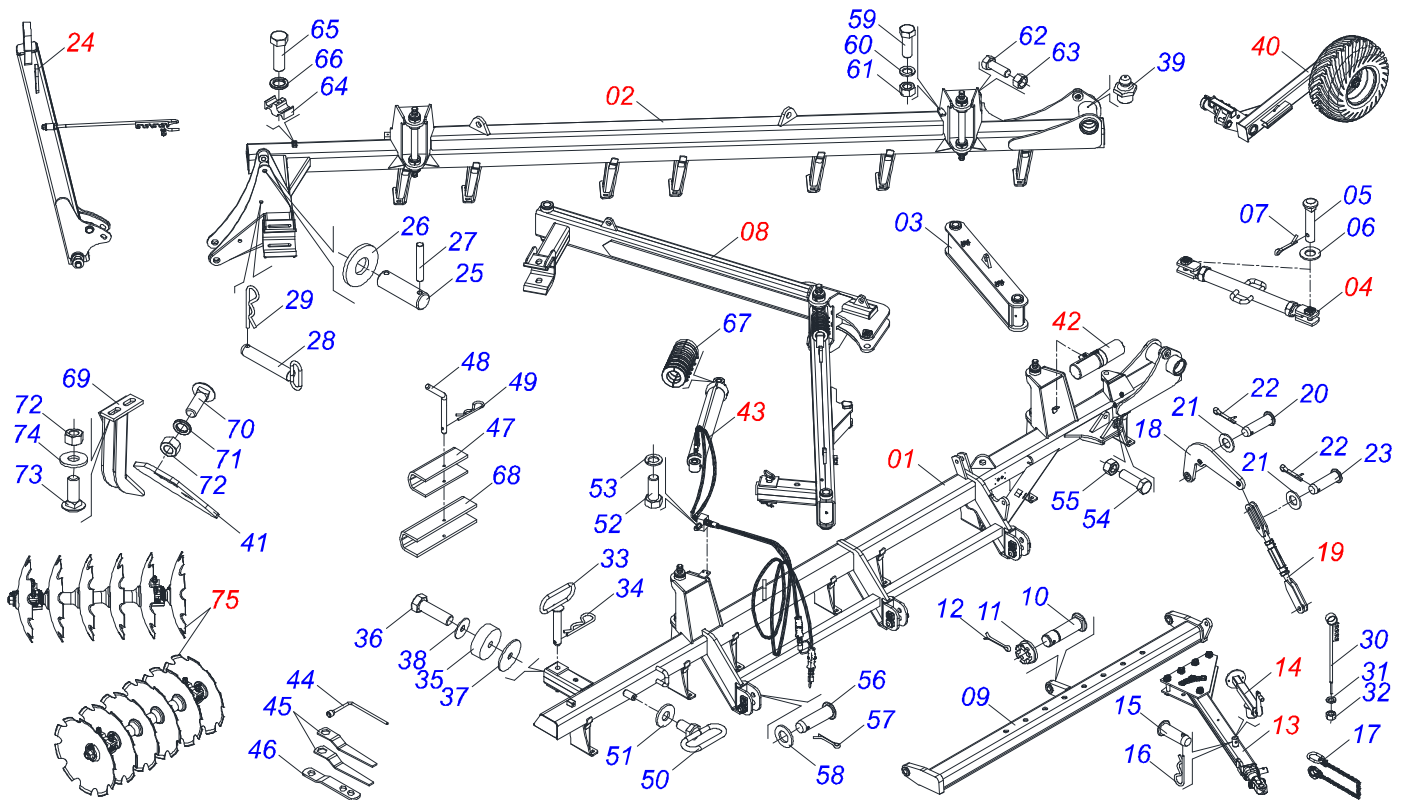
## ATTENTION: IMPORTANT

CIVEMASA reserves the right to improve and/or modify the technical features of its products, without obligation to do the same with those products already sold and without prior knowledge of the dealer or the customer. The photos are only illustrative.



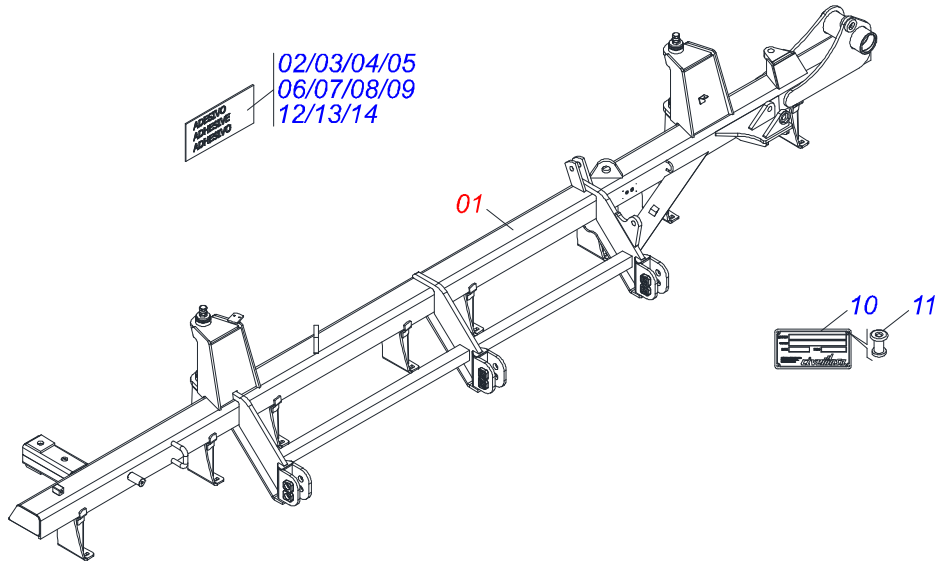
# INDEX

0909097007	ASSY FRAME	.....	1
0521048726	FRONT FRAME ASSY	.....	2
0521053837	FRONT CHASSIS SEMI-ASSEMBLED	.....	3
0521048727	FRONT FRAME ASSY	.....	4
0521053838	SEMI-ASSEMBLED REAR CHASSIS	.....	5
0501057339	JOINT TURNBUCKLE ASSY	.....	6
0909097008	ARTICULATOR SET	.....	7
0501048069	DRAWBAR ASSY	.....	8
0511048088	DRAWBAR JACK	.....	9
0501057463	TURNBUCKLE ASSY	.....	10
0909097009	REAR HITCH ASSEMBLY	.....	11
0501040257	3/4" X 38" HOSE SUPPORT ASSY	.....	12
0909097010	RIGHT/LEFT WHEEL SYSTEM	.....	13
0503060102	WHEEL AND TIRE 400/60 - 14L RIGHT	.....	14
0501051885	CARRYING-WHEELS	.....	15
0521054638	MANUAL STORAGE TUBE ASSY	.....	16
0909097015	COMPLETE HYDRAULIC CIRCUIT	.....	17
0511045489	63,5 X 127 X 890 X 605 HYDRAULIC CIRCUIT	.....	18
0511058424	HYDRAULIC CYLINDER	.....	19
0521053839	53,98 X 114,30 X 654 X 346 HYDRAULIC CYLINDER	.....	20
0521056809	53,98 X 127 X 654 X 346 HYDRAULIC CYLINDER	.....	21
0511057534	FLOW DIVIDING VALVE	.....	22
0501042903	DISCHARGE VALVE ASSY	.....	23
0501053834	MALE QUICK COUPLER	.....	24
0909097016	COMPLETE DISK SECTION	.....	25
0531045626	AGRICULTURAL BEARING DMO 262 X 1.3/4 WITH SUPPORT	.....	26
0531052860	AGRICULTURAL BEARING	.....	27

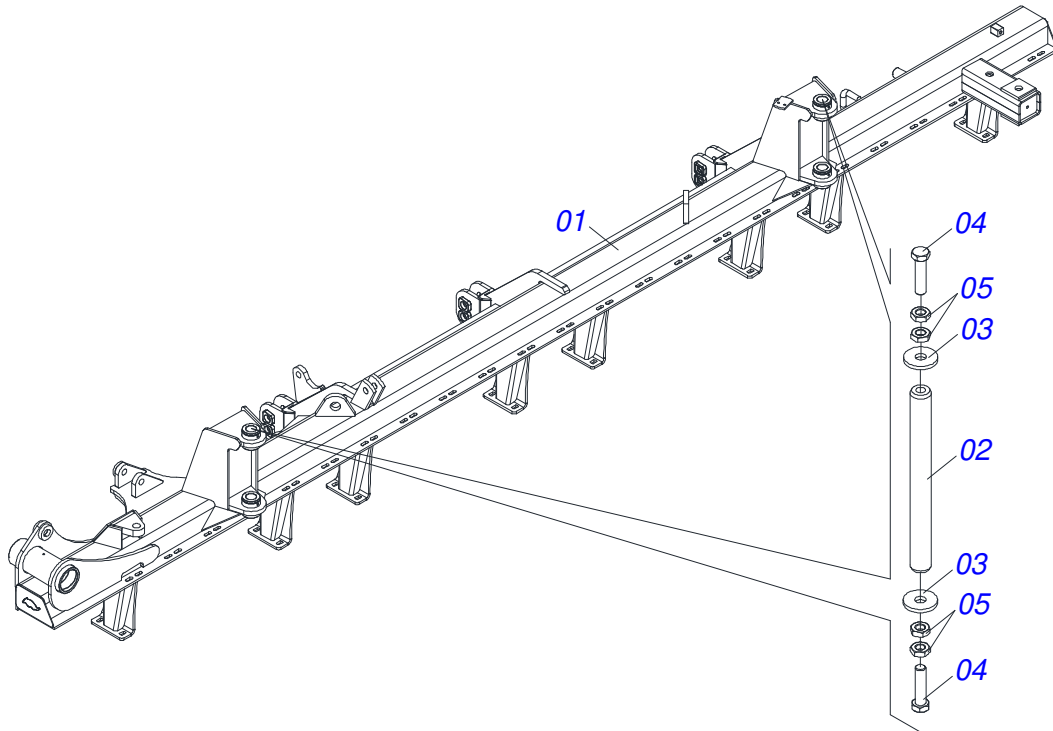


Item	Code	Description	See page	QT
01	0521048726	FRONT FRAME ASSY	2	01
02	0521048727	FRONT FRAME ASSY	4	01
03	0511068470	JOIN		01
04	0501057339	JOINT TURNBUCKLE ASSY	6	01
05	0521012868	1.4" X 5" PIVOT SHAFT		02
06	0501012916	FLAT WASHER 40 X 66 X 4,75 ZN		02
07	0503010534	3/8" X 2.1/2" SPLIT PIN		02
08		ARTICULATOR SET	7	
09	0521069095	OFFSET BAR		01
10	0531018099	37,50 X 190 COUPLING SHAFT		03
11	0501011301	1.1/2" UNC 6FPP 2.5/16" NUT		03
12	0503010010	SPLIT PIN 1/4" X 2.1/2"		03
13	0501048069	DRAWBAR ASSY	8	01
14	0511048088	DRAWBAR JACK	9	01
15	0561014251	COUPLING SHAFT		01
16	0503030012	HITCH PIN CLIP		01
17	0503013150	1300 X 3/8" CHAIN		01
18	0511068771	ARTICULATOR BODY		01
19	0501057463	TURNBUCKLE ASSY	10	01
20	0511014394	1.25" X 4.13" COUPLING SHAFT		01
21	0501017779	FLAT WASHER 32 X 60 X 4,75		03
22	0503010523	1/4" X 2" SPLIT PIN		03
23	0521010779	31.75 X 95 COUPLING SHAFT		02
24		REAR HITCH ASSEMBLY	11	
25	0551016033	AXLE		01
26	0501017779	FLAT WASHER 32 X 60 X 4,75		02
27	0503011877	0.3" X 2.4" SPRING PIN		02
28	0521069096	COUPLING SHAFT		01
29	0503031035	HITCH PIN CLIP		01
30	0521062849	HOSE HOLDER ASSY		01

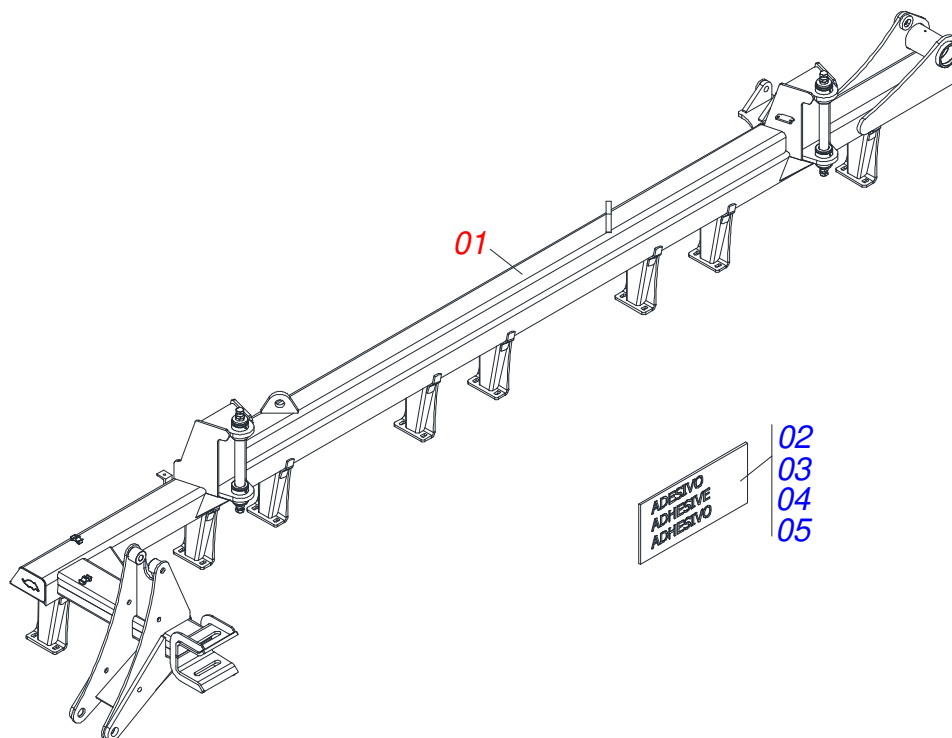
Item	Code	Description	See page	QT
31	0503010023	3/4" SPRING WASHER		01
32	0503010014	3/4" ZN G.5 (HEAVY) UNC HEX NUT		01
33	0501069350	230 PIVOT SHAFT WITH PULL		01
34	0503031035	HITCH PIN CLIP		01
35	0521011481	FRAME BATTERY		01
36	0501010108	5/8" X 1" BOLT		01
37	0571010265	16.5 X 40 X 3 FLAT WASHER		01
38	0571013284	17.5 X 90 X 4.75 FLAT WASHER		01
39	0503010002	1800 GREASE FITTING		01
40		RIGHT/LEFT WHEEL SYSTEM	13	
41	0521013678	FRONT CLEANER		48
42	0521054638	MANUAL STORAGE TUBE ASSY	16	01
43		COMPLETE HYDRAULIC CIRCUIT	17	
44	0503016140	3/4" WRENCH CABLE CYLINDRICAL		01
45	0501011431	1-3/4" GANG BOLT WRENCH		02
46	0501011432	1-1/2" AND 1-5/8 GANG BOLT WRENCH		01
47	0511010420	8.5" X 1.8" TRANSPORT LOCK		01
48	0541016844	FIXER LOCK		01
49	0503030168	HITCH PIN CLIP		01
50	0501069343	WRENCH FIXER		01
51	0521011722	FLAT WASHER		01
52	0503011334	BOLT 3/8" UNC X 3/4" CS G.5 ZN		02
53	0503010025	3/8 SPRING WASHER		02
54	0581018185	1.1/4" UNF BOLT		01
55	0503010044	SELF LOCKING NUT 1.1/4 UNF G.5 ZN		01
56	0521010779	31.75 X 95 COUPLING SHAFT		02
57	0503010523	1/4" X 2" SPLIT PIN		02
58	0501017779	FLAT WASHER 32 X 60 X 4,75		02
59	0503010751	C3/8" X 1.1/4" HEX BOLT G.5		02
60	0503010025	3/8 SPRING WASHER		02
61	0503010026	3/8" NUT		02
62	0581018185	1.1/4" UNF BOLT		01
63	0503010044	SELF LOCKING NUT 1.1/4 UNF G.5 ZN		01
64	0502010477	HOSE CLAMP		02
65	0503011135	BOLT 7/16" UNC X 1.1/2" C S G.5 ZN		02
66	0503010180	7/16" SPRING WASHER		02
67	0511042161	2.1/2" ROD STOP ASSY		01
67.	0511042162	2.1/2" ROD STOP ASSY		01
67..	0511042163	2.1/2" ROD STOP ASSY		01
67...	0511042164	2.1/2" ROD STOP ASSY		01
67....	0511042165	2.1/2" ROD STOP ASSY		01
67.....	0511042166	2.1/2" ROD STOP ASSY		01
68	0561016693	TRANSPORT LOCK		03
69	0511065926	FRONT SCRAPER SUPPORT		24
69.	0511065925	REAR SCRAPER SUPPORT		24
70	0503013842	5/8" UNC X 1-3/4" BOLT		48
71	0503010027	5/8 SPRING WASHER		48
72	0503010013	5/8" UNC G.5 ZN HEX NUT		96
73	0503013842	5/8" UNC X 1-3/4" BOLT		48
74	0501012140	FLAT WASHER 16,50 X 40 X 4,00 ZN		48
75		COMPLETE DISK SECTION	25	



Item	Code	Description	See page	QT
01	0521053837	FRONT CHASSIS SEMI-ASSEMBLED	3	01
02	0503031428	READ MANUAL DECAL		01
03	0503033647	APPROVED DECAL		01
04	0503031827	LUBRICATE AND RETIGHTEN DAILY DECAL		01
05	0503034499	HOSE IDENTIFICATION DECAL		01
06	0503034078	LIFTING POINTS DECAL		02
07	0503031738	WARNING DECAL		03
08	0503033038	DANGER DECAL		01
09	0503034438	ADHESIVE LABEL		01
10	0503034004	ALUMINUM IDENTIFICATION DECAL		01
11	0503010001	RIVET 3,2 X 5,5		04
12	0503034800	ADHESIVE GIC-TL		01
13	0503031739	DANGER DECAL		01
14	0503033246	ADHESIVE LABEL		01

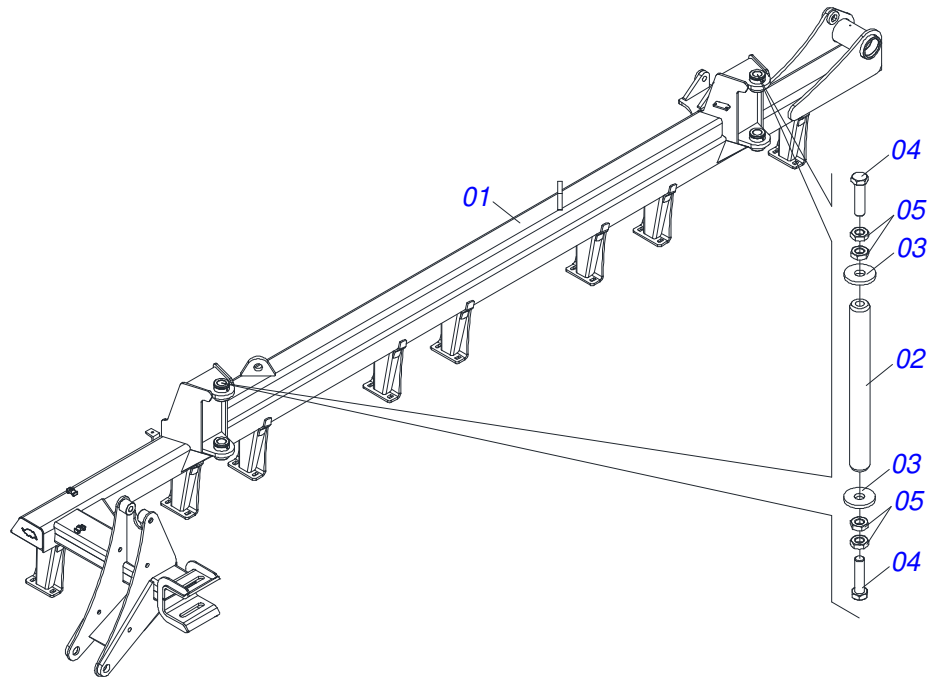


Item	Code	Description	See page	QT
01	0521069100	FRONT FRAME		01
02	0521011569	20" COUPLING SHAFT		02
03	0521011565	FLAT WASHER		04
04	0503012660	1" X 4" BOLT		04
05	0503013635	1" NUT		08

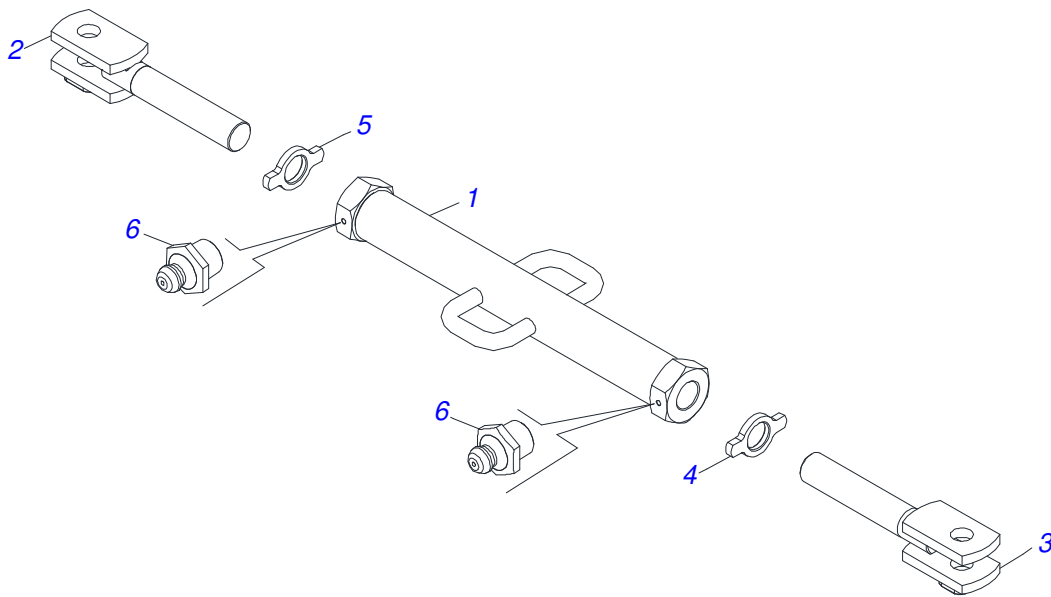


Item	Code	Description	See page	QT
01	0521053838	SEMI-ASSEMBLED REAR CHASSIS	5	01
02	0503034078	LIFTING POINTS DECAL		02
03	0503031738	WARNING DECAL		02
04	0503034800	ADHESIVE GIC-TL		01
05	0503033246	ADHESIVE LABEL		01

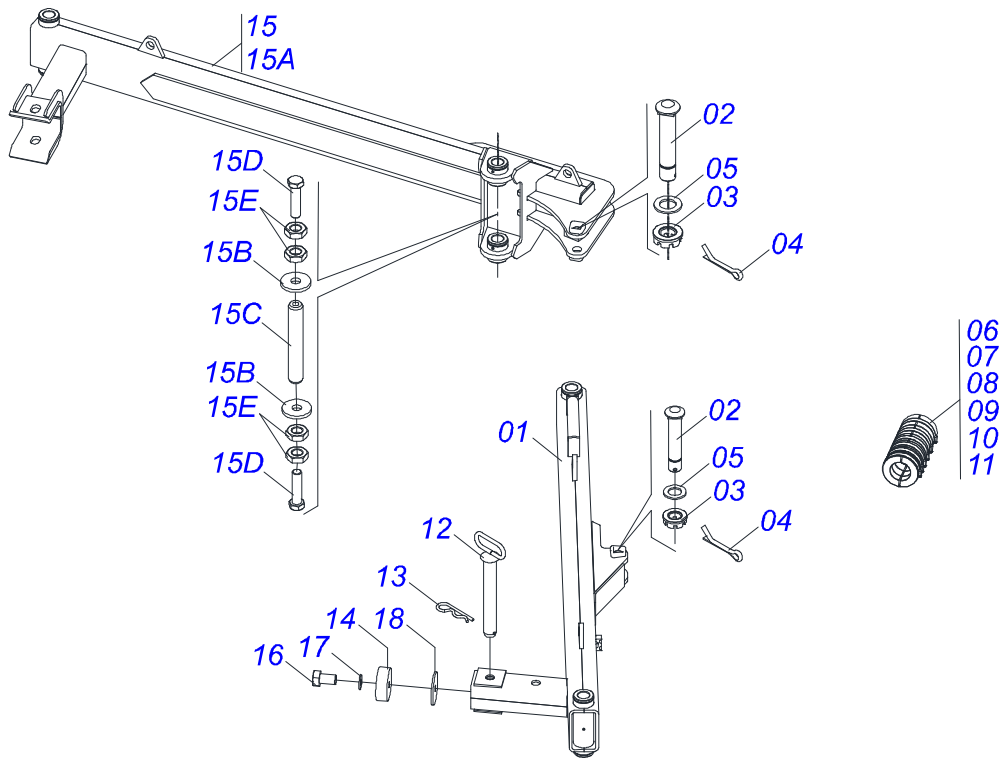




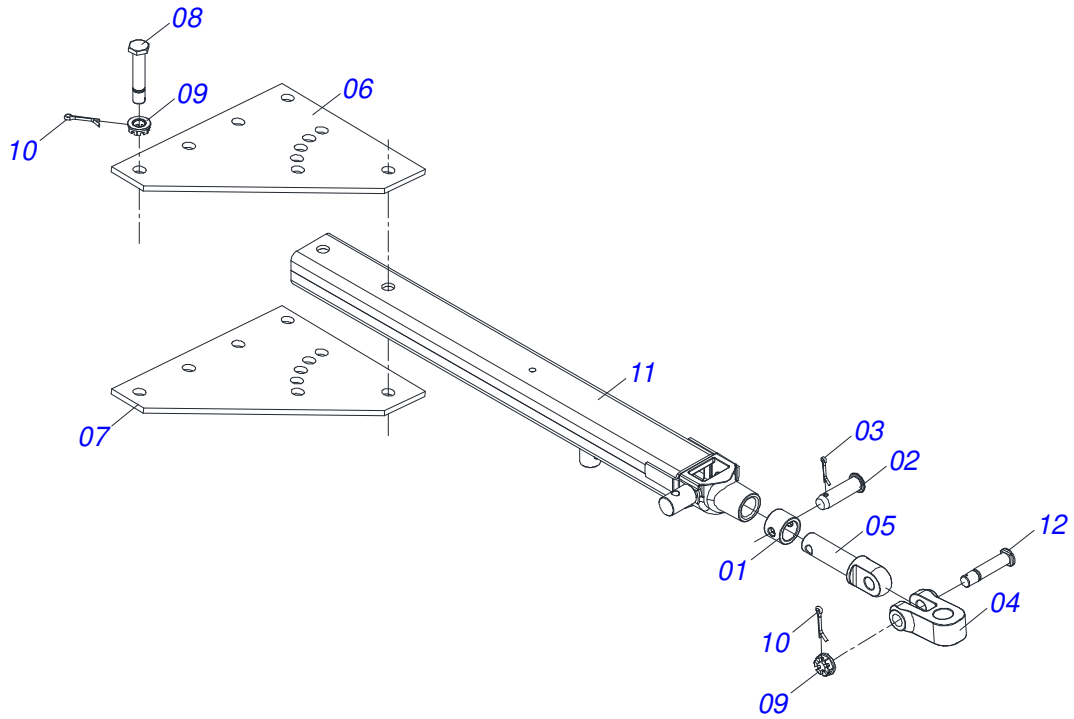
Item	Code	Description	See page	QT
01	0521069099	REAR FRAME		01
02	0521011569	20" COUPLING SHAFT		02
03	0521011565	FLAT WASHER		04
04	0503012660	1" X 4" BOLT		04
05	0503013635	1" NUT		08



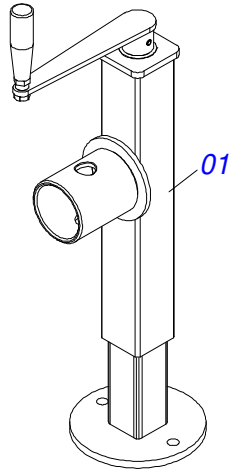
Item	Code	Description	See page	QT
01	0501069332	JOIN TURNBUCKLE		01
02	0501069333	JACK CRANK		01
03	0501069334	JACKET		01
04	0551012908	RIGHT LOCKNUT R 2-1/8"		01
05	0551012909	LEFT LOCKNUT R 2-1/8"		01
06	0503010002	1800 GREASE FITTING		02



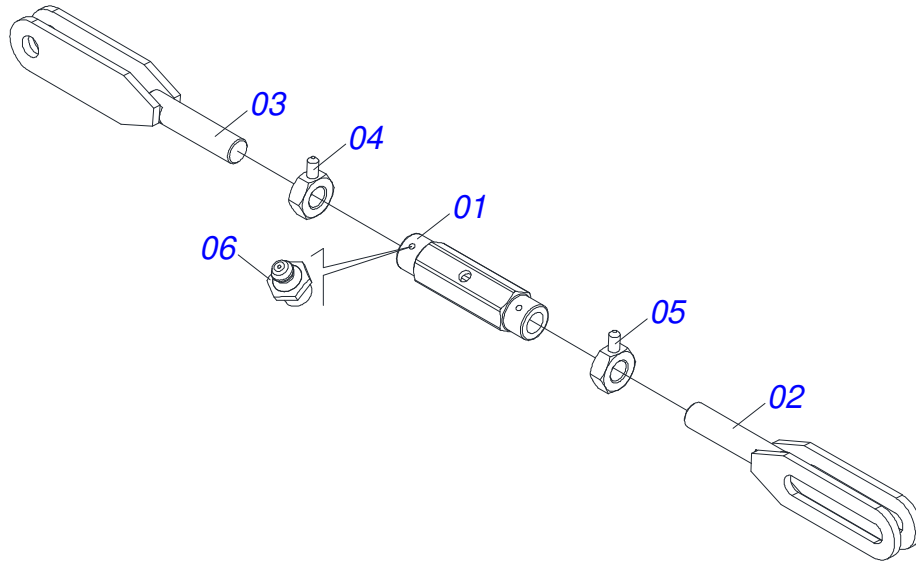
Item	Code	Description	See page	QT
01	0511067919	FRONT STABILIZER BAR		01
02	0531018100	37,50 X 200 COUPLING SHAFT		02
03	0501011301	1.1/2" UNC 6FPP 2.5/16" NUT		02
04	0503010010	SPLIT PIN 1/4" X 2.1/2"		02
05	0501012916	FLAT WASHER 40 X 66 X 4,75 ZN		02
06	0511042161	2.1/2" ROD STOP ASSY		01
07	0511042162	2.1/2" ROD STOP ASSY		01
08	0511042163	2.1/2" ROD STOP ASSY		01
09	0511042164	2.1/2" ROD STOP ASSY		01
10	0511042165	2.1/2" ROD STOP ASSY		01
11	0511042166	2.1/2" ROD STOP ASSY		01
12	0501069350	230 PIVOT SHAFT WITH PULL		01
13	0503031035	HITCH PIN CLIP		01
14	0521011481	FRAME BATTERY		01
15	0511045348	REAR STABILIZER BAR		01
15A	0511067920	STABILIZER BAR		01
15B	0521011565	FLAT WASHER		02
15C	0521011569	20" COUPLING SHAFT		01
15D	0503012660	1" X 4" BOLT		02
15E	0503013635	1" NUT		04
16	0501010108	5/8" X 1" BOLT		01
17	0571010265	16.5 X 40 X 3 FLAT WASHER		01
18	0571013284	17.5 X 90 X 4.75 FLAT WASHER		01



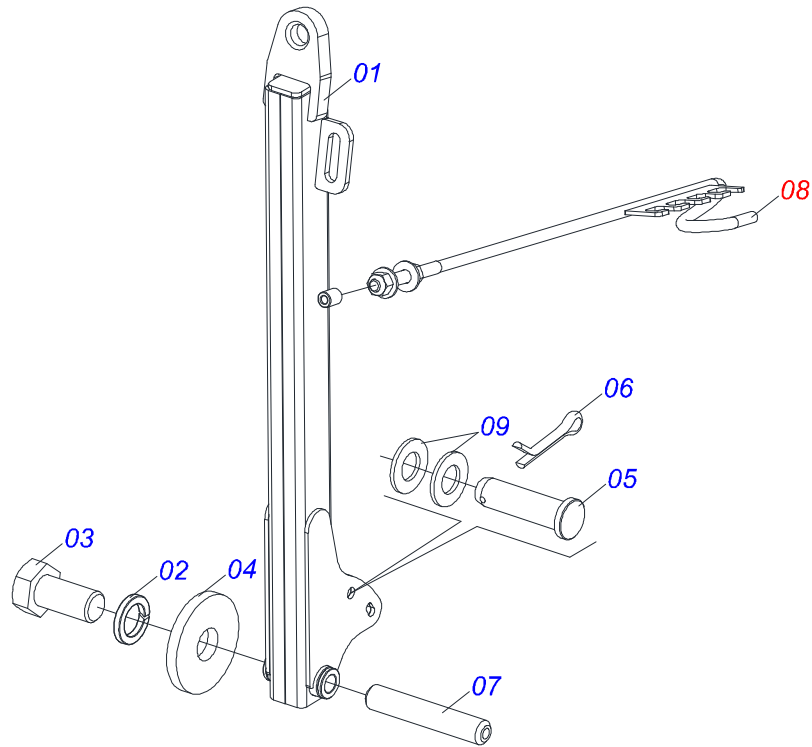
Item	Code	Description	See page	QT
01	0502040327	HITCH LOCK RING		01
02	0511014902	COUPLING SHAFT		01
03	0503010571	1/4" X 1.1/2" SPLIT PIN		01
04	1902040733	U COUPLING HOOK		01
05	0502040223	DRAWBOLT		01
06	0501069320	UPPER PLATE WITH WASHER		01
07	0501069321	LOWER PLATE WITH WASHER		01
08	0521012053	1.5" X 8.6" AXLE		06
09	0501011301	1.1/2" UNC 6FPP 2.5/16" NUT		07
10	0503010010	SPLIT PIN 1/4" X 2.1/2"		07
11	0501069323	TRACTION BAR		01
12	0521012545	COUPLING SHAFT		01



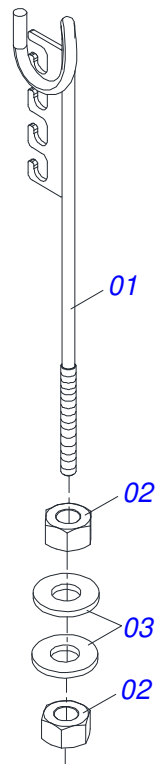
Item	Code	Description	See page	QT
01	0503062227	DRAWBAR JACK		01



Item	Code	Description	See page	QT
01	0502011469	245 ADJUSTMENT NUT		01
02	0501069339	1.1/2 RIGHT CASE		01
03	0511068350	LEFT JACK CRANK		01
04	0501069342	LOCKNUT WITH LEFT HANDLER		01
05	0501069341	LOCKNUT WITH RIGHT HANDLER		01
06	0503010002	1800 GREASE FITTING		02

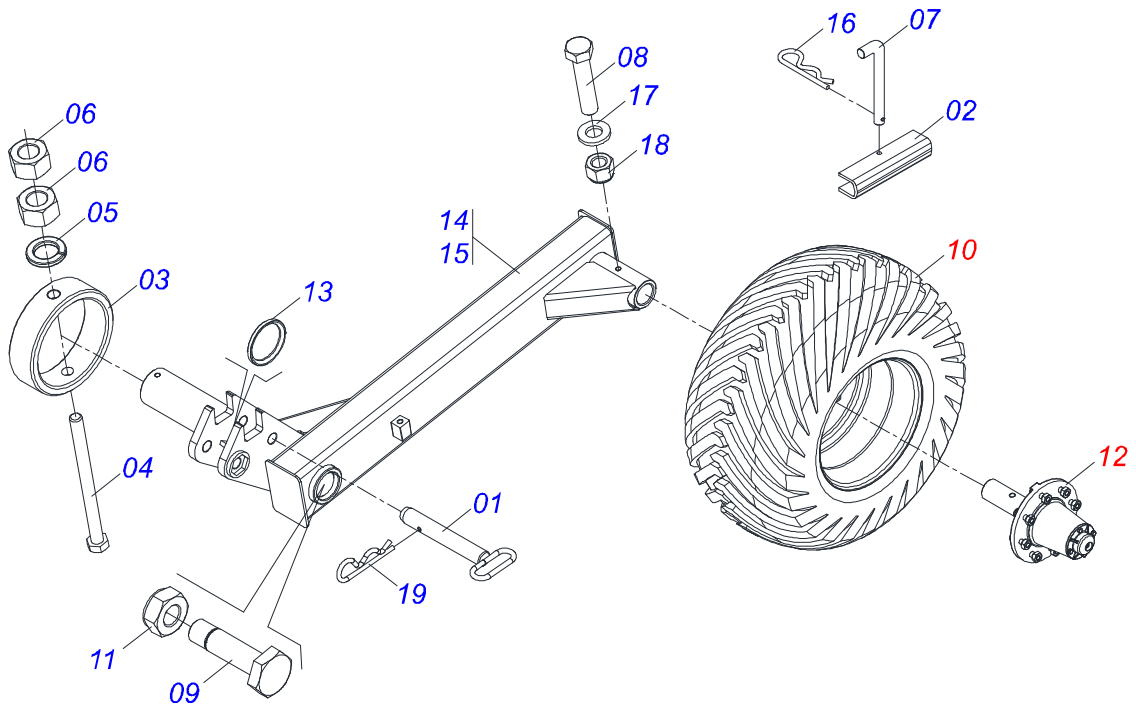


Item	Code	Description	See page	QT
01	0511068355	DRAWBAR ASSY		01
02	0503010012	1" SPRING WASHER		02
03	0503011250	1" X 2" BOLT		02
04	0521011565	FLAT WASHER		02
05	0531019171	1.25" X 7" COUPLING SHAFT		01
06	0503010523	1/4" X 2" SPLIT PIN		01
07	0551014100	COUPLING SHAFT		01
08	0501040257	3/4" X 38" HOSE SUPPORT ASSY	12	01
09	0501017779	FLAT WASHER 32 X 60 X 4,75		04

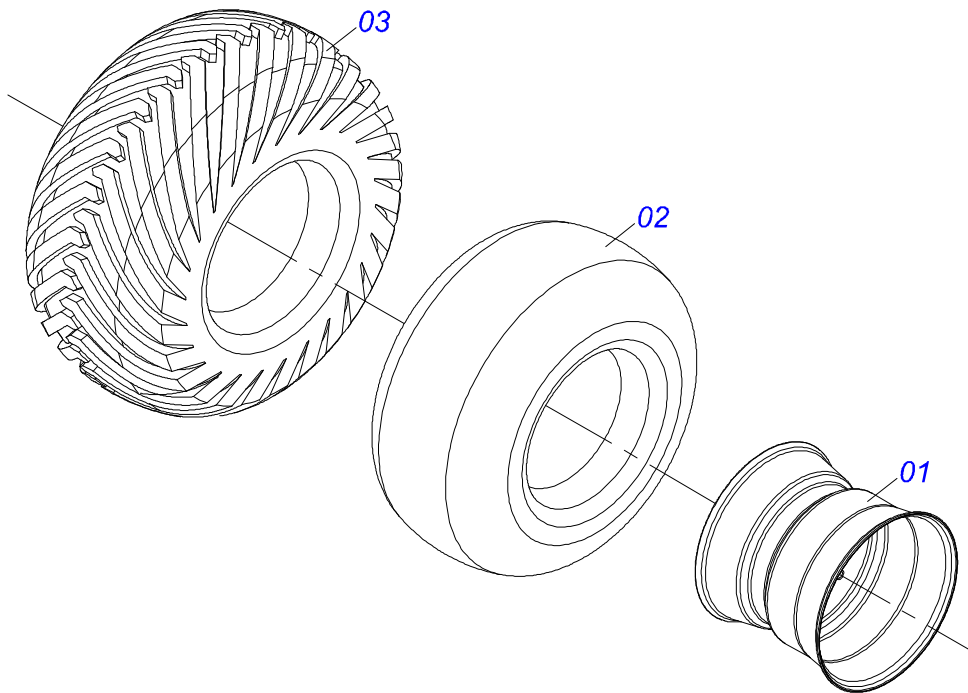


Item	Code	Description	See page	QT
01	0511067334	HOSE SUPPORT		01
02	0503010014	3/4" ZN G.5 (HEAVY) UNC HEX NUT		02
03	0501010322	20,50 X 46 X 4,00 ZN FLAT WASHER		02

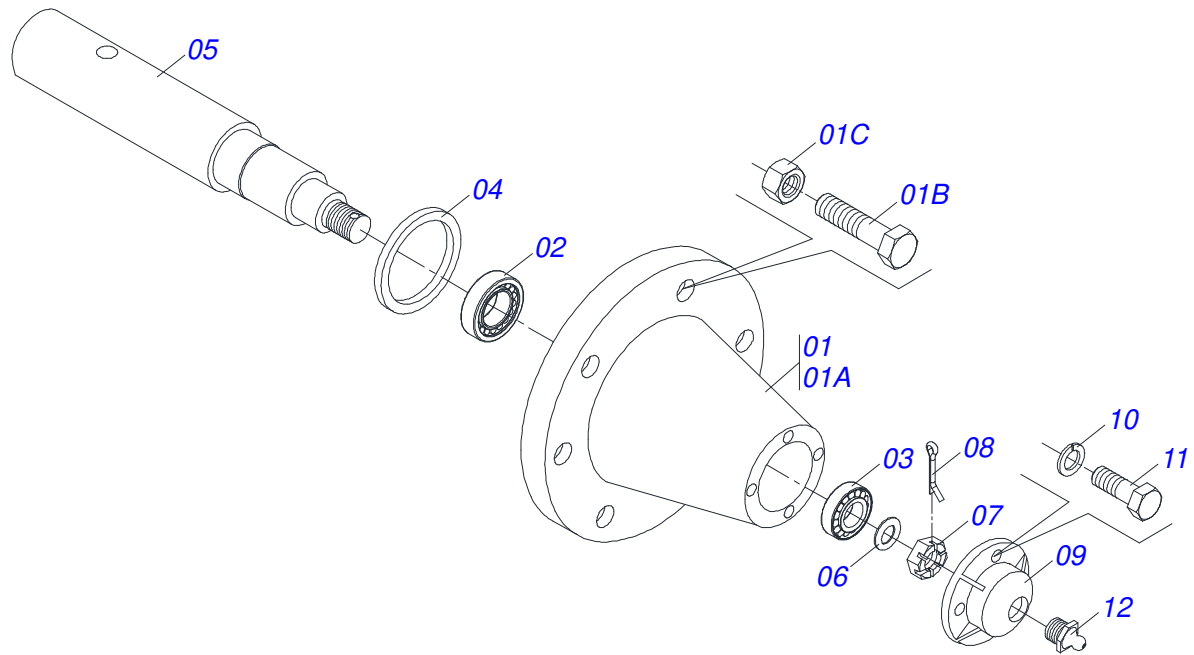




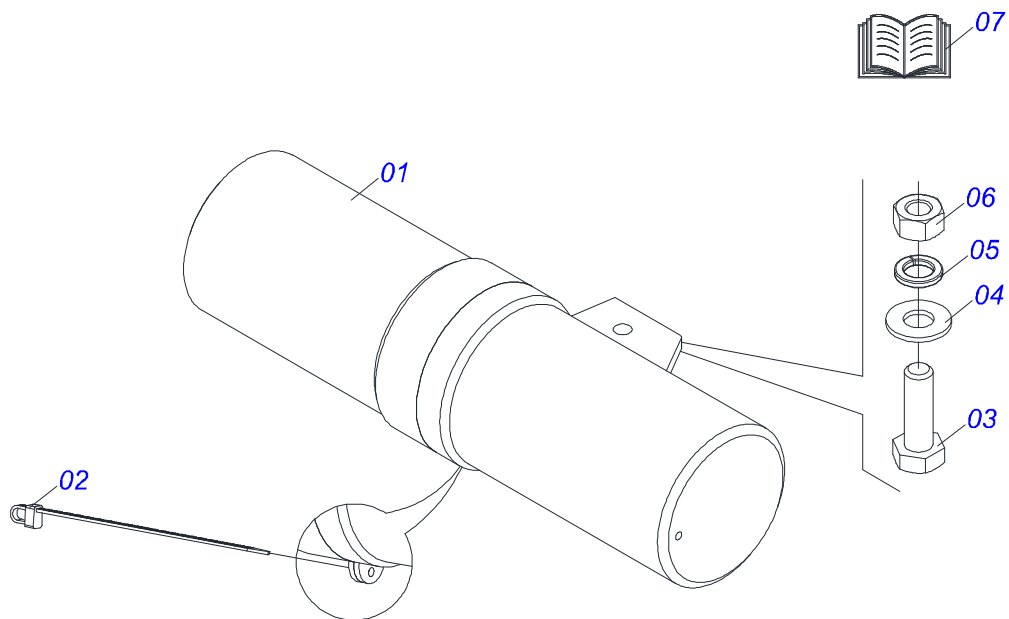
Item	Code	Description	See page	QT
01	0501069080	COUPLING SHAFT		02
02	0561016693	TRANSPORT LOCK		02
03	0521011428	4.5" X 5.5" X 1.6" SLEEVE		02
04	0503010964	BOLT		02
05	0503010019	1/2" SPRING WASHER		02
06	0503010060	1/2 UNC G.5 ZN HEX NUT		04
07	0541016844	FIXER LOCK		02
08	0503010706	BOLT 1/2 UNC X 4.1/2 C S G.5 ZN		02
09	0581018185	1.1/4" UNF BOLT		04
10	0503060102	WHEEL AND TIRE 400/60 - 14L RIGHT	14	02
11	0503010044	SELF LOCKING NUT 1.1/4 UNF G.5 ZN		04
12	0501051885	CARRYING-WHEELS	15	02
13	0581018186	FLAT WASHER		02
14	0521069961	FRONT CARRYNG WHEELS		01
15	0521069962	REAR CARRYNG WHEELS		01
16	0503030168	HITCH PIN CLIP		02
17	0511017302	FLAT WASHER 13,50 X 32,50 X 3,0 ZN		02
18	0503010589	UNC SELF ADJUSTING NUT 1/2" UNC ALTA G.5 ZN		02
19	0503031035	HITCH PIN CLIP		04



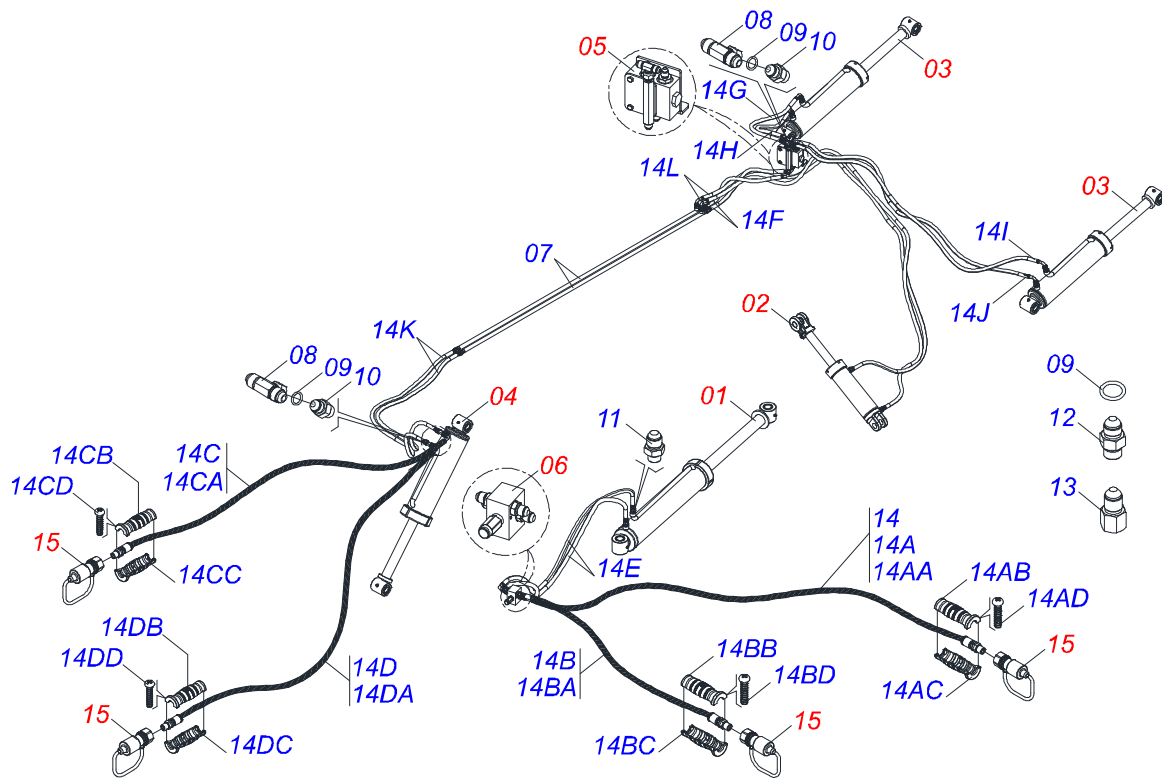
Item	Code	Description	See page	QT
01	0501069483	WHEEL 13 X 15,5 - 21FT		01
02	0503012112	400/60 - 15.5 TR 15 INNER TIRE		01
03	0503013119	CANVAS TIRE 400/60-15,5-T404-14L TRELEBORG		01



Item	Code	Description	See page	QT
01	0501110738	CARRYING WHEEL HUB 21FT		01
01A	0502012260	TRANSPORT CARRYING-WHEEL HUB		01
01B	0503010064	5/8 UNF CONIC NUT		08
01C	0501010186	WHEEL BOLT 5/8" UNF X 2.1/8CR		08
02	0503011156	2780/2720 IMP ROLLER BEARING		01
03	0503010008	3780/3720 ROLLER BEARING		01
04	0503013314	RETAINER 5166-GB 63,5 X 110 X 13 ARCA		01
05	0511012494	SPINDLE		01
06	0511012492	FLAT WASHER		01
07	0503030009	1" CASTLE NUT		01
08	0503010018	5/32" X 1-1/2" SPLIT PIN		01
09	0502020591	PROTECCION COVER		01
10	0503011444	SPRING WASHER 5/16"		04
11	0503010358	5/16" X 5/8" BOLT		04
12	0503010002	1800 GREASE FITTING		01

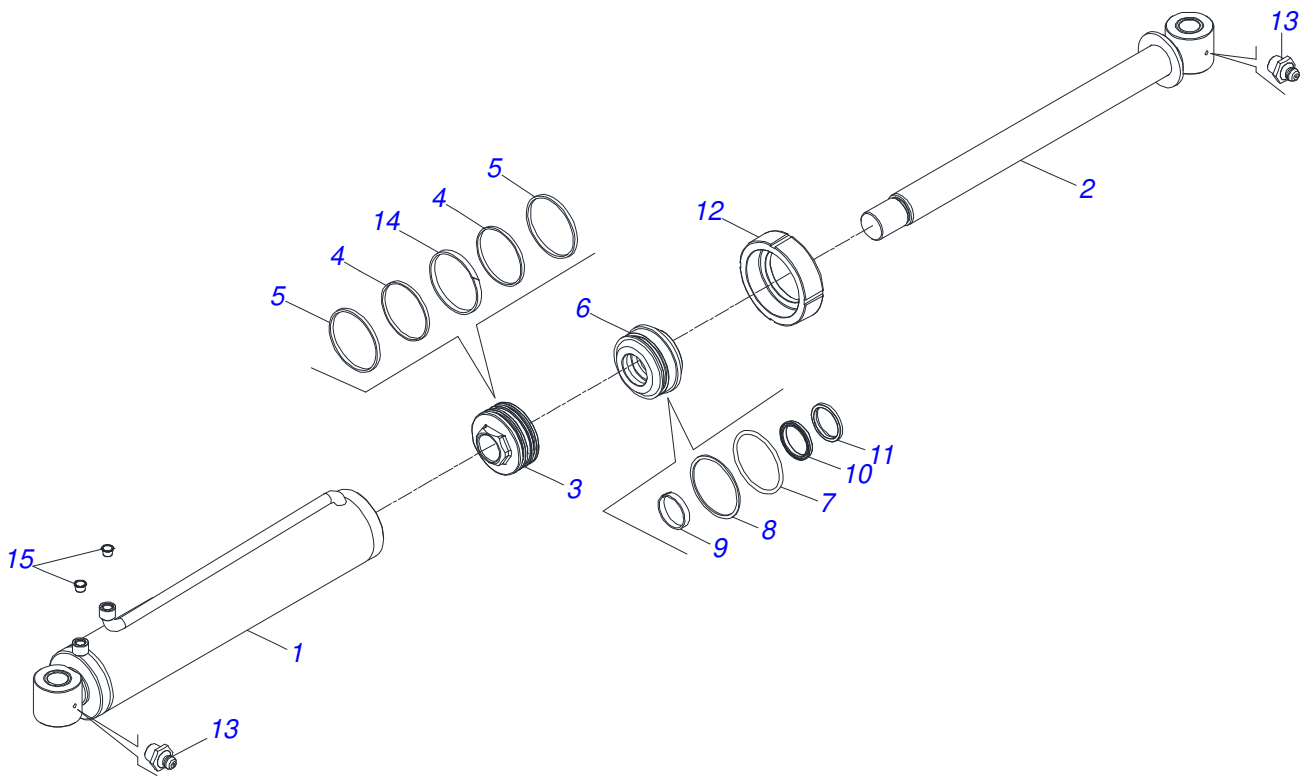


Item	Code	Description	See page	QT
01	0503060100	SUPPORT INSTRUCTION MANUAL		01
02	0503010267	NYLON CLAMP 3,60 X 1,3 X 155 MM		01
03	0503010363	BOLT 5/16 UNC X 1 C S G.2 ZN		01
04	0501010694	FLAT WASHER 32,50 X 75 X 4,75		01
05	0503010179	LOCK WASHER 5/16 ZN 1K01528		01
06	0503010337	NUT 5/16 UNC G.5 ZN		01
07	0511033428	PLASTIC COVER WITH INSTRUCTIONS MANUAL		01

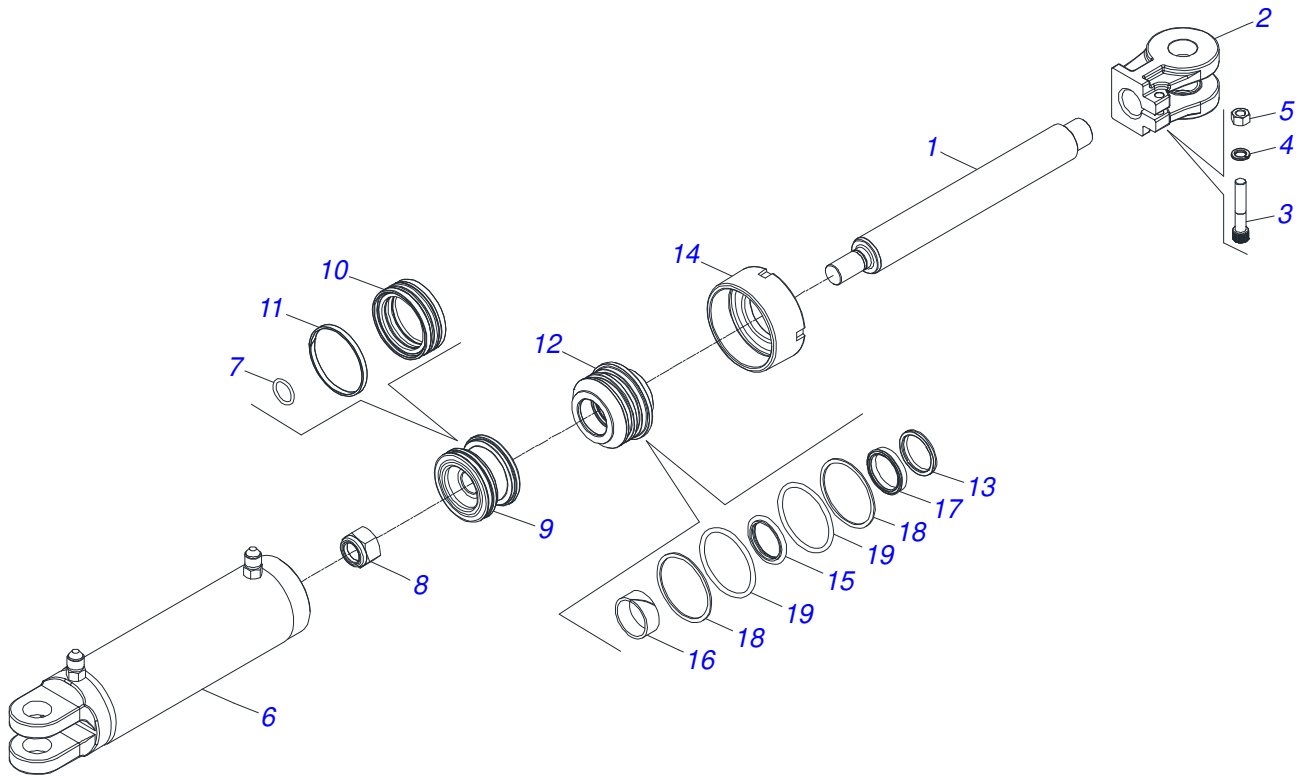


Item	Code	Description	See page	QT
01	0511045489	63,5 X 127 X 890 X 605 HYDRAULIC CIRCUIT	18	01
02	0511058424	HYDRAULIC CYLINDER	19	01
03	0521053839	53,98 X 114,30 X 654 X 346 HYDRAULIC CYLINDER	20	02
04	0521056809	53,98 X 127 X 654 X 346 HYDRAULIC CYLINDER	21	01
05	0511057534	FLOW DIVIDING VALVE	22	01
06	0501042903	DISCHARGE VALVE ASSY	23	01
07	0521069101	DISTRIBUTOR OIL TUBE		02
08	0503037376	3/4" T ADAPTER WITH SWIVEL NUT		02
09	0503010190	2-114 N 3006-9B O-RING		08
10	0501010617	NIPLE 3/4" NF X 3/4" NF HEX. 7/8" X 44		04
11	0501011460	7/8 NF REDUCTION NIPPLE		02
12	0561014252	3/4" UNF X 1" NIPPLE WITH REDUCTION		02
13	0511018012	HIDRAULIC ADAPTER		02
14	0521054619	HOSES GAME		01
14A	0521054609	HOSE TR-TM		01
14AA	0501080005	1/2 X 5500 TR-TM HOSE		01
14AB	0503034491	HYDRAULIC HOSE GRIP (PURPLE)		01
14AC	0503034495	HYDRAULIC HOSE GRIP (RED)		01
14AD	0503018952	PH 2,5 X 10 ZB PLASTIC BOLT		06
14B	0521054611	HOSE TR-TM		01
14BA	0501080005	1/2 X 5500 TR-TM HOSE		01
14BB	0503034491	HYDRAULIC HOSE GRIP (PURPLE)		01
14BC	0503034494	HYDRAULIC HOSE GRIP (BLUE)		01
14BD	0503018952	PH 2,5 X 10 ZB PLASTIC BOLT		06
14C	0521054613	TC-TM HOSE		01
14CA	0501080622	3/8" X 145.6" TC-TM HOSE ASSY		01
14CB	0503034492	HYDRAULIC HOSE GRIP (BLACK)		01
14CC	0503034495	HYDRAULIC HOSE GRIP (RED)		01
14CD	0503018952	PH 2,5 X 10 ZB PLASTIC BOLT		06
14D	0521054614	TC - TM HOSE		01

<b>Item</b>	<b>Code</b>	<b>Description</b>	<b>See page</b>	<b>QT</b>
14DA	0501080622	3/8" X 145.6" TC-TM HOSE ASSY		01
14DB	0503034492	HYDRAULIC HOSE GRIP (BLACK)		01
14DC	0503034494	HYDRAULIC HOSE GRIP (BLUE)		01
14DD	0503018952	PH 2,5 X 10 ZB PLASTIC BOLT		06
14E	0501080060	1/2" X 63" TR-TC HOSE		02
14F	0501080375	3/8" X 23,6" TR-TC HOSE		02
14G	0501080249	3/8" X 33.46" TR-TC HOSE		01
14H	0501080571	3/8" X 33" TC-TC HOSE		01
14I	0501081430	HOSE TC-TR		01
14J	0501080644	3/8" X 78.7" TC-TC HOSE ASSY		01
14K	0501080048	3/8" X 78" TR-TR HOSE ASSY		02
14L	0501080392	3/8 X 3300 TR-TC HOSE		02
15	0501053834	MALE QUICK COUPLER	24	04

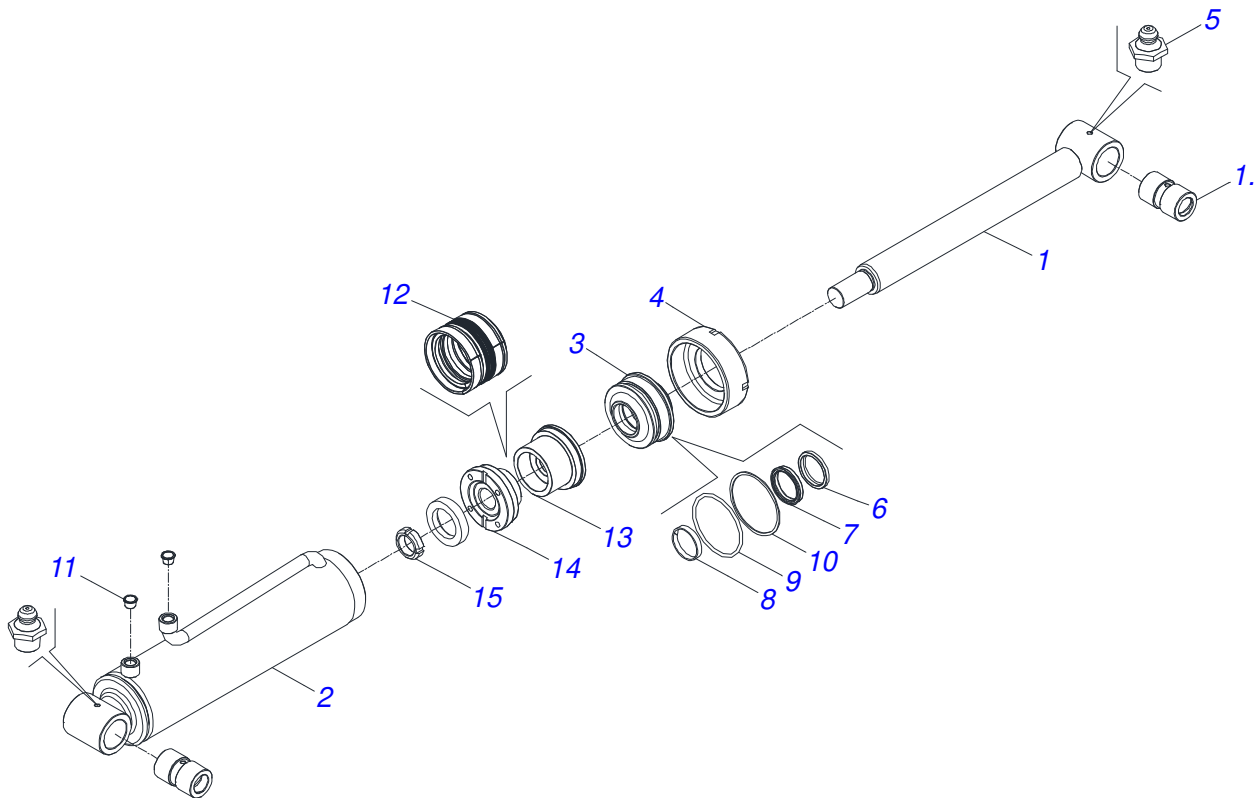


Item	Code	Description	See page	QT
01	0511068001	127 X 783 CYLINDER CASE		01
02	0511068088	63,50 X 787 TURNBUCKLE		01
03	0502011563	PISTON		01
04	0503012593	RUBBER RING		02
05	0503012592	RING (TEFLON)		02
06	0502010966	2.5" X 5" RING SUPPORT		01
07	0503010351	2-425 N 3006-9B O'RING		01
08	0503011062	8-425 BACK-UP RING		01
09	0503010971	W2-2750-500 PK RING G.I		01
10	0503010288	PACKING 2500-2500-375-B		01
11	0503010287	D-2500 SCRAPER RING		01
12	0502010382	5" END CAP		02
13	0503012590	SEAL RING		02
14	0503012590	SEAL RING		01
15	0503030384	CON PLUG N-001		02

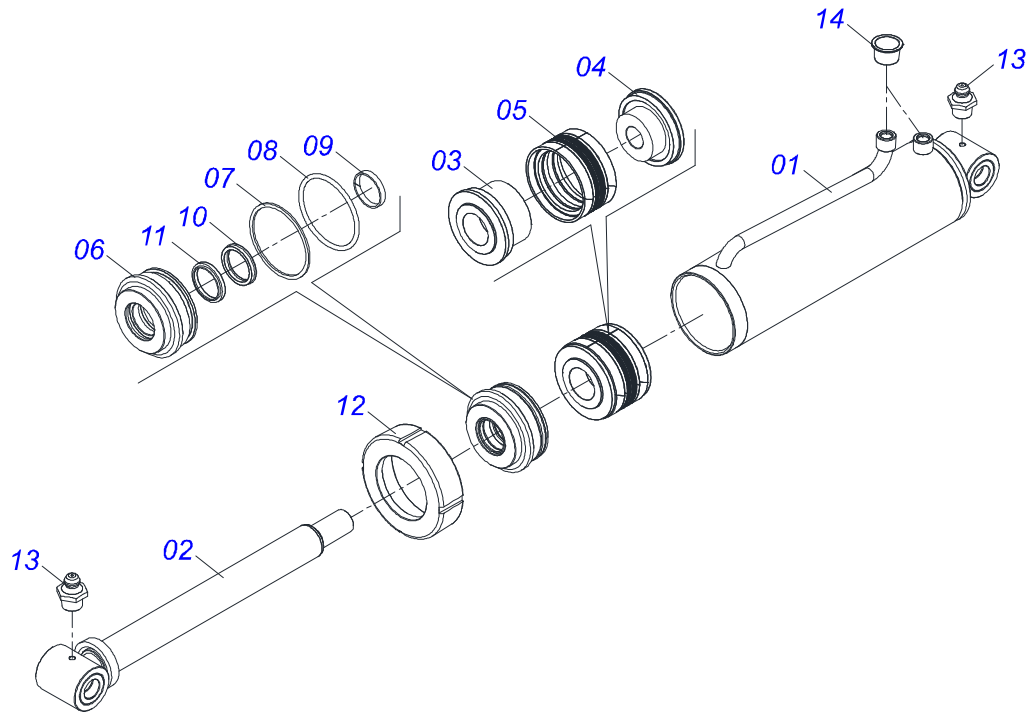


Item	Code	Description	See page	QT
01	0521010421	HYDRAULIC CYLINDER TURNBUCKLE		01
02	0502040747	32.54 CLEVIS CLAMP		01
03	0503011094	BOLT 3/8" UNC X 2" C C S I 12.9		01
04	0503010025	3/8 SPRING WASHER		01
05	0503010026	3/8" NUT		01
06	0511063257	3,4" X 12,3" CYLINDER CASE		01
07	0503010042	2-214 N 3006-9B O'RING		01
08	0503010063	1" SELF-ALIGNING NUT		01
09	0571019710	1.7" X 3.4" PISTON		01
10	0503017935	RING		01
11	0503018144	RING		01
12	0571019711	RING SUPPORT		01
13	0503010761	D-1750 SCRAPER RING		01
14	0571019709	DETACHABLE COVER		01
15	0503017936	RING		01
16	0503017938	RING GUIDE		01
17	0503017937	GASKET		01
18	0503017940	8-337 BACK-UP RING		02
19	0503017939	2-337 N 3006-9B O' RING		02

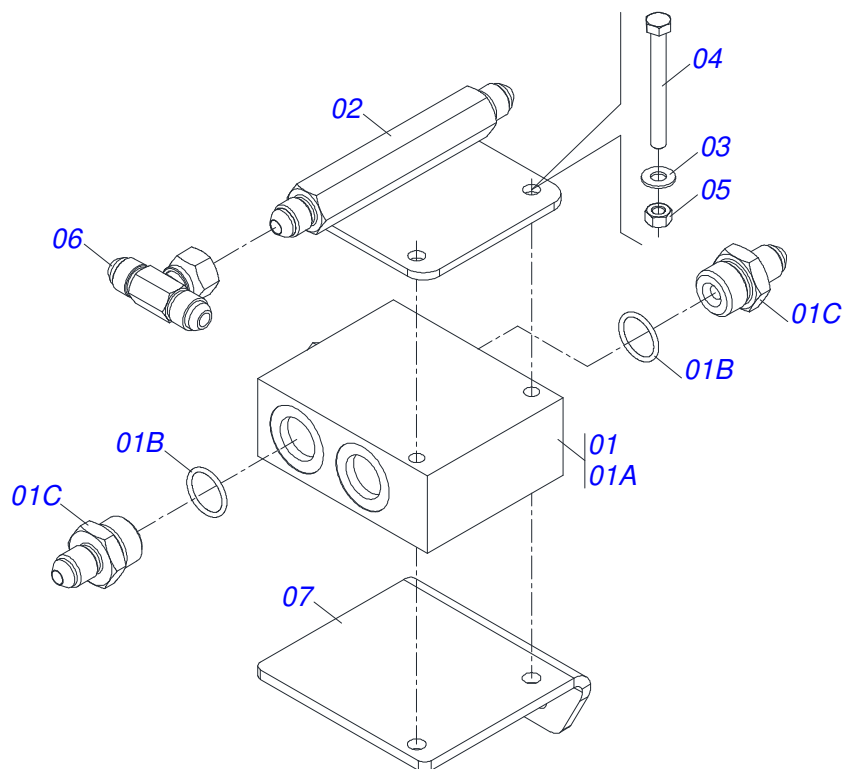




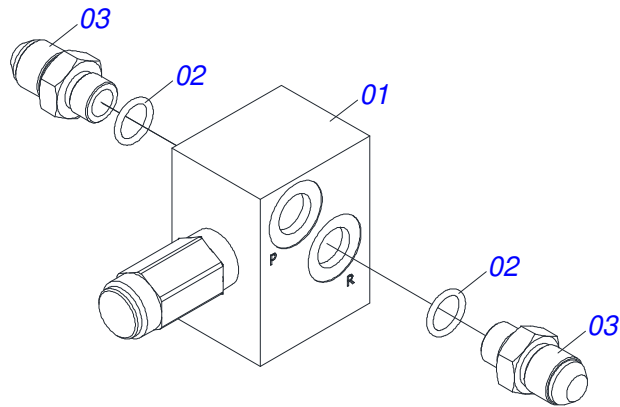
Item	Code	Description	See page	QT
001	0521061684	56,98 X 590,50 TURNBUCKLE		01
001.	0541014557	SLEEVE		02
002	0521069098	CYLINDER CASE		01
003	0502012644	RING SUPPORT		01
004	0502011222	END CAP 4 . 1/2"		01
005	0503010002	1800 GREASE FITTING		02
006	0503015715	SCRAPER SEALING		01
007	0503015642	U-CUP SEALING RUUB000970		01
008	0503015641	WEAR RING		01
009	0503011892	O' RING, 2-346 N 3006-9B		01
010	0503011893	BACK-UP RING, 8-346		01
011	0503030384	CON PLUG N-001		02
012	0503015640	SEALING SELEMASTER		01
013	0561016578	PISTON BODY		01
014	0581015283	BODY		01
015	0503819100	SCREW		01



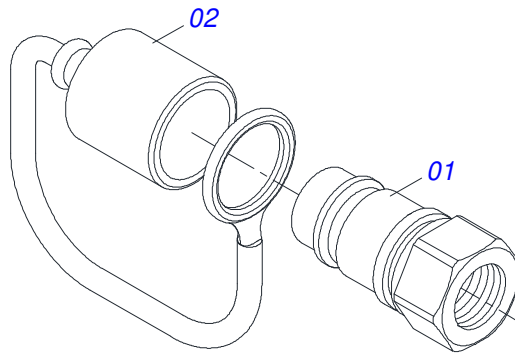
Item	Code	Description	See page	QT
01	0531060319	127 X 497 CYLINDER BARREL		01
02	0521061684	56,98 X 590,50 TURNBUCKLE		01
03	0561016583	PISTON BODY		01
04	0501213775	PISTON ASSEMBLY		01
05	0503015643	SEAL PCK 001270-N8CO		01
06	0502012646	RING SUPPORT 2.1/8" X 5"		01
07	0503011062	8-425 BACK-UP RING		01
08	0503010351	2-425 N 3006-9B O'RING		01
09	0503015641	WEAR RING		01
10	0503015642	U-CUP SEALING RUUB000970		01
11	0503015715	SCRAPER SEALING		01
12	0502010382	5" END CAP		01
13	0503010002	1800 GREASE FITTING		02
14	0503030384	CON PLUG N-001		02



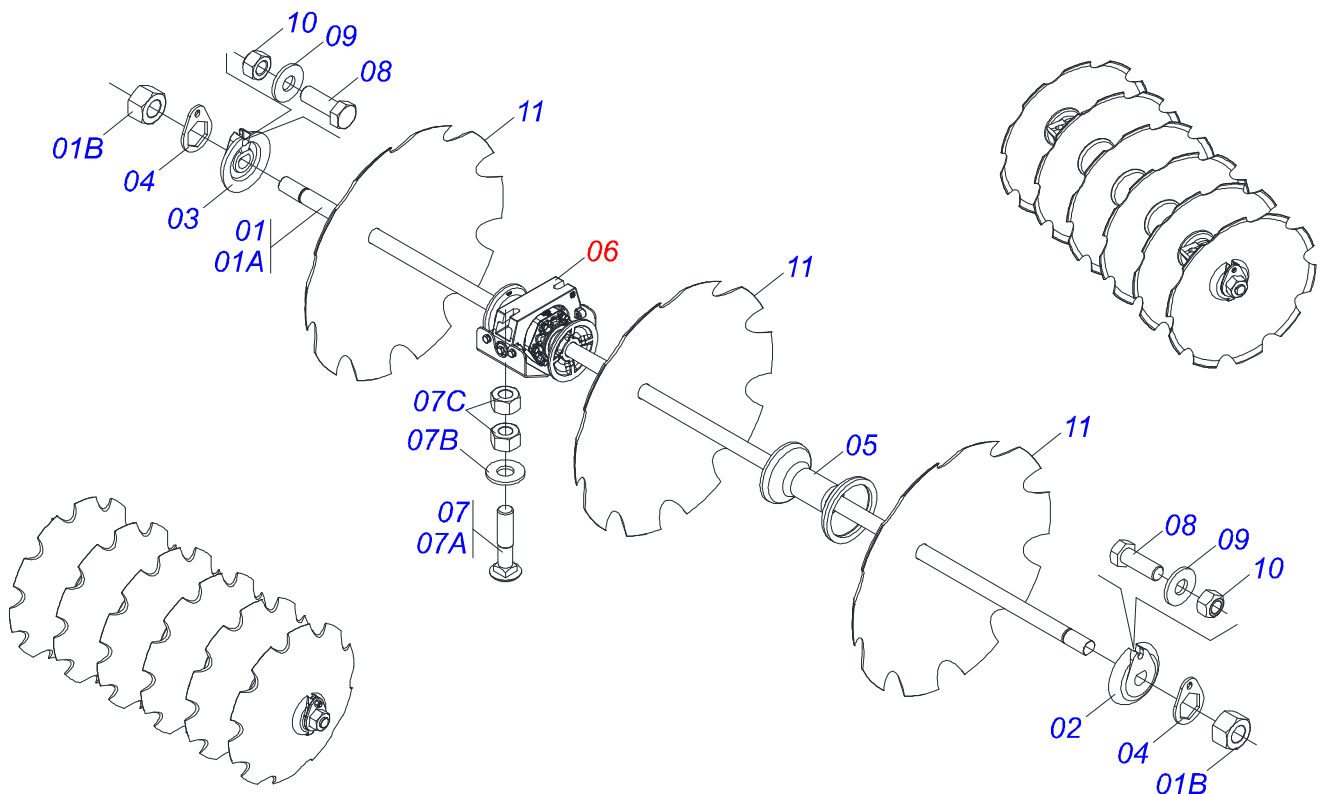
Item	Code	Description	See page	QT
01	0511057381	FLOW DIVIDING VALVE		01
01A	0503016227	FLOW DIVIDING VALVE		01
01B	0503011109	O'RING 2-119 N 3006 9B		03
01C	0521014704	HOSE NIPPLE 3/4 UNF		03
02	0521066121	OIL TUBE		01
03	0501010694	FLAT WASHER 32,50 X 75 X 4,75		02
04	0503011053	5/16" X 3" C S 6.5 ZN BOLT		02
05	0503010337	NUT 5/16 UNC G.5 ZN		02
06	0503037376	3/4" T ADAPTER WITH SWIVEL NUT		01
07	0571019627	SUPPORT VALVE		01



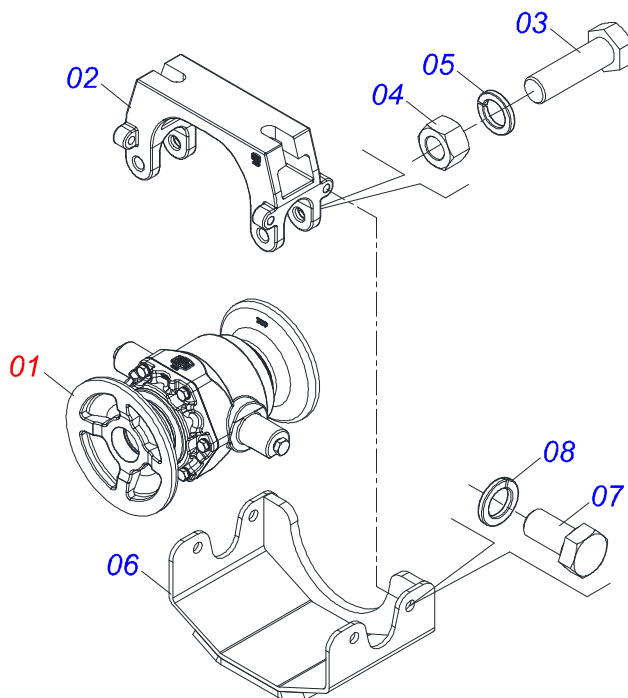
Item	Code	Description	See page	QT
01	0503010919	DISCHARGE VALVE		01
02	0503010190	2-114 N 3006-9B O'RING		04
03	0501011460	7/8 NF REDUCTION NIPPLE		04



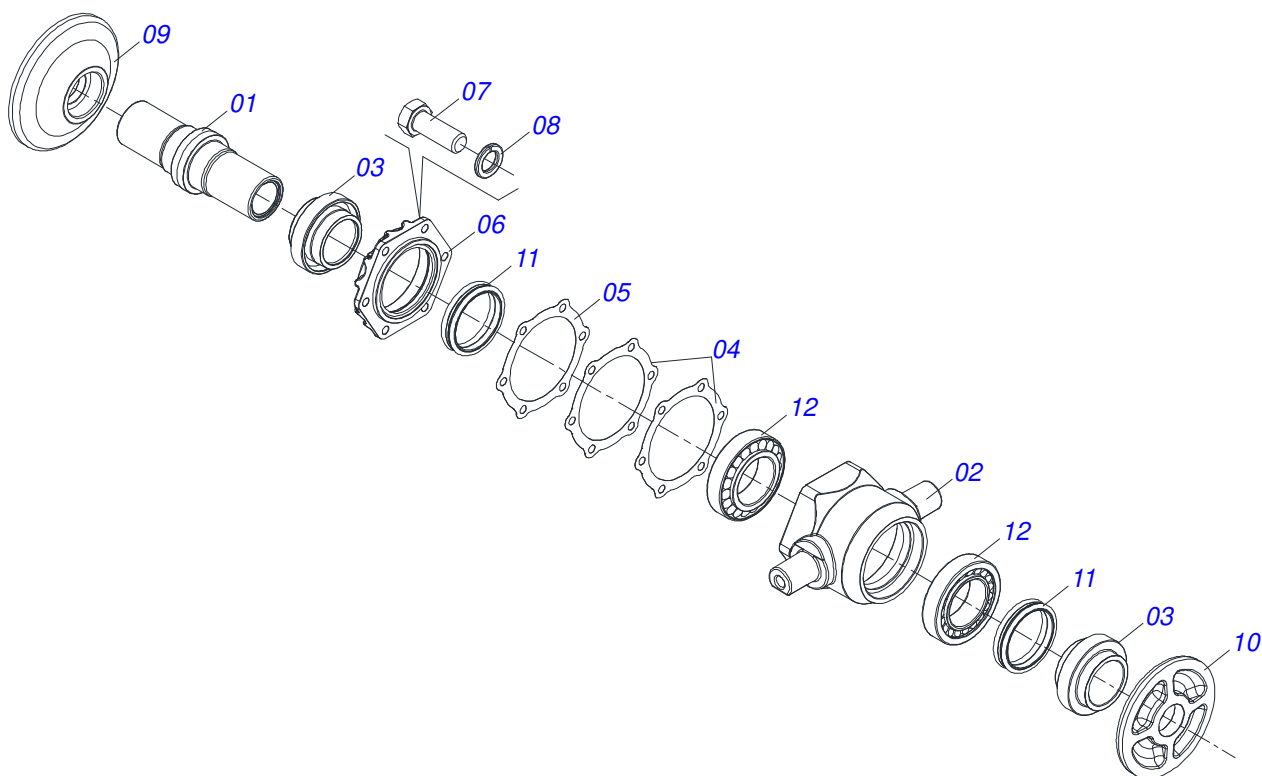
Item	Code	Description	See page	QT
01	0503011627	MALE QUICK COUPLER AGR 1/2 NPT		01
02	0503011882	MALE QUICK COUPLER CAP		01



Item	Code	Description	See page	QT
01	0501040361	1.3/4 X 1520 AXLE WITH NUT		08
01A	0501011424	1,3/4" X 1520 AXLE		01
01B	0501810333	1.3/4 NUT		02
02	0502012221	1-1/2" INNER AXLE WASHER		08
03	0502012222	1-3/4" EXTERNAL AXLE WASHER		08
04	0511014339	1-5/8" 2.8" NUT LOCK		16
05	0502010400	263 SPACER		24
06	0531045626	AGRICULTURAL BEARING DMO 262 X 1.3/4 WITH SUPPORT	26	16
07	0521047424	SCREW ASSY		32
07A	0501010500	3/4" X 3" BOLT		01
07B	0501010322	20,50 X 46 X 4,00 ZN FLAT WASHER		01
07C	0503012183	SNC 3/4" ZIN 1K03097 NUT		02
08	0503010232	5/8" X 1.3/4" BOLT		16
09	0501012140	FLAT WASHER 16,50 X 40 X 4,00 ZN		16
10	0503012412	5/8" UNC SELF LOCKING NUT		16
11	0602037001	DR 28 X 7,5 C102AF04FR1.13/16 10REC TATU		44
11.	0602040041	30 X 7,5 C105AF04FR1.13/16 10R T/CV NOTCHED DISC		44



Item	Code	Description	See page	QT
01	0531052860	AGRICULTURAL BEARING	27	01
02	0502012626	CENTER OSCILLATING BEARING SUPPORT		01
03	0503010762	SCREW 5/8 UNC X 3.1/2 CS G.5 ZN		02
04	0503010013	5/8" UNC G.5 ZN HEX NUT		02
05	0503010027	5/8 SPRING WASHER		02
06	0521067341	BEARING SWING COVER WITH ENHANCED		01
07	0503010834	1/2 X 1 BOLT		04
08	0503010019	1/2" SPRING WASHER		04



Item	Code	Description	See page	QT
01	0502010824	AXLE CM/DM		01
02	0502012343	AGRICULTURAL HOUSING BEARING		01
03	0502010823	SEAL RETAINER		02
04	0503030030	5.6" X 4.4" X 0.01" GASKET		02
05	0503030685	5.5" X 4.4" X 0.003" GASKET		01
06	0502020161	WEAR PLATE BEARING		01
07	0503010237	3/8" X 1" BOLT		06
08	0503011443	SPRING WASHER 3/8"		06
09	0502040141	OUTER FLANGE		01
10	0502040142	INNER FLANGE		01
11	0503030027	DUO-CONE SEAL		02
12	0503010104	3984/3920 ROLLER BEARING		02
13	0503010856	OIL PLUG R 3/8 BSPT		02
14	3402301275	TATU OIL		0,2 Lts







***civemasa***

**Technical Publications | Elaboration and Revision**

ALESSANDRA PATRICIA KAWAHARA CARRILI

[www.civemasa.com.br](http://www.civemasa.com.br)

