

DISK HARROWS

GIC - 16D - 1.5/8" AXLE
GIC - 16D - EIXO 1.5/8"

Code: 0501093770
Series: S-1223
Revision: 00
Revision Date: DECEMBER/2023

PARTS
CATALOGUE


CIVEMASA

PRODUCTS

Code	Working Width	Description
0121030048		GIC 16 X 28 X 6 DMO S-1223

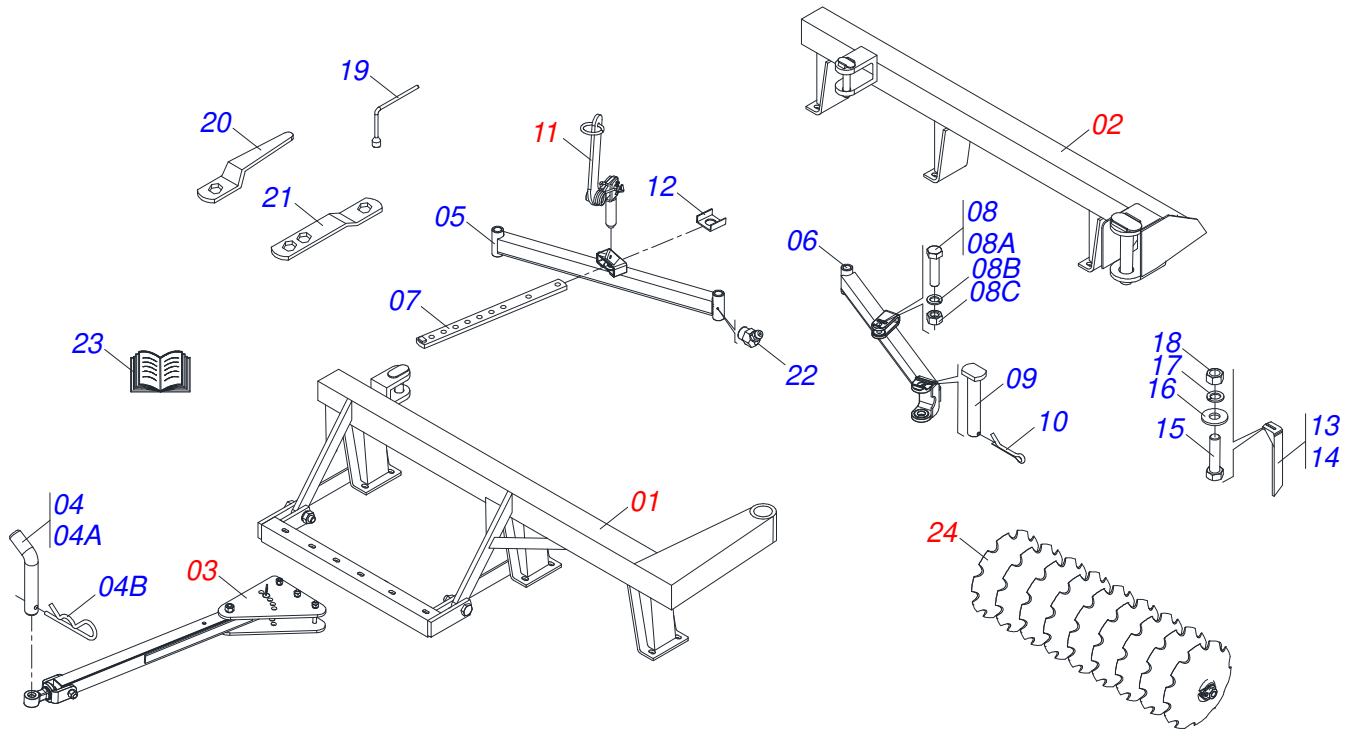
ATTENTION: IMPORTANT

CIVEMASA reserves the right to improve and/or modify the technical features of its products, without obligation to do the same with those products already sold and without prior knowledge of the dealer or the customer. The photos are only illustrative.

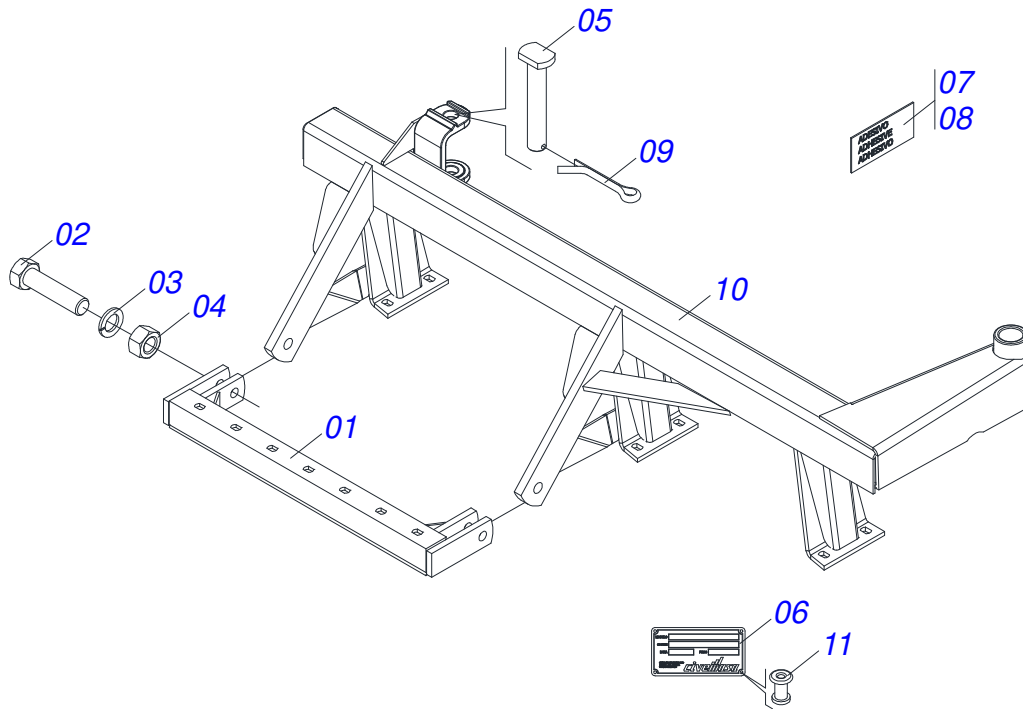


INDEX

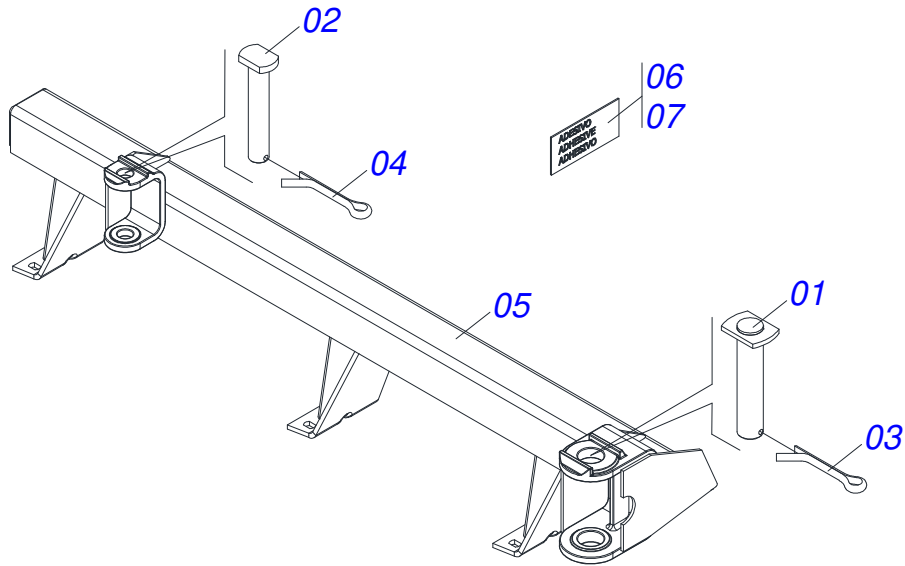
0909097037	FRAME ASSY - 16D	1
0521040895	FRONT FRAME ASSY	2
0501043825	REAR FRAME ASSY	3
0501042816	TRACTION BAR ASSY	4
0501047858	ADJUSTMENT LEVER ASSY	5
0909097038	DISC GANG ASSY - 16D	6
0511048375	DMO 262 X 1.5/8 AGRICULTURAL BEARING ASSY	7
0501059733	DMO 262 X 1.5/8 AGRICULTURAL BEARING	8



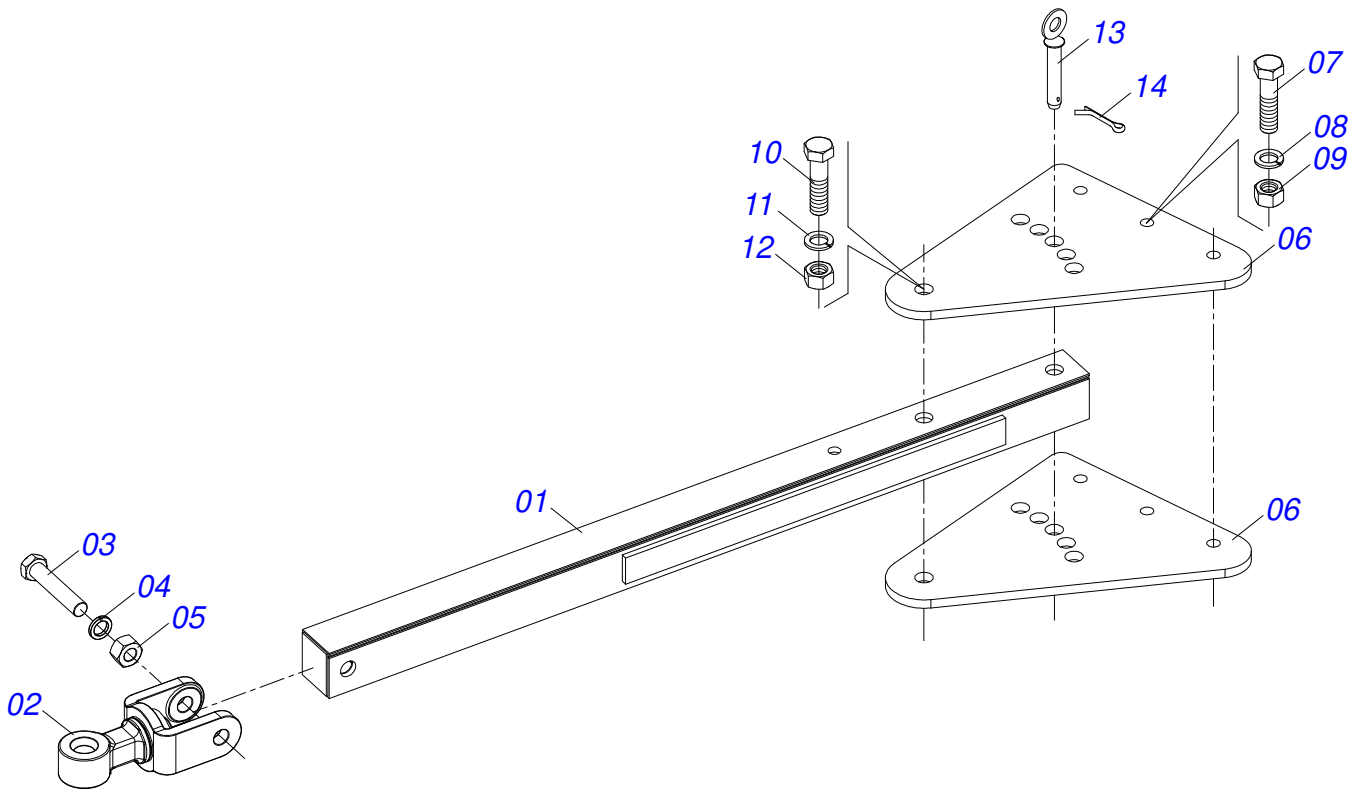
Item	Code	Description	See page	QT
01	0521040895	FRONT FRAME ASSY	2	01
02	0501043825	REAR FRAME ASSY	3	01
03	0501042816	TRACTION BAR ASSY	4	01
04	0501040343	HITCH AXIS ASSY		01
04A	0521010453	JOINT AXIS		01
04B	0503031035	HITCH PIN CLIP		01
05	0501062506	FRONT STABILIZER BAR		01
06	0501062508	REAR STABILIZER BAR		01
07	0501064197	ADJUSTMENT BAR		01
08	0501040852	1" X 4" BOLT ASSY		01
08A	0503011432	BOLT		01
08B	0503010012	1" SPRING WASHER		01
08C	0501010059	1.5/8 NUT		01
09	0521010644	1.5" X 8.4" COUPLING SHAFT		01
10	0503010534	3/8" X 2.1/2" SPLIT PIN		01
11	0501047858	ADJUSTMENT LEVER ASSY	5	01
12	0501011649	U 1.2" X 3.1" X 3/16" BAR		01
13	0501064168	FRONT SCRAPER		04
14	0501064167	REAR SCRAPER		04
15	0503011082	C1/2" X 1.3/4" SCREW		16
16	0511017302	FLAT WASHER 13,50 X 32,50 X 3,0 ZN		16
17	0503010019	1/2" SPRING WASHER		16
18	0503010060	1/2 UNC G.5 ZN HEX NUT		16
19	0503016140	3/4" WRENCH CABLE CYLINDRICAL		01
20	0501011431	1-3/4" GANG BOLT WRENCH		02
21	0511018451	5/8" X 3/4" X 1" UNIVERSAL		01
22	0503010003	1845 GREASE FITTING		01
23	0511031644	BAG WITH INSTRUCTION MANUAL		01
24		DISC GANG ASSY - 16D	6	



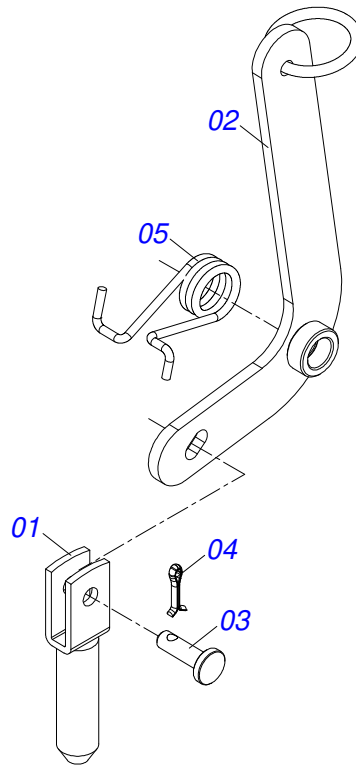
Item	Code	Description	See page	QT
01	0501065545	OFFSET BAR		01
02	0501011547	1" X 4-1/2" BOLT		02
03	0503011438	SPRING WASHER		02
04	0501010059	1.5/8 NUT		02
05	0521010644	1.5" X 8.4" COUPLING SHAFT		01
06	0503034004	ALUMINUM IDENTIFICATION DECAL		01
07	0503033689	GIC DECAL		02
08	0503033244	CIVEMASA LOGO DECAL		02
09	0503010534	3/8" X 2.1/2" SPLIT PIN		01
10	0521063225	FRONT FRAME		01
11	0503010001	RIVET 3,2 X 5,5		04



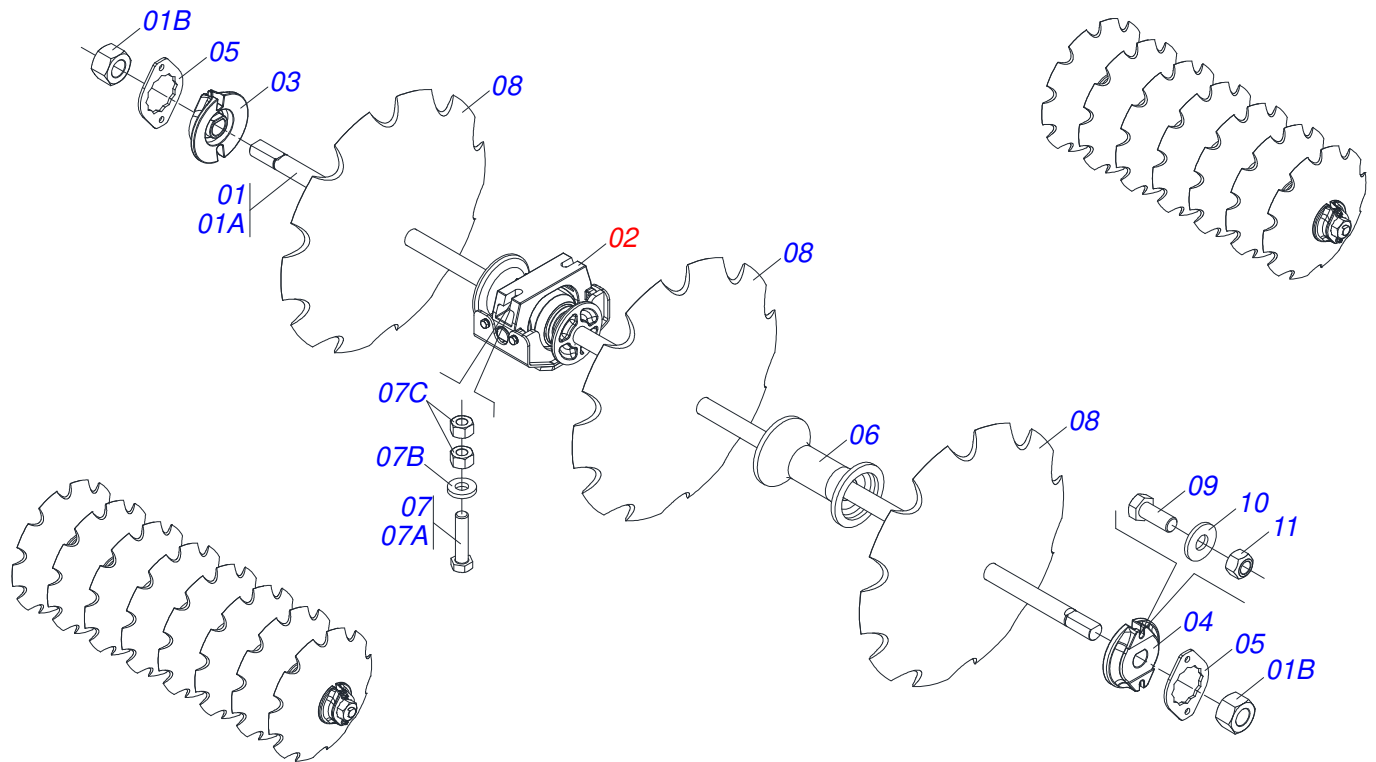
Item	Code	Description	See page	QT
01	0501065487	2.4" X 123" COUPLING SHAFT		01
02	0521010644	1.5" X 8.4" COUPLING SHAFT		01
03	0503010073	3/8" X 3.1/2" SPLIT PIN		01
04	0503010534	3/8" X 2.1/2" SPLIT PIN		01
05	0501065527	REAR FRAME		01
06	0503034120	GAI DECAL		01
07	0503033427	TATU LOGO DECAL		01



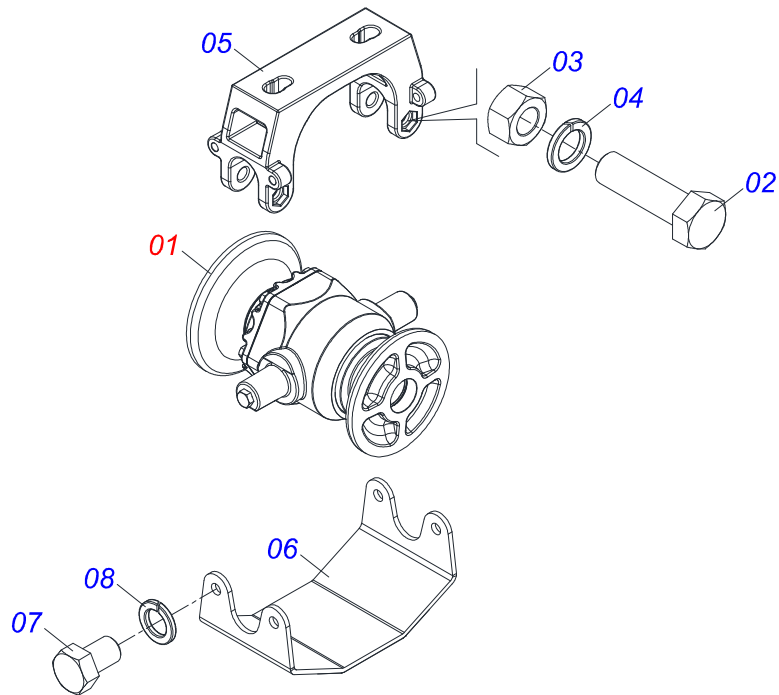
Item	Code	Description	See page	QT
01	0501060188	DRAWBAR ASSY		01
02	0521061775	TRACTOR HITCH		01
03	0501010060	1" X 6-1/2" BOLT		01
04	0503011438	SPRING WASHER		01
05	0501010059	1.5/8 NUT		01
06	0501010241	UPPER /LOWER PLATE		02
07	0503011198	BOLT 3/4" UNC X 6" CS G.5		03
08	0503011442	3/4" SPRING WASHER		03
09	0503010014	3/4" ZN G.5 (HEAVY) UNC HEX NUT		03
10	0501010191	1" X 6" BOLT		01
11	0503011438	SPRING WASHER		01
12	0501010059	1.5/8 NUT		01
13	0501068993	0.9" X 5.5" COUPLING SHAFT		01
14	0503010571	1/4" X 1.1/2" SPLIT PIN		01



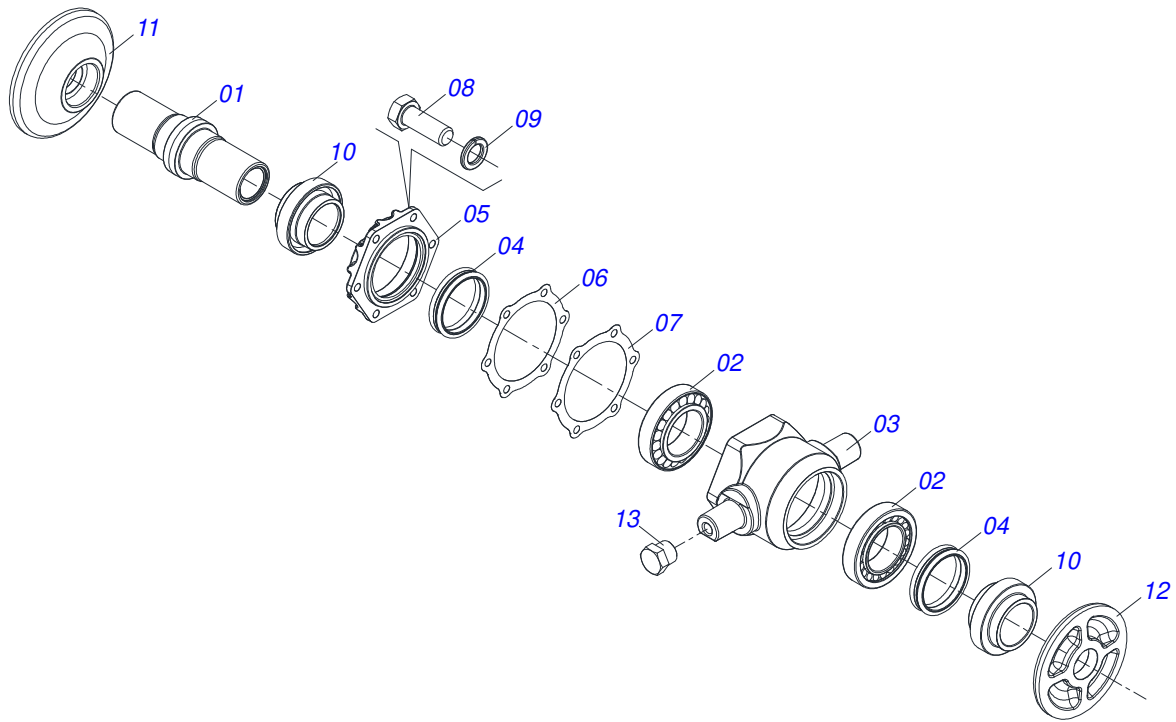
Item	Code	Description	See page	QT
01	0501060185	ADJUSTMENT LOCK		01
02	0501068981	ADJUSTMENT LEVER		01
03	0521010624	0.4" X 1.5" COUPLING SHAFT		01
04	0503010071	3/16" X 1" SPLIT PIN		01
05	0503030025	1.4" X 0.2" TORSION SPRING		01



Item	Code	Description	See page	QT
01	0501046861	1-5/8" X 80" AXLE WITH NUTS 2-3/4"		02
01A	0501019015	1-5/8 X 80" AXLE		01
01B	0502040640	1.5/8" 2.3/4" NUT		02
02	0511048375	DMO 262 X 1.5/8 AGRICULTURAL BEARING ASSY	7	06
03	0502011047	1-5/8" INNER AXLE WASHER		02
04	0502011048	1-5/8" EXTERNAL AXLE WASHER		02
05	0511014339	1-5/8" 2.8" NUT LOCK		04
06	0502010703	10.35" 1-5/8" SPACER		08
07	0521047424	SCREW ASSY		12
07A	0501010500	3/4" X 3" BOLT		01
07B	0501010322	20,50 X 46 X 4,00 ZN FLAT WASHER		01
07C	0503012183	SNC 3/4" ZIN 1K03097 NUT		02
08	0602037004	DR 28 X 6 C102AF04FR1.11/16 10REC TATU		16
09	0503011267	BOLT 5/8" UNC X 1.1/2 C S G.5 ZN		04
10	0501012140	FLAT WASHER 16,50 X 40 X 4,00 ZN		04
11	0503012412	5/8" UNC SELF LOCKING NUT		04



Item	Code	Description	See page	QT
01	0501059733	DMO 262 X 1.5/8 AGRICULTURAL BEARING	8	01
02	0503010762	SCREW 5/8 UNC X 3.1/2 CS G.5 ZN		02
03	0503010013	5/8" UNC G.5 ZN HEX NUT		02
04	0503010027	5/8 SPRING WASHER		02
05	0502012626	CENTER OSCILLATING BEARING SUPPORT		01
06	0501213922	BEARING LID		01
07	0503010834	1/2 X 1 BOLT		04
08	0503010019	1/2" SPRING WASHER		04



Item	Code	Description	See page	QT
01	0502010900	BEARING AXLE		01
02	0503010005	32212 ROLLER BEARING		02
03	0502020691	BEARING HUB		01
04	0503030027	DUO-CONE SEAL		02
05	0502020161	WEAR PLATE BEARING		01
06	0503030030	5.6" X 4.4" X 0.01" GASKET		02
07	0503030685	5.5" X 4.4" X 0.003" GASKET		01
08	0503010237	3/8" X 1" BOLT		06
09	0503011443	SPRING WASHER 3/8"		06
10	0502010735	SEAL RETAINER		02
11	0502040239	OUTER FLANGE		01
12	0502040240	INNER FLANGE		01
13	0503010856	OIL PLUG R 3/8 BSPT		02



civemasa

Technical Publications | Elaboration and Revision
LEONARDO JOSÉ DA SILVA SOUZA

www.civemasa.com.br

