

**DISK HARROWS**

**GDFR D 60D**  
**GDFR D 60D**

**Code:** 0501093737  
**Series:** S-1123  
**Revision:** 00  
**Revision Date:** DECEMBER/2023

**PARTS**  
**CATALOGUE**

***CIVEMASA***

An orange rectangular bar is positioned at the top left of the page, above the "PRODUCTS" heading.

# PRODUCTS

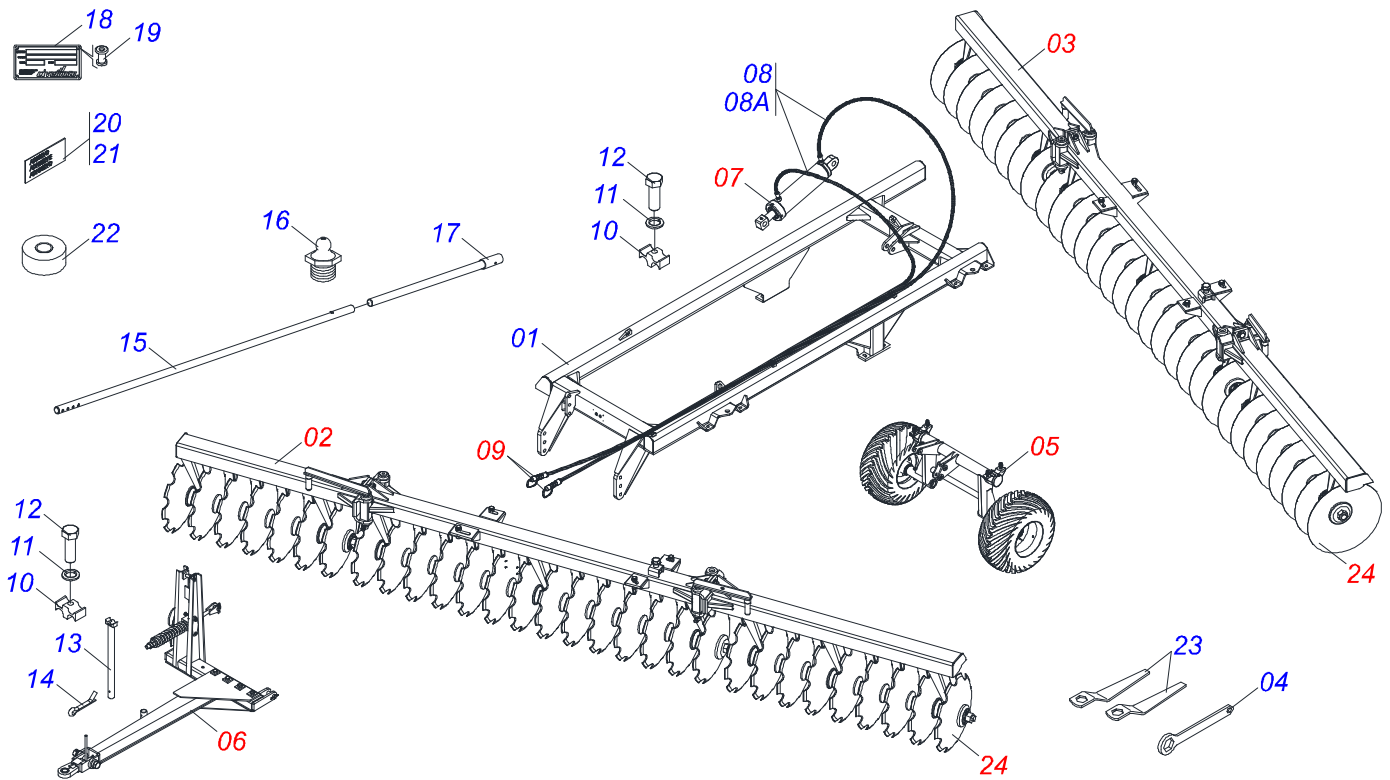
Code	Working Width	Description
0120130025		GDFR D 60 X 22 X 4,5 MT DMO M E 1.1/2 PN400/60 S-1

## ATTENTION: IMPORTANT

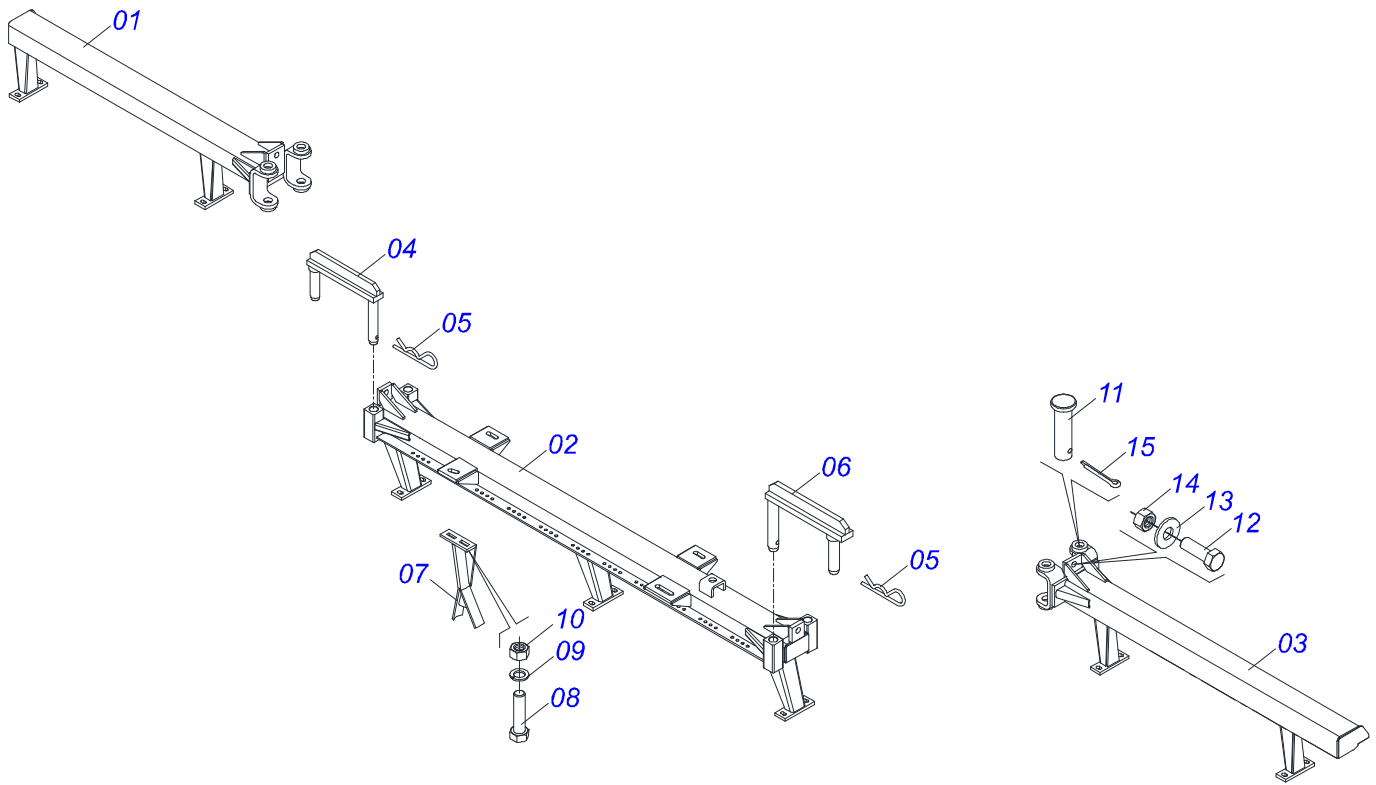
CIVEMASA reserves the right to improve and/or modify the technical features of its products, without obligation to do the same with those products already sold and without prior knowledge of the dealer or the customer. The photos are only illustrative.

# INDEX

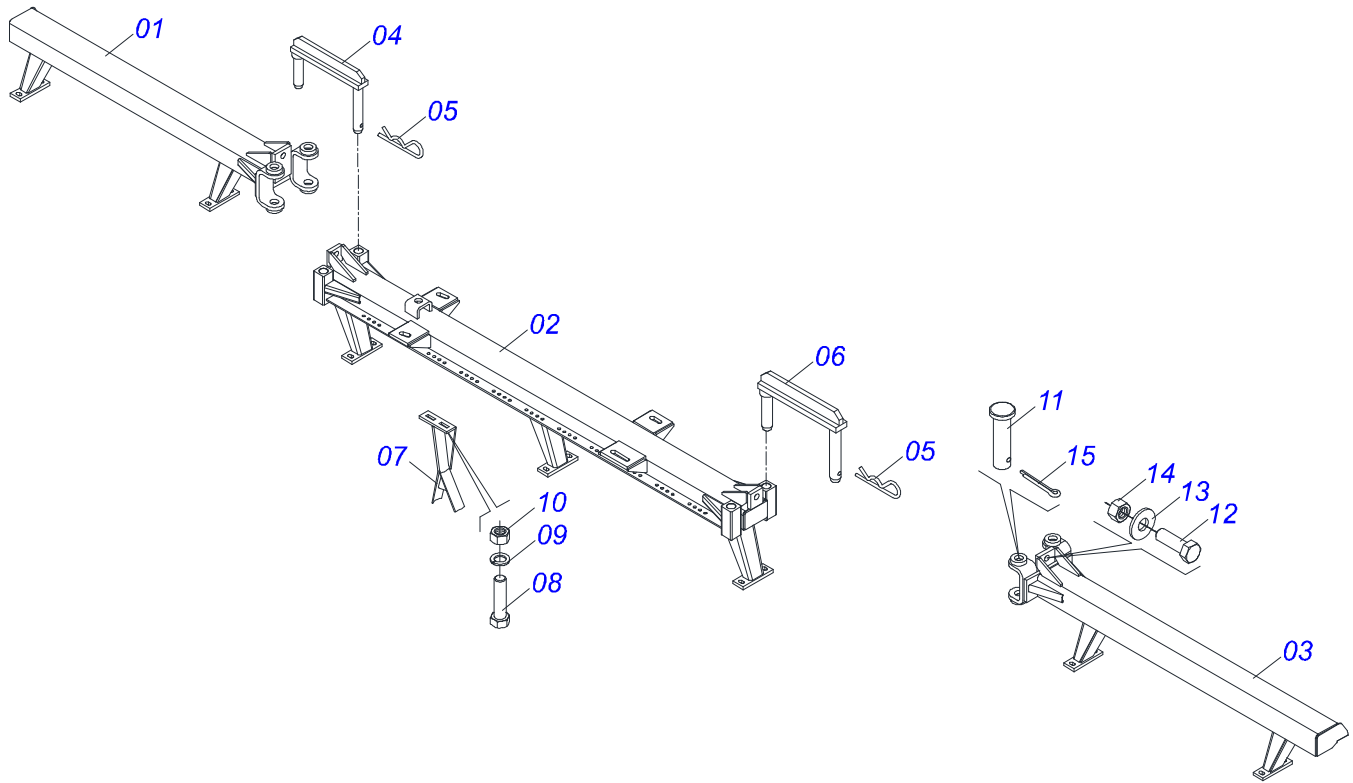
0909097040	ASSY FRAME	.....	1
0909097042	COMPLETE FRONT FRAME	.....	2
0909097041	COMPLETE REAR FRAME	.....	3
0909097043	COMPLETE WHEELS	.....	4
0501055850	CARRYNG WHEEL HUB ASSEMBLY ASSY	.....	5
0503061868	400/60 WHEEL WITH TIRE	.....	6
0511058408	HYDRAULIC CYLINDER	.....	7
0909097044	DRAWBAR ASSY	.....	8
0511049366	AXLE ASSY	.....	9
0501053834	MALE QUICK COUPLER	.....	10
0909097051	ASSY DISC GANG	.....	11
0531042480	196 X 1.1/2 DMO AGRICULTURAL BEARING WITH PROTECTION SUPPORT	.....	12
0531055221	196 X 1.1/2 IMP DMO AGRICULTURAL BEARING	.....	13



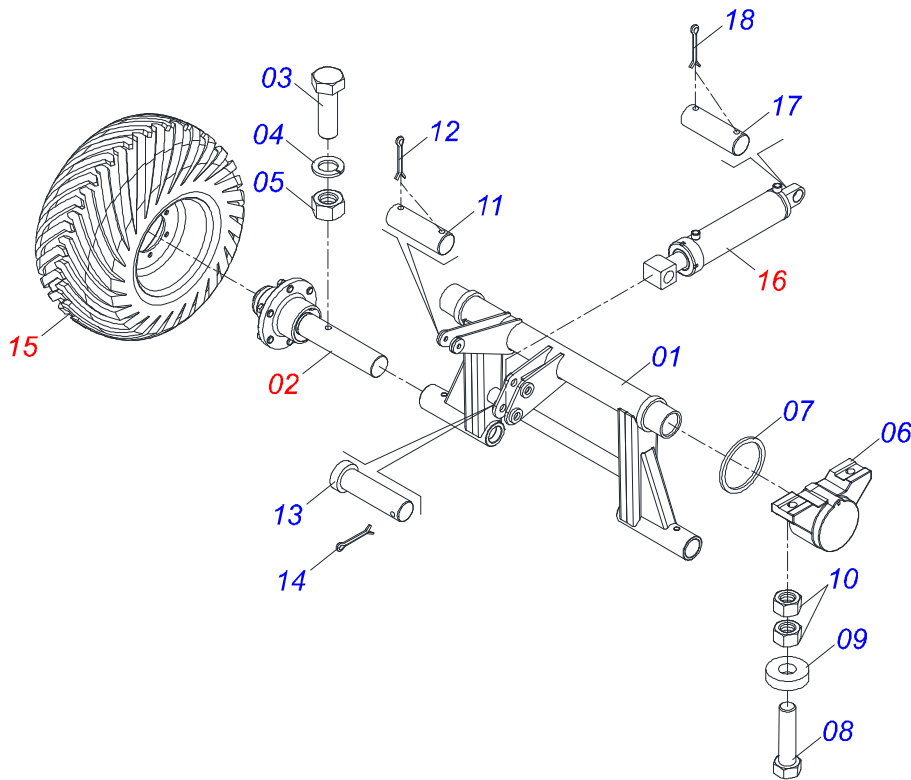
Item	Code	Description	See page	QT
01	0511066555	FRAME GDFR 603001M 3891398		01
02		COMPLETE FRONT FRAME	2	
03		COMPLETE REAR FRAME	3	
04	0521013789	20146 KEY ADJUSTMENT SNC		01
05		COMPLETE WHEELS	4	
06		DRAWBAR ASSY	8	
07	0511058408	HYDRAULIC CYLINDER	7	01
08	0501053218	HOSE ASSY		01
08A	0501080803	TM-TM HOSE ASSY		02
09	0501053834	MALE QUICK COUPLER	10	02
10	0502012702	BODY SUPPORT CLAMP		04
11	0503010180	7/16" SPRING WASHER		04
12	0503012555	SCREW 7/16 UNC X 2 CS RT G.7 ZN		04
13	0511060205	SUPPORT HOSE CNS 20104N		01
14	0503012215	5/16" X 2.1/2" SPLIT PIN		01
15	0511060973	STABILIZER BAR		01
16	0503010002	1800 GREASE FITTING		01
17	0511060257	EXTENSION		01
18	0503034004	ALUMINUM IDENTIFICATION DECAL		01
19	0503010001	RIVET 3,2 X 5,5		04
20	0503031428	READ MANUAL DECAL		01
20.	0503033038	DANGER DECAL		02
20..	0503031738	WARNING DECAL		01
20...	0503033647	APPROVED DECAL		01
21	0503033833	GDFR ADHESIVE		02
21.	0503031739	DANGER DECAL		01
21..	0503033244	CIVEMASA LOGO DECAL		02
22	0503013171	SEALING 1/2" X 10M 1J51066		01
23	0501011432	1-1/2" AND 1-5/8 GANG BOLT WRENCH		02
24		ASSY DISC GANG	11	



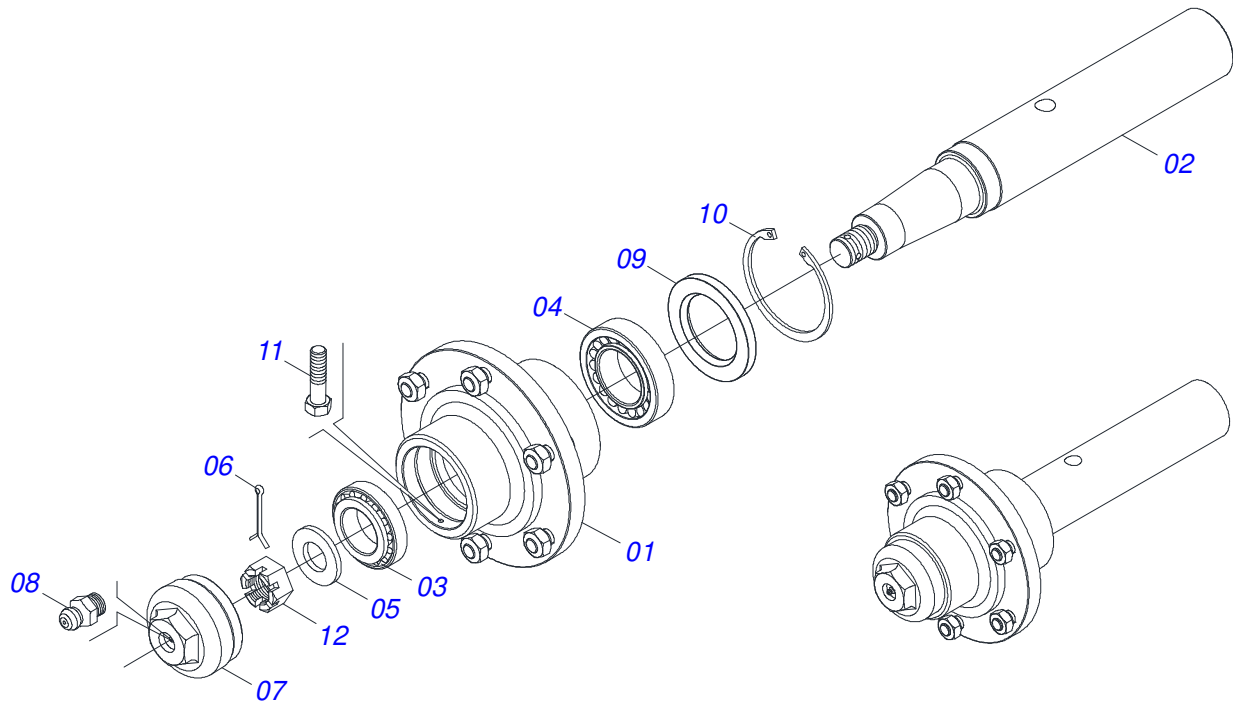
Item	Code	Description	See page	QT
01	0511061018	RIGHT FRONT FRAME		01
02	0511060970	CENTRAL FRAME FRONT		01
03	0511061017	LEFT FRONT FRAME		01
04	0521066885	RIGHT FRONT LOCK PIN 420		01
05	0503031479	STAPLE		02
06	0511060977	LEFT FRONT LOCK PIN		01
07	0511060204	CLEANER		22
08	0503019588	BOLT		44
09	0503010019	1/2" SPRING WASHER		44
10	0503012682	1/2" BSW NUT		44
11	0511060935	PIN WITH HEAD		02
12	0501010276	BOLT		02
13	0501010065	1" SPRING WASHER		02
14	0503012182	1" NUT		02
15	0503010010	SPLIT PIN 1/4" X 2.1/2"		02



Item	Code	Description	See page	QT
01	0511061016	RIGHT REAR FRAME		01
02	0511060969	CENTRAL FRAME REAR		01
03	0511060997	LEFT REAR FRAME		01
04	0521066884	REAR RIGHT LOCK PIN 335		01
05	0503031479	STAPLE		02
06	0521066883	LEFT REAR LOCK PIN 155		01
07	0511060204	CLEANER		22
08	0503019588	BOLT		44
09	0503010019	1/2" SPRING WASHER		44
10	0503012682	1/2" BSW NUT		44
11	0511060935	PIN WITH HEAD		02
12	0501010276	BOLT		02
13	0501010065	1" SPRING WASHER		02
14	0503012182	1" NUT		02
15	0503010010	SPLIT PIN 1/4" X 2.1/2"		02

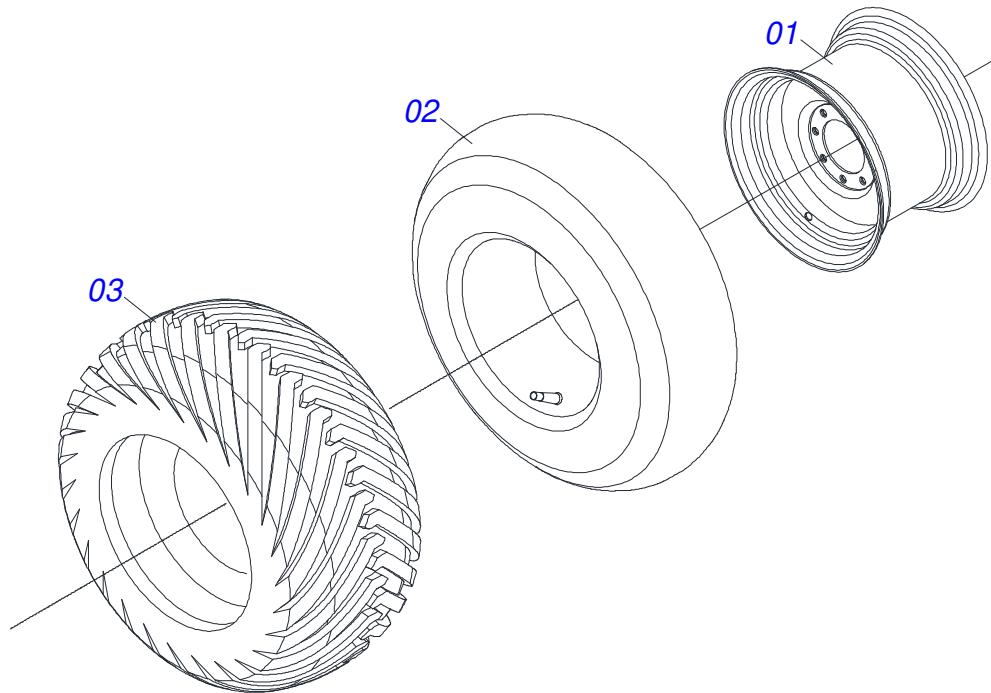


Item	Code	Description	See page	QT
01	0521066882	WHEEL		01
02	0501055850	CARRYNG WHEEL HUB ASSEMBLY ASSY	5	02
03	0503011084	3/4" X 5" BOLT		02
04	0503010023	3/4" SPRING WASHER		02
05	0503012183	SNC 3/4" ZIN 1K03097 NUT		02
06	0502011583	BEARING AXLE		02
07	0503012223	FELT RING		02
08	0503010901	3/4UNC 3.1/2 BOLT		04
09	0521013710	WASHER SEMIMAN		04
10	0503012183	SNC 3/4" ZIN 1K03097 NUT		08
11	0521013839	WITHOUT HEADS PIN		01
12	0503010038	3/16" X 2" SPLIT PIN		02
13	0521013741	PIN WITH HEAD PN - 030 CIL		01
14	0503010010	SPLIT PIN 1/4" X 2.1/2"		01
15	0503061868	400/60 WHEEL WITH TIRE	6	02
16	0511058408	HYDRAULIC CYLINDER	7	01
17	0521013842	PIN WITHOUT HEAD PN - 097 CIL		01
18	0503010010	SPLIT PIN 1/4" X 2.1/2"		01

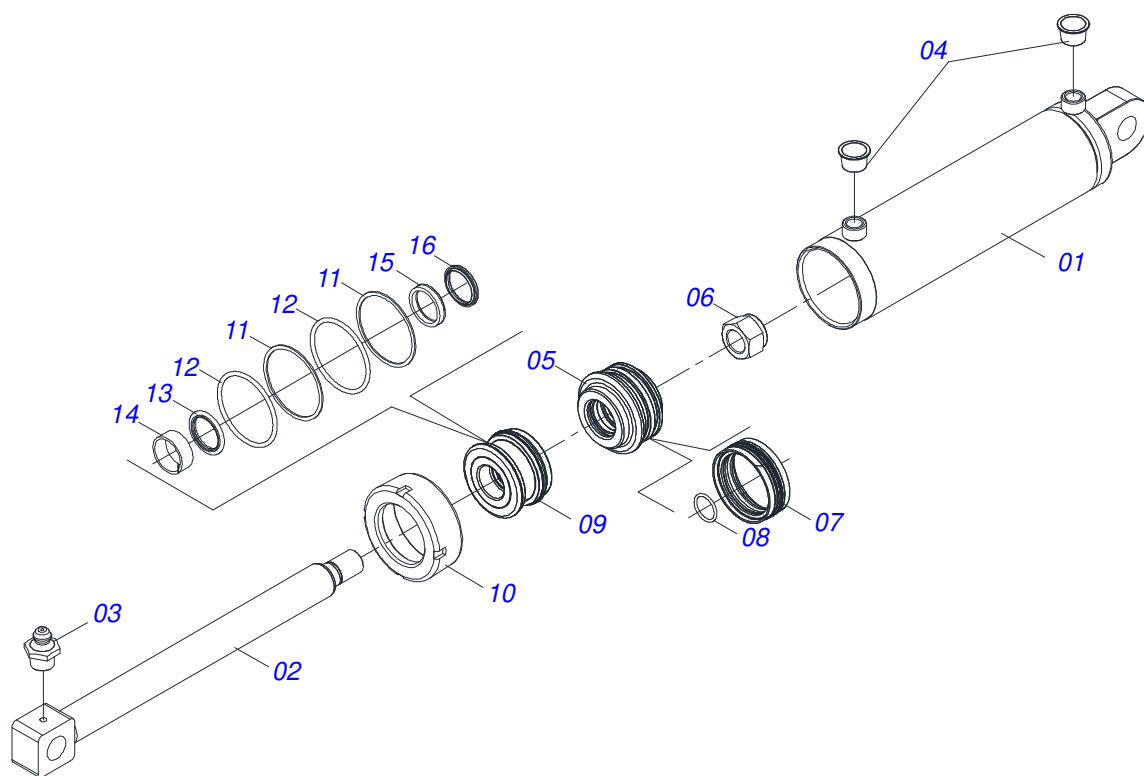


Item	Code	Description	See page	QT
01	0501110766	HUB CARRYING WHEELS WITH BOLT		01
02	0541014720	CR 7076205/1/1 AXLE		01
03	0503010006	32210 ROLLER BEARING		01
04	0503010005	32212 ROLLER BEARING		01
05	0501010086	FLAT WASHER		01
06	0503010067	3/16" X 2.1/2" SPLIT PIN		01
07	0502011647	COVER		01
08	0503010691	1/4" GREASE FITTING		01
09	0503010009	RETAINER 00573-B		01
10	0503012723	502115 RENO RING		01
11	0503010298	1/4" X 1/2" BOLT		01
12	0503012457	UNF 1.1/4" CASTLE NUT		01

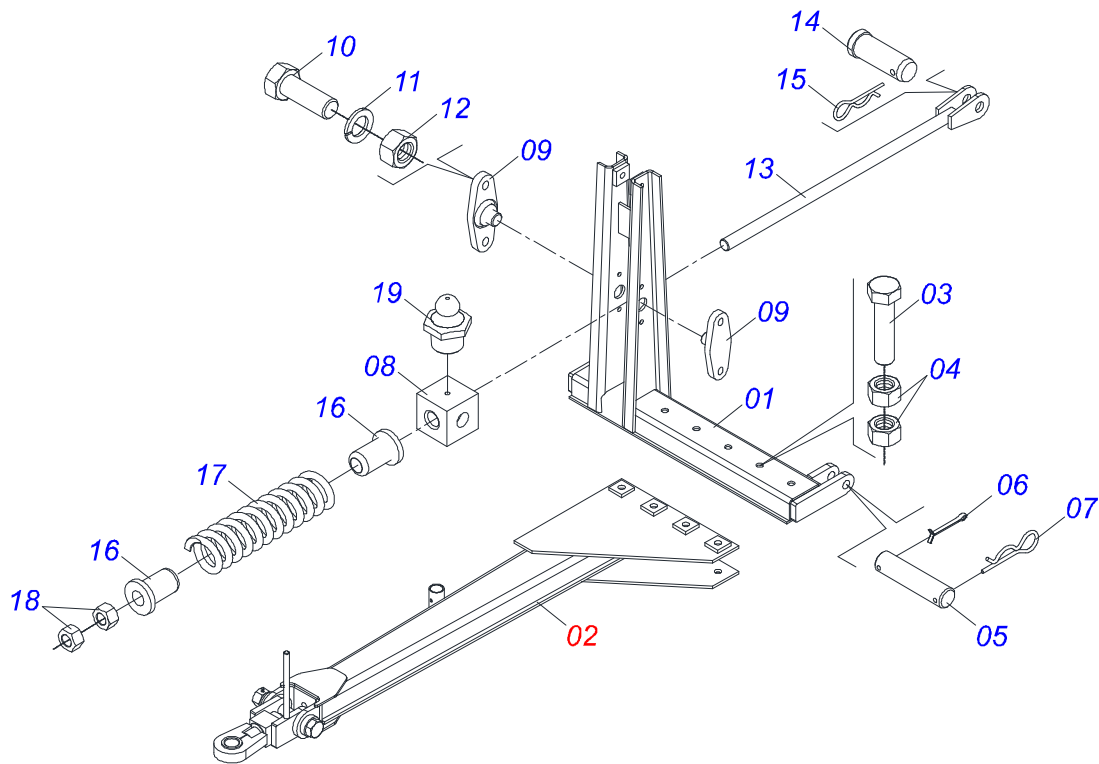




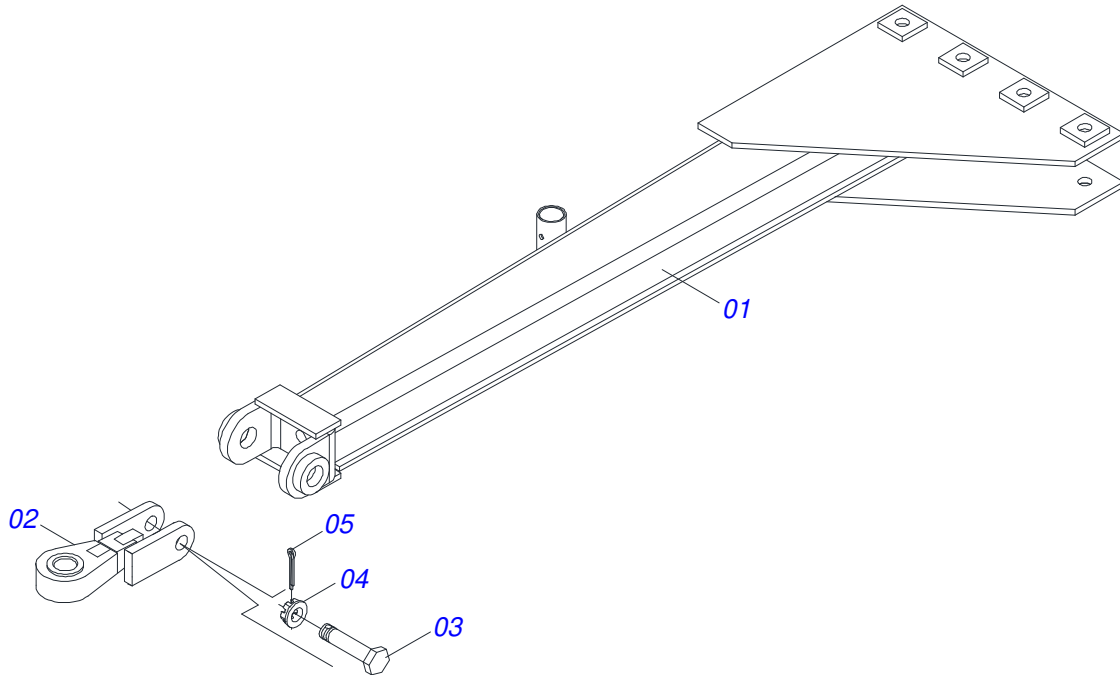
Item	Code	Description	See page	QT
01	0503012916	W-13 X 16,5 HOOP WHEEL		01
02	0503012112	400/60 - 15.5 TR 15 INNER TIRE		01
03	0503013119	CANVAS TIRE 400/60-15,5-T404-14L TRELEBORG		01



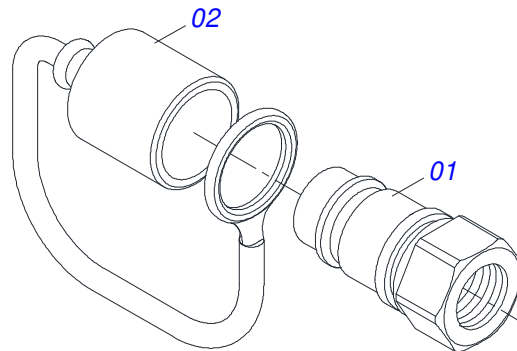
Item	Code	Description	See page	QT
001	0511062246	CYLINDER CASE		01
002	0511062247	TURNBUCLELE		01
003	0503010002	1800 GREASE FITTING		01
004	0503030384	CON PLUG N-001		02
005	0581010837	PISTON		01
006	0503010817	SELF LOCKING NUT 1.1/4 UNF ALTA G.5 ZN		01
007	0503015633	SELEMASTER SEALING		01
008	0503018029	O'RING 2-217 N 3006 90B		01
009	0581010302	RING OF SUPPORT		01
010	0502012822	END CAP 4"		01
011	0503011061	8-342 BACK-UP RING		02
012	0503010338	2-342 N 3006-9B O'RING		02
013	0503017936	RING		01
014	0503017938	RING GUIDE		01
015	0503017937	GASKET		01
016	0503010761	D-1750 SCRAPER RING		01



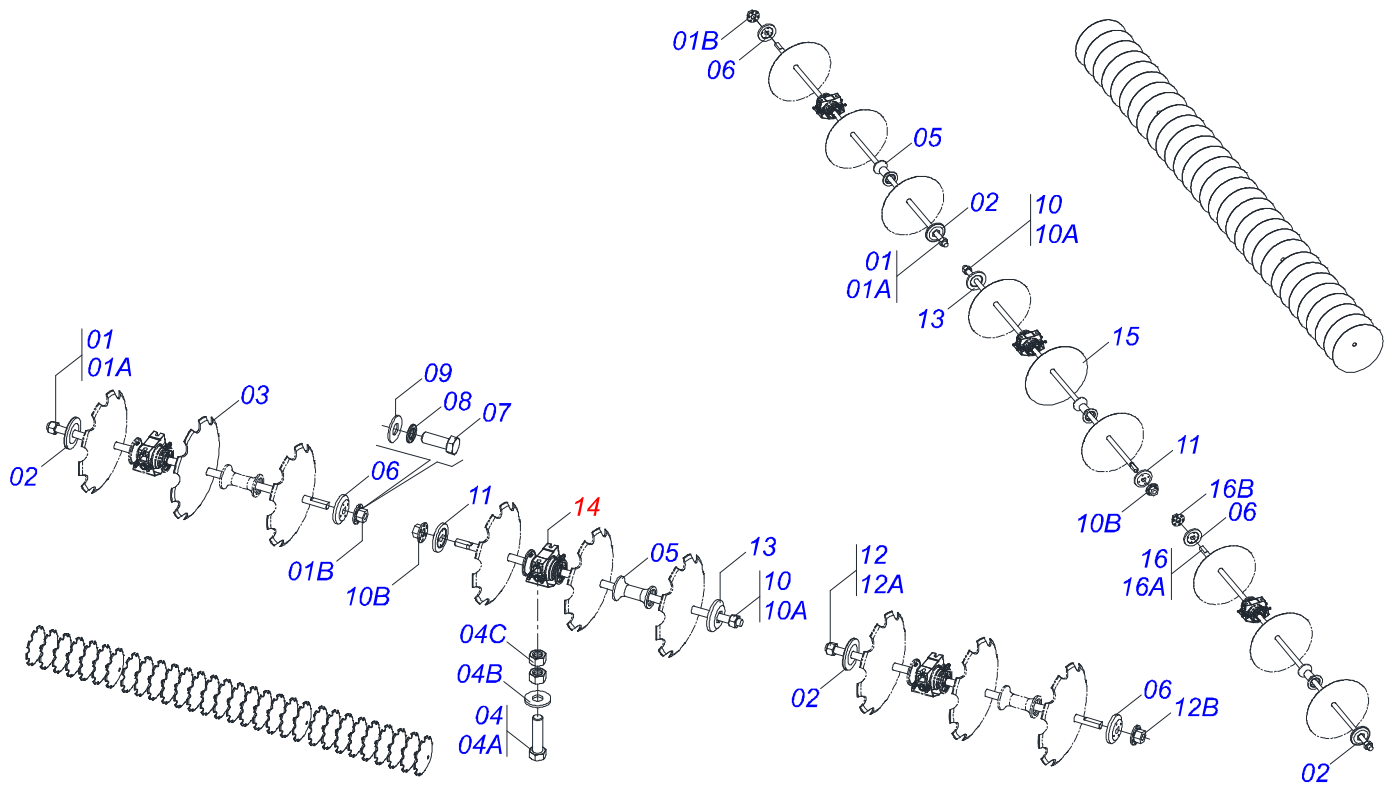
Item	Code	Description	See page	QT
01	0511060972	DRAWBAR ASSY		01
02	0511050304	DRAWBAR ASSY		01
03	0503011198	BOLT 3/4" UNC X 6" CS G.5		04
04	0503012183	SNC 3/4" ZIN 1K03097 NUT		08
05	0521013841	WITHOUT HEADS PIN PN-078 TRACTION		02
06	0503010038	3/16" X 2" SPLIT PIN		02
07	0503031470	TM 251 X 4,0 STAPLE		02
08	0502011616	CROSSPIECE		01
09	0502011615	SUPPORT CROSS		02
10	0503010920	1/2 UNC X 1.1/2 C S G.5 ZN BOLT		04
11	0503010019	1/2" SPRING WASHER		04
12	0503010060	1/2 UNC G.5 ZN HEX NUT		04
13	0511060258	GVMF 30119N RIGTH JACK		01
14	0521013838	CLEVIS PIN		01
15	0503031470	TM 251 X 4,0 STAPLE		01
16	0502011582	SPINDLE GUIDE		02
17	0503031497	SPINDLE SNC		01
18	0503012182	1" NUT		02
19	0503010002	1800 GREASE FITTING		01



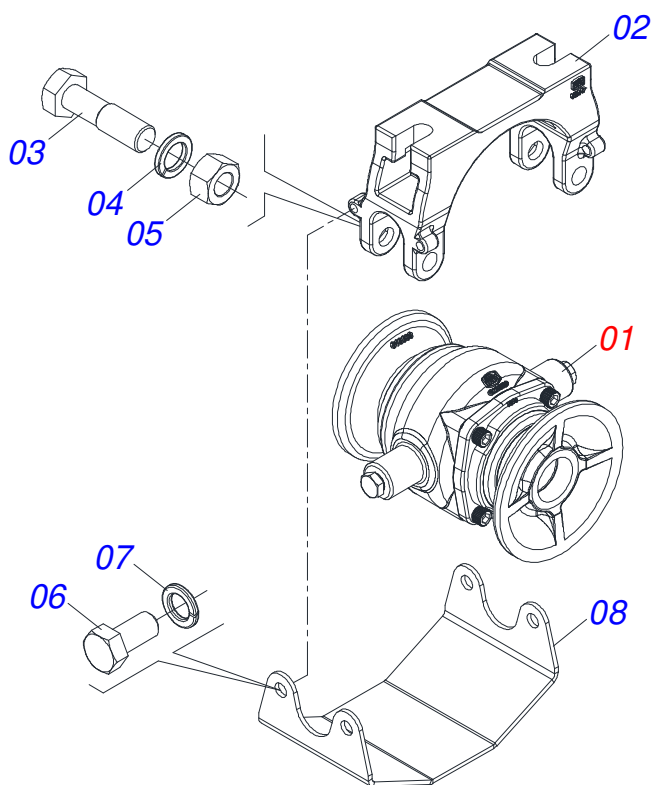
Item	Code	Description	See page	QT
01	0511060256	AXLE ASSY		01
02	0521047594	HITCH FIXED WITH TRACTOR		01
03	0521013837	BOLT		01
04	0503013026	1.1/4" CASTLE NUT		01
05	0503010067	3/16" X 2.1/2" SPLIT PIN		01



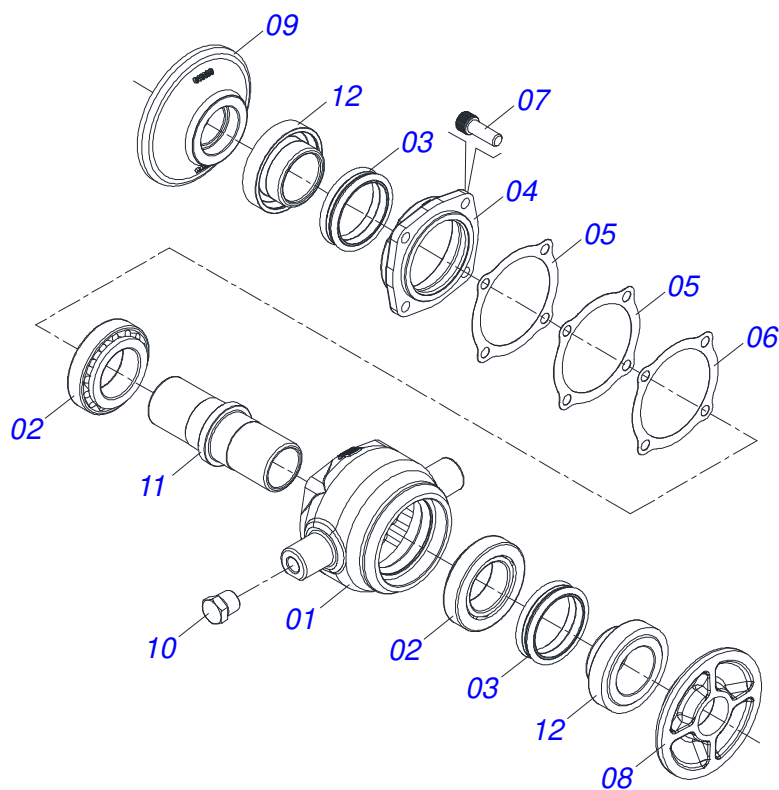
Item	Code	Description	See page	QT
01	0503011627	MALE QUICK COUPLER AGR 1/2 NPT		01
02	0503011882	MALE QUICK COUPLER CAP		01



Item	Code	Description	See page	QT
01	0511050278	AXLE DISC WITH NUTS		02
01A	0511060796	AXLE DISC		01
01B	0502011593	7" AXLE NUT		01
02	0502011608	INNER FLANGE		04
03	0602029409	22" X 4,5 NOTCHED DISC BLADE		30
04	0521048902	SCREW ASSEMBLY 5/8 UNC 3		30
04A	0501011541	BOLT 5/8" UNC X 3 CS G.5 ZN1K28066		01
04B	0501012140	FLAT WASHER 16,50 X 40 X 4,00 ZN		01
04C	0503010013	5/8" UNC G.5 ZN HEX NUT		02
05	0502011594	SPACER		39
06	0502011607	OUTER FLANGE		04
07	0503010237	3/8" X 1" BOLT		12
08	0503010025	3/8 SPRING WASHER		12
09	0501013518	FLAT WASHER		12
10	0511050305	AXLE DISC WITH NUTS		02
10A	0511060807	AXLE DISC		01
10B	0502011593	7" AXLE NUT		01
11	0502011606	INNER FLANGE		02
12	0511050277	AXLE DISC WITH NUTS		01
12A	0511060795	AXLE DISC		01
12B	0502011593	7" AXLE NUT		01
13	0502011609	OUTER FLANGE		02
14	0531042480	196 X 1.1/2 DMO AGRICULTURAL BEARING WITH PROTECTION SUPPORT	12	15
15	0601029406	22" X 4,5 PLAIN DISC BLADE		30
16	0511050279	AXLE DISC WITH NUTS		01
16A	0511060778	AXLE DISC		01
16B	0502011593	7" AXLE NUT		01



Item	Code	Description	See page	QT
01	0531055221	196 X 1.1/2 IMP DMO AGRICULTURAL BEARING	13	01
02	0502013047	BEARING SUPPORT		01
03	0501011541	BOLT 5/8" UNC X 3 CS G.5 ZN1K28066		02
04	0503010027	5/8 SPRING WASHER		02
05	0503010013	5/8" UNC G.5 ZN HEX NUT		02
06	0503011334	BOLT 3/8" UNC X 3/4" CS G.5 ZN		04
07	0503010025	3/8 SPRING WASHER		04
08	0581014143	SWIVEL OIL BATH BEARING WEAR PLATE		01



Item	Code	Description	See page	QT
01	0502012839	BEARING HOUSING 182/192,5		01
02	0503010006	32210 ROLLER BEARING		02
03	0503030026	SEAL LP JB-253		02
04	0502020424	HOUSING CAP 182/192,225		01
05	0503030013	4.4" X 3.5" X 0.004" JOINT		02
06	0503030684	4.4" X 3.5" X 0.004" JOINT		01
07	0503010134	3/8" X 1" BOLT		04
08	0501216951	INNER FLANGE		01
09	0501216952	OUTER FLANGE		01
10	0503010856	OIL PLUG R 3/8 BSPT		02
11	0502040061	182/192,5 AXLE		01
12	0502010541	RETAINER DOOR WITH BUSHING		02
13	3402301275	TATU OIL		0,13 Lts







# ***civemasa***

**Technical Publications | Elaboration and Revision**

ALESSANDRA PATRICIA KAWAHARA CARRILI

[www.civemasa.com.br](http://www.civemasa.com.br)

