

**DISK HARROWS**

**GASPCRC 24/26D - AXLE 2.1/2"**  
**GASPCRC 24/26D - EIXO 2.1/2"**

**Code:** 0501093735  
**Series:** S-0923  
**Revision:** 00  
**Revision Date:** DECEMBER/2023

**PARTS**  
**CATALOGUE**

***CIVEMASA***

An orange rectangular bar is positioned at the top left of the page, above the "PRODUCTS" heading.

# PRODUCTS

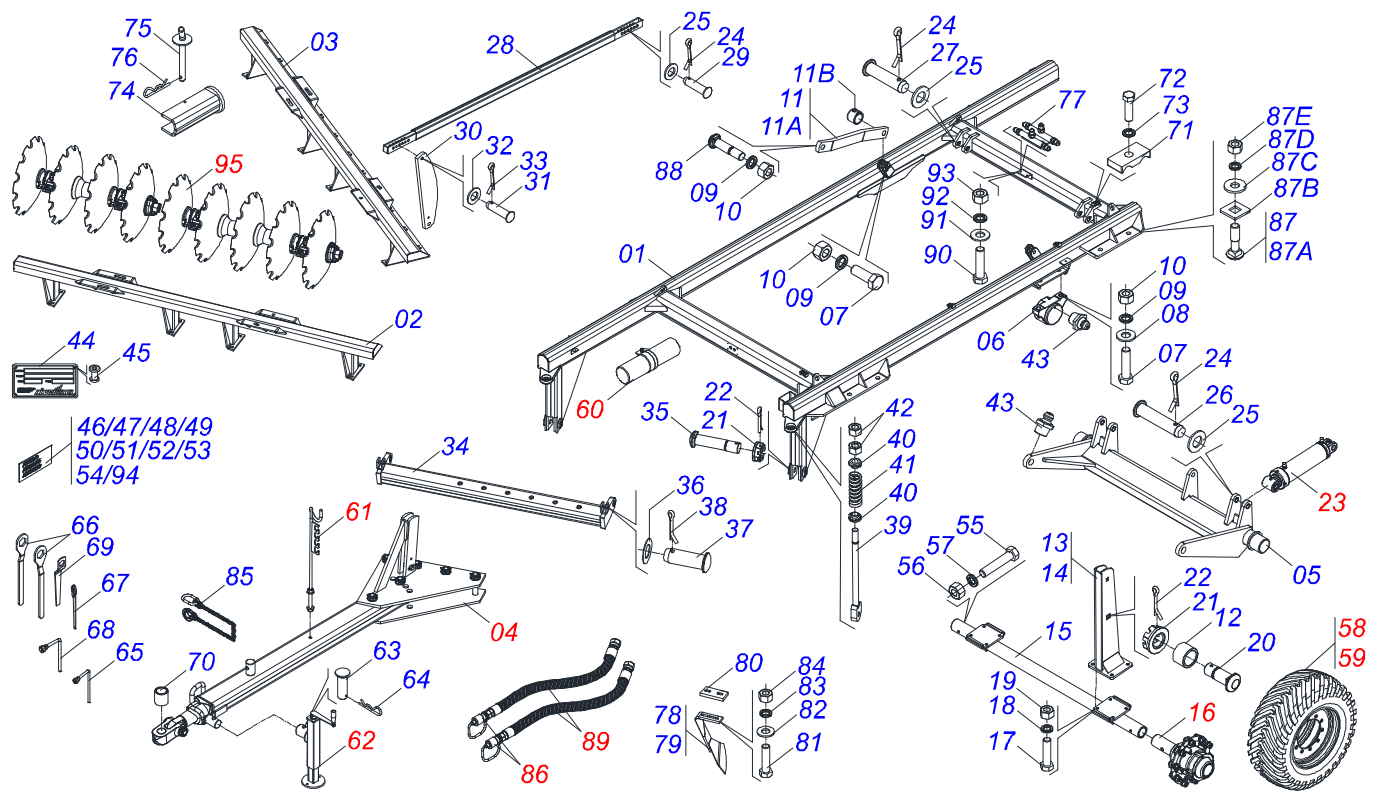
Code	Working Width	Description
0121510381		GASPCRC 24 X 36 X 12 DR DMO E 2.1/2 S-0923
0121510382		GASPCRC 26 X 36 X 12 DR DMO E 2.1/2 S-0923

## ATTENTION: IMPORTANT

CIVEMASA reserves the right to improve and/or modify the technical features of its products, without obligation to do the same with those products already sold and without prior knowledge of the dealer or the customer. The photos are only illustrative.

# INDEX

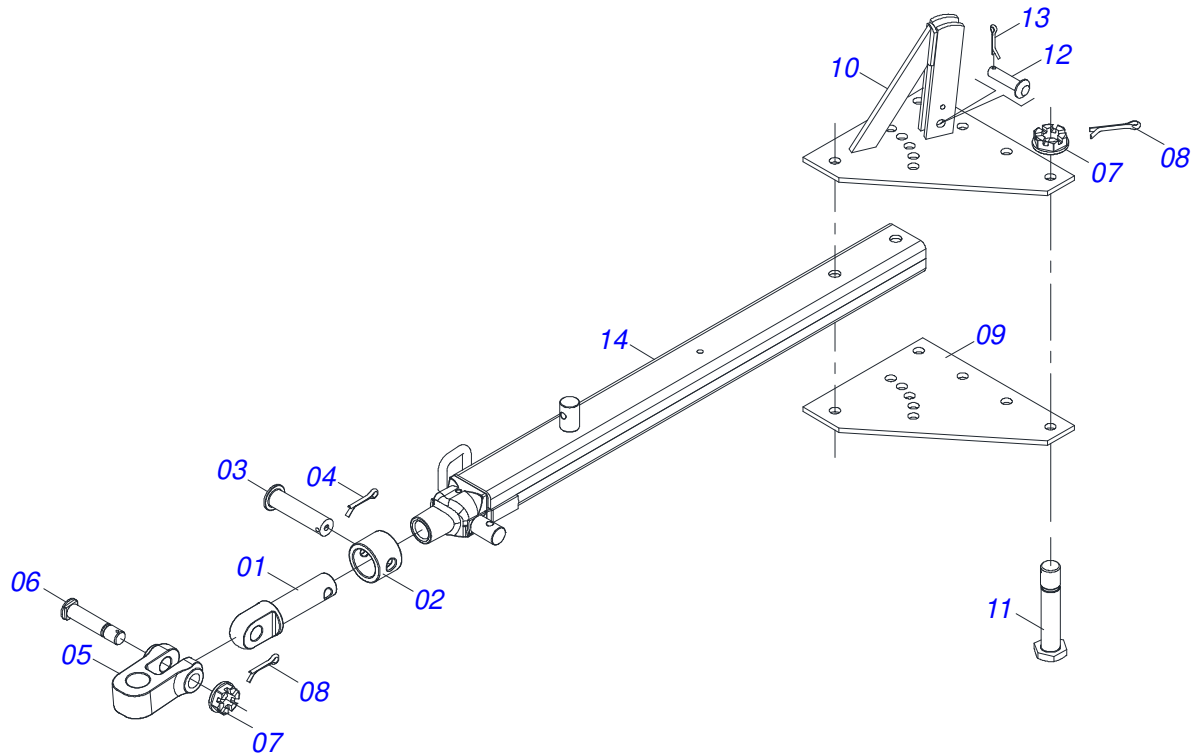
0909096988	ASSY FRAME	.....	1
0511041570	DRAWBAR ASSY 3"	.....	2
0501057120	WHEEL WITHOUT TIRE	.....	3
0511059181	HYDRAULIC CYLINDER 50,80 X 101,60 X 515 X 248	.....	4
0503063282	LEFT WHEEL	.....	5
0503063281	RIGHT WHEEL	.....	6
0521052434	ASSY PORT MANUAL INSTRUCCION	.....	7
0501040257	ASSY 3/4 X 38 HOSE SUPPORT	.....	8
0511048088	DRAWBAR JACK	.....	9
0541051331	HOSE SET - 24/26D	.....	10
0501053834	MALE QUICK COUPLER	.....	11
0909096989	FULL DISC SECTION	.....	12
0531041587	430 X 2.1/2 BEARING WITH PROTECTION SUPPORT	.....	13
0531052867	430 X 2.1/2 BEARING	.....	14



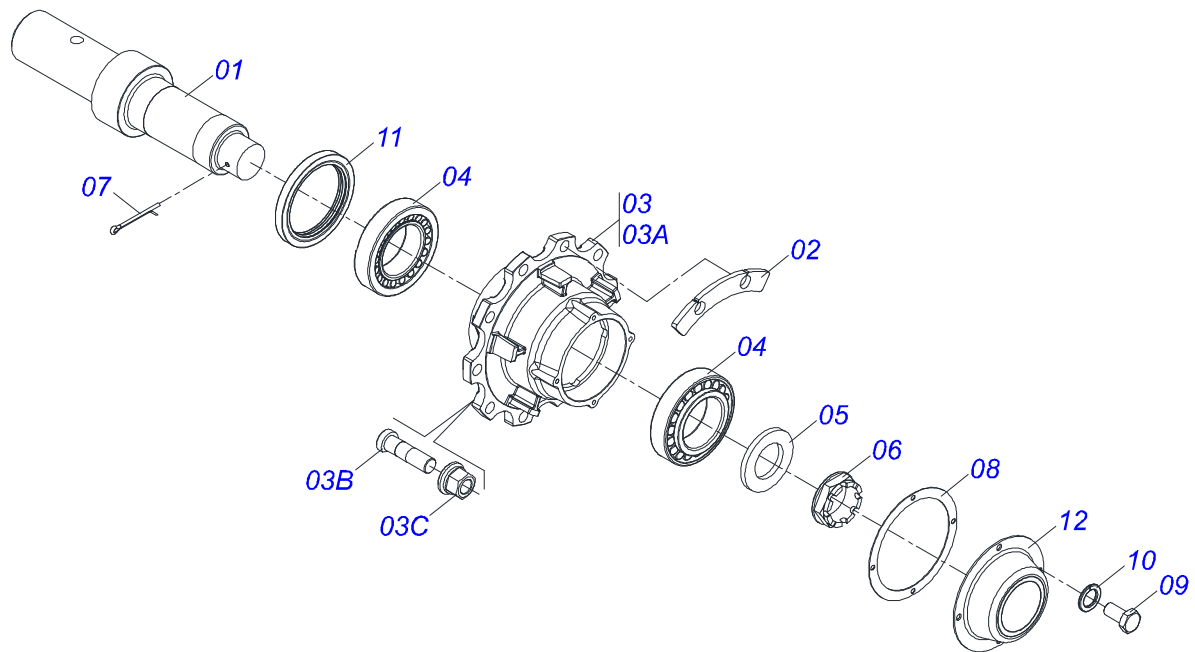
Item	Code	Description	See page	24	26
01	0531067562	FRAME - 24/26D		01	01
02	0531067557	FRONT FRAME - 24D		01	00
02.	0531067549	FRONT FRAME - 26D		00	01
03	0531067541	REAR FRAME - 24D		01	00
03.	0531067552	REAR FRAME - 26D		00	01
04	0511041570	DRAWBAR ASSY 3"	2	01	01
05	0531067576	WHEELS - 24/26T		01	01
06	0502010972	ARTICULACION BEARING		02	02
07	0503011432	BOLT		06	06
08	0501010065	1" SPRING WASHER		04	04
09	0503011438	SPRING WASHER		08	08
10	0501010059	1.5/8 NUT		08	08
11	0501111272	SUPPORT BAR WITH BUSHING		02	02
11A	0501317205	SUPPORT ARM		01	01
11B	0511019921	1.3" X 0.1" X 1" SLEEVE		02	02
12	0521010737	50,4/50,6X 38,5 X 35 SLEEVE		02	02
13	0531067543	RIGHT SUSPENSION TOWER		01	01
14	0531067554	LEFT SUSPENSION TOWER		01	01
15	0531067542	AXLE 4.1/2 X 2405		01	01
16	0501057120	WHEEL WITHOUT TIRE	3	02	02
17	0501010125	3/4" X 2-1/2" BOLT		08	08
18	0503011442	3/4" SPRING WASHER		08	08
19	0503010014	3/4" ZN G.5 (HEAVY) UNC HEX NUT		08	08
20	0511018006	1-1/2 X 4.13" U BOLT OF SUSP TOWER		02	02
21	0501011301	1.1/2" UNC 6FPP 2.5/16" NUT		04	04
22	0503010010	SPLIT PIN 1/4" X 2.1/2"		04	04
23	0511059181	HYDRAULIC CYLINDER 50,80 X 101,60 X 515 X 248	4	02	02
24	0503010523	1/4" X 2" SPLIT PIN		05	05
25	0501017779	FLAT WASHER 32 X 60 X 4,75		05	05
26	0521010547	1.2" X 6.5" COUPLING SHAFT		02	02

Item	Code	Description	See page	24	26
27	0511010174	1.2" X 5.9" COUPLING SHAFT		02	02
28	0531067559	STABILIZER BAR		01	01
29	0521010779	31.75 X 95 COUPLING SHAFT		01	01
30	0511016121	STABILIZER BAR TOWER		01	01
31	0521010576	0.9" X 3.7" COUPLING SHAFT		01	01
32	0501011445	FLAT WASHER		01	01
33	0503010571	1/4" X 1.1/2" SPLIT PIN		01	01
34	0531067546	HITCH BAR		01	01
35	0521012052	1.5" X 6.7" PIVOT SHAFT		02	02
36	0561011883	FLAT WASHER		02	02
37	0521010592	1.1" X 3.1" COUPLING SHAFT		02	02
38	0503010571	1/4" X 1.1/2" SPLIT PIN		02	02
39	0501066362	SPRING ROD		02	02
40	1902020394	SPRING SUPPORT		04	04
41	0503031341	2.7 X 8 X 0.5 COMPRESSION SPRING		02	02
42	0501010087	1.1/4" NUT		04	04
43	0503010002	1800 GREASE FITTING		04	04
44	0503034004	ALUMINUM IDENTIFICATION DECAL		01	01
45	0503010001	RIVET 3,2 X 5,5		04	04
46	0503031428	READ MANUAL DECAL		01	01
47	0503033246	ADHESIVE LABEL		02	02
48	0503031827	LUBRICATE AND RETIGHTEN DAILY DECAL		01	01
49	0503034197	EMBLEM GASPCRC		01	01
50	0503034499	HOSE IDENTIFICATION DECAL		01	01
51	0503034078	LIFTING POINTS DECAL		04	04
52	0503033038	DANGER DECAL		01	01
53	0503031738	WARNING DECAL		02	02
54	0503031739	DANGER DECAL		01	01
55	0503011198	BOLT 3/4" UNC X 6" CS G.5		02	02
56	0503010014	3/4" ZN G.5 (HEAVY) UNC HEX NUT		02	02
57	0503010023	3/4" SPRING WASHER		02	02
58	0503063282	LEFT WHEEL	5	01	01
59	0503063281	RIGHT WHEEL	6	01	01
60	0521052434	ASSY PORT MANUAL INSTRUCCION	7	01	01
61	0501040257	ASSY 3/4 X 38 HOSE SUPPORT	8	01	01
62	0511048088	DRAWBAR JACK	9	01	01
63	0561014251	COUPLING SHAFT		01	01
64	0503030012	HITCH PIN CLIP		01	01
65	0501061045	1" WRENCH CYLINDRICAL		01	01
66	0501316941	KEY 2.1/8 AND 2.1/2		02	02
67	0521062858	1.1/4" WRENCH NUT		01	01
68	0503016137	1-1/4" WRENCH CABLE CYLINDER		01	01
69	0501011432	1-1/2" AND 1-5/8 GANG BOLT WRENCH		01	01
70	0581010270	GLOVE 48 X 59.30 X 76		01	01
71	1902010477	UPPER CLAMP BODY		03	03
72	0503011135	BOLT 7/16" UNC X 1.1/2" C S G.5 ZN		03	03
73	0503010180	7/16" SPRING WASHER		03	03
74	0501066386	TRANSPORT LOCK 9.54"		02	02
75	0501068994	8,30 X 78 LOCK PIN		02	02
76	0503030168	HITCH PIN CLIP		02	02
77	0501068706	DOUBLE CONNECTION		01	01
78	0501060423	FRONT SCRAPER		12	13
79	0501060424	REAR SCRAPER		12	13
80	0501010299	SCRAPER LOCK		02	02
81	0503010233	5/8" X 2-1/2" BOLT		37	37
82	0501012140	FLAT WASHER 16,50 X 40 X 4,00 ZN		48	48
83	0503010027	5/8 SPRING WASHER		48	48

<b>Item</b>	<b>Code</b>	<b>Description</b>	<b>See page</b>	<b>24</b>	<b>26</b>
84	0503010013	5/8" UNC G.5 ZN HEX NUT		48	48
85	0503013150	1300 X 3/8" CHAIN		01	01
86	0501053834	MALE QUICK COUPLER	11	02	02
87	0501041102	1-1/4" X 3-3/4" ASSY BOLT		08	08
87A	0501015348	1-1/4" X 3-3/4" BOLT		01	01
87B	0501010953	1-1/4" SQUARE WASHER		01	01
87C	0531010713	FLAT WASHER		01	01
87D	0503010070	SPRING WASHER		01	01
87E	0501010087	1.1/4" NUT		01	01
88	0511017974	1" U BOLT SUSPENSION TOWER		02	02
89	0541051331	HOSE SET - 24/26D	10	01	01
90	0503010237	3/8" X 1" BOLT		02	02
91	0501010984	10,50 X 27 X 3,00 FLAT WASHER		02	02
92	0503010025	3/8 SPRING WASHER		02	02
93	0503010026	3/8" NUT		02	02
94	0503033647	APPROVED DECAL		01	01
95		FULL DISC SECTION	12		

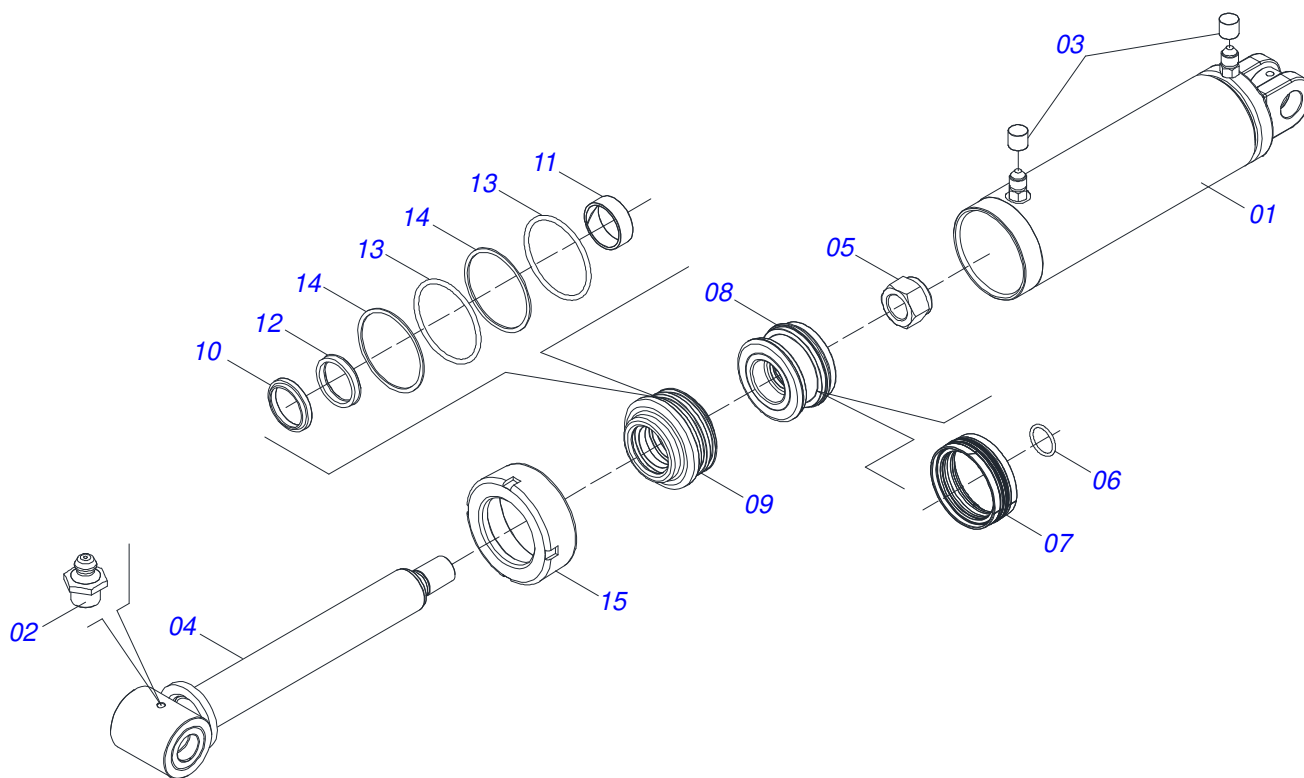


Item	Code	Description	See page	QT
01	0502040223	DRAWBOLT		01
02	0502040327	HITCH LOCK RING		01
03	0511014902	COUPLING SHAFT		01
04	0503010571	1/4" X 1.1/2" SPLIT PIN		01
05	1902040733	U COUPLING HOOK		01
06	0521012545	COUPLING SHAFT		01
07	0501011301	1.1/2" UNC 6FPP 2.5/16" NUT		07
08	0503010010	SPLIT PIN 1/4" X 2.1/2"		07
09	0511016137	UPPER /LOWER PLATE		01
10	0501067250	UPPER PLATE WITH SUPPORT		01
11	0501016419	1-1/2" X 7.5" BOLT		06
12	0521010779	31.75 X 95 COUPLING SHAFT		01
13	0503010523	1/4" X 2" SPLIT PIN		01
14	0501069323	TRACTION BAR		01

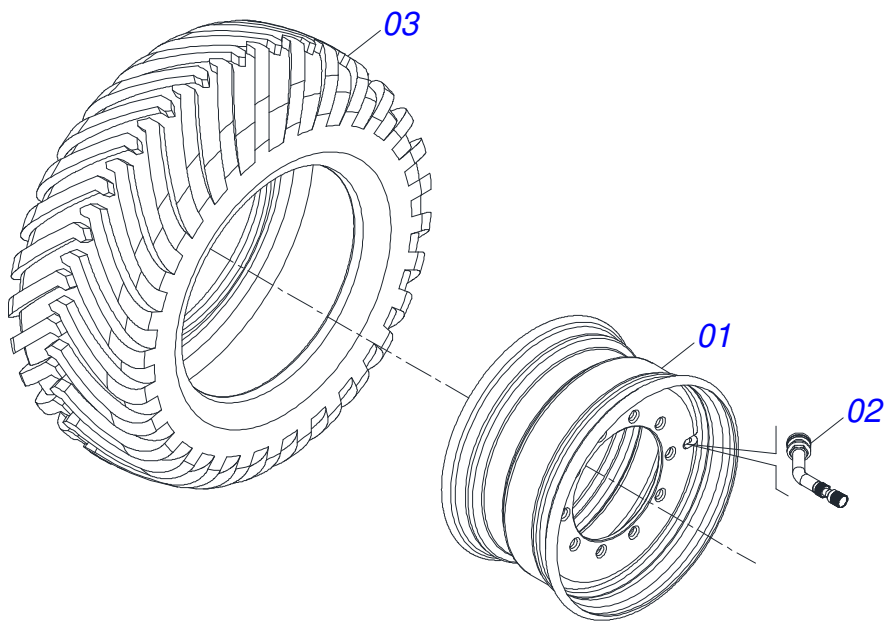


Item	Code	Description	See page	QT
01	0551011426	POINT AXIS R2.1/2UN		01
02	0561015521	FLANGE WHEEL HUB		05
03	0501110761	BOX WHEEL WITH BOLT 25-45FT		01
03A	0502012462	WHEEL HUB		01
03B	0503014050	BOLT M22 X 1,5 X 77/87 188RT		10
03C	0503014048	HEX NUT M22X1,5" CH32X33,5		10
04	0503010118	32218 BEARING		02
05	0531019986	64 X 110 X 9.5 FLAT WASHER		01
06	0502040080	FLANGE NUT R.2.1/2" UN		01
07	0503012213	1/4" X 4" SPLIT PIN		01
08	0503013548	JOINT CORK CR4F		01
09	0503013546	BOLT SX MA5,8 M10X1,5X20ZA DI		04
10	0503013542	M10 SPRING WASHER		04
11	0503013541	REAR RETAINER 0310-BG AR22 1G25356		01
12	0503013549	HUB COVER		01

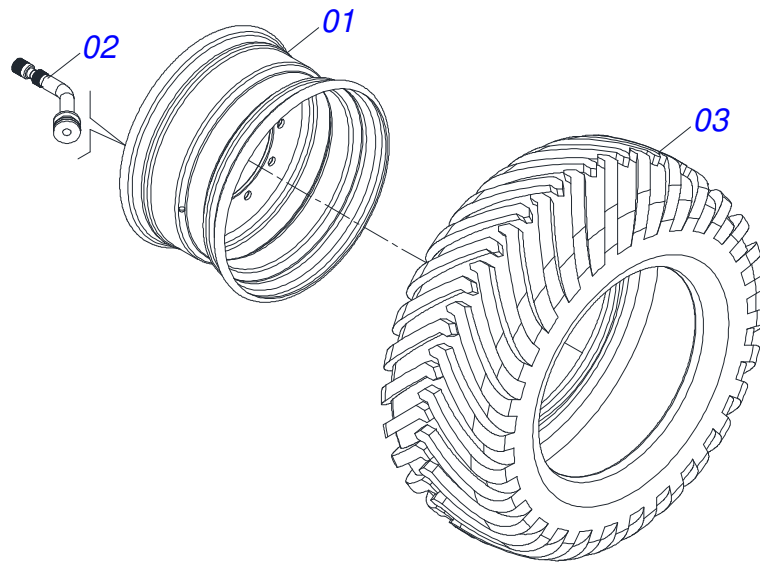




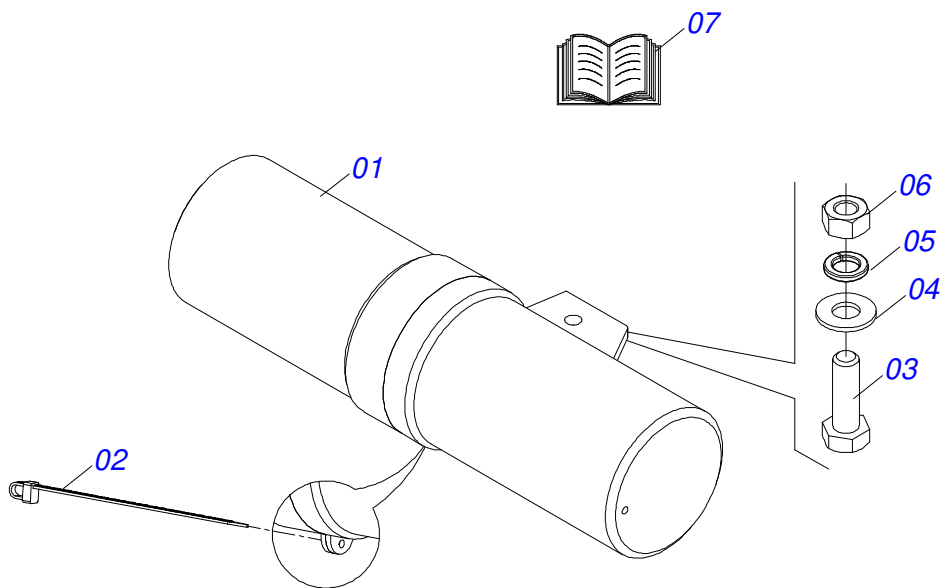
Item	Code	Description	See page	QT
01	0501067256	4" X 16" CYLINDER CASE		01
02	0503010002	1800 GREASE FITTING		02
03	0503030385	CYLINDER PLUG N-002		02
04	0521066345	50,80 X 452 TURNBUCLE		01
05	0503010817	SELF LOCKING NUT 1.1/4 UNF ALTA G.5 ZN		01
06	0503010345	2-218 N 3006-9B O-RING		01
07	0503015633	SELEMASTER SEALING		01
08	0502012842	50,80 X 101,60 PISTON		01
09	0581010678	50,80 X 101 RING SUPPORT		01
10	0503015636	SCRAPER SEAL		01
11	0503018025	RING GUIDE W2-2250-750		01
12	0503018026	GASKET 1870-2000-375 B POLYMAX		01
13	0503010338	2-342 N 3006-9B O-RING		02
14	0503011061	8-342 BACK-UP RING		02
15	0502012822	END CAP 4"		01



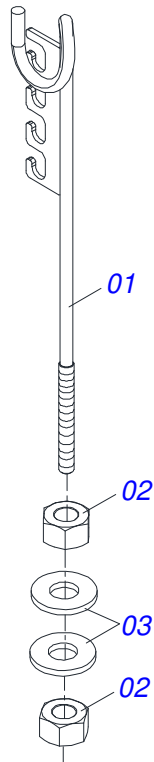
Item	Code	Description	See page	QT
01	0503033536	RING		01
02	0503016098	VALVE		01
03	0503019969	TIRE 400/55-22,5 152A 8/149B		01



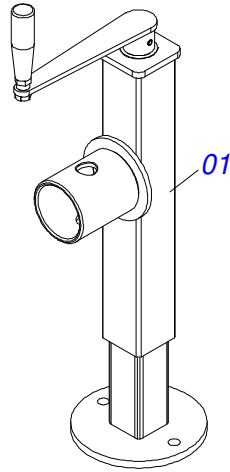
Item	Code	Description	See page	QT
01	0503033536	RING		01
02	0503016098	VALVE		01
03	0503019969	TIRE 400/55-22,5 152A 8/149B		01



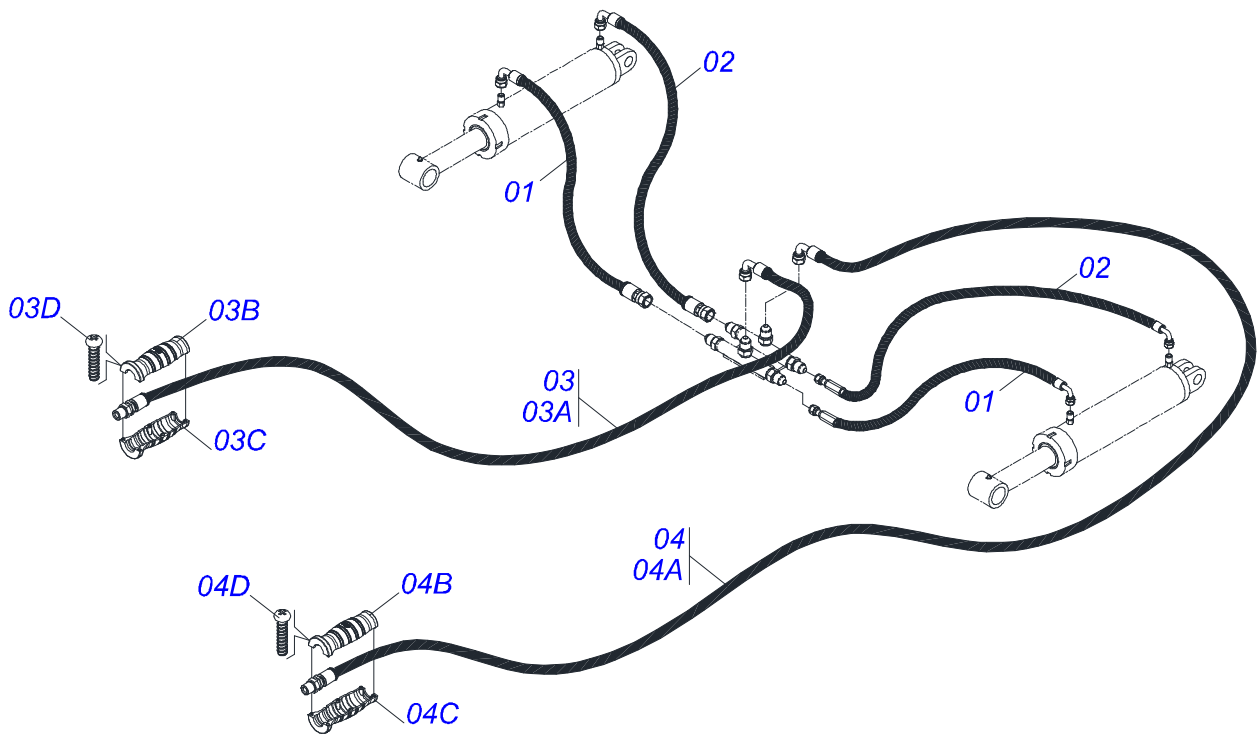
Item	Code	Description	See page	QT
01	0503060100	SUPPORT INSTRUCTION MANUAL		01
02	0503010267	NYLON CLAMP 3,60 X 1,3 X 155 MM		01
03	0503010363	BOLT 5/16 UNC X 1 C S G.2 ZN		01
04	0501010694	FLAT WASHER 32,50 X 75 X 4,75		01
05	0503010179	LOCK WASHER 5/16 ZN 1K01528		01
06	0503010337	NUT 5/16 UNC G.5 ZN		01
07	0511033060	BAG WITH INSTRUCTION MANUAL		01



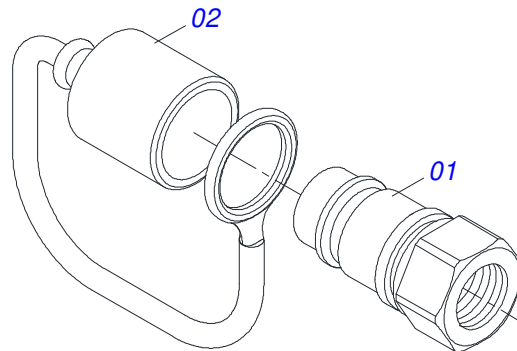
Item	Code	Description	See page	QT
01	0511067334	HOSE SUPPORT		01
02	0503010014	3/4" ZN G.5 (HEAVY) UNC HEX NUT		02
03	0501010322	20,50 X 46 X 4,00 ZN FLAT WASHER		02



Item	Code	Description	See page	QT
01	0503062227	DRAWBAR JACK		01

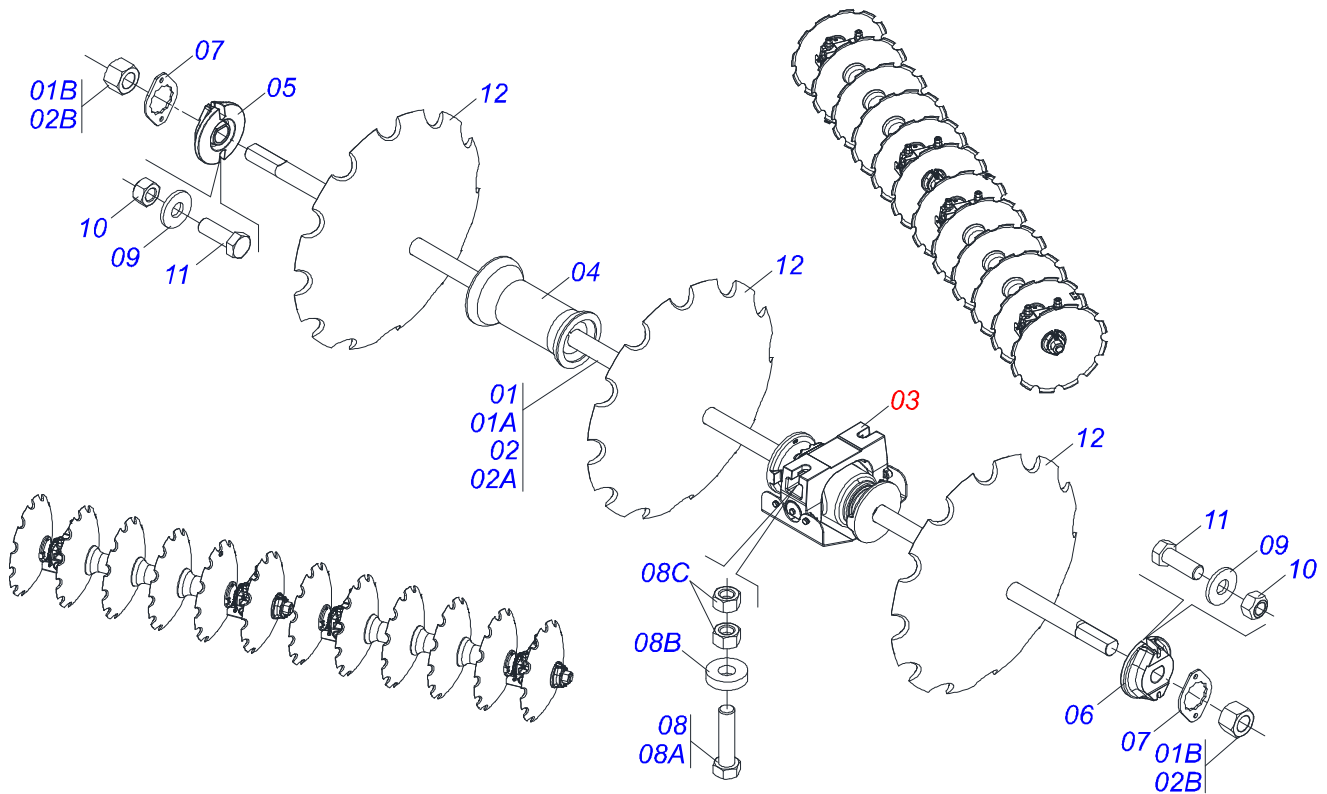


Item	Code	Description	See page	QT
01	0501080413	3/8" X 27" TR-TC HOSE		02
02	0501080375	3/8" X 23,6" TR-TC HOSE		02
03	0541051321	HOSE 3/8 X 9400 TC-TM BLACK/BLUE		01
03A	0501082052	3/8 X 9400 TC-TM HOSE		01
03B	0503034492	HYDRAULIC HOSE GRIP (BLACK)		01
03C	0503034494	HYDRAULIC HOSE GRIP (BLUE)		01
03D	0503018952	PH 2,5 X 10 ZB PLASTIC BOLT		06
04	0541051330	HOSE 3/8 X 9400 TC-TM BLACK/RED		01
04A	0501082052	3/8 X 9400 TC-TM HOSE		01
04B	0503034492	HYDRAULIC HOSE GRIP (BLACK)		01
04C	0503034495	HYDRAULIC HOSE GRIP (RED)		01
04D	0503018952	PH 2,5 X 10 ZB PLASTIC BOLT		06

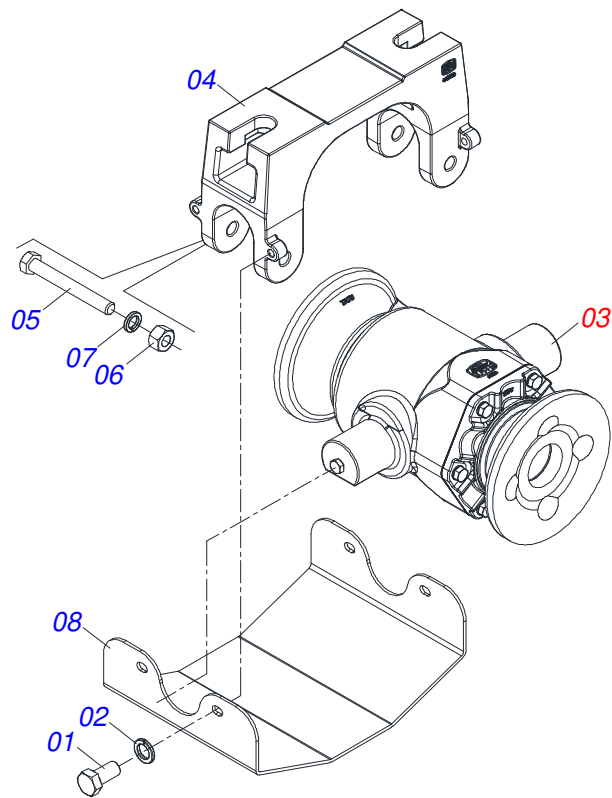


Item	Code	Description	See page	QT
01	0503011627	MALE QUICK COUPLER AGR 1/2 NPT		01
02	0503011882	MALE QUICK COUPLER CAP		01

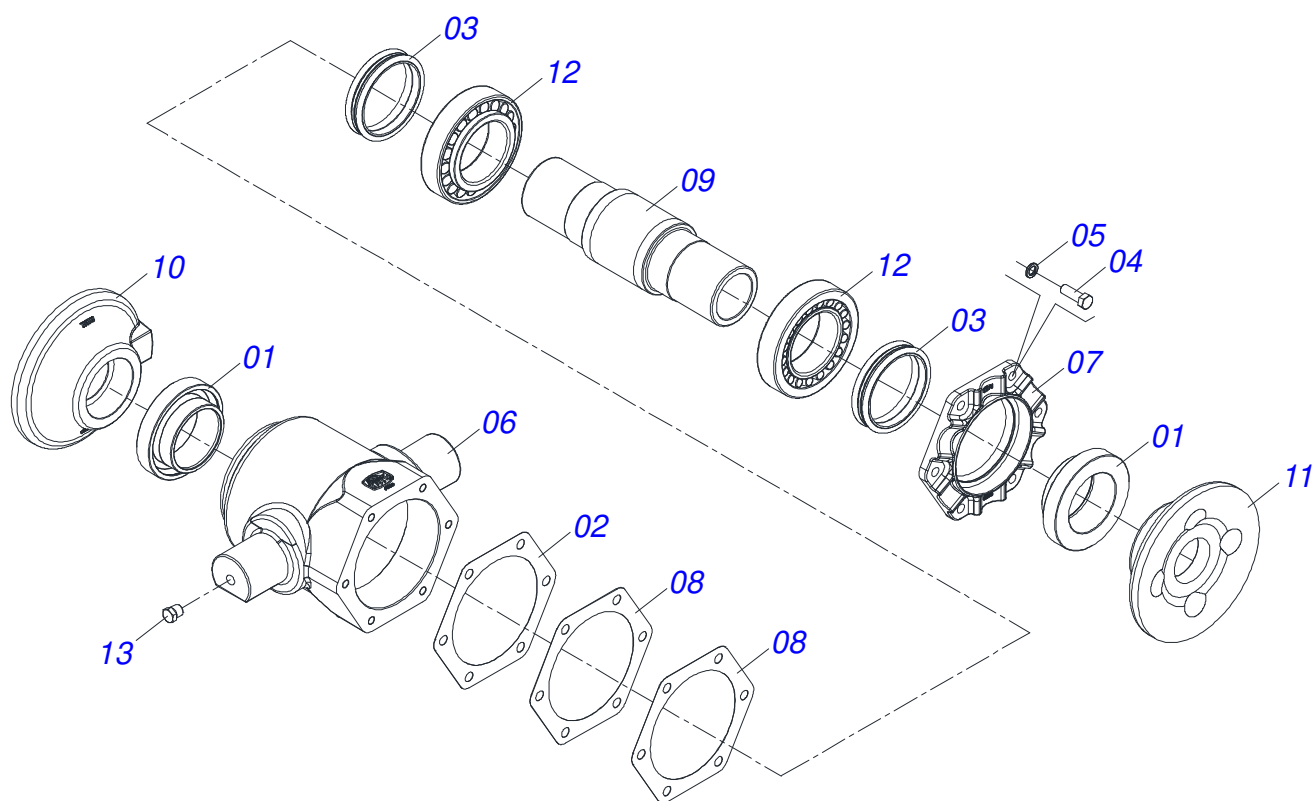




Item	Code	Description	See page	24	26
01	0531045564	AXLE 2.1/2 X 2500 WITH NUTS		04	02
01A	0501010356	2-1/2" X 97" AXLE		01	01
01B	0502040064	2.1/2" SNC X 70 99 NUT		02	02
02	0531045562	AXLE 2.1/2 X 2930 WITH NUTS		00	02
02A	0501010355	2-1/2" X 115" AXLE		00	01
02B	0502040064	2.1/2" SNC X 70 99 NUT		00	02
03	0531041587	430 X 2.1/2 BEARING WITH PROTECTION SUPPORT	13	08	08
04	0502012220	2.1/2" X 17" SPACER		12	14
05	1902010592	INTERNAL LOCK 2.1/2 AXIS		04	04
06	1902010593	EXTERNAL AXLE LOCK 2.1/2		04	04
07	0541010368	NUT LOCK		08	08
08	0531040741	ASSY 1.1/4 UNC X 5 BOLT		16	16
08A	0503011347	1.1/4" X 5" BOLT		01	01
08B	0571010448	32,50 X 75 X 16 SLEEVE		01	01
08C	0501010087	1.1/4" NUT		02	02
09	0501012140	FLAT WASHER 16,50 X 40 X 4,00 ZN		16	16
10	0503012412	5/8" UNC SELF LOCKING NUT		16	16
11	0503010232	5/8" X 1.3/4" BOLT		16	16
12	0602048002	36" X 0.5" NOTCHED DISC BLADE		24	26



Item	Code	Description	See page	QT
01	0503010834	1/2 X 1 BOLT		04
02	0503010019	1/2" SPRING WASHER		04
03	0531052867	430 X 2.1/2 BEARING	14	01
04	0502013003	2.3/4 BEARING SUPPORT		01
05	0503011198	BOLT 3/4" UNC X 6" CS G.5		02
06	0503010014	3/4" ZN G.5 (HEAVY) UNC HEX NUT		02
07	0503010023	3/4" SPRING WASHER		02
08	0501213896	BEARING COVER		01



Item	Code	Description	See page	QT
01	0502040119	SEAL RETAINER		02
02	0503035599	205 X 160,5 X 0,20 SEAL GASKET		01
03	0503030029	RETAINER LP JB-259		02
04	0503010920	1/2 UNC X 1.1/2 C S G.5 ZN BOLT		06
05	0503011440	SPRING WASHER		06
06	0502013002	BEARING HUB		01
07	0502013005	BEARING HUB LID		01
08	0503035600	205 X 160,5 X 0,40 SEAL GASKET		02
09	0502040039	AXLE		01
10	0502040165	INNER FLANGE		01
11	0502040164	OUTER FLANGE		01
12	0503010118	32218 BEARING		02
13	0503010856	OIL PLUG R 3/8 BSPT		02





***civemasa***

**Technical Publications | Elaboration and Revision**

ALESSANDRA PATRICIA KAWAHARA CARRILI

[www.civemasa.com.br](http://www.civemasa.com.br)

