

DISK HARROWS

**GAPCRC-HD 8013 MECHANICAL ARTICULATED -
45D**

GAPCRC-HD 8013 ARTICULADA MECÂNICA - 45D

Code: 0501093731
Series: S-1123
Revision: 00
Revision Date: DECEMBER/2023

**PARTS
CATALOGUE**


CIVEMASA

PRODUCTS

Code	Working Width	Description
0121010205		GAPCRC HD 8013 45X36X9 DR DMO M C/ET FOLDING S-1123

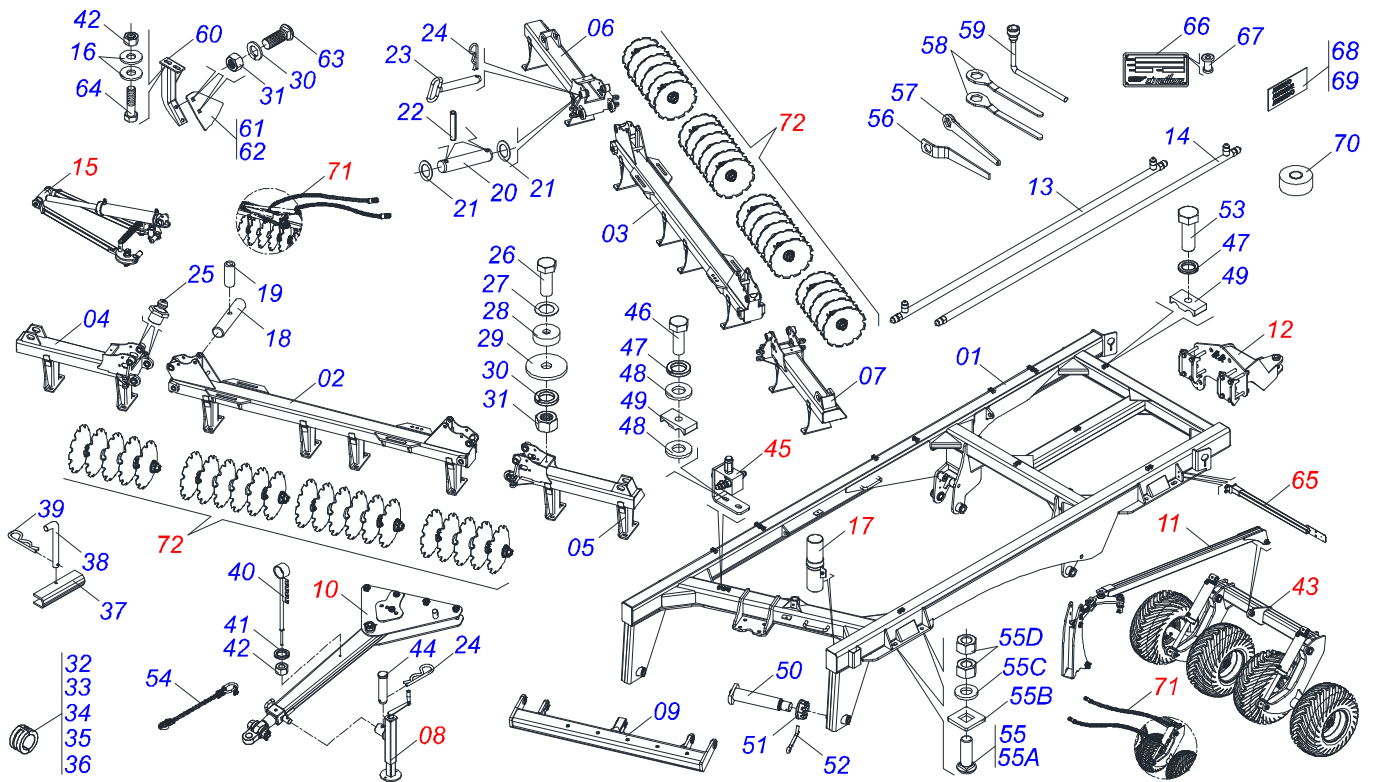
ATTENTION: IMPORTANT

CIVEMASA reserves the right to improve and/or modify the technical features of its products, without obligation to do the same with those products already sold and without prior knowledge of the dealer or the customer. The photos are only illustrative.



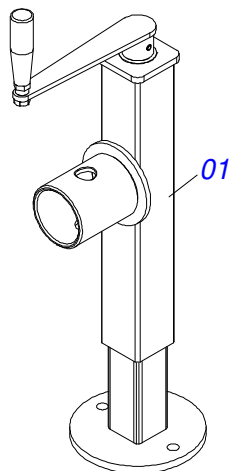
INDEX

0909096999	FRAME ASSY	1
0511048088	DRAWBAR JACK	2
0521041823	ASSY TRACTION BAR (PIN 3)	3
0531040171	ASSY HITCH	4
0909097000	HEADER ARTICULATOR ASSEMBLY	5
0511059199	STABILIZER BAR REGULATOR EXTENSOR	6
0909097001	REAR COUPLING KIT	7
0501053835	FEMALE QUICK COUPLER	8
0909097002	ARTICULATION ASSEMBLY	9
0511050181	COMPLETE FRONT LEFT REAR RIGHT ARTICULATION	10
0511050182	ARTICULACION FRONT RIGHT REAR LEFT COMPLETE	11
0511059197	3" X 4" X 42" X 28" HYDRAULIC CYLINDER	12
0521052001	ASSY PORT MANUAL INSTRUCCION	13
0909097003	WHEEL ASSY	14
0521051832	HYDRAULIC CYLINDER 53,98 X 114,30 X 654 X 346	15
0501056467	STUB SHAFT & HUB ASSY 21FT	16
0503060102	WHEEL AND TIRE 400/60 - 14L RIGHT	17
0503063403	WHEEL WITH TIRE 400/60 - 14L LEFT	18
0909097004	LANTERN FIXATION SET	19
0909097006	COMPLETE HYDRAULIC CIRCUIT	20
0511059196	ASSY VALVE	21
0501053834	MALE QUICK COUPLER	22
0909097005	COMPLETE DISC SECTION	23
0531041672	330 X 2.1/2 BEARING	24
0531053201	BEARING	25

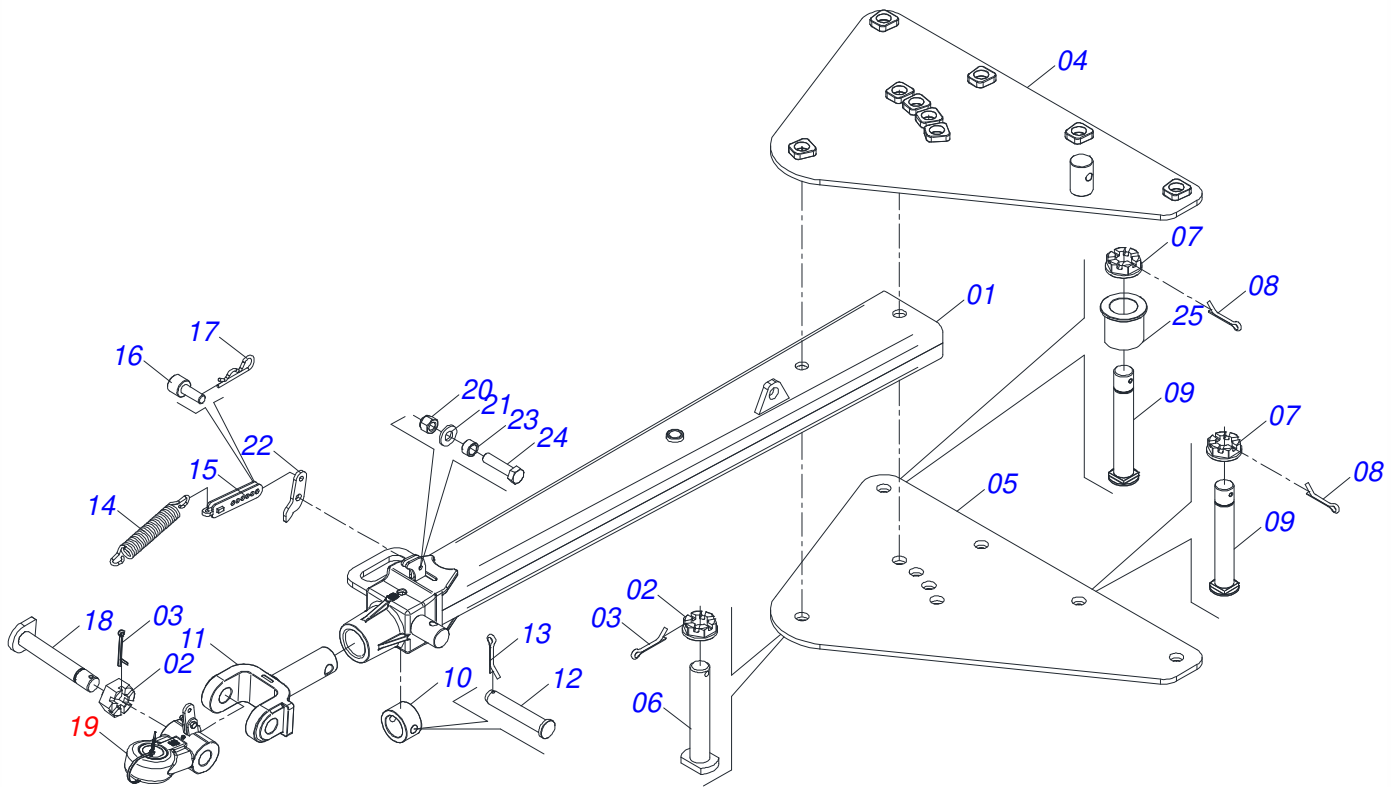


Item	Code	Description	See page	QT
01	0521068244	FRAME		01
02	0521068245	FRONT FRAME		01
03	0521068251	REAR FRAME		01
04	0521068257	FRONT SIDE FRAME RIGHT		01
05	0521068258	LEFT SIDE FRONT FRAME		01
06	0521068259	RIGHT SIDE REAR FRAME		01
07	0521068260	LEFT REAR FRAME		01
08	0511048088	DRAWBAR JACK	2	01
09	0521068250	HITCH BAR		01
10	0521041823	ASSY TRACTION BAR (PIN 3)	3	01
11		HEADER ARTICULATOR ASSEMBLY	5	
12		REAR COUPLING KIT	7	
13	0521066126	DISTRIBUTOR OIL TUBE		02
14	0521066937	OIL DISTRIBUTOR DUCT		02
15		ARTICULATION ASSEMBLY	9	
16	0541010763	FLAT WASHER		180
17	0521052001	ASSY PORT MANUAL INSTRUCCION	13	01
18	0541016676	1.1/2 X 175 AXLE		04
19	0503013662	1/2" X 1" BOLT		04
20	0581015612	JUNCTION SHAFT 50,90 X 452		04
21	0511019776	FLAT WASHER		08
22	0503011069	0.4" X 2.8" SPRING PIN		08
23	0521068256	AXIS BLOCAGE 25,40 X 285		04
24	0503030012	HITCH PIN CLIP		05
25	0503010002	1800 GREASE FITTING		25
26	0503010233	5/8" X 2-1/2" BOLT		04
27	0571010265	16.5 X 40 X 3 FLAT WASHER		04
28	0581011153	FRAME BEAT		04
29	0571013284	17.5 X 90 X 4.75 FLAT WASHER		06
30	0503010027	5/8 SPRING WASHER		94

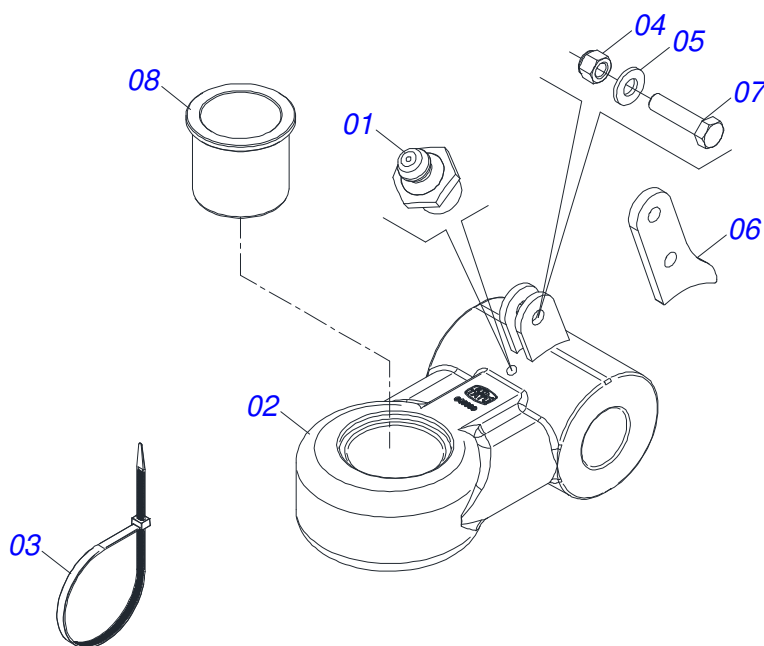
Item	Code	Description	See page	QT
31	0503010013	5/8" UNC G.5 ZN HEX NUT		94
32	0501047895	25 ROD STOP		04
33	0501047885	30 ROD STOP		02
34	0501047886	35 ROD STOP		02
35	0501047887	40 ROD STOP		02
36	0501047888	45 ROD STOP		02
37	0561016693	TRANSPORT LOCK		02
38	0541016844	FIXER LOCK		02
39	0503030285	HITCH PIN CLIP		02
40	0531061120	HOSE SUPPORT		01
41	0503010023	3/4" SPRING WASHER		01
42	0503010014	3/4" ZN G.5 (HEAVY) UNC HEX NUT		97
43		WHEEL ASSY	14	
44	0561014251	COUPLING SHAFT		01
45	0511059196	ASSY VALVE	21	01
46	0503011173	7/16" X 2" BOLT		04
47	0503010180	7/16" SPRING WASHER		01
48	0501012803	FLAT WASHER 12 X 30 X 3,00 ZN		04
49	0502010477	HOSE CLAMP		18
50	0521063989	50,8 X 380 AXLE WITH LOCK		02
51	0501011301	1.1/2" UNC 6FPP 2.5/16" NUT		02
52	0503010010	SPLIT PIN 1/4" X 2.1/2"		02
53	0503011135	BOLT 7/16" UNC X 1.1/2" C S G.5 ZN		12
54	0503019848	SAFETY CHAIN		01
55	0521040349	1-1/4" X 5.3/4" BOLT		08
55A	0501010954	1.1/4" X 5.3/4" BOLT		01
55B	0571010449	LOCK BOLT		01
55C	0571010448	32,50 X 75 X 16 SLEEVE		01
55D	0501010087	1.1/4" NUT		02
56	0501011432	1-1/2" AND 1-5/8 GANG BOLT WRENCH		01
57	0521062858	1.1/4" WRENCH NUT		01
58	0501316941	KEY 2.1/8 AND 2.1/2		02
59	0503016137	1-1/4" WRENCH CABLE CYLINDER		01
60	0511064771	FRONT SCRAPER SUPPORT		23
61	0521013678	FRONT CLEANER		11
62	0521013679	REAR CLEANER		12
63	0503012195	5/8" NUT		90
64	0501010500	3/4" X 3" BOLT		90
65		LANTERN FIXATION SET	19	
66	0503034004	ALUMINUM IDENTIFICATION DECAL		01
67	0503010001	RIVET 3,2 X 5,5		04
68	0503031428	READ MANUAL DECAL		01
68.	0503031738	WARNING DECAL		01
68..	0503033647	APPROVED DECAL		01
68...	0503031827	LUBRICATE AND RETIGHTEN DAILY DECAL		01
69	0503031896	DANGER DECAL		01
69.	0503033980	GAPCR HD 8013 ADHESIVE		02
69..	0503033237	CIVEMASA LOGO DECAL		02
69...	0503031739	DANGER DECAL		01
70	0503013171	SEALING 1/2" X 10M 1J51066		01
71		COMPLETE HYDRAULIC CIRCUIT	20	
72		COMPLETE DISC SECTION	23	



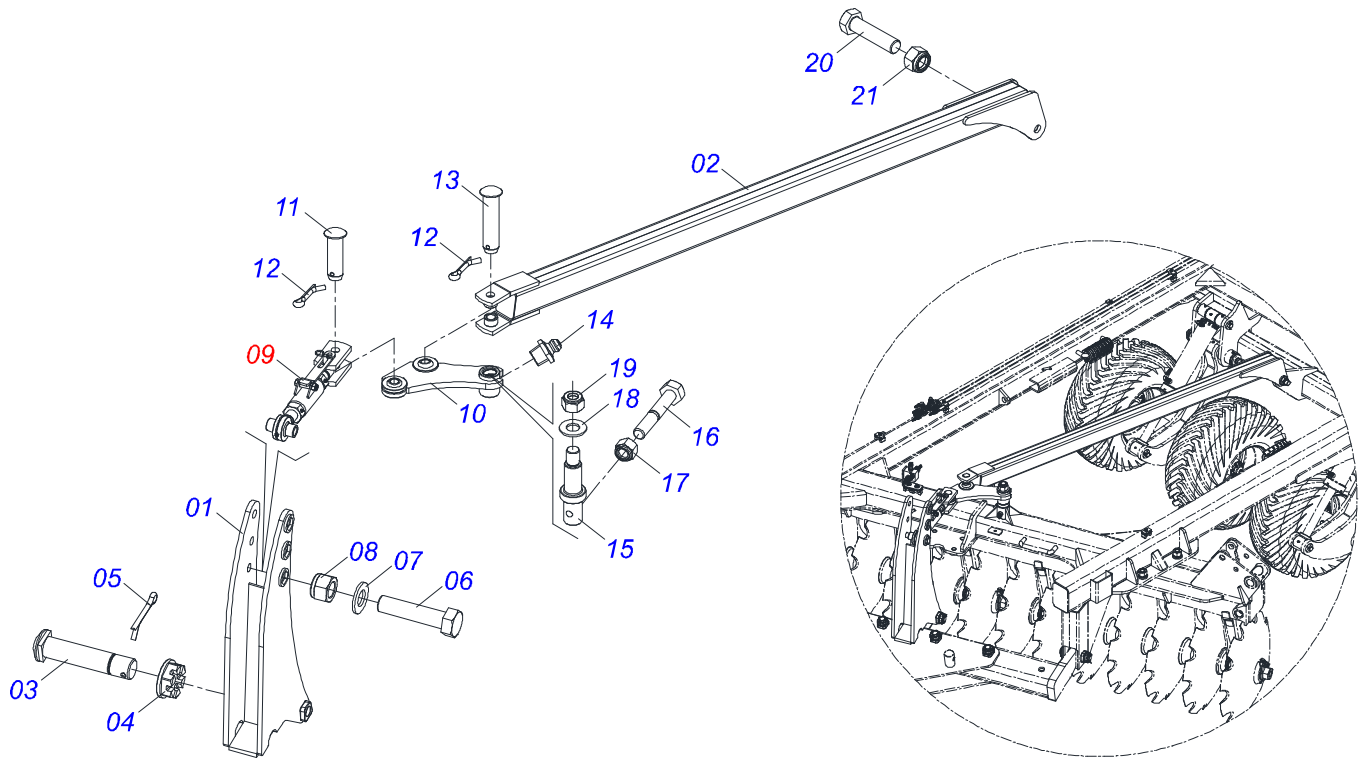
Item	Code	Description	See page	QT
01	0503062227	DRAWBAR JACK		01



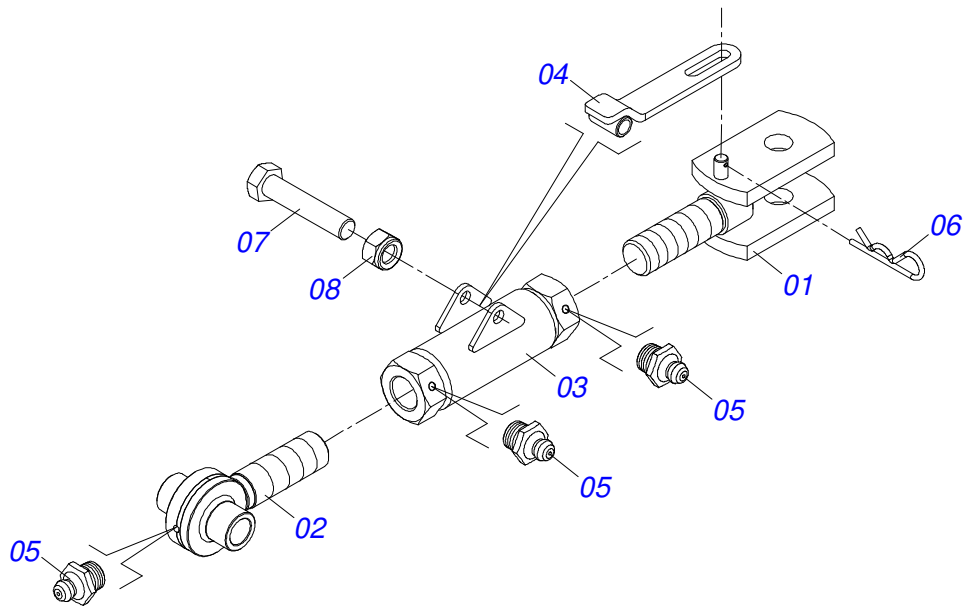
Item	Code	Description	See page	QT
01	0521068249	TRACTION BAR (AXLE 2)		01
02	0502040558	2" CASTLE NUT		02
03	0503010074	3/8" X 4" SPLIT PIN		02
04	0521068246	UPPER PLATE (AXLE 2)		01
05	0521068247	LOWER PLATE (AXLE 2)		01
06	0521068248	JUNCTION AXLE WITH LOCK		01
07	0501811301	CASTLE NUT		05
08	0503010010	SPLIT PIN 1/4" X 2.1/2"		05
09	0521811880	37,50 X 230 X PQ R.1./2 JUNCTION AXLE		05
10	0502040263	HITCH LOCK RING		01
11	1902040897	TRACTOR HITCH		01
12	0561017306	COUPLING SHAFT		01
13	0503010523	1/4" X 2" SPLIT PIN		01
14	0503031741	1.8" X 11.4" 0.3" TRACTION SPRING		01
15	0531061607	SPRING REGULATOR		01
16	0591014558	SPRING REGULATOR FIXER AXLE		01
17	0503030285	HITCH PIN CLIP		01
18	0531061122	AXIS ARTICULATOR		01
19	0531040171	ASSY HITCH	4	01
20	0503010589	UNC SELF ADJUSTING NUT 1/2" UNC ALTA G.5 ZN		01
21	0501010937	13,50 X 28 X 3,00 FLAT WASHER		01
22	0591014554	REAR SUPPORT FIXING SPRING		01
23	0591014552	SLEEVE		01
24	0503010740	BOLT 1/2 UNC X 2 CS G.5 ZN		01
25	0591013086	SLEEVE 52,8 X 78 X 76 (PIN 2")		01



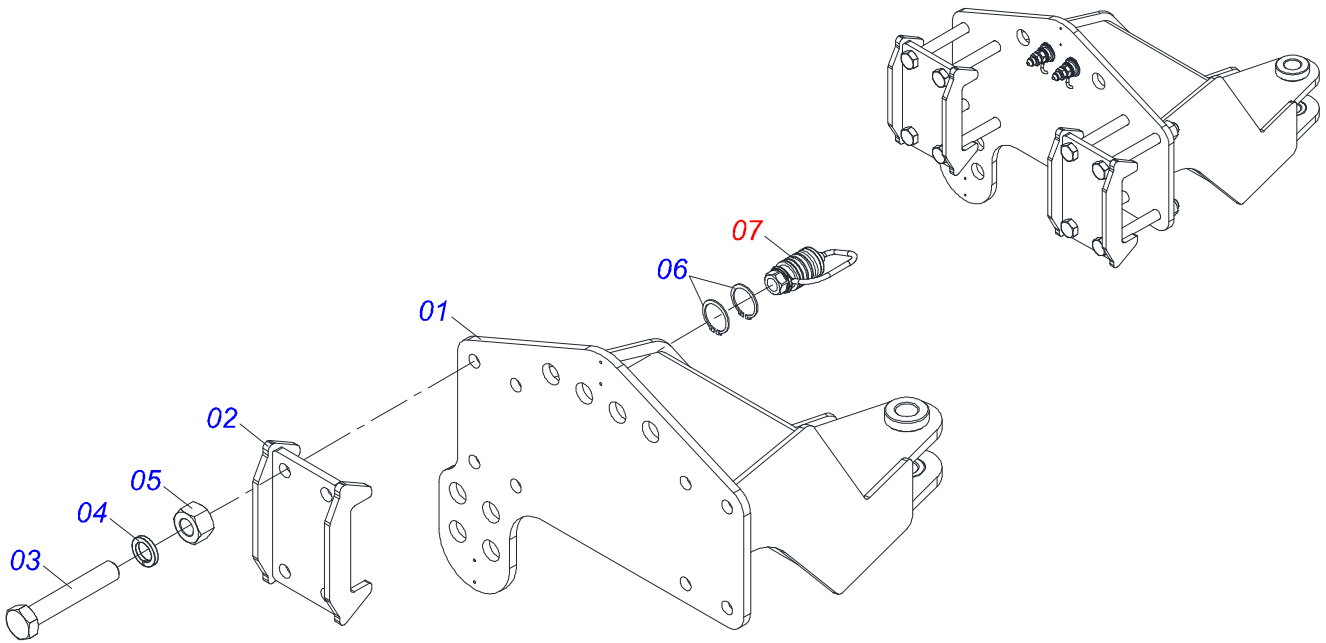
Item	Code	Description	See page	QT
01	0503010002	1800 GREASE FITTING		01
02	0531061121	HITCH		01
03	0503018829	NYLON CLAMP 7,8 X 1,8 X 390 MM		01
04	0503010589	UNC SELF ADJUSTING NUT 1/2" UNC ALTA G.5 ZN		01
05	0501010937	13,50 X 28 X 3,00 FLAT WASHER		01
06	0591014555	FRONT SUPPORT FIXING SPRING		01
07	0503010740	BOLT 1/2 UNC X 2 CS G.5 ZN		01
08	0591013448	SLEEVE 65,50 X 78 X 76 (PIN 2.1/2")		01



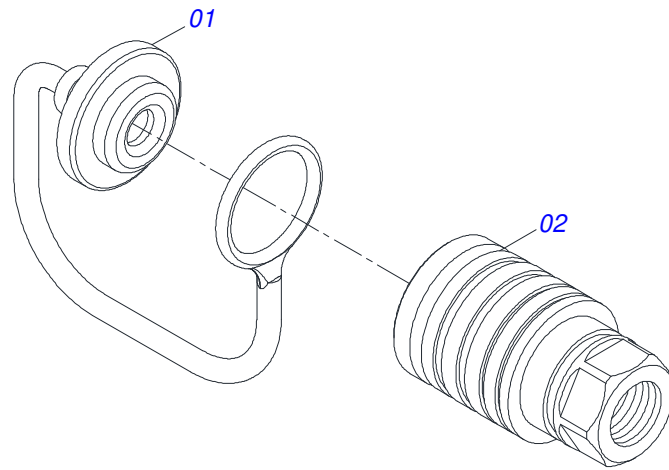
Item	Code	Description	See page	QT
01	0521066758	DRAWBAR ARTICULATOR		01
02	0521066759	STABILIZER BAR		01
03	0521012053	1.5" X 8.6" AXLE		01
04	0501011301	1.1/2" UNC 6FPP 2.5/16" NUT		01
05	0503010010	SPLIT PIN 1/4" X 2.1/2"		01
06	0521017351	1-1/4" X 8" BOLT		01
07	0501017779	FLAT WASHER 32 X 60 X 4,75		01
08	0503010817	SELF LOCKING NUT 1.1/4 UNF ALTA G.5 ZN		01
09	0511059199	STABILIZER BAR REGULATOR EXTENSOR	6	01
10	0521066960	STABILIZER BAR ARTICULATOR		01
11	0521010780	1.2" X 4.5" COUPLING SHAFT		01
12	0503010523	1/4" X 2" SPLIT PIN		02
13	0581811919	AXIS JUNCTION		01
14	0503010002	1800 GREASE FITTING		01
15	0581011775	STABILIZER BAR ARTICULATING PIVOT AXLE		01
16	0501010216	3/4 UNC X 4.1/2 C S G.5 ZN BOLT		01
17	0503011075	UNC NUT 3/4 UNC ALTA G.5 ZN		01
18	0501010287	FLAT WASHER		01
19	0503010290	SELF ADJUSTING 1.1/2" UNF NUT		01
20	0503013321	SCREW 1.1/4 UNF X 7 C S G.8 ZN		01
21	0503010817	SELF LOCKING NUT 1.1/4 UNF ALTA G.5 ZN		01



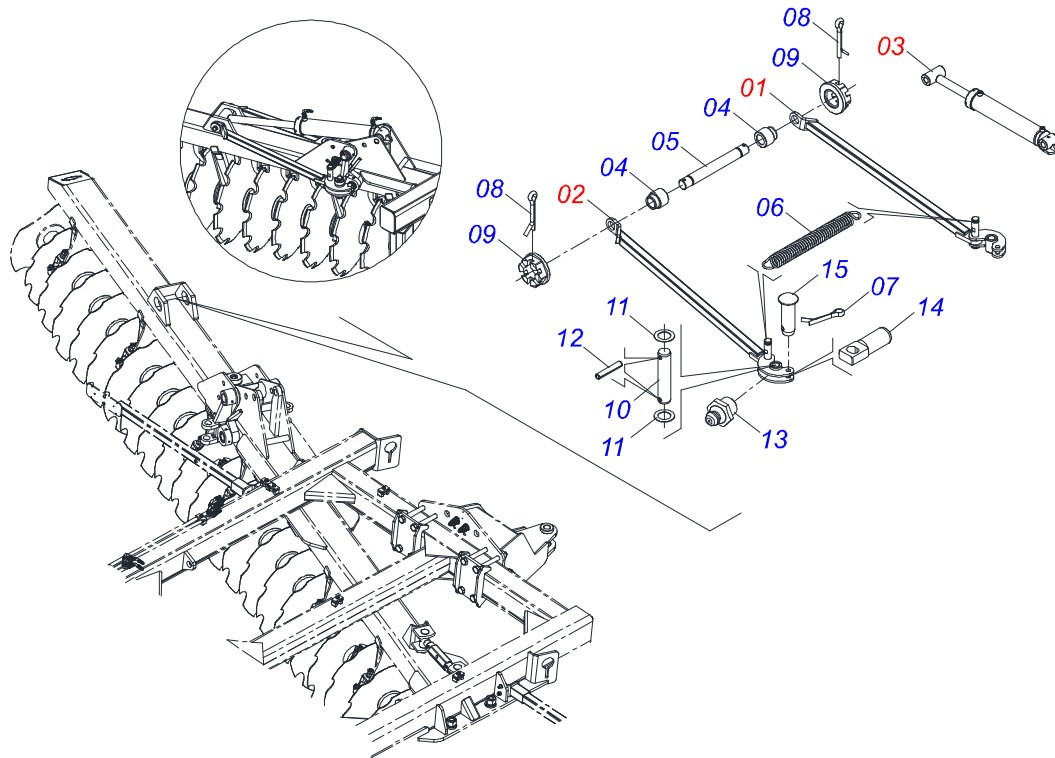
Item	Code	Description	See page	QT
01	0521066962	EXTENSION PIN C/O. R.1.3/4 LEFT		01
02	0521066965	JACK CRANK NUT FIXER R.1.3/4 UNC DIREITO		01
03	0521066963	ADJUSTMENT NUT R.1.3/4 UNC (245)		01
04	0521066964	STABILIZER TENSOR REGULATOR LEVER		01
05	0503010002	1800 GREASE FITTING		03
06	0503030285	HITCH PIN CLIP		01
07	0503010806	5/8" X 3" BOLT		01
08	0503010878	5/8" SELF ALIGNING NUT		01



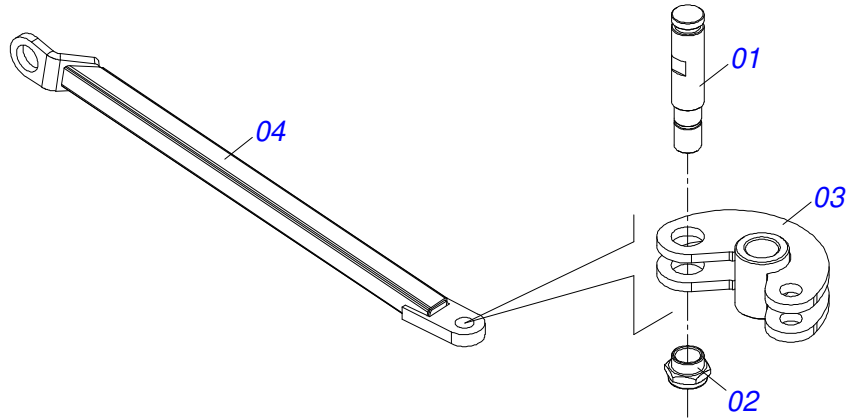
Item	Code	Description	See page	QT
01	0521065966	REAR HITCH		01
02	0521065965	FIXER CLAW		02
03	0501010064	BOLT 1" UNC X 9 CS G.5 ZN		08
04	0503010012	1" SPRING WASHER		08
05	0501010059	1.5/8 NUT		08
06	0503010217	501040 CLAMPING RING (FOR AXLE)		04
07	0501053835	FEMALE QUICK COUPLER	8	02



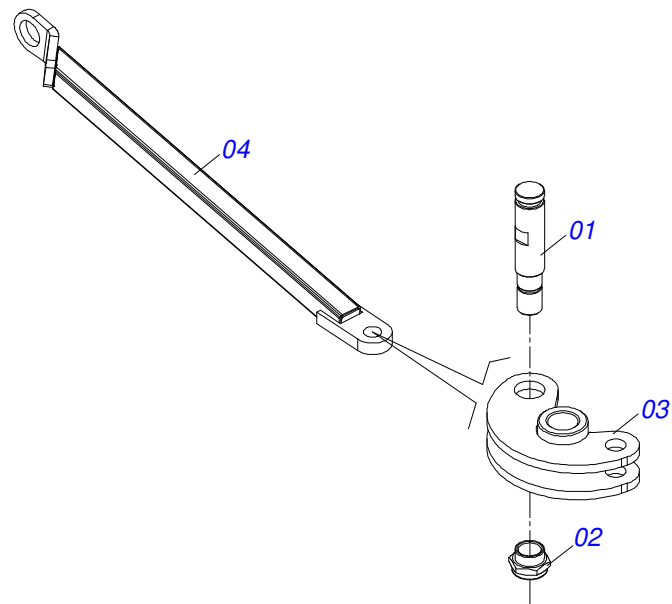
Item	Code	Description	See page	QT
01	0503011883	QUICK CONNECTION COVER		01
02	0503011628	FEMALE QUICK COUPLER		01



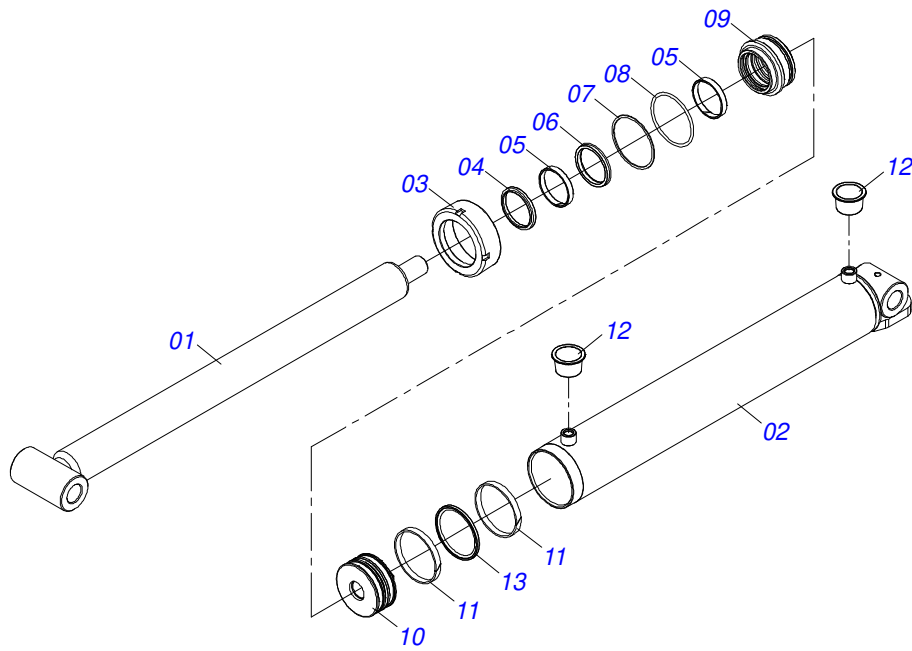
Item	Code	Description	See page	QT
01	0511050181	COMPLETE FRONT LEFT REAR RIGHT ARTICULATION	10	04
02	0511050182	ARTICULACION FRONT RIGHT REAR LEFT COMPLETE	11	04
03	0511059197	3" X 4" X 42" X 28" HYDRAULIC CYLINDER	12	04
04	0541016614	38,20 X 62 X 61 SLEEVE		08
05	0501210091	ARTICULATOR PIVOT AXIS		04
06	0503034605	SPRING TRACTION 50,70 X 411 X 6,35		04
07	0503010571	1/4" X 1.1/2" SPLIT PIN		08
08	0503010010	SPLIT PIN 1/4" X 2.1/2"		08
09	0501011301	1.1/2" UNC 6FPP 2.5/16" NUT		08
10	0541016677	37,20 X 177 COUPLING SHAFT		08
11	0511019685	FLAT WASHER		16
12	0503010361	SPRING PIN		16
13	0503010002	1800 GREASE FITTING		02
14	0561013283	LOCK AXLE FRAME		08
15	0521010572	0.9" X 2.9" COUPLING SHAFT		08



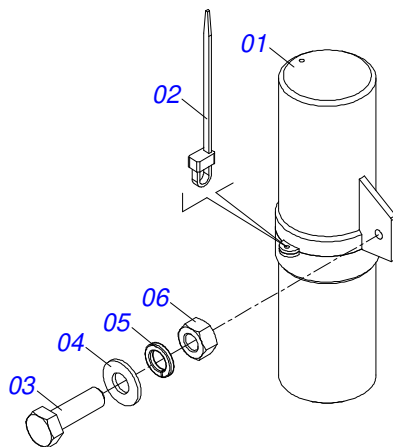
Item	Code	Description	See page	QT
01	0561014074	LOCK AXLE		01
02	0541019258	1.1/4 ADJUSTING NUT		01
03	0521060779	LOCK PIN		01
04	0521060770	FRONT ARTICULACION ARM		01



Item	Code	Description	See page	QT
01	0561014074	LOCK AXLE		01
02	0541019258	1.1/4 ADJUSTING NUT		01
03	0521060779	LOCK PIN		01
04	0521060771	ARTICULATION ARM ASSY		01

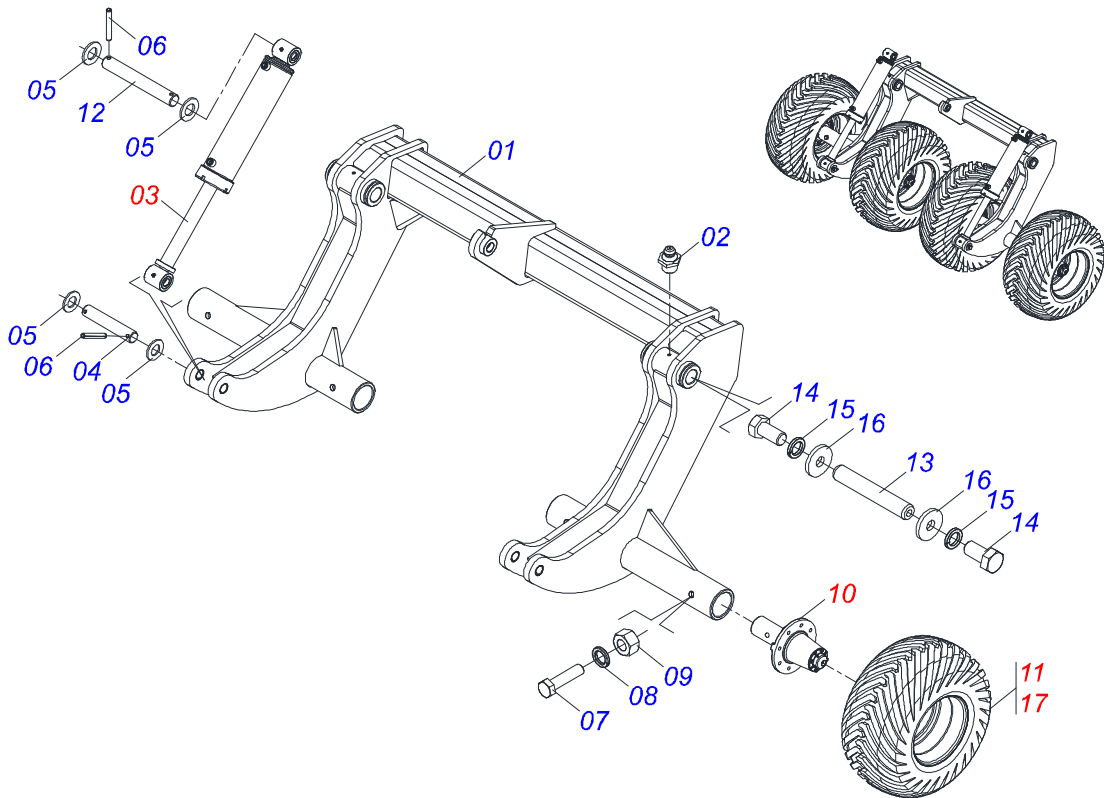


Item	Code	Description	See page	QT
01	0521060777	76,20 X 1020,50 TURNBUCKLE		01
02	0521067412	SHIRT 114.30 X 897.50 WITH BEATER		01
03	0502012629	MOBILE COVER 114,30 (E. 76,20)		01
04	0503012642	D-3000 SCRAPER RING		01
05	0503013553	SEAL RING		02
06	0503013552	GASKET		01
07	0503011893	BACK-UP RING, 8-346		01
08	0503011892	O' RING, 2-346 N 3006-9B		01
09	0502012628	76,30 X 114,20 RING SUPPORT		01
10	0502012477	114,30 PISTON		01
11	0503011891	W2-4500-500 RING G.E		02
12	0503030384	CON PLUG N-001		02
13	0503014692	OE 114,3 GASKET		01

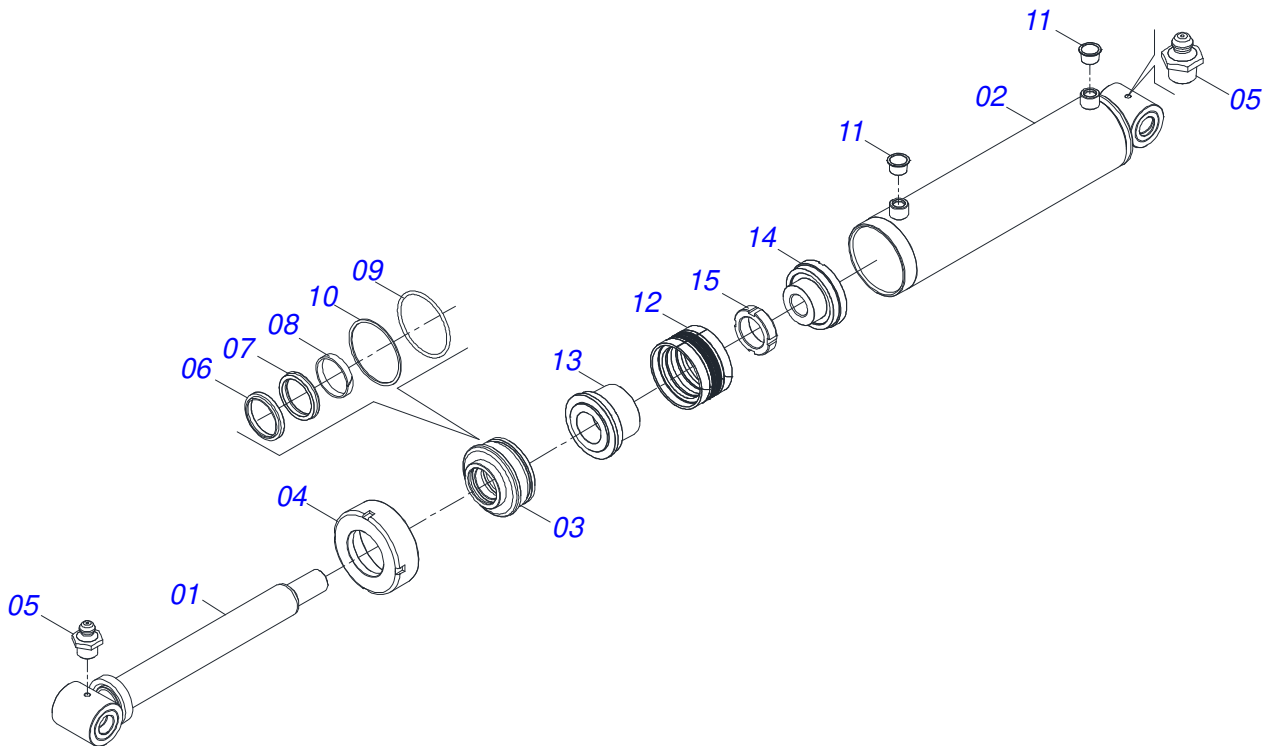


Item	Code	Description	See page	QT
01	0503060100	SUPPORT INSTRUCTION MANUAL		01
02	0503010267	NYLON CLAMP 3,60 X 1,3 X 155 MM		01
03	0503010363	BOLT 5/16 UNC X 1 C S G.2 ZN		01
04	0501010694	FLAT WASHER 32,50 X 75 X 4,75		01
05	0503010179	LOCK WASHER 5/16 ZN 1K01528		01
06	0503010337	NUT 5/16 UNC G.5 ZN		01
07	0511032996	PLASTIC COVER WITH INSTRUCTIONS MANUAL		01

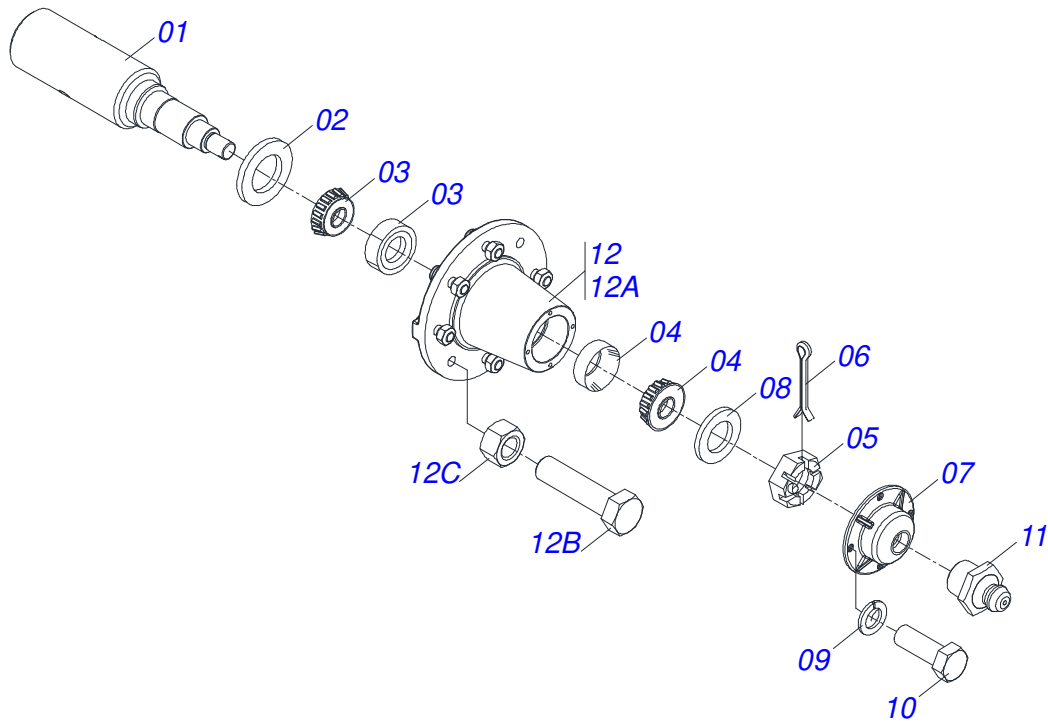
WHEEL ASSY



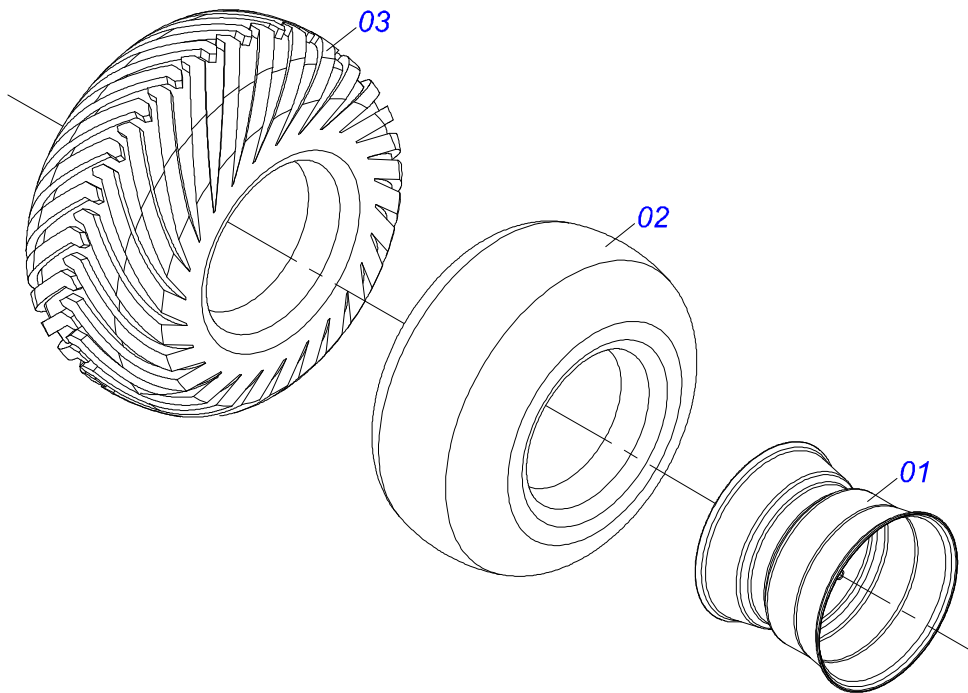
Item	Code	Description	See page	QT
01	0521066478	CARRYNG-WHEELS		01
02	0503010002	1800 GREASE FITTING		02
03	0521051832	HYDRAULIC CYLINDER 53,98 X 114,30 X 654 X 346	15	02
04	0531018101	1.2" X 6.3" PIVOT SHAFT		02
05	0501017779	FLAT WASHER 32 X 60 X 4,75		08
06	0503011877	0.3" X 2.4" SPRING PIN		08
07	0503011198	BOLT 3/4" UNC X 6" CS G.5		02
08	0503010023	3/4" SPRING WASHER		02
09	0503010014	3/4" ZN G.5 (HEAVY) UNC HEX NUT		02
10	0501056467	STUB SHAFT & HUB ASSY 21FT	16	02
11	0503060102	WHEEL AND TIRE 400/60 - 14L RIGHT	17	02
12	0531018105	1.2" X 11.8" PIVOT SHAFT		02
13	0531018062	COUPLING SHAFT		02
14	0503011250	1" X 2" BOLT		04
15	0503010012	1" SPRING WASHER		04
16	0521011565	FLAT WASHER		04
17	0503063403	WHEEL WITH TIRE 400/60 - 14L LEFT	18	02



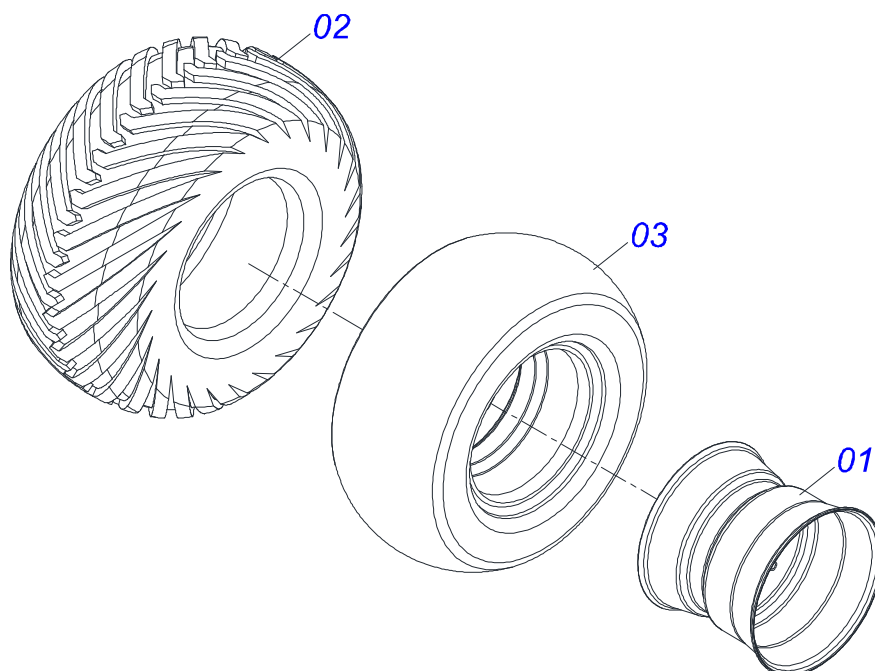
Item	Code	Description	See page	QT
01	0521061684	56,98 X 590,50 TURNBUCKLE		01
02	0521061685	114,30 X 500 CYLINDER CASE		01
03	0502012644	RING SUPPORT		01
04	0502011222	END CAP 4 . 1/2"		01
05	0503010002	1800 GREASE FITTING		02
06	0503015715	SCRAPER SEALING		01
07	0503015642	U-CUP SEALING RUUB000970		01
08	0503015641	WEAR RING		00
09	0503011892	O' RING, 2-346 N 3006-9B		01
10	0503011893	BACK-UP RING, 8-346		01
11	0503030384	CON PLUG N-001		02
12	0503015640	SEALING SELEMASTER		01
13	0561016578	PISTON BODY		01
14	0581015283	BODY		01
15	0503819100	SCREW		01
16	0511034304	HYDRAULIC CYLINDER REPAIR KIT (0521051832)		01



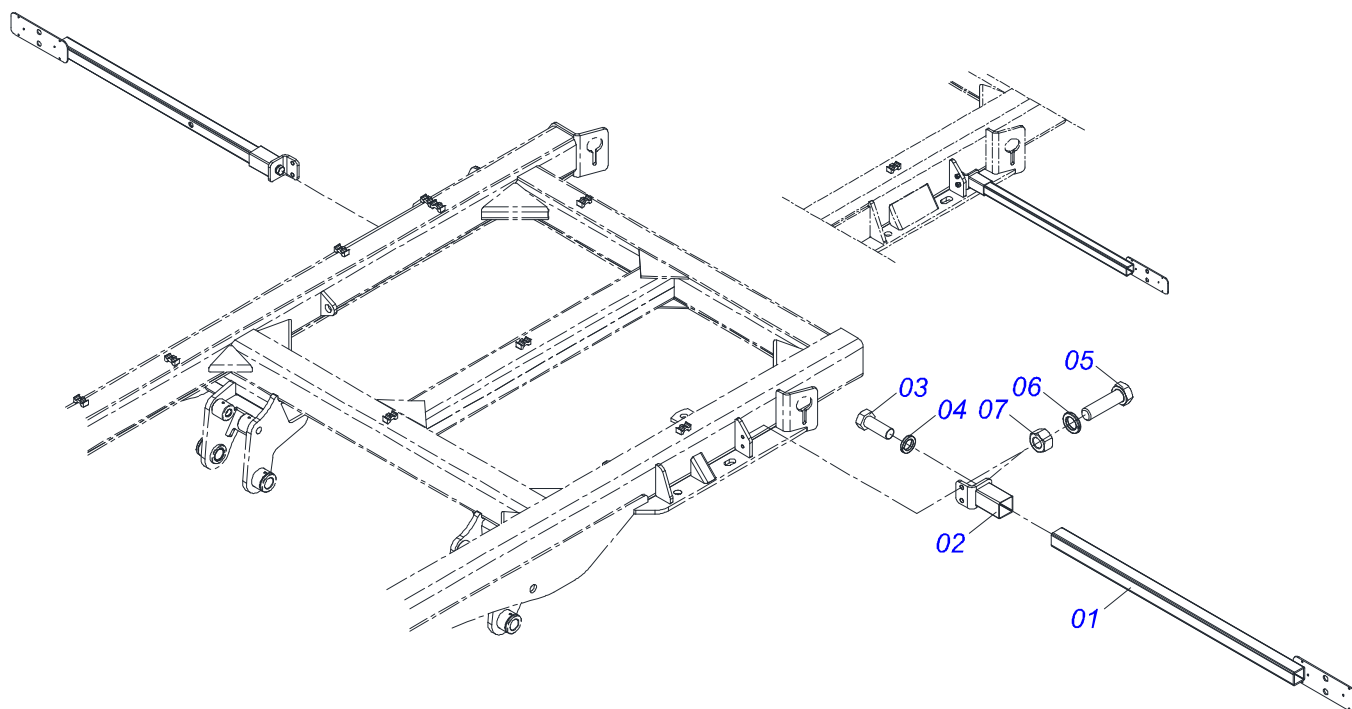
Item	Code	Description	See page	QT
01	0541016566	SPINDLE 3.1/2 X 375		01
02	0503013314	RETAINER 5166-GB 63,5 X 110 X 13 ARCA		01
03	0503015290	ROLLER BEARING 3780/3720		01
04	0503014821	ROLLER BEARING 2780/2720		01
05	0503830009	CASTLE NUT R 1 UNS 14FPP X 22 SA		01
06	0503010018	5/32" X 1-1/2" SPLIT PIN		01
07	0502020591	PROTECCION COVER		01
08	0511812492	FLAT WASHER 28 X 46 X 6,30 AS		01
09	0503011444	SPRING WASHER 5/16"		04
10	0503810358	BOLT 5/16 UNC X 7/8" C S G.5 SA		04
11	0503010002	1800 GREASE FITTING		01
12	0501110738	CARRYING WHEEL HUB 21FT		01
12A	0502012260	TRANSPORT CARRYING-WHEEL HUB		01
12B	0501010186	WHEEL BOLT 5/8" UNF X 2.1/8CR		08
12C	0503010064	5/8 UNF CONIC NUT		08



Item	Code	Description	See page	QT
01	0501069483	WHEEL 13 X 15,5 - 21FT		01
02	0503012112	400/60 - 15.5 TR 15 INNER TIRE		01
03	0503013119	CANVAS TIRE 400/60-15,5-T404-14L TRELEBORG		01

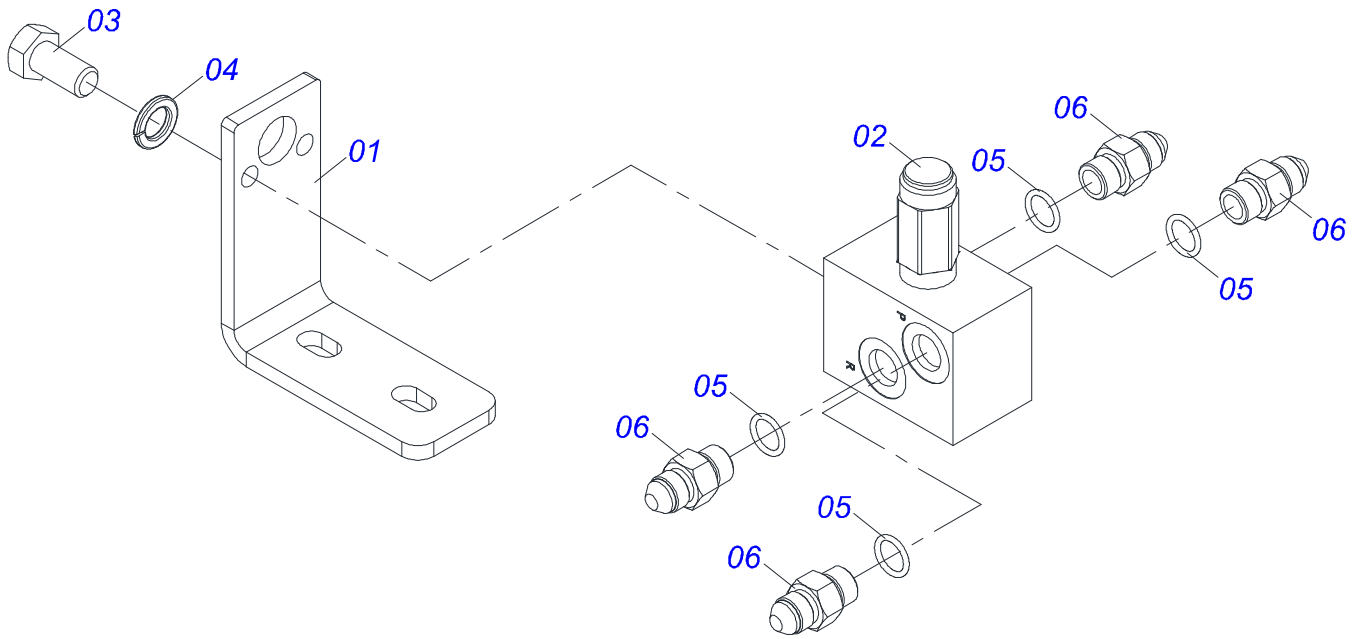


Item	Code	Description	See page	QT
01	0501069483	WHEEL 13 X 15,5 - 21FT		01
02	0503013119	CANVAS TIRE 400/60-15,5-T404-14L TRELEBORG		01
03	0503012112	400/60 - 15.5 TR 15 INNER TIRE		01

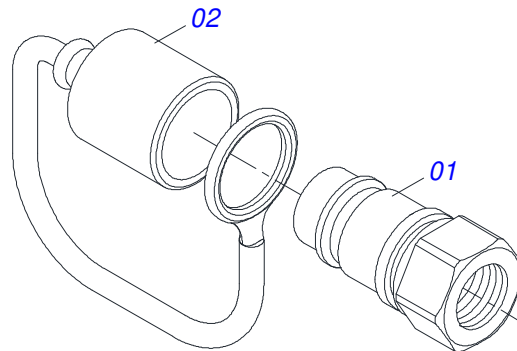


Item	Code	Description	See page	QT
01	0521066443	SUPPORT FIXER LANTERN		02
02	0521066624	FIXER SUPPORT LANTERN		02
03	0501010098	BOLT 3/4" UNC X 2 C S G.5 ZN		02
04	0503010023	3/4" SPRING WASHER		02
05	0503011082	C1/2" X 1.3/4" SCREW		04
06	0503010019	1/2" SPRING WASHER		04
07	0503010060	1/2 UNC G.5 ZN HEX NUT		04

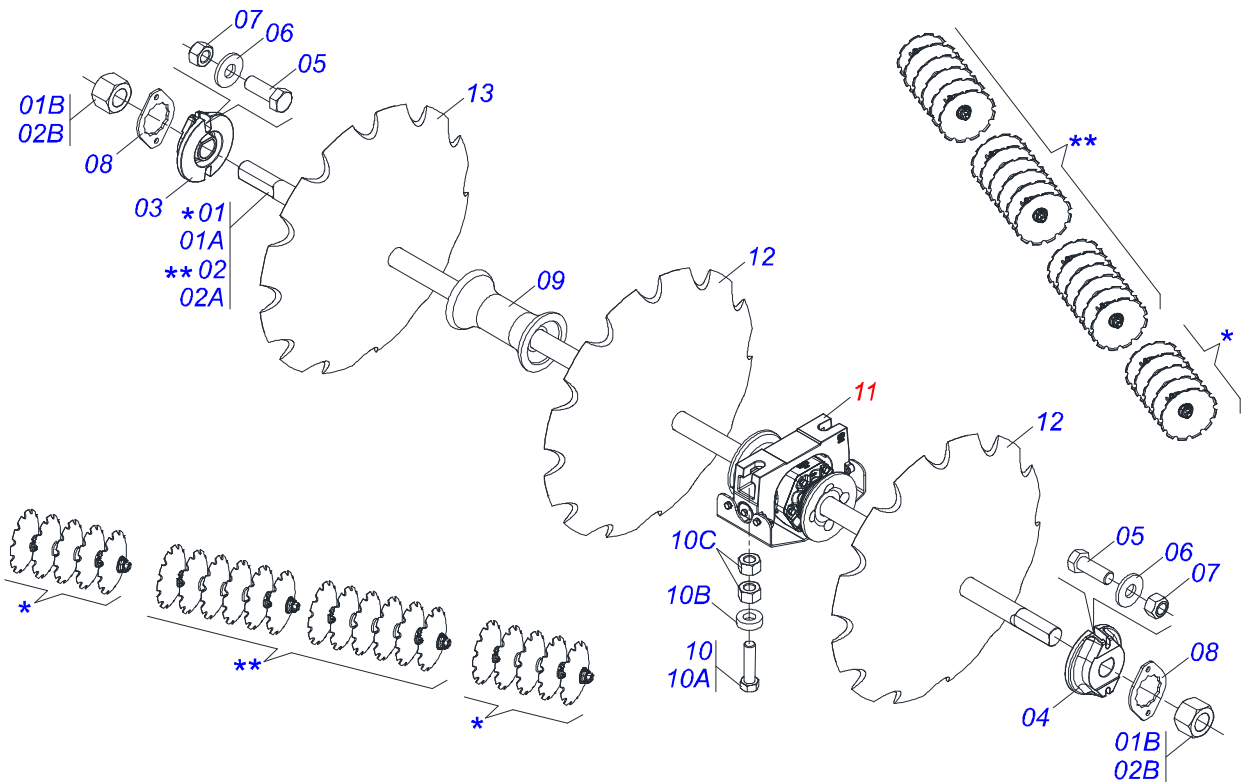
Item	Code	Description	See page	QT
13GC	0503034494	HYDRAULIC HOSE GRIP (BLUE)		01
13GD	0503018952	PH 2,5 X 10 ZB PLASTIC BOLT		06
13H	0521052430	3/8" X 472" TC-TM GRAY/RED HOSE		01
13HA	0501082031	3/8" X 472" TC-TM HOSE		01
13HB	0503034489	HYDRAULIC HOSE GAUNTLET (GRAY)		01
13HC	0503034495	HYDRAULIC HOSE GRIP (RED)		01
13HD	0503018952	PH 2,5 X 10 ZB PLASTIC BOLT		06
13I	0531055152	3/8" X 236" TR-TM BLACK/BLUE HOSE		01
13IA	0501082444	3/8" X 236" TR-TM HOSE		01
13IB	0503034492	HYDRAULIC HOSE GRIP (BLACK)		01
13IC	0503034494	HYDRAULIC HOSE GRIP (BLUE)		01
13ID	0503018952	PH 2,5 X 10 ZB PLASTIC BOLT		06
13J	0531055151	3/8" X 236" TR-TM BLACK/RED HOSE		01
13JA	0501082444	3/8" X 236" TR-TM HOSE		01
13JB	0503034492	HYDRAULIC HOSE GRIP (BLACK)		01
13JC	0503034495	HYDRAULIC HOSE GRIP (RED)		01
13JD	0503018952	PH 2,5 X 10 ZB PLASTIC BOLT		06
13K	0501080106	3/8" X 31" TR-TR HOSE		02
13L	0501080931	3/8" X 39" TC-TC HOSE		01
13M	0501080065	3/8" X 47" TC-TC HOSE		01
13N	0501080432	3/8" X 102" TC-TC HOSE		01
13O	0501080393	3/8" X 86" TC-TC HOSE		01



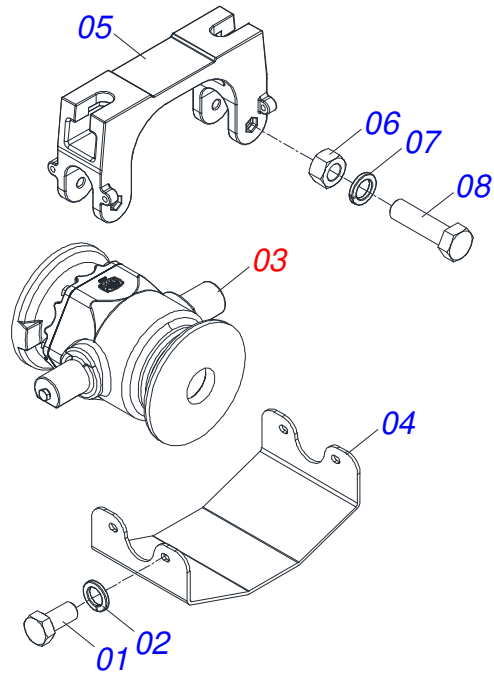
Item	Code	Description	See page	QT
01	0581011745	VALVE SUPPORT		01
02	0503010919	DISCHARGE VALVE		01
03	0503011334	BOLT 3/8" UNC X 3/4" CS G.5 ZN		02
04	0503010025	3/8 SPRING WASHER		02
05	0503010190	2-114 N 3006-9B O'RING		04
06	0501010617	NIPLE 3/4" NF X 3/4" NF HEX. 7/8" X 44		04



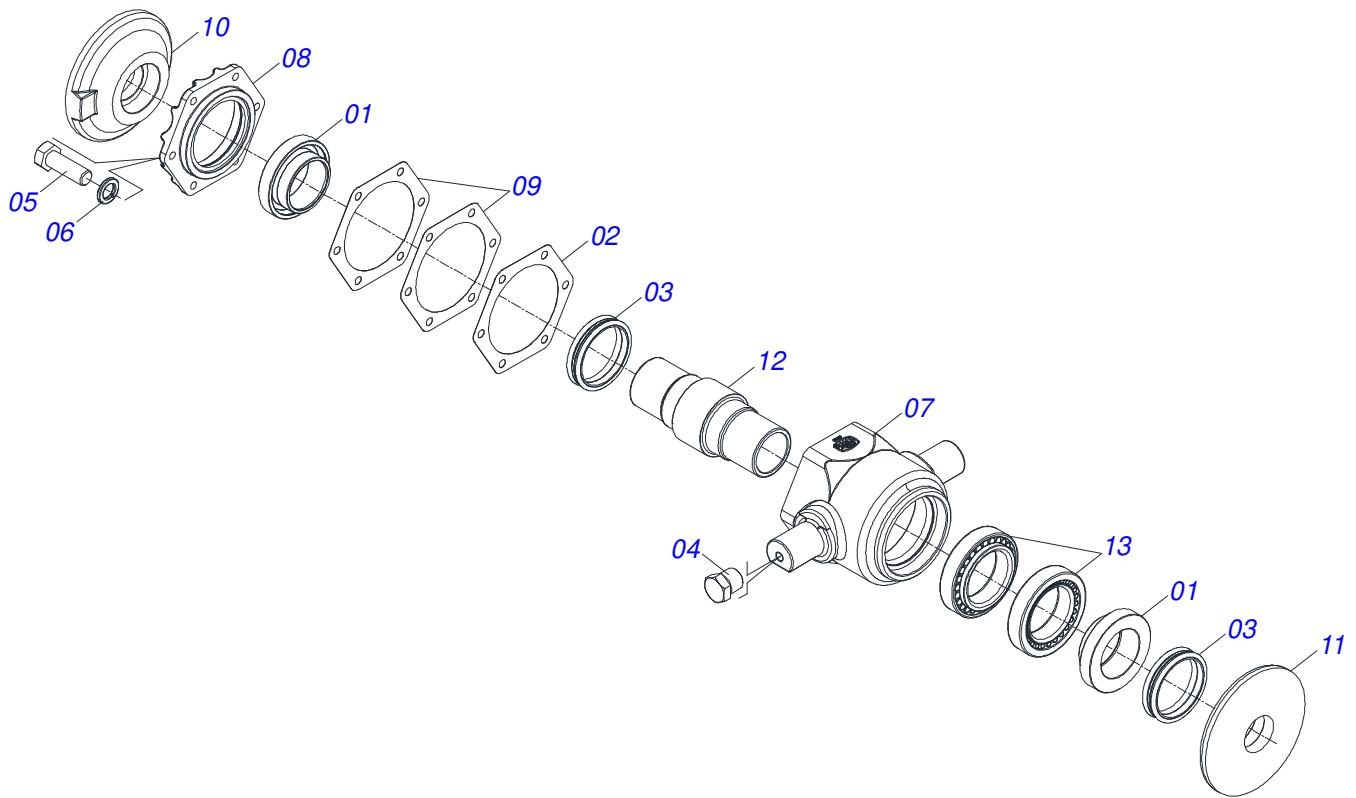
Item	Code	Description	See page	QT
01	0503011627	MALE QUICK COUPLER AGR 1/2 NPT		01
02	0503011882	MALE QUICK COUPLER CAP		01



Item	Code	Description	See page	QT
01*	0511042483	2-1/2" X 65" AXLE WITH NUTS		03
01A	0541012128	2-1/2" X 65" AXLE WITH NUTS		01
01B	0502040064	2.1/2" SNC X 70 99 NUT		02
02**	0511042484	2-1/2" X 78" AXLE WITH NUTS		05
02A	0541012129	2-1/2" X 78" AXLE		01
02B	0502040064	2.1/2" SNC X 70 99 NUT		02
03	0502010592	2.1/2" INNER AXLE WASHER		08
04	0502010593	2.1/2" EXTERNAL AXLE WASHER		08
05	0503010232	5/8" X 1.3/4" BOLT		32
06	0501012140	FLAT WASHER 16,50 X 40 X 4,00 ZN		32
07	0503012412	5/8" UNC SELF LOCKING NUT		32
08	0541010368	NUT LOCK		16
09	0502011425	13" X 2-1/2" SPACER		21
10	0531040741	ASSY 1.1/4 UNC X 5 BOLT		32
10A	0503011347	1.1/4" X 5" BOLT		01
10B	0571010448	32,50 X 75 X 16 SLEEVE		01
10C	0501010087	1.1/4" NUT		02
11	0531041672	330 X 2.1/2 BEARING	24	16
12	0602048063	DR 36 X 9 C130AF04FR2.9/16 12REC		44
13	0602044033	DR 32 X 9 C115AF04FR2.9/16 10REC		01



Item	Code	Description	See page	QT
01	0503010834	1/2 X 1 BOLT		04
02	0503010019	1/2" SPRING WASHER		04
03	0531053201	BEARING	25	01
04	0591011532	OSCILLATING BEARING COVER		01
05	0502013022	CENTRAL OSCILLATING BEARING SUPPORT		01
06	0503010013	5/8" UNC G.5 ZN HEX NUT		02
07	0503010027	5/8 SPRING WASHER		02
08	0503010480	5/8" X 4.3/4" BOLT		02



Item	Code	Description	See page	QT
01	0502040119	SEAL RETAINER		02
02	0503035599	205 X 160,5 X 0,20 SEAL GASKET		01
03	0503030029	RETAINER LP JB-259		02
04	0503010856	OIL PLUG R 3/8 BSPT		02
05	0503010920	1/2 UNC X 1.1/2 C S G.5 ZN BOLT		06
06	0503011440	SPRING WASHER		06
07	0502013021	BEARING BOX		01
08	0502013005	BEARING HUB LID		01
09	0503035600	205 X 160,5 X 0,40 SEAL GASKET		02
10	0502012239	BEARING OUTER FLANGE		01
11	0502012238	BEARING INNER FLANGE		01
12	0502040204	AXLE		01
13	0503010482	594A/592A ROLLER BEARING		02



civemasa

Technical Publications | Elaboration and Revision

ALESSANDRA PATRICIA KAWAHARA CARRILI

www.civemasa.com.br

