

**DISK HARROWS**

**GPCM - 12/14/16/18/20/24D**  
**GPCM - 12/14/16/18/20/24D**

**Code:** 0501093729  
**Series:** S-1123  
**Revision:** 00  
**Revision Date:** MARCH/2024

**PARTS**  
**CATALOGUE**

***CIVEMASA***




# PRODUCTS

Code	Working Width	Description
0121790014		GPCM 12 X 32 X 12,00 DR DMO E 2.1/8 S-1123
0121790019		GPCM 12 X 32 X 9,00 DR DMO E 2.1/8 S-1123
0121790018		GPCM 14 X 32 X 9,00 DR DMO E 2.1/8 S-1123
0121790016		GPCM 16 X 32 X 9,00 DR DMO E 2.1/8 S-1123
0121790022		GPCM 16 X 34 X 9,00 DR DMO E 2.1/8 S-1123
0121790013		GPCM 18 X 34 X 9,00 DR DMO E 2.1/8 S-1123
0121790020		GPCM 20 X 30 X 7,50 DR DMO E 2.1/8 S-1123
0121790012		GPCM 20 X 32 X 12,00 DR DMO E 2.1/8 S-1123
0121790021		GPCM 20 X 32 X 9,00 DR DMO E 2.1/8 S-1123
0121790015		GPCM 20 X 34 X 9,00 DR DMO E 2.1/8 S-1123
0121790017		GPCM 24 X 32 X 9,00 DR DMO E 2.1/8 S-1123

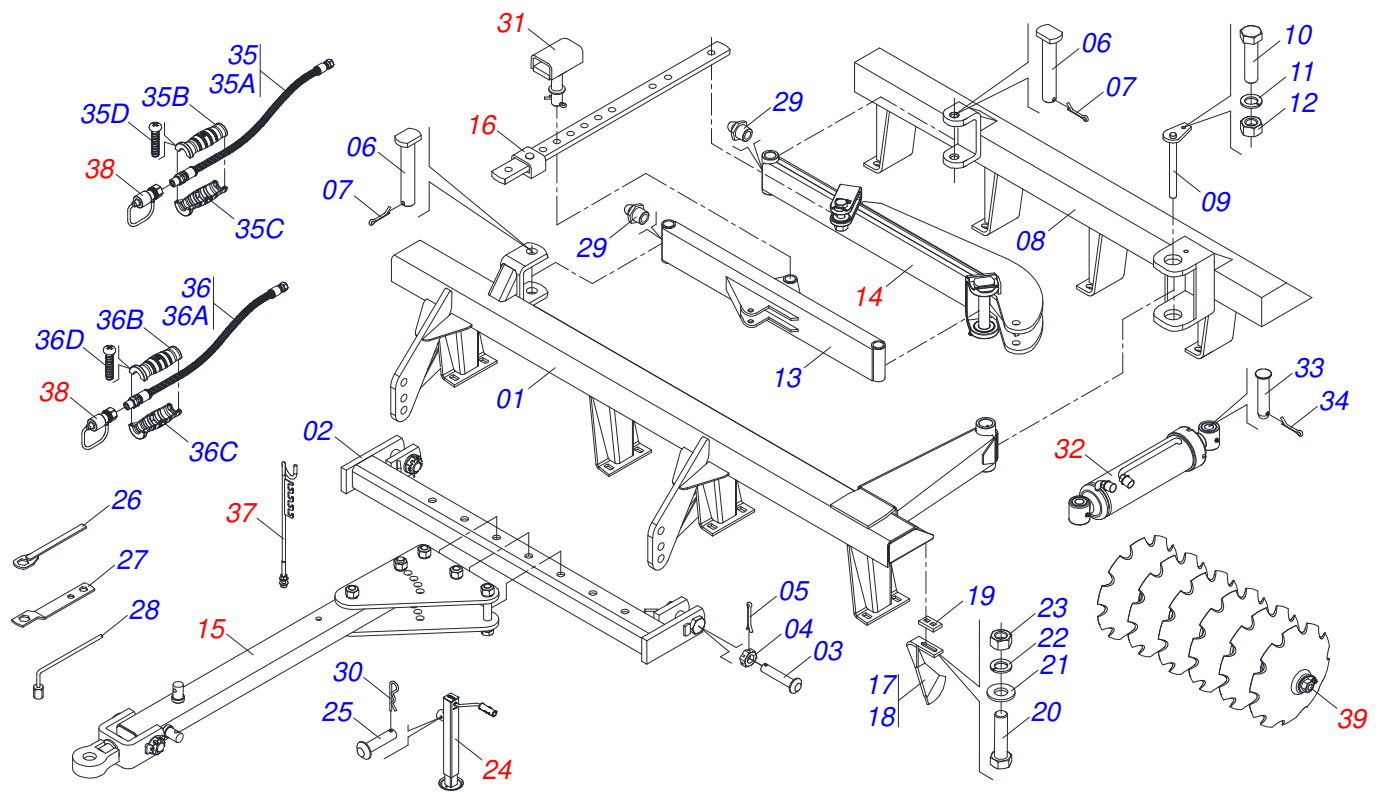
## ATTENTION: IMPORTANT

CIVEMASA reserves the right to improve and/or modify the technical features of its products, without obligation to do the same with those products already sold and without prior knowledge of the dealer or the customer. The photos are only illustrative.



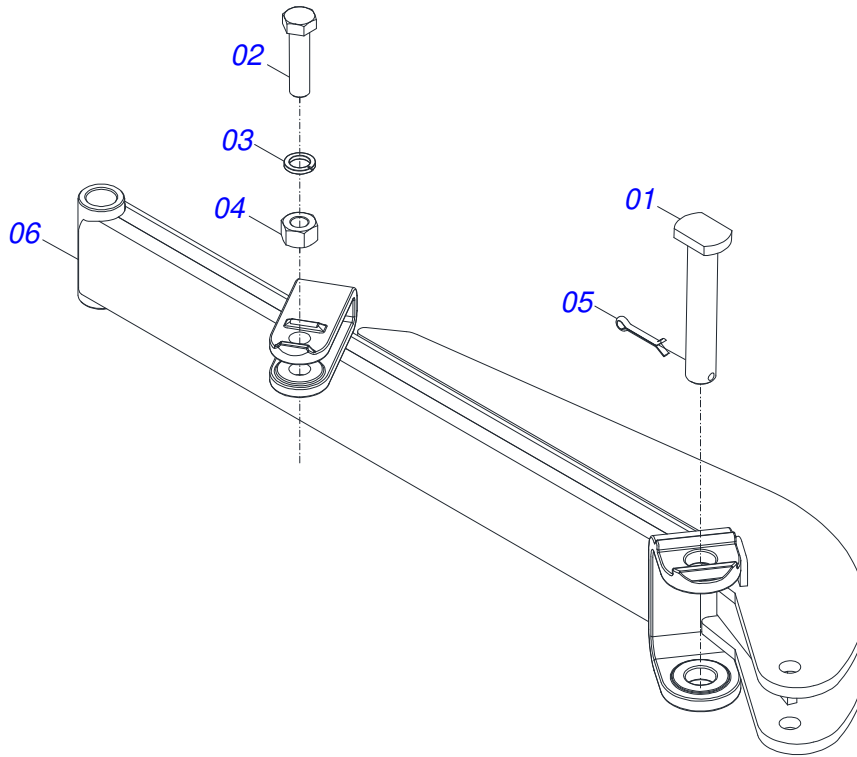
# INDEX

0909097162	GPCM - 12/14/16/18/20/24D	.....	1
0501041219	REAR STABILIZER BAR - 12/14/16D	.....	2
0501041229	REAR STABILIZER BAR - 18/20/24/30D	.....	3
0501041215	DRAWBAR ASSY - 10/12/14D	.....	4
0501041372	DRAWBAR ASSY - 16/18/20/24D	.....	5
0501041859	ADJUSTMENT BAR ASSY - 10/12/14/16D	.....	6
0501041216	ADJUSTMENT BAR ASSY - 18/20/24/30D	.....	7
0503062157	DRAWBAR JACK	.....	8
0501041199	ADJUSTMENT BODY ASSY	.....	9
0511059185	HYDRAULIC CYLINDER	.....	10
0511059156	50,80 X 101,60 X 680 X 399 HYDRAULIC CYLINDER	.....	11
0501040257	3/4" X 38" HOSE SUPPORT ASSY	.....	12
0501053834	MALE QUICK COUPLER	.....	13
0909097163	DISC GANG - 12/14/16/18/20/24D	.....	14
0531041671	DMO 330 X 2.1/8 BERIANG	.....	15
0531053200	DMO 330 X 2.1/8 IMP BEARING	.....	16

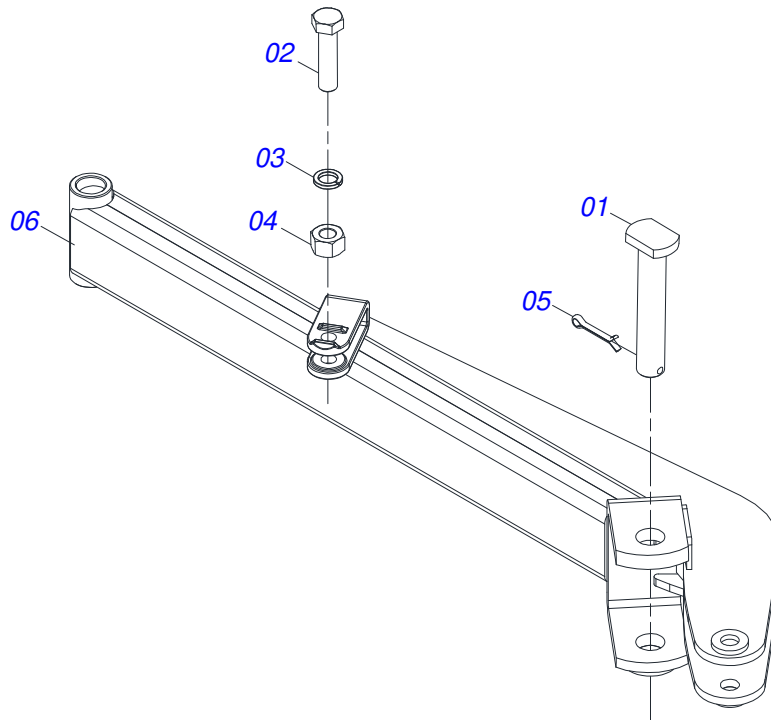


Item	Code	Description	See page	12	14	16	18	20	24
01	0531060356	FRONT FRAME - 12D		01	00	00	00	00	00
01.	0531060464	FRONT FRAME - 14D		00	01	00	00	00	00
01..	0531061275	FRONT FRAME - 16D		00	00	01	00	00	00
01...	0521069909	FRONT FRAME - 18D		00	00	00	01	00	00
01....	0521068671	FRONT FRAME - 20D		00	00	00	00	01	00
01.....	0531061811	FRONT FRAME - 24D		00	00	00	00	00	01
02	0501060315	OFFSET BAR - 12D		01	00	00	00	00	00
02.	0501063938	OFFSET BAR - 14D		00	01	00	00	00	00
02..	0501060435	OFFSET BAR - 16D		00	00	01	00	00	00
02...	0501060451	OFFSET BAR - 18/20D		00	00	00	01	01	00
02....	0501060452	OFFSET BAR - 24D		00	00	00	00	00	01
03	0501016416	1-1/2" X 5.4" BOLT		02	02	02	02	02	02
04	0501011301	1.1/2" UNC 6FPP 2.5/16" NUT		02	02	02	02	02	02
05	0503010010	SPLIT PIN 1/4" X 2.1/2"		02	02	02	02	02	02
06	0521010644	1.5" X 8.4" COUPLING SHAFT		02	02	02	02	02	02
07	0503010534	3/8" X 2.1/2" SPLIT PIN		02	02	02	02	02	02
08	0531060355	REAR FRAME - 12D		01	00	00	00	00	00
08.	0531060465	REAR FRAME - 14D		00	01	00	00	00	00
08..	0531061274	REAR FRAME - 16D		00	00	01	00	00	00
08...	0521069910	REAR FRAME - 18D		00	00	00	01	00	00
08....	0521068672	REAR FRAME - 20D		00	00	00	00	01	00
08.....	0531060831	REAR FRAME - 24D		00	00	00	00	00	01
09	0501062185	2.5" X 13.6" COUPLING SHAFT		01	01	01	01	01	01
10	0501010276	BOLT		01	01	01	01	01	01
11	0503010012	1" SPRING WASHER		01	01	01	01	01	01
12	0503014018	1" NUT		01	01	01	01	01	01
13	0501060428	FRONT STABILIZER BAR - 12/14/16D		01	01	01	00	00	00
13.	0501060448	FRONT STABILIZER BAR - 18/20/24/30D		00	00	00	01	01	01
14	0501041219	REAR STABILIZER BAR - 12/14/16D	2	01	01	01	00	00	00
14.	0501041229	REAR STABILIZER BAR - 18/20/24/30D	3	00	00	00	01	01	01
15	0501041215	DRAWBAR ASSY - 10/12/14D	4	01	01	00	00	00	00
15.	0501041372	DRAWBAR ASSY - 16/18/20/24D	5	00	00	01	01	01	01

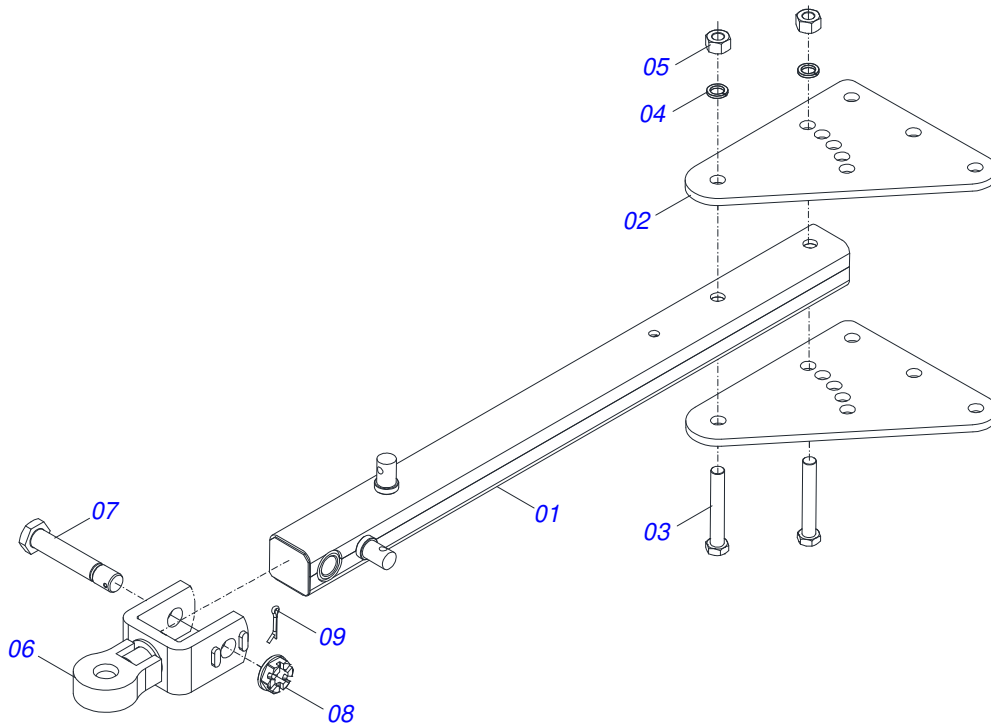
Item	Code	Description	See page	12	14	16	18	20	24
16	0501041859	ADJUSTMENT BAR ASSY - 10/12/14/16D	6	01	01	01	00	00	00
16.	0501041216	ADJUSTMENT BAR ASSY - 18/20/24/30D	7	00	00	00	01	01	01
17	0501060423	FRONT SCRAPER		06	07	08	09	10	12
18	0501060424	REAR SCRAPER		06	07	08	09	10	12
19	0501010299	SCRAPER LOCK		12	14	16	18	20	24
20	0503010233	5/8" X 2-1/2" BOLT		24	28	32	36	40	48
21	0501012140	FLAT WASHER 16,50 X 40 X 4,00 ZN		24	28	32	36	40	48
22	0503010027	5/8 SPRING WASHER		24	28	32	36	40	48
23	0503010013	5/8 UNC G.5 ZN HEX NUT		24	28	32	36	40	48
24	0503062157	DRAWBAR JACK	8	01	01	01	01	01	01
25	0521010549	COUPLING SHAFT		01	01	01	01	01	01
26	0501316941	KEY 2.1/8 AND 2.1/2		02	02	02	02	02	02
27	0511018451	5/8" X 3/4" X 1" UNIVERSAL		01	01	01	01	01	01
28	0501061045	1" WRENCH CYLINDRICAL		01	01	01	01	01	01
29	0503010002	1800 GREASE FITTING		05	05	05	05	05	05
30	0503030168	HITCH PIN CLIP		01	01	01	01	01	01
31	0501041199	ADJUSTMENT BODY ASSY	9	01	01	01	01	01	01
32	0511059185	HYDRAULIC CYLINDER	10	01	01	01	00	00	00
32.	0511059156	50,80 X 101,60 X 680 X 399 HYDRAULIC CYLINDER	11	00	00	00	01	01	01
33	0521010581	0.9" X 4.9" COUPLING SHAFT		02	02	02	02	02	02
34	0503010571	1/4" X 1.1/2" SPLIT PIN		02	02	02	02	02	02
35	0531053377	HOSE 1/2 X 4500 TR-TM PURPLE/RED		01	01	01	01	01	01
35A	0501080001	1/2" X 177" TR-TM HOSE		01	01	01	01	01	01
35B	0503034491	HYDRAULIC HOSE GRIP (PURPLE)		01	01	01	01	01	01
35C	0503034495	HYDRAULIC HOSE GRIP (RED)		01	01	01	01	01	01
35D	0503018952	PH 2,5 X 10 ZB PLASTIC BOLT		06	06	06	06	06	06
36	0531053376	HOSE 1/2 X 4500 TR-TM PURPLE/BLUE		01	01	01	01	01	01
36A	0501080001	1/2" X 177" TR-TM HOSE		01	01	01	01	01	01
36B	0503034491	HYDRAULIC HOSE GRIP (PURPLE)		01	01	01	01	01	01
36C	0503034494	HYDRAULIC HOSE GRIP (BLUE)		01	01	01	01	01	01
36D	0503018952	PH 2,5 X 10 ZB PLASTIC BOLT		06	06	06	06	06	06
37	0501040257	3/4" X 38" HOSE SUPPORT ASSY	12	01	01	01	01	01	01
38	0501053834	MALE QUICK COUPLER	13	02	02	02	02	02	02
39		DISC GANG - 12/14/16/18/20/24D	14						



Item	Code	Description	See page	QT
01	0521010644	1.5" X 8.4" COUPLING SHAFT		01
02	0503011432	BOLT		01
03	0503011438	SPRING WASHER		01
04	0501010059	1.5/8 NUT		01
05	0503010534	3/8" X 2.1/2" SPLIT PIN		01
06	0501060433	REAR STABILIZER BAR		01

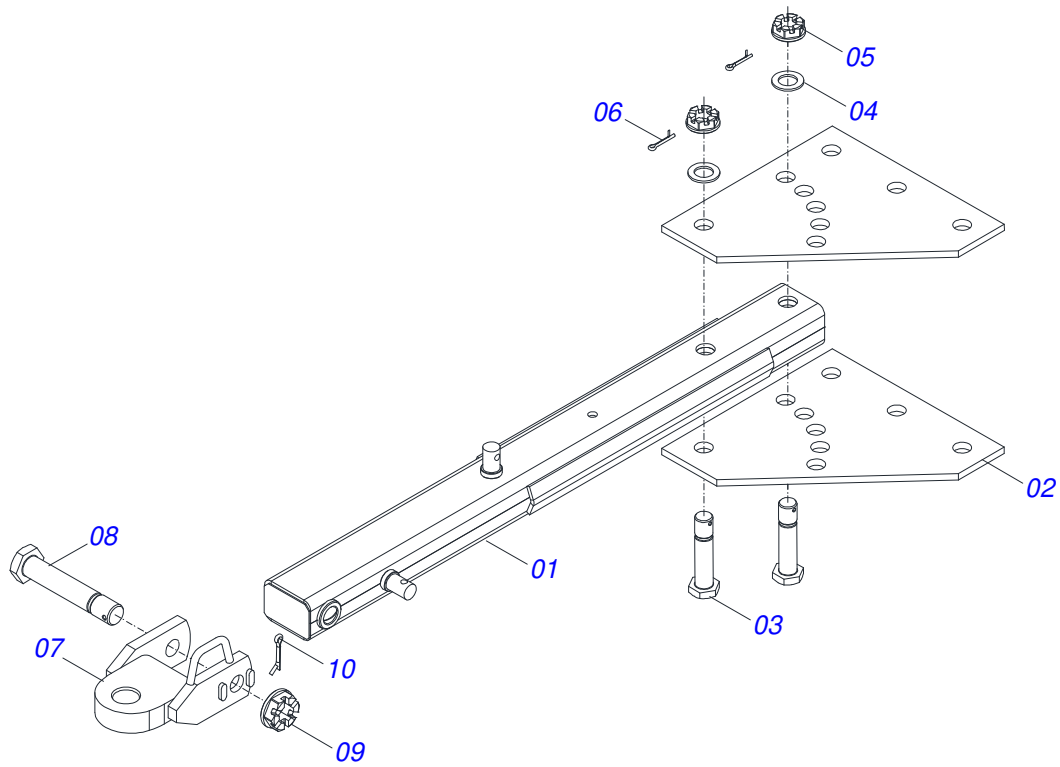


Item	Code	Description	See page	QT
01	0521010644	1.5" X 8.4" COUPLING SHAFT		01
02	0503011432	BOLT		01
03	0503010012	1" SPRING WASHER		01
04	0501010059	1.5/8 NUT		01
05	0503010534	3/8" X 2.1/2" SPLIT PIN		01
06	0501060450	REAR STABILIZER BAR ASSY		01

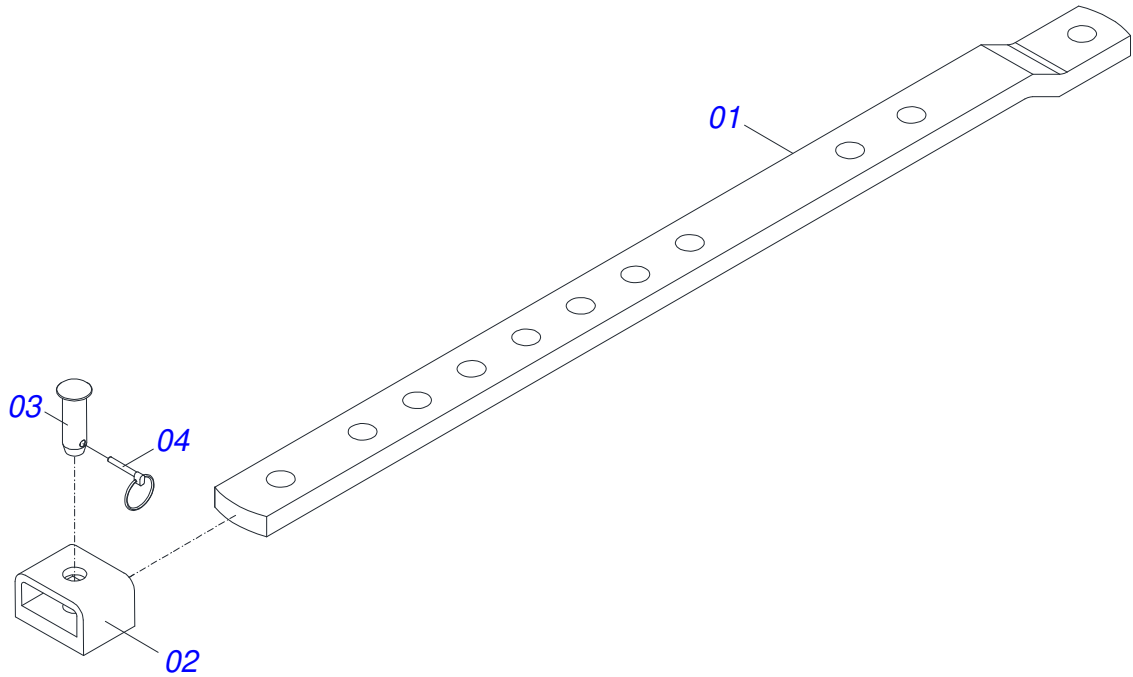


Item	Code	Description	See page	QT
01	0501066715	DRAWBAR		01
02	0511013000	UPPER /LOWER PLATE		02
03	0501010060	1" X 6-1/2" BOLT		05
04	0503011438	SPRING WASHER		05
05	0501010059	1.5/8 NUT		05
06	0501062869	TRACTOR HITCH		01
07	0501017291	1-1/2" X 8.1" BOLT		01
08	0501011301	1.1/2" UNC 6FPP 2.5/16" NUT		01
09	0503010010	SPLIT PIN 1/4" X 2.1/2"		01

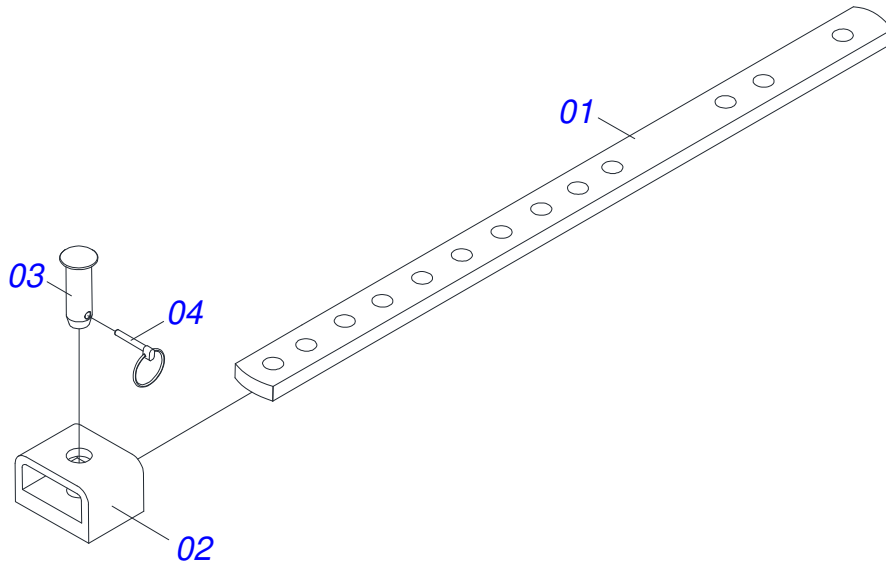




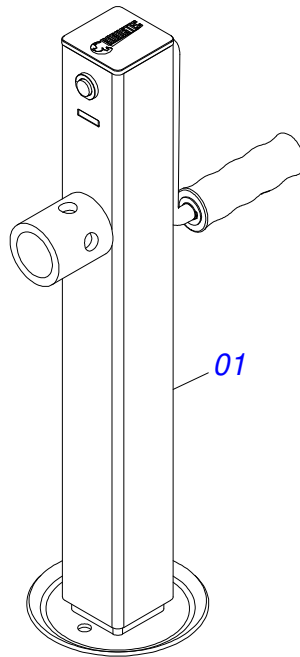
Item	Code	Description	See page	QT
01	0501060299	DRAWBAR ASSY		01
02	0501010272	UPPER/LOWER PLATE		02
03	0501010295	1-1/2" X 6.9" BOLT		05
04	0501012916	FLAT WASHER 40 X 66 X 4,75 ZN		05
05	0501011301	1.1/2" UNC 6FPP 2.5/16" NUT		05
06	0503010010	SPLIT PIN 1/4" X 2.1/2"		05
07	0501060317	TRACTOR HITCH		01
08	0501016415	1-1/2" X 9.6" BOLT		01
09	0501011301	1.1/2" UNC 6FPP 2.5/16" NUT		01
10	0503010010	SPLIT PIN 1/4" X 2.1/2"		01



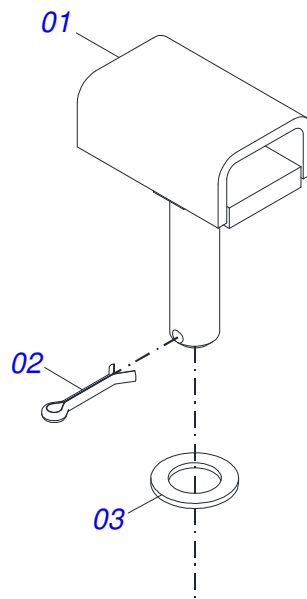
Item	Code	Description	See page	QT
01	0501013208	ADJUSTMENT BAR		01
02	0501060434	BEATER BOX		01
03	0521010572	0.9" X 2.9" COUPLING SHAFT		01
04	0503030085	LOCK PIN		01



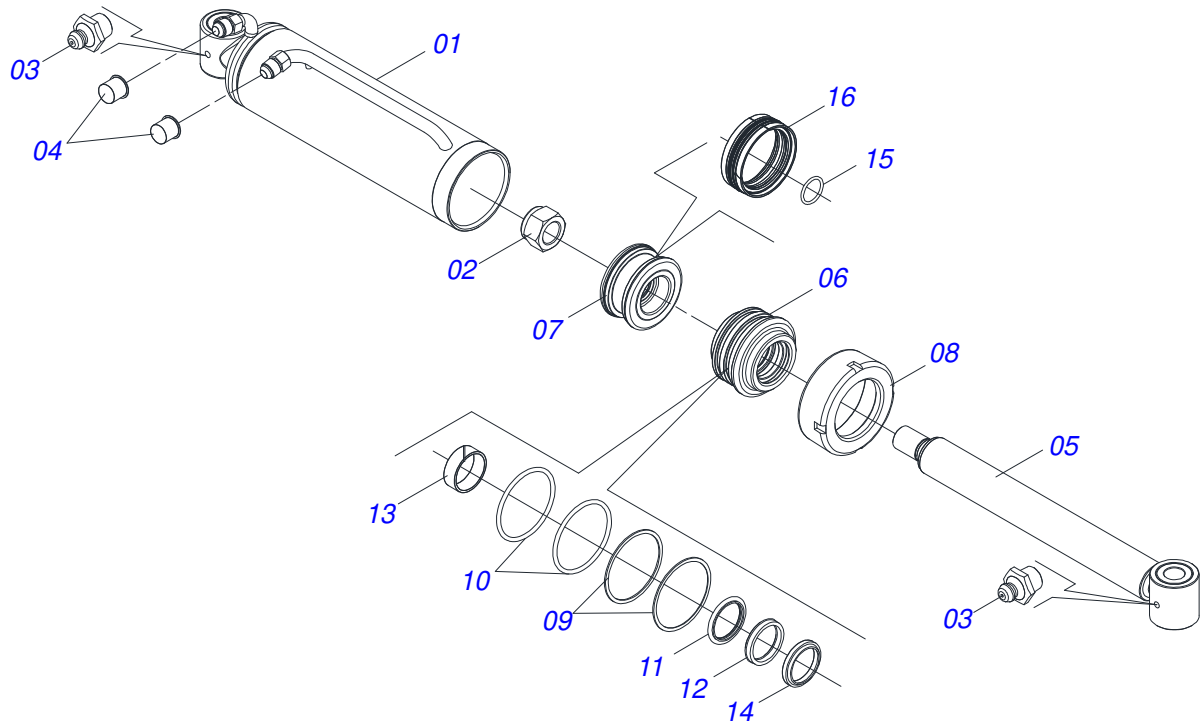
Item	Code	Description	See page	QT
01	0501013284	ADJUSTMENT BAR		01
02	0501060434	BEATER BOX		01
03	0521010573	0.9" X 3.1" COUPLING SHAFT		01
04	0503010571	1/4" X 1.1/2" SPLIT PIN		01



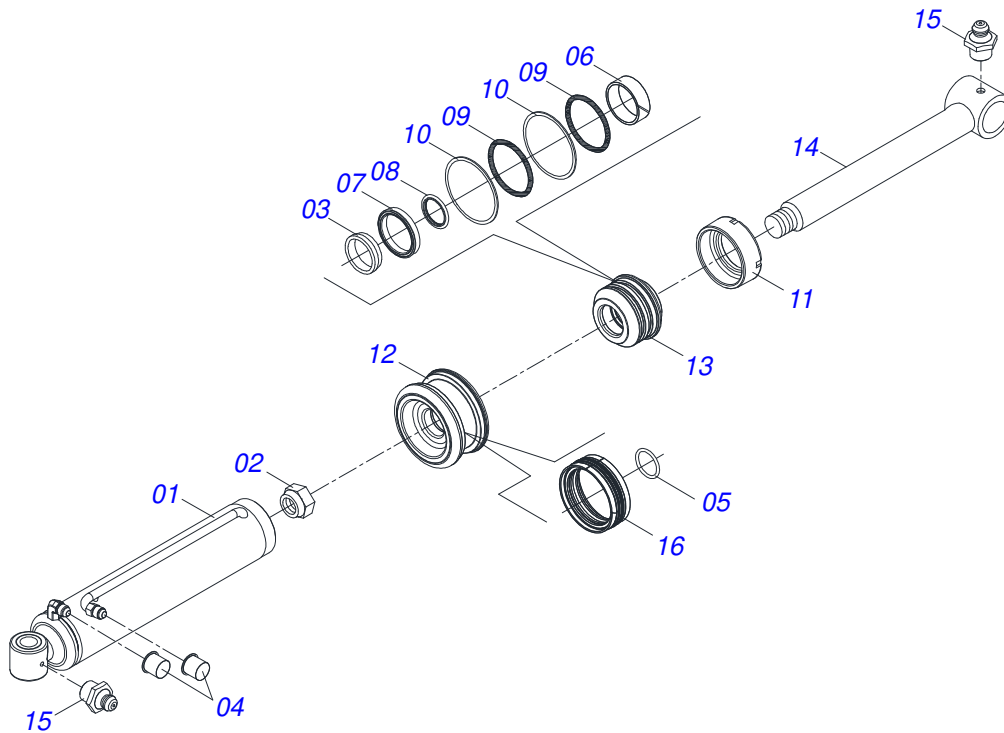
Item	Code	Description	See page	QT
01	0503062157	DRAWBAR JACK	8	01



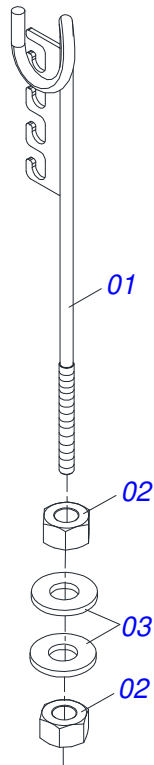
Item	Code	Description	See page	QT
01	0501063206	ADJUSTMENT BODY		01
02	0503010534	3/8" X 2.1/2" SPLIT PIN		01
03	0501012916	FLAT WASHER 40 X 66 X 4,75 ZN		01



Item	Code	Description	See page	QT
01	0501060462	4" X 10.3" CYLINDER CASE		01
02	0503010817	1.1/4" SELF LOCKING NUT		01
03	0503010002	1800 GREASE FITTING		02
04	0503030387	PLUG		02
05	0521066346	PISTON ROD		01
06	0502012821	2" X 4" RING SUPPORT		01
07	0502012820	2" X 4" PISTON		01
08	0502012822	END CAP 4"		01
09	0503011061	8-342 BACK-UP RING		02
10	0503010338	2-342 N 3006-9B O'RING		02
11	0503018024	RING BS OD050805200171D-BR		01
12	0503018026	GASKET 1870-2000-375 B POLYMAX		01
13	0503018025	RING GUIDE W2-2250-750		01
14	0503010039	D-2000 SCRAPER RING		01
15	0503018029	O'RING 2-217 N 3006 90B		01
16	0503015633	SELEMASTER SEALING		01

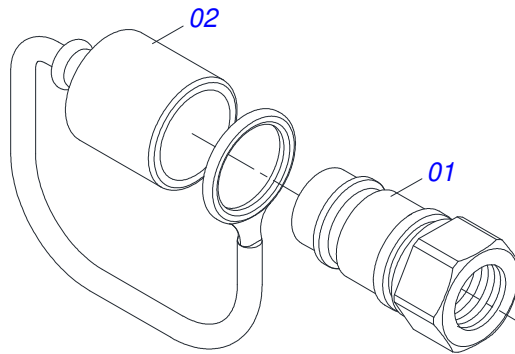


Item	Code	Description	See page	QT
01	0521066349	CYLINDER CASE		01
02	0503010817	1.1/4" SELF LOCKING NUT		01
03	0503010039	D-2000 SCRAPER RING		01
04	0503030387	PLUG		02
05	0503018029	O'RING 2-217 N 3006 90B		01
06	0503018025	RING GUIDE W2-2250-750		01
07	0503018026	GASKET 1870-2000-375 B POLYMAX		01
08	0503018024	RING BS OD050805200171D-BR		01
09	0503010338	2-342 N 3006-9B O'RING		02
10	0503011061	8-342 BACK-UP RING		02
11	0502012822	END CAP 4"		01
12	0502012820	2" X 4" PISTON		01
13	0502012821	2" X 4" RING SUPPORT		01
14	0511070665	PISTON ROD		01
15	0503010002	1800 GREASE FITTING		02
16	0503015633	SELEMASTER SEALING		01

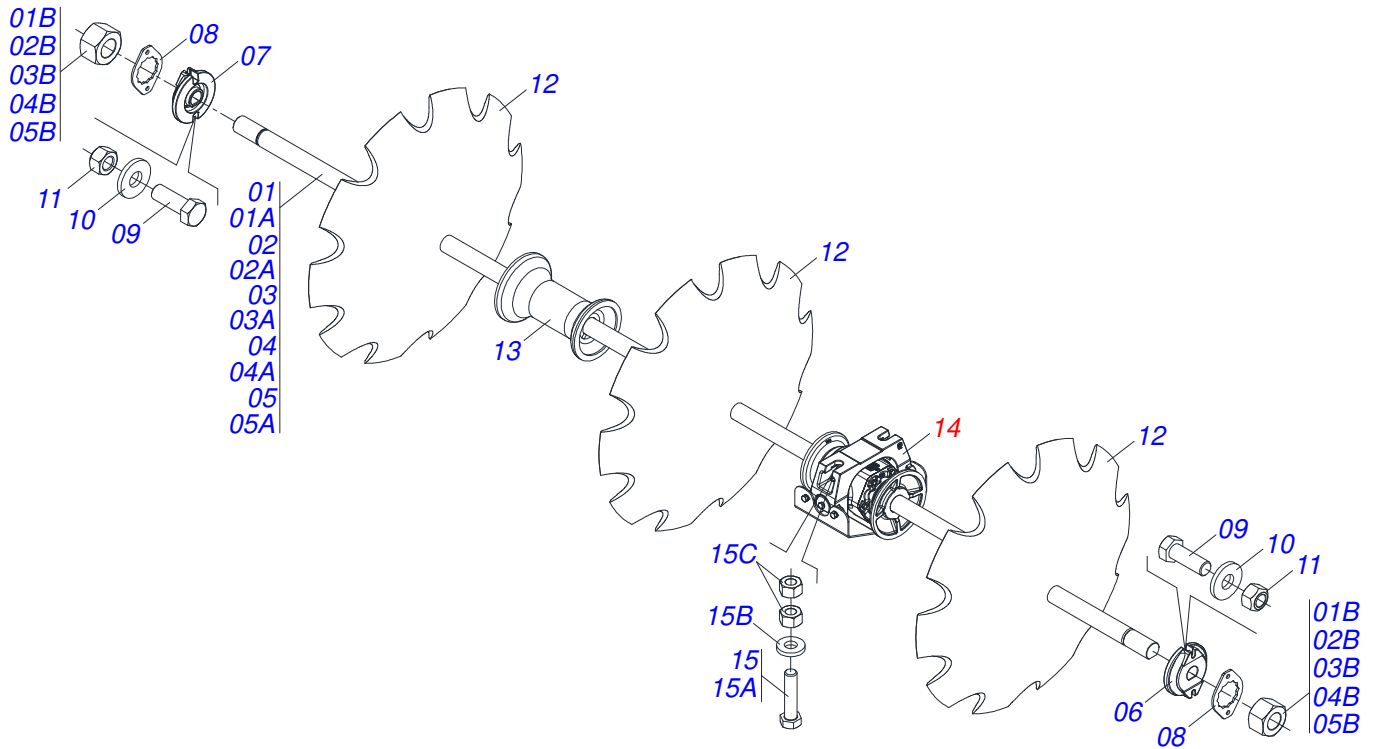


Item	Code	Description	See page	QT
01	0511067334	HOSE SUPPORT		01
02	0503010014	3/4" ZN G.5 (HEAVY) UNC HEX NUT		02
03	0501010322	20,50 X 46 X 4,00 ZN FLAT WASHER		02

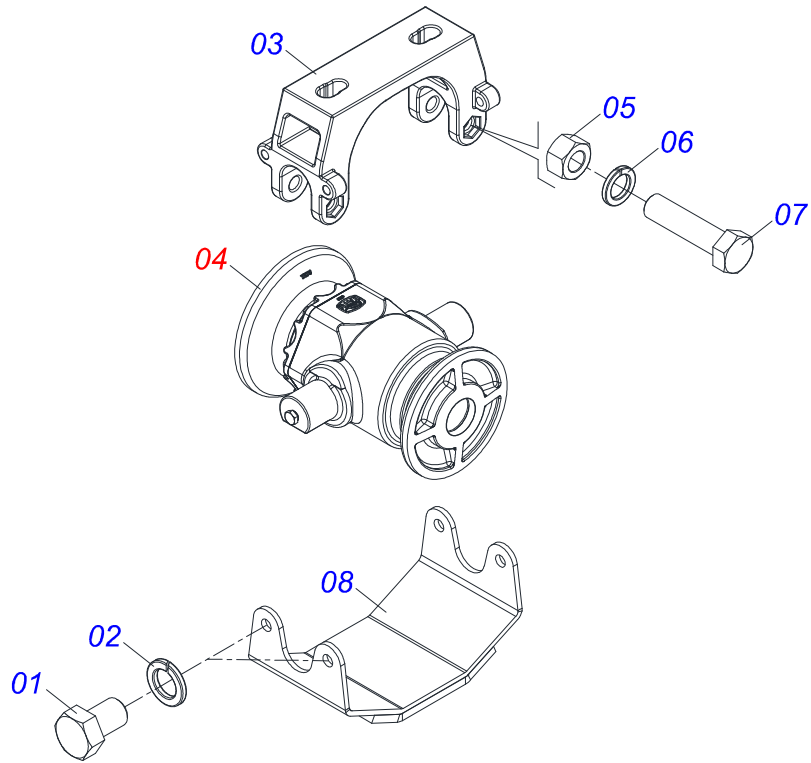




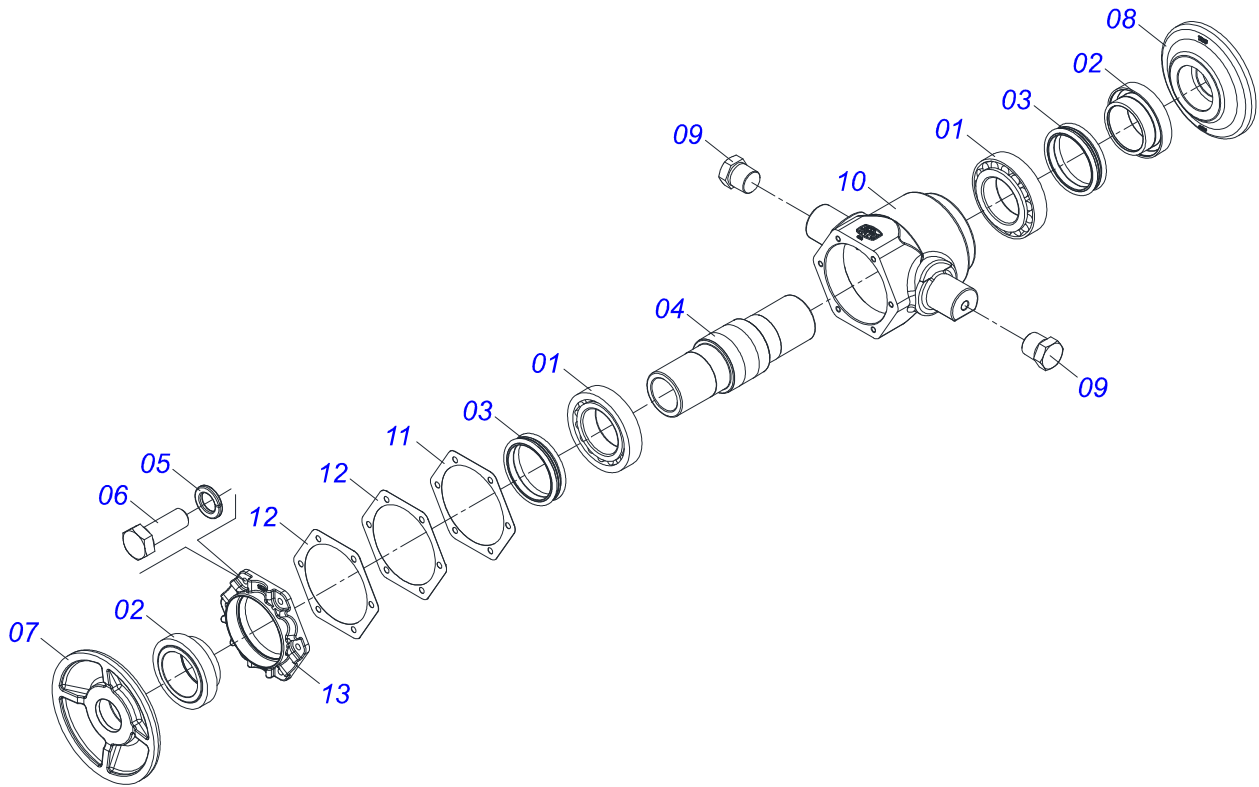
Item	Code	Description	See page	QT
01	0503011627	MALE QUICK COUPLER AGR 1/2 NPT		01
02	0503011882	MALE QUICK COUPLER CAP		01



Item	Code	Description	See page	12	14	16	18	20	24
01	0501041516	2-1/8" X 49" AXLE WITH NUTS		00	00	00	02	00	00
01A	0501013757	2-1/8" X 49" AXLE		00	00	00	01	00	00
01B	0502040063	2-1/8" X 54 99 NUT		00	00	00	02	00	00
02	0511047064	2-1/8" X 63" AXLE		00	00	00	02	04	00
02A	0551017147	2-1/8" X 63" AXLE		00	00	00	01	01	00
02B	0502040063	2-1/8" X 54 99 NUT		00	00	00	02	02	00
03	0511042123	2-1/8" X 76" AXLE WITH NUTS		02	00	00	00	00	04
03A	0501013759	2-1/8" X 76" AXLE		01	00	00	00	00	01
03B	0502040063	2-1/8" X 54 99 NUT		02	00	00	00	00	02
04	0501041514	2-1/8" X 8.9" AXLE WITH NUTS		00	02	00	00	00	00
04A	0501013760	2-1/8" X 8.9" AXLE		00	01	00	00	00	00
04B	0502040063	2-1/8" X 54 99 NUT		00	02	00	00	00	00
05	0501041515	2-1/8" X 102" AXLE WITH NUTS		00	00	02	00	00	00
05A	0501013761	2-1/8" X 102" AXLE		00	00	01	00	00	00
05B	0502040063	2-1/8" X 54 99 NUT		00	00	02	00	00	00
06	0502010594	2-1/8" EXTERNAL AXLE WASHER		02	02	02	04	04	04
07	0502010595	2-1/8" INNER AXLE WASHER		02	02	02	04	04	04
08	0541010368	NUT LOCK		04	04	04	08	08	08
09	0503010232	5/8" X 1.3/4" BOLT		08	08	08	16	16	16
10	0501012140	FLAT WASHER 16,50 X 40 X 4,00 ZN		08	08	08	16	16	16
11	0503012412	5/8" UNC SELF LOCKING NUT		08	08	08	16	16	16
12	0602040001	DR 30 X 7,50 C105AF04FR2.3/16 10R		12	14	16	18	20	24
12.	0602044001	DR 32 X 9,00 C115AF04FR2.3/16 10R		12	14	16	18	20	24
12..	0602044003	DR 32 X 12,00 C115AF04FR2.3/16 10R		12	14	16	18	20	24
12...	0602046013	DR 34 X 9,00 C120AF04FR2.3/16 12R		12	14	16	18	20	24
13	0502010643	13" 2-1/8" SPACER		06	08	08	06	08	12
14	0531041671	DMO 330 X 2.1/8 BERIANG	15	04	04	06	08	08	08
15	0531041581	1" X 4" BOLT ASSY		08	08	12	16	16	16
15A	0503011432	BOLT		01	01	01	01	01	01
15B	0541010210	FLAT WASHER		01	01	01	01	01	01
15C	0501010059	1.5/8 NUT		02	02	02	02	02	02



Item	Code	Description	See page	QT
01	0503010834	1/2 X 1 BOLT		04
02	0503010019	1/2" SPRING WASHER		04
03	0502013011	360 OSCILLATING BEARING SUPPORT (CENTRAL)		01
04	0531053200	DMO 330 X 2.1/8 IMP BEARING	16	01
05	0503010013	5/8 UNC G.5 ZN HEX NUT		02
06	0503010027	5/8 SPRING WASHER		02
07	0503010480	5/8" X 4.3/4" BOLT		02
08	0501210530	SWING BEARING COVER		01



Item	Code	Description	See page	QT
01	0503010117	32216 ROLLER BEARING		02
02	0502040123	MRO - 330 PORT RETAINER WITH BUSH		02
03	0503030028	JB-257 SEAL		02
04	0502040034	BEARING AXLE		01
05	0503011443	SPRING WASHER 3/8"		06
06	0503010751	C3/8" X 1.1/4" HEX BOLT G.5		06
07	0502040260	OUTER FLANGE		01
08	0502040261	INNER FLANGE		01
09	0503010856	OIL PLUG R 3/8 BSPT		02
10	0502013012	2.1/8" BEARING HUB		01
11	0503034044	JOINT		01
12	0503034045	JOINT		02
13	0502012772	BEARING COVER		01





***civemasa***

**Technical Publications | Elaboration and Revision**  
LEONARDO JOSÉ DA SILVA SOUZA

[www.civemasa.com.br](http://www.civemasa.com.br)

