

DISK HARROWS

SIC EHD 6010 - 27/31D - AXLE 2.1/8"
SIC EHD 6010 - 27/31D - EIXO 2.1/8"

Code: 0501093707
Series: S-0923
Revision: 00
Revision Date: DECEMBER/2023

PARTS
CATALOGUE


CIVEMASA

PRODUCTS

Code	Working Width	Description
0121140122		SIC EHD 6010 27X28X7,50 DR DMO E 2.1/8 C/PROT S-0923
0121140123		SIC EHD 6010 31X28X7,50 DR DMO E 2.1/8 PN11L15 S-0923

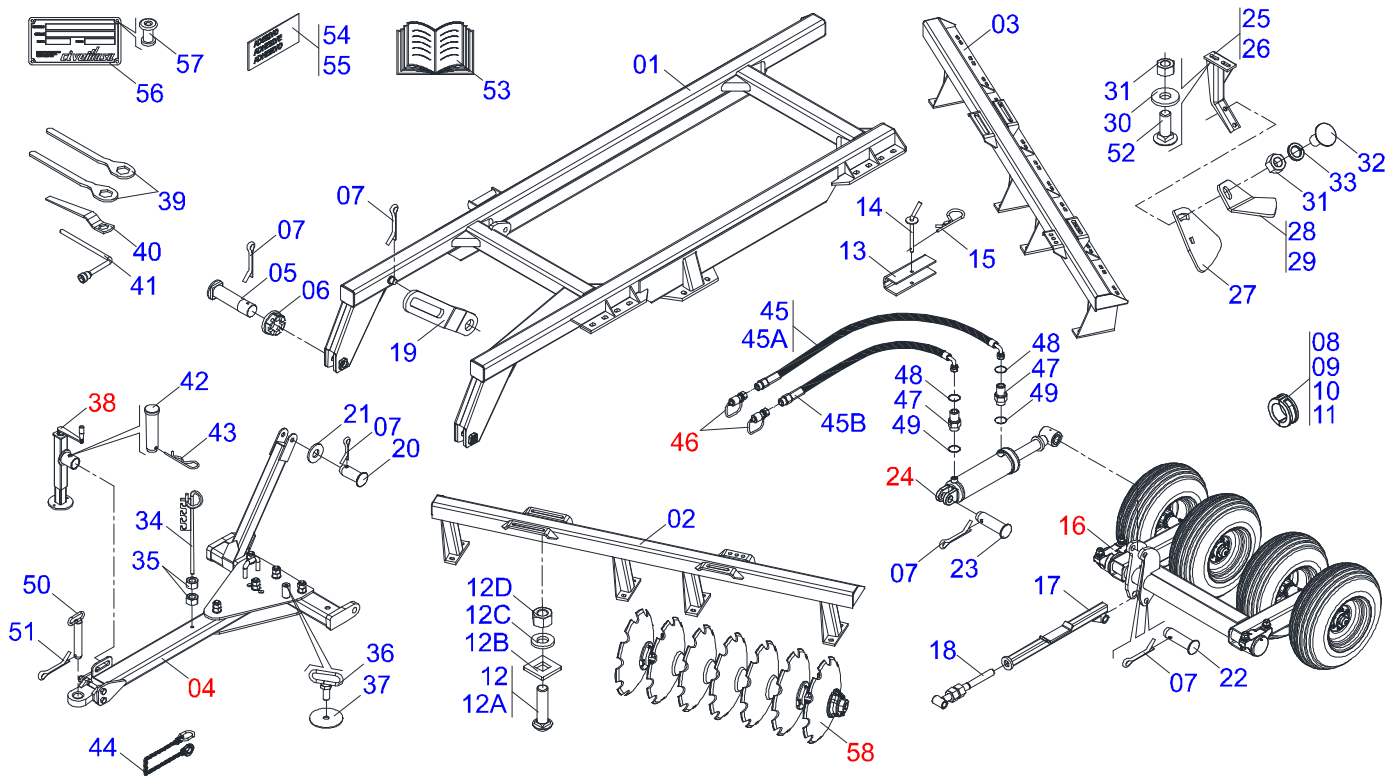
ATTENTION: IMPORTANT

CIVEMASA reserves the right to improve and/or modify the technical features of its products, without obligation to do the same with those products already sold and without prior knowledge of the dealer or the customer. The photos are only illustrative.



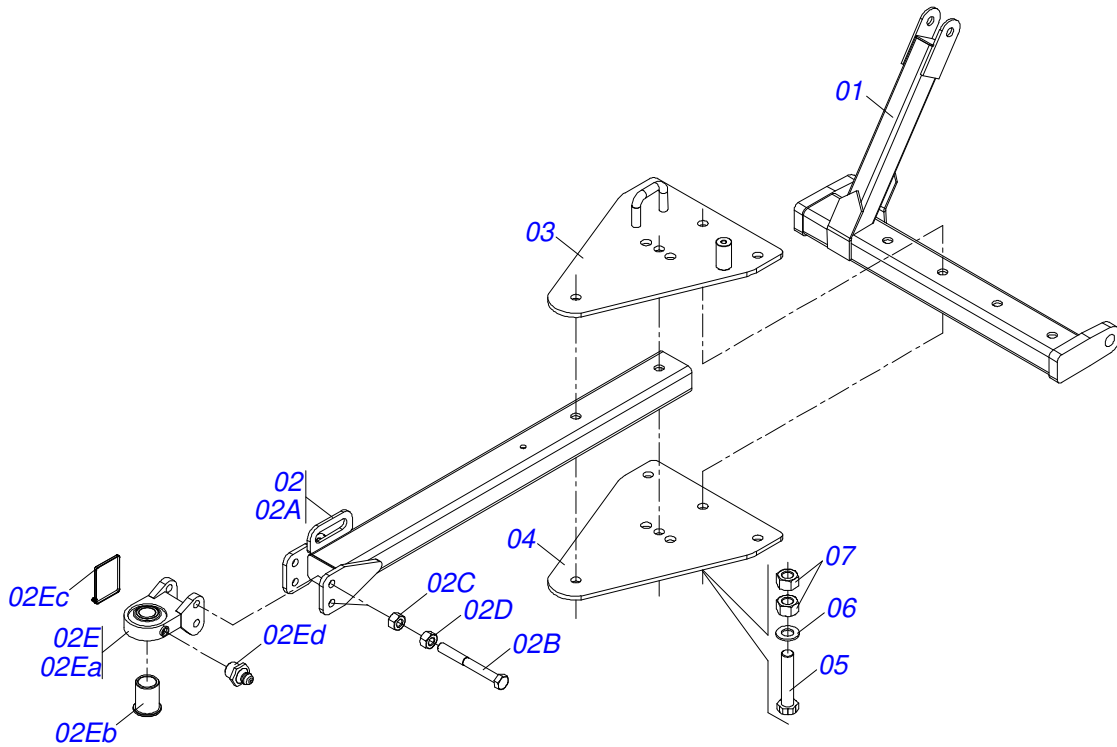
INDEX

0909096994	FRAME ASSY	1
0909093154	DRAWBAR ASSY	2
0909094320	ASSY WHEEL SYSTEM	3
0501054931	STUB SHAFT & HUB	4
0501051142	CARRYING WHEEL HUB	5
0503060181	WHEEL AND TIRE	6
0511050166	50,80 X 101,60 X 561 X 251 HYDRAULIC CYLINDER	7
0511048088	DRAWBAR JACK	8
0501053834	MALE QUICK COUPLER	9
0909096995	ASSY DISC GANG SECTION	10
0521049050	OSCILLATING BEARING	11
0521055278	OSCILLATING BEARING	12

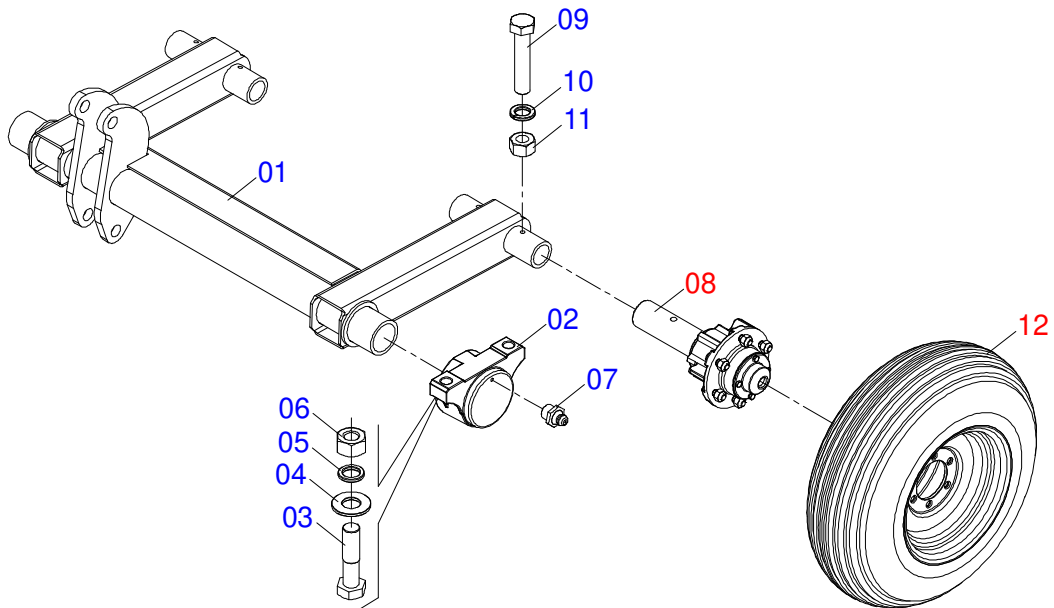


Item	Code	Description	See page	27	31
01	0521066873	FRAME		01	01
02	0521069815	27D - FRONT FRAME		01	00
02.	0521063557	31D - FRONT FRAME		00	01
03	0521069816	27D - REAR FRAME		01	00
03.	0521066874	31D - REAR FRAME		00	01
04		DRAWBAR ASSY	2		
05	0551017179	COUPLING SHAFT		02	02
06	0501011301	1.1/2" UNC 6FPP 2.5/16" NUT		02	02
07	0503010010	SPLIT PIN 1/4" X 2.1/2"		07	07
08	0501047895	25 ROD STOP		01	01
09	0501047896	1.18" ROD STOP		01	01
10	0501047897	1.38" ROD STOP		01	01
11	0501047898	1.57" ROD STOP		01	01
12	0511046510	1" X 3-1/4" BOLT		08	08
12A	0501014309	C1" X 3-1/4" BOLT		01	01
12B	0501010951	1" SQUARE WASHER		01	01
12C	0531018050	FLAT WASHER		01	01
12D	0501010059	1.5/8 NUT		01	01
13	0551010280	253 TRANSPORT LOCK		01	01
14	0501068994	8,30 X 78 LOCK PIN		01	01
15	0503030168	HITCH PIN CLIP		02	01
16		ASSY WHEEL SYSTEM	3		
17	0511069115	STABILIZER		01	01
18	0511069095	REGULATOR SPINDLE		01	01
19	0551018452	STABILIZER LOCK PLATE		02	02
20	0521012536	COUPLING SHAFT		01	01
21	0501017779	FLAT WASHER 32 X 60 X 4,75		04	04
22	0521010547	1.2" X 6.5" COUPLING SHAFT		02	02
23	0521010779	31.75 X 95 COUPLING SHAFT		01	01
24	0511050166	50,80 X 101,60 X 561 X 251 HYDRAULIC CYLINDER	7	01	01

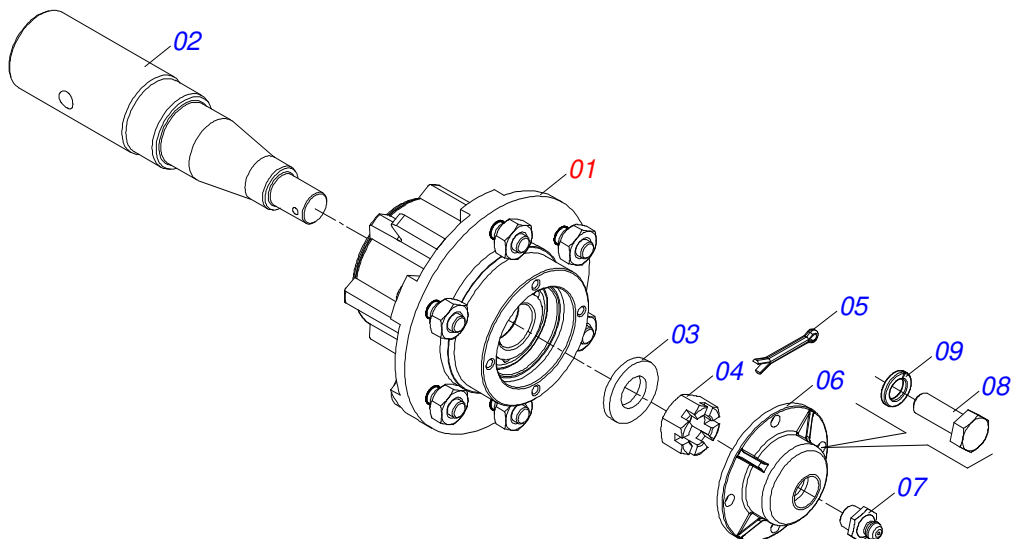
Item	Code	Description	See page	27	31
25	0511069506	FRONT SCRAPER SUPPORT		12	00
25.	0511065926	FRONT SCRAPER SUPPORT		00	10
26	0511069507	REAR SCRAPER SUPPORT		13	00
26.	0511065925	REAR SCRAPER SUPPORT		00	11
27	0541013461	FRONT SCRAPER SHOVEL		12	00
27.	0541013463	REAR SCRAPER SHOVEL		13	00
27..	0561014263	CLEANER SHOVEL		00	21
28	0581019638	REAR SCRAPER		00	04
29	0581019634	FRONT SCRAPER		00	04
30	0501012140	FLAT WASHER 16,50 X 40 X 4,00 ZN		34	42
31	0503010013	5/8" UNC G.5 ZN HEX NUT		34	42
32	0503012195	5/8" NUT		34	42
33	0503010027	5/8 SPRING WASHER		34	42
34	0511067334	HOSE SUPPORT		01	01
35	0503010014	3/4" ZN G.5 (HEAVY) UNC HEX NUT		02	02
36	0501069343	WRENCH FIXER		01	01
37	0521011722	FLAT WASHER		01	01
38	0511048088	DRAWBAR JACK	8	01	01
39	0501316941	KEY 2.1/8 AND 2.1/2		02	02
40	0501011432	1-1/2" AND 1-5/8 GANG BOLT WRENCH		01	01
41	0501061045	1" WRENCH CYLINDRICAL		01	01
42	0561014251	COUPLING SHAFT		01	01
43	0503030012	HITCH PIN CLIP		01	01
44	0503013150	1300 X 3/8" CHAIN		01	01
45	0501058088	HOSE KIT		01	01
45A	0501081379	1/2" X 5500 TC-TM OFS HOSE		01	01
45B	0501081380	1/2" X 5800 TC-TM OFS HOSE		01	01
46	0501053834	MALE QUICK COUPLER	9	02	02
47	0503030923	3/4" UNF X 13/16UN OFS X 40 NIPPLE		02	02
48	0503011030	2-014 N 3006-9B O'RING		02	02
49	0503010190	2-114 N 3006-9B O'RING		02	02
50	0501069080	COUPLING SHAFT		01	01
51	0503010534	3/8" X 2.1/2" SPLIT PIN		01	01
52	0503013842	5/8" UNC X 1-3/4" BOLT		34	42
53	0511032618	SIC OPERATOR'S MANUAL WITH PLASTIC COVER		01	01
54	0503031428	READ MANUAL DECAL		01	01
54.	0503031827	LUBRICATE AND RETIGHTEN DAILY DECAL		01	01
54..	0503034499	HOSE IDENTIFICATION DECAL		01	01
54...	0503034078	LIFTING POINTS DECAL		03	03
54....	0503033038	DANGER DECAL		01	01
55	0503031738	WARNING DECAL		01	01
55.	0503031739	DANGER DECAL		01	01
55..	0503034360	SIC EHD 6010 DECAL		02	02
55...	0503034355	EMBLEM		02	02
55....	0503033647	APPROVED DECAL		01	01
56	0503034004	ALUMINUM IDENTIFICATION DECAL		01	01
57	0503010001	RIVET 3,2 X 5,5		04	04
58		ASSY DISC GANG SECTION	10		



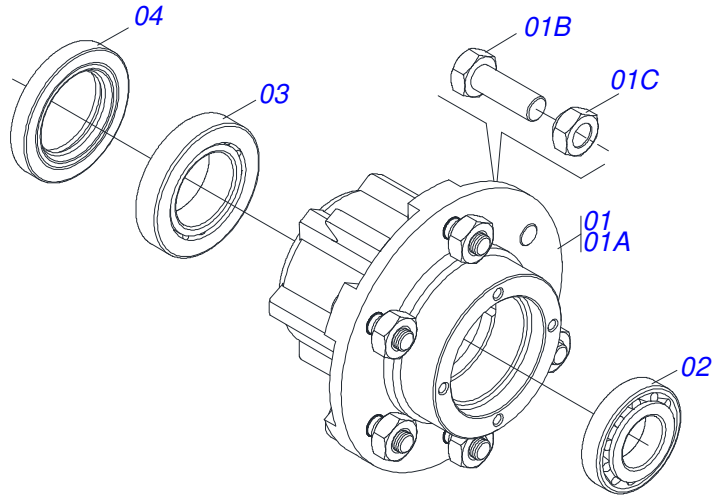
Item	Code	Description	See page	QT
01	0511069060	OFFSET BAR		01
02	0511046310	DRAWBAR ASSY		01
02A	0511069096	DRAWBAR ASSY		01
02B	0501010064	BOLT 1" UNC X 9 CS G.5 ZN		02
02C	0503013635	1" NUT		02
02D	0501010059	1.5/8 NUT		02
02E	0511059885	TRACTOR HITCH ASSY		01
02Ea	0521067339	TRACTOR HITCH ASSY		01
02Eb	0581012984	41 X 52.97 SLEEVE		01
02Ec	0503016033	4.8 X 1.3 X 300 MM NYLON CLAMP		01
02Ed	0503010002	1800 GREASE FITTING		01
03	0511069477	FIXER SUPPORT PLATE		01
04	0551017105	FIXER PLATE DRAW BAR		01
05	0503014765	1.1/4" UNC BOLT		05
06	0521013076	FLAT WASHER		05
07	0501010087	1.1/4" NUT		10



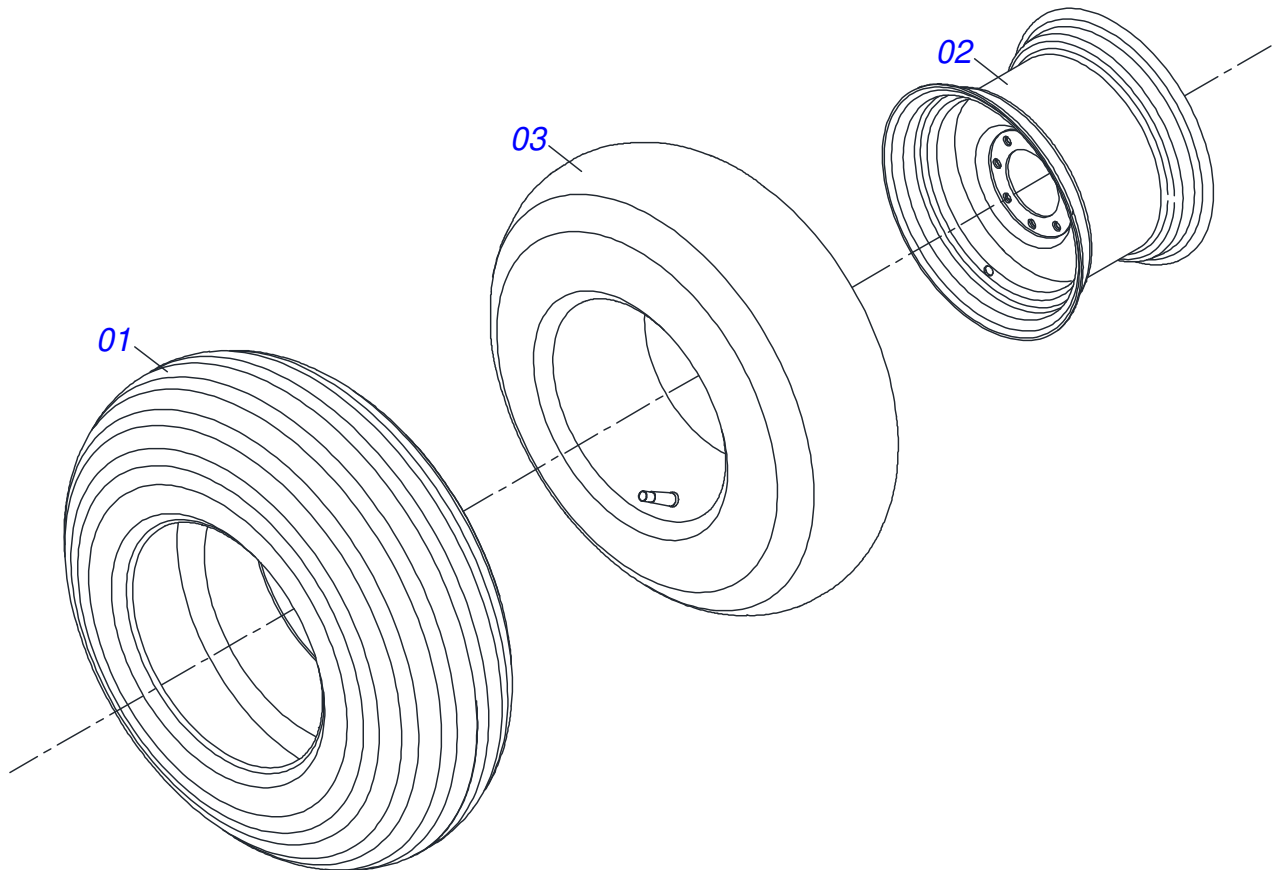
Item	Code	Description	See page	QT
01	0511069098	CARRYING-WHEELS		01
02	0501110566	WHEEL PIVOT BEARING		02
03	0503011432	BOLT		04
04	0531018050	FLAT WASHER		04
05	0503011438	SPRING WASHER		04
06	0501810059	1" NUT		04
07	0503010002	1800 GREASE FITTING		02
08	0501054931	STUB SHAFT & HUB	4	04
09	0503810706	SCREW 1/2 UNC X 4.1/2 C S G.5 SA		04
10	0503011440	SPRING WASHER		04
11	0503810060	1/2 NC S SA NUT		04
12	0503060181	WHEEL AND TIRE	6	04



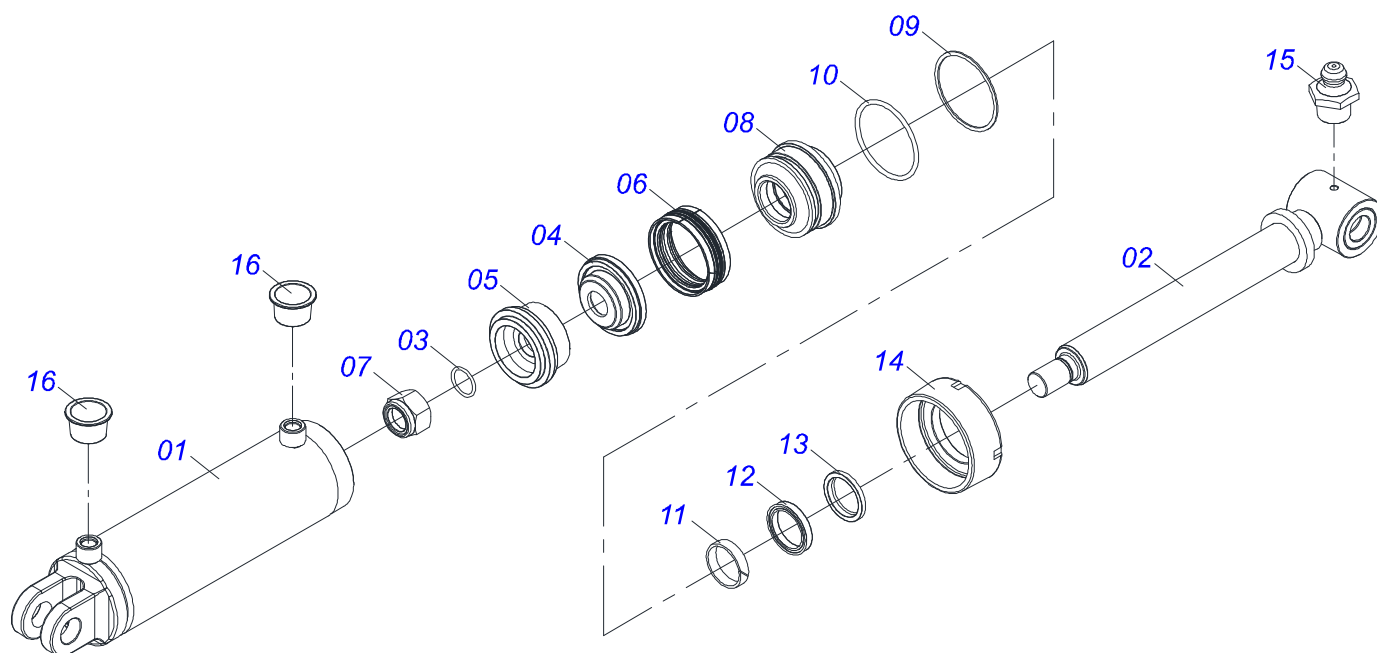
Item	Code	Description	See page	QT
01	0501051142	CARRYING WHEEL HUB	5	01
02	0541010739	2.5" X 12.2" AXLE		01
03	0501016545	FLAT WASHER		01
04	0503030009	1" CASTLE NUT		01
05	0503010018	5/32" X 1-1/2" SPLIT PIN		01
06	0502020591	PROTECCION COVER		01
07	0503010002	1800 GREASE FITTING		01
08	0503010358	5/16" X 5/8" BOLT		04
09	0503011444	SPRING WASHER 5/16"		04



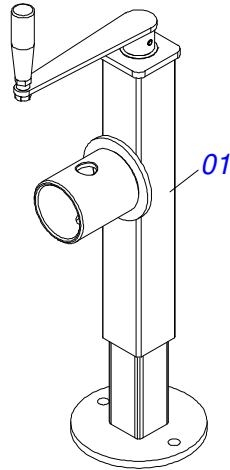
Item	Code	Description	See page	QT
01	0501110728	WHEEL HUB		01
01A	0502011121	CARRYING WHEEL HUB		01
01B	0501010127	9/16" X 1-7/8" LUG BOLT		06
01C	0503010035	9/16" CONIC NUT		06
02	0503010037	30207 ROLLER BEARING		01
03	0503010006	32210 ROLLER BEARING		01
04	0503012928	SEAL		01



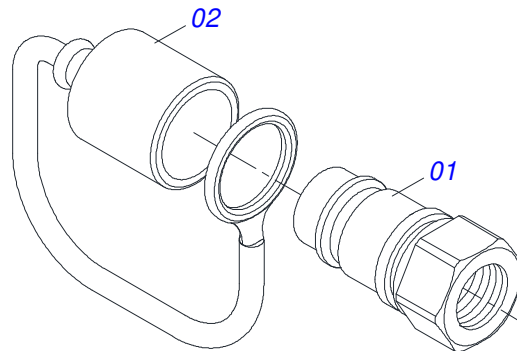
Item	Code	Description	See page	QT
01	0503010858	CANVAS TIRE		01
02	0503011468	WEEL		01
03	0503010860	AIR CHAMBER 11L 15		01



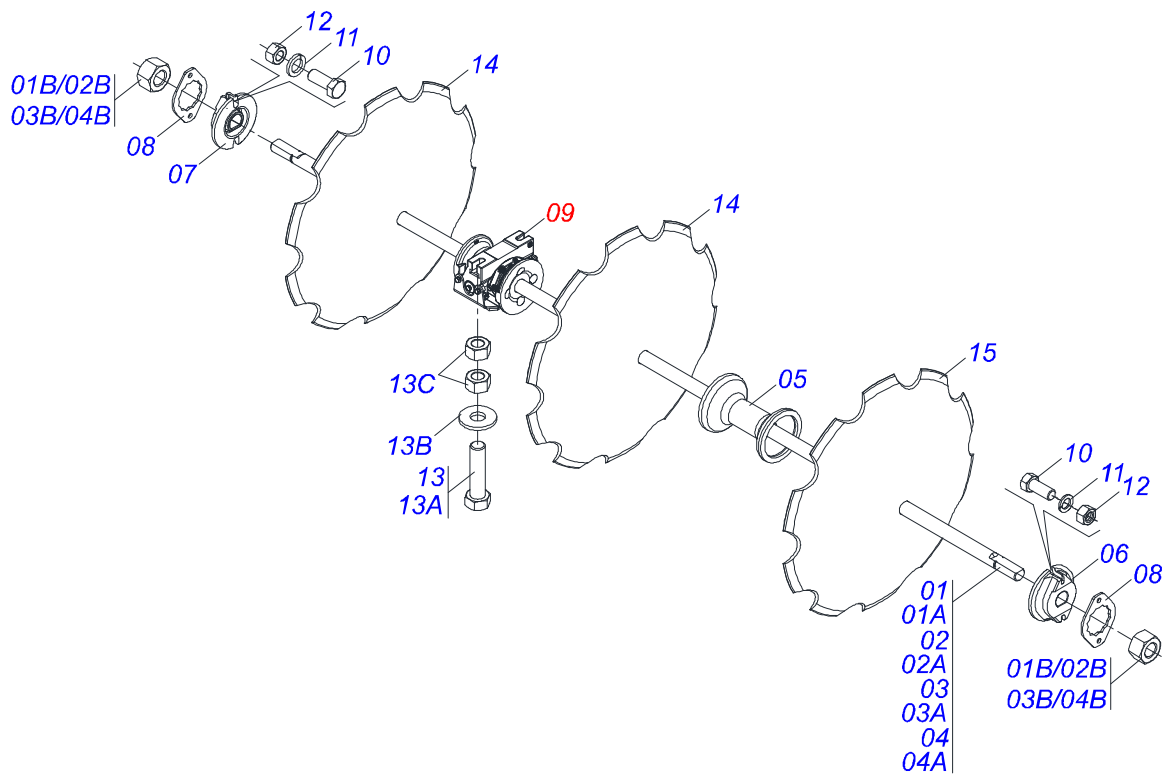
Item	Code	Description	See page	QT
01	0511066220	101,60 X 369 CYLINDER CASE		01
02	0511067445	50,8 X 452,5 TURNBUCLE		01
03	0503010345	2-218 N 3006-9B O'RING		01
04	0561016389	PISTON BODY		01
05	0561016387	PISTON BODY		01
06	0503015633	SELEMASTER SEALING		01
07	0503010817	SELF LOCKING NUT 1.1/4 UNF ALTA G.5 ZN		01
08	0502012642	SUPPORT OF THE RINGS		01
09	0503011061	8-342 BACK-UP RING		01
10	0503010338	2-342 N 3006-9B O'RING		01
11	0503015634	RING SLYDRING		01
12	0503015635	U-CUP SEAL		01
13	0503015636	SCRAPER SEAL		01
14	0502010017	4" LID		01
15	0503010002	1800 GREASE FITTING		01
16	0503030384	CON PLUG N-001		02
17	0501039361R	REPAIR KIT		01



Item	Code	Description	See page	QT
01	0503062227	DRAWBAR JACK		01

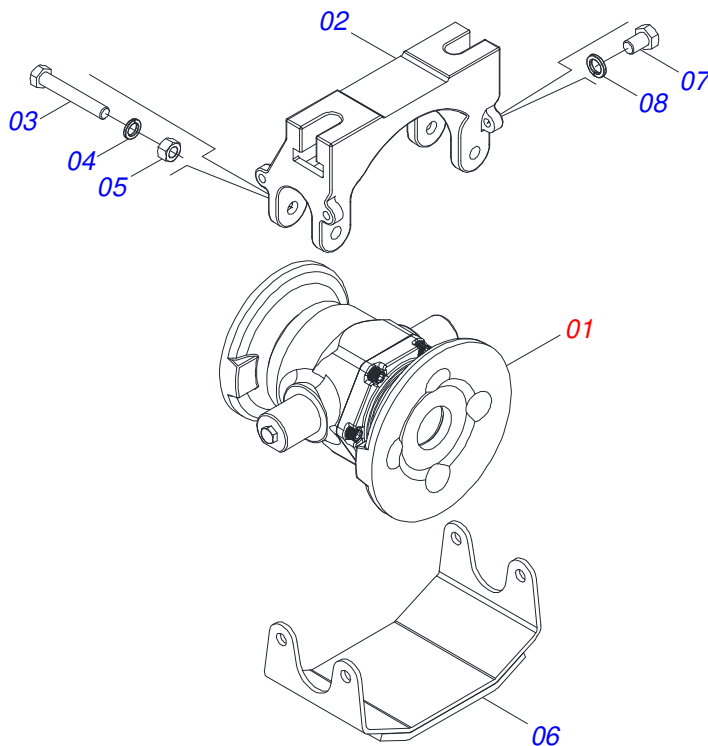


Item	Code	Description	See page	QT
01	0503011627	MALE QUICK COUPLER AGR 1/2 NPT		01
02	0503011882	MALE QUICK COUPLER CAP		01

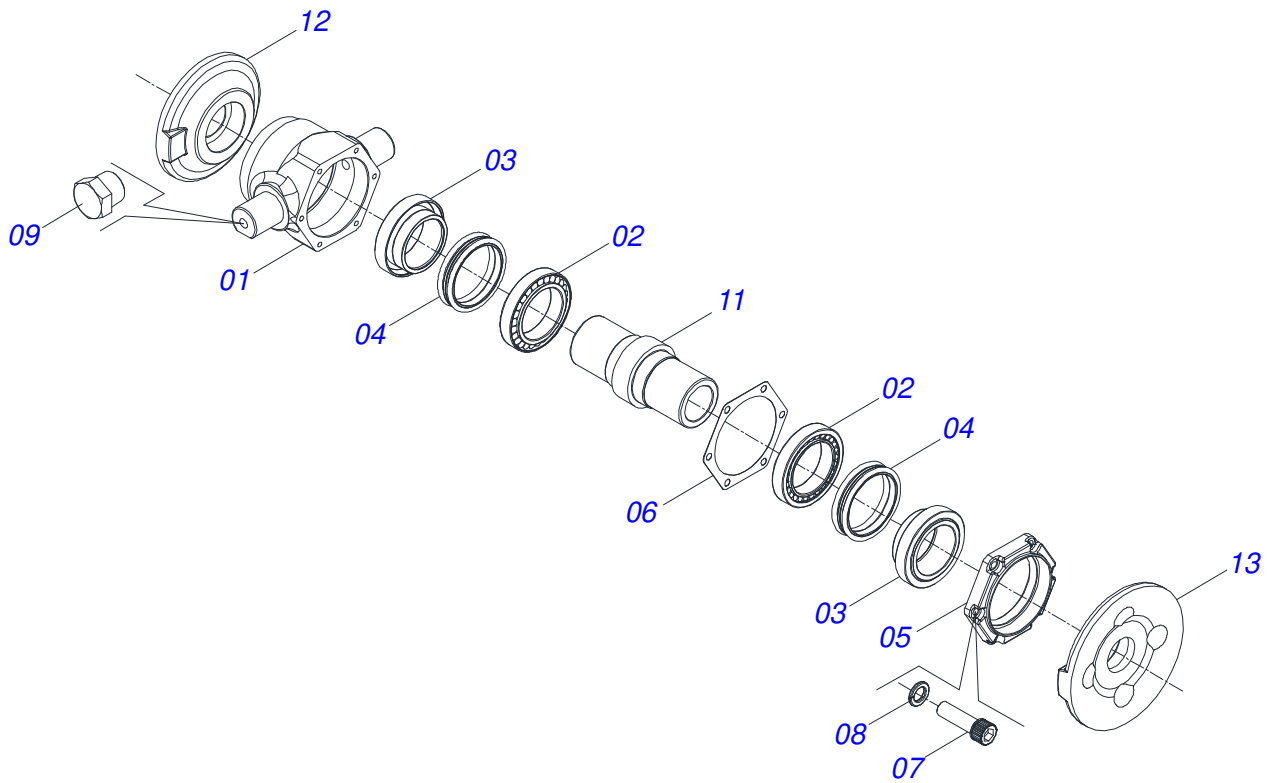


Item	Code	Description	See page	27	31
01	0501043062	2.1/8" X 1850 AXLE WITH NUTS		01	02
01A	0501019046	2.1/8" X 1850 AXLE		01	01
01B	0502040063	2-1/8" X 54 99 NUT		02	02
02	0511047065	2.1/8" X 2390 AXLE WITH NUTS		00	01
02A	0551017146	2.1/8" X 2390 AXLE		00	01
02B	0502040063	2-1/8" X 54 99 NUT		00	02
03	0511047064	2-1/8" X 1580 AXLE		02	00
03A	0551017147	2-1/8" X 1580 AXLE		01	00
03B	0502040063	2-1/8" X 54 99 NUT		02	00
04	0511047066	2-1/8" X 2120 AXLE WITH NUTS		01	01
04A	0551017148	2-1/8" X 2120 AXLE		01	01
04B	0502040063	2-1/8" X 54 99 NUT		02	02
05	0502012480	263 SPACER		15	19
06	0502010594	2-1/8" EXTERNAL AXLE WASHER		04	04
07	0502010595	2-1/8" INNER AXLE WASHER		04	04
08	0541010368	NUT LOCK		08	08
09	0521049050	OSCILLATING BEARING	11	08	08
10	0503010232	5/8" X 1.3/4" BOLT		16	16
11	0503010027	5/8 SPRING WASHER		16	16
12	0503010013	5/8" UNC G.5 ZN HEX NUT		16	16
13	0521047558	ASSY SCREW 7/8 X 4 OSCILLATING BEARING		16	16
13A	0503013310	7/8 UNC X 4 C S G.5 ZN BOLT		01	01
13B	0561013107	FLAT WASHER		01	01
13C	0503010417	7/8" NUT		02	02
14	0602037250	28" X 7,5 NOTCHED DISC BLADE		26	30
15	0602030253	24" X 7,5 NOTCHED DISC BLADE		01	01

OSCILLATING BEARING



Item	Code	Description	See page	QT
001	0521055278	OSCILLATING BEARING	12	01
002	0502012860	BEARING SUPPORT		01
003	0501011543	5/8" X 4" BOLT		02
004	0503010027	5/8 SPRING WASHER		02
005	0503010013	5/8" UNC G.5 ZN HEX NUT		02
006	0521067635	COVER PROTECTION		01
007	0503011401	1/2" X 3/4" BOLT		04
008	0503010019	1/2" SPRING WASHER		04



Item	Code	Description	See page	QT
01	0502012859	BEARING BOX		01
02	0503013966	ROLLER BEARING		02
03	0502040198	SEAL RETAINER		02
04	0503030028	JB-257 SEAL		02
05	0502012481	BOX COVER		01
06	0503032999	JOINT		01
07	0503010175	3/8" X 1-1/4" BOLT		06
08	0503011443	SPRING WASHER 3/8"		06
09	0503010856	OIL PLUG R 3/8 BSPT		02
10	3402301275	TATU OIL		0,3 Lts
11	0502040197	MRO 266,7 X 10.1/2 AXLE		01
12	0502040196	INNER FLANGE		01
13	0502040195	OUTER FLANGE		01



civemasa

Technical Publications | Elaboration and Revision

ALESSANDRA PATRICIA KAWAHARA CARRILI

www.civemasa.com.br

