

APPLICATORS INSECTICIDE LOCATED

ASPER 03/04/05 ROWS – MH – 1200L – KIT
ASPER 03/04/05 LINHAS – MH – 1200L – KIT

Code: 0501093675
Series: S-1019
Revision: 00
Revision Date: SEPTEMBER/2023

PARTS CATALOGUE

CIVEMASA




PRODUCTS

Code	Working Width	Description
0121750010		ASPER 3L MH 1200L AR S-1019
0121750014		ASPER 3L MH 1200L KIT 70/30 AR S-1019
0121750007		ASPER 4L MH 1200L KIT 70/30 AR S-1019
0121750006		ASPER 5L MH 1200L KIT 70/30 AR S-1019

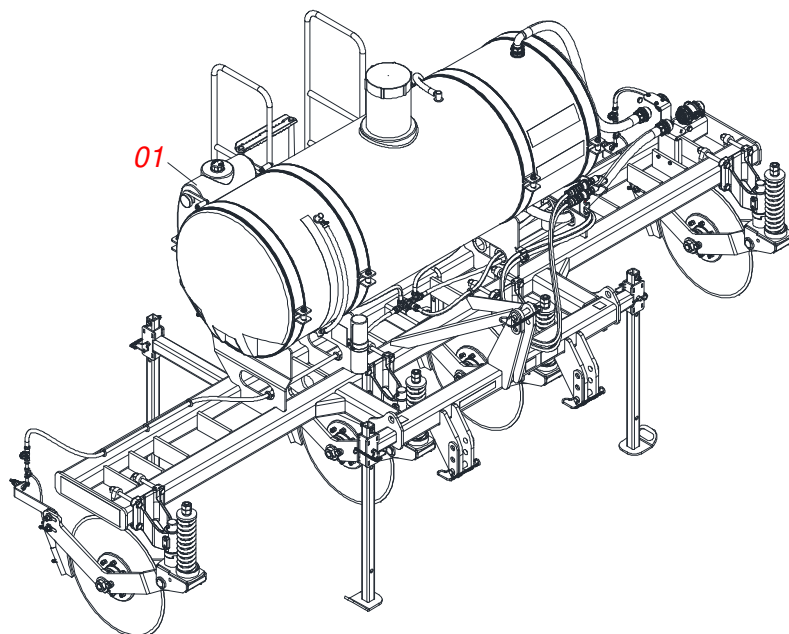
ATTENTION: IMPORTANT

CIVEMASA reserves the right to improve and/or modify the technical features of its products, without obligation to do the same with those products already sold and without prior knowledge of the dealer or the customer. The photos are only illustrative.

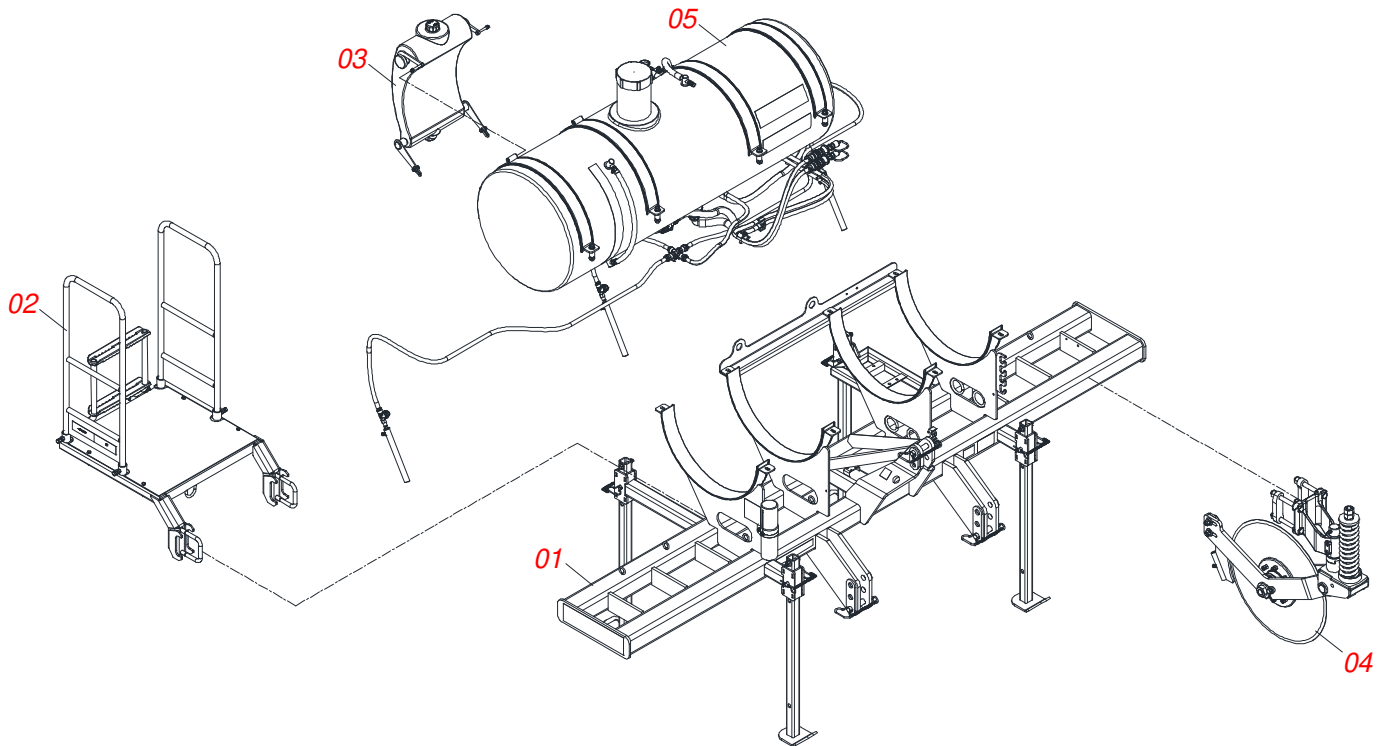


INDEX

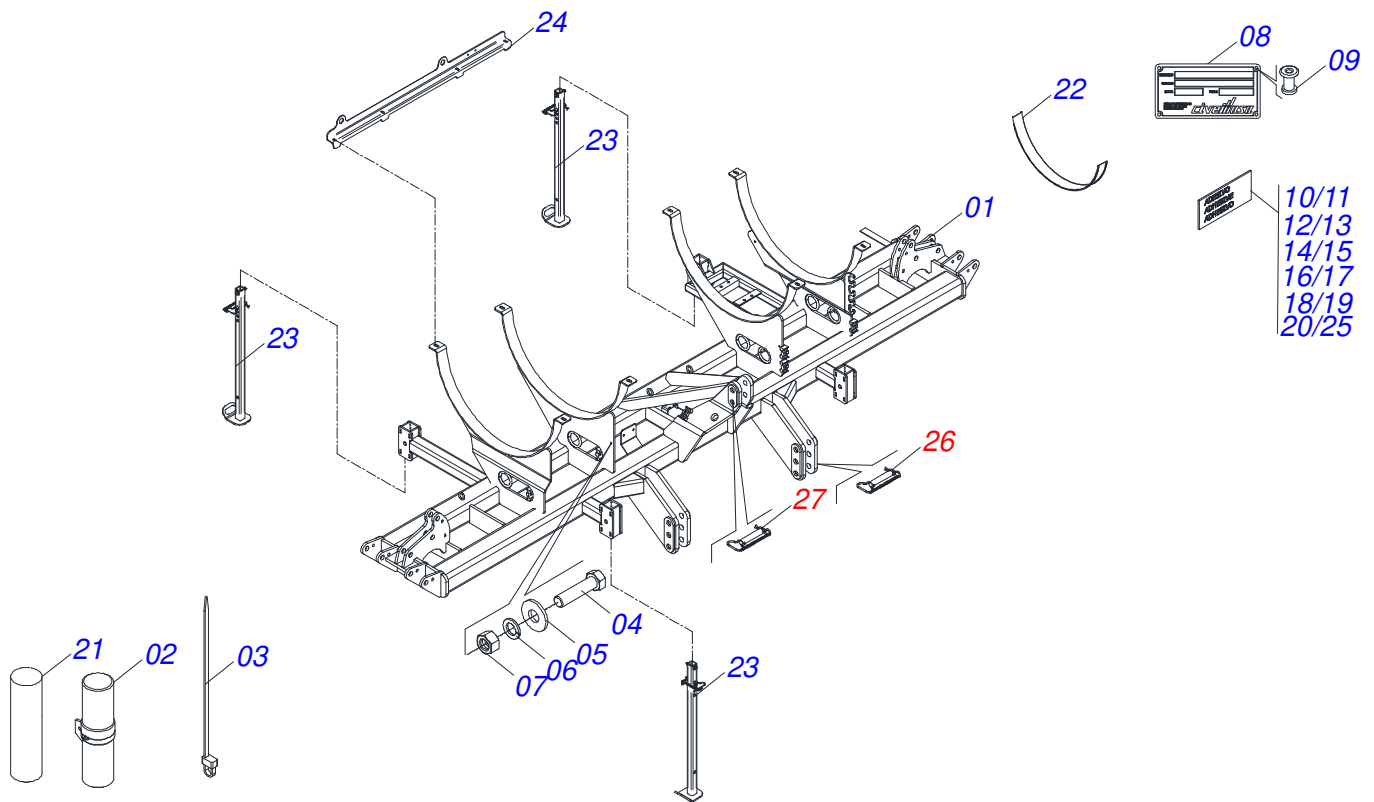
0909096878	ASPER 03/04/05 ROWS	1
0531045437	ASSY FRAME 3 ROWS - MH - 1200L	2
0531051015	SEMIFINISHED FRAME 3L	3
0521057566	PLOUGH SUPPORT	4
0521054328	AXLE 27,80 X EC 130 ASSY	5
0521054135	AXLE 25,00 X EC 130 ASSY	6
0521052257	ASSY PLATFORM	7
0521051224	RESERVOIR	8
0521053103	BLADE DISC ASSY	9
0501052395	26" CUTTING DISK WITH BOX	10
0501057526	DISC HUB	11
0541052113	PUMP SPRAYING SYSTEM	12
0501053834	MALE QUICK COUPLER	13
0521057560	ENGINE WITH FULL LIMIT BLOCK	14
0521057546	RESERVOIR	15
0503064276	SPRAYING KIT	16
0503063001	SEMI MOUNTED PUMP	17
0503062999	FILTER SUCTION 1-1 / 4 ASSY	18
0503063120	BALL VALVE	19
0503063000	MANUAL COMMAND	20
0503063003	RESERVOIR OUTPUT ASSY	21
0503063004	AGITATOR KIT	22
0503063119	OUTPUT CONNECTION	23
0503063117	COMMUNICATOR VASE	24
0531045443	ASSY FRAME 3 ROWS - MH - 1200L - KIT 70/30	25
0541052156	PUMP SPRAYING SYSTEM	26
0503064279	SPRAYING KIT	27
0521049845	ASSY FRAME 4 ROWS - MH - 1200L - KIT 70/30	28
0521057549	SEMIFINISHED FRAME 4L	29
0521057548	SPRAYING SYSTEM 4L	30
0521049844	ASSY FRAME 5 ROWS - MH - 1200L - KIT 70/30	31
0521057532	SEMIFINISHED FRAME 5L	32
0521057529	SPRAYING SYSTEM 5L	33
0503063115	PULVERIZATION KIT	34



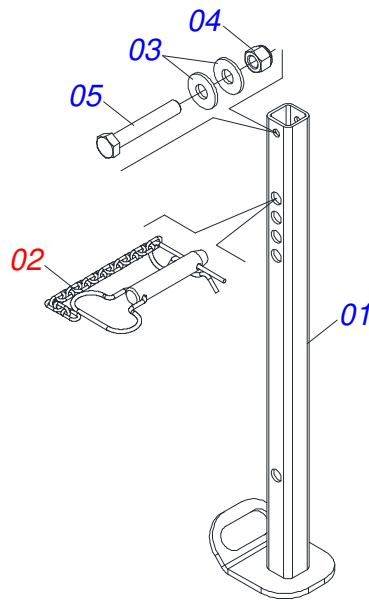
Item	Code	Description	See page	03	04	05
01	0531045437	ASSY FRAME 3 ROWS - MH - 1200L	2	01	00	00
01.	0531045443	ASSY FRAME 3 ROWS - MH - 1200L - KIT 70/30	25	01	00	00
01..	0521049845	ASSY FRAME 4 ROWS - MH - 1200L - KIT 70/30	28	00	01	00
01...	0521049844	ASSY FRAME 5 ROWS - MH - 1200L - KIT 70/30	31	00	00	01



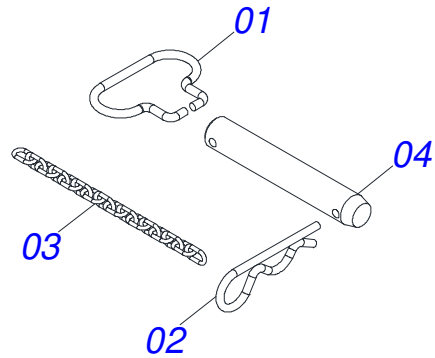
Item	Code	Description	See page	QT
01	0531051015	SEMIFINISHED FRAME 3L	3	01
02	0521052257	ASSY PLATFORM	7	01
03	0521051224	RESERVOIR	8	01
04	0521053103	BLADE DISC ASSY	9	03
05	0541052113	PUMP SPRAYING SYSTEM	12	01



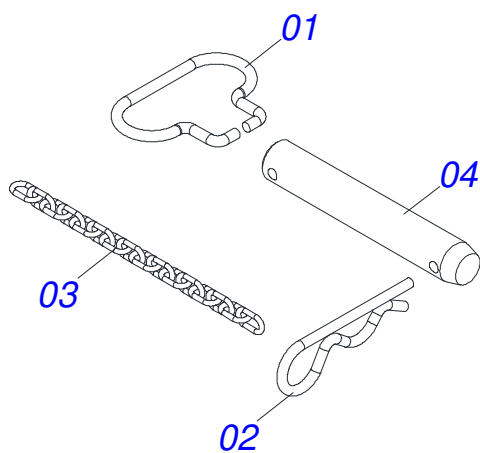
Item	Code	Description	See page	QT
01	0531060594	CENTRAL FRAME		01
02	0503060100	SUPPORT INSTRUCTION MANUAL		01
03	0503010267	NYLON CLAMP 3,60 X 1,3 X 155 MM		01
04	0503010371	5/16" X 1" BOLT		01
05	0501010694	FLAT WASHER 32,50 X 75 X 4,75		01
06	0503010179	LOCK WASHER 5/16 ZN 1K01528		01
07	0503010337	NUT 5/16 UNC G.5 ZN		01
08	0503034004	ALUMINUM IDENTIFICATION DECAL		01
09	0503010001	RIVET 3,2 X 5,5		04
10	0503034078	LIFTING POINTS DECAL		04
11	0503031739	DANGER DECAL		01
12	0503031942	MANUAL SEAL DECAL		01
13	0503031428	READ MANUAL DECAL		01
14	0503033647	APPROVED DECAL		01
15	0503031565	CAUTION TRANSPORTATION DECAL		01
16	0503031827	LUBRICATE AND RETIGHTEN DAILY DECAL		01
17	0503013229	REFLECTIVE SIDE BAND		04
18	0503034216	EMBLEM		01
19	0503034537	BADGE ASPER		01
20	0503032930	DANGER DECAL		04
21	0501091938	INSTRUCTION MANUAL		01
22	0591010119	STRAP RUBBER RESERVOIR		04
23	0521057566	PLOUGH SUPPORT	4	04
24	0591012531	SUPPOT LIFTING		01
25	0503034648	ADHESIVE LABEL		01
26	0521054328	AXLE 27,80 X EC 130 ASSY	5	02
27	0521054135	AXLE 25,00 X EC 130 ASSY	6	01



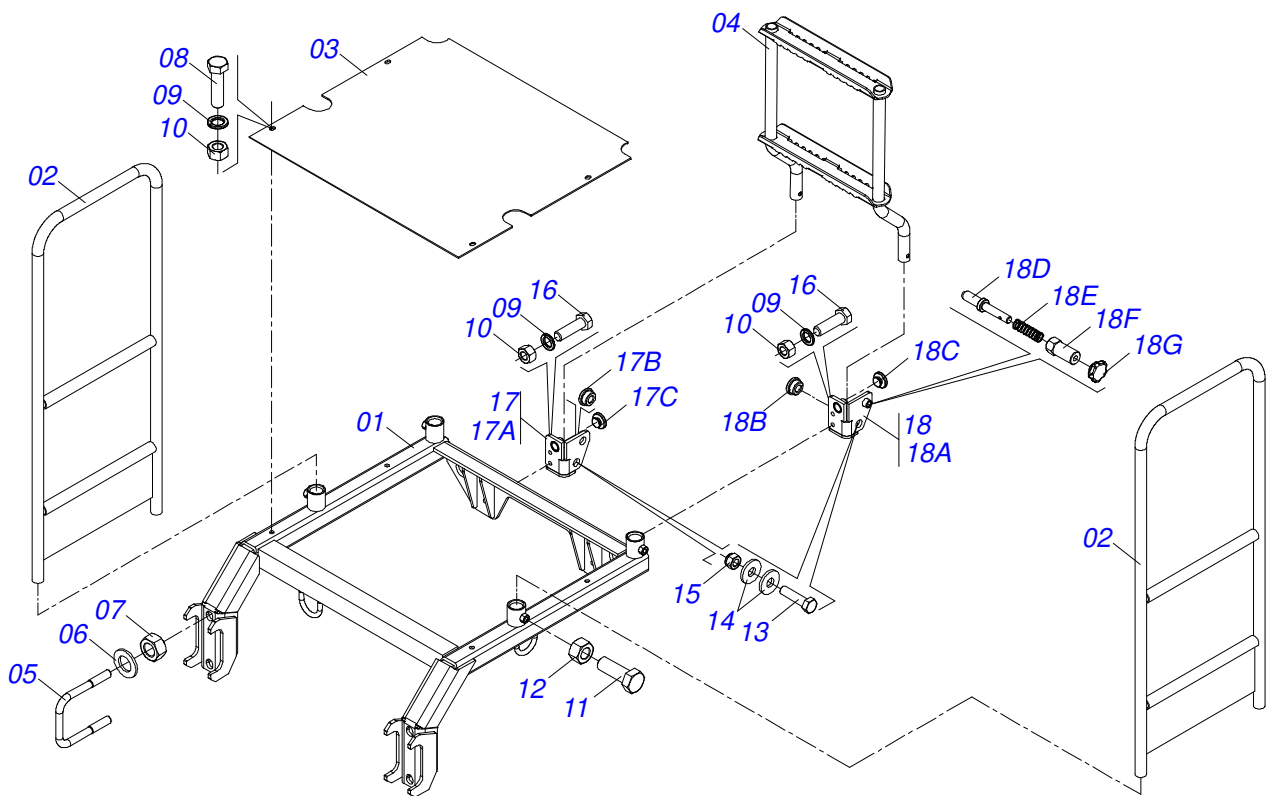
Item	Code	Description	See page	QT
01	0531060603	SUPPORT		01
02	0521054631	AXIS 27,80 X EC 98 ASSY		01
03	0511017302	FLAT WASHER 13,50 X 32,50 X 3,0 ZN		02
04	0503010589	1/2" UNC SELF ADJUSTING NUT		01
05	0503010479	BOLT		01



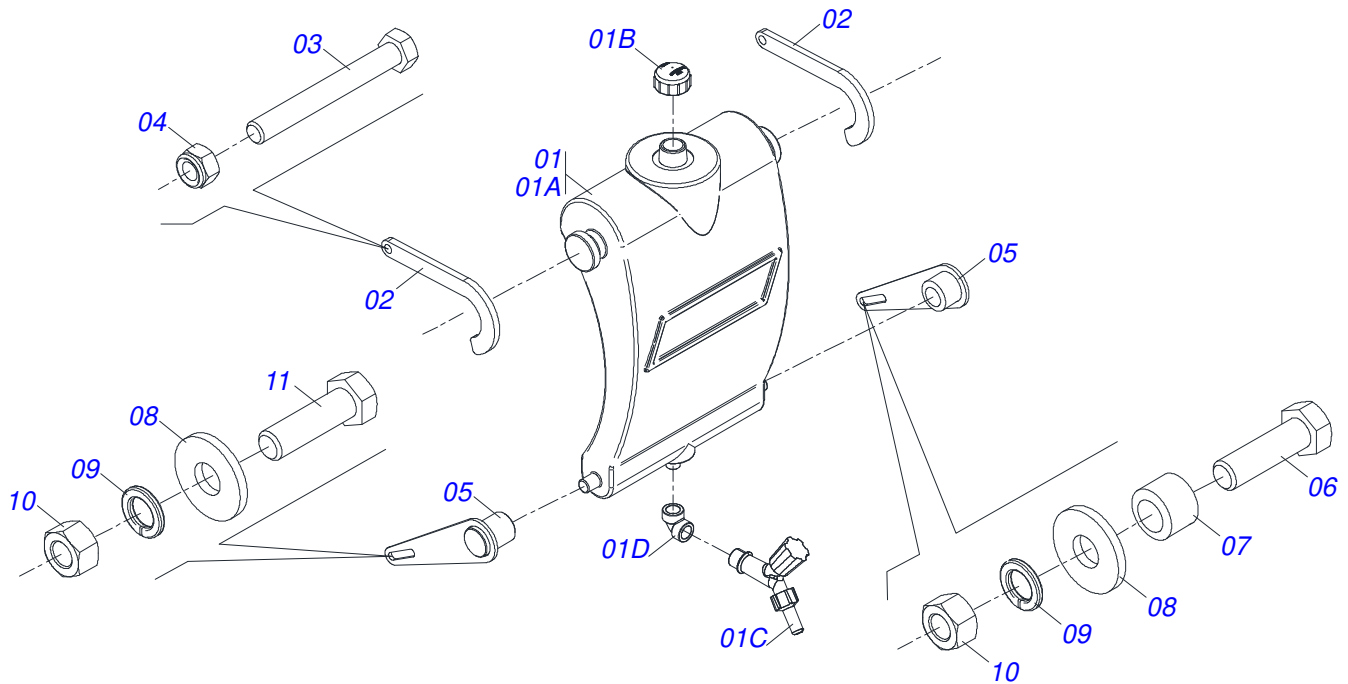
Item	Code	Description	See page	QT
01	0503034755	HANDLE PIN HITCH		01
02	0503031035	HITCH PIN CLIP		01
03	0503034756	3,00 X 16 CHAIN		01
04	0581018636	AXIS 27,80 X 155 X EC 130 FR 7,14		01



Item	Code	Description	See page	QT
01	0503034755	HANDLE PIN HITCH		01
02	0503031035	HITCH PIN CLIP		01
03	0503034756	3,00 X 16 CHAIN		01
04	0581018637	AXIS 25 X 155 X EC 130 FR 7,14		01

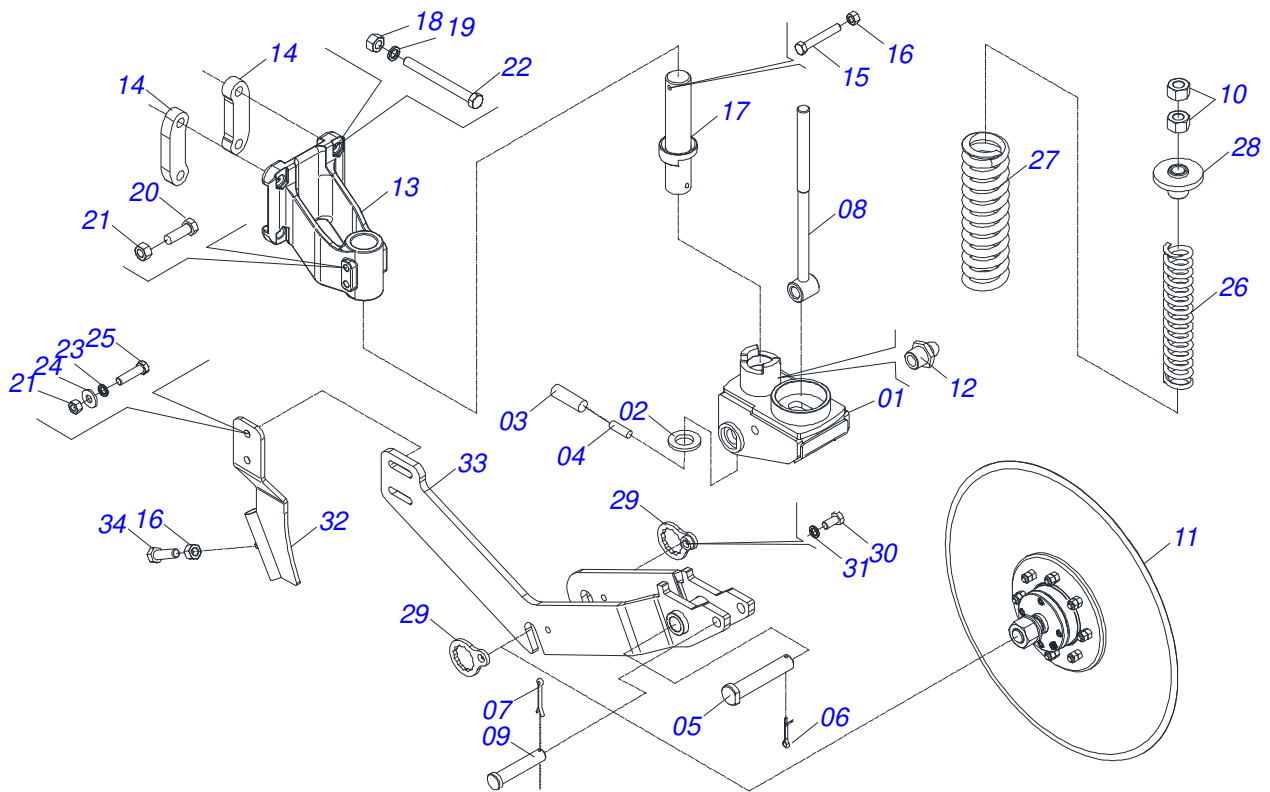


Item	Code	Description	See page	QT
01	0521067866	PLATFORM		01
02	0521067867	HANDRAIL		02
03	0581014474	FLOOR		01
04	0511069636	LADDER		01
05	0581014522	FASTENER ASSY		02
06	0501013934	FLAT WASHER		04
07	0503011255	3/4" LOCK NUT		04
08	0503011141	3/8" X 2-3/4" BOLT		04
09	0503010025	3/8 SPRING WASHER		08
10	0503010026	3/8" NUT		08
11	0503030678	BOLT 1/2 UNC X 1.1/2 CSPC G.5 ZN		04
12	0503010060	1/2 UNC G.5 ZN HEX NUT		04
13	0503011179	3/8" X 2-1/4" BOLT		02
14	0501010984	10,50 X 27 X 3,00 FLAT WASHER		04
15	0503013357	3/8 SELF-ADJUSTING NUT		02
16	0503010751	C3/8" X 1.1/4" HEX BOLT G.5		04
17	0521052260	ASSY LADDER RIGHT SUPPORT		01
17A	0521068450	LADDER RIGHT FIXER		01
17B	0503032594	30 X 13 X 19 PLUG		01
17C	0581016317	ARTICULATED GLOVE		01
18	0521052259	ASSY SUPPORT LEFT LADDER		01
18A	0521068451	FIXER LEFT LADDER		01
18B	0503032594	30 X 13 X 19 PLUG		01
18C	0581016317	ARTICULATED GLOVE		01
18D	0581016321	PIN LOCK LADDER		01
18E	0503034639	SPRING		01
18F	0581016319	TRIGGER CARTRIDGE		01
18G	0503010293	CLAMP KNOB		01
19	0503013229	REFLECTIVE SIDE BAND		02



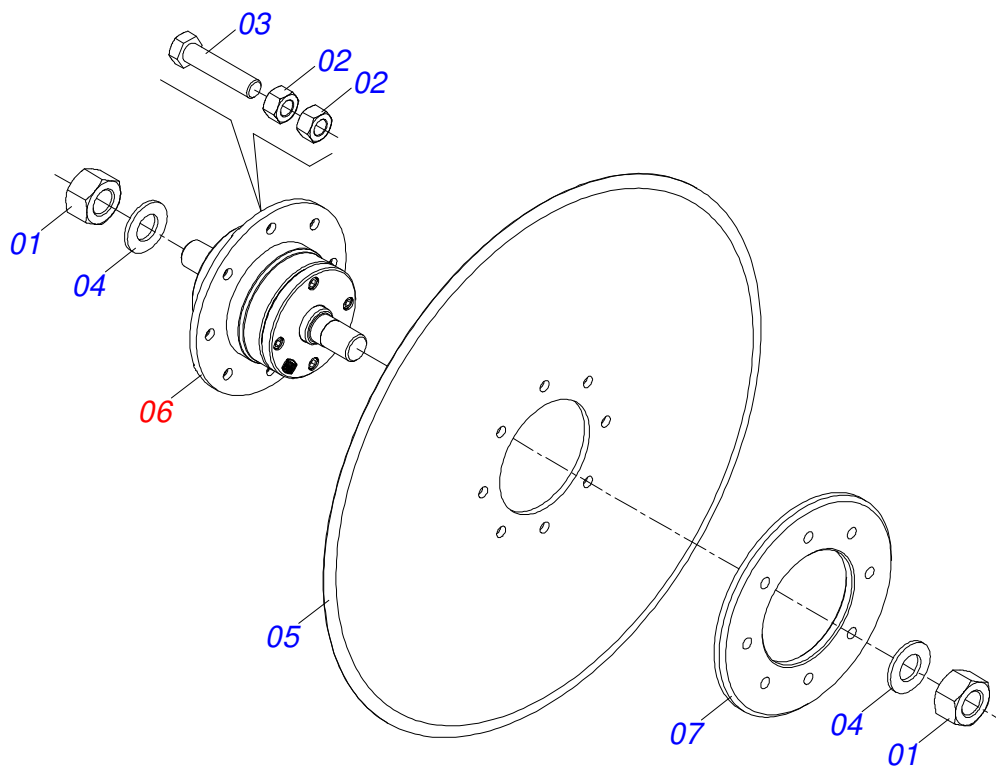
Item	Code	Description	See page	QT
001	0521051120	TANK		01
001A	0581014461	TANK		01
001B	0581013716	COVER ASSY		01
001C	0503018694	WATER TAP		01
001D	0503013969	3/4 ELBOW THREAD		01
002	0581014481	UPER FIXING		02
003	0503010765	3/8" X 3" BOLT		02
004	0503013357	3/8 SELF-ADJUSTING NUT		02
005	0521067864	ROW LOWER SUPPORT		02
006	0501010096	3/8" X 2" BOLT		01
007	0581014457	SLEEVE		01
008	0501010984	10,50 X 27 X 3,00 FLAT WASHER		02
009	0503010025	3/8 SPRING WASHER		02
010	0503010026	3/8" NUT		02
011	0503010751	C3/8" X 1.1/4" HEX BOLT G.5		01

BLADE DISC ASSY

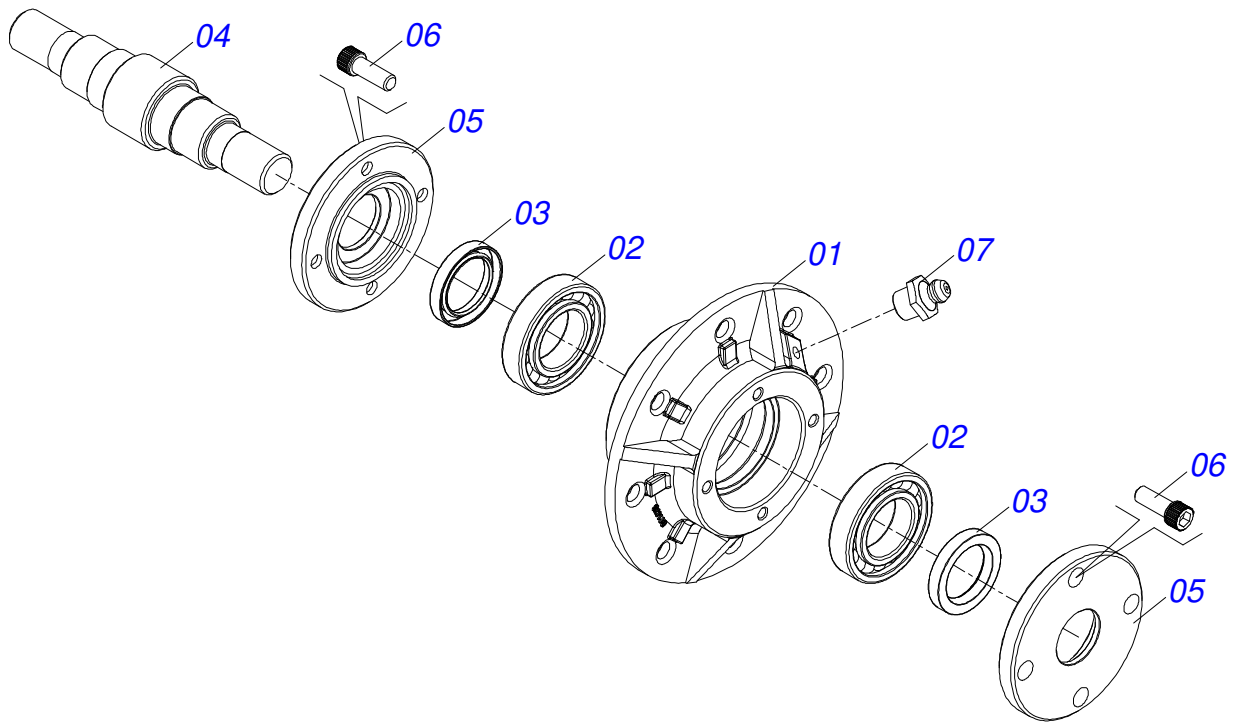


Item	Code	Description	See page	QT
01	0521061328	SWIVEL BASE		01
02	0561015610	FLAT WASHER		01
03	0503010361	SPRING PIN		01
04	0503010756	0.2" X 2.4" SPRING PIN		01
05	0561015339	BLADE DISC AXLE ASSY		01
06	0503010571	1/4" X 1.1/2" SPLIT PIN		01
07	0503010010	SPLIT PIN 1/4" X 2.1/2"		01
08	0521068160	SPRING ROD		01
09	0561019515	COUPLING SHAFT		01
10	0501010059	1.5/8 NUT		02
11	0501052395	26" CUTTING DISK WITH BOX	10	01
12	0503010002	1800 GREASE FITTING		02
13	0502012796	BLADE DISC SUPPORT ASSY		01
14	0571011609	DISC BLADE FIXER PLATE		02
15	0503011268	3/8" X 2-1/2" BOLT		01
16	0503010026	3/8" NUT		02
17	0521067857	BLADE DISC AXLE ASSY		01
18	0503010335	3/4 NUT		04
19	0503010023	3/4" SPRING WASHER		04
20	0503034318	5/8 UNC X 2 BOLT		02
21	0503010013	5/8 UNC G.5 ZN HEX NUT		04
22	0503014744	3/4 UNF X 7.1/2 C S G.7 ZN BOLT		04
23	0503010027	5/8 SPRING WASHER		02
24	0501012140	FLAT WASHER 16,50 X 40 X 4,00 ZN		02
25	0503010233	5/8" X 2-1/2" BOLT		02
26	0503034531	COMPRESSSION SPRING		01
27	0503034530	COMPRESSSION SPRING		01
28	0521068159	SPRING GUIDES UPPER		01
29	0501069637	AXLE NUT LOCK		02
30	0503010962	5/8" X 1-1/4" BOLT		02
31	0503011445	SPRING WASHER		02
32	0521068768	FIXING SUPPORT		01

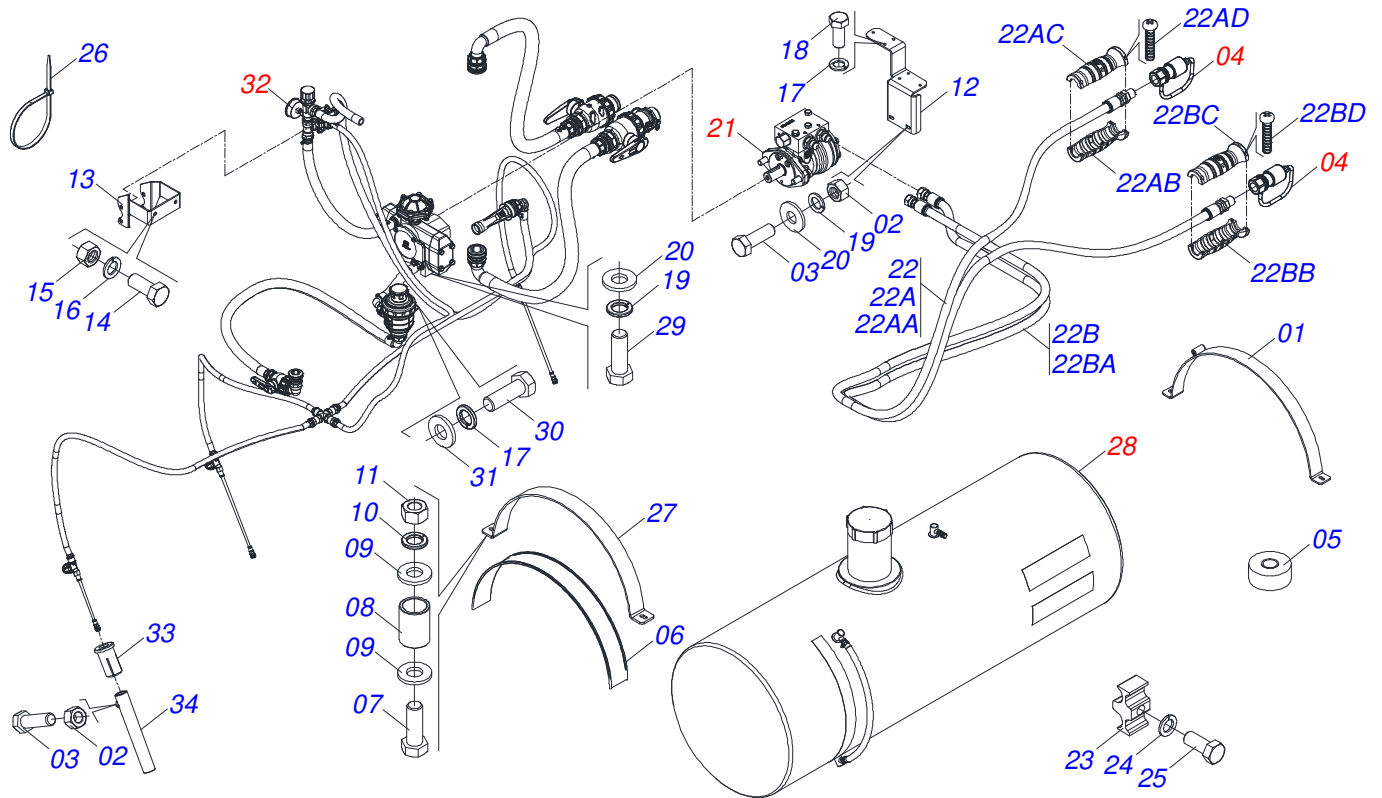
Item	Code	Description	See page	QT
33	0521068767	BLADE DISC FORK		01
34	0503010751	C3/8" X 1.1/4" HEX BOLT G.5		01



Item	Code	Description	See page	QT
01	0501010087	1.1/4" NUT		02
02	0503010060	1/2 UNC G.5 ZN HEX NUT		16
03	0503010905	1/2" X 2-1/4" BOLT		08
04	0501017779	FLAT WASHER 32 X 60 X 4,75		02
05	0603032025	PLAIN COULTER BLADE		01
06	0501057526	DISC HUB	11	01
07	0521011824	DISC BLADE SUPPORT FLANGE		01

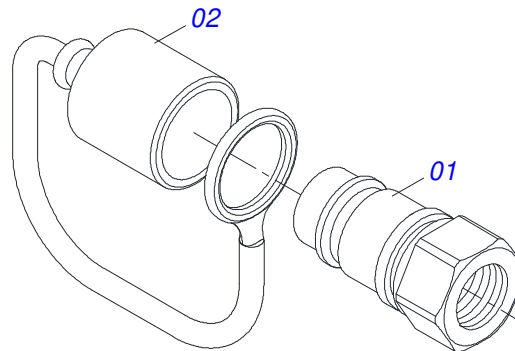


Item	Code	Description	See page	QT
01	0502011478	DISC HUB		01
02	0503011291	6209 BALL BEARING		02
03	0503012106	SEAL RETAINER 00521-BR		02
04	0521012661	DISC BLADE HUB AXLE		01
05	0502011477	BLADE DISC HOUSIG CP		02
06	0503010134	3/8" X 1" BOLT		08
07	0503010002	1800 GREASE FITTING		01
08	1882970002	GREASE		0,03Kg

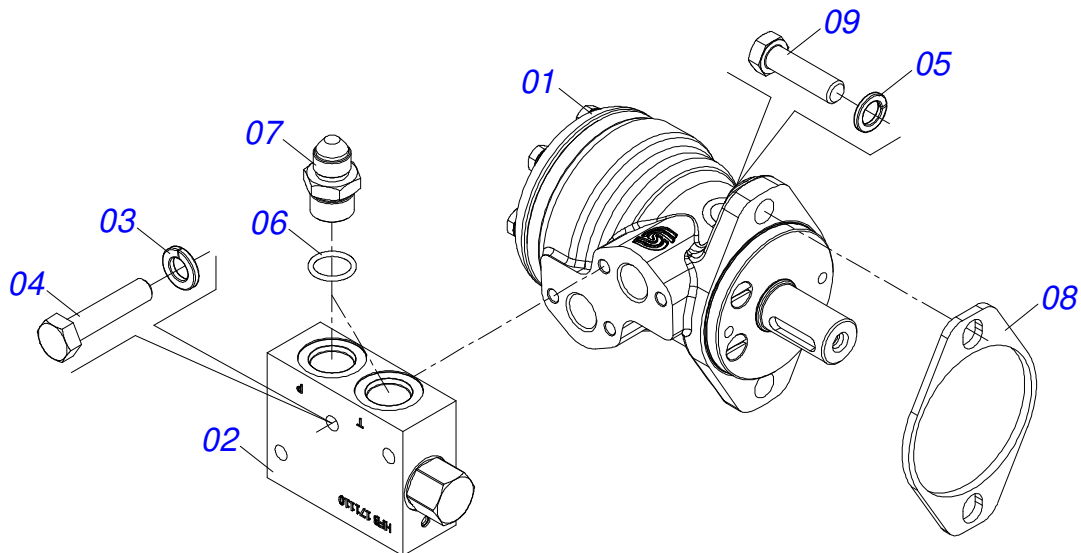


Item	Code	Description	See page	QT
01	0581014451	TANK FIXER RIBBON		02
02	0503010026	3/8" NUT		05
03	0503010751	C3/8" X 1.1/4" HEX BOLT G.5		05
04	0501053834	MALE QUICK COUPLER	13	02
05	0503013171	SEALING 1/2" X 10M 1J51066		01
06	0591010119	STRAP RUBBER RESERVOIR		04
07	0503010847	1/2" X 3.1/4" BOLT		08
08	0581014514	SLEEVE 19,5 X 25 X 40		08
09	0501010937	13,50 X 28 X 3,00 FLAT WASHER		16
10	0503010019	1/2" SPRING WASHER		08
11	0503010060	1/2 UNC G.5 ZN HEX NUT		08
12	0591012533	SUPPORT FIXING VALVE SUPPLY		01
13	0591010733	COMMAND FIXING SUPPORT		01
14	0503016506	5/16 UNC X 3/4 C S G.5 ZN BOLT		02
15	0503010337	NUT 5/16 UNC G.5 ZN		02
16	0503010179	LOCK WASHER 5/16 ZN 1K01528		02
17	0503014371	M8 SPRING WASHER		09
18	0503011294	M 8 X 1,25 X 20 BOLT		06
19	0503010025	3/8 SPRING WASHER		06
20	0501010984	10,50 X 27 X 3,00 FLAT WASHER		06
21	0521057560	ENGINE WITH FULL LIMIT BLOCK	14	01
22	0521057556	HOSE KIT		01
22A	0521057558	HOSE 3/8 X 3200 TR-TM YELLOW/RED		01
22AA	0501080441	HOSE ASSY		01
22AB	0503034493	HYDRAULIC HOSE DEPTH (YELLOW)		01
22AC	0503034495	HYDRAULIC HOSE GRIP (RED)		01
22AD	0503018952	PH 2,5 X 10 ZB PLASTIC BOLT		06
22B	0521057557	HOSE 3/8 X 3200 TR-TM YELLOW/BLUE		01
22BA	0501080441	HOSE ASSY		01
22BB	0503034493	HYDRAULIC HOSE DEPTH (YELLOW)		01
22BC	0503034494	HYDRAULIC HOSE GRIP (BLUE)		01
22BD	0503018952	PH 2,5 X 10 ZB PLASTIC BOLT		06

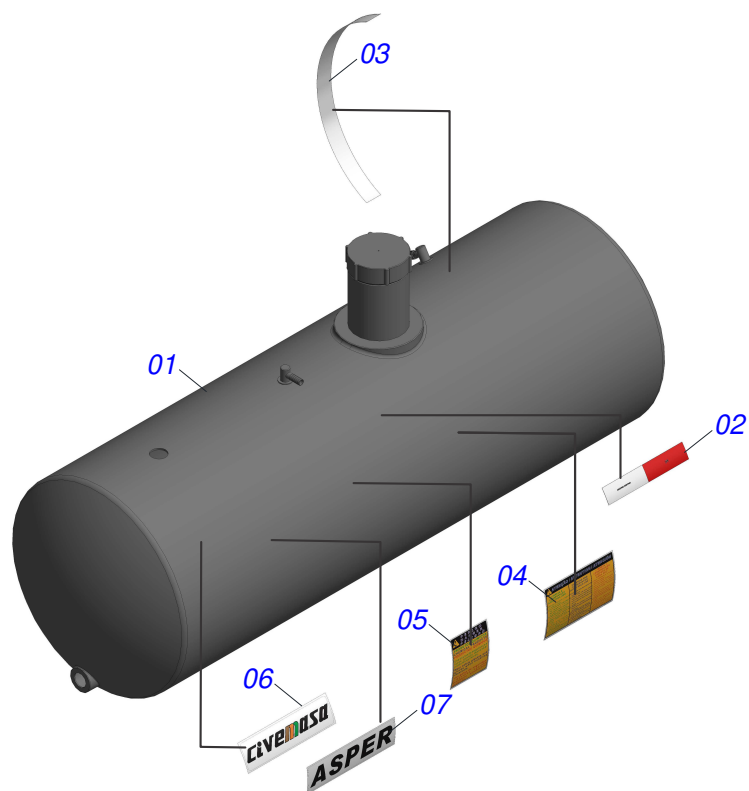
Item	Code	Description	See page	QT
23	1902012702	UPPER CLAMP BODY		04
24	0503010180	7/16" SPRING WASHER		04
25	0503011173	7/16" X 2" BOLT		04
26	0503010267	NYLON CLAMP 3,60 X 1,3 X 155 MM		02
27	0521067854	TANK FIXER RIBBON		02
28	0521057546	RESERVOIR	15	01
29	0503010237	3/8" X 1" BOLT		04
30	0503015114	BOLT		03
31	0501010694	FLAT WASHER 32,50 X 75 X 4,75		03
32	0503064276	SPRAYING KIT	16	01
33	0591012534	FLEXIBLE FIXING GLOVE		03
34	0521068872	DISTRIBUTOR TUBE		03



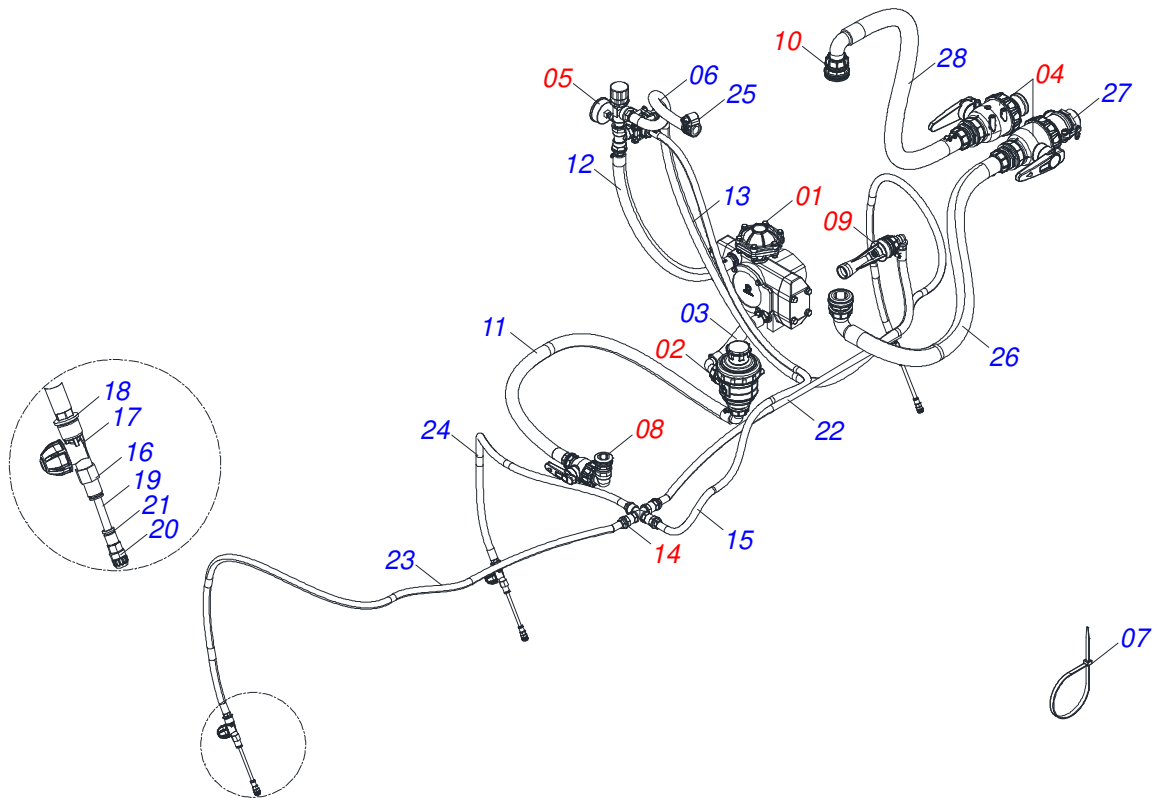
Item	Code	Description	See page	QT
01	0503011627	MALE QUICK COUPLER AGR 1/2 NPT		01
02	0503011882	MALE QUICK COUPLER CAP		01



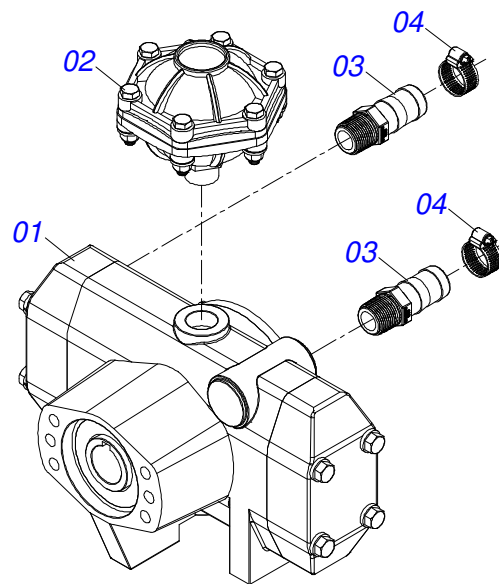
Item	Code	Description	See page	QT
01	0503015422	MOTOR		01
02	0503062758	COMMAND BLOCK		01
03	0503014371	M8 SPRING WASHER		03
04	0503015149	M8 X 1,25 X 50 BOLT		03
05	0503010019	1/2" SPRING WASHER		02
06	0503010045	O'RING		02
07	0511010111	7/8" NIPPLE		02
08	0591010750	FLANGE MOTOR		01
09	0503011082	C1/2" X 1.3/4" SCREW		02



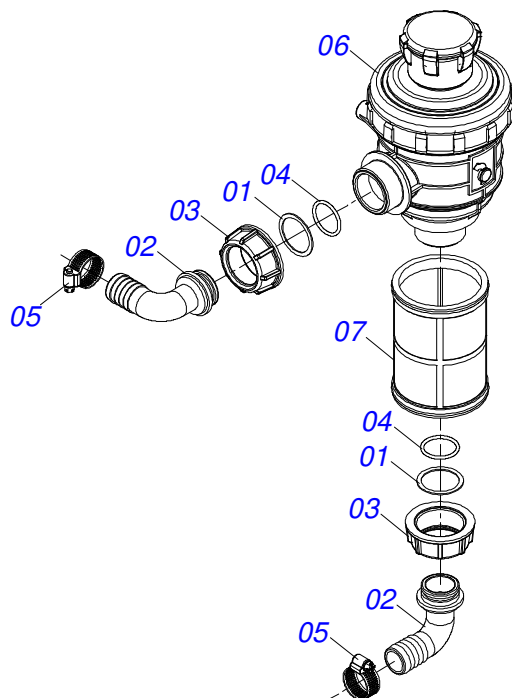
Item	Code	Description	See page	QT
01	0591012528	TANK 1200 LT		01
02	0503013229	REFLECTIVE SIDE BAND		01
03	0503034548	TANK LEVEL EMBLEM		01
04	0503034555	BUMPER STICKER ATTENTION CLEANING CONSERVATION		01
05	0503034556	STICKER DANGER CHEMICAL PRODUCTS		01
06	0503034355	EMBLEM		02
07	0503034549	EMBLEM 80 X 320		02



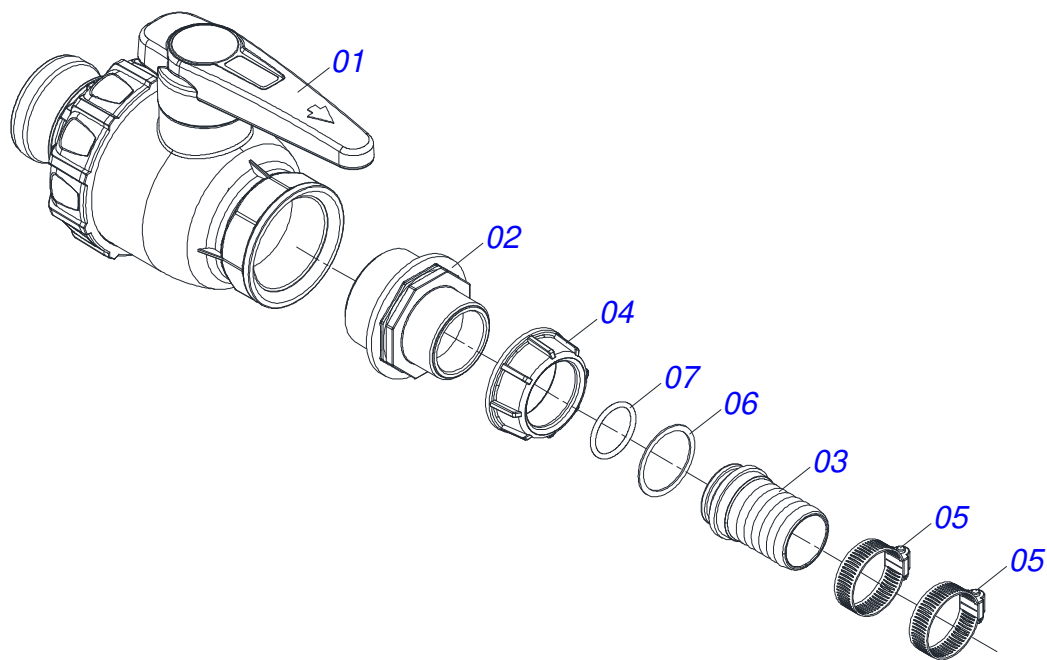
Item	Code	Description	See page	QT
01	0503063001	SEMI MOUNTED PUMP	17	01
02	0503062999	FILTER SUCTION 1-1 / 4 ASSY	18	01
03	0503035051	WINDFOOT 300 PSI BLACK PVC HOSE 1 X 250		01
04	0503063120	BALL VALVE	19	02
05	0503063000	MANUAL COMMAND	20	01
06	0503035048	WINDFOOT 300 PSI HOSE BLACK PVC 3/4 X 900		01
07	0503019497	3/4 HOSE CLAMP		01
08	0503063003	RESERVOIR OUTPUT ASSY	21	01
09	0503063004	AGITATOR KIT	22	01
10	0503063119	OUTPUT CONNECTION	23	02
11	0503035055	1" X 53" BLACK PVC 300 PSI WINDFOOT HOSE		01
12	0503035084	HOSE WINDFOOT 300 1 X 700		01
13	0503035050	WINDFOOT 300 PSI BLACK PVC HOSE 3/4 X 1500		01
14	0503063117	COMMUNICATOR VASE	24	01
15	0503034996	HOSE WINDFOOT 300 PSI PVC BLACK 1/2 X 2000		01
16	0513012124	FEMALE STRAIGHT CONNECTION		03
17	0503019638	NOZZLE HOLDER CONNECTION		03
18	0503019474	STRAIGHT G3 / 8M D13 CONNECTION (SP3-1032113)		03
19	0503019643	POLYURETHANE TUBE 8MM X 550 BLUE		03
20	0503019631	SPRAYING TIP		03
21	0503019635	FEMALE STRAIGHT CONNECTION 8MM X 1/8		03
22	0503036357	1/2 X 2550 BLACK 300 PSI PVCWINDFOOT HOSE		01
23	0503036357	1/2 X 2550 BLACK 300 PSI PVCWINDFOOT HOSE		01
24	0503036100	HOSE WINDFOOT 300 PSI PVC BLACK 1/2X1100		01
25	0503019473	1/2 HOSE CLAMP		03
26	0503035056	1.1/2 X 1200 FLEX HOSE SPIRAL		01
27	0503019630	CONNECTOR COUPLER		01
28	0503035079	HOSE 1.1/2 X 1600		01



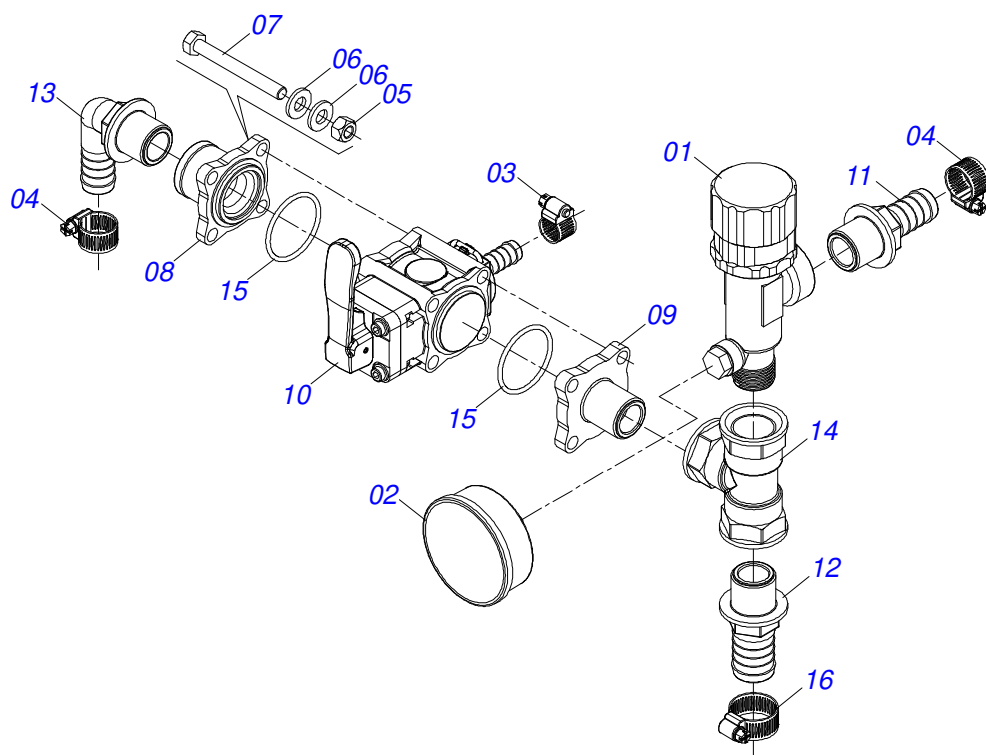
Item	Code	Description	See page	QT
01	0503063053	DOUBLE PISTON PUMP		01
02	0503063052	ANTI PULSE		01
03	0503019500	CONNECTION		02
04	0503019481	HOSE CLAMP		02



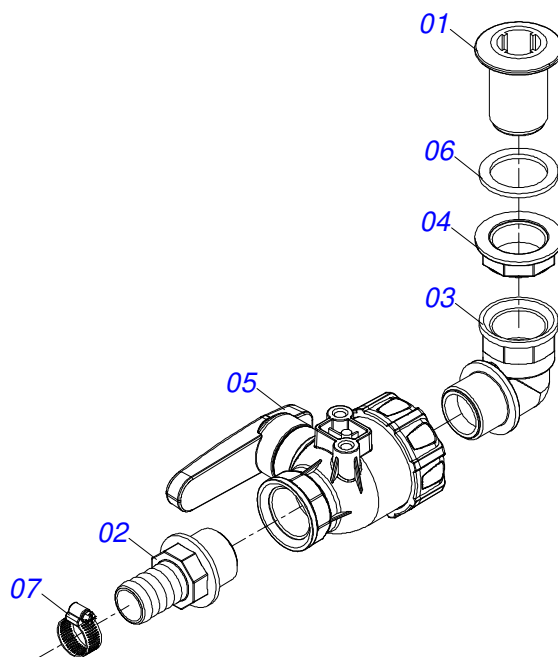
Item	Code	Description	See page	QT
01	0503019485	FLAT JOINT		02
02	0503019484	CURVE CONNECTION D25-SP3-116525		02
03	0503019483	CONNECTION NUT 1-1 / 4 SP3-2002050		02
04	0503019482	RING ORING 2.62 X 26.65X31.89 SP3-G10051		02
05	0503019481	HOSE CLAMP		02
06	0503019480	FILTER 1-1/4		01
07	0503019479	FILTER ELEMENT		01



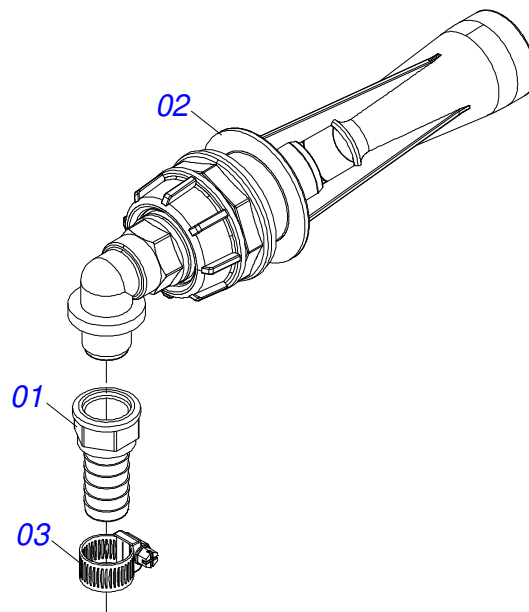
Item	Code	Description	See page	QT
01	0503019655	(SP3-45515107) VALVE		01
02	0503019654	(SP3-2402076) REDUCTION CONNECTION		01
03	0503019653	(SP3-106638) STRAIGHT CONNECTION		01
04	0503019645	(SP3-2002060) NUT TYPE CONNECTION		01
05	0503019651	(592-SPF-016-027) 1.1/2 HOSE CLAMP		02
06	0503019648	(617-SPF-016-154) FLAT JOINT		01
07	0503019649	(SP3-G10061) O'RING RING		01



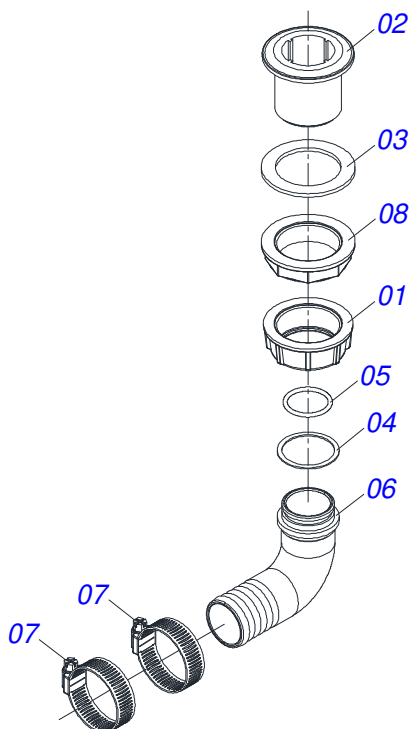
Item	Code	Description	See page	QT
01	0503019499	PRESSURE REGULATING VALVE 3/4		01
02	0503019498	MANOMETER		01
03	0503019473	1/2 HOSE CLAMP		01
04	0503019497	3/4 HOSE CLAMP		02
05	0503019496	HEX NUT		04
06	0503019495	FLAT WASHER M8		08
07	0503019494	HEX SCREW		04
08	0503019493	FLANGE CONNECTION		01
09	0503019492	FLANGE CONNECTION		01
10	0503019491	SECTION VALVE MANUAL DRIVE CONTROL		01
11	0503019490	STRAIGHT CONNECTION G3 / 4		01
12	0503019489	STRAIGHT CONNECTION G3 / 4		01
13	0503019488	G3 / 4 CURVE CONNECTION		01
14	0503019487	G3/4 CONNECTION T		01
15	0503019486	ORING RING 2,62X39,34X44,58		02
16	0503019481	HOSE CLAMP		01



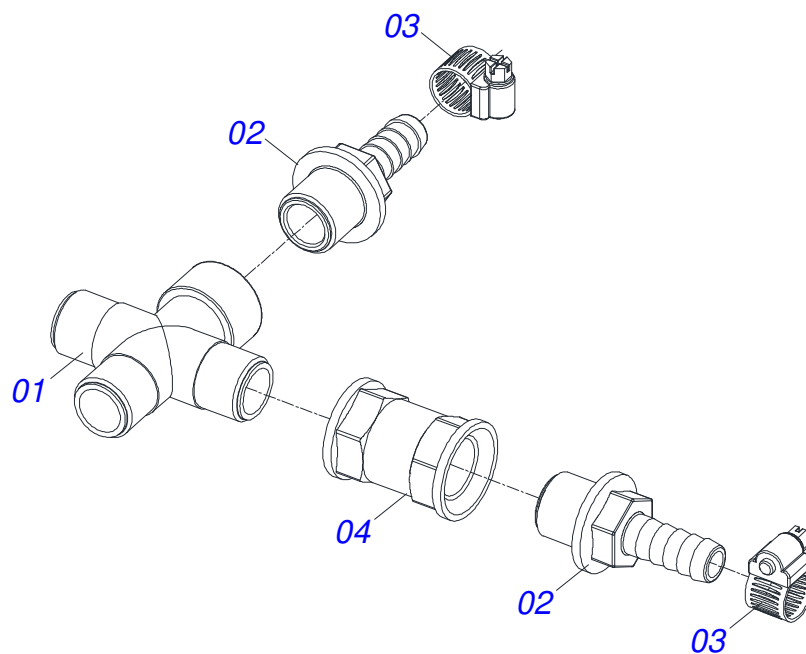
Item	Code	Description	See page	QT
01	0503019508	OUTPUT CONNECTION		01
02	0503019507	STRAIGHT G1 CONNECTION		01
03	0503019506	CURVE CONNECTION		01
04	0503019505	CONNECTION AGAINST NUT		01
05	0503019504	BALL VALVE		01
06	0503019503	FLAT JOINT		01
07	0503019481	HOSE CLAMP		01



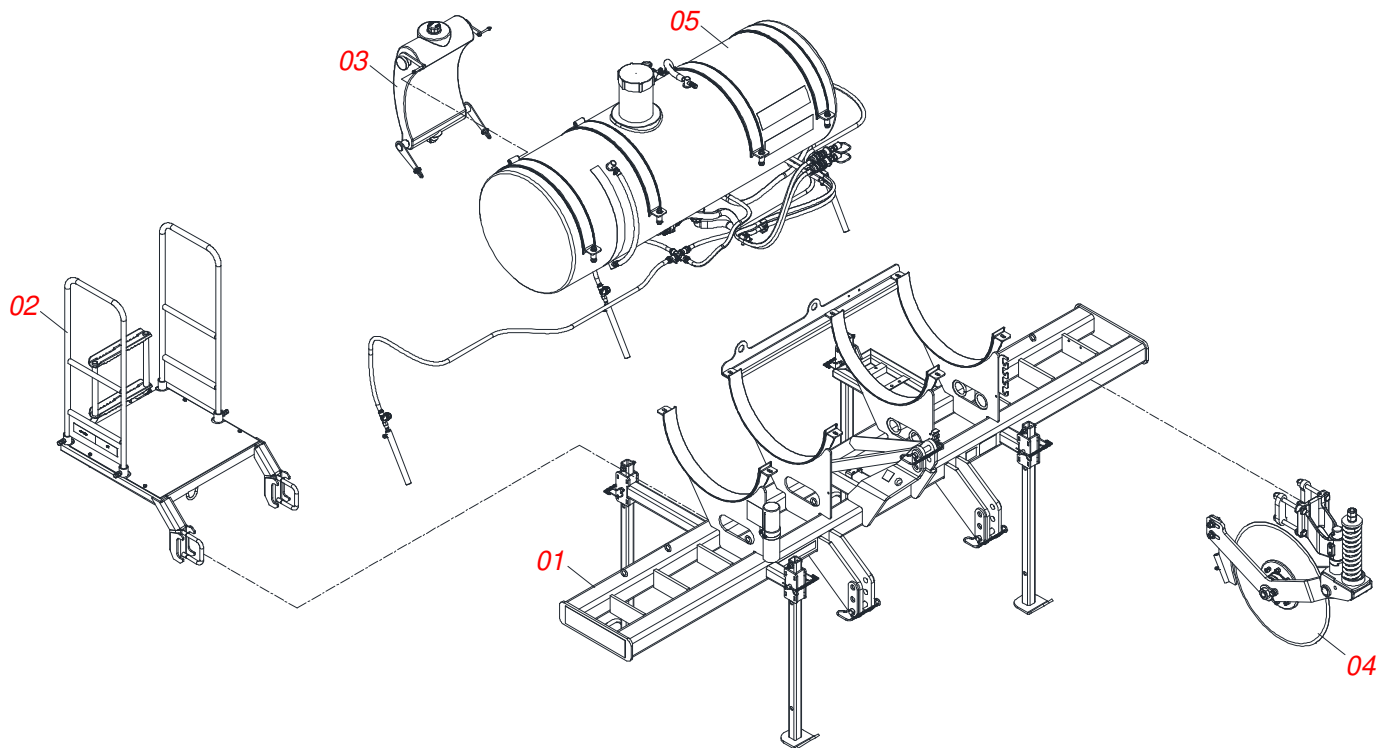
Item	Code	Description	See page	QT
01	0503019510	STRAIGHT CONNECTION		01
02	0503019509	AGITATOR		01
03	0503019497	3/4 HOSE CLAMP		01



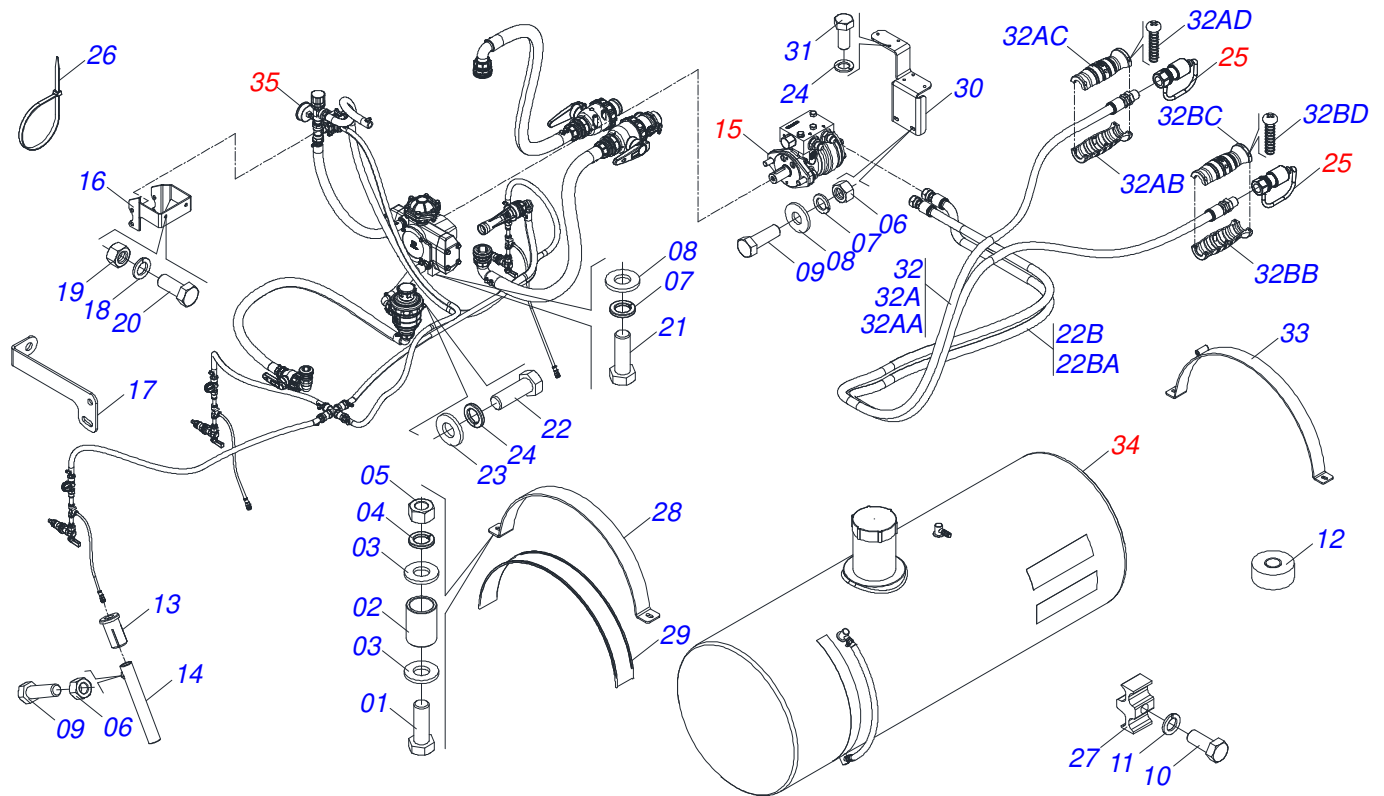
Item	Code	Description	See page	QT
01	0503019645	(SP3-2002060) NUT TYPE CONNECTION		01
02	0503019646	(SP3-220060) OUTPUT TYPE CONNECTION		01
03	0503019647	(SP3-G40006) FLAT JOINT		01
04	0503019648	(617-SPF-016-154) FLAT JOINT		01
05	0503019649	(SP3-G10061) O'RING RING		01
06	0503019650	(SP3-116638) CURVED TYPE CONNECTION		01
07	0503019651	(592-SPF-016-027) 1.1/2 HOSE CLAMP		02
08	0503019652	(SP3-2052060) COUNTER NUT TYPE CONNECTION		01



Item	Code	Description	See page	QT
01	0503019660	SP3-150120 MALE 3V CONNECTOR		01
02	0503019661	SP3-1032213 STRAIGHT CONNECTOR		04
03	0503019473	1/2 HOSE CLAMP		04
04	0503019662	SP3-2302020 SLEEVE CONNECTOR		03

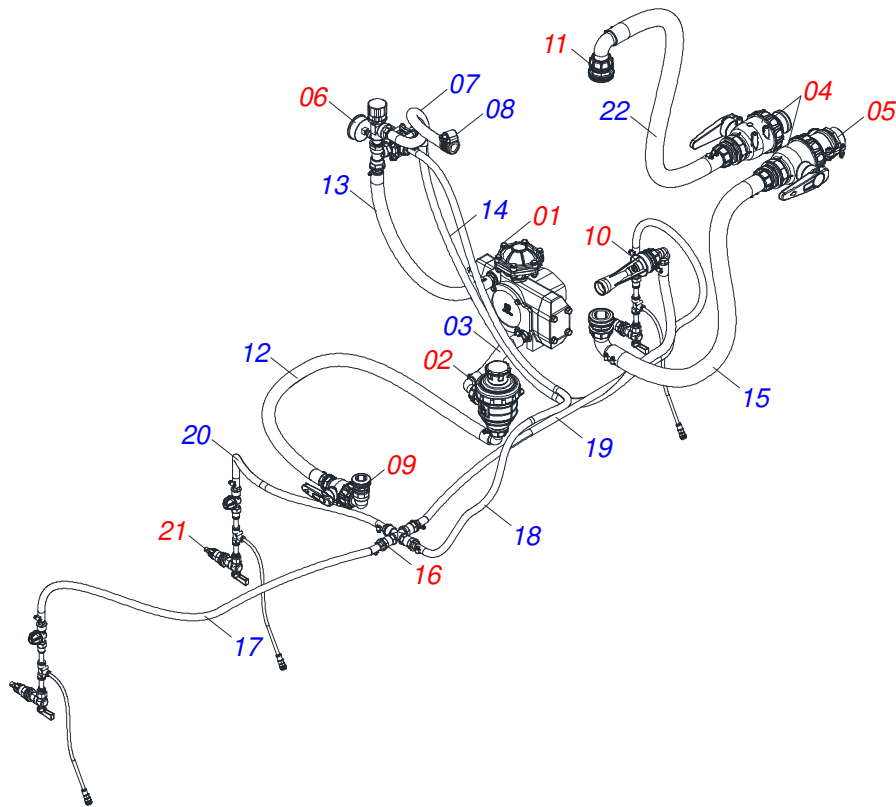


Item	Code	Description	See page	QT
01	0531051015	SEMIFINISHED FRAME 3L	3	01
02	0521052257	ASSY PLATFORM	7	01
03	0521051224	RESERVOIR	8	01
04	0521053103	BLADE DISC ASSY	9	03
05	0541052156	PUMP SPRAYING SYSTEM	26	01

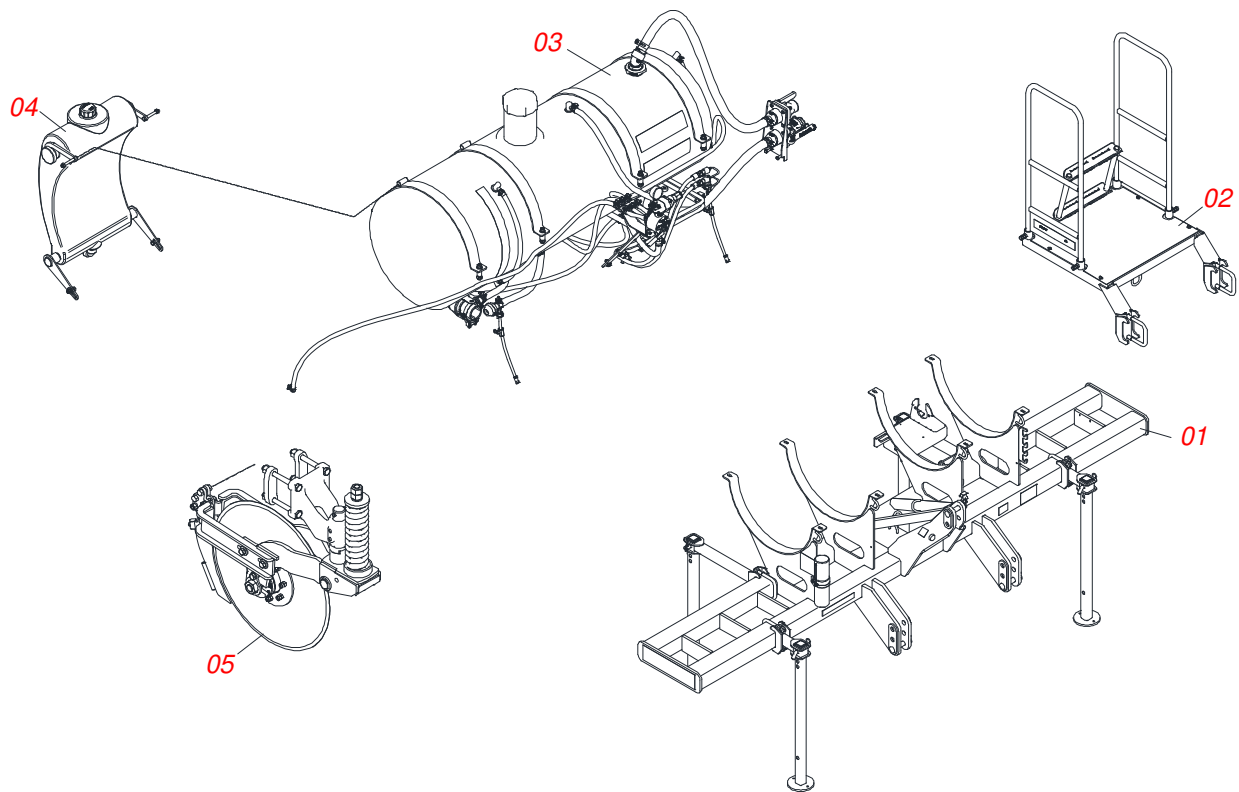


Item	Code	Description	See page	QT
01	0503010847	1/2" X 3.1/4" BOLT		08
02	0581014514	SLEEVE 19,5 X 25 X 40		08
03	0501010937	13,50 X 28 X 3,00 FLAT WASHER		16
04	0503010019	1/2" SPRING WASHER		08
05	0503010060	1/2 UNC G.5 ZN HEX NUT		08
06	0503010026	3/8" NUT		05
07	0503010025	3/8 SPRING WASHER		06
08	0501010984	10,50 X 27 X 3,00 FLAT WASHER		06
09	0503010751	C3/8" X 1.1/4" HEX BOLT G.5		05
10	0503011173	7/16" X 2" BOLT		04
11	0503010180	7/16" SPRING WASHER		04
12	0503013171	SEALING 1/2" X 10M 1J51066		01
13	0591012534	FLEXIBLE FIXING GLOVE		03
14	0521068872	DISTRIBUTOR TUBE		03
15	0521057560	ENGINE WITH FULL LIMIT BLOCK	14	01
16	0591010733	COMMAND FIXING SUPPORT		01
17	0591012535	SUPPOT FIXING		03
18	0503010179	LOCK WASHER 5/16 ZN 1K01528		02
19	0503010337	NUT 5/16 UNC G.5 ZN		02
20	0503016506	5/16 UNC X 3/4 C S G.5 ZN BOLT		02
21	0503010237	3/8" X 1" BOLT		04
22	0503015114	BOLT		03
23	0501010694	FLAT WASHER 32,50 X 75 X 4,75		03
24	0503014371	M8 SPRING WASHER		09
25	0501053834	MALE QUICK COUPLER	13	02
26	0503010267	NYLON CLAMP 3,60 X 1,3 X 155 MM		02
27	1902012702	UPPER CLAMP BODY		04
28	0581014451	TANK FIXER RIBBON		02
29	0591010119	STRAP RUBBER RESERVOIR		04
30	0591012533	SUPPORT FIXING VALVE SUPPLY		01
31	0503011294	M 8 X 1,25 X 20 BOLT		06
32	0521057556	HOSE KIT		01

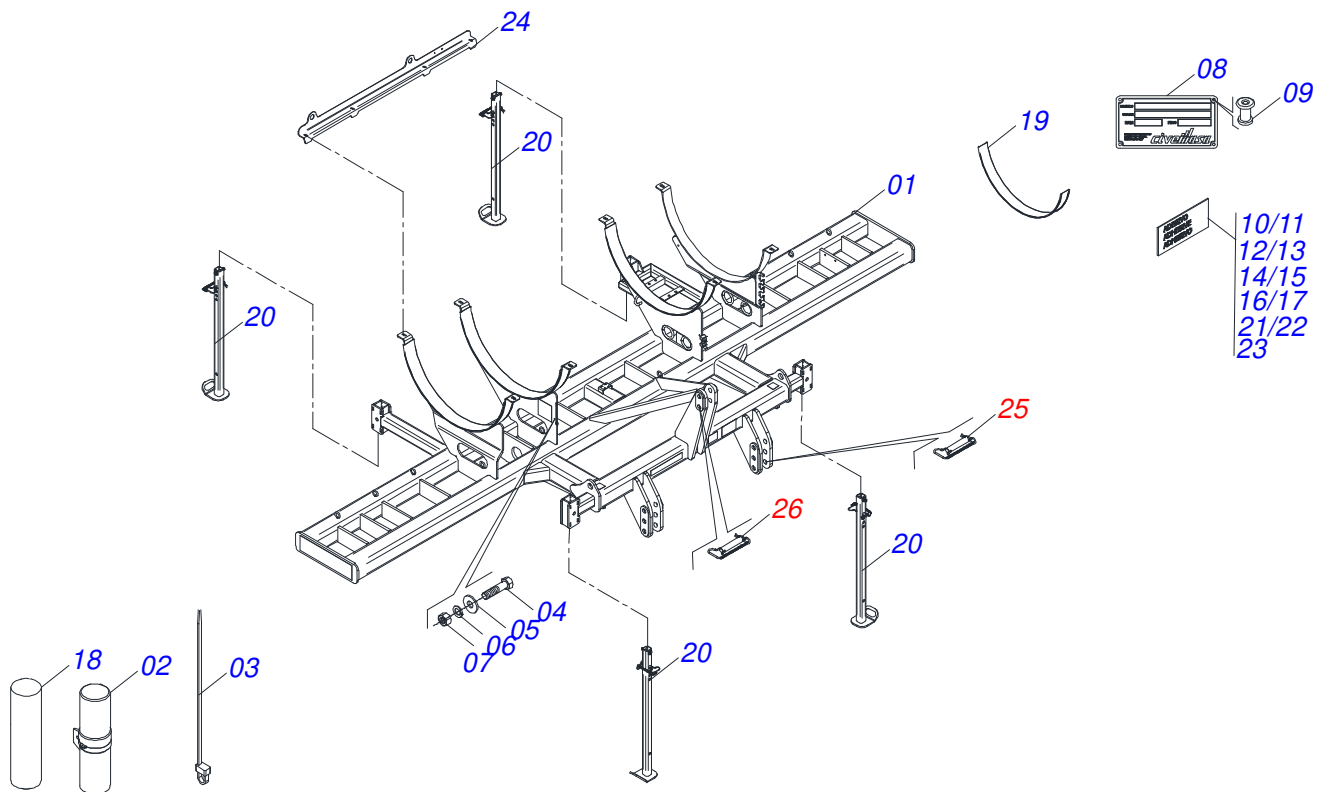
Item	Code	Description	See page	QT
32A	0521057558	HOSE 3/8 X 3200 TR-TM YELLOW/RED		01
32AA	0501080441	HOSE ASSY		01
32AB	0503034493	HYDRAULIC HOSE DEPTH (YELLOW)		01
32AC	0503034495	HYDRAULIC HOSE GRIP (RED)		01
32AD	0503018952	PH 2,5 X 10 ZB PLASTIC BOLT		06
32B	0521057557	HOSE 3/8 X 3200 TR-TM YELLOW/BLUE		01
32BA	0501080441	HOSE ASSY		01
32BB	0503034493	HYDRAULIC HOSE DEPTH (YELLOW)		01
32BC	0503034494	HYDRAULIC HOSE GRIP (BLUE)		01
32BD	0503018952	PH 2,5 X 10 ZB PLASTIC BOLT		06
33	0521067854	TANK FIXER RIBBON		02
34	0521057546	RESERVOIR	15	01
35	0503064279	SPRAYING KIT	27	01



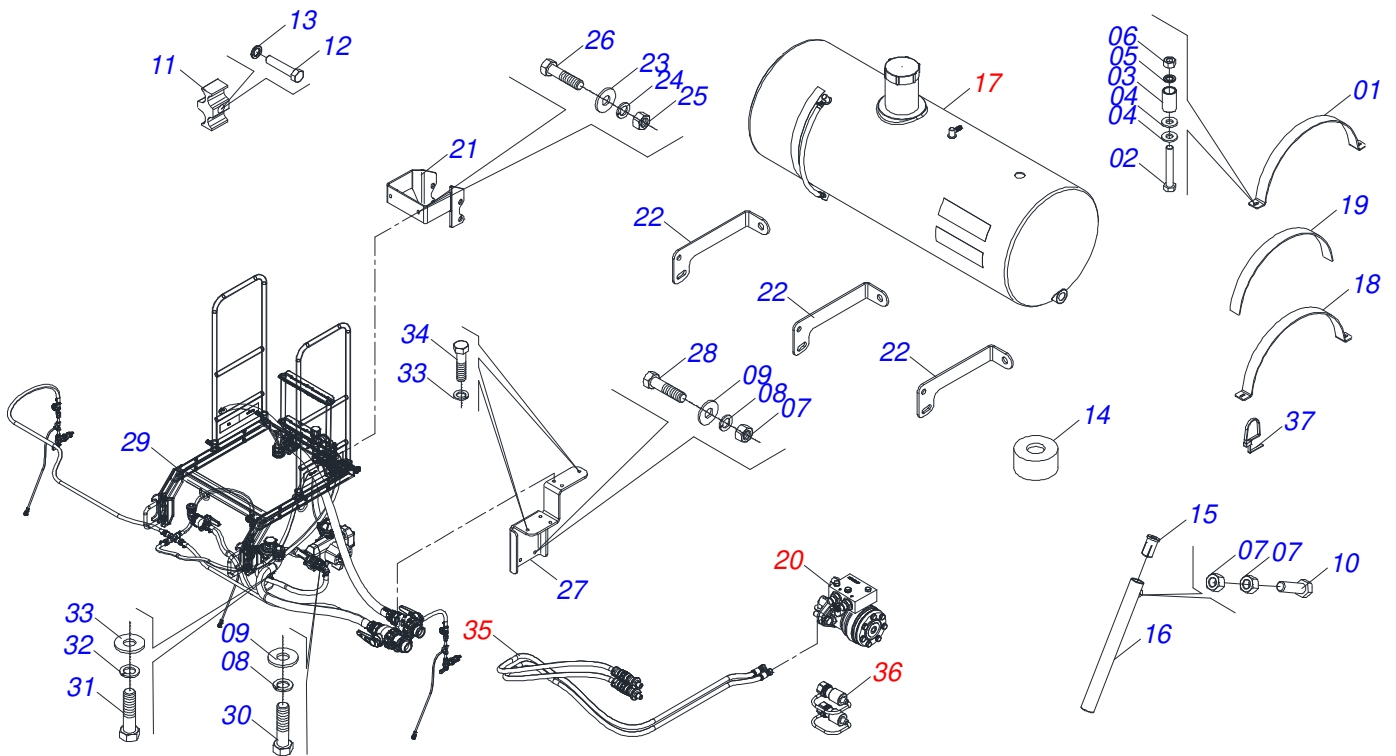
Item	Code	Description	See page	QT
01	0503063001	SEMI MOUNTED PUMP	17	01
02	0503062999	FILTER SUCTION 1-1 / 4 ASSY	18	01
03	0503035051	WINDFOOT 300 PSI BLACK PVC HOSE 1 X 250		01
04	0503063120	BALL VALVE	19	02
05	0503019630	CONNECTOR COUPLER		01
06	0503063000	MANUAL COMMAND	20	01
07	0503035048	WINDFOOT 300 PSI HOSE BLACK PVC 3/4 X 900		01
08	0503019497	3/4 HOSE CLAMP		01
09	0503063003	RESERVOIR OUTPUT ASSY	21	01
10	0503063004	AGITATOR KIT	22	01
11	0503063119	OUTPUT CONNECTION	23	02
12	0503035055	1" X 53" BLACK PVC 300 PSI WINDFOOT HOSE		01
13	0503035084	HOSE WINDFOOT 300 1 X 700		01
14	0503035050	WINDFOOT 300 PSI BLACK PVC HOSE 3/4 X 1500		01
15	0503035056	1.1/2 X 1200 FLEX HOSE SPIRAL		01
16	0503063117	COMMUNICATOR VASE	24	01
17	0503034996	HOSE WINDFOOT 300 PSI PVC BLACK 1/2 X 2000		01
18	0503034996	HOSE WINDFOOT 300 PSI PVC BLACK 1/2 X 2000		01
19	0503034996	HOSE WINDFOOT 300 PSI PVC BLACK 1/2 X 2000		01
20	0503035039	WINDFOOT 300 PSI BLACK PVC HOSE 1/2 X 850		01
21	0503063118	BEAK OUTPUT		03
22	0503035079	HOSE 1.1/2 X 1600		01



Item	Code	Description	See page	QT
01	0521057549	SEMIFINISHED FRAME 4L	29	01
02	0521052257	ASSY PLATFORM	7	01
03	0521057548	SPRAYING SYSTEM 4L	30	01
04	0521051224	RESERVOIR	8	01
05	0521053103	BLADE DISC ASSY	9	04

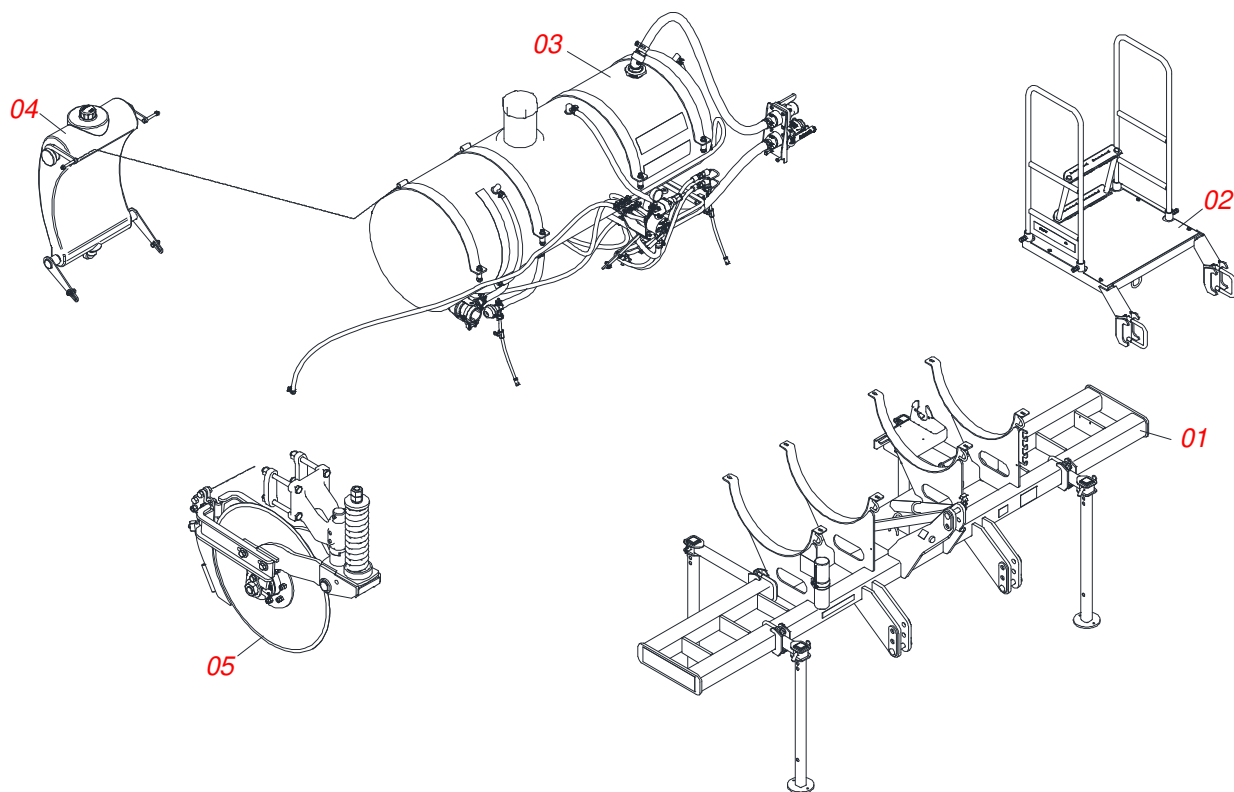


Item	Code	Description	See page	QT
01	0531060595	FRAME SPACING		01
02	0503060100	SUPPORT INSTRUCTION MANUAL		01
03	0503010267	NYLON CLAMP 3,60 X 1,3 X 155 MM		01
04	0503010371	5/16" X 1" BOLT		01
05	0501010694	FLAT WASHER 32,50 X 75 X 4,75		01
06	0503010179	LOCK WASHER 5/16 ZN 1K01528		01
07	0503010337	NUT 5/16 UNC G.5 ZN		01
08	0503034004	ALUMINUM IDENTIFICATION DECAL		01
09	0503010001	RIVET 3,2 X 5,5		04
10	0503034078	LIFTING POINTS DECAL		04
11	0503031739	DANGER DECAL		01
12	0503031942	MANUAL SEAL DECAL		01
13	0503031428	READ MANUAL DECAL		01
14	0503033647	APPROVED DECAL		01
15	0503031565	CAUTION TRANSPORTATION DECAL		01
16	0503031827	LUBRICATE AND RETIGHTEN DAILY DECAL		01
17	0503013229	REFLECTIVE SIDE BAND		02
18	0501091938	INSTRUCTION MANUAL		01
19	0591010119	STRAP RUBBER RESERVOIR		04
20	0521057566	PLOUGH SUPPORT	4	04
21	0503034216	EMBLEM		01
22	0503034537	BADGE ASPER		01
23	0503034648	ADHESIVE LABEL		01
24	0591012531	SUPPOT LIFTING		01
25	0521054328	AXLE 27,80 X EC 130 ASSY	5	02
26	0521054135	AXLE 25,00 X EC 130 ASSY	6	01

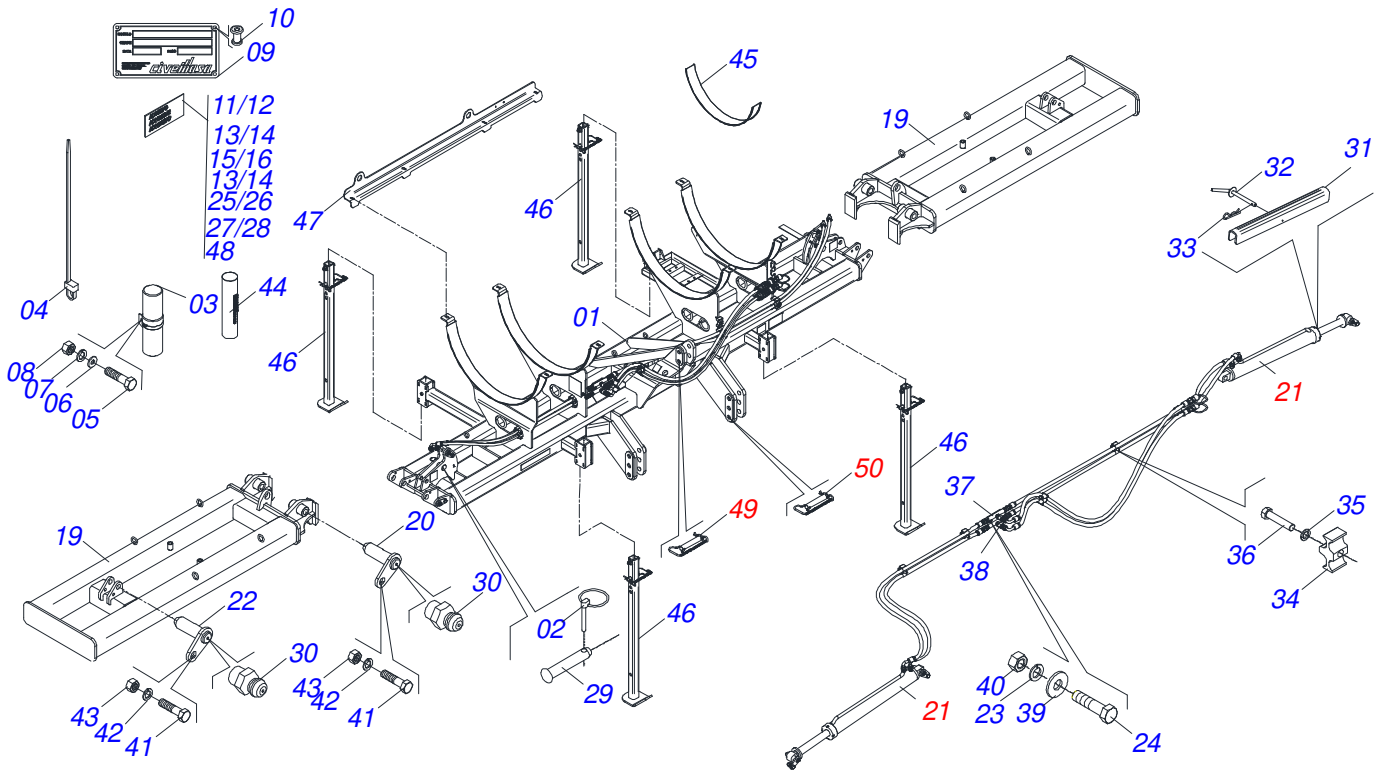


Item	Code	Description	See page	QT
01	0581014451	TANK FIXER RIBBON		02
02	0503010847	1/2" X 3.1/4" BOLT		08
03	0581014514	SLEEVE 19,5 X 25 X 40		08
04	0501010937	13,50 X 28 X 3,00 FLAT WASHER		16
05	0503010019	1/2" SPRING WASHER		08
06	0503010060	1/2 UNC G.5 ZN HEX NUT		08
07	0503010026	3/8" NUT		06
08	0503010025	3/8 SPRING WASHER		06
09	0501010984	10,50 X 27 X 3,00 FLAT WASHER		06
10	0503010751	C3/8" X 1.1/4" HEX BOLT G.5		04
11	1902012702	UPPER CLAMP BODY		04
12	0503011173	7/16" X 2" BOLT		04
13	0503010180	7/16" SPRING WASHER		04
14	0503013171	SEALING 1/2" X 10M 1J51066		01
15	0591012534	FLEXIBLE FIXING GLOVE		04
16	0521068872	DISTRIBUTOR TUBE		04
17	0521057546	RESERVOIR	15	01
18	0521067854	TANK FIXER RIBBON		02
19	0591010119	STRAP RUBBER RESERVOIR		04
20	0521057560	ENGINE WITH FULL LIMIT BLOCK	14	01
21	0591010733	COMMAND FIXING SUPPORT		01
22	0591012535	SUPPOT FIXING		04
23	0501012140	FLAT WASHER 16,50 X 40 X 4,00 ZN		04
24	0503010179	LOCK WASHER 5/16 ZN 1K01528		02
25	0503010337	NUT 5/16 UNC G.5 ZN		02
26	0503016506	5/16 UNC X 3/4 C S G.5 ZN BOLT		02
27	0591012533	SUPPORT FIXING VALVE SUPPLY		01
28	0503010849	3/8" X 1-1/2" BOLT		02
29	0503063114	PULVERIZATION KIT		01
30	0503010237	3/8" X 1" BOLT		04
31	0503015114	BOLT		03
32	0501010694	FLAT WASHER 32,50 X 75 X 4,75		03

Item	Code	Description	See page	QT
33	0503014371	M8 SPRING WASHER		09
34	0503011294	M 8 X 1,25 X 20 BOLT		06
35	0521057530	HOSE KIT		01
36	0501053834	MALE QUICK COUPLER	13	02
37	0503010267	NYLON CLAMP 3,60 X 1,3 X 155 MM		02

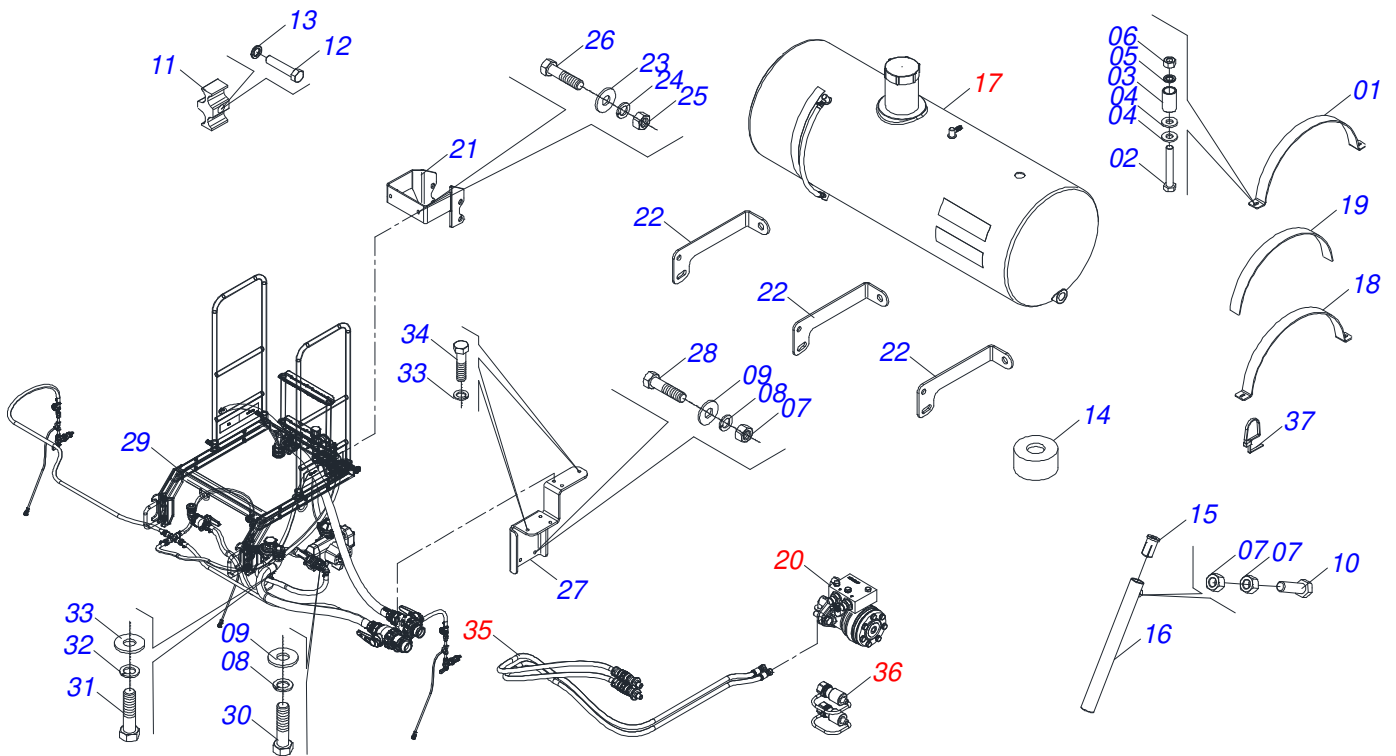


Item	Code	Description	See page	QT
01	0521057532	SEMIFINISHED FRAME 5L	32	01
02	0521052257	ASSY PLATFORM	7	01
03	0521057529	SPRAYING SYSTEM 5L	33	01
04	0521051224	RESERVOIR	8	01
05	0521053103	BLADE DISC ASSY	9	05



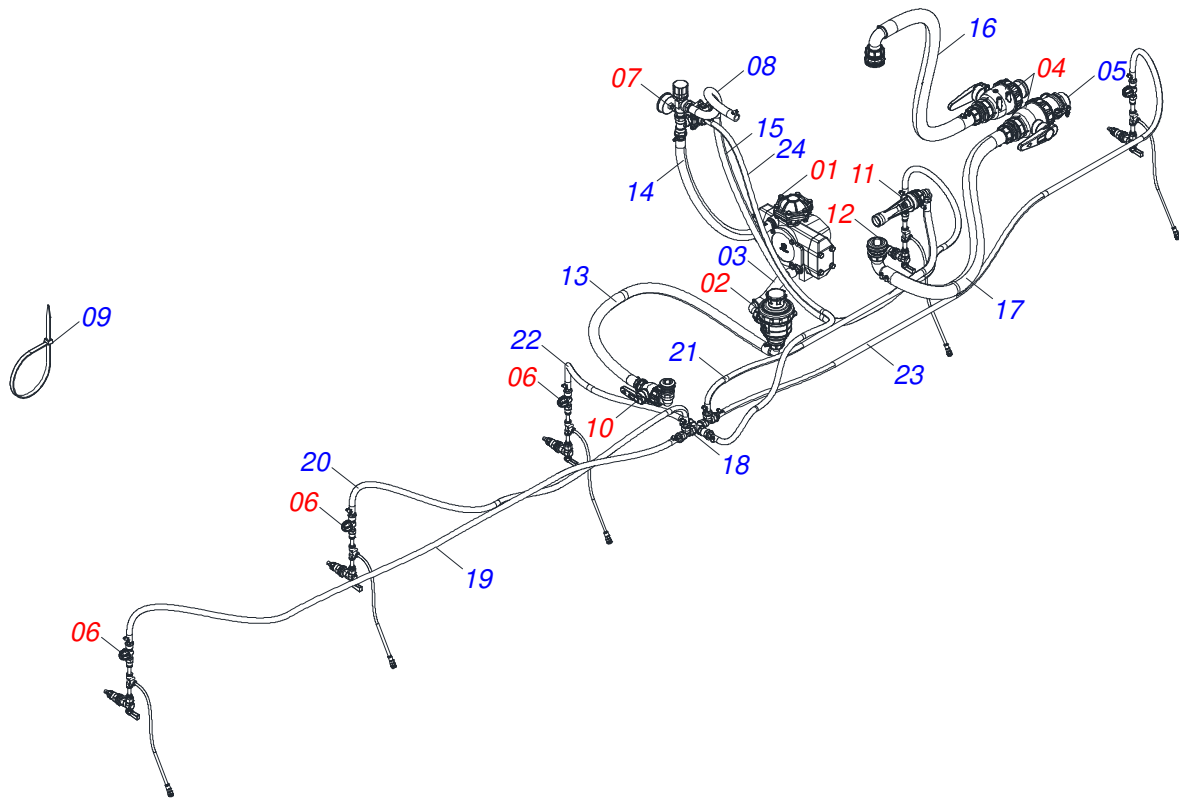
Item	Code	Description	See page	QT
01	0531060594	CENTRAL FRAME		01
02	0503030085	LOCK PIN		02
03	0503060100	SUPPORT INSTRUCTION MANUAL		01
04	0503010267	NYLON CLAMP 3,60 X 1,3 X 155 MM		01
05	0503010371	5/16" X 1" BOLT		01
06	0501010694	FLAT WASHER 32,50 X 75 X 4,75		01
07	0503010179	LOCK WASHER 5/16 ZN 1K01528		01
08	0503010337	NUT 5/16 UNC G.5 ZN		01
09	0503034004	ALUMINUM IDENTIFICATION DECAL		01
10	0503010001	RIVET 3,2 X 5,5		04
11	0503034078	LIFTING POINTS DECAL		04
12	0503031739	DANGER DECAL		01
13	0503031942	MANUAL SEAL DECAL		01
14	0503031428	READ MANUAL DECAL		01
15	0503033647	APPROVED DECAL		01
16	0503031565	CAUTION TRANSPORTATION DECAL		01
17	0503031827	LUBRICATE AND RETIGHTEN DAILY DECAL		01
18	0503013229	REFLECTIVE SIDE BAND		04
19	0521068187	SIDE FRAME		02
20	0521068183	ARTICLE AXLE SIDE FRAME		04
21		SYSTEM HYDRAULIC		
22	0521068182	FIXER AXLE CYLINDER		04
23	0503010025	3/8 SPRING WASHER		02
24	0503010237	3/8" X 1" BOLT		02
25	0503034216	EMBLEM		01
26	0503034537	BADGE ASPER		01
27	0503031896	DANGER DECAL		02
28	0503032930	DANGER DECAL		04
29	0521010574	C0.9" X 3.3" COUPLING SHAFT		02
30	0503010691	1/4" GREASE FITTING		08
31	0581015357	LATCH SHIPPING		02
32	0501068994	8,30 X 78 LOCK PIN		02

Item	Code	Description	See page	QT
33	0503030168	HITCH PIN CLIP		02
34	1902012702	UPPER CLAMP BODY		05
35	0503010180	7/16" SPRING WASHER		05
36	0503011173	7/16" X 2" BOLT		05
37	0501068706	DOUBLE CONNECTION		01
38	0511018012	HIDRAULIC ADAPTER		02
39	0501010984	10,50 X 27 X 3,00 FLAT WASHER		02
40	0503010026	3/8" NUT		02
41	0503010920	1/2 UNC X 1.1/2 C S G.5 ZN BOLT		08
42	0503010019	1/2" SPRING WASHER		08
43	0503010060	1/2 UNC G.5 ZN HEX NUT		08
44	0501091938	INSTRUCTION MANUAL		01
45	0591010119	STRAP RUBBER RESERVOIR		04
46	0521057566	PLOUGH SUPPORT	4	04
47	0591012531	SUPPOT LIFTING		01
48	0503034648	ADHESIVE LABEL		01
49	0521054328	AXLE 27,80 X EC 130 ASSY	5	02
50	0521054135	AXLE 25,00 X EC 130 ASSY	6	01



Item	Code	Description	See page	QT
01	0581014451	TANK FIXER RIBBON		02
02	0503010847	1/2" X 3.1/4" BOLT		08
03	0581014514	SLEEVE 19,5 X 25 X 40		08
04	0501010937	13,50 X 28 X 3,00 FLAT WASHER		16
05	0503010019	1/2" SPRING WASHER		08
06	0503010060	1/2 UNC G.5 ZN HEX NUT		08
07	0503010026	3/8" NUT		07
08	0503010025	3/8 SPRING WASHER		06
09	0501010984	10,50 X 27 X 3,00 FLAT WASHER		06
10	0503010751	C3/8" X 1.1/4" HEX BOLT G.5		07
11	1902012702	UPPER CLAMP BODY		04
12	0503011173	7/16" X 2" BOLT		04
13	0503010180	7/16" SPRING WASHER		04
14	0503013171	SEALING 1/2" X 10M 1J51066		01
15	0591012534	FLEXIBLE FIXING GLOVE		05
16	0521068872	DISTRIBUTOR TUBE		05
17	0521057546	RESERVOIR	15	01
18	0521067854	TANK FIXER RIBBON		02
19	0591010119	STRAP RUBBER RESERVOIR		04
20	0521057560	ENGINE WITH FULL LIMIT BLOCK	14	01
21	0591010733	COMMAND FIXING SUPPORT		01
22	0591012535	SUPPOT FIXING		05
23	0501012140	FLAT WASHER 16,50 X 40 X 4,00 ZN		05
24	0503010179	LOCK WASHER 5/16 ZN 1K01528		02
25	0503010337	NUT 5/16 UNC G.5 ZN		02
26	0503016506	5/16 UNC X 3/4 C S G.5 ZN BOLT		02
27	0591012533	SUPPORT FIXING VALVE SUPPLY		01
28	0503010849	3/8" X 1-1/2" BOLT		02
29	0503063115	PULVERIZATION KIT	34	01
30	0503010237	3/8" X 1" BOLT		04
31	0503015114	BOLT		03
32	0501010694	FLAT WASHER 32,50 X 75 X 4,75		03

Item	Code	Description	See page	QT
33	0503014371	M8 SPRING WASHER		09
34	0503011294	M 8 X 1,25 X 20 BOLT		06
35	0521057556	HOSE KIT		01
36	0501053834	MALE QUICK COUPLER	13	02
37	0503010267	NYLON CLAMP 3,60 X 1,3 X 155 MM		02



Item	Code	Description	See page	QT
01	0503063001	SEMI MOUNTED PUMP	17	01
02	0503062999	FILTER SUCTION 1-1 / 4 ASSY	18	01
03	0503035051	WINDFOOT 300 PSI BLACK PVC HOSE 1 X 250		01
04	0503063120	BALL VALVE	19	02
05	0503019630	CONNECTOR COUPLER		01
06	0503063118	BEAK OUTPUT		05
07	0503063000	MANUAL COMMAND	20	01
08	0503035048	WINDFOOT 300 PSI HOSE BLACK PVC 3/4 X 900		01
09	0503019497	3/4 HOSE CLAMP		01
10	0503063003	RESERVOIR OUTPUT ASSY	21	01
11	0503063004	AGITATOR KIT	22	01
12	0503063119	OUTPUT CONNECTION	23	02
13	0503035055	1" X 53" BLACK PVC 300 PSI WINDFOOT HOSE		01
14	0503035084	HOSE WINDFOOT 300 1 X 700		01
15	0503035050	WINDFOOT 300 PSI BLACK PVC HOSE 3/4 X 1500		01
16	0503035079	HOSE 1.1/2 X 1600		01
17	0503035056	1.1/2 X 1200 FLEX HOSE SPIRAL		01
18	0503063113	1E/5S COMMUNICATOR VASE		01
19	0503035080	1/2 X 3500 BLACK 300 PSI PVC WINDFOOT HOSE		01
20	0503035044	WINDFOOT 300 PSI HOSE BLACK PVC 1/2 X 2200		01
21	0503035044	WINDFOOT 300 PSI HOSE BLACK PVC 1/2 X 2200		01
22	0503035040	WINDFOOT 300 PSI HOSE PVC BLACK 1/2 X 900		01
23	0503035080	1/2 X 3500 BLACK 300 PSI PVC WINDFOOT HOSE		01
24	0503034996	HOSE WINDFOOT 300 PSI PVC BLACK 1/2 X 2000		01



civemasa

Technical Publications | Elaboration and Revision

LORENA ROCHA ALVES

www.civemasa.com.br

