

DISK HARROWS

GCLH-P 340
GCLH-P 340

Code: 0501093656
Series: S-0923
Revision: 00
Revision Date: DECEMBER/2023

PARTS
CATALOGUE


CIVEMASA

PRODUCTS

Code	Working Width	Description
0120460053		GCLH-P 340 45 X 34 X 9 DR DMO E 2.1/2 C/PN S-0923

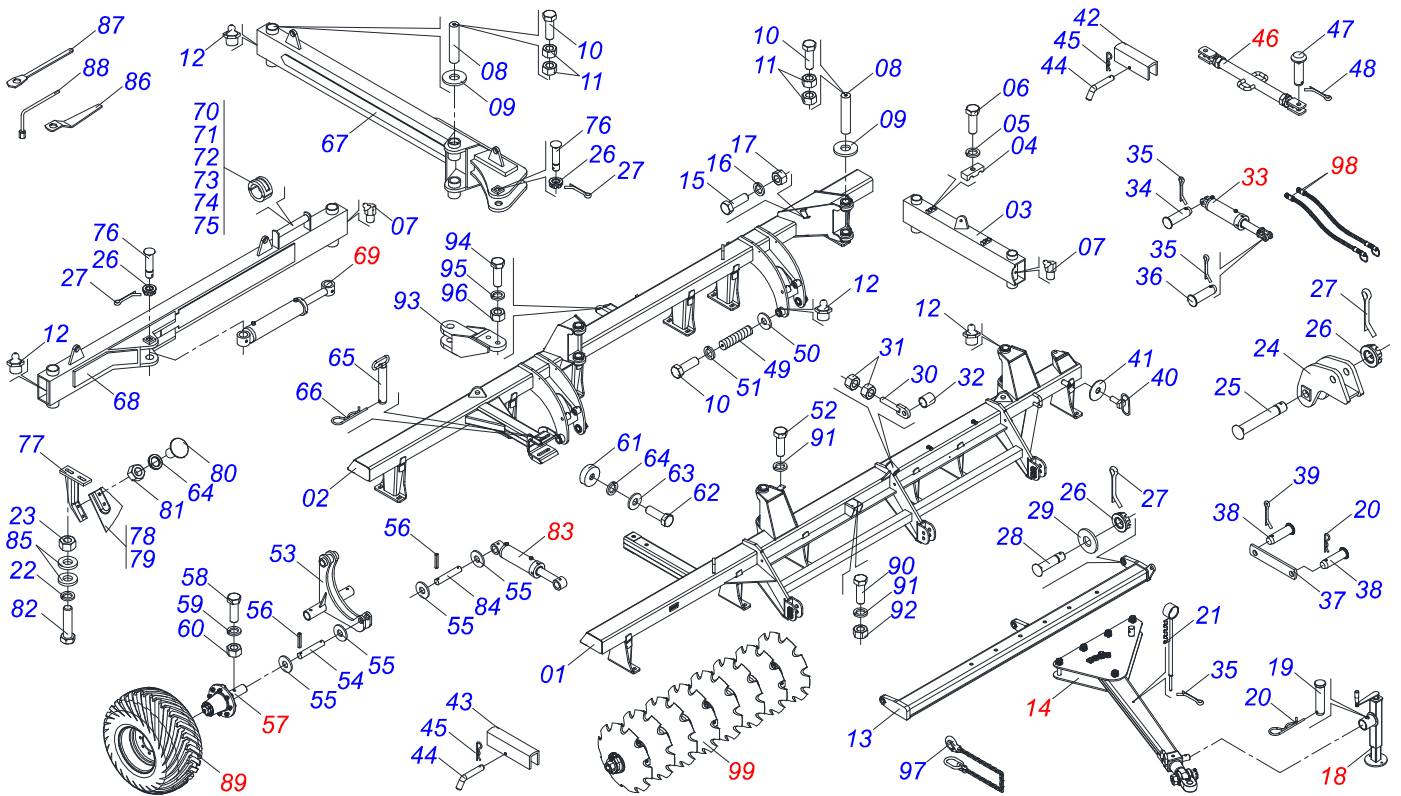
ATTENTION: IMPORTANT

CIVEMASA reserves the right to improve and/or modify the technical features of its products, without obligation to do the same with those products already sold and without prior knowledge of the dealer or the customer. The photos are only illustrative.



INDEX

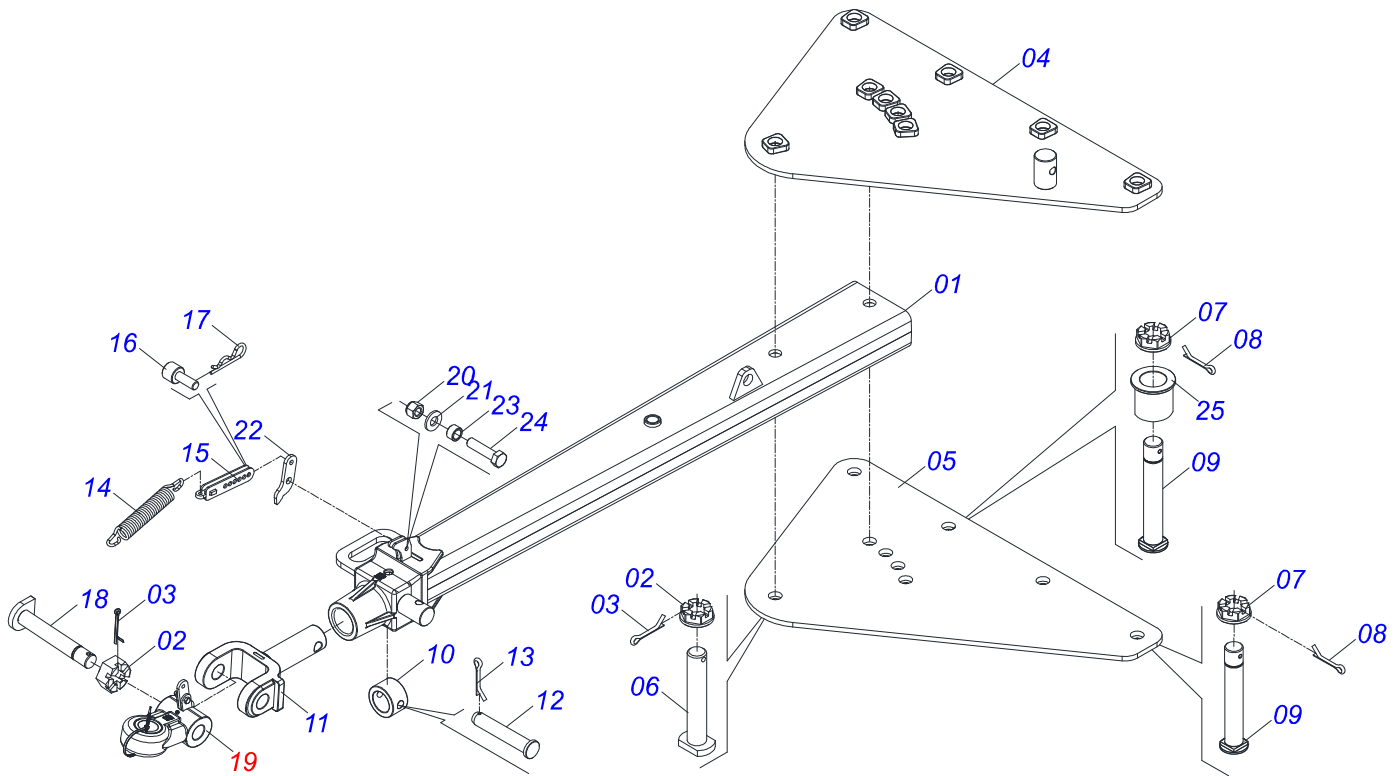
0909097024	ASSY FRAME	1
0521041823	ASSY TRACTION BAR (PIN 3)	2
0531040171	ASSY HITCH	3
0511048088	DRAWBAR JACK	4
0511058419	HYDRAULIC CYLINDER 50,80 X 101,60 X 514 X 206	5
0501054606	TURNBUCKLE ASSY	6
0501051885	CARRYING-WHEELS	7
0511050114	63,50 X 150 X 965 X 625 HYDRAULIC CYLINDER	8
0511050113	HYDRAULIC CYLINDER	9
0503060102	WHEEL AND TIRE 400/60 - 14L RIGHT	10
0909097025	HYDRAULIC CIRCUIT	11
0511043139	VALVE ASSY	12
0501055695	FLOW DIVIDING VALVE ASSY	13
0501055696	DISCHARGE VALVE OFS ASSY	14
0501053834	MALE QUICK COUPLER	15
0909097026	ASSY DISC GANG	16
0531041672	330 X 2.1/2 BEARING	17
0531053201	BEARING	18



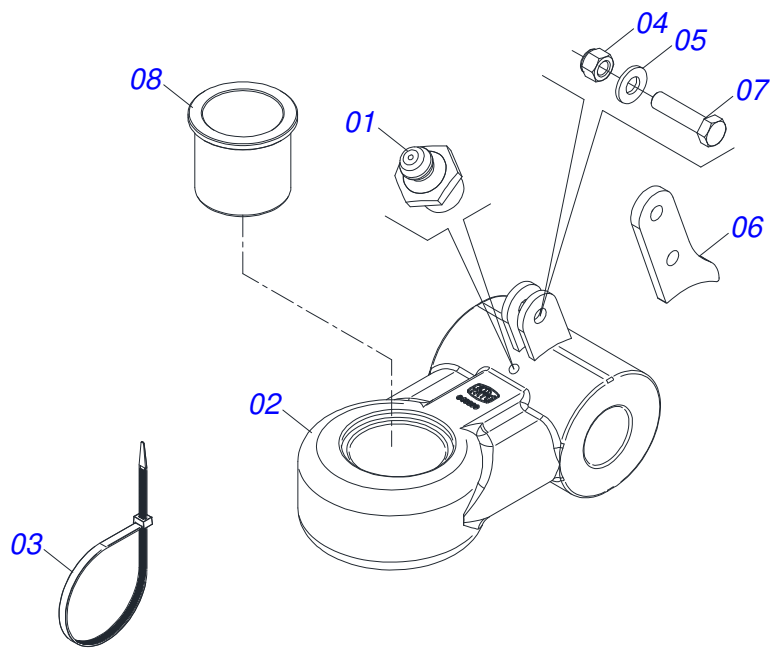
Item	Code	Description	See page	QT
01	0521063548	FRONT FRAME		01
02	0521063549	REAR FRAME		01
03	0511065374	JOIN		01
04	0502012702	BODY SUPPORT CLAMP		07
05	0503010180	7/16" SPRING WASHER		07
06	0503012555	SCREW 7/16 UNC X 2 CS RT G.7 ZN		07
07	0503010003	1845 GREASE FITTING		03
08	0541011899	2.9" X 20" COUPLING SHAFT		05
09	0511013244	FLAT WASHER		10
10	0503012660	1" X 4" BOLT		10
11	0503813635	NUT		20
12	0503010002	1800 GREASE FITTING		33
13	0521066770	(3740) HITCH BAR		01
14	0521041823	ASSY TRACTION BAR (PIN 3)	2	01
15	0503010373	SCREW 1/4 UNC X 2 CS G.2 ZN		02
16	0503010143	1/4" SPRING WASHER		02
17	0503010144	1/4" NUT		02
18	0511048088	DRAWBAR JACK	4	01
19	0561014251	COUPLING SHAFT		01
20	0503030012	HITCH PIN CLIP		02
21	0531061120	HOSE SUPPORT		01
22	0503010023	3/4" SPRING WASHER		91
23	0503010014	3/4" ZN G.5 (HEAVY) UNC HEX NUT		91
24	0511064656	DRAWBAR PIVOT		01
25	0521812053	1.5" X 8.6" AXLE		01
26	0501011301	1.1/2" UNC 6FPP 2.5/16" NUT		05
27	0503010010	SPLIT PIN 1/4" X 2.1/2"		05
28	0531018099	37,50 X 190 COUPLING SHAFT		02
29	0521011721	1.6" X 3.94" X 0.12" WASHER		03
30	0511064433	REGULATOR SPINDLE 1-3/4		01

Item	Code	Description	See page	QT
31	0501010333	1.3/4" NUT		02
32	0511019920	SLEEVE 32,70 X 38,80 X 25,40		01
33	0511058419	HYDRAULIC CYLINDER 50,80 X 101,60 X 514 X 206	5	01
34	0521012538	1.2" X 3.5" COUPLING SHAFT		01
35	0503010523	1/4" X 2" SPLIT PIN		02
36	0531019171	1.25" X 7" COUPLING SHAFT		01
37	0541011205	DRAWBAR LOCK SAFETY		02
38	0521010573	0.9" X 3.1" COUPLING SHAFT		02
39	0503010571	1/4" X 1.1/2" SPLIT PIN		01
40	0501069343	WRENCH FIXER		01
41	0521011722	FLAT WASHER		01
42	0551010332	TRANSPORT LOCK		01
43	0561016693	TRANSPORT LOCK		02
44	0541016844	FIXER LOCK		03
45	0503030285	HITCH PIN CLIP		02
46	0501054606	TURNBUCKLE ASSY	6	01
47	0521012868	1.4" X 5" PIVOT SHAFT		02
48	0503010534	3/8" X 2.1/2" SPLIT PIN		05
49	0531018062	COUPLING SHAFT		02
50	0521011565	FLAT WASHER		04
51	0503010012	1" SPRING WASHER		04
52	0503010237	3/8" X 1" BOLT		02
53	0511064655	CARRYNG-WHEEL SUPPORT		02
54	0531018101	1.2" X 6.3" PIVOT SHAFT		02
55	0501017779	FLAT WASHER 32 X 60 X 4,75		08
56	0503011877	0.3" X 2.4" SPRING PIN		08
57	0501051885	CARRYING-WHEELS	7	04
58	0503010547	1/2" X 4" BOLT		04
59	0503010019	1/2" SPRING WASHER		04
60	0503010060	1/2 UNC G.5 ZN HEX NUT		04
61	0521011481	FRAME BATTERY		01
62	0501010108	5/8" X 1" BOLT		01
63	0501012140	FLAT WASHER 16,50 X 40 X 4,00 ZN		52
64	0503010027	5/8 SPRING WASHER		115
65	0501069350	230 PIVOT SHAFT WITH PULL		01
66	0503031035	HITCH PIN CLIP		01
67	0511042420	REAR STABILIZER BAR ASSY		01
68	0511065375	FRONT STABILIZER BAR		01
69	0511050114	63,50 X 150 X 965 X 625 HYDRAULIC CYLINDER	8	01
70	0511042161	2.1/2" ROD STOP ASSY		01
71	0511042162	2.1/2" ROD STOP ASSY		01
72	0511042163	2.1/2" ROD STOP ASSY		01
73	0511042164	2.1/2" ROD STOP ASSY		01
74	0511042165	2.1/2" ROD STOP ASSY		01
75	0511042166	2.1/2" ROD STOP ASSY		01
76	0531018100	37,50 X 200 COUPLING SHAFT		02
77	0511064771	FRONT SCRAPER SUPPORT		45
78	0521013678	FRONT CLEANER		22
79	0521013679	REAR CLEANER		23
80	0503012195	5/8" NUT		90
81	0503010013	5/8" UNC G.5 ZN HEX NUT		114
82	0501010500	3/4" X 3" BOLT		90
83	0511050113	HYDRAULIC CYLINDER	9	02
84	0531018105	1.2" X 11.8" PIVOT SHAFT		02
85	0541010763	FLAT WASHER		180
86	0501011432	1-1/2" AND 1-5/8 GANG BOLT WRENCH		01
87	0501316941	KEY 2.1/8 AND 2.1/2		02

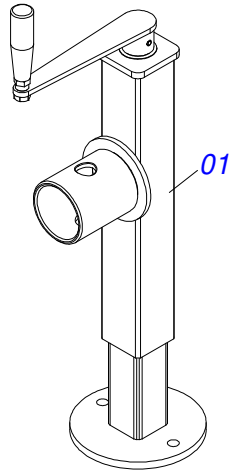
Item	Code	Description	See page	QT
88	0503016137	1-1/4" WRENCH CABLE CYLINDER		01
89	0503060102	WHEEL AND TIRE 400/60 - 14L RIGHT	10	04
90	0503010765	3/8" X 3" BOLT		02
91	0503010025	3/8 SPRING WASHER		04
92	0503010026	3/8" NUT		02
93	0511064810	REAR HITCH		01
94	0503011346	7/8" X 3-1/2" BOLT		02
95	0503010408	7/8" SPRING WASHER		02
96	0503010417	7/8" NUT		02
97	0503013150	1300 X 3/8" CHAIN		01
98		HYDRAULIC CIRCUIT	11	
99		ASSY DISC GANG	16	



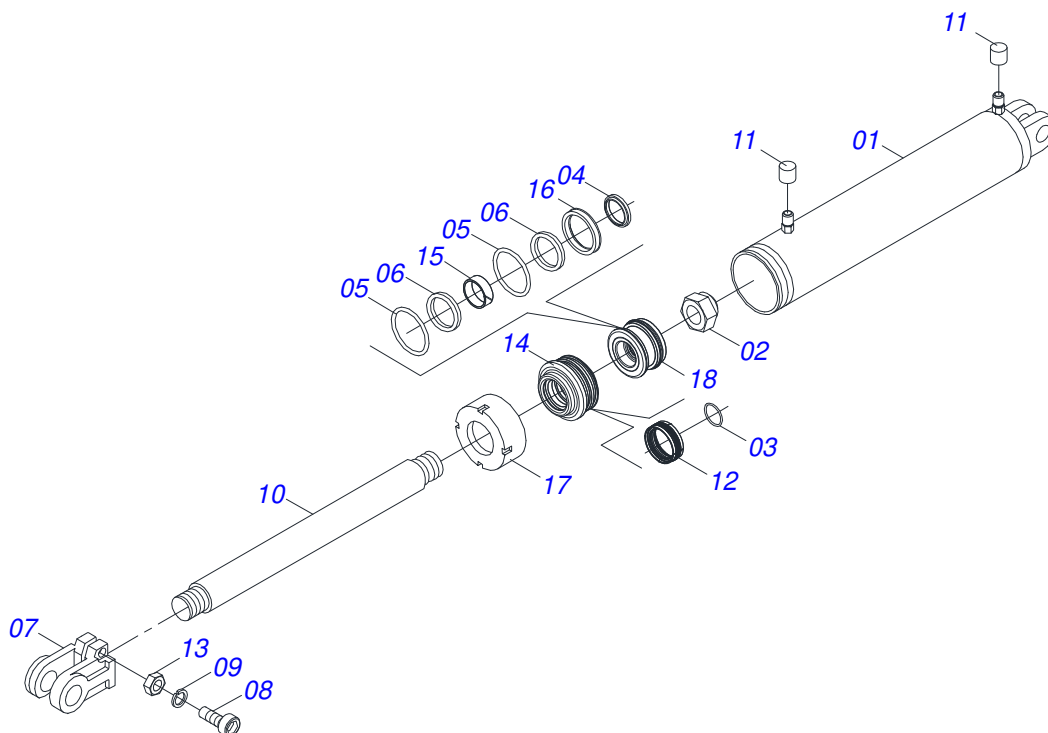
Item	Code	Description	See page	QT
01	0521068249	TRACTION BAR (AXLE 2)		01
02	0502040558	2" CASTLE NUT		02
03	0503010074	3/8" X 4" SPLIT PIN		02
04	0521068246	UPPER PLATE (AXLE 2)		01
05	0521068247	LOWER PLATE (AXLE 2)		01
06	0521068248	JUNCTION AXLE WITH LOCK		01
07	0501811301	CASTLE NUT		05
08	0503010010	SPLIT PIN 1/4" X 2.1/2"		05
09	0521811880	37,50 X 230 X PQ R.1./2 JUNCTION AXLE		05
10	0502040263	HITCH LOCK RING		01
11	1902040897	TRACTOR HITCH		01
12	0561017306	COUPLING SHAFT		01
13	0503010523	1/4" X 2" SPLIT PIN		01
14	0503031741	1.8" X 11.4" 0.3" TRACTION SPRING		01
15	0531061607	SPRING REGULATOR		01
16	0591014558	SPRING REGULATOR FIXER AXLE		01
17	0503030285	HITCH PIN CLIP		01
18	0531061122	AXIS ARTICULATOR		01
19	0531040171	ASSY HITCH	3	01
20	0503010589	UNC SELF ADJUSTING NUT 1/2" UNC ALTA G.5 ZN		01
21	0501010937	13,50 X 28 X 3,00 FLAT WASHER		01
22	0591014554	REAR SUPPORT FIXING SPRING		01
23	0591014552	SLEEVE		01
24	0503010740	BOLT 1/2 UNC X 2 CS G.5 ZN		01
25	0591013086	SLEEVE 52,8 X 78 X 76 (PIN 2")		01



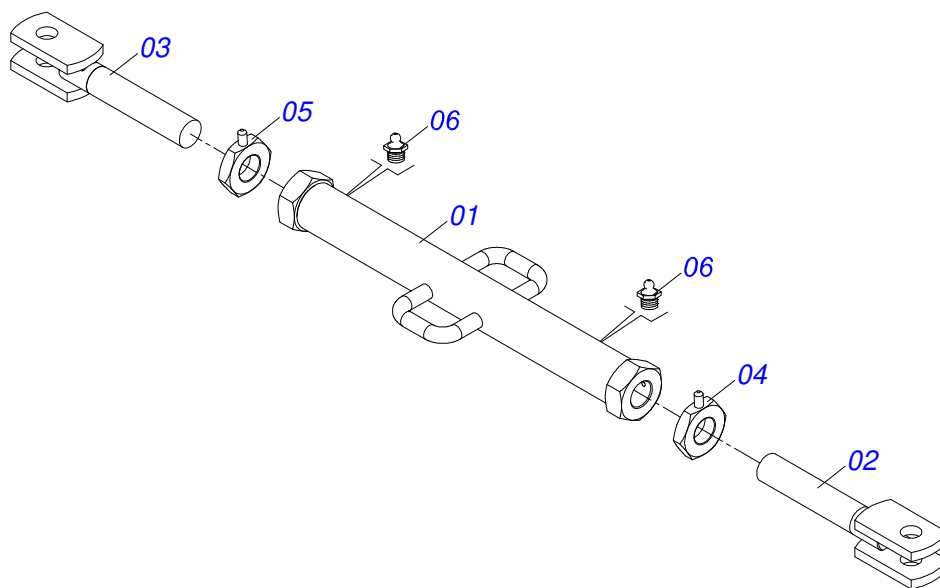
Item	Code	Description	See page	QT
01	0503010002	1800 GREASE FITTING		01
02	0531061121	HITCH		01
03	0503018829	NYLON CLAMP 7,8 X 1,8 X 390 MM		01
04	0503010589	UNC SELF ADJUSTING NUT 1/2" UNC ALTA G.5 ZN		01
05	0501010937	13,50 X 28 X 3,00 FLAT WASHER		01
06	0591014555	FRONT SUPPORT FIXING SPRING		01
07	0503010740	BOLT 1/2 UNC X 2 CS G.5 ZN		01
08	0591013448	SLEEVE 65,50 X 78 X 76 (PIN 2.1/2")		01



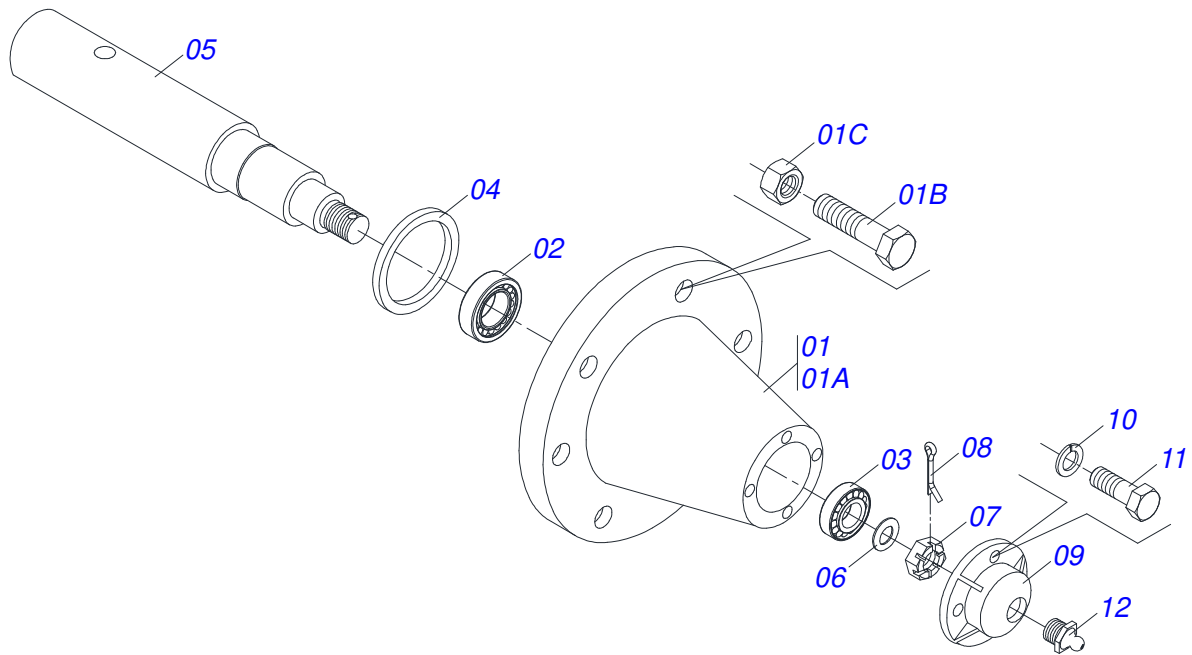
Item	Code	Description	See page	QT
01	0503062227	DRAWBAR JACK		01



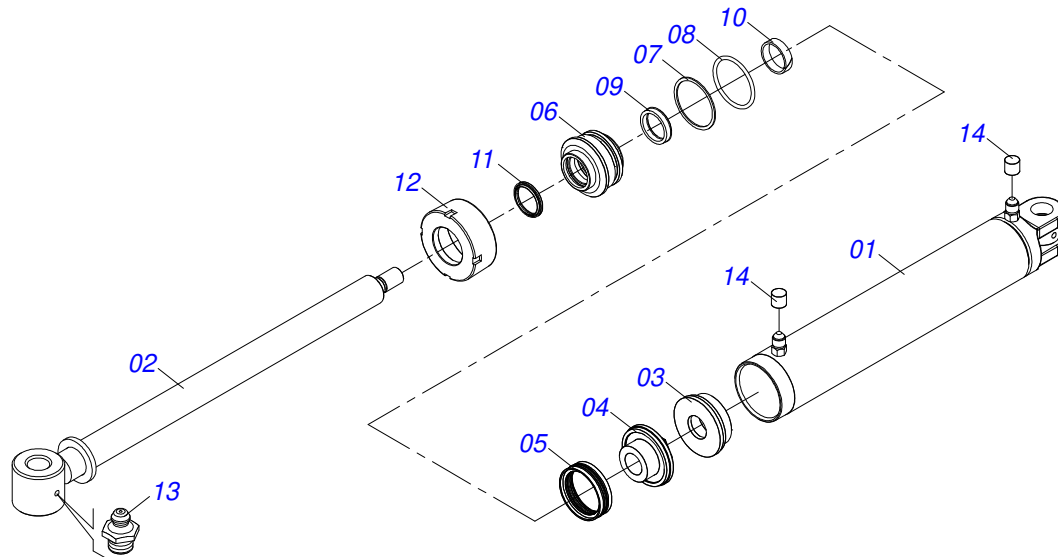
Item	Code	Description	See page	QT
01	0511061336	101,6 X 398 CYLINDER CASE		01
02	0503010817	SELF LOCKING NUT 1.1/4 UNF ALTA G.5 ZN		01
03	0503010345	2-218 N 3006-9B O'RING		01
04	0503015636	SCRAPER SEAL		01
05	0503010338	2-342 N 3006-9B O'RING		02
06	0503011061	8-342 BACK-UP RING		02
07	0502040747	32.54 CLEVIS CLAMP		01
08	0503011094	BOLT 3/8" UNC X 2" C C S I 12.9		01
09	0503011443	SPRING WASHER 3/8"		01
10	0521010422	HYDRAULIC CYLINDER TURNBUCKLE		01
11	0503030384	CON PLUG N-001		02
12	0503015633	SELEMASTER SEALING		01
13	0503010026	3/8" NUT		01
14	0581010678	50,80 X 101 RING SUPPORT		01
15	0503018025	RING GUIDE W2-2250-750		01
16	0503018026	GASKET 1870-2000-375 B POLYMAX		01
17	0502012822	END CAP 4"		01
18	0502012842	50,80 X 101,60 PISTON		01
19	0511032511R	HYDRAULIC CYLINDER REPAIR KIT		01



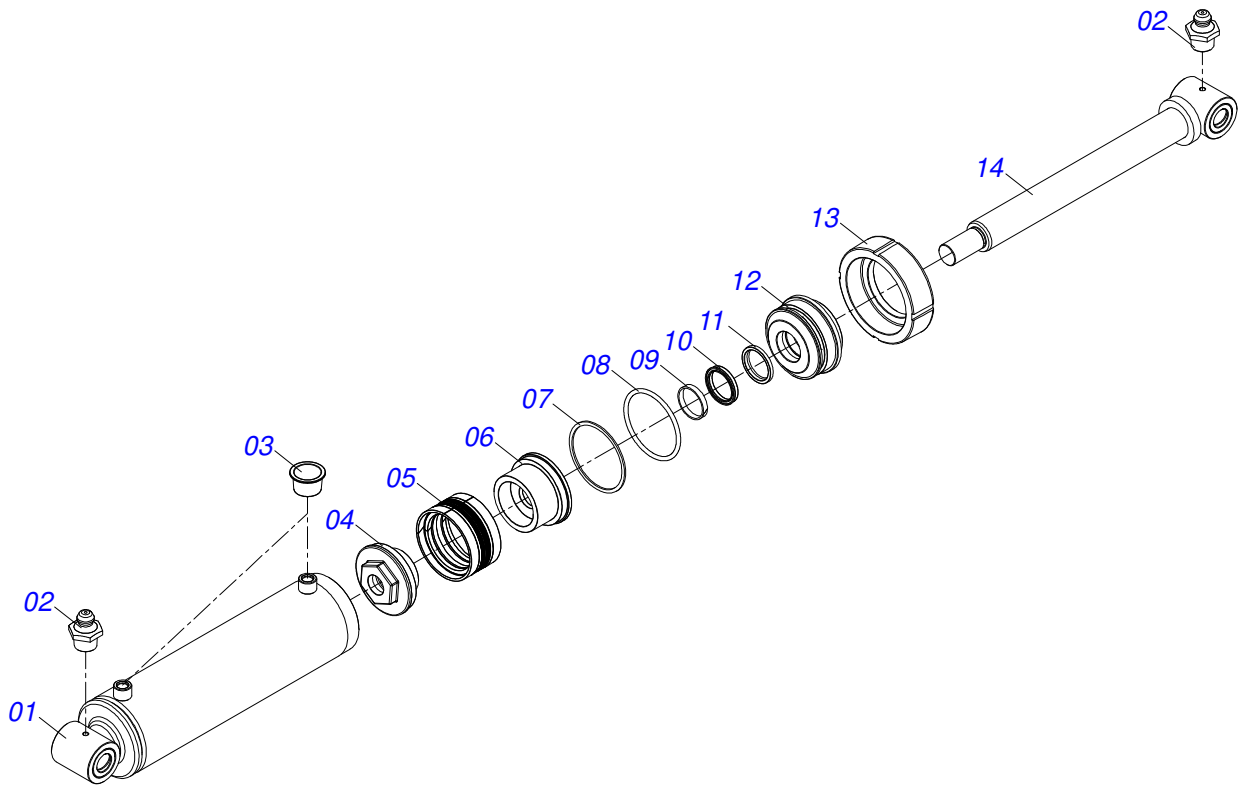
Item	Code	Description	See page	QT
01	0511064657	JOIN TURNBUCKLE		01
02	0501069333	JACK CRANK		01
03	0501069334	JACKET		01
04	0501069331	LOCKNUT WITH LEFT HANDLER R 2-1/8		01
05	0501069330	LOCKNUT WITH RIGHT HANDLER R 2-1/8		01
06	0503010002	1800 GREASE FITTING		02



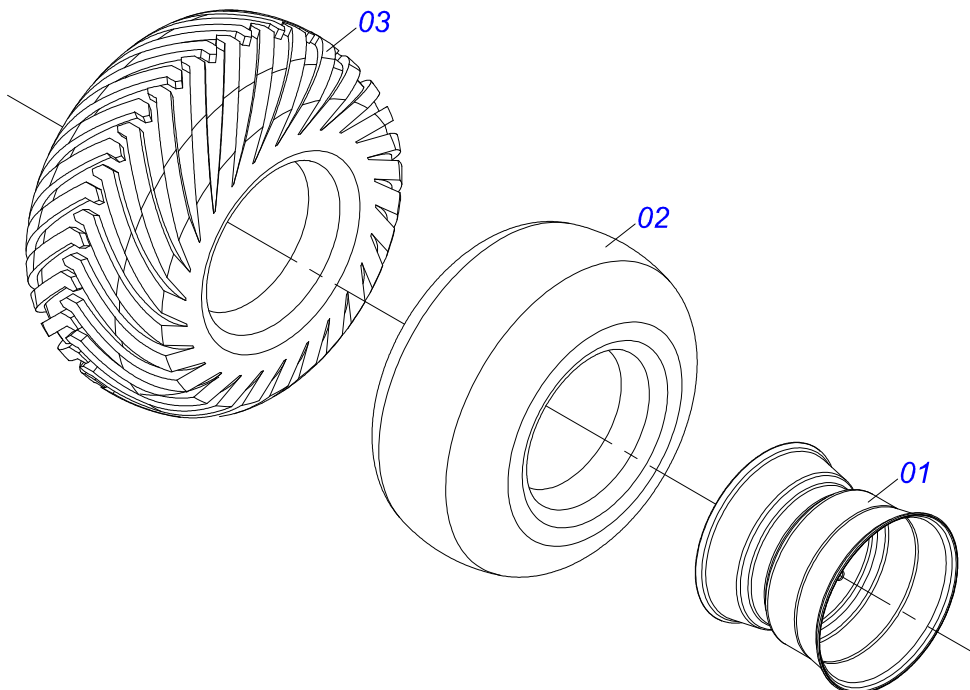
Item	Code	Description	See page	QT
01	0501110738	CARRYING WHEEL HUB 21FT		01
01A	0502012260	TRANSPORT CARRYING-WHEEL HUB		01
01B	0503010064	5/8 UNF CONIC NUT		08
01C	0501010186	WHEEL BOLT 5/8"UNF X 2.1/8CR		08
02	0503011156	2780/2720 IMP ROLLER BEARING		01
03	0503010008	3780/3720 ROLLER BEARING		01
04	0503013314	RETAINER 5166-GB 63,5 X 110 X 13 ARCA		01
05	0511012494	SPINDLE		01
06	0511012492	FLAT WASHER		01
07	0503030009	1" CASTLE NUT		01
08	0503010018	5/32" X 1-1/2" SPLIT PIN		01
09	0502020591	PROTECCION COVER		01
10	0503011444	SPRING WASHER 5/16"		04
11	0503010358	5/16" X 5/8" BOLT		04
12	0503010002	1800 GREASE FITTING		01



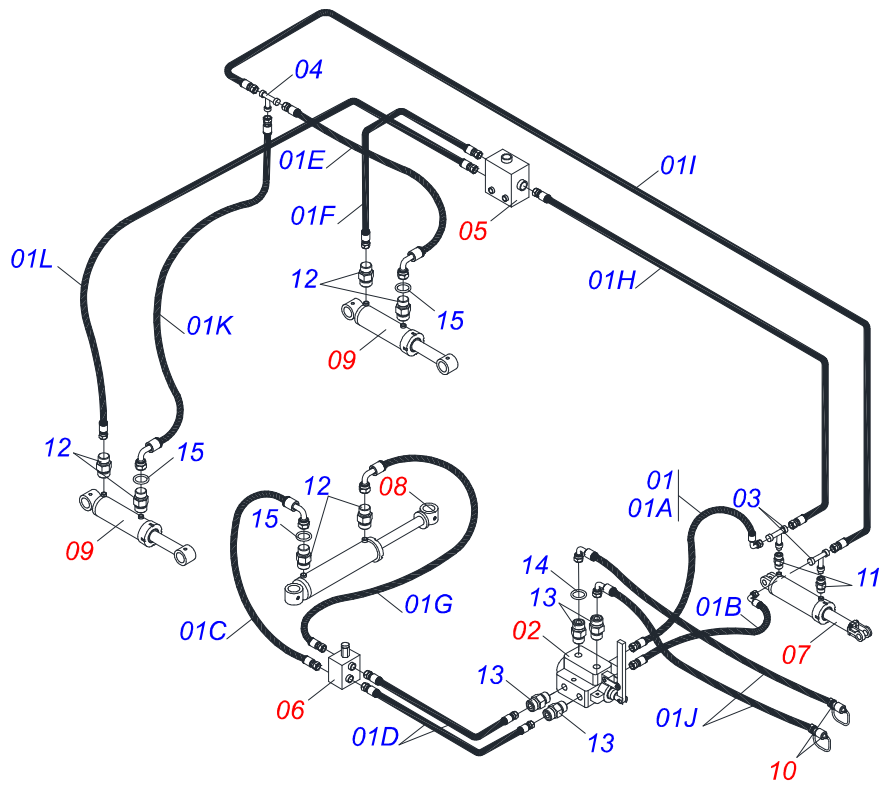
Item	Code	Description	See page	QT
01	0511065049	6" X 31" CYLINDER CASE		01
02	0511065050	2.5" X 34" TURNBUCKLE		01
03	0561016818	PISTON BODY		01
04	0502012658	PISTON BODY		01
05	0503015912	SELEMASTER SEALING		01
06	0502012375	TURNBUCKLE GUIDE		01
07	0503010704	2-357 N 3006-9B O'RING		01
08	0503010971	W2-2750-500 PK RING G.I		01
09	0503014960	GASKET		01
10	0503012497	RING (TEFLON)		01
11	0503010287	D-2500 SCRAPER RING		01
12	0541010615	MOVABLE COVER		01
13	0503010002	1800 GREASE FITTING		02
14	0503030384	CON PLUG N-001		02



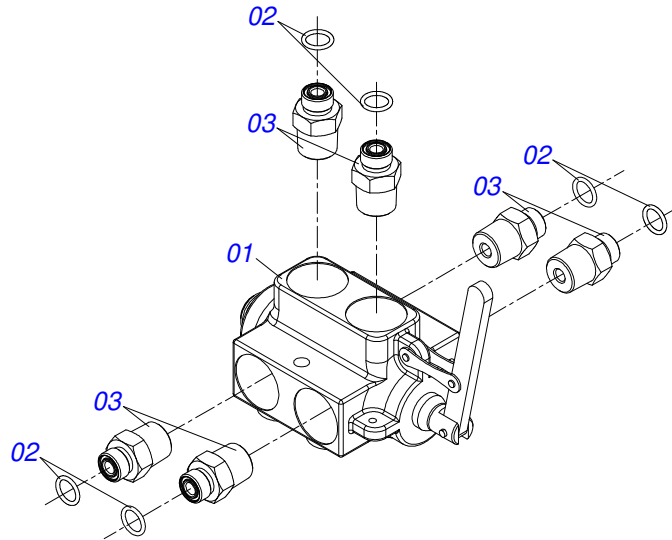
Item	Code	Description	See page	QT
01	0521061746	CYLINDER CASE		01
02	0503010002	1800 GREASE FITTING		02
03	0503030384	CON PLUG N-001		02
04	0502012645	PISTON BODY 2" X 5"		01
05	0503015643	SEAL PCK 001270-N8CO		01
06	0561016583	PISTON BODY		01
07	0503011062	8-425 BACK-UP RING		01
08	0503010351	2-425 N 3006-9B O'RING		01
09	0503015641	WEAR RING		00
10	0503015642	U-CUP SEALING RUUB000970		01
11	0503015715	SCRAPER SEALING		01
12	0502012646	RING SUPPORT 2.1/8" X 5"		01
13	0502010382	5" END CAP		01
14	0521061684	56,98 X 590,50 TURNBUCKLE		01



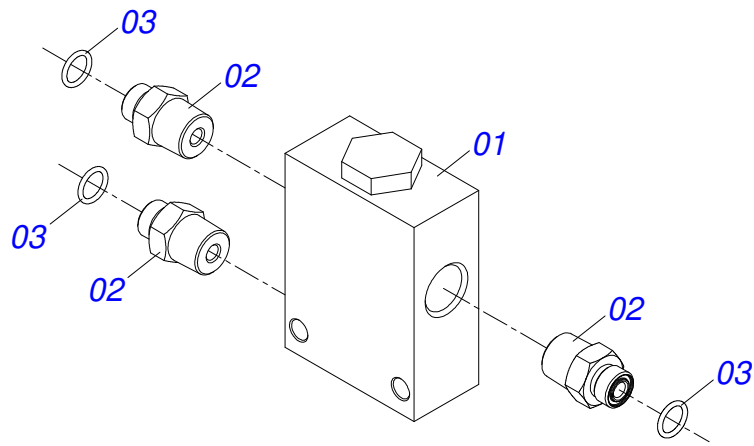
Item	Code	Description	See page	QT
01	0501069483	WHEEL 13 X 15,5 - 21FT		01
02	0503012112	400/60 - 15.5 TR 15 INNER TIRE		01
03	0503013119	CANVAS TIRE 400/60-15,5-T404-14L TRELEBORG		01



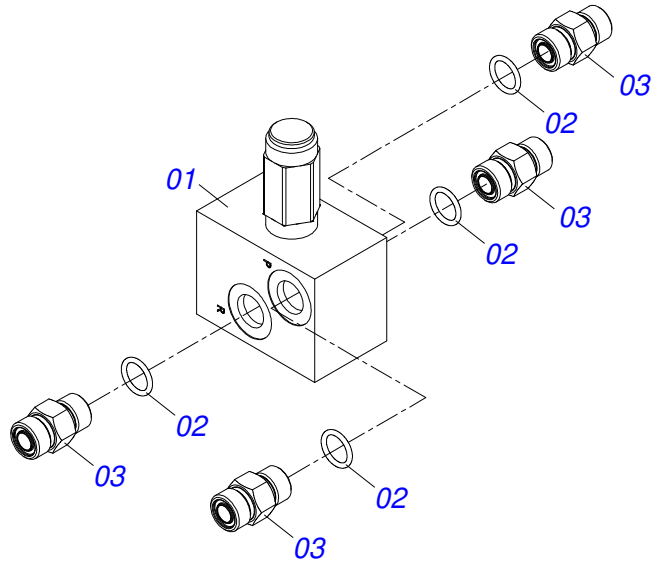
Item	Code	Description	See page	QT
01	0501055906	HOSE GAME		01
01A	0501080971	1/2" X 33.46" TR-TC HOSE ASSY		01
01B	0501080984	1/2" X 39.37" TR-TC HOSE ASSY		01
01C	0501080985	1/2" X 47.24" TR-TC HOSE ASSY		01
01D	0501080911	1/2" X 51.18" TR-TR OFS HOSE ASSY		02
01E	0501080986	1/2" X 55.12" TR-TC HOSE ASSY		01
01F	0501080987	1/2" X 59.06" TR-TR HOSE ASSY		01
01G	0501080988	1/2" X 77" TR-TC HOSE ASSY		01
01H	0501080989	1/2" X 15.4" TR-TR HOSE ASSY		01
01I	0501080990	1/2" X 185" TR-TR HOSE ASSY		01
01J	0501080991	1/2" X 189" TC-TM HOSE ASSY		02
01K	0501080992	1/2" X 200" TR-TC HOSE ASSY		01
01L	0501080993	1/2" X 205" TR-TR HOSE ASSY		01
02	0511043139	VALVE ASSY	12	01
03	0503013272	T 1/2" MALE ADAPTER ASSY		02
04	0503013273	T 1/2" MALE ADAPTER		01
05	0501055695	FLOW DIVIDING VALVE ASSY	13	01
06	0501055696	DISCHARGE VALVE OFS ASSY	14	01
07	0511058419	HYDRAULIC CYLINDER 50,80 X 101,60 X 514 X 206	5	01
08	0511050114	63,50 X 150 X 965 X 625 HYDRAULIC CYLINDER	8	01
09	0511050113	HYDRAULIC CYLINDER	9	02
10	0501053834	MALE QUICK COUPLER	15	02
11	0503032031	3/4" UNF REDUCTION NIPPLE		02
12	0503030923	3/4" UNF X 13/16UN OFS X 40 NIPPLE		06
13	0503032098	13/16" NIPPLE		06
14	0503010190	2-114 N 3006-9B O'RING		14
15	0503011030	2-014 N 3006-9B O'RING		28



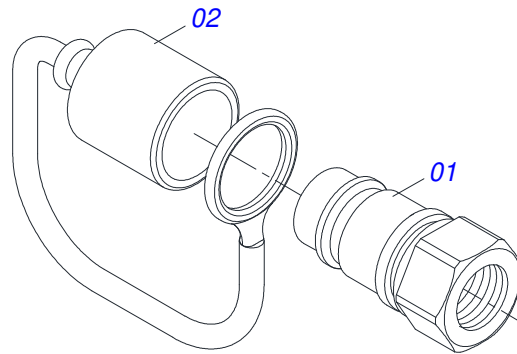
Item	Code	Description	See page	QT
01	0503013319	VALVE ASSY		01
02	0503032098	13/16" NIPPLE		06
03	0503010190	2-114 N 3006-9B O'RING		06



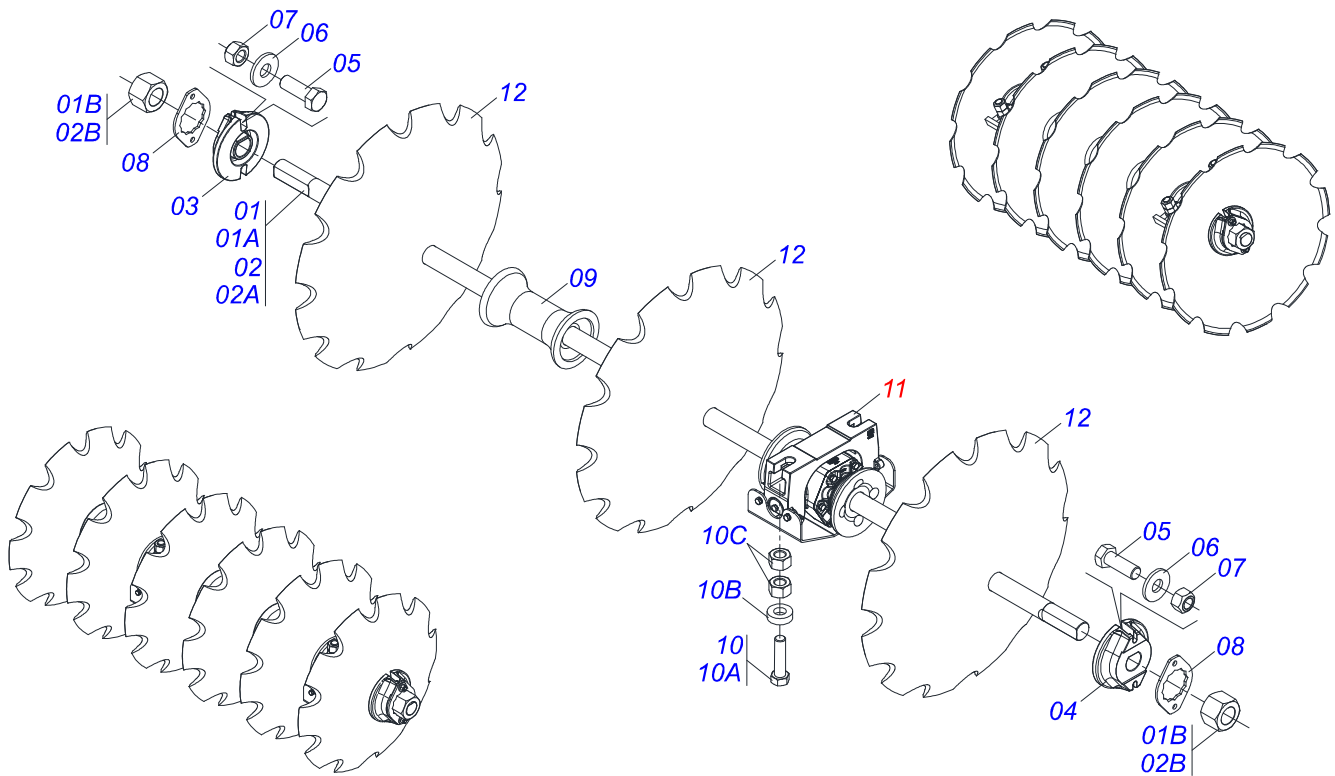
Item	Code	Description	See page	QT
01	0503012481	FLOW DIVIDING VALVE		01
02	0503030923	3/4" UNF X 13/16UN OFS X 40 NIPPLE		03
03	0503010190	2-114 N 3006-9B O'RING		03



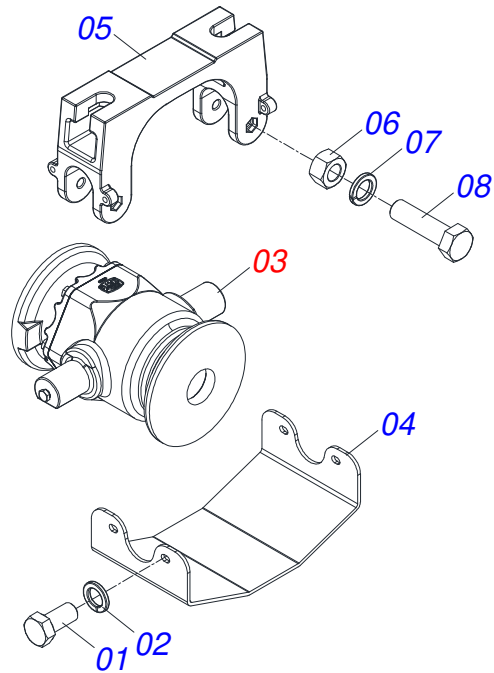
Item	Code	Description	See page	QT
01	0503010919	DISCHARGE VALVE		01
02	0503010190	2-114 N 3006-9B O'RING		04
03	0503030923	3/4" UNF X 13/16UN OFS X 40 NIPPLE		04



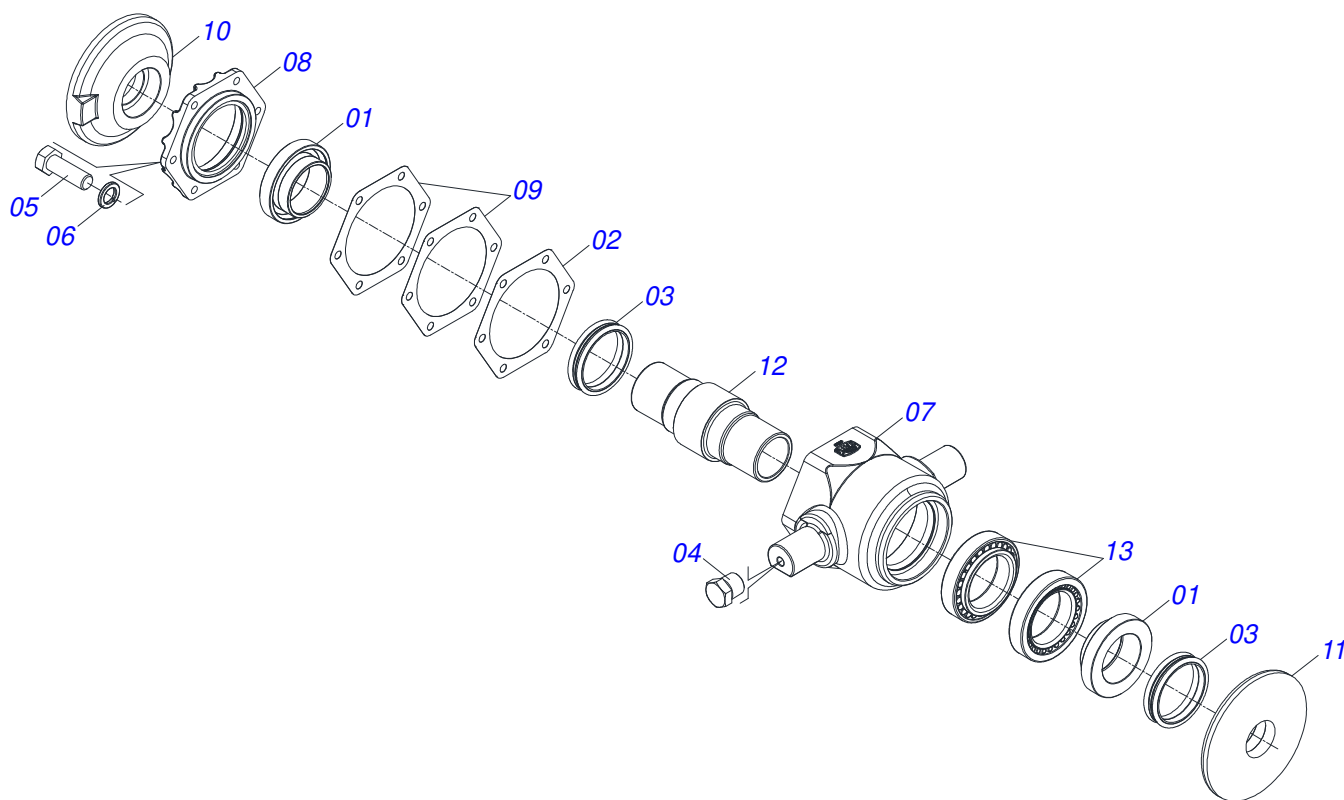
Item	Code	Description	See page	QT
01	0503011627	MALE QUICK COUPLER AGR 1/2 NPT		01
02	0503011882	MALE QUICK COUPLER CAP		01



Item	Code	Description	See page	QT
01	0511042421	2-1/2" X 91.7" AXLE WITH NUTS		03
01A	0541011893	2-1/2" X 91.7" AXLE		03
01B	0502040064	2.1/2" SNC X 70 99 NUT		06
02	0511042422	2-1/2" X 105" AXLE WITH NUTS		03
02A	0541011894	2-1/2" X 105" AXLE		03
02B	0502040064	2.1/2" SNC X 70 99 NUT		06
03	0502010592	2.1/2" INNER AXLE WASHER		06
04	0502010593	2.1/2" EXTERNAL AXLE WASHER		06
05	0503010232	5/8" X 1.3/4" BOLT		24
06	0501012140	FLAT WASHER 16,50 X 40 X 4,00 ZN		24
07	0503012412	5/8" UNC SELF LOCKING NUT		32
08	0541010368	NUT LOCK		16
09	0502011425	13" X 2-1/2" SPACER		21
10	0531040741	ASSY 1.1/4 UNC X 5 BOLT		32
10A	0503011347	1.1/4" X 5" BOLT		01
10B	0571010448	32,50 X 75 X 16 SLEEVE		01
10C	0501010087	1.1/4" NUT		02
11	0531041672	330 X 2.1/2 BEARING	17	16
12	0602046001	DR 34 X 9 C120AF04FR2.9/16 12REC		45



Item	Code	Description	See page	QT
01	0503010834	1/2 X 1 BOLT		04
02	0503010019	1/2" SPRING WASHER		04
03	0531053201	BEARING	18	01
04	0591011532	OSCILLATING BEARING COVER		01
05	0502013022	CENTRAL OSCILLATING BEARING SUPPORT		01
06	0503010013	5/8" UNC G.5 ZN HEX NUT		02
07	0503010027	5/8 SPRING WASHER		02
08	0503010480	5/8" X 4.3/4" BOLT		02



Item	Code	Description	See page	QT
01	0502040119	SEAL RETAINER		02
02	0503035599	205 X 160,5 X 0,20 SEAL GASKET		01
03	0503030029	RETAINER LP JB-259		02
04	0503010856	OIL PLUG R 3/8 BSPT		02
05	0503010920	1/2 UNC X 1.1/2 C S G.5 ZN BOLT		06
06	0503011440	SPRING WASHER		06
07	0502013021	BEARING BOX		01
08	0502013005	BEARING HUB LID		01
09	0503035600	205 X 160,5 X 0,40 SEAL GASKET		02
10	0502012239	BEARING OUTER FLANGE		01
11	0502012238	BEARING INNER FLANGE		01
12	0502040204	AXLE		01
13	0503010482	594A/592A ROLLER BEARING		02
14	3402301275	TATU OIL		0.65 Lts



civemasa

Technical Publications | Elaboration and Revision
LUIZ CANDIDO

www.civemasa.com.br

