

DISK HARROWS

GCLH 8013
GCLH 8013

Code: 0501093653
Series: S-0923
Revision: 00
Revision Date: JULY/2024

PARTS
CATALOGUE

CIVEMASA

A solid orange horizontal bar is positioned at the top left of the page, above the "PRODUCTS" heading.

PRODUCTS

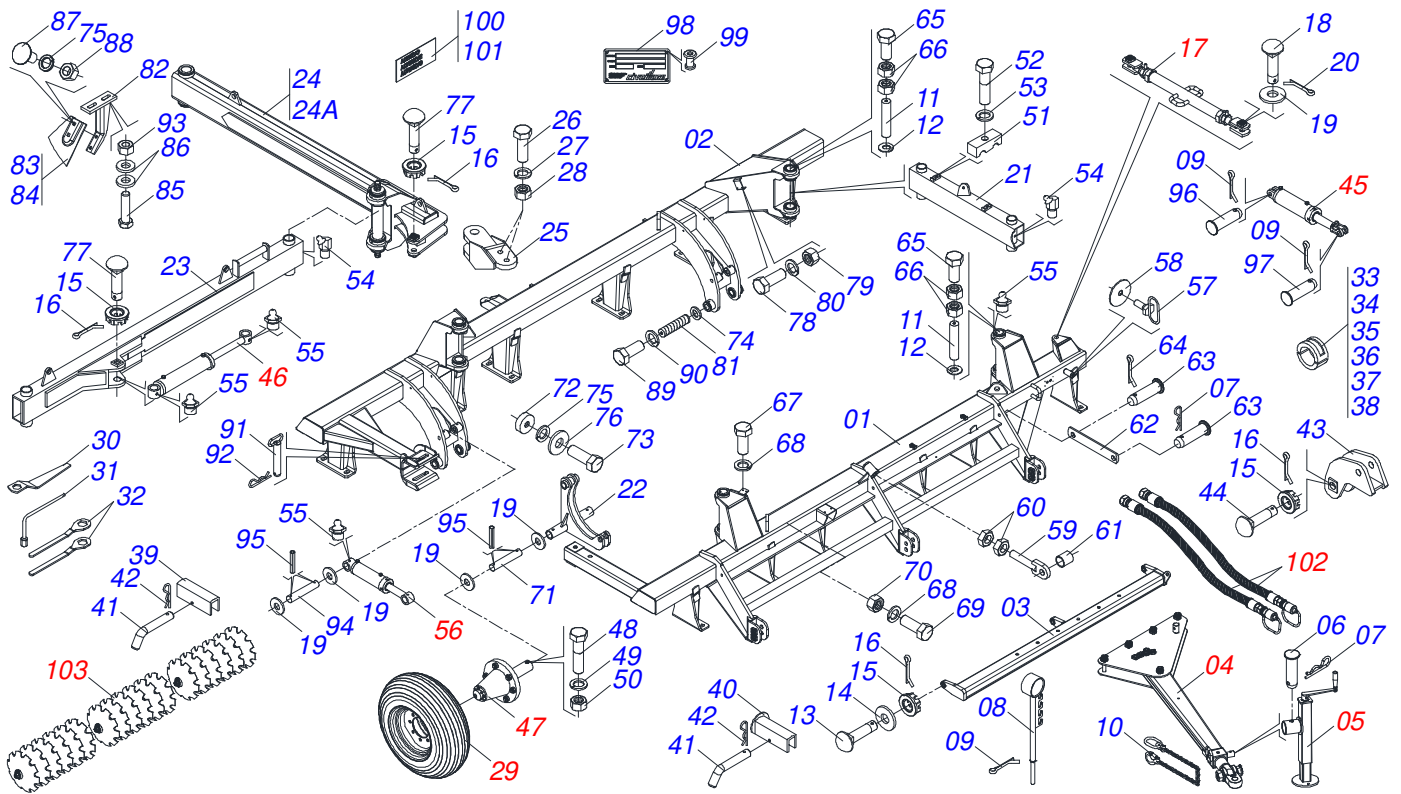
Code	Working Width	Description
0120460055		GCLH 8013 35X34X9 DMO DR E 2.1/2 PN400/60 S-0923
0120460054		GCLH 8013 41X34X9 DMO DR E 2.1/2 PN400/60 S-0923

ATTENTION: IMPORTANT

CIVEMASA reserves the right to improve and/or modify the technical features of its products, without obligation to do the same with those products already sold and without prior knowledge of the dealer or the customer. The photos are only illustrative.

INDEX

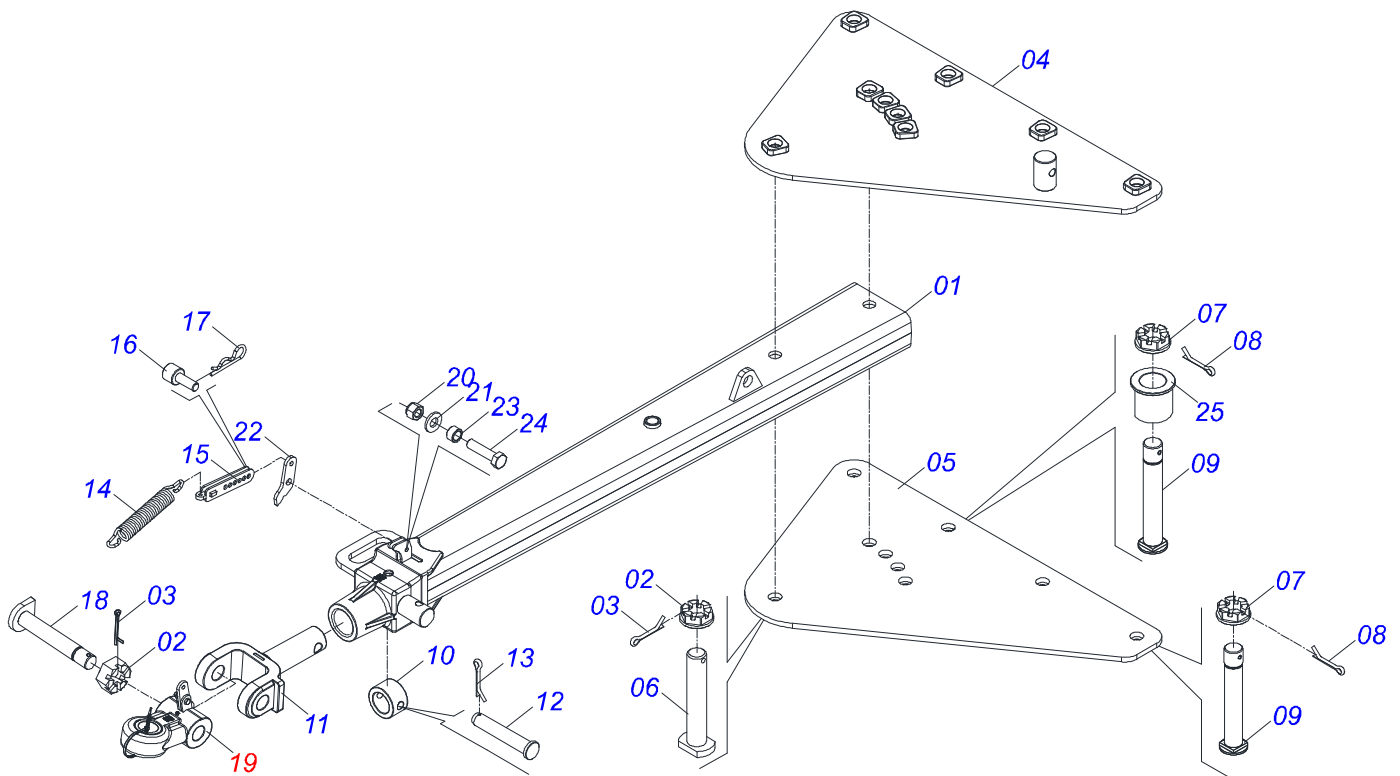
0909094005	ASSY FRAME	1
0521041823	TRACTION BAR ASSY (PIN 3")	2
0531040171	HITCH ASSY	3
0511048088	DRAWBAR JACK	4
0501054606	TURNBUCKLE ASSY	5
0503060102	WHEEL AND TIRE 400/60 - 14L RIGHT	6
0511058419	HYDRAULIC CYLINDER 50,80 X 101,60 X 514 X 206	7
0511050114	63,50 X 150 X 965 X 625 HYDRAULIC CYLINDER	8
0501051885	CARRYING-WHEELS	9
0511050113	HYDRAULIC CYLINDER	10
0909097312	HYDRAULIC CIRCUIT ASSEMBLY	11
0511043139	VALVE ASSY	12
0501055695	FLOW DIVIDING VALVE ASSY	13
0501055696	DISCHARGE VALVE OFS ASSY	14
0501053834	MALE QUICK COUPLER	15
0909097313	DISC GANG ASSY	16
0531041672	330 X 2.1/2 BEARING	17
0531053201	BEARING	18



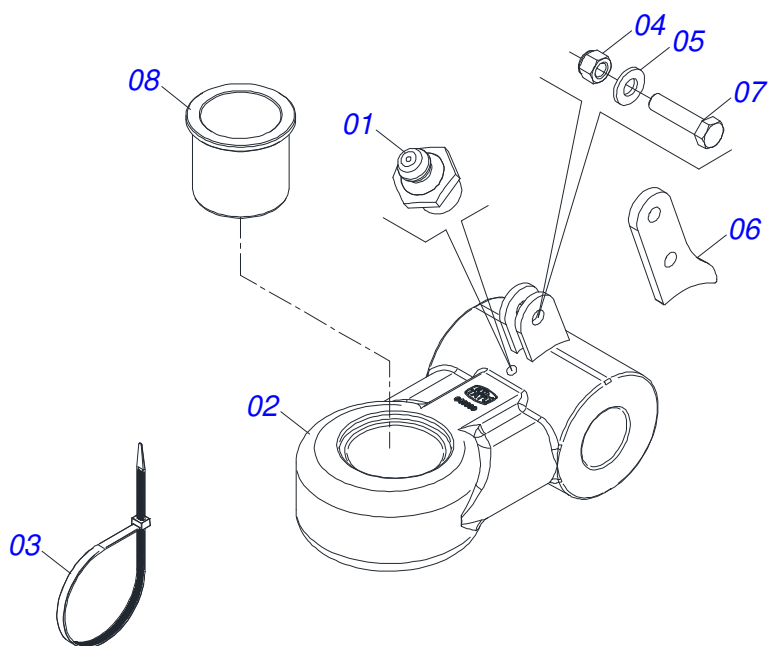
Item	Code	Description	See page	035	041
001	0521069683	FRONT FRAME - 35D		001	000
001.	0521063828	FRONT FRAME - 41D		000	001
002	0521069684	REAR FRAME - 35D		001	000
002.	0521063829	REAR FRAME - 41D		000	001
003	0521066770	(3740) HITCH BAR		001	001
004	0521041823	TRACTION BAR ASSY (PIN 3")	2	001	001
005	0511048088	DRAWBAR JACK	4	001	001
006	0561014251	COUPLING SHAFT		001	001
007	0503030012	HITCH PIN CLIP		002	002
008	0531061120	HOSE SUPPORT		001	001
009	0503010523	1/4 X 2 SPLIT PIN		003	003
010	0503013150	1300 X 3/8" CHAIN		001	001
011	0541011899	2.9" X 20" COUPLING SHAFT		005	005
012	0511013244	FLAT WASHER		008	008
013	0531018099	37,50 X 190 COUPLING SHAFT		002	002
014	0521011721	1.6" X 3.94" X 0.12" WASHER		003	003
015	0501011301	1.1/2" UNC 6FPP 2.5/16" NUT		003	003
016	0503010010	1/4" X 2.1/2" SPLIT PIN		005	005
017	0501054606	TURNBUCKLE ASSY	5	001	001
018	0521012868	1.4" X 5" PIVOT SHAFT		002	002
019	0501017779	FLAT WASHER 32 X 60 X 4,75		008	008
020	0503010534	3/8" X 2.1/2" SPLIT PIN		005	005
021	0511065374	JOIN		001	001
022	0511064655	CARRYNG-WHEEL SUPPORT		002	002
023	0511065375	FRONT STABILIZER BAR		001	001
024	0511042420	REAR STABILIZER BAR ASSY		001	001
024A	0511065377	REAR STABILIZER BAR		001	001
025	0511064810	REAR HITCH		001	001
026	0503011346	7/8" X 3-1/2" BOLT		002	002
027	0503010408	7/8" SPRING WASHER		002	002
028	0503010417	7/8" NUT		002	002
029	0503060102	WHEEL AND TIRE 400/60 - 14L RIGHT	6	004	004

Item	Code	Description	See page	035	041
030	0501011432	1-1/2" AND 1-5/8 GANG BOLT WRENCH		001	001
031	0503016137	1-1/4" WRENCH CABLE CYLINDER		001	001
032	0501316941	KEY 2.1/8 AND 2.1/2		002	002
033	0511042161	2.1/2" ROD STOP ASSY		001	001
034	0511042162	2.1/2" ROD STOP ASSY		001	001
035	0511042163	2.1/2" ROD STOP ASSY		001	001
036	0511042164	2.1/2" ROD STOP ASSY		001	001
037	0511042165	2.1/2" ROD STOP ASSY		001	001
038	0511042166	2.1/2" ROD STOP ASSY		001	001
039	0551010332	TRANSPORT LOCK		001	001
040	0561016693	TRANSPORT LOCK		002	002
041	0541016844	FIXER LOCK		003	003
042	0503030285	HITCH PIN CLIP		003	003
043	0511064656	DRAWBAR PIVOT		001	001
044	0521012053	1.5" X 8.6" AXLE		001	001
045	0511058419	HYDRAULIC CYLINDER 50,80 X 101,60 X 514 X 206	7	001	001
046	0511050114	63,50 X 150 X 965 X 625 HYDRAULIC CYLINDER	8	001	001
047	0501051885	CARRYING-WHEELS	9	004	004
048	0503010547	1/2" X 4" BOLT		004	004
049	0503010019	1/2" SPRING WASHER		004	004
050	0503010060	1/2 UNC G.5 ZN HEX NUT		004	004
051	0502012702	BODY SUPPORT CLAMP		007	007
052	0503012555	7/16" UNC X 2" CS RT G.7 ZN SCREW		007	007
053	0503010180	7/16" SPRING WASHER		007	007
054	0503010003	1845 GREASE FITTING		003	003
055	0503010002	1800 GREASE FITTING		033	033
056	0511050113	HYDRAULIC CYLINDER	10	002	002
057	0501069343	WRENCH FIXER		001	001
058	0521011722	FLAT WASHER		001	001
059	0511064433	REGULATOR SPINDLE 1-3/4		001	001
060	0501010333	1.3/4" NUT		002	002
061	0511019920	SLEEVE 32,70 X 38,80 X 25,40		001	001
062	0541011205	DRAWBAR LOCK SAFETY		002	002
063	0521010573	0.9" X 3.1" COUPLING SHAFT		002	002
064	0503010571	1/4" X 1.1/2" SPLIT PIN		001	001
065	0503012660	1" X 4" BOLT		010	008
066	0503013635	1" NUT		008	016
067	0503010237	3/8" X 1" BOLT		002	002
068	0503010025	3/8" SPRING WASHER		004	004
069	0503010765	3/8" X 3" BOLT		002	002
070	0503010026	3/8" NUT		002	002
071	0531018101	1.2" X 6.3" PIVOT SHAFT		002	002
072	0521011481	FRAME BATTERY		001	001
073	0501010108	5/8" X 1" BOLT		001	001
074	0521011565	FLAT WASHER		004	004
075	0503010027	5/8 SPRING WASHER		095	106
076	0501012140	FLAT WASHER 16,50 X 40 X 4,00 ZN		001	001
077	0531018100	37,50 X 200 COUPLING SHAFT		002	002
078	0503010373	SCREW 1/4 UNC X 2 CS G.2 ZN		002	002
079	0503010144	1/4" NUT		002	002
080	0503010143	1/4" SPRING WASHER		002	002
081	0531018062	COUPLING SHAFT		002	002
082	0511064771	FRONT SCRAPER SUPPORT		035	041
083	0521013678	FRONT CLEANER		017	020
084	0521013679	REAR CLEANER		018	021
085	0501010500	3/4" X 3" BOLT		070	082
086	0541010763	FLAT WASHER		140	164
087	0503012195	5/8" NUT		070	070
088	0503010013	5/8 UNC G.5 ZN HEX NUT		082	106
089	0503011250	1" X 2" BOLT		006	004
090	0503010012	1" SPRING WASHER		006	004

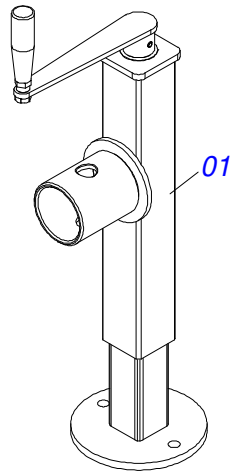
Item	Code	Description	See page	035	041
091	0501069350	230 PIVOT SHAFT WITH PULL		001	001
092	0503031035	HITCH PIN CLIP		001	001
093	0503010014	3/4" ZN G.5 (HEAVY) UNC HEX NUT		071	082
094	0531018105	1.2" X 11.8" PIVOT SHAFT		002	002
095	0503011877	0.3" X 2.4" SPRING PIN		008	008
096	0521012538	1.2" X 3.5" COUPLING SHAFT		001	001
097	0531019171	1.25" X 7" COUPLING SHAFT		001	001
098	0503034004	ALUMINUM IDENTIFICATION DECAL		001	001
099	0503010001	RIVET 3,2 X 5,5		004	004
100	0503031738	WARNING DECAL		001	001
100.	0503033647	APPROVED DECAL		001	001
100..	0503033241	CIVEMASA 100 X 400 BADGE		002	002
101	0503033432	ADHESIVE LABEL GCLH-P		002	002
101.	0503034438	ADHESIVE LABEL		001	001
101..	0503031739	DANGER DECAL		001	001
102		HYDRAULIC CIRCUIT ASSEMBLY	11		
103		DISC GANG ASSY	16		



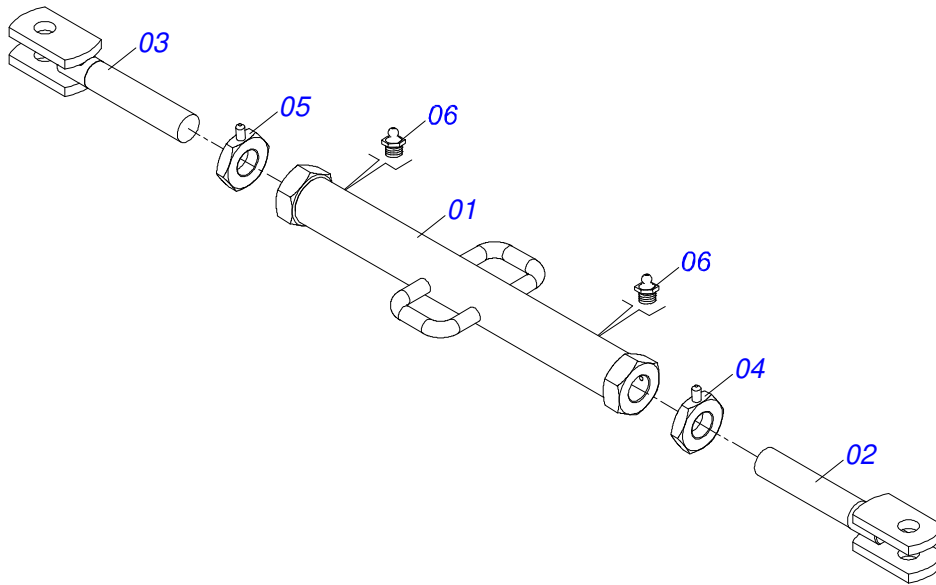
Item	Code	Description	See page	QT
01	0521068249	TRACTION BAR (AXLE 2)		01
02	0502040558	2" CASTLE NUT		02
03	0503010074	3/8" X 4" SPLIT PIN		02
04	0521068246	UPPER PLATE (AXLE 2)		01
05	0521068247	LOWER PLATE (AXLE 2)		01
06	0521068248	JUNCTION AXLE WITH LOCK		01
07	0501811301	CASTLE NUT		05
08	0503010010	1/4" X 2.1/2" SPLIT PIN		05
09	0521811880	37,50 X 230 X PQ R.1./2 JUNCTION AXLE		05
10	0502040263	HITCH LOCK RING		01
11	1902040897	TRACTOR HITCH		01
12	0561017306	COUPLING SHAFT		01
13	0503010523	1/4 X 2 SPLIT PIN		01
14	0503031741	1.8" X 11.4" 0.3" TRACTION SPRING		01
15	0531061607	SPRING REGULATOR		01
16	0591014558	SPRING REGULATOR FIXER AXLE		01
17	0503030285	HITCH PIN CLIP		01
18	0531061122	AXIS ARTICULATOR		01
19	0531040171	HITCH ASSY	3	01
20	0503010589	1/2" UNC SELF ADJUSTING NUT		01
21	0501010937	13,50 X 28 X 3,00 FLAT WASHER		01
22	0591014554	REAR SUPPORT FIXING SPRING		01
23	0591014552	SLEEVE		01
24	0503010740	BOLT 1/2 UNC X 2 CS G.5 ZN		01
25	0591013086	SLEEVE 52,8 X 78 X 76 (PIN 2")		01



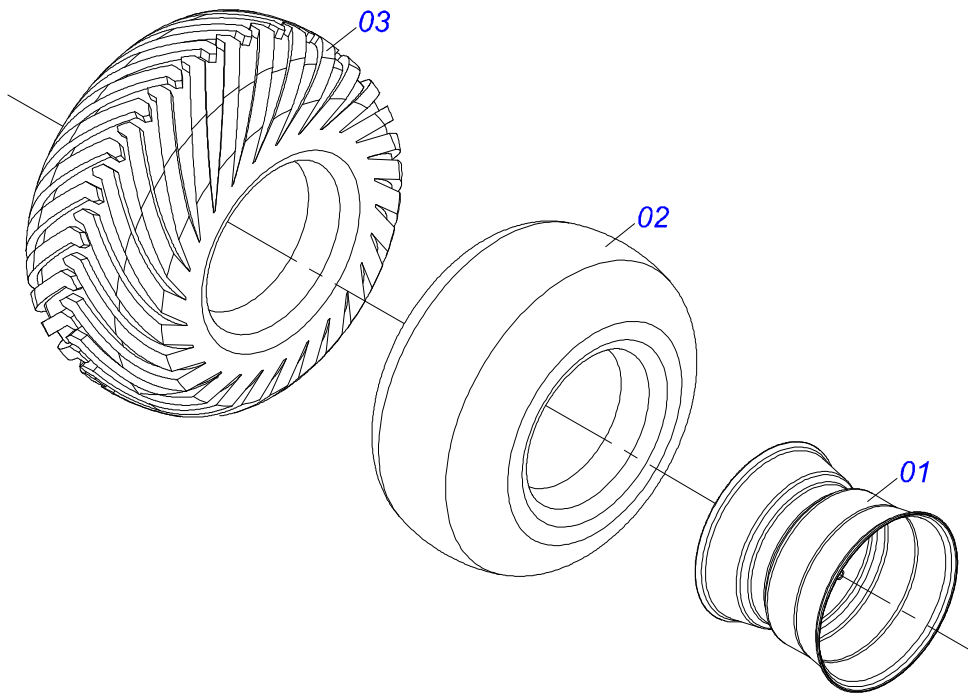
Item	Code	Description	See page	QT
01	0503010002	1800 GREASE FITTING		01
02	0531061121	HITCH		01
03	0503018829	NYLON CLAMP 7,8 X 1,8 X 390 MM		01
04	0503010589	1/2" UNC SELF ADJUSTING NUT		01
05	0501010937	13,50 X 28 X 3,00 FLAT WASHER		01
06	0591014555	FRONT SUPPORT FIXING SPRING		01
07	0503010740	BOLT 1/2 UNC X 2 CS G.5 ZN		01
08	0591013448	SLEEVE 65,50 X 78 X 76 (PIN 2.1/2")		01



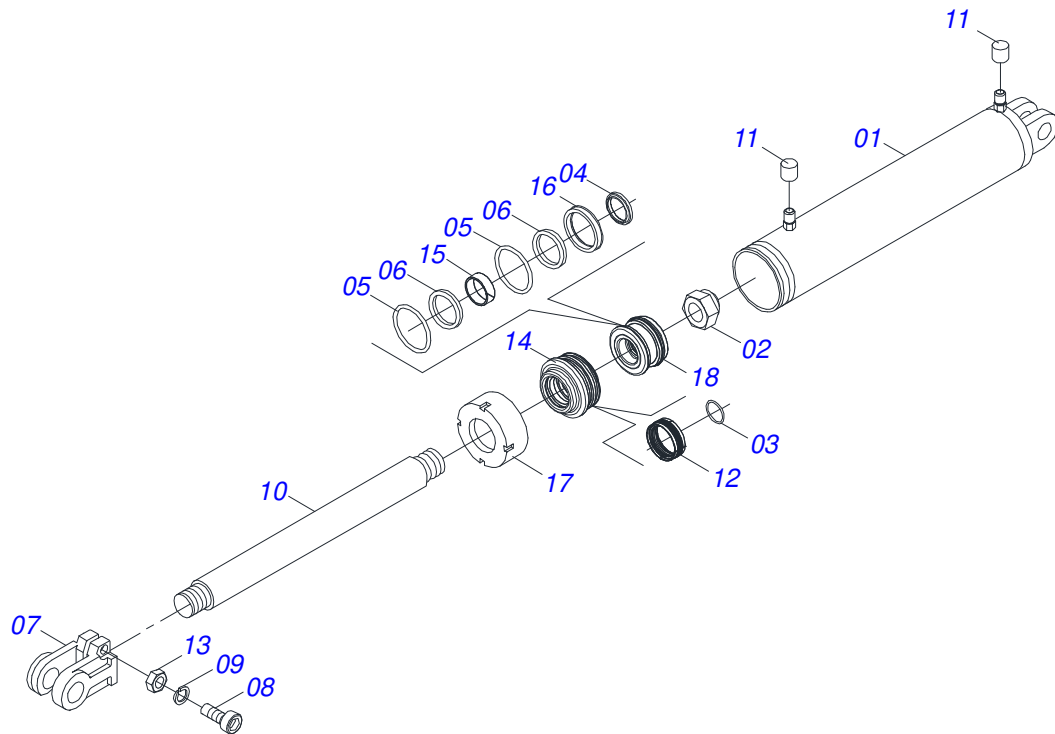
Item	Code	Description	See page	QT
01	0503062227	DRAWBAR JACK		01



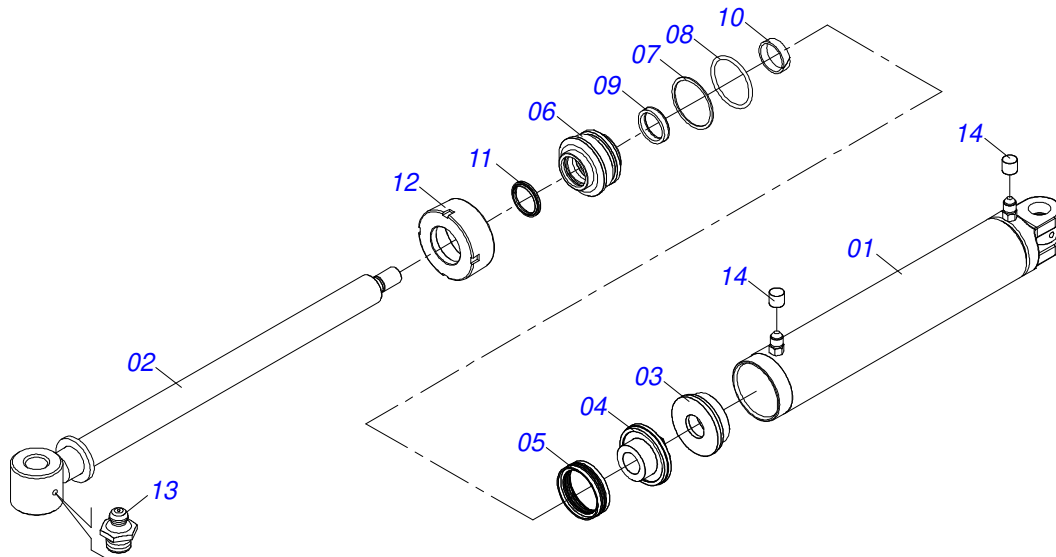
Item	Code	Description	See page	QT
01	0511064657	JOIN TURNBUCKLE		01
02	0501069333	JACK CRANK		01
03	0501069334	JACKET		01
04	0501069331	LOCKNUT WITH LEFT HANDLER R 2-1/8		01
05	0501069330	LOCKNUT WITH RIGHT HANDLER R 2-1/8		01
06	0503010002	1800 GREASE FITTING		02



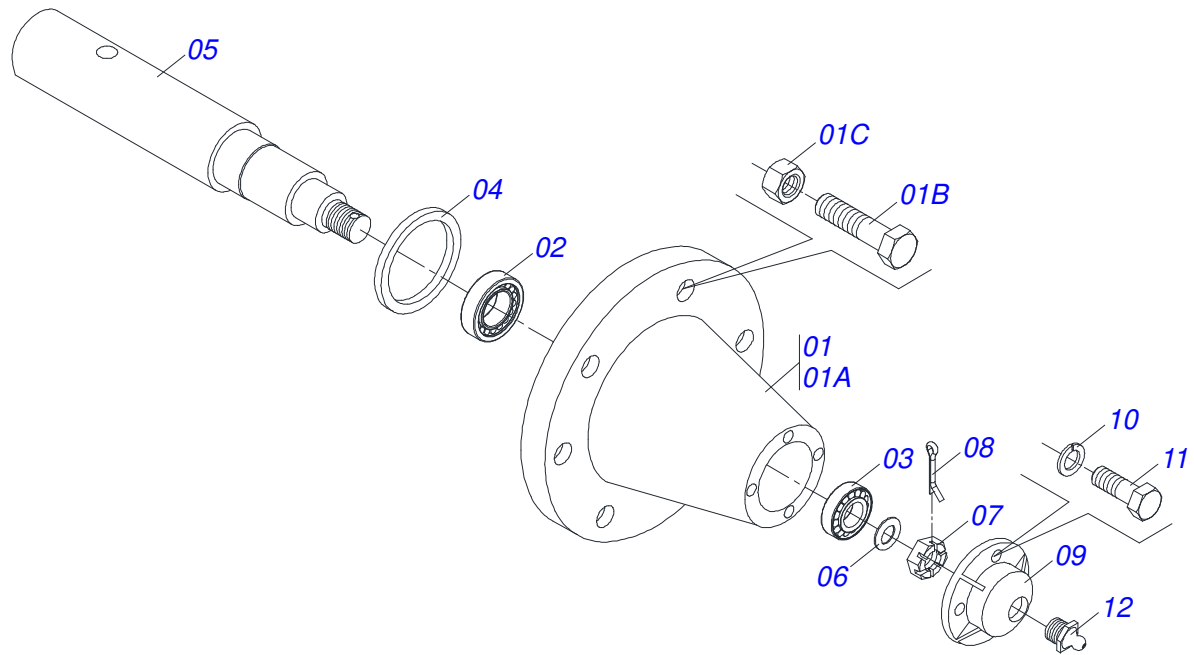
Item	Code	Description	See page	QT
01	0501069483	WHEEL 13 X 15,5 - 21FT		01
02	0503012112	400/60 - 15.5 TR 15 INNER TIRE		01
03	0503013119	CANVAS TIRE 400/60-15,5-T404-14L TRELEBORG		01



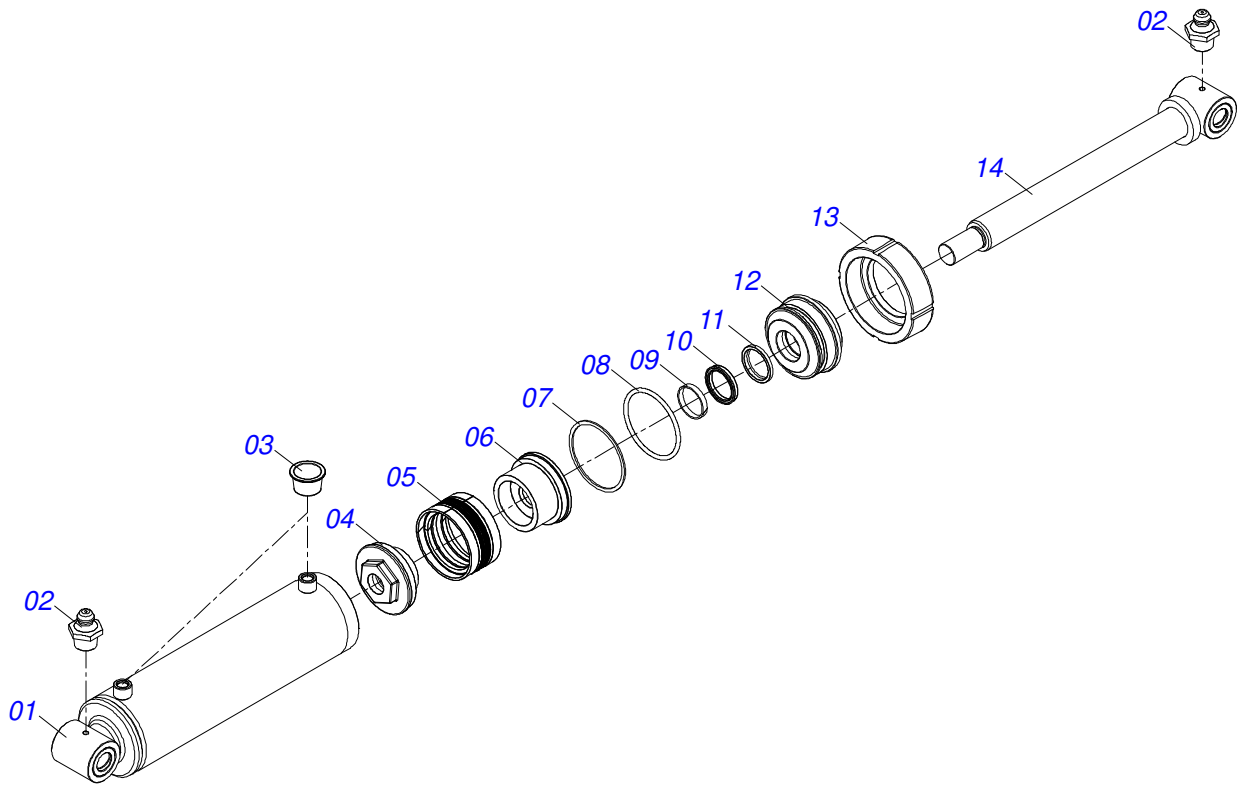
Item	Code	Description	See page	QT
01	0511061336	101,6 X 398 CYLINDER CASE		01
02	0503010817	1.1/4" SELF LOCKING NUT		01
03	0503010345	2-218 N 3006-9B O'RING		01
04	0503015636	SCRAPER SEAL		01
05	0503010338	2-342 N 3006-9B O'RING		02
06	0503011061	8-342 BACK-UP RING		02
07	0502040747	32.54 CLEVIS CLAMP		01
08	0503011094	BOLT 3/8" UNC X 2" C C S I 12.9		01
09	0503011443	SPRING WASHER 3/8"		01
10	0521010422	HYDRAULIC CYLINDER TURNBUCKLE		01
11	0503030384	PLUG N-001		02
12	0503015633	SELEMASTER SEALING		01
13	0503010026	3/8" NUT		01
14	0581010678	50,80 X 101 RING SUPPORT		01
15	0503018025	RING GUIDE W2-2250-750		01
16	0503018026	GASKET 1870-2000-375 B POLYMAX		01
17	0502012822	END CAP 4"		01
18	0502012842	50,80 X 101,60 PISTON		01
19	0511032511R	HYDRAULIC CYLINDER REPAIR KIT		01



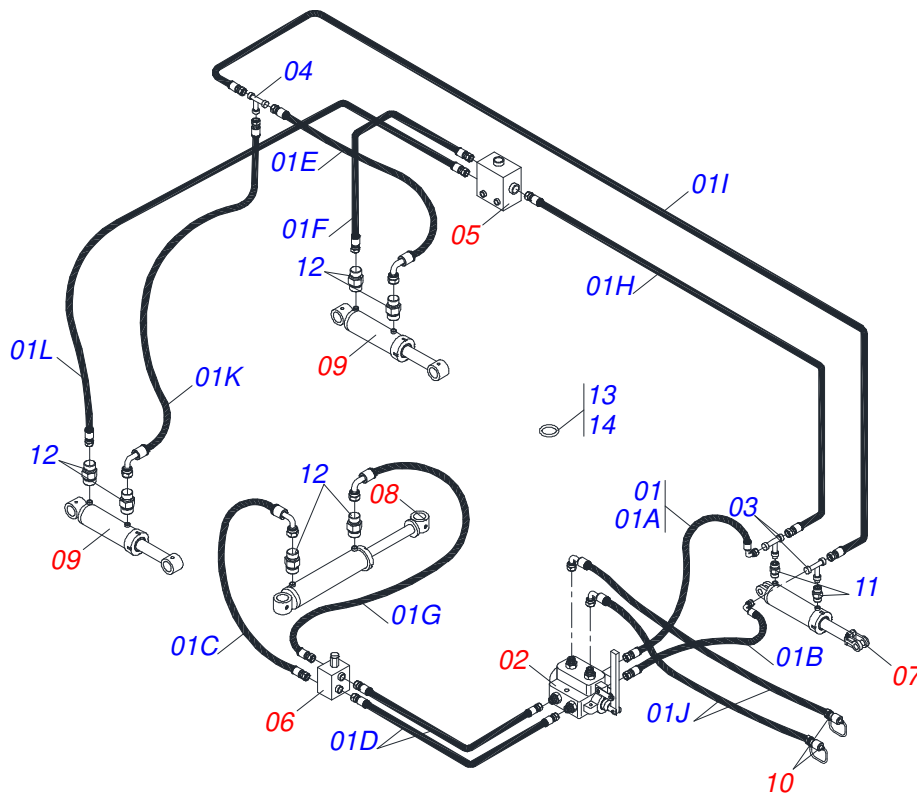
Item	Code	Description	See page	QT
01	0511065049	6" X 31" CYLINDER CASE		01
02	0511065050	2.5" X 34" TURNBUCKLE		01
03	0561016818	PISTON BODY		01
04	0502012658	PISTON BODY		01
05	0503015912	SELEMASTER SEALING		01
06	0502012375	TURNBUCKLE GUIDE		01
07	0503010704	2-357 N 3006-9B O'RING		01
08	0503010971	W2-2750-500 PK RING G.I		01
09	0503014960	GASKET		01
10	0503012497	RING (TEFLON)		01
11	0503010287	D-2500 SCRAPER RING		01
12	0541010615	MOVABLE COVER		01
13	0503010002	1800 GREASE FITTING		02
14	0503030384	PLUG N-001		02



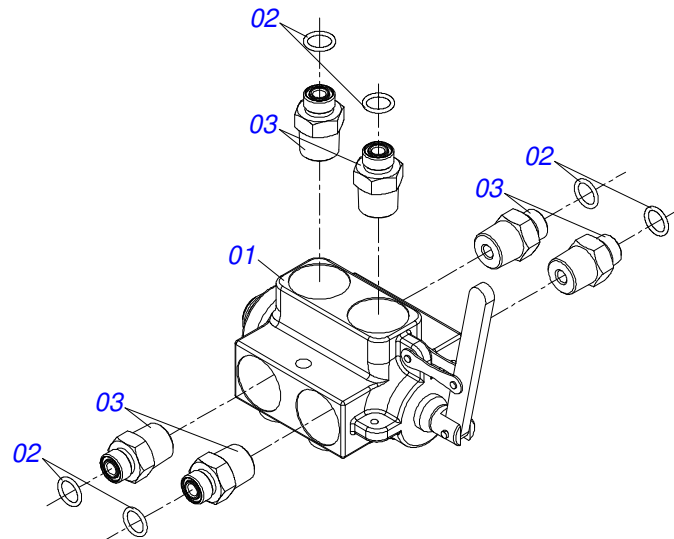
Item	Code	Description	See page	QT
01	0501110738	CARRYING WHEEL HUB 21FT		01
01A	0502012260	TRANSPORT CARRYING-WHEEL HUB		01
01B	0503010064	5/8 UNF CONIC NUT		08
01C	0501010186	WHEEL BOLT 5/8"UNF X 2.1/8CR		08
02	0503011156	2780/2720 IMP ROLLER BEARING		01
03	0503010008	3780/3720 ROLLER BEARING		01
04	0503013314	RETAINER 5166-GB 63,5 X 110 X 13 ARCA		01
05	0511012494	SPINDLE		01
06	0511012492	FLAT WASHER		01
07	0503030009	1" CASTLE NUT		01
08	0503010018	5/32" X 1-1/2" SPLIT PIN		01
09	0502020591	PROTECTION LID		01
10	0503011444	SPRING WASHER 5/16"		04
11	0503010358	5/16" X 5/8" BOLT		04
12	0503010002	1800 GREASE FITTING		01



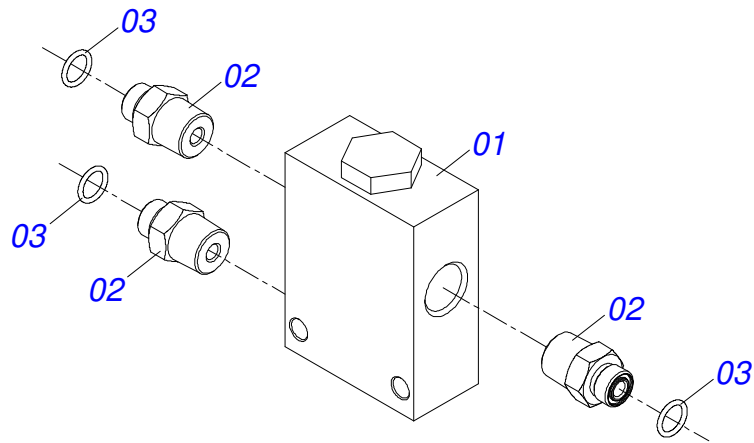
Item	Code	Description	See page	QT
01	0521061746	CYLINDER CASE		01
02	0503010002	1800 GREASE FITTING		02
03	0503030384	PLUG N-001		02
04	0502012645	PISTON BODY 2" X 5"		01
05	0503015643	SEAL PCK 001270-N8CO		01
06	0561016583	PISTON BODY		01
07	0503011062	8-425 BACK-UP RING		01
08	0503010351	2-425 N 3006-9B O'RING		01
09	0503015641	WEAR RING		00
10	0503015642	U-CUP SEALING RUUB000970		01
11	0503015715	SCRAPER SEALING		01
12	0502012646	RING SUPPORT 2.1/8" X 5"		01
13	0502010382	5" END CAP		01
14	0521061684	56,98 X 590,50 TURNBUCKLE		01



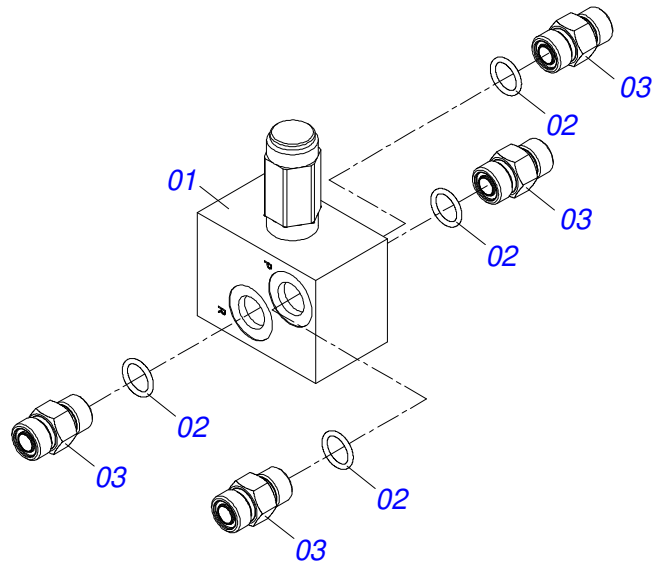
Item	Code	Description	See page	QT
01	0501055906	HOSE GAME		01
01A	0501080971	1/2" X 33.46" TR-TC HOSE ASSY		01
01B	0501080984	1/2" X 39.37" TR-TC HOSE ASSY		01
01C	0501080985	1/2" X 47.24" TR-TC HOSE ASSY		01
01D	0501080911	1/2" X 51.18" TR-TR OFS HOSE ASSY		02
01E	0501080986	1/2" X 55.12" TR-TC HOSE ASSY		01
01F	0501080987	1/2" X 59.06" TR-TR HOSE ASSY		01
01G	0501080988	1/2" X 77" TR-TC HOSE ASSY		01
01H	0501080989	1/2" X 15.4" TR-TR HOSE ASSY		01
01I	0501080990	1/2" X 185" TR-TR HOSE ASSY		01
01J	0501080991	1/2" X 189" TC-TM HOSE ASSY		02
01K	0501080992	1/2" X 200" TR-TC HOSE ASSY		01
01L	0501080993	1/2" X 205" TR-TR HOSE ASSY		01
02	0511043139	VALVE ASSY	12	01
03	0503013272	T 1/2" MALE ADAPTER ASSY		02
04	0503013273	T 1/2" MALE ADAPTER		01
05	0501055695	FLOW DIVIDING VALVE ASSY	13	01
06	0501055696	DISCHARGE VALVE OFS ASSY	14	01
07	0511058419	HYDRAULIC CYLINDER 50,80 X 101,60 X 514 X 206	7	01
08	0511050114	63,50 X 150 X 965 X 625 HYDRAULIC CYLINDER	8	01
09	0511050113	HYDRAULIC CYLINDER	10	02
10	0501053834	MALE QUICK COUPLER	15	02
11	0503032031	3/4" UNF REDUCTION NIPPLE		02
12	0503030923	3/4" UNF X 13/16UN OFS X 40 NIPPLE		06
13	0503010190	2-114 N 3006-9B O'RING		14
14	0503011030	2-014 N 3006-9B O'RING		50



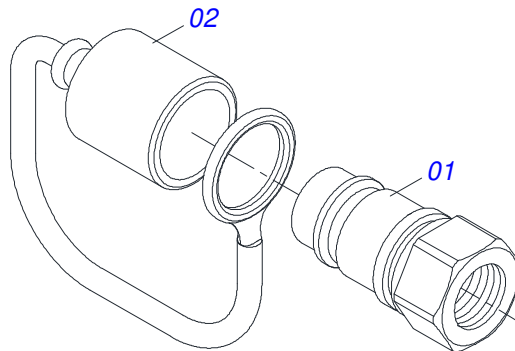
Item	Code	Description	See page	QT
01	0503013319	VALVE ASSY		01
02	0503032098	13/16" NIPPLE		06
03	0503010190	2-114 N 3006-9B O'RING		06



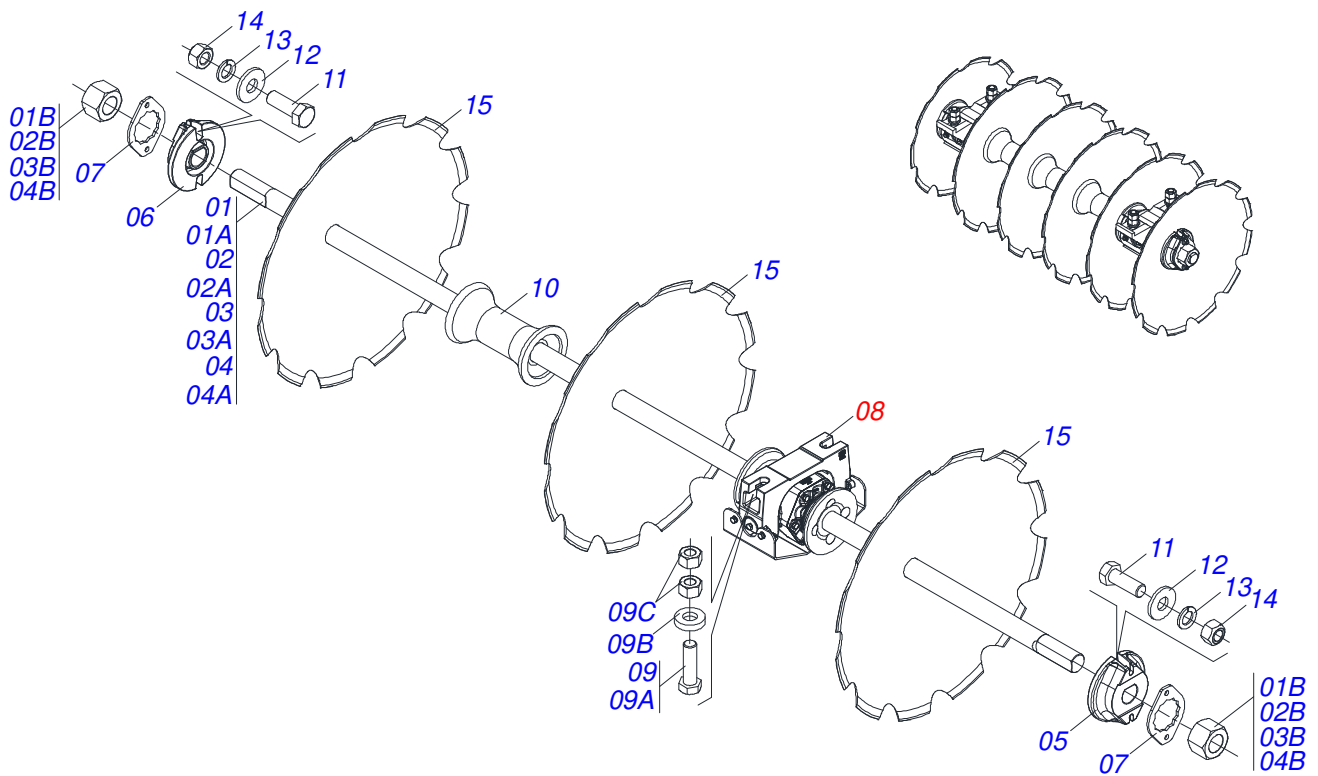
Item	Code	Description	See page	QT
01	0503012481	FLOW DIVIDING VALVE		01
02	0503030923	3/4" UNF X 13/16UN OFS X 40 NIPPLE		03
03	0503010190	2-114 N 3006-9B O'RING		03



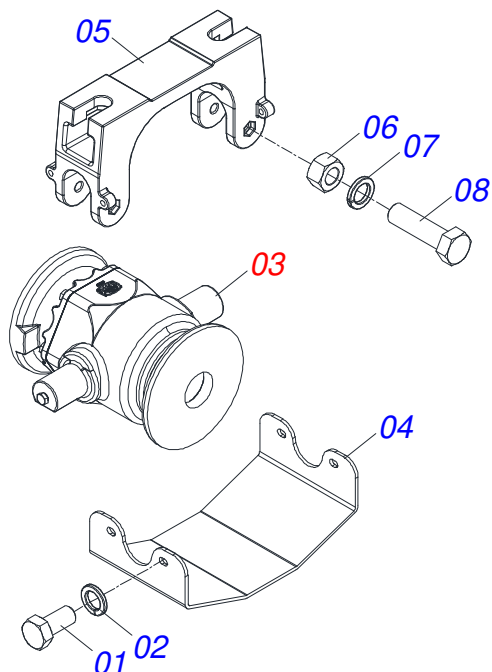
Item	Code	Description	See page	QT
01	0503010919	DISCHARGE VALVE		01
02	0503010190	2-114 N 3006-9B O'RING		04
03	0503030923	3/4" UNF X 13/16UN OFS X 40 NIPPLE		04



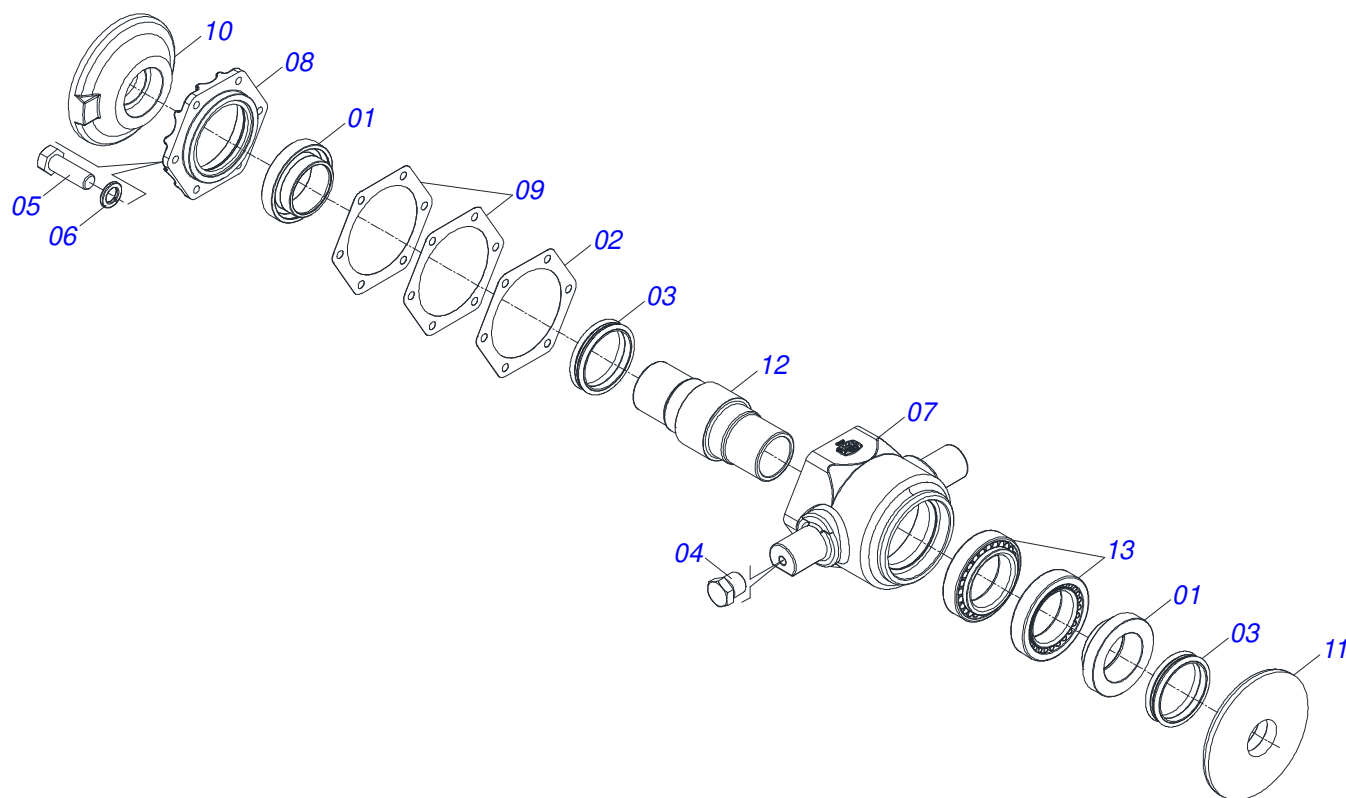
Item	Code	Description	See page	QT
01	0503011627	MALE QUICK COUPLER AGR 1/2 NPT		01
02	0503011882	MALE QUICK COUPLER CAP		01



Item	Code	Description	See page	035	041
01	0511042484	2-1/2" X 78" AXLE WITH NUTS		005	002
01A	0541012129	2-1/2" X 78" AXLE		001	001
01B	0502040064	2-1/2" SNC X 70 99 NUT		002	002
02	0511042421	2-1/2" X 91.7" AXLE WITH NUTS		000	003
02A	0541011893	2-1/2" X 91.7" AXLE		000	001
02B	0502040064	2-1/2" SNC X 70 99 NUT		000	002
03	0511042422	2-1/2" X 104" AXLE WITH NUTS		000	001
03A	0541011894	2-1/2" X 105" AXLE		000	001
03B	0502040064	2-1/2" SNC X 70 99 NUT		000	002
04	0511042483	2-1/2" X 65" AXLE WITH NUTS		001	000
04A	0541012128	2-1/2" X 65" AXLE WITH NUTS		001	000
04B	0502040064	2-1/2" SNC X 70 99 NUT		002	000
05	0502010592	2-1/2" INNER AXLE WASHER		006	006
06	0502010593	2-1/2" EXTERNAL AXLE WASHER		006	006
07	0541010368	NUT LOCK		012	012
08	0531041672	330 X 2.1/2 BEARING	17	012	012
09	0531040741	1-1/4" UNC X 5 BOLT ASSY		024	024
09A	0503011347	1-1/4" X 5" BOLT		001	001
09B	0571010448	32,50 X 75 X 16 SLEEVE		001	001
09C	0501010087	1.1/4" NUT		002	002
10	0502011425	13" X 2-1/2" SPACER		017	023
11	0503010232	5/8" X 1.3/4" BOLT		024	024
12	0501012140	FLAT WASHER 16,50 X 40 X 4,00 ZN		048	048
13	0503010027	5/8 SPRING WASHER		024	024
14	0503010013	5/8 UNC G.5 ZN HEX NUT		024	024
15	0602046001	DR 34 X 9,00 C120AF04FR2.9/16 12R		035	041



Item	Code	Description	See page	QT
01	0503010834	1/2 X 1 BOLT		04
02	0503010019	1/2" SPRING WASHER		04
03	0531053201	BEARING	18	01
04	0591011532	OSCILLATING BEARING COVER		01
05	0502013022	CENTRAL OSCILLATING BEARING SUPPORT		01
06	0503010013	5/8 UNC G.5 ZN HEX NUT		02
07	0503010027	5/8 SPRING WASHER		02
08	0503010480	5/8" X 4.3/4" BOLT		02



Item	Code	Description	See page	QT
01	0502040119	SEAL RETAINER		02
02	0503035599	205 X 160,5 X 0,20 SEAL GASKET		01
03	0503030029	RETAINER LP JB-259		02
04	0503010856	OIL PLUG R 3/8 BSPT		02
05	0503010920	1/2 UNC X 1.1/2 C S G.5 ZN BOLT		06
06	0503011440	SPRING WASHER		06
07	0502013021	BEARING BOX		01
08	0502013005	BEARING HUB LID		01
09	0503035600	205 X 160,5 X 0,40 SEAL GASKET		02
10	0502012239	BEARING OUTER FLANGE		01
11	0502012238	BEARING INNER FLANGE		01
12	0502040204	AXLE		01
13	0503010482	594A/592A ROLLER BEARING		02



civemasa

Technical Publications | Elaboration and Revision
ALESSANDRA PATRICIA KAWAHARA CARRILI

www.civemasa.com.br

