

**SUBSOILER PLOUGH**

**STRONDER 550 STANDARD  
STRONDER 550 STANDARD**

**Code:** 0501093650  
**Series:** S-0124  
**Revision:** 00  
**Revision Date:** SEPTEMBER/2024

# **PARTS CATALOGUE**


***CIVEMASA***

# PRODUCTS

Code	Working Width	Description
0121880001		STRONDER 550 STANDARD 11H DC RDD ROD 15/19.5 S0124
0121880004		STRONDER 550 STANDARD 5H DC RDD ROD 14/17.5 S-0124
0121880003		STRONDER 550 STANDARD 7H DC RDD ROD 14/17.5 S-0124
0121880002		STRONDER 550 STANDARD 9H DC RDD ROD 14/17.5 S-0124

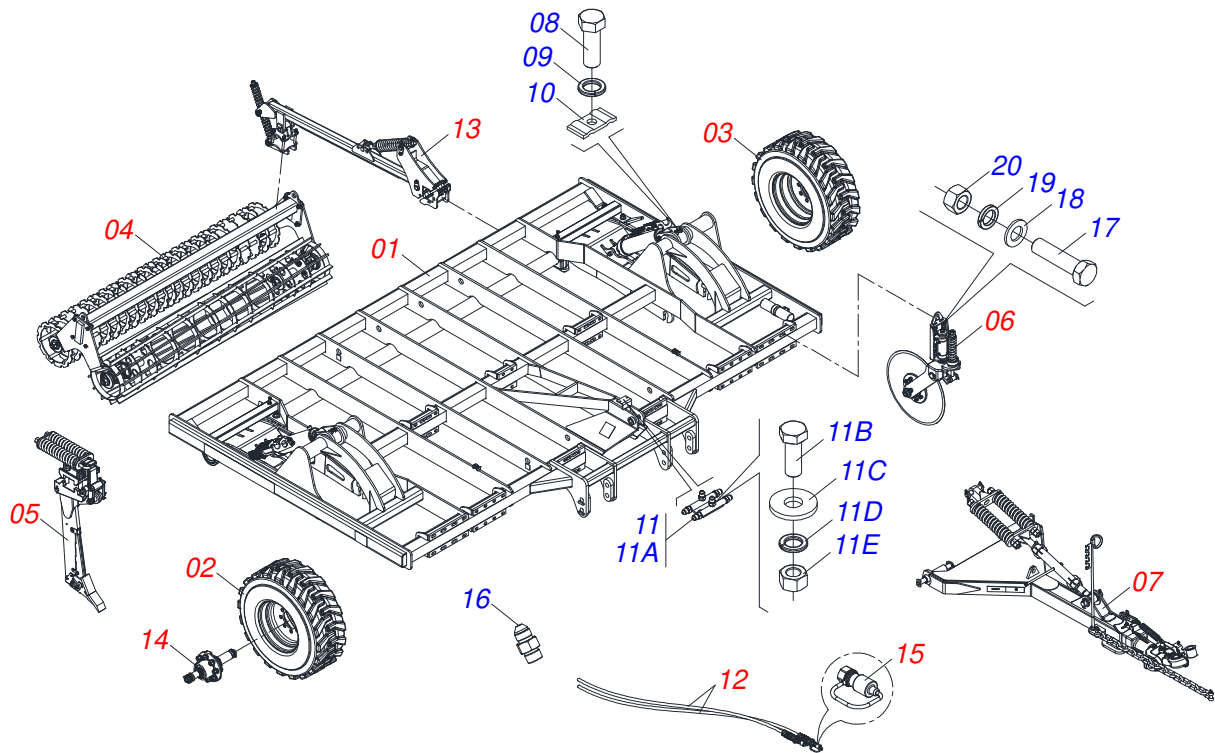
## ATTENTION: IMPORTANT

CIVEMASA reserves the right to improve and/or modify the technical features of its products, without obligation to do the same with those products already sold and without prior knowledge of the dealer or the customer. The photos are only illustrative.

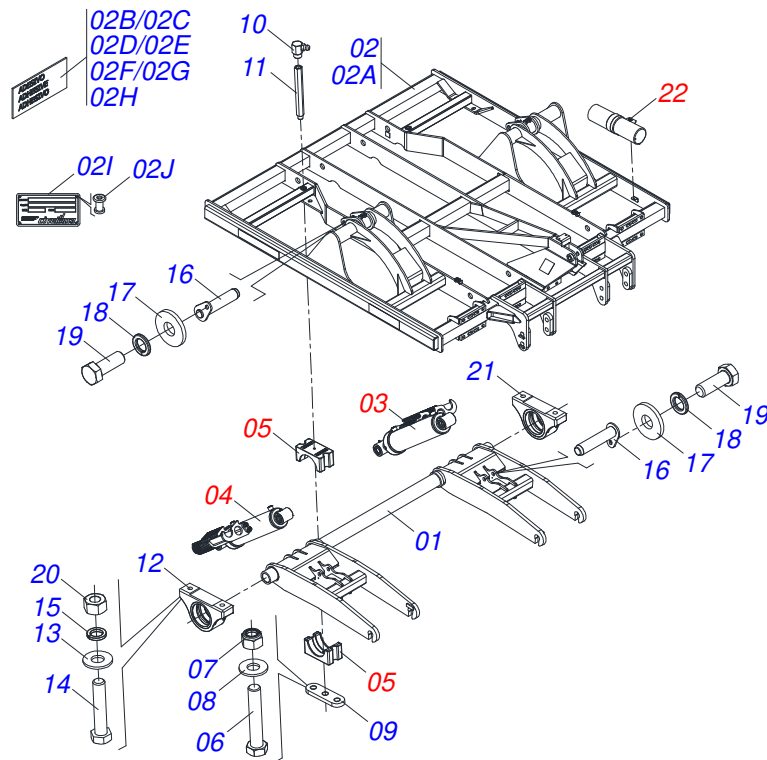


# INDEX

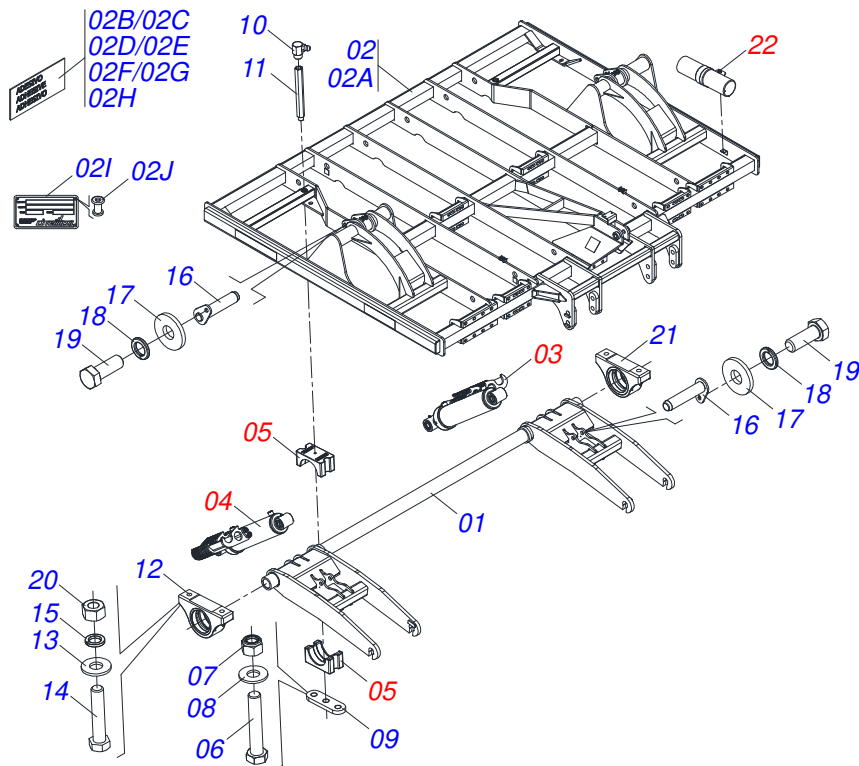
0909097361	STRONDER 550 STANDARD - 05/07/09/11 RODS	1
0531046113	FRAME ASSY WITH SHAFT - 05 H	2
0531045995	FRAME ASSY WITH SHAFT - 07 H	3
0531045864	FRAME ASSY WITH SHAFT - 09 H	4
0531045974	FRAME ASSY WITH SHAFT - 11 H	5
0531045757	LEFT HYDRAULIC CYLINDER	6
0531045786	RIGHT HYDRAULIC CYLINDER	7
0531054736	SEMI BEARING WITH NYLON SHIM	8
0541055617	MANUAL CANISTER ASSY	9
0503060684	14 X 17.5/14L TR SK900 LEFT - WHEEL AND TIRE	10
0511058278	14 X 17.5/14L TR SK900 RIGHT - WHEEL AND TIRE	11
0521058865	TIRE WITH WHEEL 15 X 19.50 14 LEFT CANVAS	12
0521055981	WHEEL WITH TIRE 15 X 19.50 / 14 CANVAS	13
0531042279	70" TANDEM ROLLER	14
0531042302	93" TANDEM ROLLER	15
0501046922	AGRICULTURAL BEARING DM OL 7 X 1.1/4 IMPLEMENT	16
0531046239	ROD WITH SPRING	17
0501052884	1" X 23.03" FASTENER	18
0541055334	ROD NO SPRING	19
0541054115	26" DISC BLADE ASSY	20
0541050139	26" DISC BLADE WITH HUB	21
0501057526	DISC HUB	22
0541054881	DRAWBAR ASSY	23
0541054870	EXTENDER SET ASSY	24
0541051825	EXTENDER CLAMP WITH SPRING	25
0541054869	DRAWBAR SEMI-ASSEMBLED	26
0531040171	HITCH ASSY	27
0501040257	3/4" X 38" HOSE SUPPORT ASSY	28
0909097336	HOSES SET - 05/07/09/11 RODS	29
0531045861	ROLLER ARM ASSY	30
0541054114	ROLLER ARM	31
0531045753	DOUBLE ROLLER STABILIZER	32
0541054107	CARRYING-WHEEL WITHOUT TIRE/TRASMISSION	33
0531045973	CARRYING-WHEEL NO TIRE AND TRANSMISSION	34
0541055606	CARRYING-WHEEL NO TIRE	35
0501053834	MALE QUICK COUPLER	36



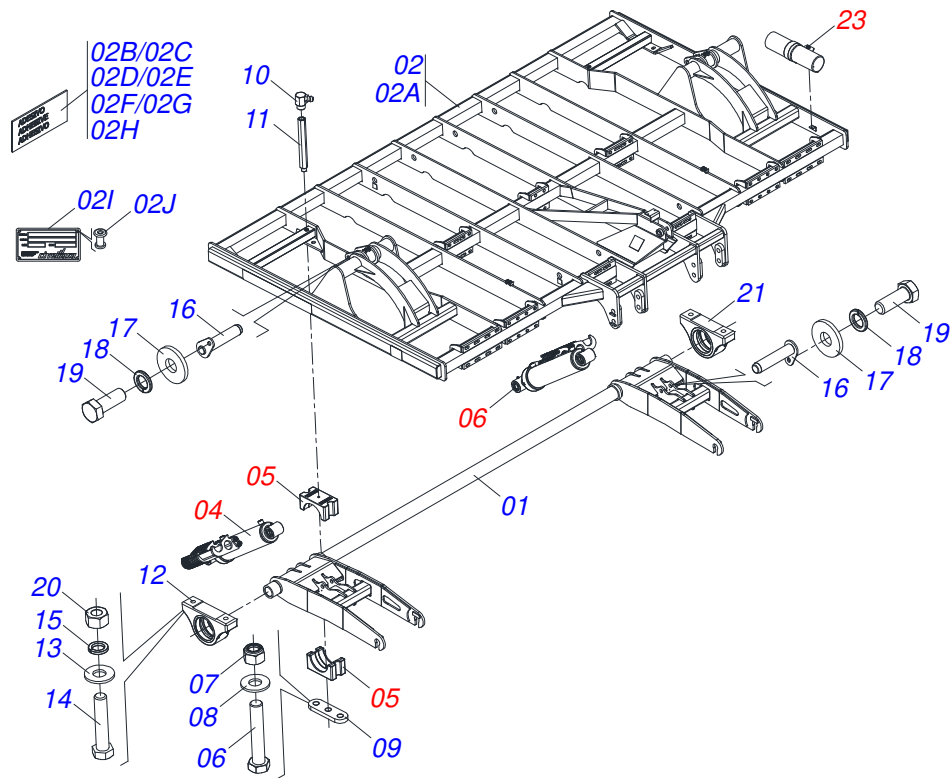
Item	Code	Description	See page	05	07	09	11
01	0531046113	FRAME ASSY WITH SHAFT - 05 H	2	01	00	00	00
01.	0531045995	FRAME ASSY WITH SHAFT - 07 H	3	00	01	00	00
01..	0531045864	FRAME ASSY WITH SHAFT - 09 H	4	00	00	01	00
01...	0531045974	FRAME ASSY WITH SHAFT - 11 H	5	00	00	00	01
02	0503060684	14 X 17.5/14L TR SK900 LEFT - WHEEL AND TIRE	10	01	01	01	00
02.	0521058865	TIRE WITH WHEEL 15 X 19.50 14 LEFT CANVAS	12	00	00	00	01
03	0511058278	14 X 17.5/14L TR SK900 RIGHT - WHEEL AND TIRE	11	01	01	01	00
03.	0521055981	WHEEL WITH TIRE 15 X 19.50 / 14 CANVAS	13	00	00	00	01
04	0531042279	70" TANDEM ROLLER	14	00	02	00	03
04.	0531042302	93" TANDEM ROLLER	15	01	00	02	00
05	0531046239	ROD WITH SPRING	17	05	07	09	11
06	0541054115	26" DISC BLADE ASSY	20	05	07	09	11
07	0541054881	DRAWBAR ASSY	23	01	01	01	01
08	0503011102	BOLT 7/16 UNC X 1.1/4 C S G.5 ZN		04	04	04	04
09	0503010180	7/16" SPRING WASHER		04	04	04	04
10	0531011180	SUPPORT		04	04	04	04
11	0501051611	CONNECTION ASSY		01	01	01	01
11A	0501068706	DOUBLE CONNECTION		01	01	01	01
11B	0503010237	3/8" X 1" BOLT		02	02	02	02
11C	0501010984	10,50 X 27 X 3,00 FLAT WASHER		02	02	02	02
11D	0503010025	3/8" SPRING WASHER		02	02	02	02
11E	0503010026	3/8" NUT		02	02	02	02
12		HOSES SET - 05/07/09/11 RODS	29				
13	0531045861	ROLLER ARM ASSY	30	02	04	04	06
14	0541054107	CARRYING-WHEEL WITHOUT TIRE/TRASMISSION	33	02	02	02	00
14.	0531045973	CARRYING-WHEEL NO TIRE AND TRANSMISSION	34	00	00	00	02
15	0501053834	MALE QUICK COUPLER	36	02	02	02	02
16	0501010617	NIPLE 3/4" NF X 3/4" NF HEX. 7/8" X 44		04	04	04	04
17	0501010500	3/4" X 3" BOLT		20	28	36	44
18	0511017305	FLAT WASHER		20	28	36	44
19	0503010023	3/4" SPRING WASHER		20	28	36	44
20	0503012183	SNC 3/4" ZIN 1K03097 NUT		20	28	36	44



Item	Code	Description	See page	QT
01	0531069162	CARRYING-WHEEL SHAFT - 05 H		01
02	0541055101	FRAME SEMI-ASSEMBLED - 05 H		01
02A	0531069142	FRAME - 05 H		01
02B	0503033647	APPROVED DECAL		01
02C	0503031428	ATTENTION READ MANUAL DECAL		01
02D	0503031827	DAILY LUBRICATION AND RETIGHTENING DECAL		01
02E	0503033246	CIVEMASA LOGO DECAL		02
02F	0503037069	STRONDER 550 ADVANCED DECAL		02
02G	0503034078	LIFTING POINTS DECAL		04
02H	0503034499	HOSE IDENTIFICATION DECAL		01
02I	0503034004	ALUMINUM IDENTIFICATION DECAL		01
02J	0503010001	RIVET 3,2 X 5,5		04
03	0531045757	LEFT HYDRAULIC CYLINDER	6	01
04	0531045786	RIGHT HYDRAULIC CYLINDER	7	01
05	0531054736	SEMI BEARING WITH NYLON SHIM	8	04
06	0503013935	1 UNC X 9 C S G.8 ZN BOLT		04
07	0503018754	NUT 1 - 8 UNC - 2B G8		04
08	0501010690	FLAT WASHER 26 X 58 X 4,75		04
09	0501015593	SUPPORT PLATE		02
10	0503010004	1890 GREASE FITTING		02
11	0501411492	GREASE EXTENDER R.1/8 BSP 40		02
12	0501110568	RIGHT PIVOT BEARING WITH SLEEVE		01
13	0501010322	20,50 X 46 X 4,00 ZN FLAT WASHER		04
14	0503013826	3/4" UNC X 3.3/4" C S G.8 SCREW		04
15	0503010023	3/4" SPRING WASHER		04
16	0531068501	CYLINDER LOCK PIN		04
17	0501010984	10,50 X 27 X 3,00 FLAT WASHER		04
18	0503010025	3/8" SPRING WASHER		04
19	0503010237	3/8" X 1" BOLT		04
20	0503010014	3/4" ZN G.5 (HEAVY) UNC HEX NUT		04
21	0501110563	LEFT PIVOT BEARING WITH SLEEVE		01
22	0541055617	MANUAL CANISTER ASSY	9	01

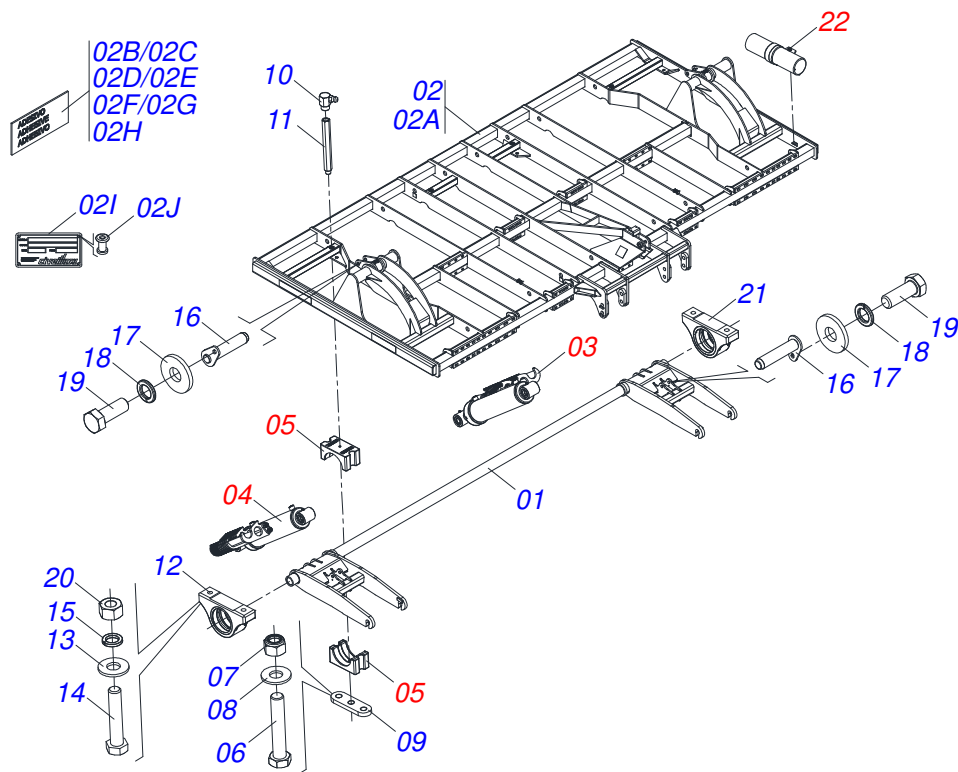


Item	Code	Description	See page	QT
01	0531069095	CARRYING-WHEEL SHAFT - 07 H		01
02	0541055023	FRAME SEMI-ASSEMBLED - 07 H		01
02A	0531069094	FRAME - 07 H		01
02B	0503033647	APPROVED DECAL		01
02C	0503031428	ATTENTION READ MANUAL DECAL		01
02D	0503031827	DAILY LUBRICATION AND RETIGHTENING DECAL		01
02E	0503033246	CIVEMASA LOGO DECAL		02
02F	0503037069	STRONDER 550 ADVANCED DECAL		02
02G	0503034078	LIFTING POINTS DECAL		04
02H	0503034499	HOSE IDENTIFICATION DECAL		01
02I	0503034004	ALUMINUM IDENTIFICATION DECAL		01
02J	0503010001	RIVET 3,2 X 5,5		04
03	0531045757	LEFT HYDRAULIC CYLINDER	6	01
04	0531045786	RIGHT HYDRAULIC CYLINDER	7	01
05	0531054736	SEMI BEARING WITH NYLON SHIM	8	04
06	0503013935	1 UNC X 9 C S G.8 ZN BOLT		04
07	0503018754	NUT 1 - 8 UNC - 2B G8		04
08	0501010690	FLAT WASHER 26 X 58 X 4,75		04
09	0501015593	SUPPORT PLATE		02
10	0503010004	1890 GREASE FITTING		02
11	0501411492	GREASE EXTENDER R.1/8 BSP 40		02
12	0501110568	RIGHT PIVOT BEARING WITH SLEEVE		01
13	0501010322	20,50 X 46 X 4,00 ZN FLAT WASHER		04
14	0503013826	3/4" UNC X 3.3/4" C S G.8 SCREW		04
15	0503010023	3/4" SPRING WASHER		04
16	0531068501	CYLINDER LOCK PIN		04
17	0501010984	10,50 X 27 X 3,00 FLAT WASHER		04
18	0503010025	3/8" SPRING WASHER		04
19	0503010237	3/8" X 1" BOLT		04
20	0503010014	3/4" ZN G.5 (HEAVY) UNC HEX NUT		04
21	0501110563	LEFT PIVOT BEARING WITH SLEEVE		01
22	0541055617	MANUAL CANISTER ASSY	9	01



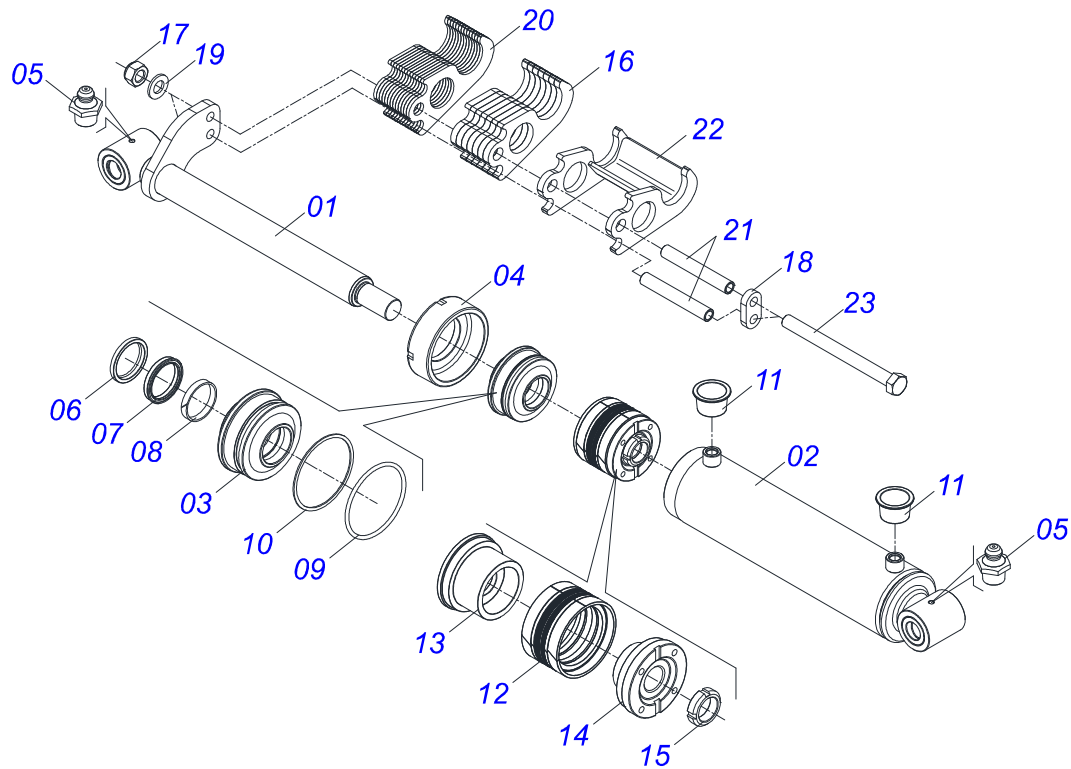
Item	Code	Description	See page	QT
01	0531068620	CARRYING-WHEEL SHAFT - 09 H		01
02	0541054387	FRAME SEMI-ASSEMBLED - 09 H		01
02A	0531068292	FRAME - 09 H		01
02B	0503033647	APPROVED DECAL		01
02C	0503031428	ATTENTION READ MANUAL DECAL		01
02D	0503031827	DAILY LUBRICATION AND RETIGHTENING DECAL		01
02E	0503033246	CIVEMASA LOGO DECAL		02
02F	0503037069	STRONDER 550 ADVANCED DECAL		02
02G	0503034078	LIFTING POINTS DECAL		04
02H	0503034499	HOSE IDENTIFICATION DECAL		01
02I	0503034004	ALUMINUM IDENTIFICATION DECAL		01
02J	0503010001	RIVET 3,2 X 5,5		04
03	0531045757	LEFT HYDRAULIC CYLINDER	6	01
04	0531045786	RIGHT HYDRAULIC CYLINDER	7	01
05	0531054736	SEMI BEARING WITH NYLON SHIM	8	04
06	0503013935	1 UNC X 9 C S G.8 ZN BOLT		04
07	0503018754	NUT 1 - 8 UNC - 2B G8		04
08	0501010690	FLAT WASHER 26 X 58 X 4,75		04
09	0501015593	SUPPORT PLATE		02
10	0503010004	1890 GREASE FITTING		02
11	0501411492	GREASE EXTENDER R.1/8 BSP 40		02
12	0501110568	RIGHT PIVOT BEARING WITH SLEEVE		01
13	0501010322	20,50 X 46 X 4,00 ZN FLAT WASHER		04
14	0503013826	3/4" UNC X 3.3/4" C S G.8 SCREW		04
15	0503010023	3/4" SPRING WASHER		04
16	0531068501	CYLINDER LOCK PIN		04
17	0501010984	10,50 X 27 X 3,00 FLAT WASHER		04
18	0503010025	3/8" SPRING WASHER		04
19	0503010237	3/8" X 1" BOLT		04
20	0503010014	3/4" ZN G.5 (HEAVY) UNC HEX NUT		04
21	0501110563	LEFT PIVOT BEARING WITH SLEEVE		01
22	0541055617	MANUAL CANISTER ASSY	9	01



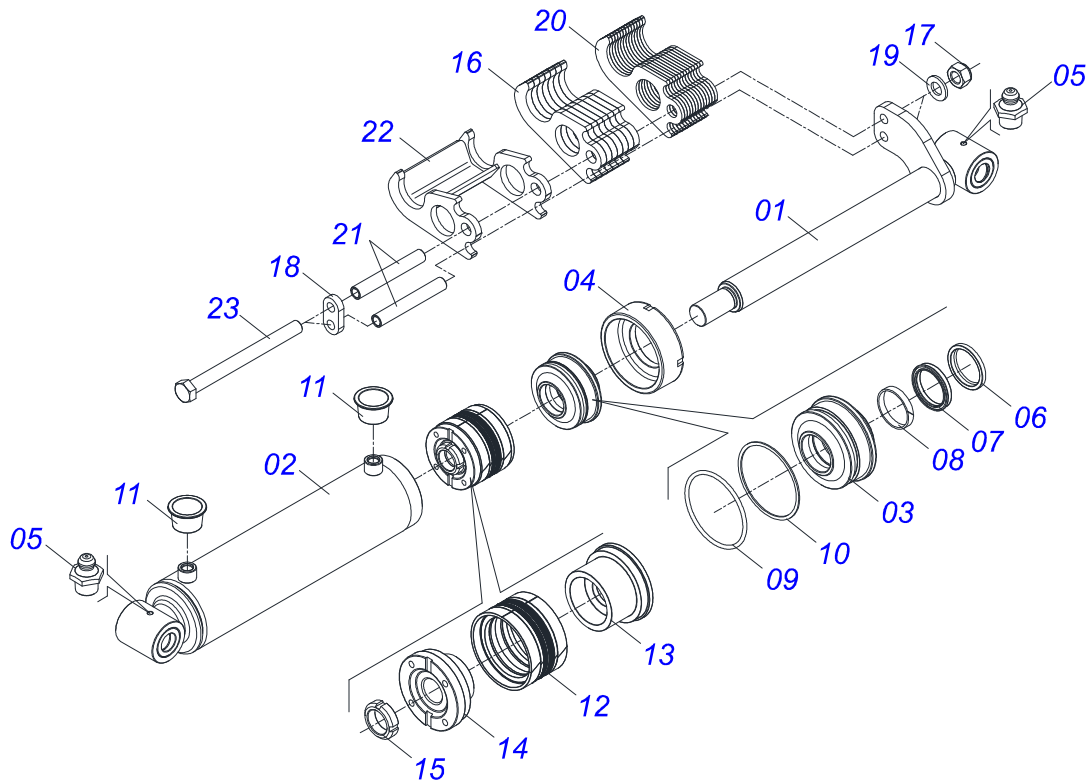


Item	Code	Description	See page	QT
01	0531069060	CARRYING-WHEEL - 11 H		01
02	0541054834	FRAME SEMI-ASSEMBLED - 11 H		01
02A	0531069051	FRAME - 11 H		01
02B	0503033647	APPROVED DECAL		01
02C	0503031428	ATTENTION READ MANUAL DECAL		01
02D	0503031827	DAILY LUBRICATION AND RETIGHTENING DECAL		01
02E	0503033246	CIVEMASA LOGO DECAL		02
02F	0503037069	STRONDER 550 ADVANCED DECAL		02
02G	0503034078	LIFTING POINTS DECAL		04
02H	0503034499	HOSE IDENTIFICATION DECAL		01
02I	0503034004	ALUMINUM IDENTIFICATION DECAL		01
02J	0503010001	RIVET 3,2 X 5,5		04
03	0531045757	LEFT HYDRAULIC CYLINDER	6	01
04	0531045786	RIGHT HYDRAULIC CYLINDER	7	01
05	0531054736	SEMI BEARING WITH NYLON SHIM	8	08
06	0503013935	1 UNC X 9 C S G.8 ZN BOLT		08
07	0503018754	NUT 1 - 8 UNC - 2B G8		08
08	0501010690	FLAT WASHER 26 X 58 X 4,75		08
09	0501015593	SUPPORT PLATE		04
10	0503010004	1890 GREASE FITTING		04
11	0501411492	GREASE EXTENDER R.1/8 BSP 40		04
12	0501110568	RIGHT PIVOT BEARING WITH SLEEVE		01
13	0501010322	20,50 X 46 X 4,00 ZN FLAT WASHER		04
14	0503013826	3/4" UNC X 3.3/4" C S G.8 SCREW		04
15	0503010023	3/4" SPRING WASHER		04
16	0531068501	CYLINDER LOCK PIN		04
17	0501010984	10,50 X 27 X 3,00 FLAT WASHER		04
18	0503010025	3/8" SPRING WASHER		04
19	0503010237	3/8" X 1" BOLT		04
20	0503010014	3/4" ZN G.5 (HEAVY) UNC HEX NUT		04
21	0501110563	LEFT PIVOT BEARING WITH SLEEVE		01
22	0541055617	MANUAL CANISTER ASSY	9	01

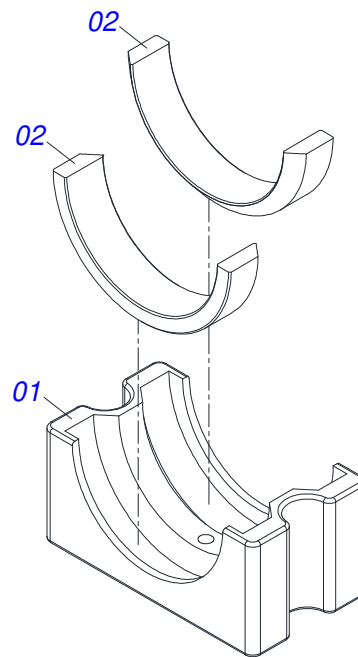




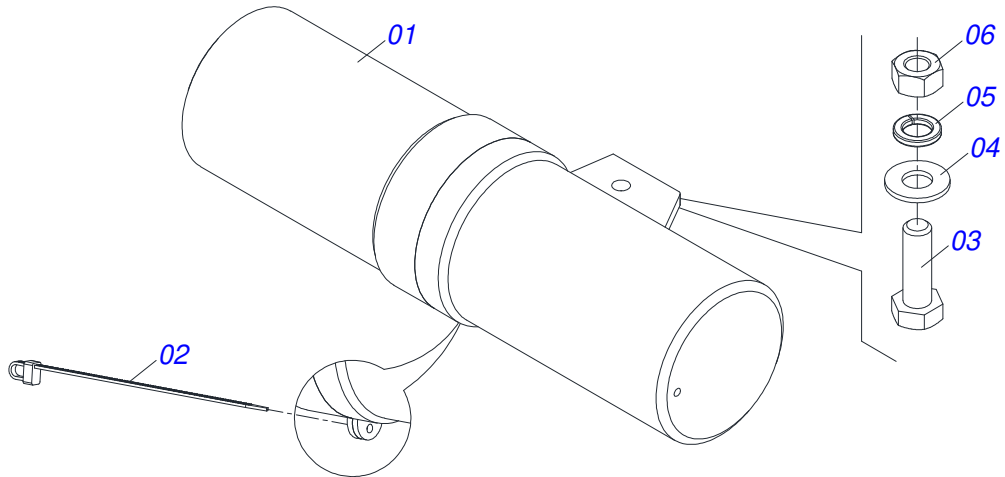
Item	Code	Description	See page	QT
01	0531068504	LEFT PISTON ROD		01
02	0521061685	114,30 X 500 CYLINDER CASE		01
03	0502012644	RING SUPPORT		01
04	0502011222	END CAP 4 . 1/2"		01
05	0503010002	1800 GREASE FITTING		02
06	0503015715	SCRAPER SEALING		01
07	0503015642	U-CUP SEALING RUUB000970		01
08	0503015641	WEAR RING		01
09	0503011892	O' RING, 2-346 N 3006-9B		01
10	0503011893	BACK-UP RING, 8-346		01
11	0503030384	PLUG N-001		02
12	0503015640	SEALING SELEMASTER		01
13	0561016578	PISTON BODY		01
14	0581015283	BODY		01
15	0503819100	SCREW		01
16	0591010867	ROD STOP 202		07
17	0503013389	5/8" SELF LOCKING NUT		02
18	0591010870	ROD STOP PIN ANCHOR		01
19	0501010301	FLAT WASHER 16 X 29,50 X 3,00		02
20	0591013805	ROD STOP		13
21	0501411498	0.60" X 0.90" X 13.60" BUSHING		02
22	0531068503	174 ROD STOP		01
23	0531068502	ROD STOP FIXING BOLT		02



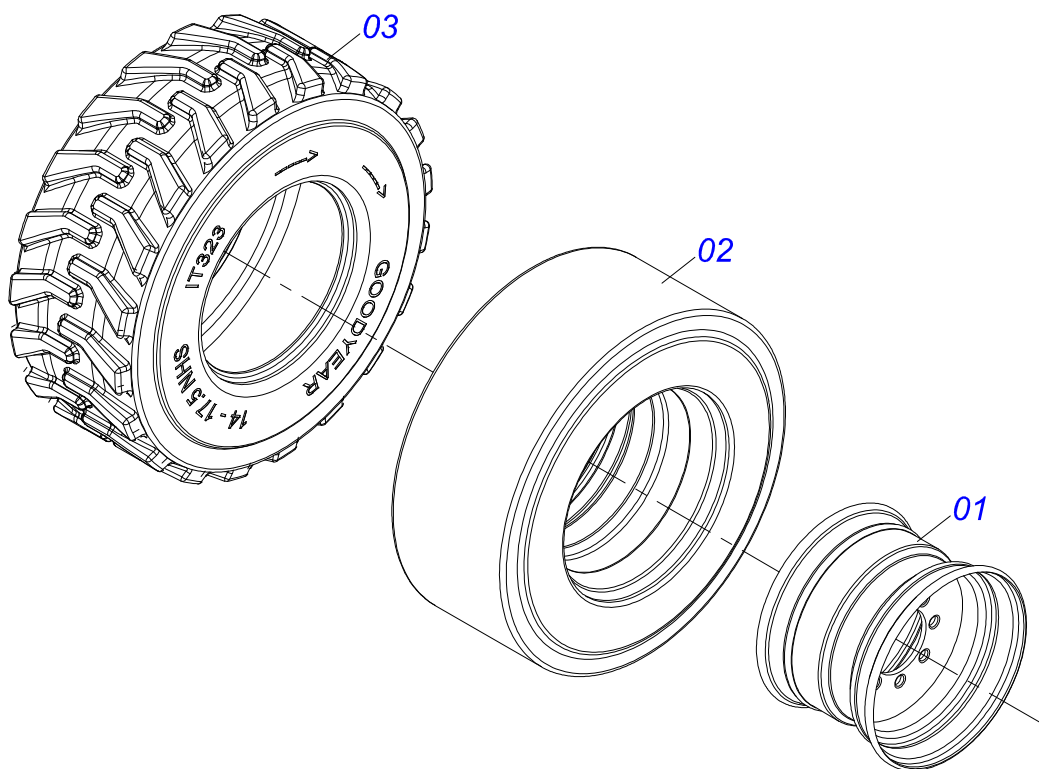
Item	Code	Description	See page	QT
01	0531068540	RIGHT PISTON ROD		01
02	0521061685	114,30 X 500 CYLINDER CASE		01
03	0502012644	RING SUPPORT		01
04	0502011222	END CAP 4 . 1/2"		01
05	0503010002	1800 GREASE FITTING		02
06	0503015715	SCRAPER SEALING		01
07	0503015642	U-CUP SEALING RUUB000970		01
08	0503015641	WEAR RING		01
09	0503011892	O' RING, 2-346 N 3006-9B		01
10	0503011893	BACK-UP RING, 8-346		01
11	0503030384	PLUG N-001		02
12	0503015640	SEALING SELEMASTER		01
13	0561016578	PISTON BODY		01
14	0581015283	BODY		01
15	0503819100	SCREW		01
16	0591010867	ROD STOP 202		07
17	0503013389	5/8" SELF LOCKING NUT		02
18	0591010870	ROD STOP PIN ANCHOR		01
19	0501010301	FLAT WASHER 16 X 29,50 X 3,00		02
20	0591013805	ROD STOP		13
21	0501411498	0.60" X 0.90" X 13.60" BUSHING		02
22	0531068503	174 ROD STOP		01
23	0531068502	ROD STOP FIXING BOLT		02



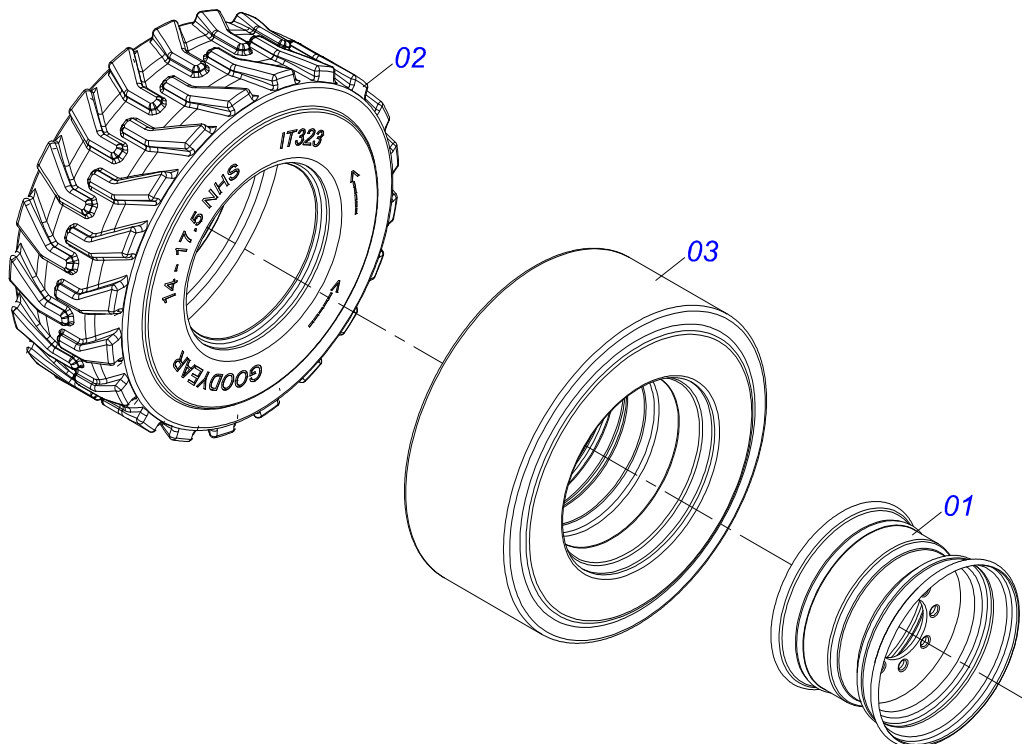
Item	Code	Description	See page	QT
01	0501213521	SEMI BEARING		01
02	0501213522	SUPPORT		02



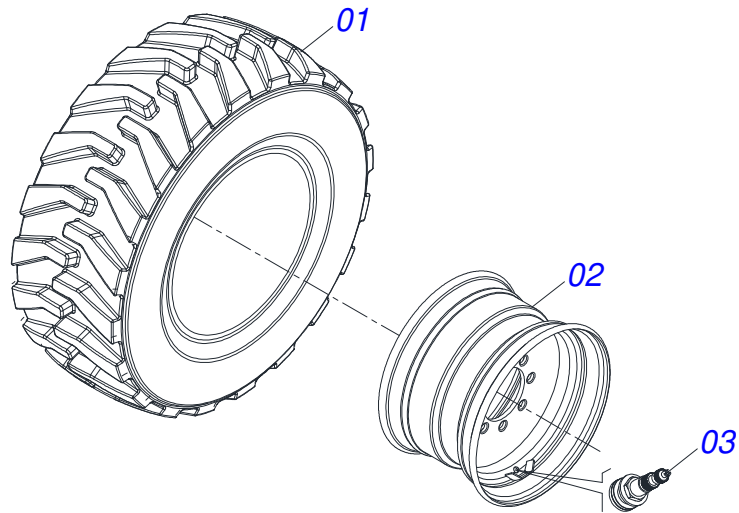
Item	Code	Description	See page	QT
01	0503060100	SUPPORT INSTRUCTION MANUAL		01
02	0503010267	NYLON CLAMP 3,60 X 1,3 X 155 MM		01
03	0503010363	BOLT 5/16 UNC X 1 C S G.2 ZN		01
04	0501010694	FLAT WASHER 8,50 X 18 X 1,50 ZN		01
05	0503010179	LOCK WASHER 5/16 ZN 1K01528		01
06	0503010337	NUT 5/16 UNC G.5 ZN		01



Item	Code	Description	See page	QT
01	0511065331	11.75 X 17.5 HOOP WHEEL		01
02	0503015355	INNER TIRE		01
03	0503013247	PLY TIRE		01

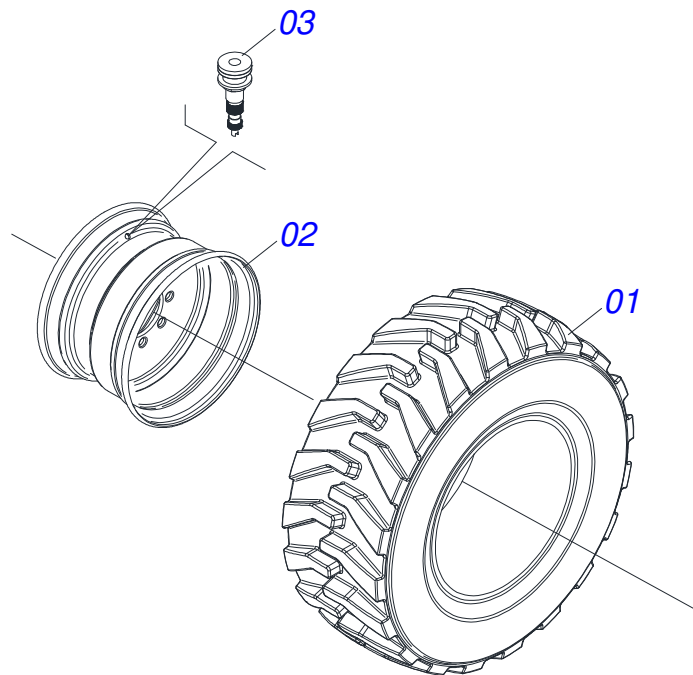


Item	Code	Description	See page	QT
01	0511065331	11.75 X 17.5 HOOP WHEEL		01
02	0503013247	PLY TIRE		01
03	0503015355	INNER TIRE		01

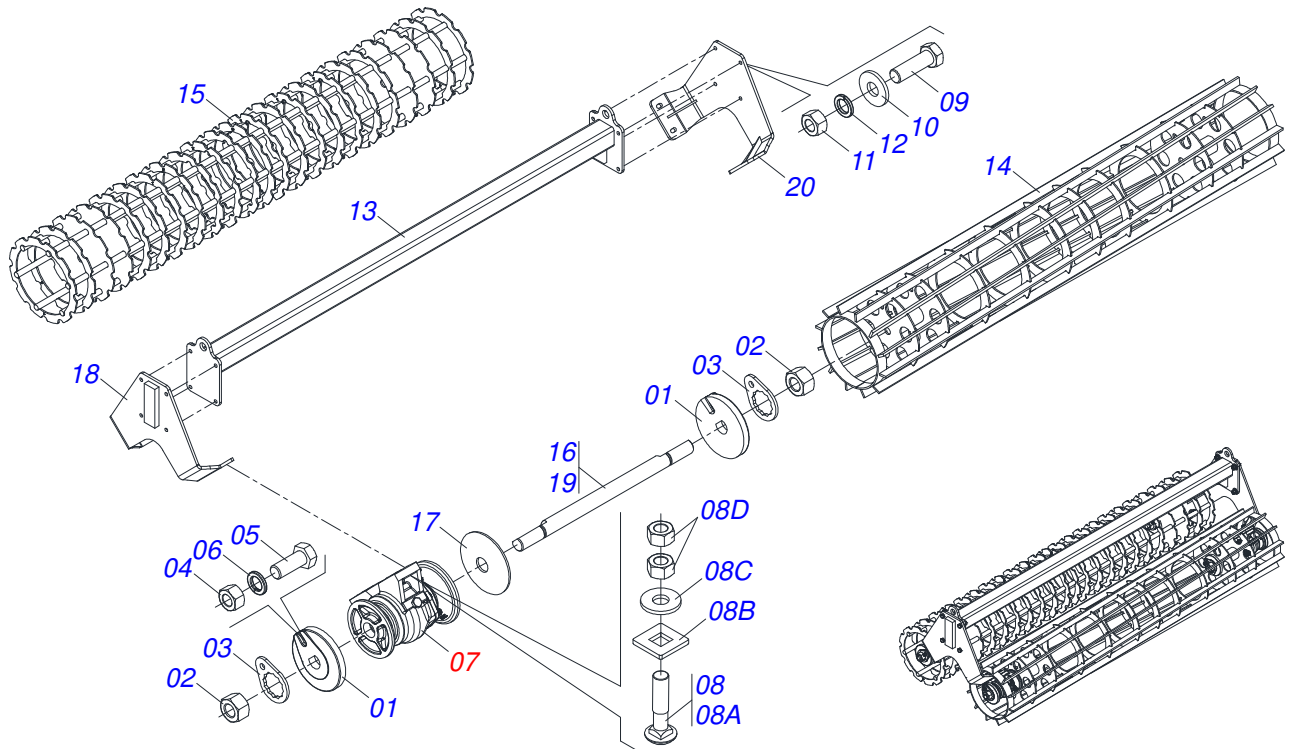


Item	Code	Description	See page	QT
01	0503018841	DIAGONAL TIRE		01
02	0503034460	WHEEL		01
03	0503013999	VALVE 16MM AGR		01

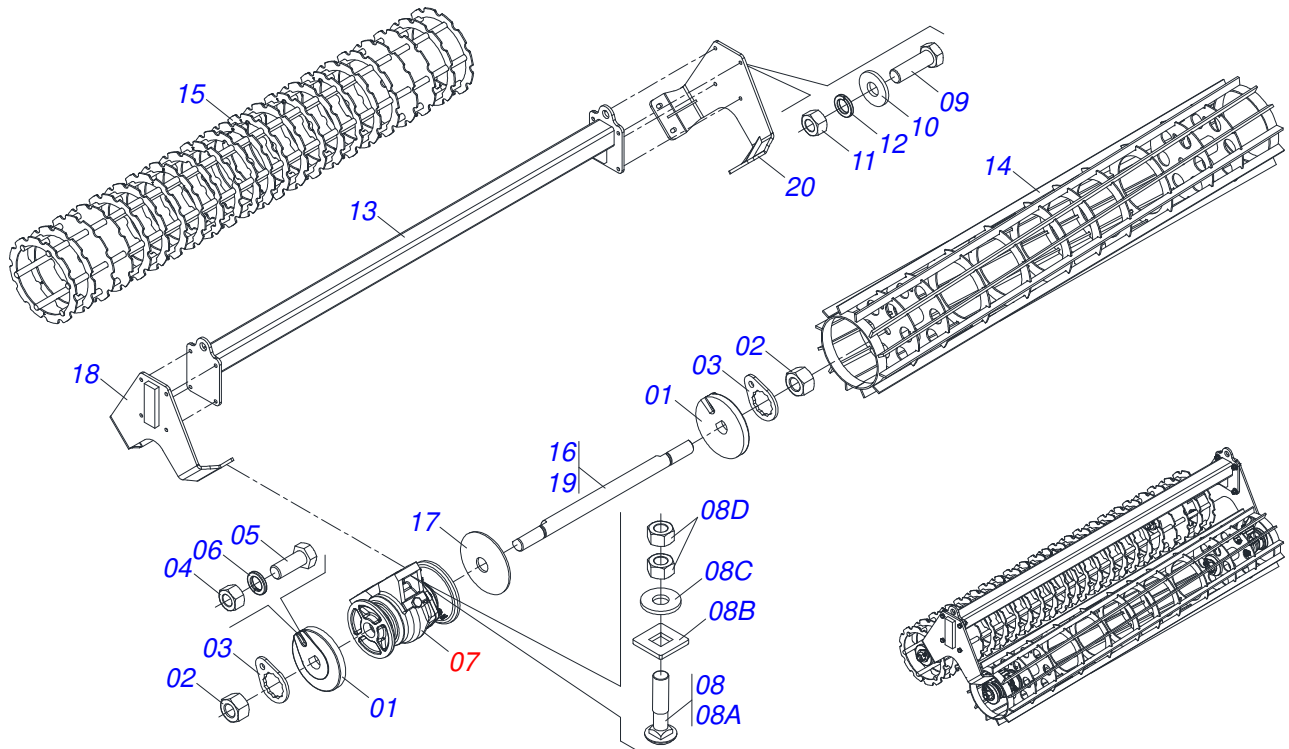




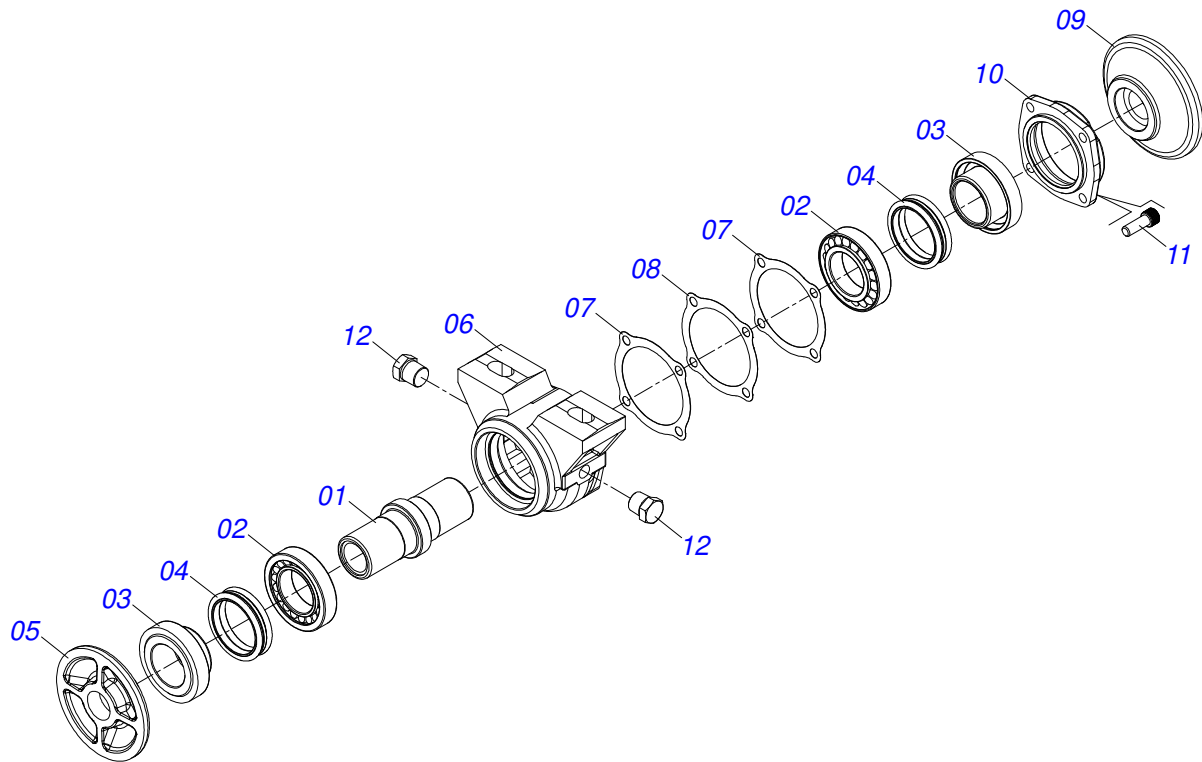
Item	Code	Description	See page	QT
01	0503018841	DIAGONAL TIRE		01
02	0503034460	WHEEL		01
03	0503013999	VALVE 16MM AGR		01



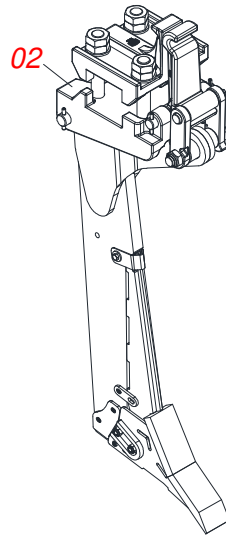
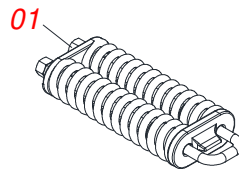
Item	Code	Description	See page	QT
01	0502010835	1-1/4" EXTERNAL AXLE WASHER		08
02	0501010087	1.1/4" NUT		08
03	0501010455	1.1/4" NUT LOCK		08
04	0503010060	1/2 UNC G.5 ZN HEX NUT		08
05	0501010161	BOLT 1/2" UNC X 1.1/4" C S G.2 ZN		08
06	0503011440	SPRING WASHER		08
07	0501046922	AGRICULTURAL BEARING DM OL 7 X 1.1/4 16 IMPLEMENT		04
08	0501058802	5/8 UNC X 2.3/4 BOLT ASSY		08
08A	0503015154	5/8" X 2.3/4" BOLT		01
08B	0501010947	5/8 NUT LOCK		01
08C	0501012140	FLAT WASHER 16,50 X 40 X 4,00 ZN		01
08D	0503010013	5/8 UNC G.5 ZN HEX NUT		02
09	0501010100	BOLT 5/8" UNC X 2 CS G.5 ZN		08
10	0501012140	FLAT WASHER 16,50 X 40 X 4,00 ZN		08
11	0503010013	5/8 UNC G.5 ZN HEX NUT		08
12	0503011445	SPRING WASHER		08
13	0531063707	ROLLER BAR		01
14	0531063661	1890 ROLLER		01
15	0531063724	1770 TANDEM ROLLER		01
16	0501010752	1.1/4 X 500 AXLE		02
17	0531018575	WASHER CONCAVE		04
18	0531063705	BEARING FIXATION SIDE WITH SPACING BAR		01
19	0501213269	1.1/4 X 435 AXLE		02
20	0531063706	DOUBLE ROLLER FIXATION SIDE		01



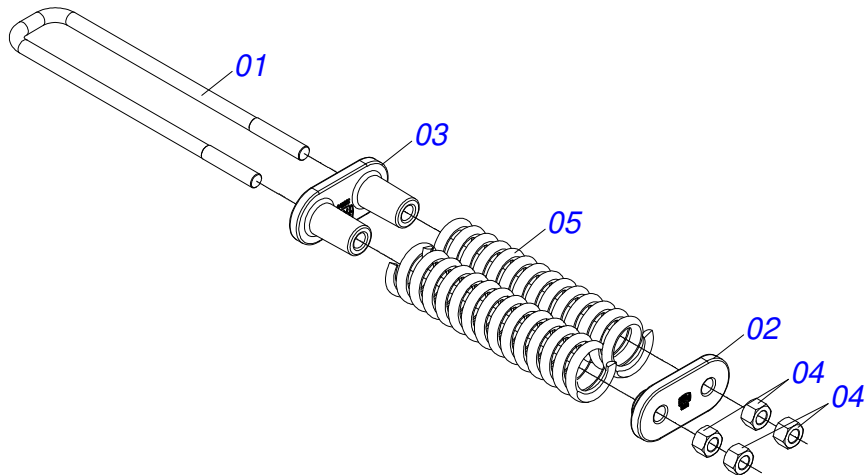
Item	Code	Description	See page	QT
01	0502010835	1-1/4" EXTERNAL AXLE WASHER		08
02	0501010087	1.1/4" NUT		08
03	0501010455	1.1/4" NUT LOCK		08
04	0503010060	1/2 UNC G.5 ZN HEX NUT		08
05	0501010161	BOLT 1/2" UNC X 1.1/4" C S G.2 ZN		08
06	0503011440	SPRING WASHER		08
07	0501046922	AGRICULTURAL BEARING DM OL 7 X 1.1/4 16 IMPLEMENT		04
08	0501058802	5/8 UNC X 2.3/4 BOLT ASSY		08
08A	0503015154	5/8" X 2.3/4" BOLT		01
08B	0501010947	5/8 NUT LOCK		01
08C	0501012140	FLAT WASHER 16,50 X 40 X 4,00 ZN		01
08D	0503010013	5/8 UNC G.5 ZN HEX NUT		02
09	0501010100	BOLT 5/8" UNC X 2 CS G.5 ZN		08
10	0501012140	FLAT WASHER 16,50 X 40 X 4,00 ZN		08
11	0503010013	5/8 UNC G.5 ZN HEX NUT		08
12	0503011445	SPRING WASHER		08
13	0531064043	ROLLER BAR		01
14	0531063760	2390 ROLLER		01
15	0531063759	2370 TANDEM ROLLER		01
16	0501010752	1.1/4 X 500 AXLE		02
17	0531018575	WASHER CONCAVE		04
18	0531063705	BEARING FIXATION SIDE WITH SPACING BAR		01
19	0501213269	1.1/4 X 435 AXLE		02
20	0531063706	DOUBLE ROLLER FIXATION SIDE		01



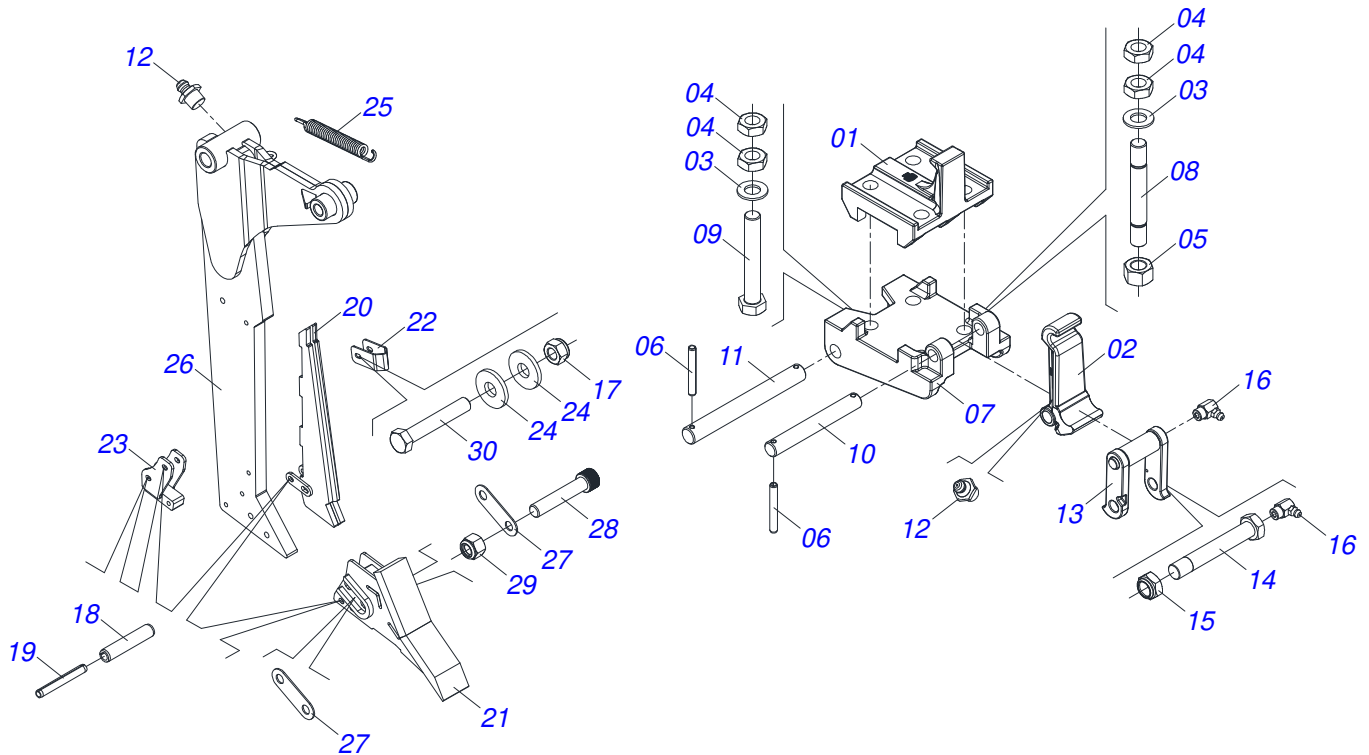
Item	Code	Description	See page	QT
01	0502040218	AXLE		01
02	0503010111	30210 ROLLER BEARING		02
03	0502010541	SEAL HOLDER		02
04	0503030026	SEAL LP JB-253		02
05	0502010071	INNER FLANGE		01
06	0502010540	HOUSING DM		01
07	0503030013	4.4" X 3.5" X 0.004" JOINT		02
08	0503030684	4.4" X 3.5" X 0.004" JOINT		01
09	0502010070	OUTER FLANGE		01
10	0502020424	HOUSING CAP 182/192,225		01
11	0503010134	3/8" X 1" BOLT		04
12	0503010856	OIL PLUG R 3/8 BSPT		02



Item	Code	Description	See page	QT
01	0501052884	1" X 23.03" FASTENER	18	01
02	0541055334	ROD NO SPRING	19	01

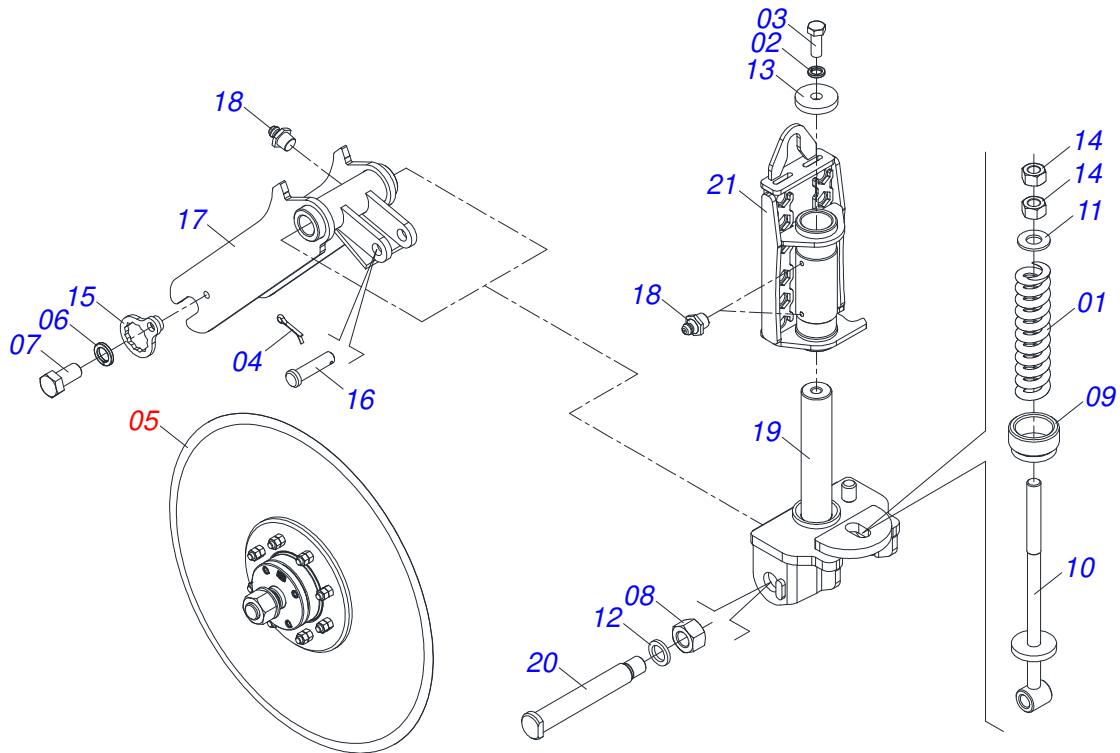


Item	Code	Description	See page	QT
01	0521017662	1" X 23.03" U FASTENER		01
02	0502011825	REAR FIXER SPRING		01
03	0502011824	FRONT FIXER SPRING		01
04	0503010340	1" NUT		04
05	0503031603	4" X 17" X 0.8" SPRING		02

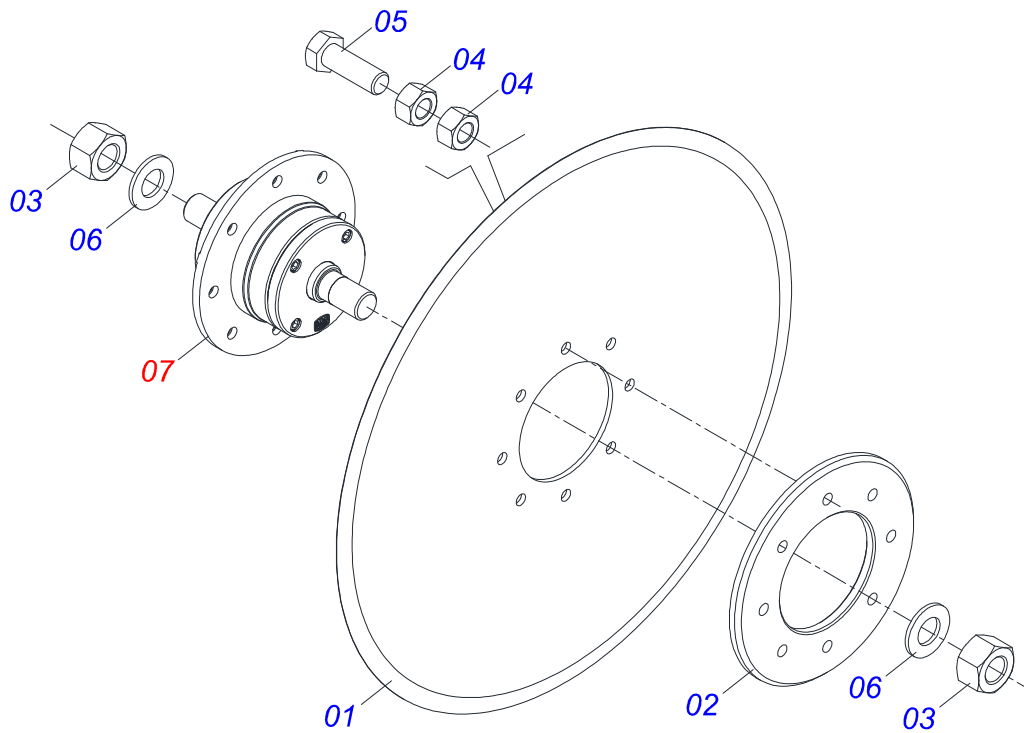


Item	Code	Description	See page	QT
01	0502011821	UPPER BASE		01
02	0502011823	SPRING FIXER ARM		01
03	0501017779	FLAT WASHER 32 X 60 X 4,75		04
04	0503013094	1.1/4" NUT		08
05	0503010352	1.1/4" UNF NUT		02
06	0503011877	0.3" X 2.4" SPRING PIN		04
07	0502011822	LOWER BASE		01
08	0541010119	1.1/4" X 9.5" FASTENER		02
09	0521017351	1-1/4" X 8" BOLT		02
10	0521017366	1.1" X 7.7" AXLE		01
11	0521017367	1.2" X 10.1" AXLE		01
12	0503010002	1800 GREASE FITTING		02
13	0531062682	PULLEY FIXING		01
14	0591019809	BOLT 1 UNC X 6.1/2		01
15	0503014182	SELF-ADJUSTING NUT		01
16	0503010004	1890 GREASE FITTING		02
17	0503013357	3/8 SELF-ADJUSTING NUT		01
18	0503011265	10MM X 50MM SPRING PIN		04
19	0503010775	SPRING PIN		04
20	0531068621	TOP BLADE		01
21	0531068623	SUBSOLING TIP		01
22	0501412008	TOP BLADE LOCK		01
23	0531068624	BIGGER TIP LOCK		01
24	0501010984	10,50 X 27 X 3,00 FLAT WASHER		02
25	0503031574	6.9" X 0.8" X 0.1" TRACTION SPRING		01
26	0531069278	ROD		01
27	0501415575	SPACER PLATE		02
28	0503010770	1/2" X 2-1/2" BOLT		02
29	0503010589	1/2" UNC SELF ADJUSTING NUT		02
30	0503011179	3/8" X 2-1/4" BOLT		01

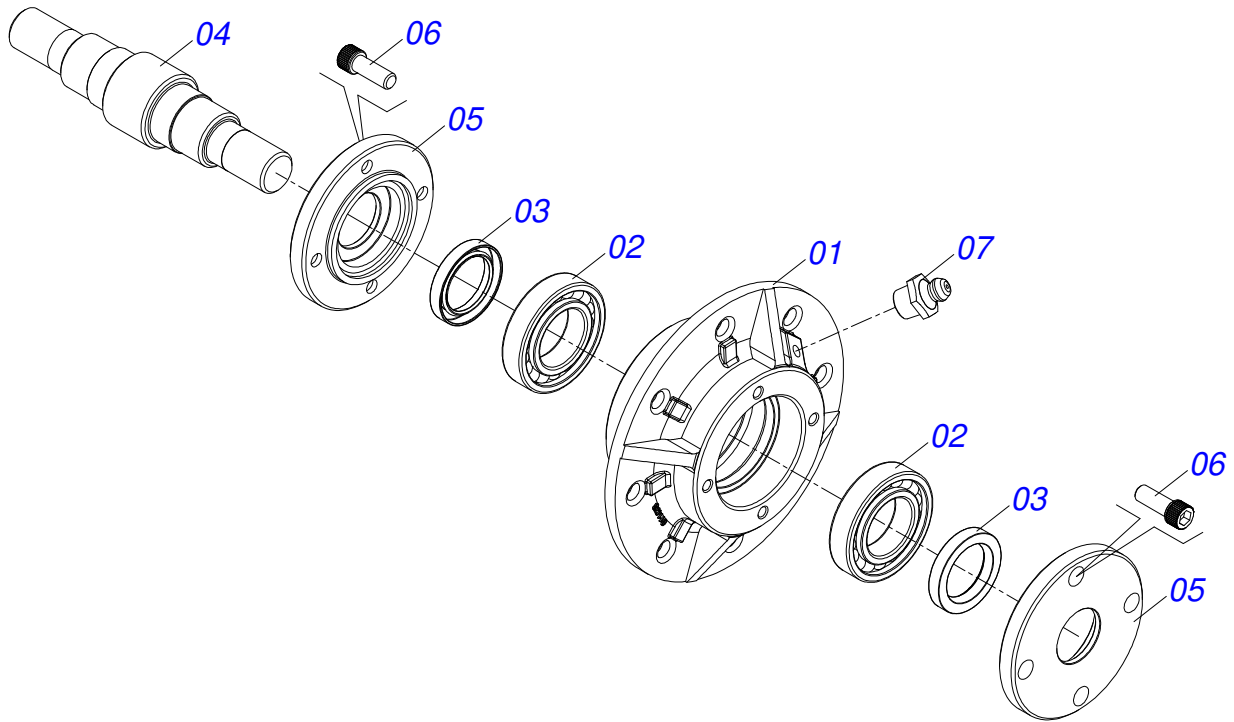




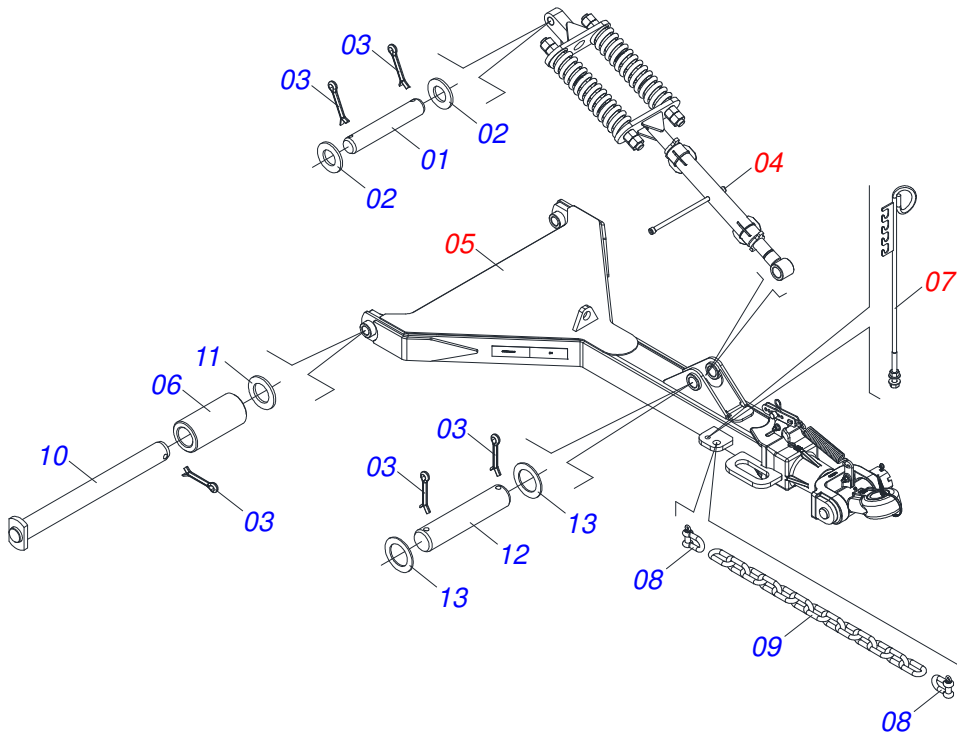
Item	Code	Description	See page	QT
01	0503031593	SPRING		01
02	0503011442	3/4" SPRING WASHER		01
03	0501010098	BOLT 3/4" UNC X 2 C S G.5 ZN		01
04	0503010571	1/4" X 1.1/2" SPLIT PIN		01
05	0541050139	26" DISC BLADE WITH HUB	21	01
06	0503011445	SPRING WASHER		02
07	0503010962	5/8" X 1-1/4" BOLT		02
08	0501010087	1.1/4" NUT		01
09	0511062801	SPRING FIXER SLEEVE		01
10	0511061612	SPRING ROD		01
11	0501010065	1" SPRING WASHER		01
12	0521012664	FLAT WASHER		01
13	0521012660	SWIVEL BASE WASHER		01
14	0503012182	1" NUT		02
15	0501069637	SHAFT NUT LOCK		02
16	0521012659	SPRING ROD FIXER SHAFT		01
17	0531066189	26" DISC BLADE SUPPORT		01
18	0503010002	1800 GREASE FITTING		03
19	0511061619	SWIVEL BASE		01
20	0521012662	SWIVEL BASE SUPPORT SHAFT		01
21	0531068638	DISC BLADE SUPPORT		01



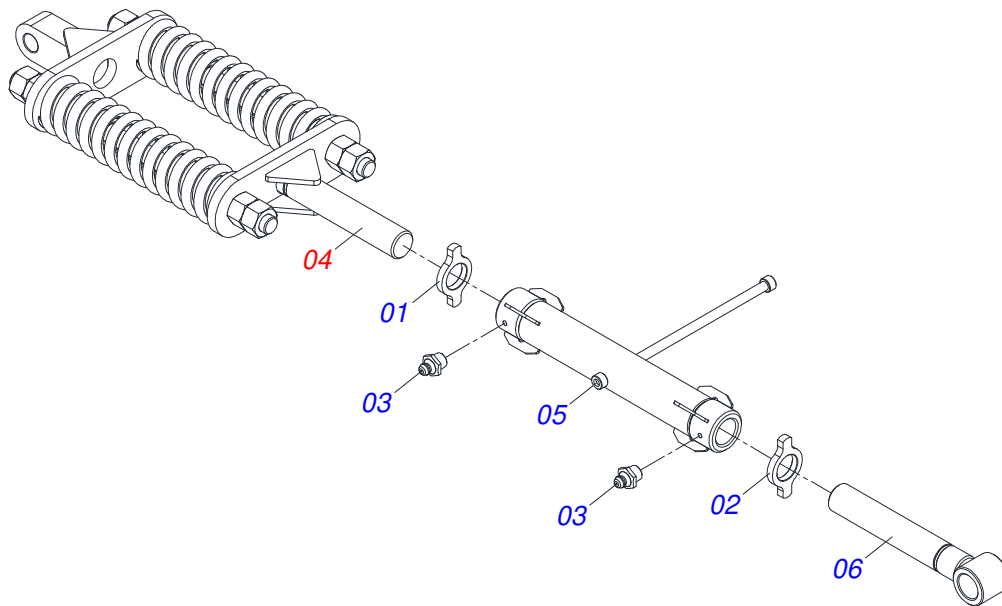
Item	Code	Description	See page	QT
01	0603032026	DPL26X6 AFDFR135+8FR D470 TATU		01
02	0521011824	DISC BLADE SUPPORT FLANGE		01
03	0501010087	1.1/4" NUT		02
04	0503010060	1/2 UNC G.5 ZN HEX NUT		16
05	0503010905	1/2" X 2-1/4" BOLT		08
06	0501017779	FLAT WASHER 32 X 60 X 4,75		02
07	0501057526	DISC HUB	22	01



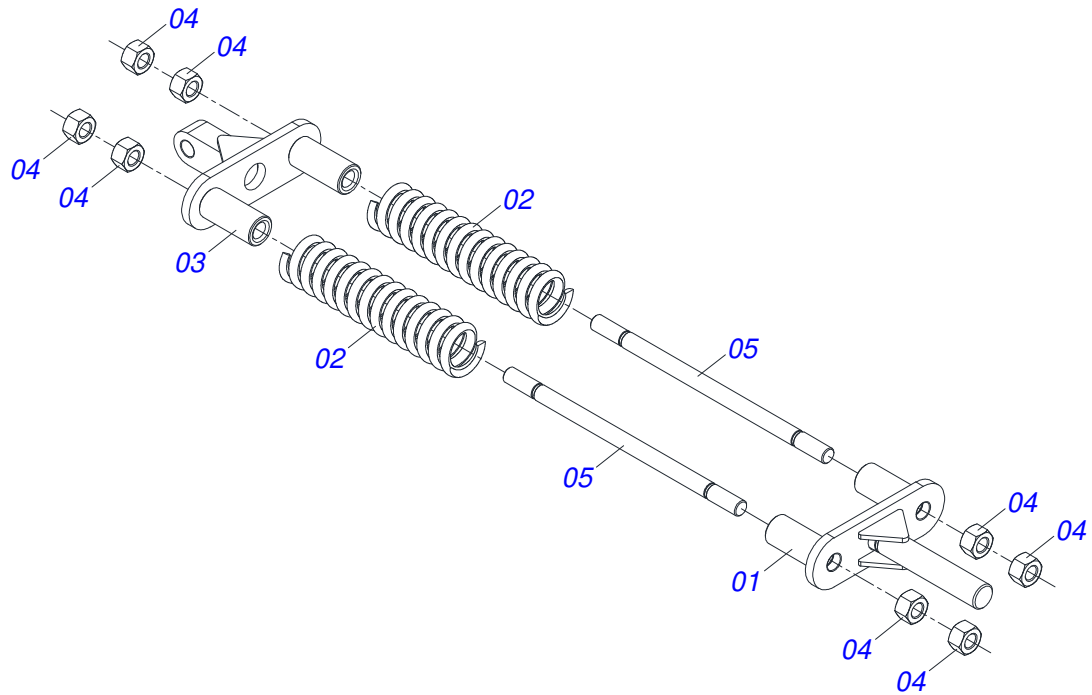
Item	Code	Description	See page	QT
01	0502011478	DISC HUB		01
02	0503011291	6209 BALL BEARING		02
03	0503012106	SEAL RETAINER 00521-BR		02
04	0521012661	DISC BLADE HUB AXLE		01
05	0502011477	DISC BLADE HUB LID		02
06	0503010134	3/8" X 1" BOLT		08
07	0503010002	1800 GREASE FITTING		01



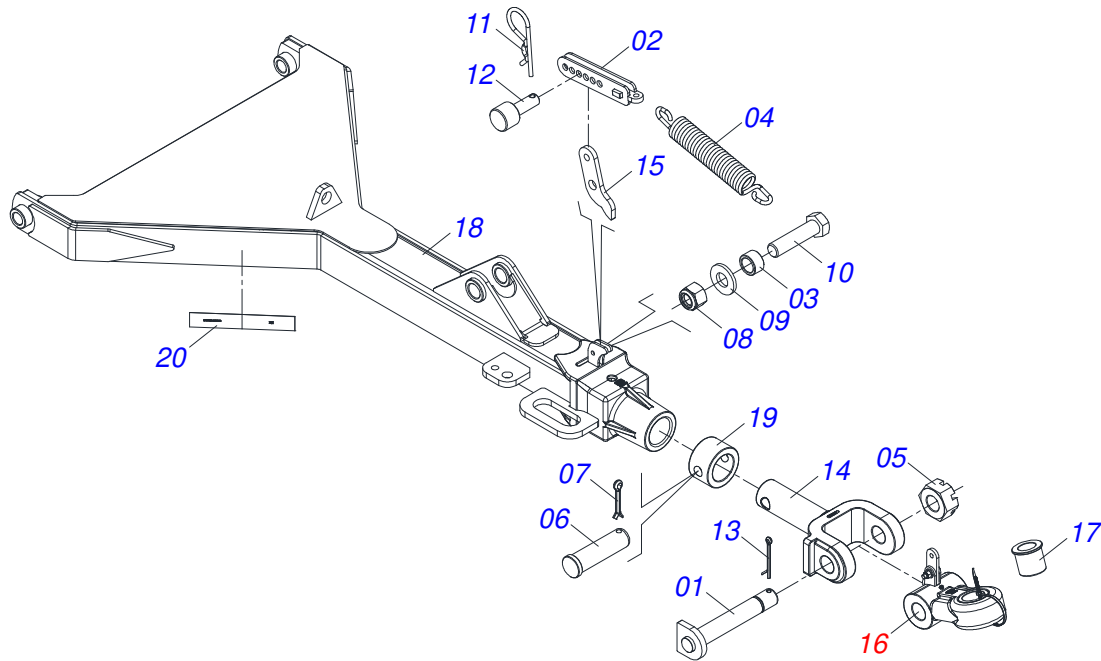
Item	Code	Description	See page	QT
01	0501414155	1.25" X 7.30" PIN WITH HOLES		01
02	0501017779	FLAT WASHER 32 X 60 X 4,75		02
03	0503010534	3/8" X 2.1/2" SPLIT PIN		06
04	0541054870	EXTENDER SET ASSY	24	01
05	0541054869	DRAWBAR SEMI-ASSEMBLED	26	01
06	0501414154	1.50" X 2.50" X 5.10" BUSHING		02
07	0501040257	3/4" X 38" HOSE SUPPORT ASSY	28	01
08	0503014321	CABLE STEEL SHACKLE		02
09	0503014120	CHAIN		01
10	0531068615	LOCK PIN		02
11	0501012916	FLAT WASHER 40 X 66 X 4,75 ZN		02
12	0501314620	1.3/4 X 210MM PIN		01
13	0561011851	FLAT WASHER		02



Item	Code	Description	See page	QT
01	0561019303	RIGHT LOCKNUT		01
02	0561019304	LEFT LOCKNUT		01
03	0503010002	1800 GREASE FITTING		02
04	0541051825	EXTENDER CLAMP WITH SPRING	25	01
05	0531069069	R2 UNC 8FPP X 20" EXTENDER		01
06	0531066931	SPINDLE R 2 UNC 8FPP LEFT EXTENDER		01

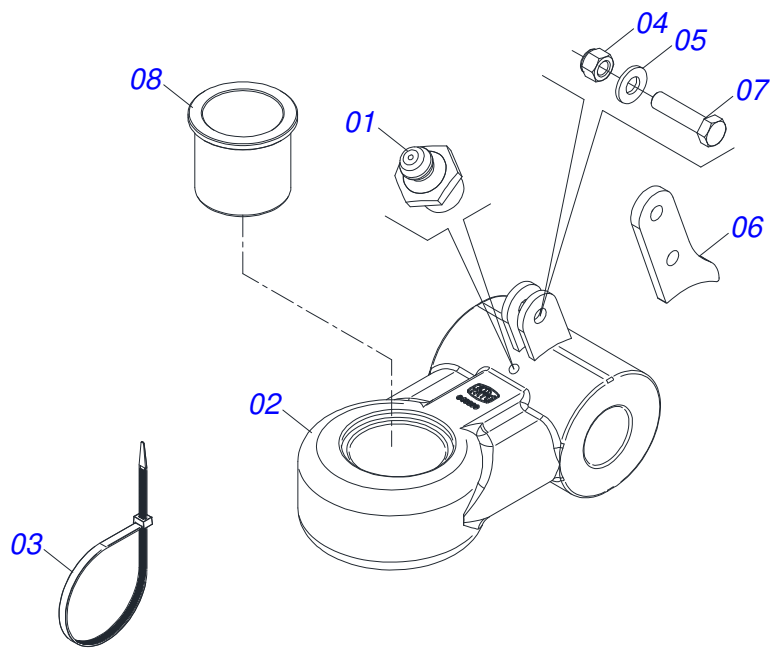


Item	Code	Description	See page	QT
01	0531066937	FRONT GUIDE MOLDS EXTENDER		01
02	0503031603	4" X 17" X 0.8" SPRING		02
03	0531066986	REAR GUIDE SPRING EXTENDER		01
04	0501010087	1.1/4" NUT		08
05	0501315554	ROD 1.1/4 X 600		02

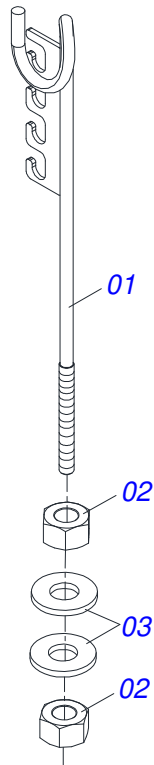


Item	Code	Description	See page	QT
01	0531061122	AXIS ARTICULATOR		01
02	0531061607	SPRING REGULATOR		01
03	0591014552	SLEEVE		01
04	0503031741	1.8" X 11.4" 0.3" TRACTION SPRING		01
05	0502040558	2" CASTLE NUT		01
06	0501314638	DRAWBAR LOCK PIN		01
07	0503010534	3/8" X 2.1/2" SPLIT PIN		01
08	0503010589	1/2" UNC SELF ADJUSTING NUT		01
09	0501010937	13,50 X 28 X 3,00 FLAT WASHER		01
10	0503010740	BOLT 1/2 UNC X 2 CS G.5 ZN		01
11	0503030285	HITCH PIN CLIP		01
12	0591014558	SPRING REGULATOR FIXER AXLE		01
13	0503010074	3/8" X 4" SPLIT PIN		01
14	0502040897	3" U HITCH		01
15	0591014554	REAR SUPPORT FIXING SPRING		01
16	0531040171	HITCH ASSY	27	01
17	0591013086	SLEEVE 52,8 X 78 X 76 (PIN 2")		01
18	0531066989	DRAWBAR		01
19	0502040263	HITCH LOCK RING		01
20	0503013229	REFLECTIVE SIDE BAND		02

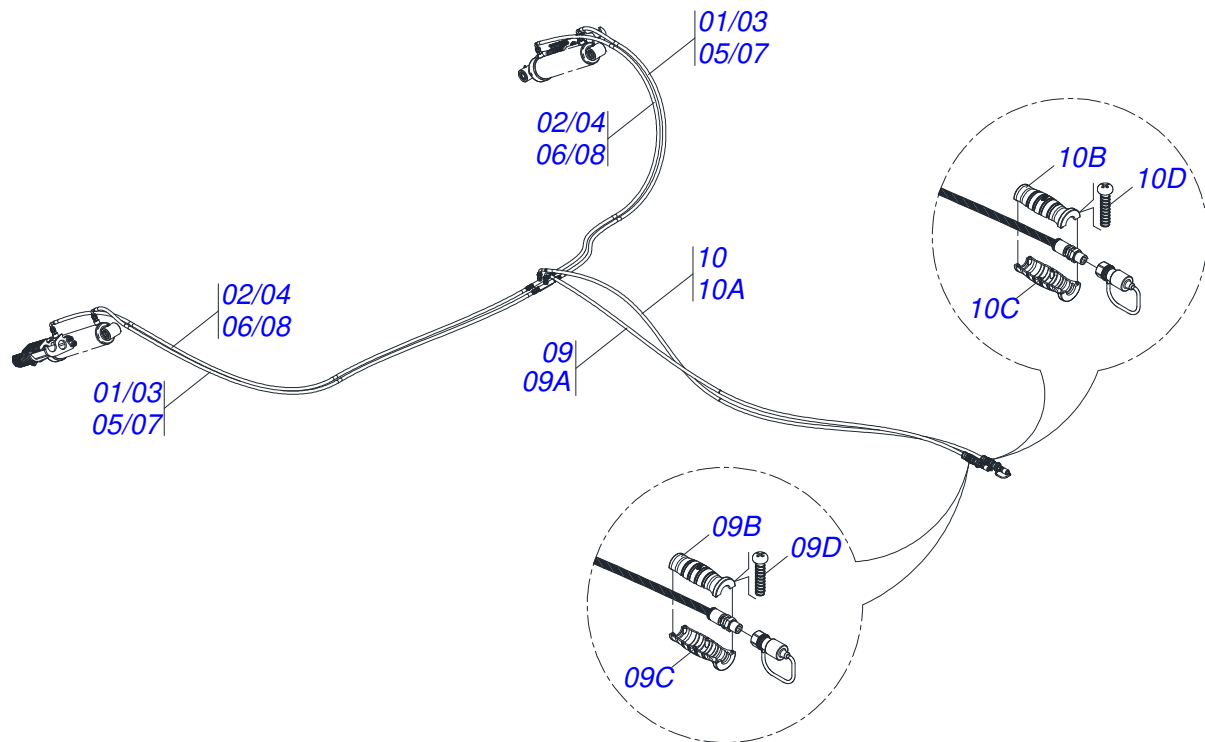




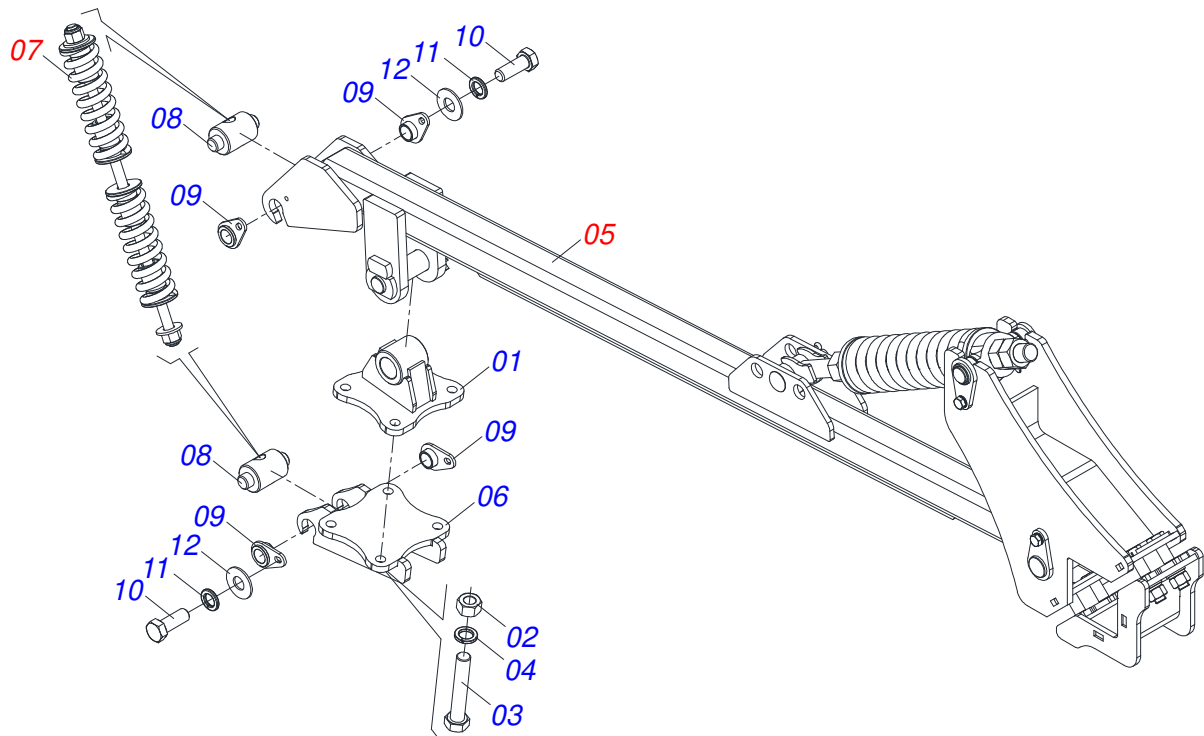
Item	Code	Description	See page	QT
01	0503010002	1800 GREASE FITTING		01
02	0531061121	HITCH		01
03	0503018829	NYLON CLAMP 7,8 X 1,8 X 390 MM		01
04	0503010589	1/2" UNC SELF ADJUSTING NUT		01
05	0501010937	13,50 X 28 X 3,00 FLAT WASHER		01
06	0591014555	FRONT SUPPORT FIXING SPRING		01
07	0503010740	BOLT 1/2 UNC X 2 CS G.5 ZN		01
08	0591013448	SLEEVE 65,50 X 78 X 76 (PIN 2.1/2")		01



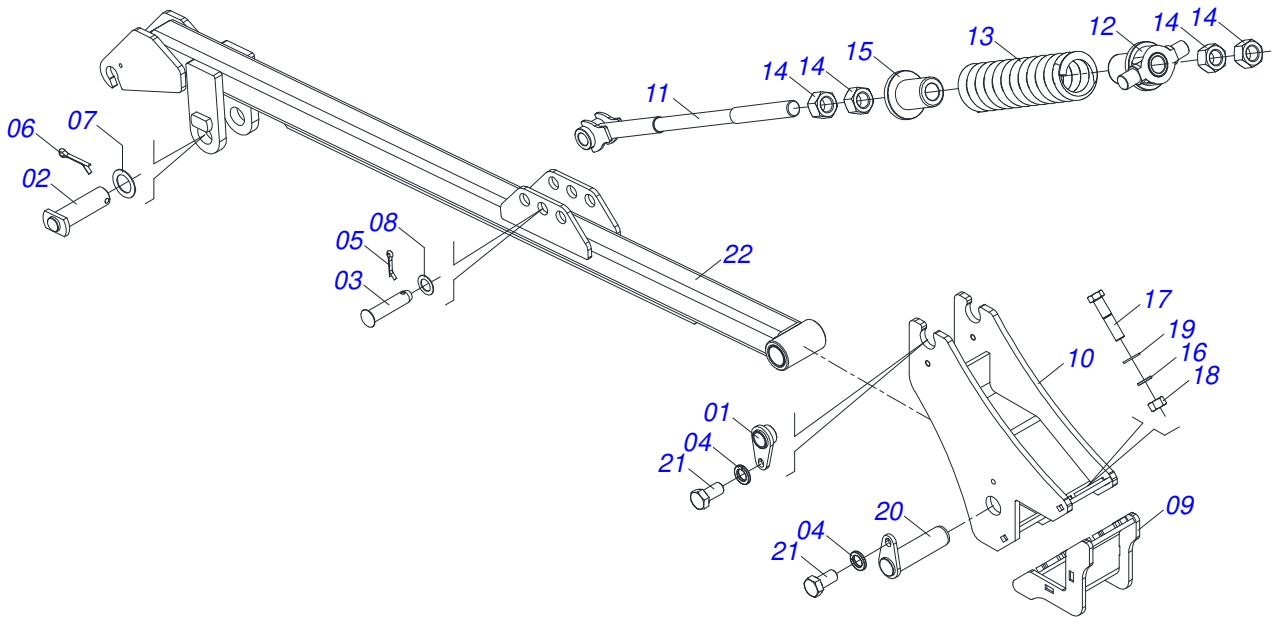
Item	Code	Description	See page	QT
01	0511067334	HOSE SUPPORT		01
02	0503010014	3/4" ZN G.5 (HEAVY) UNC HEX NUT		02
03	0501010322	20,50 X 46 X 4,00 ZN FLAT WASHER		02



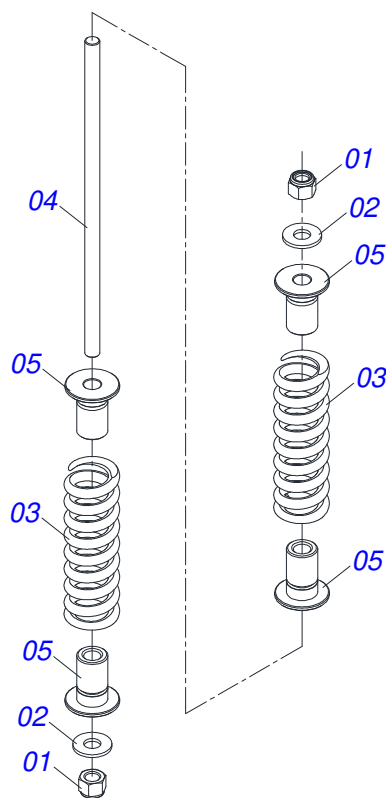
Item	Code	Description	See page	05	07	09	11
01	0501080401	3/8" X 106.30" TR-TC HOSE		02	00	00	00
02	0501080397	3/8" X 118.10" TR-TC HOSE		02	00	00	00
03	0501080526	3/8" X 114.20" TR-TC HOSE		00	02	00	00
04	0501080408	3/8" X 126" TR-TC HOSE		00	02	00	00
05	0501080408	3/8" X 126" TR-TC HOSE		00	00	02	00
06	0501080720	3/8" X 137.80" TR-TC HOSE		00	00	02	00
07	0501081988	3/8" X 145.70" TR-TC HOSE		00	00	00	02
08	0501080605	3/8" X 157.50" TR-TC HOSE		00	00	00	02
09	0521054613	3/8" X 145.70" TC-TM BLACK/RED HOSE		01	01	01	01
09A	0501080622	3/8" X 145.70" TC-TM HOSE		01	01	01	01
09B	0503034495	HYDRAULIC HOSE GRIP (RED)		01	01	01	01
09C	0503034492	HYDRAULIC HOSE GRIP (BLACK)		01	01	01	01
09D	0503018952	PH 2,5 X 10 ZB PLASTIC BOLT		06	06	06	06
10	0521054614	3/8" X 145.70" TC-TM BLACK/BLUE HOSE		01	01	01	01
10A	0501080622	3/8" X 145.70" TC-TM HOSE		01	01	01	01
10B	0503034494	HYDRAULIC HOSE GRIP (BLUE)		01	01	01	01
10C	0503034492	HYDRAULIC HOSE GRIP (BLACK)		01	01	01	01
10D	0503018952	PH 2,5 X 10 ZB PLASTIC BOLT		06	06	06	06



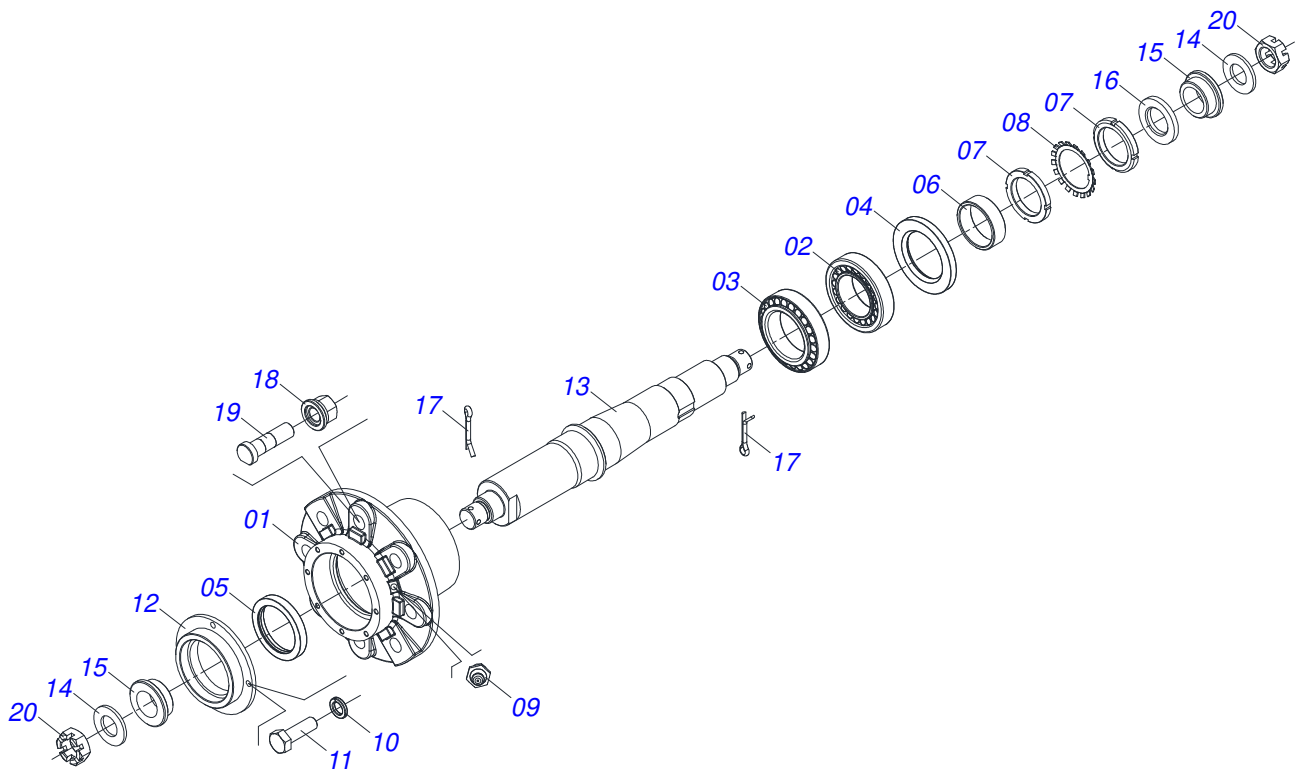
Item	Code	Description	See page	QT
01	0531063710	DOUBLE ROLLER FIXER		01
02	0503010013	5/8 UNC G.5 ZN HEX NUT		04
03	0501013867	BOLT 5/8" UNC X 6 CS G.5 ZN		04
04	0503010027	5/8 SPRING WASHER		04
05	0541054114	ROLLER ARM	31	01
06	0531068446	LOWER PLAT		01
07	0531045753	DOUBLE ROLLER STABILIZER	32	01
08	0501411209	BUSHING		02
09	0531068518	ROLLER ARM SUPPORT		04
10	0503010237	3/8" X 1" BOLT		04
11	0503010025	3/8" SPRING WASHER		04
12	0501013518	FLAT WASHER 10,50 X 24 X 1,50 ZN		04



Item	Code	Description	See page	QT
01	0521063151	TRUNNION LOCK ARTICULATOR SPRING ROD		02
02	0531063711	ARTICULATION AXLE		01
03	0521010578	COUPLING SHAFT		01
04	0503010019	1/2" SPRING WASHER		03
05	0503010523	1/4 X 2 SPLIT PIN		01
06	0503012267	5/16 X 3 SPLIT PIN		01
07	0511019685	FLAT WASHER		01
08	0511015346	FLAT WASHER		01
09	0531066768	FIXING SUPPORT		01
10	0531066767	FIXING SUPPORT		01
11	0531066771	SPRING ROD R. 1.1/4 UNC X 637		01
12	0531066769	SUPPORT TRUNNION		01
13	0503034531	COMPRESSSION SPRING		01
14	0503012181	1.1/4" NUT		04
15	0501314102	SPRING GUIDE BUSHING		01
16	0503010023	3/4" SPRING WASHER		04
17	0501010195	3/4" X 3-1/2" BOLT		04
18	0503012183	SNC 3/4" ZIN 1K03097 NUT		04
19	0501010941	FLAT WASHER		04
20	0531066770	PIN		01
21	0503010834	1/2 X 1 BOLT		03
22	0501111309	DOUBLE ROLLER ARM		01

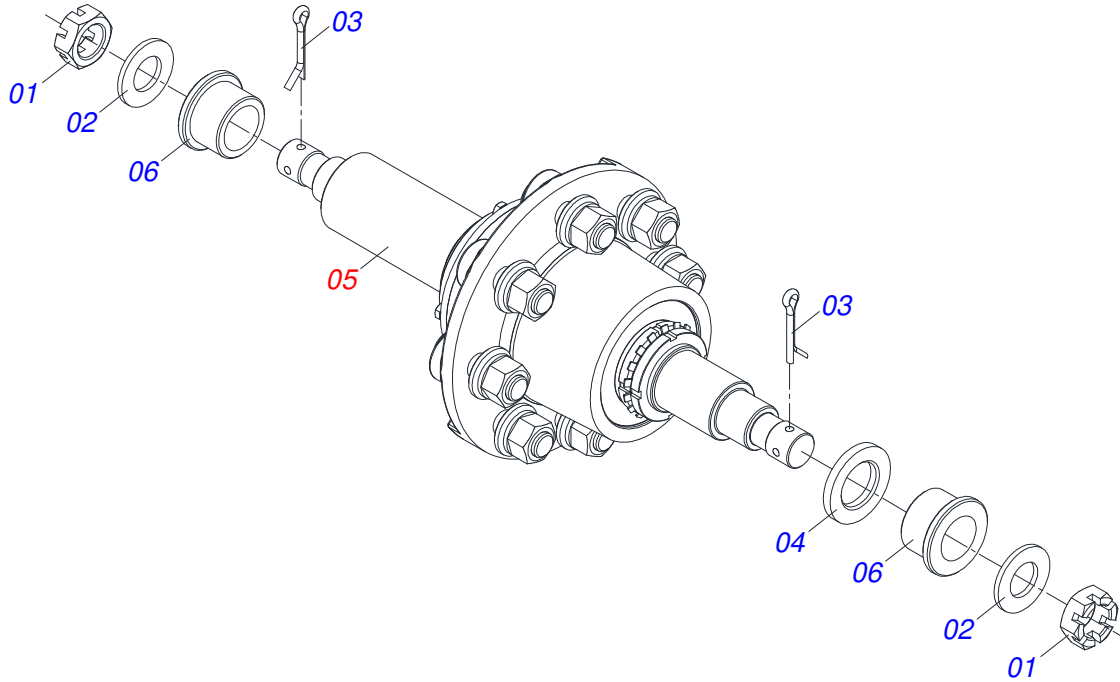


Item	Code	Description	See page	QT
01	0503011075	3/4 UNC LOCK NUT		02
02	0501010104	FLAT WASHER 45 X 20 X 4		02
03	0503035660	COMPRESSION SPRING		02
04	0501411213	SPRING ROD		01
05	0531068448	SPRING LIMITER		04

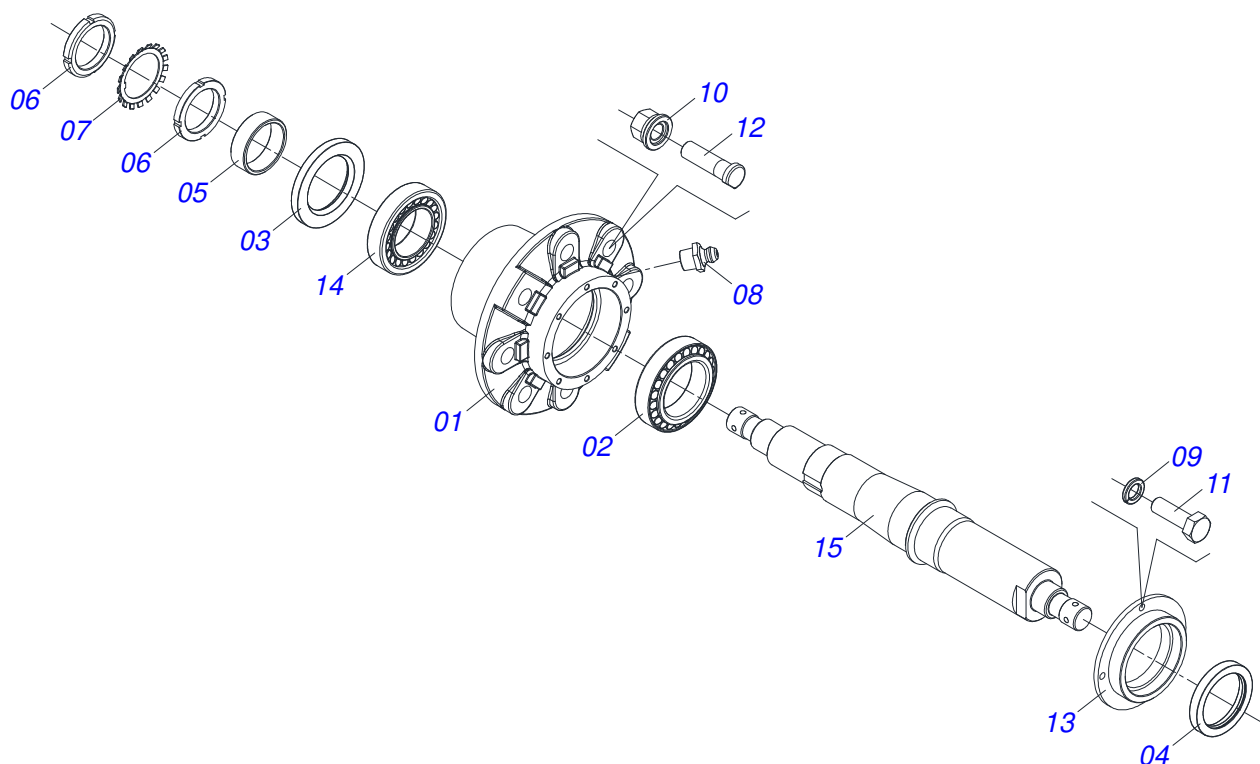


Item	Code	Description	See page	QT
01	0502040760	CARRYING WHEEL HUB		01
02	0503010007	3982/3920 ROLLER BEARING		01
03	0503010059	33287/33462 ROLLER BEARING		01
04	0503010009	RETAINER 00573-B		01
05	0503010086	SEAL 0009B-B		01
06	0551014473	SLEEVE		01
07	0503012702	KM-12 NUT		02
08	0503012703	LOCK WASHER		01
09	0503010002	1800 GREASE FITTING		01
10	0503011444	SPRING WASHER 5/16"		04
11	0503010363	BOLT 5/16 UNC X 1 C S G.2 ZN		04
12	0511068415	SEAL GUIDE		01
13	0501411993	WHEEL SHAFT		01
14	0501017779	FLAT WASHER 32 X 60 X 4,75		02
15	0551014511	CARRYING WHEEL AXIS GUIDE SLEEVE		02
16	0551014508	FLAT WASHER		01
17	0503010010	1/4" X 2.1/2" SPLIT PIN		02
18	0503014048	HEX NUT M22 X 1,5" CH 32 X 33,5		08
19	0503014050	BOLT M22 X 1,5 X 77/87 188RT		08
20	0503011052	1.1/4" X 0.77" CASTLE NUT		02

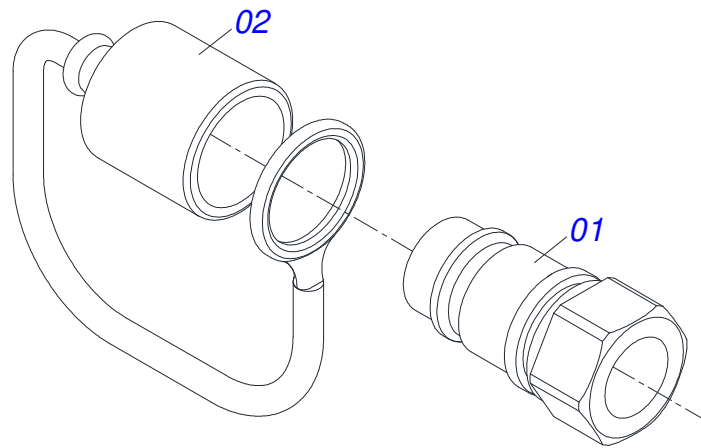




Item	Code	Description	See page	QT
01	0503011052	1.1/4" X 0.77" CASTLE NUT		02
02	0501017779	FLAT WASHER 32 X 60 X 4,75		02
03	0503010010	1/4" X 2.1/2" SPLIT PIN		02
04	0551014508	FLAT WASHER		01
05	0541055606	CARRYING-WHEEL NO TIRE	35	01
06	0501415290	GUIDE BUSHING		02



Item	Code	Description	See page	QT
01	0502040760	CARRYING WHEEL HUB		01
02	0503010059	33287/33462 ROLLER BEARING		01
03	0503010009	RETAINER 00573-B		01
04	0503010086	SEAL 0009B-B		01
05	0551014473	SLEEVE		01
06	0503012702	KM-12 NUT		02
07	0503012703	LOCK WASHER		01
08	0503010002	1800 GREASE FITTING		01
09	0503011444	SPRING WASHER 5/16"		04
10	0503014048	HEX NUT M22 X 1,5" CH 32 X 33,5		08
11	0503010363	BOLT 5/16 UNC X 1 C S G.2 ZN		04
12	0503014050	BOLT M22 X 1,5 X 77/87 188RT		08
13	0511068415	SEAL GUIDE		01
14	0503010007	3982/3920 ROLLER BEARING		01
15	0501415291	CARRYING-WHEEL SHAFT		01



Item	Code	Description	See page	QT
01	0503011627	MALE QUICK COUPLER AGR 1/2 NPT		01
02	0503011882	MALE QUICK COUPLER CAP		01





***civemasa***

**Technical Publications | Elaboration and Revision**  
LEONARDO JOSÉ DA SILVA SOUZA

[www.civemasa.com.br](http://www.civemasa.com.br)

