

DISK HARROWS

SIC 48D - AXIS 1.3/4" - PN400/60

Code: 0501093649
Series: S-0412
Revision: 00
Revision Date: AGOSTO/2023

PARTS CATALOGUE

CIVEMASA

A solid orange horizontal bar located at the top left of the page.

PRODUCTS

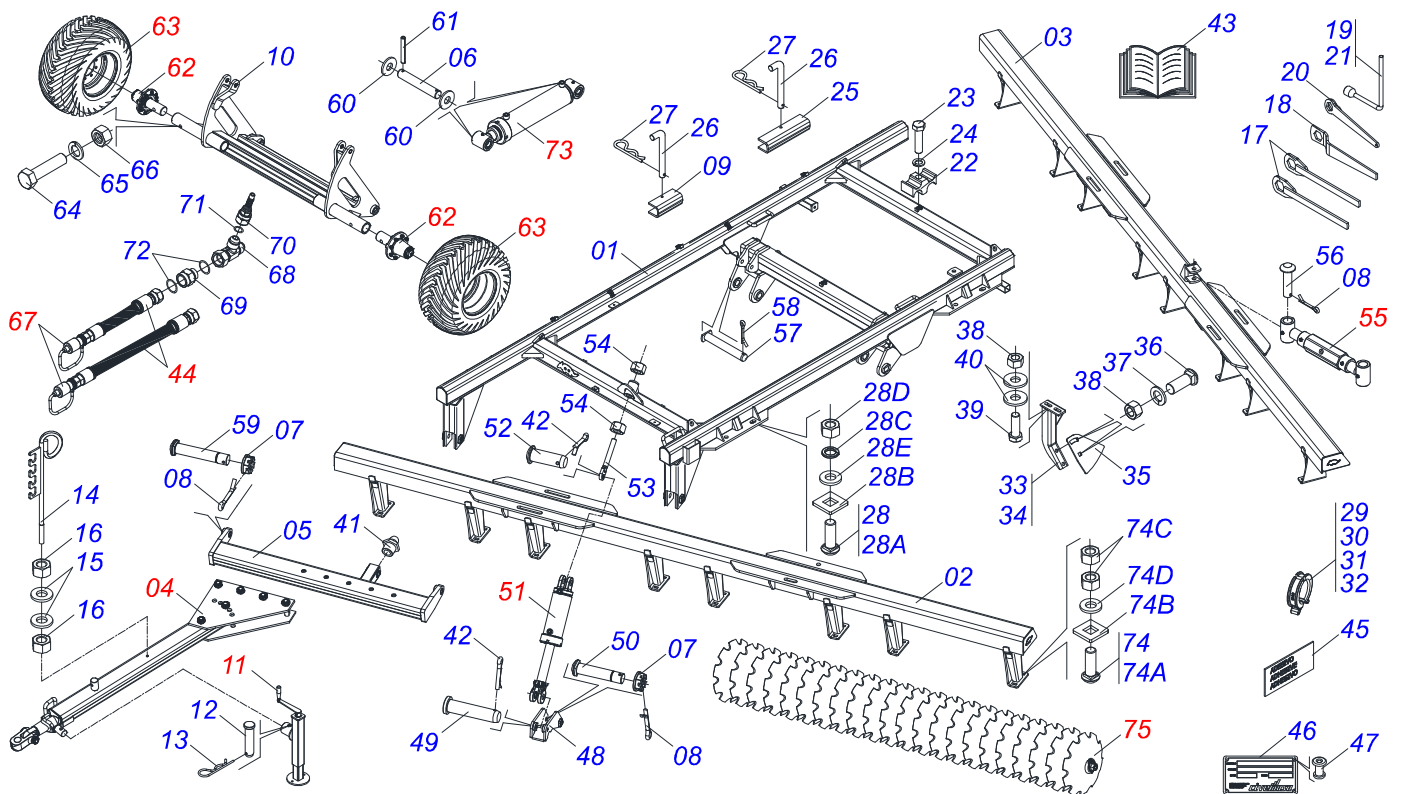
Code	Description
0121140100	SIC 48X28X7,5 DR DM E 1.3/4 C/PROT PN400/60 S-0412

ATTENTION: IMPORTANT

CIVEMASA reserves the right to improve and/or modify the technical features of its products, without obligation to do the same with those products already sold and without prior knowledge of the dealer or the customer. The photos are only illustrative.

INDEX

0909091287	ASSY FRAME	1
0521041026	DRAWBAR ASSY	2
0511048088	DRAWBAR JACK	3
0511052166	HOSE SET	4
0511058419	HYDRAULIC CYLINDER 50,80 X 101,60 X 514 X 206	5
0501052005	STABILIZER FOR GANG	6
0501056467	STUB SHAFT & HUB ASSY	7
0503060102	WHEEL AND TIRE	8
0501053834	MALE QUICK COUPLER	9
0521041328	HYDRAULIC CYLINDER	10
0909090232	GANG DISC COMPLETE	11
0511041509	AGRICULTURAL BEARING	12



Item	Code	Description	See page	QT
01	0531062100	FRAME		01
02	0521067819	48D - FRONT FRAME		01
03	0521067820	48D - REAR FRAME		01
04	0521041026	DRAWBAR ASSY	2	01
05	0521063399	OFFSET BAR		01
06	0531018101	1.2" X 6.3" PIVOT SHAFT		04
07	0501011301	1.1/2 UNC 6FPP 2.5/16 NUT		03
08	0503010010	1/4" X 2.1/2" SPLIT PIN		03
09	0551010332	TRANSPORT LOCK		01
10	0521063396	WHEEL		01
11	0511048088	DRAWBAR JACK	3	01
12	0561014251	COUPLING SHAFT		01
13	0503030012	HITCH PIN CLIP		01
14	0531061120	HOSE SUPPORT		01
15	0501010322	FLAT WASHER		02
16	0503010014	3/4" HEX NUT		02
17	0501011431	1-3/4" GANG BOLT WRENCH		02
18	0501011432	1-1/2" AND 1-5/8 GANG BOLT WRENCH		01
19	0503016137	1-1/4" WRENCH CABLE CYLINDER		01
20	0511010153	2-5/16" FIXED WRENCH		01
21	0503016140	3/4" WRENCH CABLE CYLINDRICAL		01
22	0502012702	BODY SUPPORT CLAMP		04
23	0503012555	SCREW 7/16 UNC X 2 CS RT G.7 ZN		05
24	0503010180	7/16" SPRING WASHER		05
25	0561016693	TRANSPORT LOCK		02
26	0541016844	FIXER LOCK		03
27	0503030285	HITCH PIN CLIP		03
28	0501041102	1-1/4" X 3-3/4" ASSY BOLT		08
28A	0501015348	1-1/4" X 3-3/4" BOLT		08
28B	0501010953	1-1/4" SQUARE WASHER		08
28C	0503010070	SPRING WASHER		08

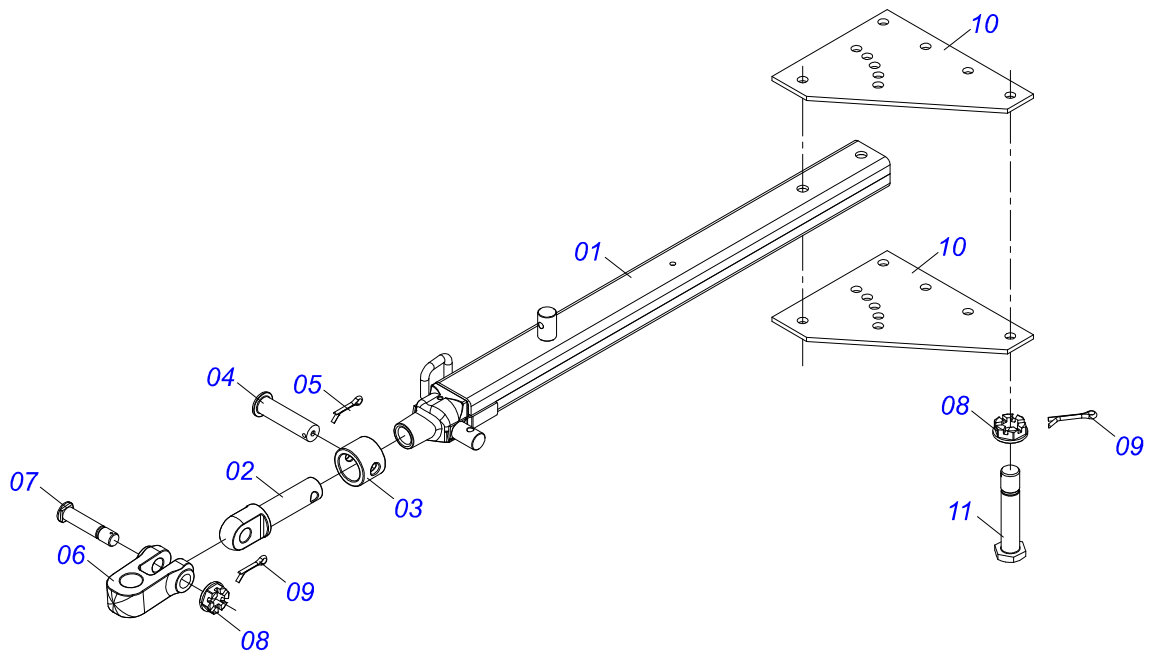
ASSY FRAME

Item	Code	Description	See page	QT
28D	0501010087	1.1/4" NUT		08
28E	0531010713	FLAT WASHER		08
29	0501047895	25 ROD STOP		06
30	0501047885	30 ROD STOP		03
31	0501047886	35 ROD STOP		03
32	0501047887	40 ROD STOP		03
33	0511065925	REAR SCRAPER SUPPORT		25
34	0511065926	FRONT SCRAPER SUPPORT		24
35	0561014263	CLEANER SHOVEL		49
36	0503012195	5/8" NUT		98
37	0503010027	5/8 SPRING WASHER		118
38	0503010013	5/8 NUT		216
39	0503013842	5/8" UNC X 1-3/4" BOLT		98
40	0501012140	FLAT WASHER		98
41	0503010002	1800 GREASE FITTING		07
42	0503010523	1/4" X 2" SPLIT PIN		04
43	0511032898	BAG WITH INSTRUCTION MANUAL		01
44	0511052166	HOSE SET	4	01
45	0503034278	EMBLEM		02
45.	0503034355	EMBLEM		02
45..	0503033647	APPROVED BADGE		01
45...	0503031827	LUBRICATE AND RETIGHTEN DAILY DECAL		01
45....	0503034078	LIFTING POINTS DECAL		04
45.....	0503031428	READ MANUAL DECAL		01
45.....	0503031739	ADHESIVE LABEL		01
45.....	0503031738	ADHESIVE LABEL		01
46	0503034004	ALUMINUM IDENTIFICATION LABEL		01
47	0503010001	3.2 X 5.5 RIVET		04
48	0511064656	DRAWBAR PIVOT		01
49	0531019171	1.25" X 7" COUPLING SHAFT		01
50	0521012053	1.5" X 8.6" AXLE		01
51	0511058419	HYDRAULIC CYLINDER 50,80 X 101,60 X 514 X 206	5	01
52	0521012538	1.2" X 3.5" COUPLING SHAFT		01
53	0511064433	REGULATOR SPINDLE 1-3/4		01
54	0501010333	1.3/4" NUT		02
55	0501052005	STABILIZER FOR GANG	6	01
56	0521810546	AXIS		02
57	0521063252	50,85 X 332 AXLE		02
58	0503010073	3/8" X 3.1/2" SPLIT PIN		02
59	0531018100	37,50 X 200 COUPLING SHAFT		02
60	0501017779	32 X 60 X 4.75 FLAT WASHER		08
61	0503011877	0.3" X 2.4" SPRING PIN		08
62	0501056467	STUB SHAFT & HUB ASSY	7	02
63	0503060102	WHEEL AND TIRE	8	02
64	0503013185	3/4" X 5-1/2" BOLT		02
65	0503010023	3/4" SPRING WASHER		02
66	0503810014	3/4" NUT		02
67	0501053834	MALE QUICK COUPLER	9	02
68	0503013637	T 1/2" MALE ADAPTER		04
69	0503030923	3/4" UNF X 13/16UN OFS X 40 NIPPLE		04
70	0503032031	3/4" UNF REDUCTION NIPPLE		02
71	0503010190	2-114 N 3006-9B O'RING		06
72	0503011030	2-014 N 3006-9B O'RING		14
73	0521041328	HYDRAULIC CYLINDER	10	02
74	0501041925	3/4" X 3-1/2" BOLT ASSY		32
74A	0501010950	3/4" X 3-1/2" BOLT		01
74B	0501010949	3/4" SQUARE WASHER		01
74C	0503010014	3/4" HEX NUT		02
74D	0501010322	FLAT WASHER		01

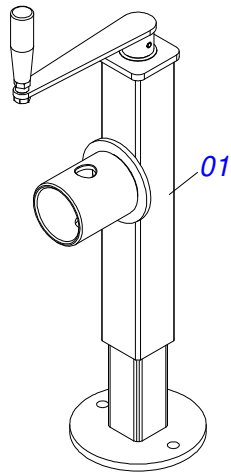
ASSY FRAME

0909091287

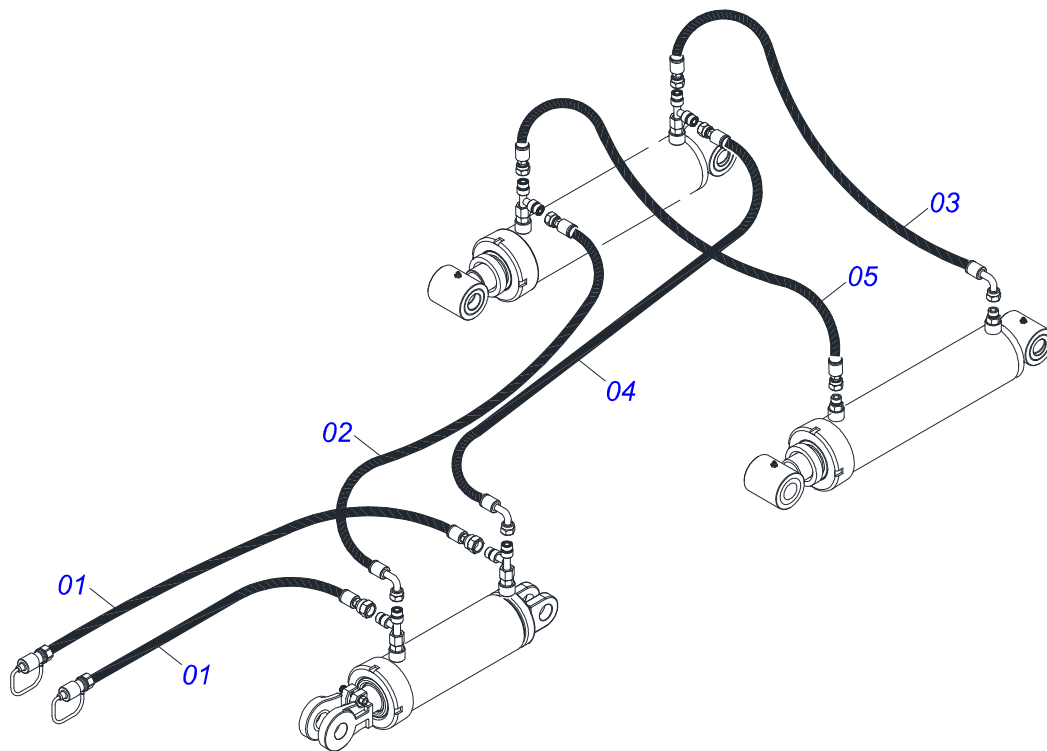
Item	Code	Description	See page	QT
75	0909090232	GANG DISC COMPLETE	11	01



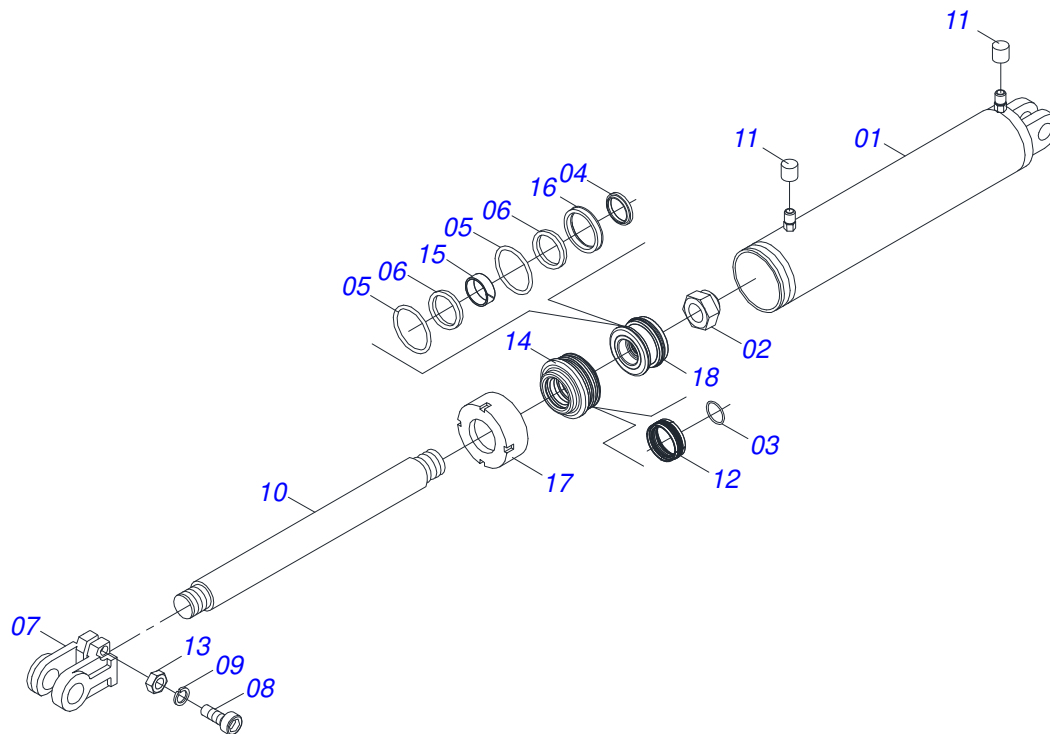
Item	Code	Description	See page	QT
01	0501069323	TRACTION BAR		01
02	1902040223	PIN HITCH		01
03	0502040327	HITCH LOCK RING		01
04	0511014902	COUPLING SHAFT		01
05	0503010571	1/4" X 1.1/2" SPLIT PIN		01
06	0502040732	CLEVIS		01
07	0521012545	COUPLING SHAFT		01
08	0501011301	1.1/2 UNC 6FPP 2.5/16 NUT		07
09	0503010010	1/4" X 2.1/2" SPLIT PIN		06
10	0511016137	UPPER /LOWER PLATE		02
11	0501016419	1-1/2" X 7.5" BOLT		06



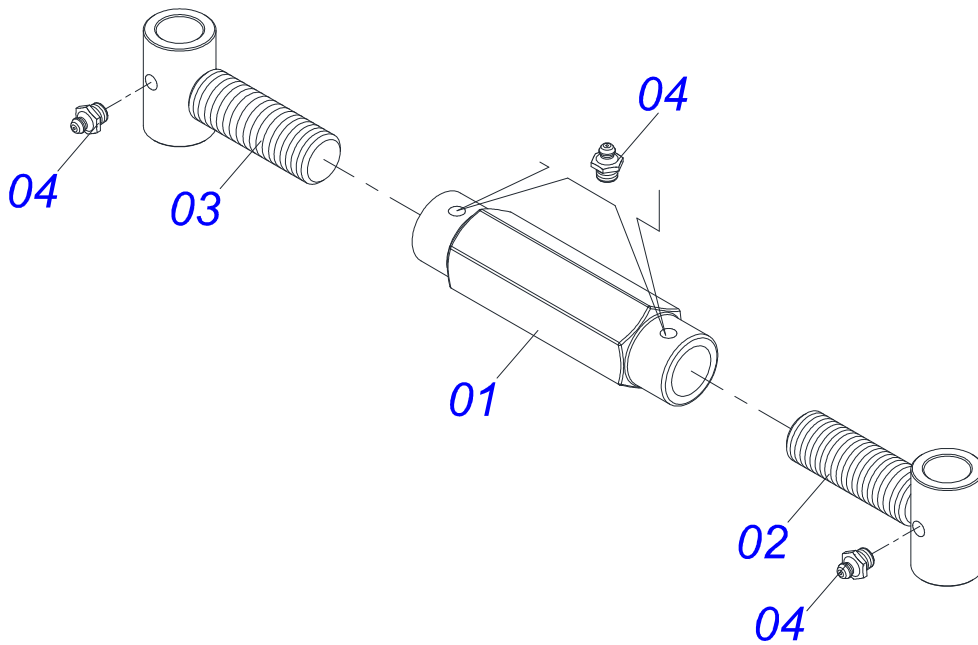
Item	Code	Description	See page	QT
01	0503062227	DRAWBAR JACK		01



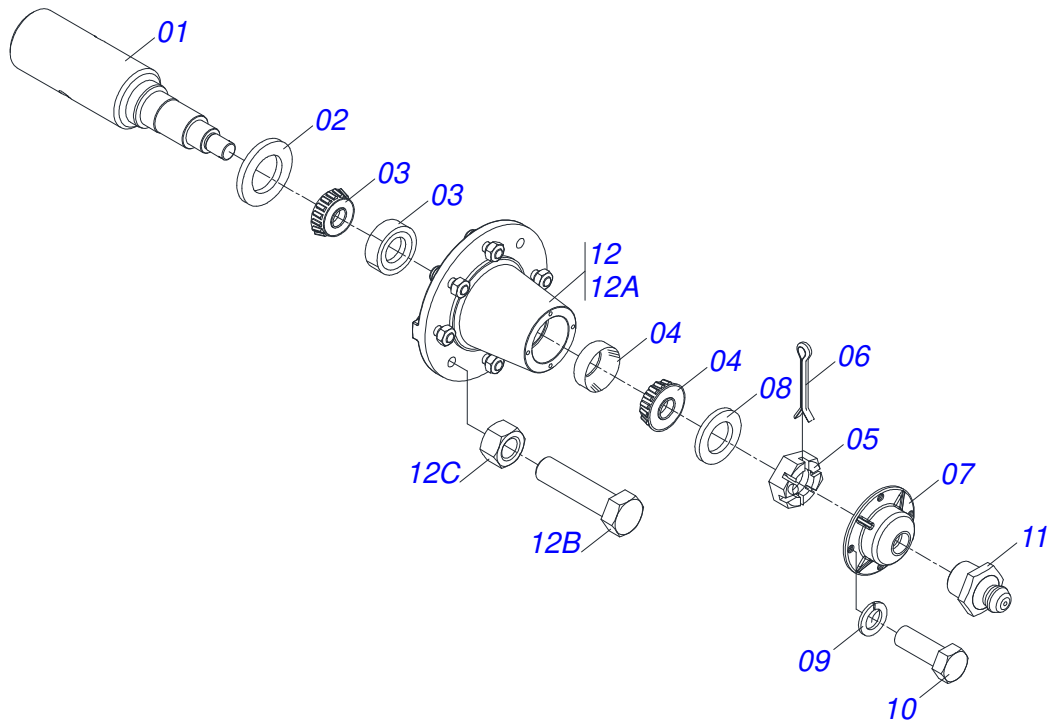
Item	Code	Description	See page	QT
01	0501080917	1/2" X 216.53" TR-TM OFS HOSE		02
02	0501081075	1/2" X 4000 TR-TC HOSE ASSY		01
03	0501081096	1/2" X 2200 TR-TC HOSE		01
04	0501081593	HOSE TR-TC		01
05	0501081758	HOSE TR-TR		01



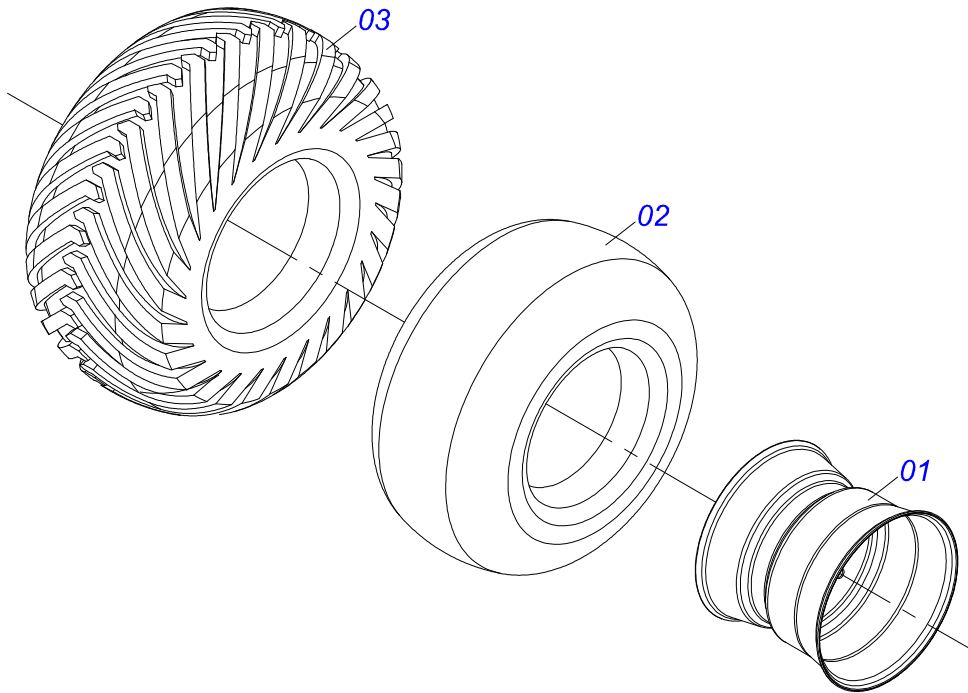
Item	Code	Description	See page	QT
01	0511061336	101,6 X 398 CYLINDER CASE		01
02	0503010817	1.1/4" SELF LOCKING NUT		01
03	0503010345	2-218 N 3006-9B O'RING		01
04	0503015636	SCRAPER SEAL		01
05	0503010338	2-342 N 3006-9B O'RING		02
06	0503011061	8-342 BACK-UP RING		02
07	0502040747	32.54 CLEVIS CLAMP		01
08	0503011094	3/8" X 2" BOLT		01
09	0503011443	3/8" SPRING WASHER		01
10	0521010422	HYDRAULIC CYLINDER TURNBUCKLE		01
11	0503030384	CON PLUG N-001		02
12	0503015633	SELEMASTER SEALING		01
13	0503010026	3/8" NUT		01
14	0581010678	50,80 X 101 RING SUPPORT		01
15	0503018025	RING GUIDE		01
16	0503018026	1870-2000-375 B GASKET		01
17	0502012822	101.60 END CAP		01
18	0502012842	50,80 X 101,60 PISTON		01
19	0511032511R	HYDRAULIC CYLINDER REPAIR KIT		01



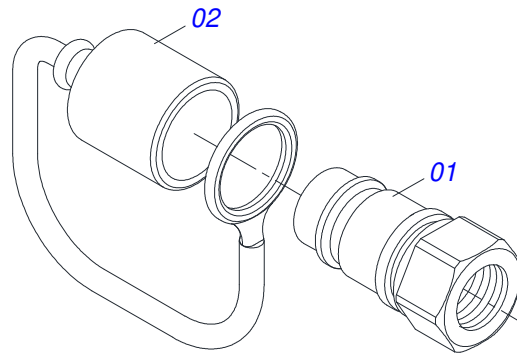
Item	Code	Description	See page	QT
01	0502011469	245 ADJUSTMENT NUT		01
02	0501069416	JACKET		01
03	0501069417	JACK CRANK		01
04	0503010002	1800 GREASE FITTING		04



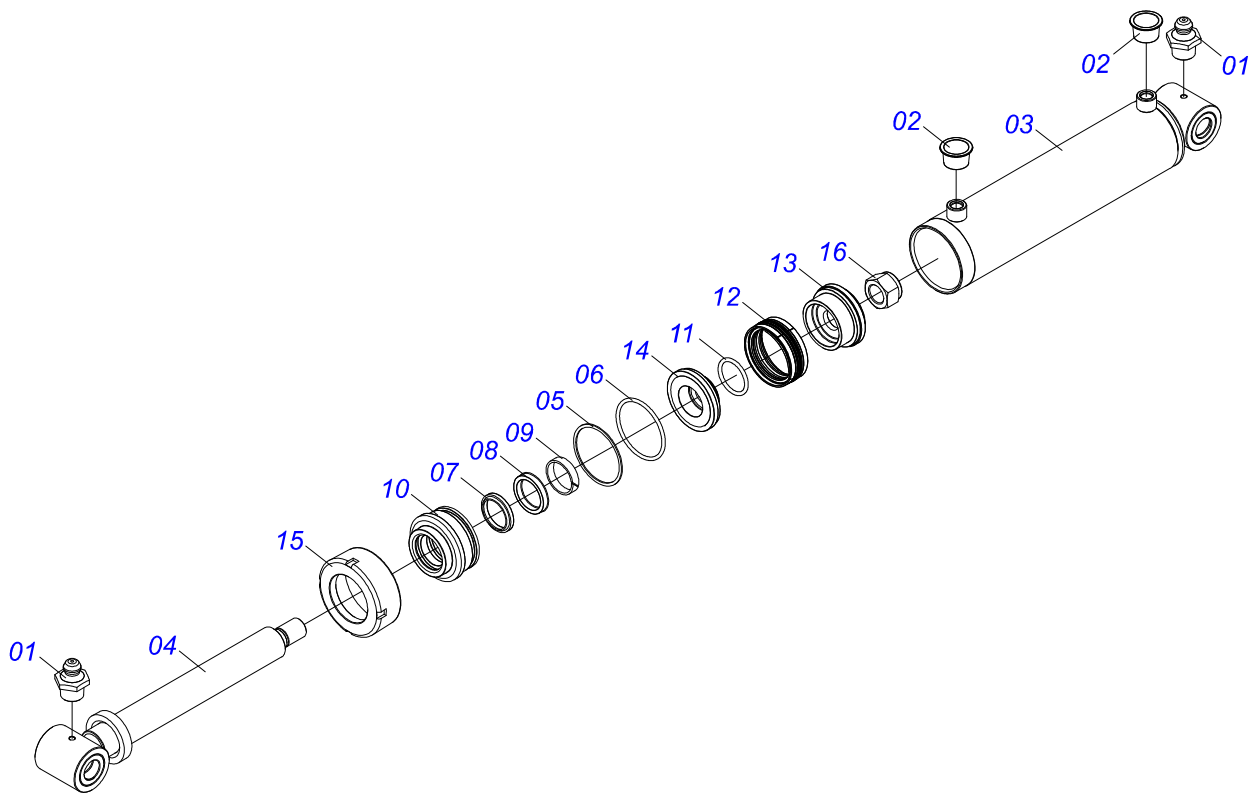
Item	Code	Description	See page	QT
01	0541016566	POINT AXIS 3.1/2 X 375		01
02	0503013314	RETAINER 5166-GB 63,5 X 110 X 13 ARCA		01
03	0503015290	3780/3720 ROLLER BEARING		01
04	0503014821	ROLLER BEARING		01
05	0503830009	1" X 0.9" CASTLE NUT		01
06	0503010018	5/32" X 1-1/2" SPLIT PIN		01
07	0502020591	PROTECCION COVER		01
08	0511812492	FLAT WASHER		01
09	0503011444	SPRING WASHER		04
10	0503810358	5/16" X 7/8" UNC BOLT		04
11	0503010002	1800 GREASE FITTING		01
12	0501110738	CARRYING WHEEL HUB		01
12A	0502012260	TRANSPORT WHEEL BOX		01
12B	0501010186	WHEEL SCREW 5/8UNF X 2.1/8CR		08
12C	0503010064	5/8 UNF CONIC NUT		08



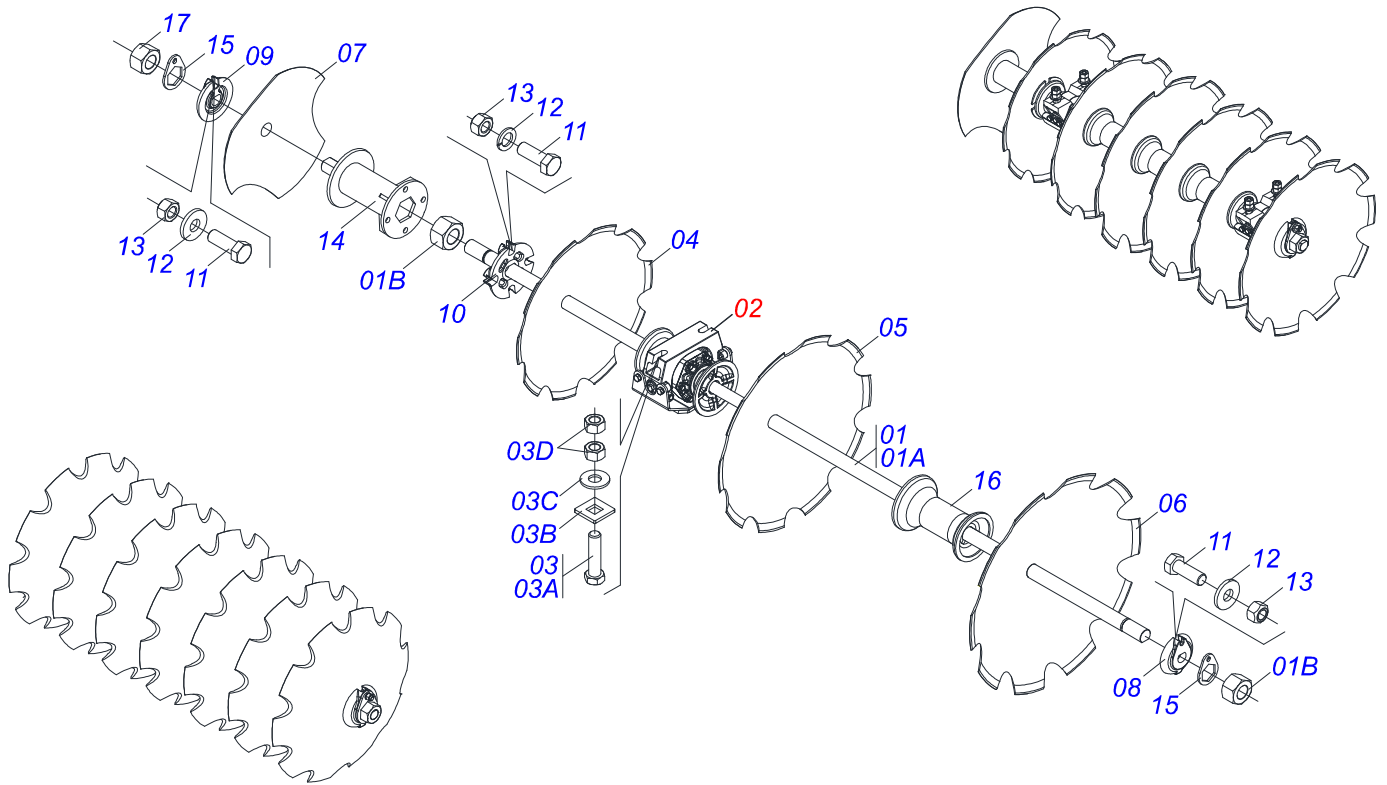
Item	Code	Description	See page	QT
01	0501069483	WHEEL		01
02	0503012112	400/60 - 15.5 TR 15 INNER TIRE		01
03	0503013119	CANVAS TIRE		01



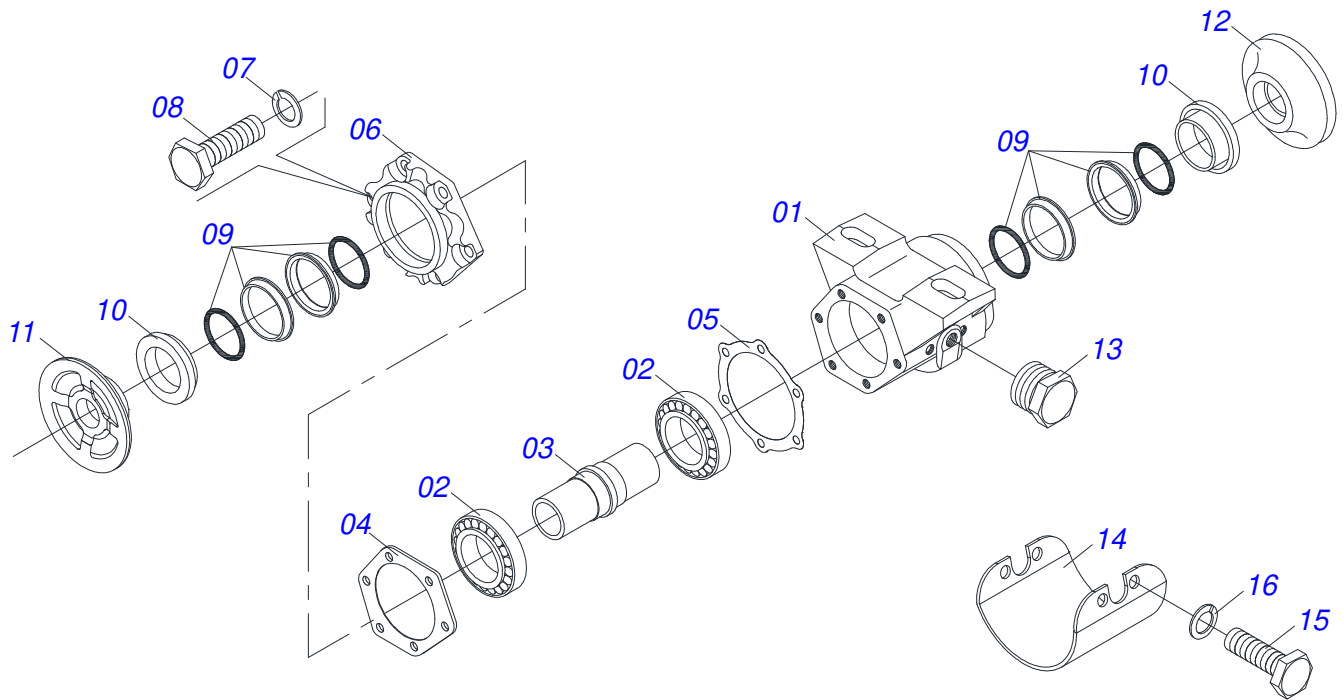
Item	Code	Description	See page	QT
01	0503011627	MALE QUICK COUPLER AGR 1/2 NPT		01
02	0503011882	MALE QUICK COUPLER CAP		01



Item	Code	Description	See page	QT
01	0503010002	1800 GREASE FITTING		02
02	0503030384	CON PLUG N-001		02
03	0501079791	101,6 X 528,5 CYLINDER CASE		01
04	0521063513	TURNBUCKLE		01
05	0503011061	8-342 BACK-UP RING		01
06	0503010338	2-342 N 3006-9B O'RING		01
07	0503015636	SCRAPER SEAL		01
08	0503015635	U-CUP SEAL		01
09	0503015634	RING SLYDRING		01
10	0502012642	SUPPORT OF THE RINGS		01
11	0503010345	2-218 N 3006-9B O'RING		01
12	0503015633	SELEMASTER SEALING		01
13	0561016387	PISTON BODY		01
14	0561016389	PISTON BODY		01
15	0502010017	4" LID		01
16	0503010817	1.1/4" SELF LOCKING NUT		01



Item	Code	Description	See page	QT
01	0501040361	1.3/4 X 1520 AXLE WITH NUT		08
01A	0501011424	1,3/4" X 1520 AXLE		08
01B	0501010333	1.3/4" NUT		08
02	0511041509	AGRICULTURAL BEARING	12	16
03	0501041925	3/4" X 3-1/2" BOLT ASSY		36
03A	0501010950	3/4" X 3-1/2" BOLT		36
03B	0501010949	3/4" SQUARE WASHER		36
03C	0501010322	FLAT WASHER		36
03D	0503010014	3/4" HEX NUT		72
04	0602037001	28" X 7,5MM NOTCHED DISC BLADE		46
05	0602033056	26" X 7,5 MM NOTCHED SIC BLADE		01
06	0602030323	24" X 7,5 NOTCHED DISC BLADE		01
07	0602029395	22" X 7,5 NOTCHED DISC BLADE		01
08	0502012221	1-1/2" INNER AXLE WASHER		08
09	0502012222	1-3/4" EXTERNAL AXLE WASHER		08
10	0502012378	1-3/4" EXTERNAL AXLE WASHER		01
11	0503010232	5/8" X 1.3/4" BOLT		20
12	0503010027	5/8 SPRING WASHER		20
13	0503010013	5/8 NUT		20
14	0511067147	257 AXLE SPACER 1.3/4"		01
15	0511014339	1-5/8" 2.8" NUT LOCK		16
16	0502010400	263 SPACER		24
17	0501010333	1.3/4" NUT		01



Item	Code	Description	See page	QT
01	0502020636	8.8" X 1-5/8" OIL HOUSING BEARING		01
02	0503010104	3984/3920 ROLLER BEARING		02
03	0502010824	AXLE CM/DM		01
04	0503030030	5.6" X 4.4" X 0.01" GASKET		02
05	0503030685	5.5" X 4.4" X 0.003" GASKET		01
06	0502020161	WEAR PLATE BEARING		01
07	0503011443	3/8" SPRING WASHER		06
08	0503010237	3/8" X 1" BOLT		06
09	0503030027	DUO-CONE SEAL		02
10	0502010823	SEAL RETAINER		02
11	0502040141	OUTER FLANGE		01
12	0502040142	INNER FLANGE		01
13	0503010856	OIL PLUG		02
14	0581013547	PROTECTION COVER BEARING		01
15	0503011401	1/2" X 3/4" BOLT		04
16	0503010019	1/2" SPRING WASHER		04



civemasa

Technical Publications | Elaboration and Revision

LUIZ CANDIDO

www.civemasa.com.br

