

DISK HARROWS

GVPF 12/14/16/18/20/22/24/26D - 02 CYLINDERS
GVPF 12/14/16/18/20/22/24/26D - 02 CILINDROS

Code: 0501093545
Series: S-0523
Revision: 00
Revision Date: DECEMBER/2023

PARTS
CATALOGUE

CIVEMASA

PRODUCTS

Code	Working Width	Description
0120020197		GVPF 12 X 32 X 12,00 DR DMO E 2.1/2 PN400/60 S-0523
0120020209		GVPF 12 X 32 X 12,00 DR DMO E 2.1/2 S-0523
0120020198		GVPF 12 X 32 X 9,00 DR DMO E 2.1/2 PN400/60 S-0523
0120020207		GVPF 12 X 32 X 9,00 DR DMO E 2.1/2 S-0523
0120020195		GVPF 12 X 34 X 12,00 DR DMO E 2.1/2 PN400/60 S-0523
0120020205		GVPF 12 X 34 X 12,00 DR DMO E 2.1/2 S-0523
0120020196		GVPF 12 X 34 X 9,00 DR DMO E 2.1/2 PN400/60 S-0523
0120020206		GVPF 12 X 34 X 9,00 DR DMO E 2.1/2 S-0523
0120020194		GVPF 12 X 36 X 12,00 DR DMO E 2.1/2 PN400/60 S-0523
0120020208		GVPF 12 X 36 X 12,00 DR DMO E 2.1/2 S-0523
0120020182		GVPF 14 X 32 X 12,00 DR DMO E 2.1/2 PN400/60 S-0523
0120020212		GVPF 14 X 32 X 12,00 DR DMO E 2.1/2 S-0523
0120020213		GVPF 14 X 32 X 9,00 DR DMO E 2.1/2 DEMON S-0523
0120020183		GVPF 14 X 32 X 9,00 DR DMO E 2.1/2 PN400/60 S-0523
0120020180		GVPF 14 X 34 X 12,00 DR DMO E 2.1/2 PN400/60 S-0523
0120020210		GVPF 14 X 34 X 12,00 DR DMO E 2.1/2 S-0523
0120020181		GVPF 14 X 34 X 9,00 DR DMO E 2.1/2 PN400/60 S-0523
0120020211		GVPF 14 X 34 X 9,00 DR DMO E 2.1/2 S-0523
0120020215		GVPF 14 X 34 X 9,00 DR DMO E 2.1/2 S-0523
0120020214		GVPF 14 X 36 X 12,00 DR DMO E 2.1/2 DESMON S-0523
0120020179		GVPF 14 X 36 X 12,00 DR DMO E 2.1/2 PN400/60 S-0523
0120020218		GVPF 16 X 32 X 9,00 DR DMO E 2.1/2 DESMON S-0523
0120020173		GVPF 16 X 32 X 9,00 DR DMO E 2.1/2 PN400/60 S-0523
0120020170		GVPF 16 X 34 X 12,00 DR DMO E 2.1/2 PN400/60 S-0523
0120020217		GVPF 16 X 34 X 12,00 DR DMO E 2.1/2 S-0523
0120020171		GVPF 16 X 34 X 9,00 DR DMO E 2.1/2 PN400/60 S-0523
0120020204		GVPF 16 X 34 X 9,00 DR DMO E 2.1/2 S-0523
0120020220		GVPF 16 X 34 X 9,00 DR DMO E 2.1/2 S-0523
0120020169		GVPF 16 X 36 X 12,00 DR DMO E 2.1/2 PN400/60 S-0523
0120020219		GVPF 16 X 36 X 12,00 DR DMO E 2.1/2 S-0523

ATTENTION: IMPORTANT

CIVEMASA reserves the right to improve and/or modify the technical features of its products, without obligation to do the same with those products already sold and without prior knowledge of the dealer or the customer. The photos are only illustrative.

PRODUCTS

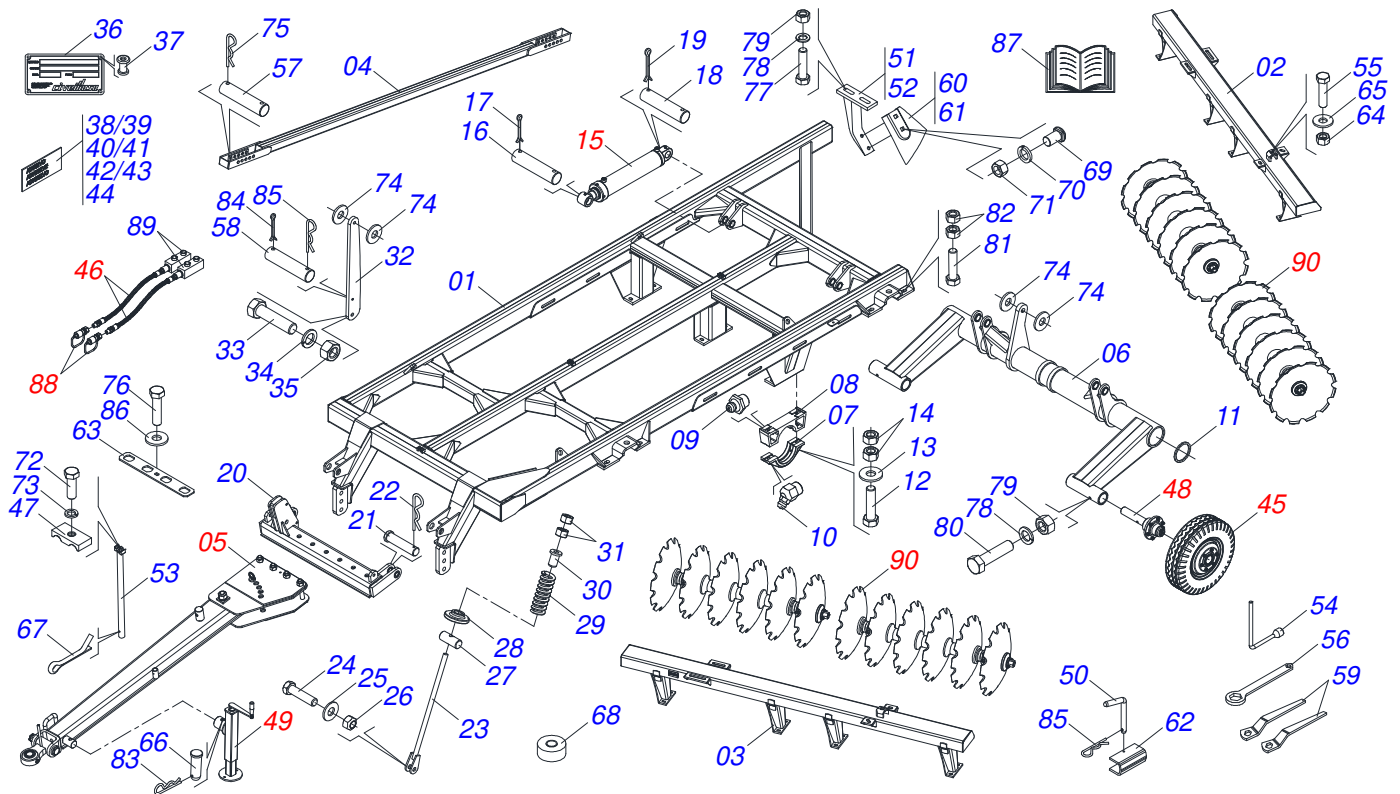
0120020162	GVPF 18 X 32 X 12,00 DR DMO E 2.1/2 PN400/60 S-0523
0120020223	GVPF 18 X 32 X 12,00 DR DMO E 2.1/2 S-0523
0120020163	GVPF 18 X 32 X 9,00 DR DMO E 2.1/2 PN400/60 S-0523
0120020224	GVPF 18 X 32 X 9,00 DR DMO E 2.1/2 S-0523
0120020160	GVPF 18 X 34 X 12,00 DR DMO E 2.1/2 PN400/60 S-0523
0120020222	GVPF 18 X 34 X 12,00 DR DMO E 2.1/2 S-0523
0120020161	GVPF 18 X 34 X 9,00 DR DMO E 2.1/2 PN400/60 S-0523
0120020225	GVPF 18 X 34 X 9,00 DR DMO E 2.1/2 S-0523
0120020221	GVPF 18 X 34 X 9,00 DR DMO E 2.1/2 S-0523
0120020159	GVPF 18 X 36 X 12 DR DMO PN400/60 S-0523
0120020226	GVPF 18 X 36 X 12,00 DR DMO E 2.1/2 S-0523
0120020148	GVPF 20 X 32 X 12,00 DR DMO E 2.1/2 S-0523
0120020149	GVPF 20 X 32 X 9,00 DR DMO E 2.1/2 S-0523
0120020153	GVPF 20 X 34 X 12,00 DR DMO E 2.1/2 S-0523
0120020150	GVPF 20 X 34 X 9,00 DR DMO E 2.1/2 S-0523
0120020151	GVPF 20 X 34 X 9,00 DR DMO E 2.1/2 S-0523
0120020152	GVPF 20 X 36 X 12,00 DR DMO E 2.1/2 S-0523
0120020131	GVPF 22 X 32 X 12,00 DR DMO E 2.1/2 S-0523
0120020132	GVPF 22 X 32 X 9,00 DR DMO E 2.1/2 S-0523
0120020135	GVPF 22 X 34 X 12,00 DR DMO E 2.1/2 S-0523
0120020133	GVPF 22 X 34 X 9,00 DR DMO E 2.1/2 S-0523
0120020134	GVPF 22 X 34 X 9,00 DR DMO E 2.1/2 S-0523
0120020136	GVPF 22 X 36 X 12,00 DR DMO E 2.1/2 S-0523
0120020228	GVPF 24 X 34 X 12,00 DR DMO E 2.1/2 PN 900/20 S-0523
0120020227	GVPF 24 X 36 X 12,00 DR DMO E 2.1/2 PN 900/20 S-0523
0120020229	GVPF 24 X 38 X 12,00 DR DMO E 2.1/2 PN 900/20 S-0523
0120020234	GVPF 26 X 34 X 12,00 DR DMO E 2.1/2 PN 900/20 S-0523
0120020232	GVPF 26 X 36 X 12,00 DR DMO E 2.1/2 PN 900/20 S-0523
0120020233	GVPF 26 X 38 X 12,00 DR DMO E 2.1/2 PN 900/20 S-0523

ATTENTION: IMPORTANT

CIVEMASA reserves the right to improve and/or modify the technical features of its products, without obligation to do the same with those products already sold and without prior knowledge of the dealer or the customer. The photos are only illustrative.

INDEX

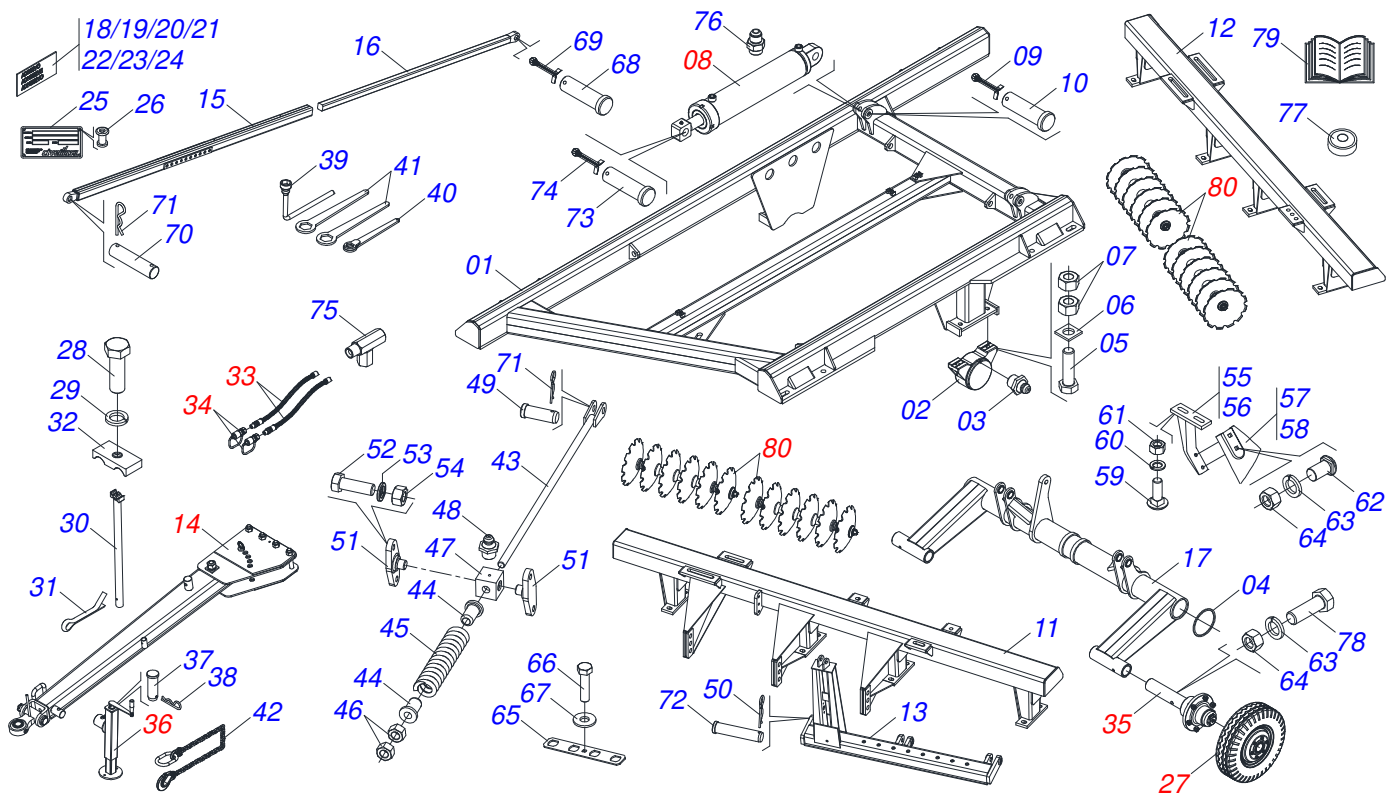
0909096796	ASSY FRAME - 12/14/16/18D	1
0909096797	ASSY FRAME - 20/22D	2
0909097022	FRAME ASSY - 24/26D	3
0531044290	FRAME ASSY	4
0511050262	DRAWBAR ASSEMBLY	5
0531044309	DRAWBAR	6
0531041451	HYDRAULIC CYLINDER 53,98 X 101,6 X 728 X 400 - (FROM 09/2021)	7
0501048597	HYDRAULIC CYLINDER 44,45 X 101,6 X 730 X 400	8
0531044293	HYDRAULIC CYLINDER	9
0501052156	WHEELS HUB ASSY SET	10
0503061868	400/60 WHEEL WITH TIRE	11
0503060263	7.50 WHEEL WITH TIRE	12
0503060213	WHEEL WITH TIRE 35.4" X 0.80" / 14 CANVAS	13
0501053212	HOSE KIT	14
0501053217	HOSE KIT	15
0531058406	HOSE SET	16
0501053834	MALE QUICK COUPLER	17
0521052191	RELIEF VALVE	18
0511048088	DRAWBAR JACK	19
0521042030	WHEEL WITHOUT TIRE S-0514	20
0909096798	FRONT/REAR DISC GANG - 12/14/16/18/20/22D	21
0909097023	FRONT/REAR DISC GANG - 24/26D	22
0531041587	430 X 2.1/2 AGRICULTURAL BEARING WITH PROTECTION SUPPORT	23
0531052867	430 X 2.1/2 AGRICULTURAL BEARING	24



Item	Code	Description	See page	12	14	16	18
01	0511060528	FRAME		01	01	01	01
02	0511065430	REAR FRAME - 12		01	00	00	00
02.	0511061551	REAR FRAME - 14		00	01	00	00
02..	0511061544	REAR FRAME - 16		00	00	01	00
02...	0511060530	REAR FRAME - 18		00	00	00	01
03	0511065438	FRONT FRAME - 12		01	00	00	00
03.	0511061553	FRONT FRAME - 14		00	01	00	00
03..	0511061545	FRONT FRAME - 16		00	00	01	00
03...	0511060531	FRONT FRAME - 18		00	00	00	01
04	0511060527	STABILIZER BAR		01	01	01	01
05	0511050262	DRAWBAR ASSEMBLY	5	01	01	01	01
06	0511060526	AXLE WHEEL		01	01	01	01
07	0502011724	INF BEARING SEMI		03	03	03	03
08	0502011725	UPPER BEARING SEMI		03	03	03	03
09	0503010002	1800 GREASE FITTING		06	06	06	06
10	0503010003	1845 GREASE FITTING		06	06	06	06
11	0503012222	FELT RING		06	06	06	06
12	0511016281	3/4" X 8" BOLT		06	06	06	06
13	0521013710	WASHER SEMIMAN		06	06	06	06
14	0503012183	SNC 3/4" ZIN 1K03097 NUT		12	12	12	12
15	0531041451	HYDRAULIC CYLINDER 53,98 X 101,6 X 728 X 400 - 7 (FROM 09/2021)		02	02	02	02
16	0521013706	HEADLESS PIN		02	02	02	02
17	0503010010	SPLIT PIN 1/4" X 2.1/2"		04	04	04	04
18	0591019956	44,45 X 168 HEADLESS PIN		02	02	02	02
19	0503010010	SPLIT PIN 1/4" X 2.1/2"		04	04	04	04
20	0511060203	DRAWBAR ASSY		01	01	01	01
21	0521013738	CLEVIS PIN		02	02	02	02
22	0503031479	STAPLE		02	02	02	02
23	0511060124	SPINDLE ASSEMBLY		02	02	02	02

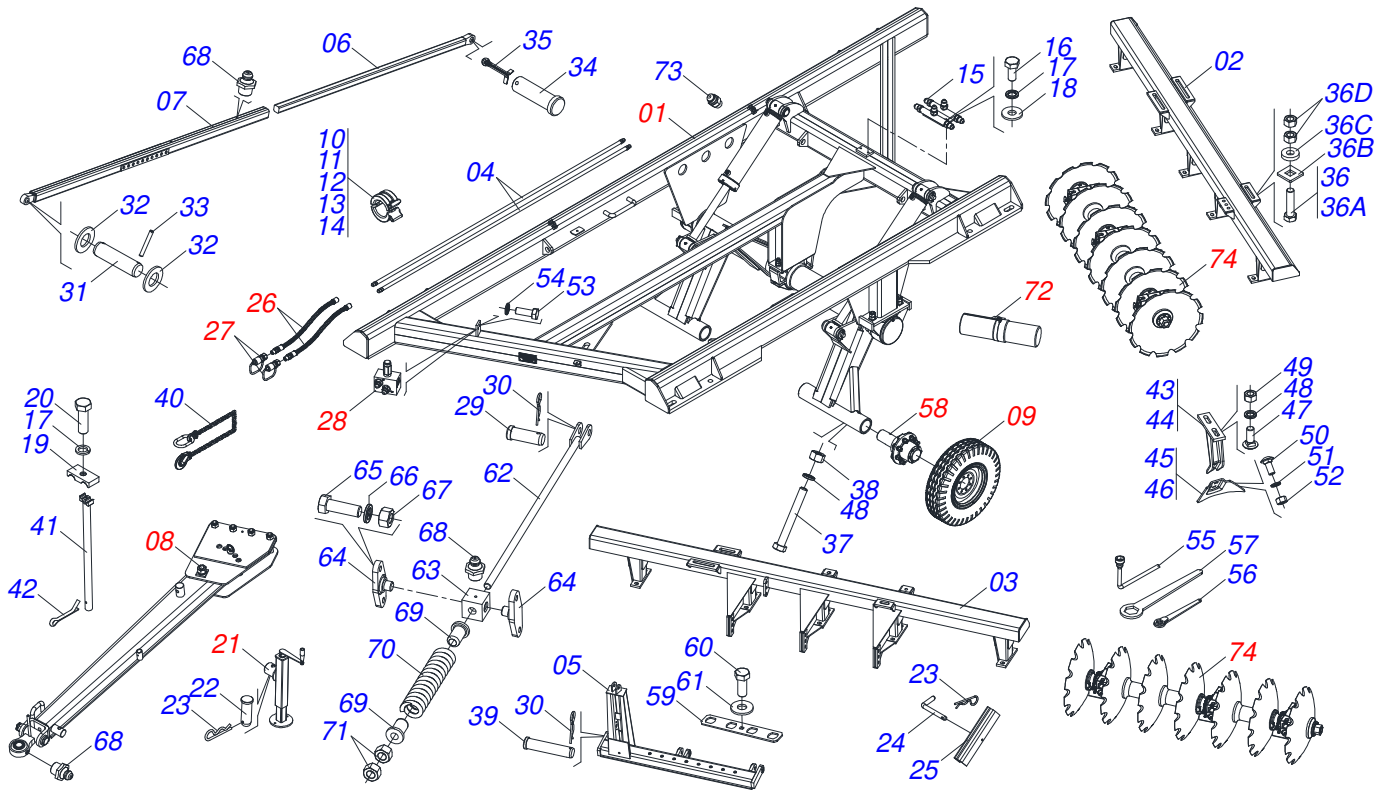
Item	Code	Description	See page	12	14	16	18
24	0501010500	3/4" X 3" BOLT		02	02	02	02
25	0501010322	20,50 X 46 X 4,00 ZN FLAT WASHER		02	02	02	02
26	0503011255	3/4" LOCK NUT		02	02	02	02
27	0521013759	PIN SPINDLE GUIDE		02	02	02	02
28	0521013760	SPRING SUPPORT		02	02	02	02
29	0503031460	SPRING		02	02	02	02
30	0502011582	SPINDLE GUIDE		02	02	02	02
31	0503012182	1" NUT		04	04	04	04
32	0521014367	TOWER		01	01	01	01
33	0503012226	1-1/4" X 4" BOLT		01	01	01	01
34	0503010070	SPRING WASHER		01	01	01	01
35	0503012181	1.1/4" NUT		01	01	01	01
36	0503034004	ALUMINUM IDENTIFICATION DECAL		01	01	01	01
37	0503010001	RIVET 3,2 X 5,5		04	04	04	04
38	0503031738	WARNING DECAL		01	01	01	01
39	0503034239	BADGE		02	02	02	02
40	0503031428	READ MANUAL DECAL		01	01	01	01
41	0503033038	DANGER DECAL		02	02	02	02
42	0503033647	APPROVED DECAL		01	01	01	01
43	0503031739	DANGER DECAL		01	01	01	01
44	0503033241	CIVEMASA 100 X 400 BADGE		02	02	02	02
45	0503061868	400/60 WHEEL WITH TIRE	11	04	04	04	04
45.	0503060263	7.50 WHEEL WITH TIRE	12	04	04	04	04
46	0501053212	HOSE KIT	14	01	01	01	01
47	0502012702	BODY SUPPORT CLAMP		04	04	04	04
48	0501052156	WHEELS HUB ASSY SET	10	04	04	04	04
49	0511048088	DRAWBAR JACK	19	01	01	01	01
50	0541016844	FIXER LOCK		02	02	02	02
51	0511060304	FRONT SUPPORT		06	07	08	09
52	0511060305	REAR SUPPORT		06	07	08	09
53	0511060205	SUPPORT HOSE CNS 20104N		01	01	01	01
54	0503018438	1" WRENCH CYLINDRICAL HEX		01	01	01	01
55	0503019212	BOLT		02	02	02	02
56	0511064004	WRENCH		01	01	01	01
57	0521013776	HEADLESS CLEVIS PIN		02	02	02	02
58	0521013812	HEADLESS CLEVIS PIN		01	01	01	01
59	0521013902	WRENCH NUT		02	02	02	02
60	0521013678	FRONT CLEANER		06	07	08	09
61	0521013679	REAR CLEANER		06	07	08	09
62	0591018207	LOCK FOR TRANSPORT		02	02	02	02
63	0521013774	LOCK		01	01	01	01
64	0502011692	3442029 NUT		02	02	02	02
65	0521014368	FLAT WASHER		02	02	02	02
66	0561014251	COUPLING SHAFT		01	01	01	01
67	0503012215	5/16" X 2.1/2" SPLIT PIN		01	01	01	01
68	0503013171	SEALING 1/2" X 10M 1J51066		01	01	01	01
69	0503012195	5/8" NUT		24	28	32	36
70	0503010027	5/8 SPRING WASHER		28	32	40	48
71	0503010013	5/8" UNC G.5 ZN HEX NUT		24	28	32	36
72	0503012555	SCREW 7/16 UNC X 2 CS RT G.7 ZN		04	04	04	04
73	0503010180	7/16" SPRING WASHER		04	04	04	04
74	0521013818	STRENGTHENING GL 41005 3281218		04	04	04	04
75	0503031470	TM 251 X 4,0 STAPLE		02	02	02	02
76	0501010108	5/8" X 1" BOLT		01	01	01	01
77	0503012180	FRENCH 3/4" X 2 BOLT		24	28	32	36
78	0503010023	3/4" SPRING WASHER		24	28	32	36
79	0503012183	SNC 3/4" ZIN 1K03097 NUT		24	28	32	36

Item	Code	Description	See page	12	14	16	18
80	0503011084	3/4" X 5" BOLT		04	04	04	04
81	0503012257	1" X 4-1/4" BOLT		08	08	08	08
82	0503012182	1" NUT		16	16	16	16
83	0503030012	HITCH PIN CLIP		01	01	01	01
84	0503010362	1/8" X 1.1/4" SPLIT PIN		03	03	03	03
85	0503031464	TM 211 X 3,0 STAPLE		01	01	01	01
86	0501012140	FLAT WASHER 16,50 X 40 X 4,00 ZN		01	01	01	01
87	0511032895	BAG WITH INSTRUCTION MANUAL		01	01	01	01
88	0501053834	MALE QUICK COUPLER	17	02	02	02	02
89	0501074276	TERMINAL CONNECTION		02	02	02	02
90		FRONT/REAR DISC GANG - 12/14/16/18/20/22D	21				



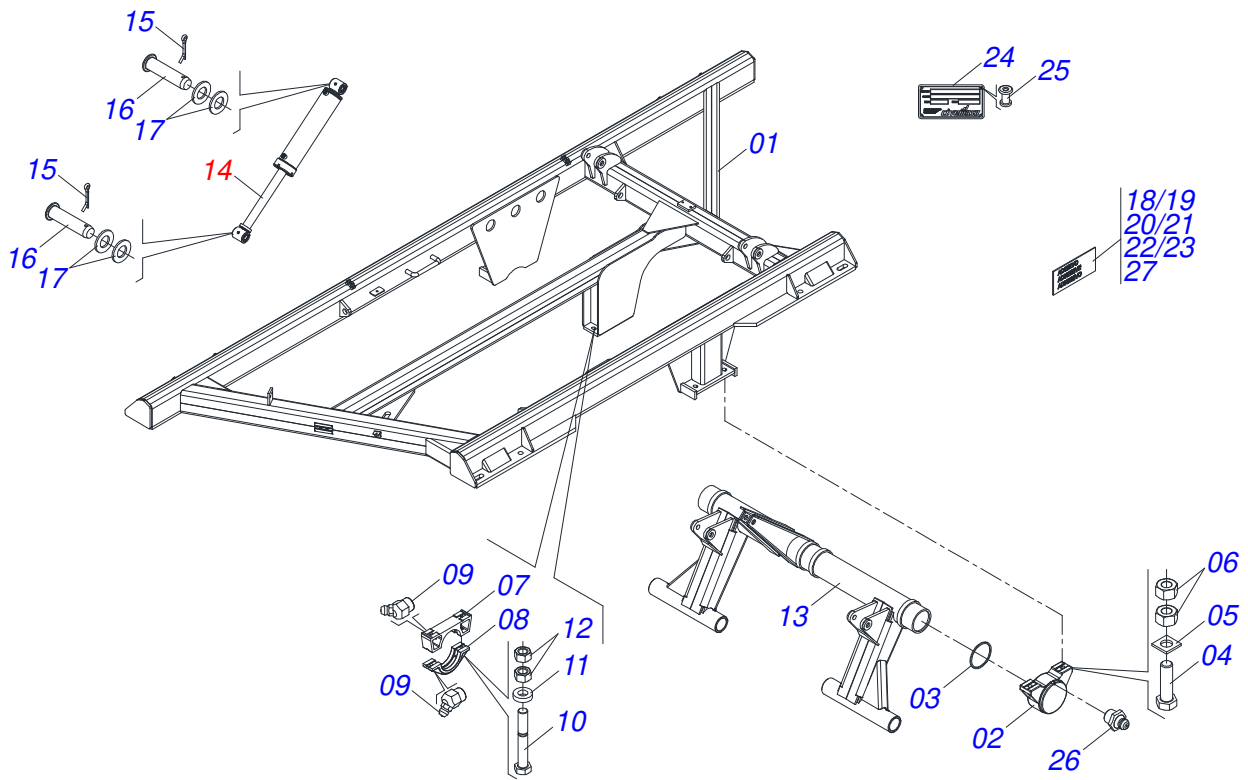
Item	Code	Description	See page	20	22
01	0511060294	FRAME		01	01
02	0502011588	AXLE WHEEL BEARING		02	02
03	0503010002	1800 GREASE FITTING		02	02
04	0503012222	FELT RING		02	02
05	0503012325	BOLT		04	04
06	0521013740	WASHER SQUARE		04	04
07	0503010417	7/8" NUT		08	08
08	0501048597	HYDRAULIC CYLINDER 44,45 X 101,6 X 730 X 400	8	02	02
09	0503010010	SPLIT PIN 1/4" X 2.1/2"		04	04
10	0521013905	PIN		04	04
11	0511060297	FRONT FRAME - 20		01	00
11.	0511060340	FRONT FRAME - 22		00	01
12	0511060298	REAR FRAME - 20		01	00
12.	0511060341	REAR FRAME - 22		00	01
13	0511060299	DRAWBAR ASSY		01	00
13.	0511060343	DRAWBAR ASSY		00	01
14	0511050262	DRAWBAR ASSEMBLY	5	01	01
15	0511060296	STABILIZER BAR		01	01
16	0511060024	PROLONG		01	01
17	0511060295	AXLE WHEEL		01	01
18	0503031738	WARNING DECAL		01	01
19	0503031428	READ MANUAL DECAL		01	01
20	0503033038	DANGER DECAL		02	02
21	0503033647	APPROVED DECAL		01	01
22	0503034239	BADGE		02	02
23	0503033241	CIVEMASA 100 X 400 BADGE		02	02
24	0503031739	DANGER DECAL		01	01
25	0503034004	ALUMINUM IDENTIFICATION DECAL		01	01
26	0503010001	RIVET 3,2 X 5,5		04	04
27	0503060263	7.50 WHEEL WITH TIRE	12	04	04

Item	Code	Description	See page	20	22
28	0503012555	SCREW 7/16 UNC X 2 CS RT G.7 ZN		04	04
29	0503010180	7/16" SPRING WASHER		04	04
30	0511060205	SUPPORT HOSE CNS 20104N		01	01
31	0503012215	5/16" X 2.1/2" SPLIT PIN		01	01
32	0502012702	BODY SUPPORT CLAMP		04	04
33	0501053217	HOSE KIT	15	01	01
34	0501053834	MALE QUICK COUPLER	17	02	02
35	0501052156	WHEELS HUB ASSY SET	10	04	04
36	0511048088	DRAWBAR JACK	19	01	01
37	0561014251	COUPLING SHAFT		01	01
38	0503030012	HITCH PIN CLIP		01	01
39	0503018438	1" WRENCH CYLINDRICAL HEX		01	01
40	0521062858	1.1/4" WRENCH NUT		01	01
41	0521013902	WRENCH NUT		02	02
42	0503013150	1300 X 3/8" CHAIN		01	01
43	0511060306	RIGHT SET JACK		01	01
44	0502011582	SPINDLE GUIDE		02	02
45	0503031507	COMPRES SPRING		01	01
46	0503012182	1" NUT		02	02
47	0502011616	CROSSPIECE		01	01
48	0503010002	1800 GREASE FITTING		03	03
49	0521013838	CLEVIS PIN		01	01
50	0503031470	TM 251 X 4,0 STAPLE		02	02
51	0502011615	SUPPORT CROSS		02	02
52	0503010920	1/2 UNC X 1.1/2 C S G.5 ZN BOLT		04	04
53	0503010019	1/2" SPRING WASHER		04	04
54	0503010060	1/2 UNC G.5 ZN HEX NUT		04	04
55	0511060304	FRONT SUPPORT		10	11
56	0511060305	REAR SUPPORT		10	11
57	0521013678	FRONT CLEANER		10	11
58	0521013679	REAR CLEANER		10	11
59	0503012180	FRENCH 3/4" X 2 BOLT		40	44
60	0503010023	3/4" SPRING WASHER		40	44
61	0503012183	SNC 3/4" ZIN 1K03097 NUT		40	44
62	0503012195	5/8" NUT		40	44
63	0503010027	5/8 SPRING WASHER		52	56
64	0503010013	5/8" UNC G.5 ZN HEX NUT		40	44
65	0521013774	LOCK		01	01
66	0501010108	5/8" X 1" BOLT		01	01
67	0501012140	FLAT WASHER 16,50 X 40 X 4,00 ZN		01	01
68	0521013904	CLEVIS PIN		01	01
69	0503010038	3/16" X 2" SPLIT PIN		01	01
70	0521013840	HEADLESS CLEVIS PIN		01	01
71	0503031479	STAPLE		03	03
72	0531011362	PIN		03	03
73	0521013903	PIN		01	01
74	0503010010	SPLIT PIN 1/4" X 2.1/2"		02	02
75	0503012572	ADAPTOR		02	02
76	0521019128	3/4" NIPPLE		02	02
77	0503013171	SEALING 1/2" X 10M 1J51066		01	01
78	0501011543	5/8" X 4" BOLT		04	04
79	0511032895	BAG WITH INSTRUCTION MANUAL		01	01
80		FRONT/REAR DISC GANG - 12/14/16/18/20/22D	21		



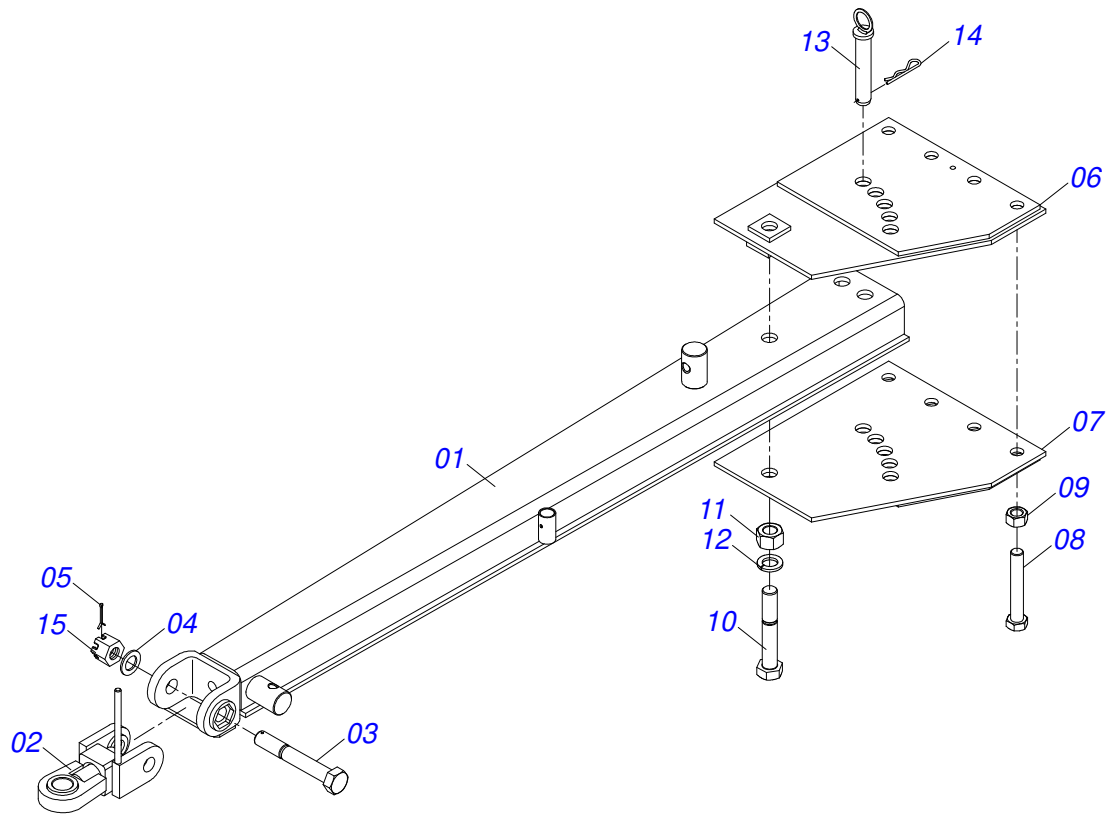
Item	Code	Description	See page	24	26
01	0531044290	FRAME ASSY	4	01	01
02	0531065577	REAR FRAME - 24D		01	00
02.	0531065496	REAR FRAME - 26D		00	01
03	0531065578	FRONT FRAME - 24D		01	00
03.	0531065495	FRONT FRAME - 26D		00	01
04	0531065516	OIL DISTRIBUTOR DUCT		02	02
05	0531065595	DISLOCATED DRAWBAR		01	00
05.	0531065480	DISLOCATED DRAWBAR		00	01
06	0531065571	EXTENSION		01	01
07	0511060296	STABILIZER BAR		01	01
08	0531044309	DRAWBAR	6	01	01
09	0503060213	WHEEL WITH TIRE 35.4" X 0.80" / 14 CANVAS	13	04	04
10	0501047886	35 ROD STOP		02	02
11	0501047887	40 ROD STOP		02	02
12	0501047885	30 ROD STOP		02	02
13	0501047888	45 ROD STOP		02	02
14	0501047895	25 ROD STOP		04	04
15	0501068706	DOUBLE CONNECTION		01	01
16	0503011338	BOLT 7/16" UNC X 1" CS G.5 ZN		02	02
17	0503010180	7/16" SPRING WASHER		05	05
18	0501012803	FLAT WASHER 12 X 30 X 3,00 ZN		02	02
19	0502010477	HOSE CLAMP		03	03
20	0503012555	SCREW 7/16 UNC X 2 CS RT G.7 ZN		03	03
21	0511048088	DRAWBAR JACK	19	01	01
22	0561014251	COUPLING SHAFT		01	01
23	0503030012	HITCH PIN CLIP		03	03
24	0541016844	FIXER LOCK		02	02
25	0501218782	TRANSPORTATION LOCK		02	02
26	0531058406	HOSE SET	16	01	01
27	0501053834	MALE QUICK COUPLER	17	02	02

Item	Code	Description	See page	24	26
28	0521052191	RELIEF VALVE	18	01	01
29	0521013838	CLEVIS PIN		01	01
30	0503031470	TM 251 X 4,0 STAPLE		04	04
31	0501218880	HEADLESS PIN		01	01
32	0501017779	FLAT WASHER 32 X 60 X 4,75		02	02
33	0503011877	0.3" X 2.4" SPRING PIN		02	02
34	0521013904	CLEVIS PIN		01	01
35	0503010038	3/16" X 2" SPLIT PIN		01	01
36	0521040349	1-1/4" X 5.3/4" BOLT		09	09
36A	0501010954	1.1/4" X 5.3/4" BOLT		01	01
36B	0571010449	LOCK BOLT		01	01
36C	0571010448	32,50 X 75 X 16 SLEEVE		01	01
36D	0501010087	1.1/4" NUT		02	02
37	0503011198	BOLT 3/4" UNC X 6" CS G.5		04	04
38	0503010014	3/4" ZN G.5 (HEAVY) UNC HEX NUT		04	04
39	0531011362	PIN		03	03
40	0503013150	1300 X 3/8" CHAIN		01	01
41	0511060205	SUPPORT HOSE CNS 20104N		01	01
42	0503012215	5/16" X 2.1/2" SPLIT PIN		01	01
43	0511060304	FRONT SUPPORT		12	13
44	0511060305	REAR SUPPORT		12	13
45	0521013678	FRONT CLEANER		12	13
46	0521013679	REAR CLEANER		12	13
47	0503012180	FRENCH 3/4" X 2 BOLT		48	52
48	0503010023	3/4" SPRING WASHER		52	56
49	0503012183	SNC 3/4" ZIN 1K03097 NUT		48	52
50	0503012407	5/8" X 1-1/2" BOLT		48	52
51	0503010027	5/8 SPRING WASHER		48	52
52	0503010013	5/8" UNC G.5 ZN HEX NUT		48	52
53	0503010237	3/8" X 1" BOLT		02	02
54	0503010025	3/8 SPRING WASHER		02	02
55	0503016137	1-1/4" WRENCH CABLE CYLINDER		01	01
56	0521062858	1.1/4" WRENCH NUT		01	01
57	0521013902	WRENCH NUT		02	02
58	0521042030	WHEEL WITHOUT TIRE S-0514	20	04	04
59	0521013774	LOCK		01	01
60	0501010108	5/8" X 1" BOLT		01	01
61	0501012140	FLAT WASHER 16,50 X 40 X 4,00 ZN		01	01
62	0511060306	RIGHT SET JACK		01	01
63	0502011616	CROSSPIECE		01	01
64	0502011615	SUPPORT CROSS		02	02
65	0503010920	1/2 UNC X 1.1/2 C S G.5 ZN BOLT		04	04
66	0503010019	1/2" SPRING WASHER		04	04
67	0503010060	1/2 UNC G.5 ZN HEX NUT		04	04
68	0503010002	1800 GREASE FITTING		04	04
69	0502011582	SPINDLE GUIDE		02	02
70	0503031507	COMPRES SPRING		01	01
71	0503012182	1" NUT		02	02
72	0531058413	INSTRUCTION MANUAL CANISTER		01	01
73	0501010617	NIPLE 3/4" NF X 3/4" NF HEX. 7/8" X 44		04	04
74		FRONT/REAR DISC GANG - 24/26D	22		



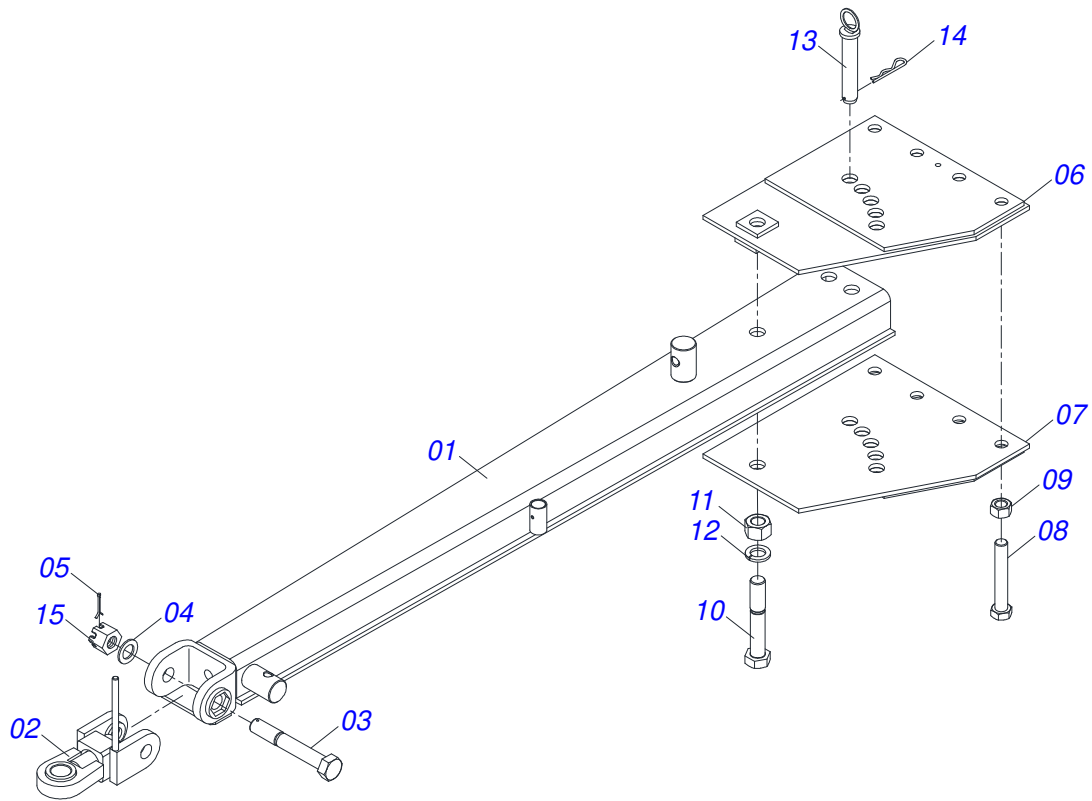
Item	Code	Description	See page	QT
01	0531065481	FRAME		01
02	0502011588	AXLE WHEEL BEARING		02
03	0503012222	FELT RING		02
04	0503012325	BOLT		04
05	0521013740	WASHER SQUARE		04
06	0503010417	7/8" NUT		08
07	0502011725	UPPER BEARING SEMI		01
08	0502011724	INF BEARING SEMI		01
09	0503010003	1845 GREASE FITTING		04
10	0511016281	3/4" X 8" BOLT		02
11	0521013710	WASHER SEMIMAN		02
12	0503012183	SNC 3/4" ZIN 1K03097 NUT		04
13	0531065482	WHEEL AXLE WITH SLEEVE		01
14	0531044293	HYDRAULIC CYLINDER	9	02
15	0503010010	SPLIT PIN 1/4" X 2.1/2"		04
16	0551014099	COUPLING SHAFT 31,75 X 185		04
17	0501017779	FLAT WASHER 32 X 60 X 4,75		08
18	0503031738	WARNING DECAL		01
19	0503031428	READ MANUAL DECAL		01
20	0503033038	DANGER DECAL		02
21	0503033647	APPROVED DECAL		01
22	0503033241	CIVEMASA 100 X 400 BADGE		02
23	0503031739	DANGER DECAL		01
24	0503034004	ALUMINUM IDENTIFICATION DECAL		01
25	0503010001	RIVET 3,2 X 5,5		04
26	0503010002	1800 GREASE FITTING		02
27	0503034239	BADGE		02

DRAWBAR ASSEMBLY

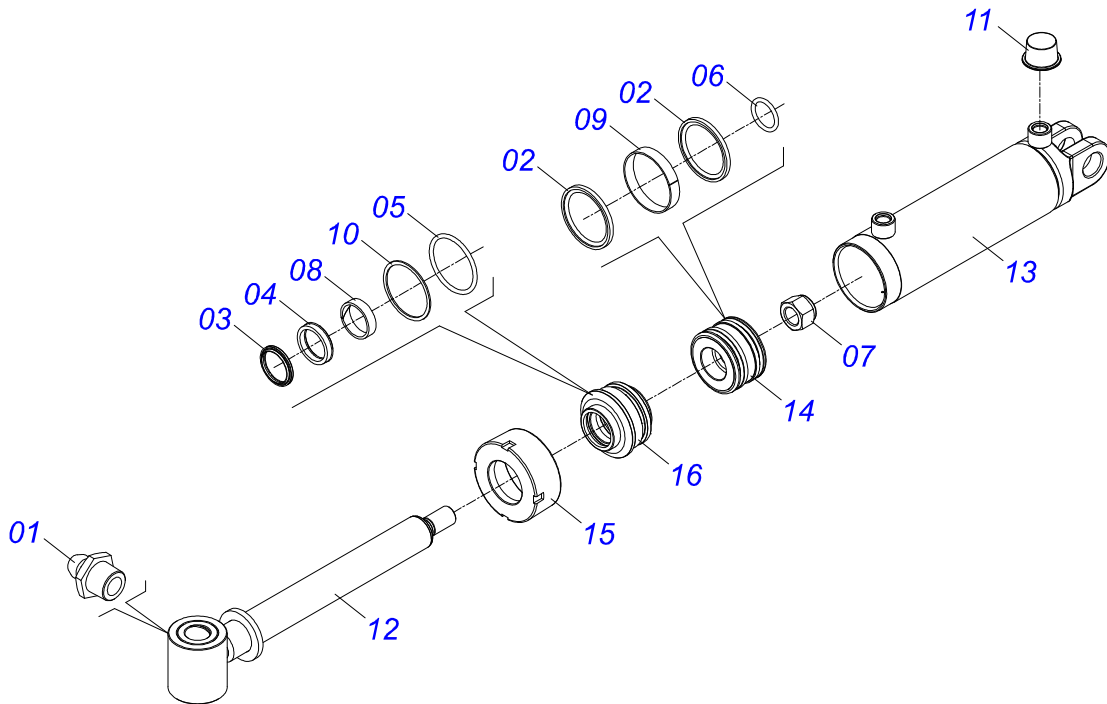


Item	Code	Description	See page	QT
01	0511060300	DRAWBAR		01
02	0521068888	TRACTOR HITCH BODY		01
03	0521013739	BOLT HARNESS		01
04	0501812916	FLAT WASHER		01
05	0503010067	3/16" X 2.1/2" SPLIT PIN		01
06	0511060301	PLATE HITCH		01
07	0511060302	PLATE HITCH		01
08	0503012192	1-1/4" X 8 BOLT		04
09	0503012181	1.1/4" NUT		04
10	0503012258	1-1/2" X 9" BOLT		01
11	0501810110	1.1/2 NC 6FPP NUT		01
12	0503013627	1.1/2 SPRING WASHER		01
13	0511060146	PIN FIXER		01
14	0503031479	STAPLE		01
15	0502011592	CASTLE NUT		01

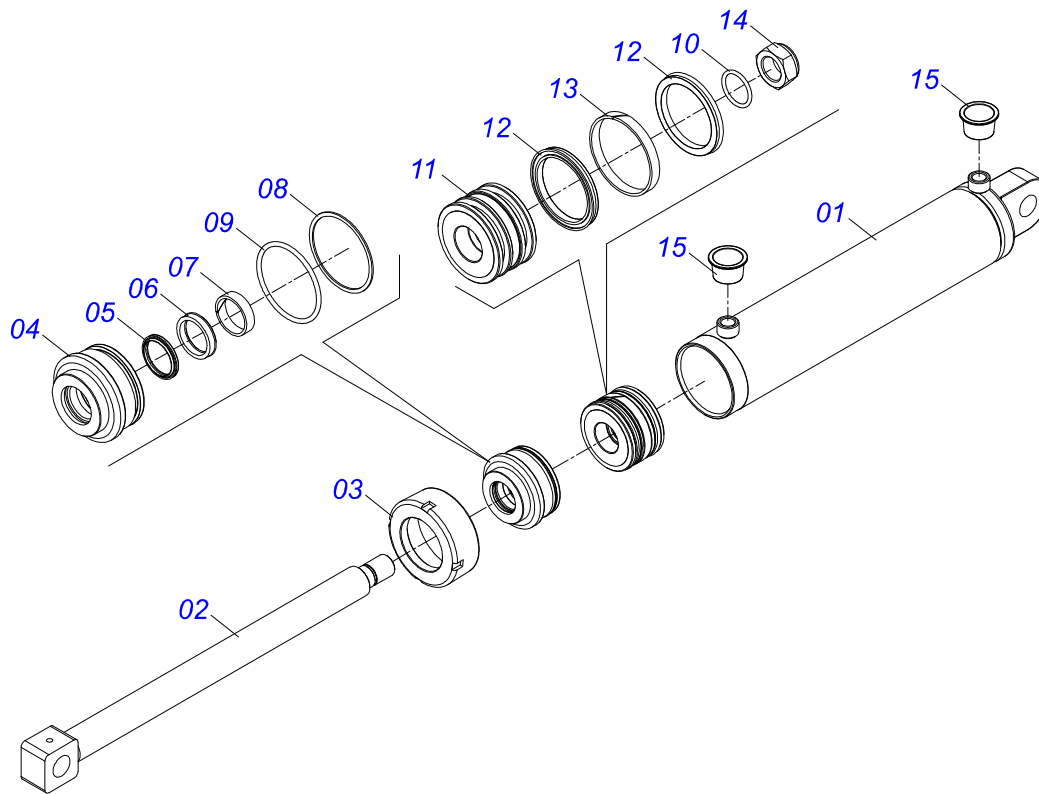
DRAWBAR



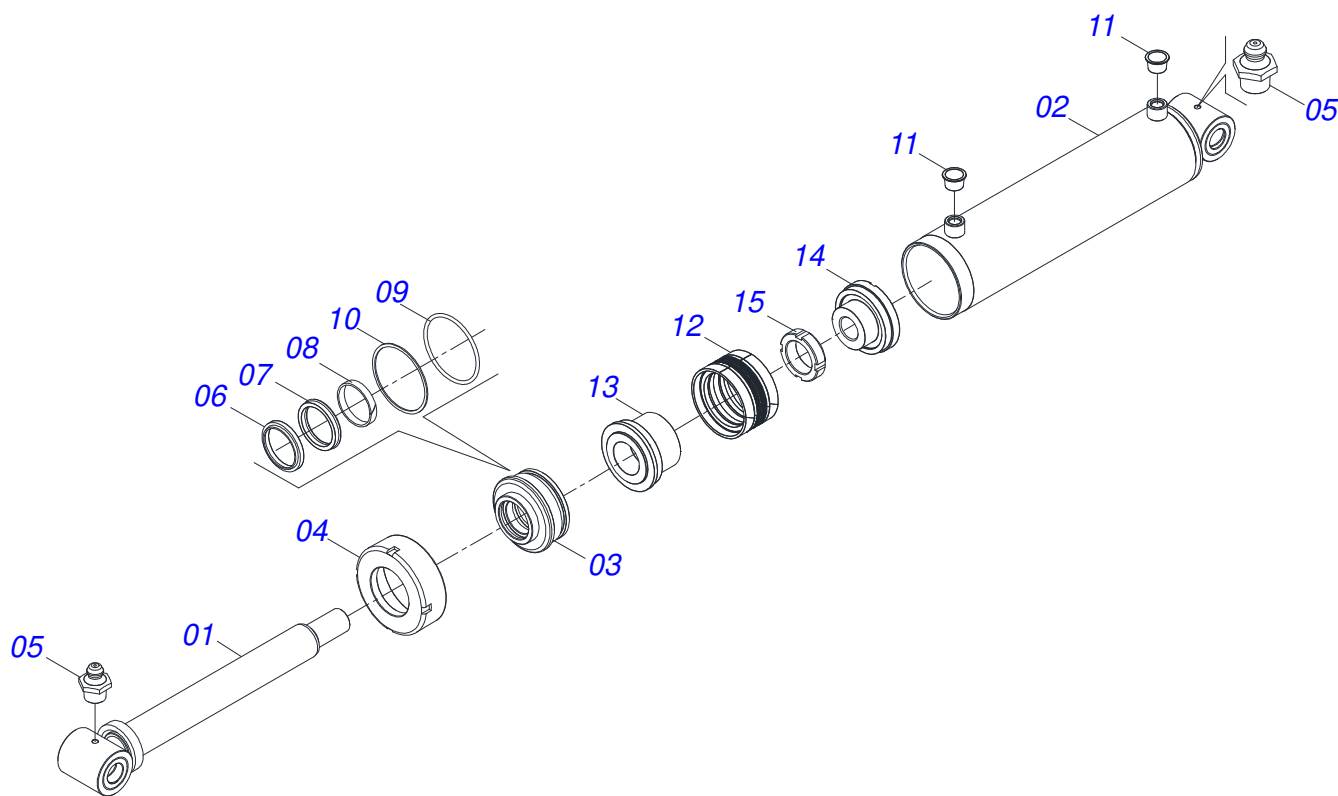
Item	Code	Description	See page	QT
01	0531065504	DRAWBAR		01
02	0521068888	TRACTOR HITCH BODY		01
03	0521013739	BOLT HARNESS		01
04	0501012916	FLAT WASHER 40 X 66 X 4,75 ZN		01
05	0503010067	3/16" X 2.1/2" SPLIT PIN		01
06	0511060301	PLATE HITCH		01
07	0511060302	PLATE HITCH		01
08	0503012192	1-1/4" X 8 BOLT		04
09	0503012181	1.1/4" NUT		04
10	0503012258	1-1/2" X 9" BOLT		01
11	0501010110	NUT 1.1/2 NC 6FPP HEXAGONAL 2.3/8" ZN		01
12	0503013627	1.1/2 SPRING WASHER		01
13	0511060146	PIN FIXER		01
14	0503031479	STAPLE		01
15	0502011592	CASTLE NUT		01



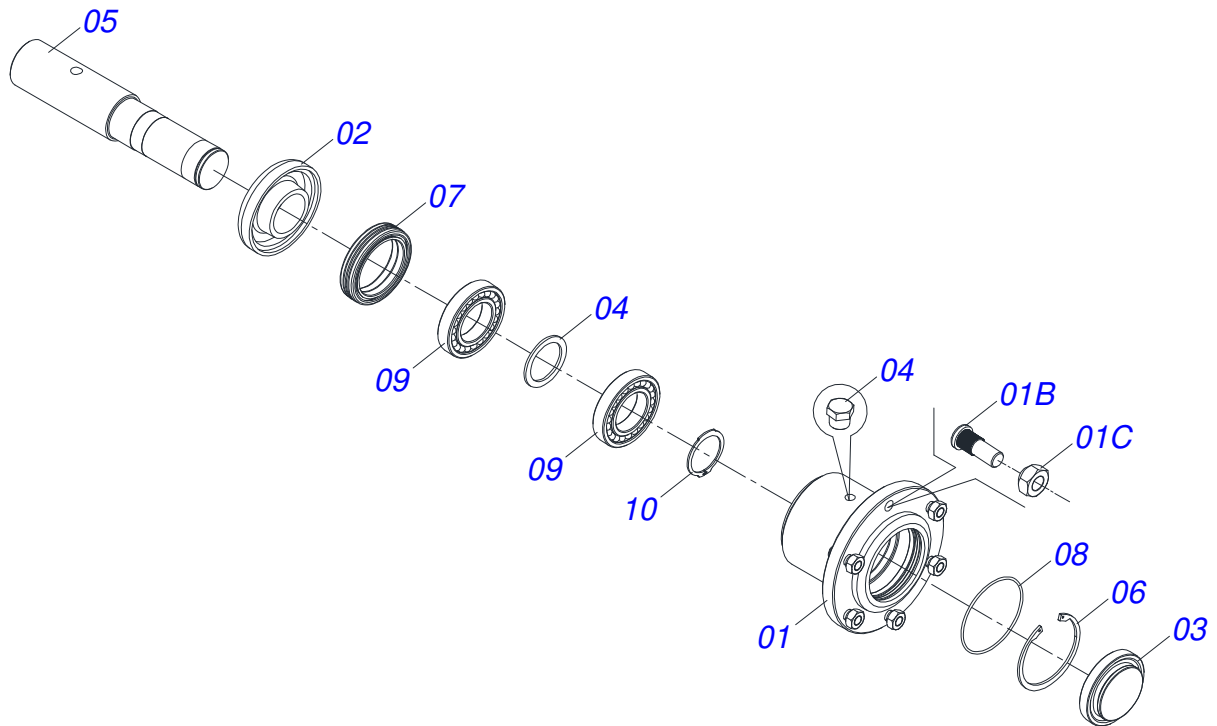
Item	Code	Description	See page	QT
01	0503010002	1800 GREASE FITTING		02
02	0503010043	PACKING 3750-3250		02
03	0503010314	GASKET		01
04	0503010319	D-2125 SCRAPER		01
05	0503010338	2-342 N 3006-9B O'RING		01
06	0503010345	2-218 N 3006-9B O'RING		01
07	0503010817	SELF LOCKING NUT 1.1/4 UNF ALTA G.5 ZN		01
08	0503010973	W2-2500-500 PK O'RING G.E		01
09	0503010994	W2-4000-500 PK RING G.E		01
10	0503011061	8-342 BACK-UP RING		01
11	0503030384	CON PLUG N-001		02
12	0531062835	EXTENDER 53.98 X 609		01
13	0511062253	CYLINDER CASE		01
14	0502011969	53,98 X 101,60 PISTON		01
15	0502010017	4" LID		01
16	0502011250	RING OF SUPPORT		01



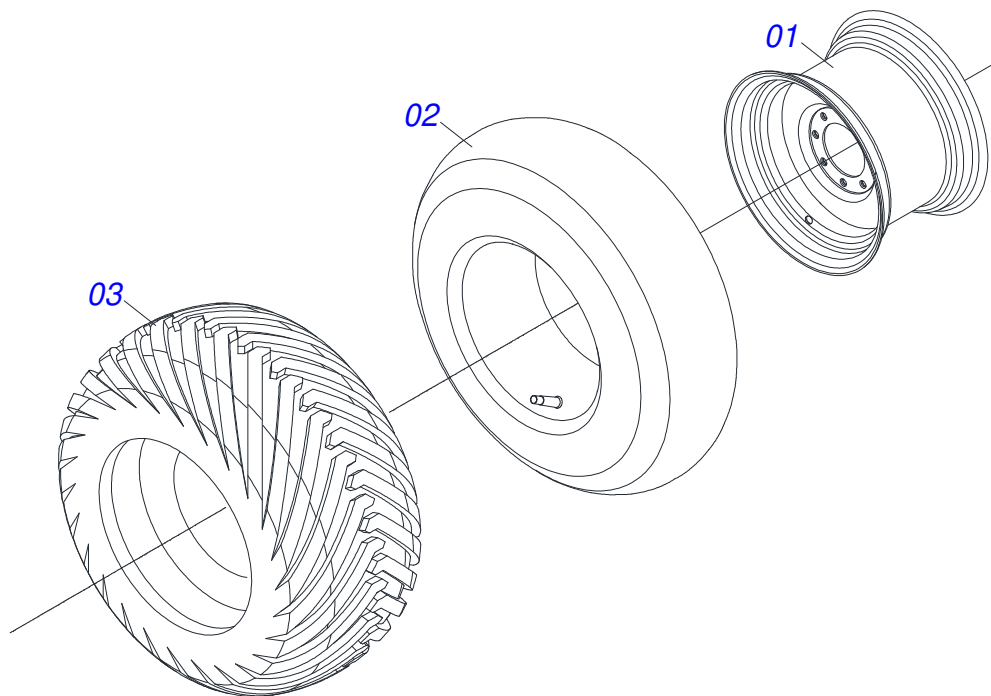
Item	Code	Description	See page	QT
01	0511062254	101,6 X 518 CYLINDER BARREL		01
02	0511062248	44,45 X 617 EXTENDER		01
03	0502010017	4" LID		01
04	0502010841	RING OF SUPPORT		01
05	0503010761	D-1750 SCRAPER RING		01
06	0503010990	GASKET		01
07	0503010949	W2-2000-500 PK RING G.E		01
08	0503011061	8-342 BACK-UP RING		01
09	0503010338	2-342 N 3006-9B O'RING		01
10	0503010345	2-218 N 3006-9B O'RING		01
11	0502010793	1.7" X 4" PISTON		01
12	0503010043	PACKING 3750-3250		02
13	0503010994	W2-4000-500 PK RING G.E		01
14	0503010044	SELF LOCKING NUT 1.1/4 UNF G.5 ZN		01
15	0503030384	CON PLUG N-001		02



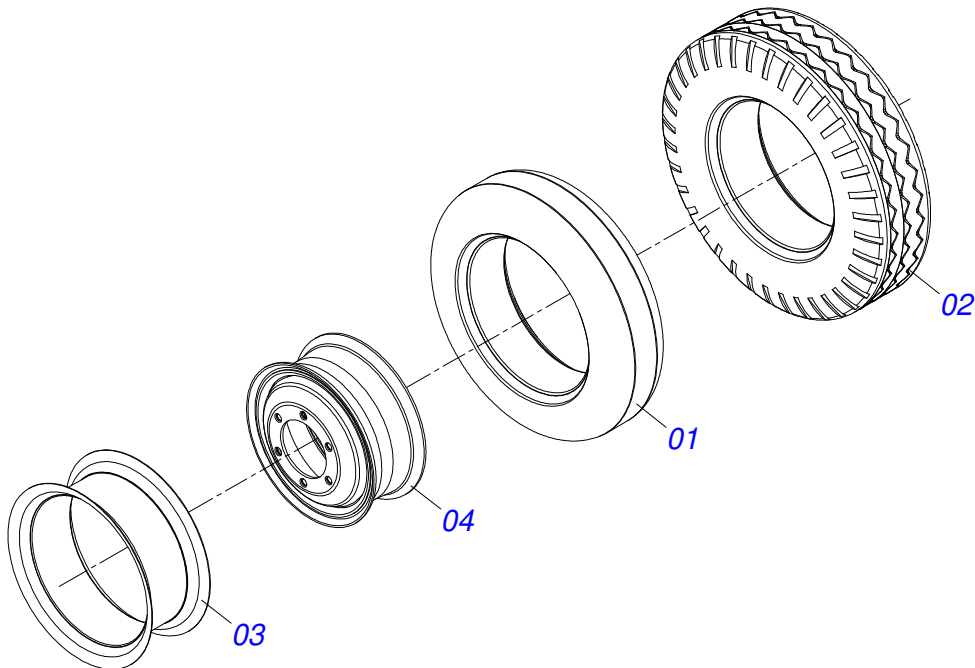
Item	Code	Description	See page	QT
01	0531065488	53,98 X 667 EXTENDER		01
02	0531065489	114,30 X 554 CYLINDER BARREL		01
03	0502012644	RING SUPPORT		01
04	0502011222	END CAP 4 . 1/2"		01
05	0503010002	1800 GREASE FITTING		02
06	0503015715	SCRAPER SEALING		01
07	0503015642	U-CUP SEALING RUUB000970		01
08	0503015641	WEAR RING		01
09	0503011892	O' RING, 2-346 N 3006-9B		01
10	0503011893	BACK-UP RING, 8-346		01
11	0503030384	CON PLUG N-001		02
12	0503015640	SEALING SELEMASTER		01
13	0561016578	PISTON BODY		01
14	0581015283	BODY		01
15	0503819100	SCREW		01



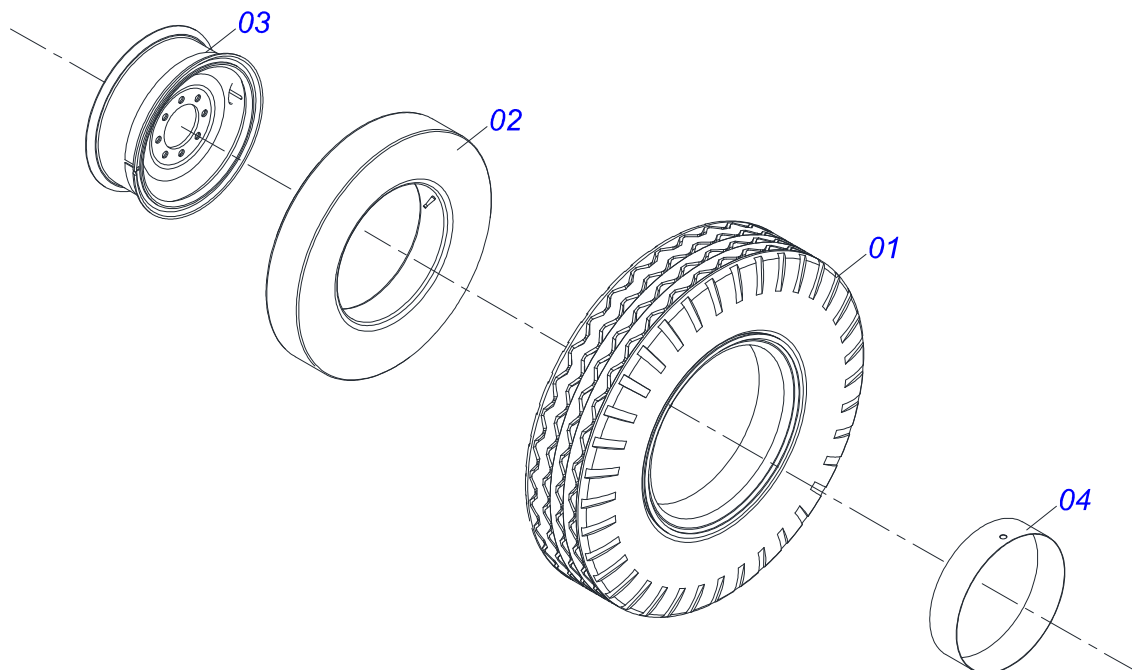
Item	Code	Description	See page	QT
01	0501110767	HUB CARRYING WHEELS WITH BOLT		01
01A	0502011595	WHEEL HUB		01
01B	0503012307	5/8" X 2" BOLT		06
01C	0503010064	5/8 UNF CONIC NUT		06
02	0502020649	SUPPORT SEAL		01
03	0502020648	COVER		01
04	0521013887	FLANGE WASHER		01
05	0521013889	CR 70/5A AXLE		01
06	0503012312	RENO RING 502120		01
07	0503012313	SEAL		01
08	0503012314	2-248 1G05195 O'RING		01
09	0503012294	BEARING LM		02
10	0503012311	501065 RENO RING		01
11	0503010856	OIL PLUG R 3/8 BSPT		01



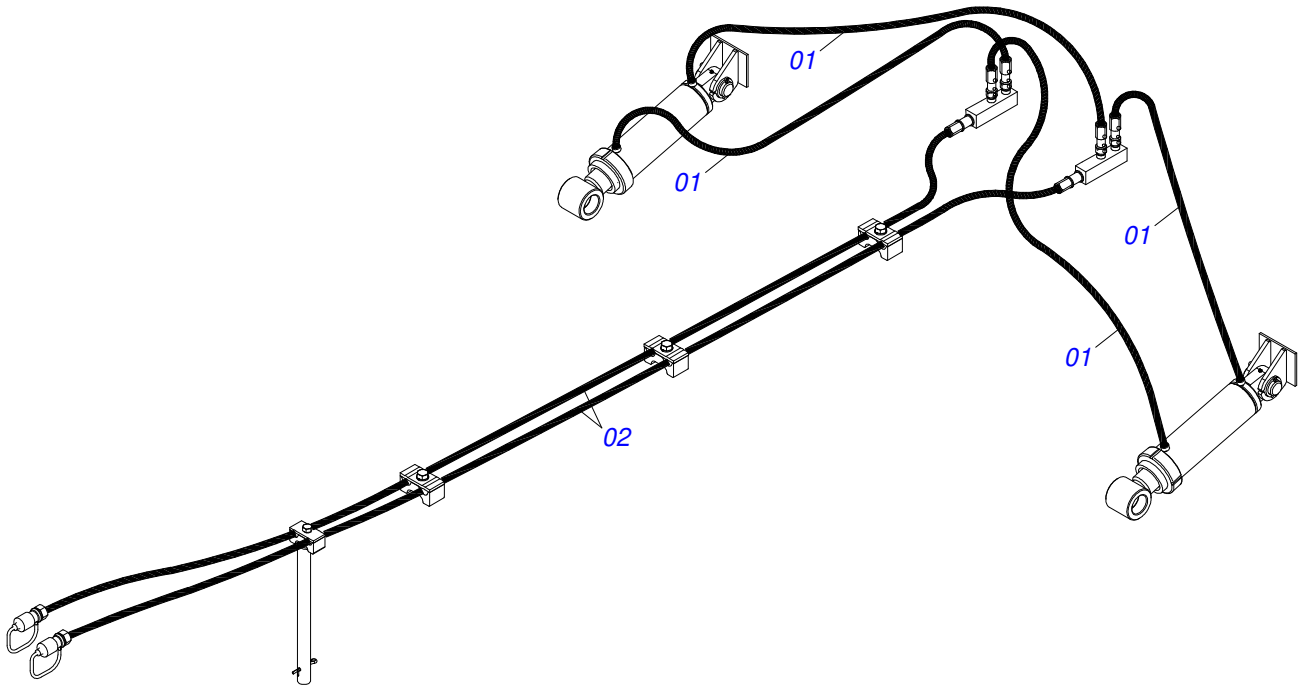
Item	Code	Description	See page	QT
01	0503012916	W-13 X 16,5 HOOP WHEEL		01
02	0503012112	400/60 - 15.5 TR 15 INNER TIRE		01
03	0503013119	CANVAS TIRE 400/60-15,5-T404-14L TRELEBORG		01



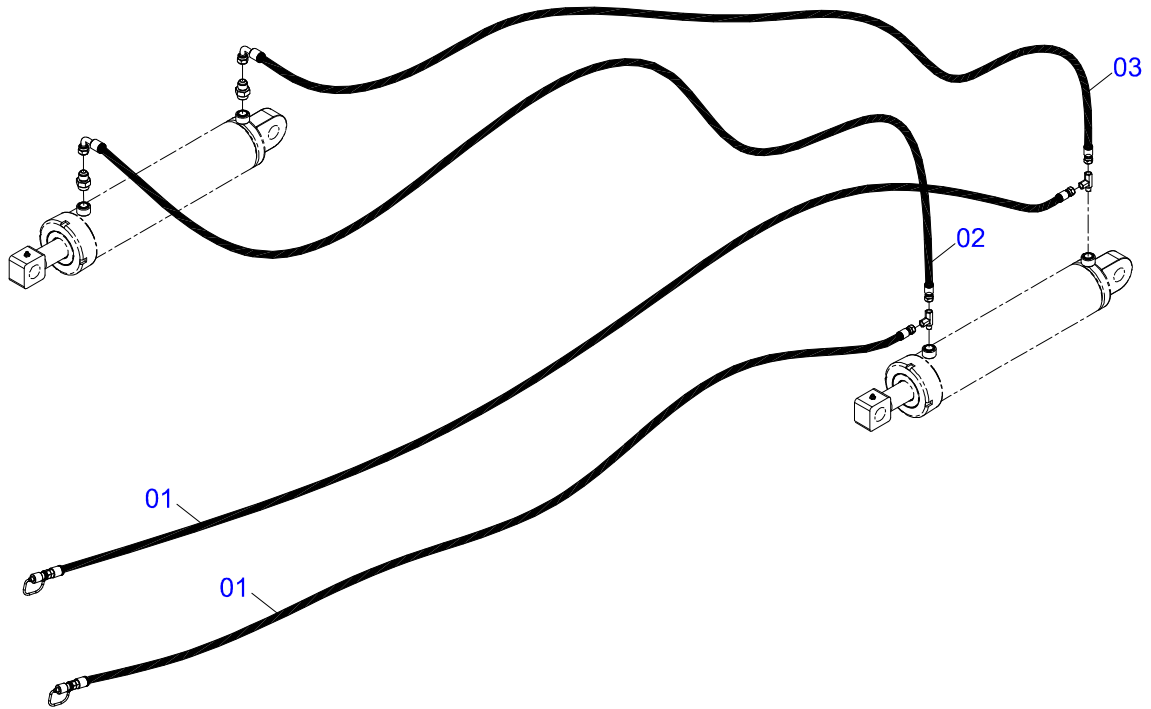
Item	Code	Description	See page	QT
01	0503012299	7.50 X 16 INNER TIRE		04
02	0503012300	TIRE 10L		04
03	0503010471	0.3" X 0.6" PROTECTION		04
04	0503012302	WHEEL AND TIRE RING		01



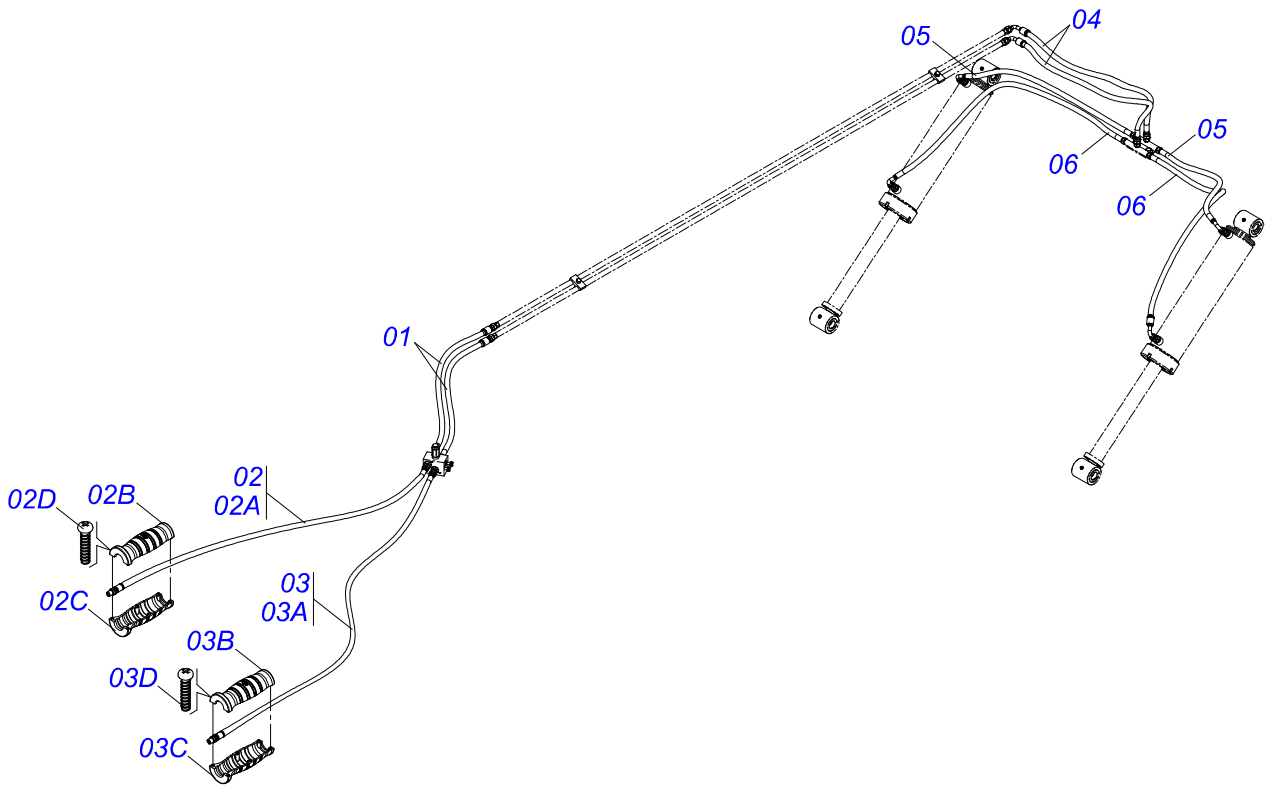
Item	Code	Description	See page	QT
01	0503010494	9.0LX 20" X 14 PLY, TIRE		01
02	0503010057	INNER TIRE		01
03	0501068263	2.6"X0.8"X6.0"X 8F0. 9"X8.0" WHEEL		01
04	0503010470	PROTECTION		01



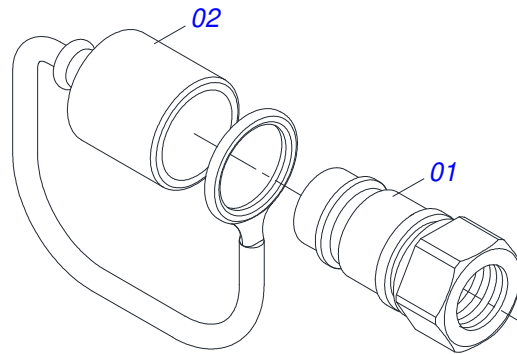
Item	Code	Description	See page	QT
01	0501080801	3/8 X 1100 TR-TM HOSE		04
02	0501080815	TM-TM HOSE ASSY		02



Item	Code	Description	See page	QT
01	0501080821	3/8 X 7700 TM-TM HOSE		02
02	0501080891	TC-TM HOSE ASSY		01
03	0501080737	TC-TM HOSE ASSY		01

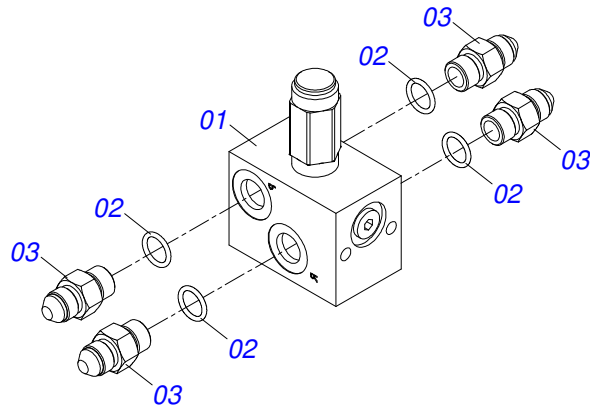


Item	Code	Description	See page	QT
01	0501080027	3/8" X 39,3" TR-TR HOSE		02
02	0521054047	3/8 X 7700 TR-TM BLACK/RED HOSE		01
02A	0501082211	3/8 X 7700 TR-TM HOSE		01
02B	0503034495	HYDRAULIC HOSE GRIP (RED)		01
02C	0503034492	HYDRAULIC HOSE GRIP (BLACK)		01
02D	0503018952	PH 2,5 X 10 ZB PLASTIC BOLT		06
03	0521054046	3/8 X 7700 TR-TM BLACK/BLUE HOSE		01
03A	0501082211	3/8 X 7700 TR-TM HOSE		01
03B	0503034492	HYDRAULIC HOSE GRIP (BLACK)		01
03C	0503018952	PH 2,5 X 10 ZB PLASTIC BOLT		06
03D	0503034494	HYDRAULIC HOSE GRIP (BLUE)		01
04	0501080485	3/8 X 1100 TR-TC HOSE		02
05	0501080249	3/8 X 850 TR-TC HOSE		02
06	0501082045	3/8 X 1250 TR-TC HOSE		02

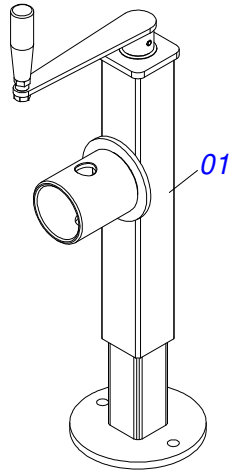


Item	Code	Description	See page	QT
01	0503011627	MALE QUICK COUPLER AGR 1/2 NPT		01
02	0503011882	MALE QUICK COUPLER CAP		01

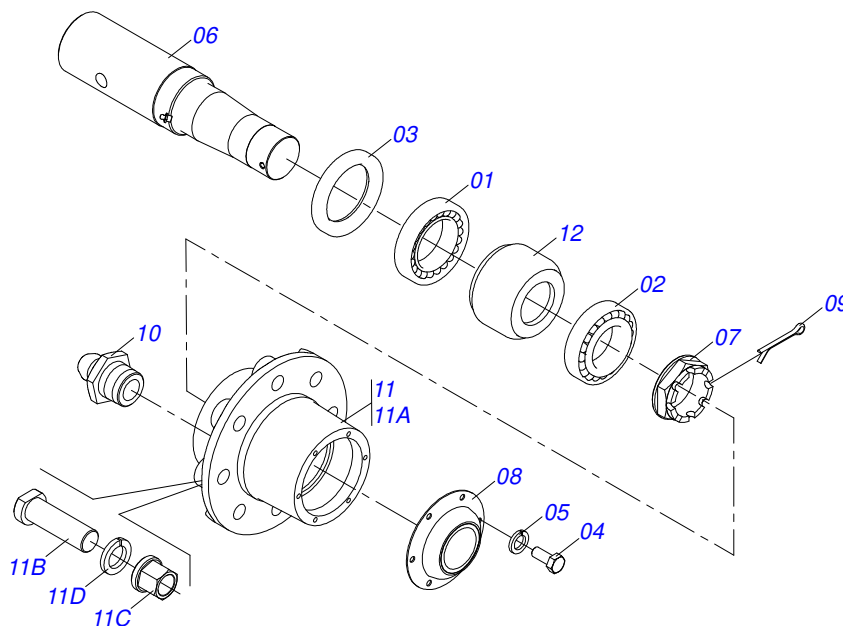
RELIEF VALVE



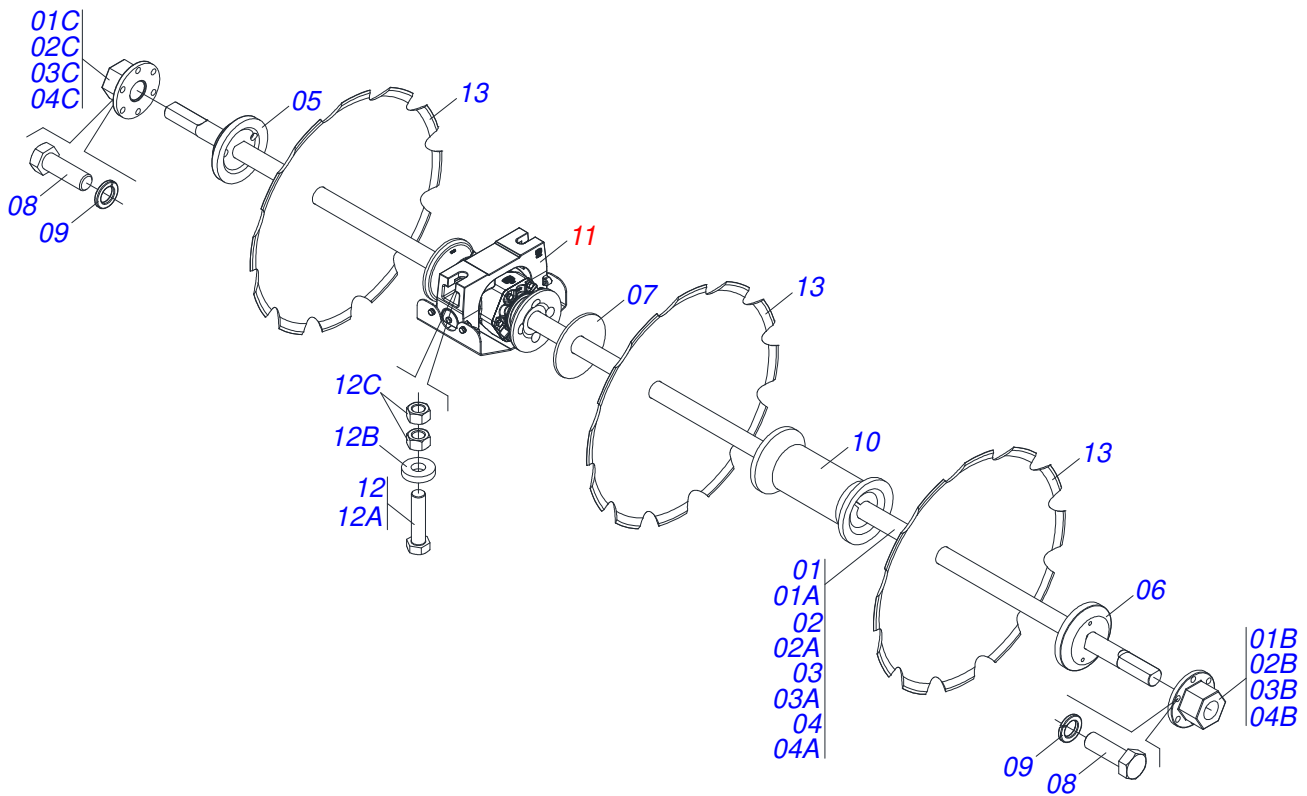
Item	Code	Description	See page	QT
01	0503010919	DISCHARGE VALVE		01
02	0503010190	2-114 N 3006-9B O'RING		04
03	0501010617	NIPLE 3/4" NF X 3/4" NF HEX. 7/8" X 44		04



Item	Code	Description	See page	QT
01	0503062227	DRAWBAR JACK		01

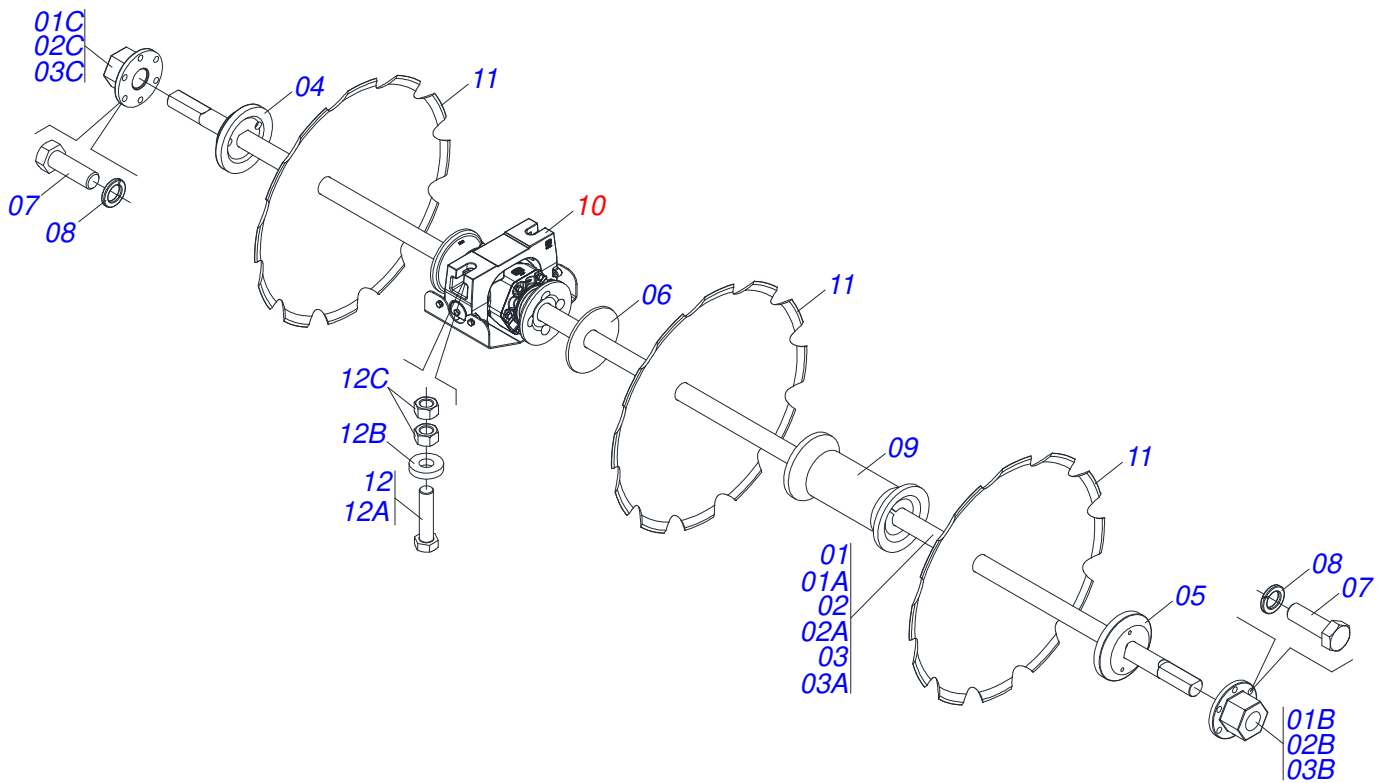


Item	Code	Description	See page	QT
01	0503010059	33287/33462 ROLLER BEARING		01
02	0503010007	3982/3920 ROLLER BEARING		01
03	0503010050	SEAL 00085-B		01
04	0503010240	BOLT		06
05	0503011444	SPRING WASHER 5/16"		06
06	0571013653	POINT AXIS 88,80 X 430		01
07	0502040080	FLANGE NUT R.2.1/2" UN		01
08	0541013225	WHEEL HUB LID		01
09	0503012231	1/4" X 3" SPLIT PIN		01
10	0503010002	1800 GREASE FITTING		01
11	0501110751	HUB AND SPINDLE WITH BOLT		01
11A	0502040522	HUB CARRYING-WHEELS		01
11B	0503011339	M22 X 1,5 X 72 BOLT		08
11C	0503011341	M22 X 0.6" NUT GR8		08
11D	0503011340	SPHERICAL SPRING WASHER		08
12	1882970002	GREASE		01

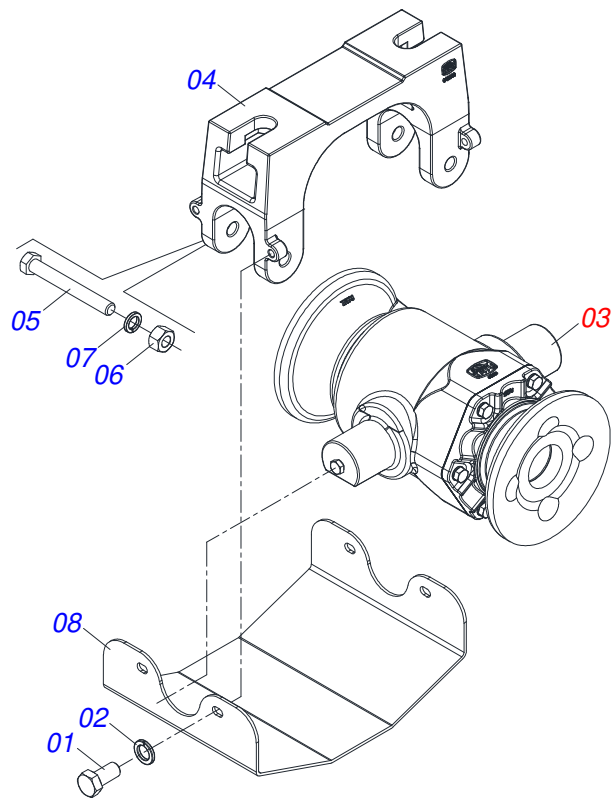


Item	Code	Description	See page	12	14	16	18	20	22
01	0511050420	2.1/2 UNC X 1645 AXLE WITH NUTS		00	00	04	02	00	00
01A	0521014224	3452369 AXLE		00	00	01	01	00	00
01B	0502011659	3452378 AXLE NUT		00	00	01	01	00	00
01C	0502011660	3452387 AXLE NUT		00	00	01	01	00	00
02	0511050263	2.1/2 UNC X 2100 AXLE WITH NUTS		00	00	00	02	04	02
02A	0521013899	3450461 AXLE		00	00	00	01	01	01
02B	0502011659	3452378 AXLE NUT		00	00	00	01	01	01
02C	0502011660	3452387 AXLE NUT		00	00	00	01	01	01
03	0511050284	2.1/2 UNC X 2560 AXLE WITH NUTS		02	00	00	00	00	02
03A	0521013939	3450690 AXLE		01	00	00	00	00	01
03B	0502011659	3452378 AXLE NUT		01	00	00	00	00	01
03C	0502011660	3452387 AXLE NUT		01	00	00	00	00	01
04	0501059684	2.1/2 UNC X 3010 AXLE WITH NUTS		00	02	00	00	00	00
04A	0521014883	3450892 AXLE		00	01	00	00	00	00
04B	0502011659	3452378 AXLE NUT		00	01	00	00	00	00
04C	0502011660	3452387 AXLE NUT		00	01	00	00	00	00
05	0502011669	OUTER FLANGE		02	02	04	04	04	04
06	0502011670	INNER FLANGE		02	02	04	04	04	04
07	0521013900	3451204 CHOCK		04	04	04	06	04	08
08	0503011267	BOLT 5/8" UNC X 1.1/2 C S G.5 ZN		04	04	08	08	08	08
09	0503010027	5/8 SPRING WASHER		04	04	08	08	08	08
10	0502011664	3454468 SPACER		06	06	04	06	08	10
11	0531041587	430 X 2.1/2 AGRICULTURAL BEARING WITH PROTECTION SUPPORT	23	04	06	08	08	08	08
12	0531040741	ASSY 1.1/4 UNC X 5 BOLT		08	12	16	16	16	16
12A	0503011347	1.1/4" X 5" BOLT		01	01	01	01	01	01
12B	0571010448	32,50 X 75 X 16 SLEEVE		01	01	01	01	01	01
12C	0503012181	1.1/4" NUT		02	02	02	02	02	02
13	0602044033	DR 32 X 9 C115AF04FR2.9/16 10REC		12	14	16	18	20	22
13.	0602044004	DR 32 X 12 C115AF04FR2.9/16 10REC		12	14	16	18	20	22

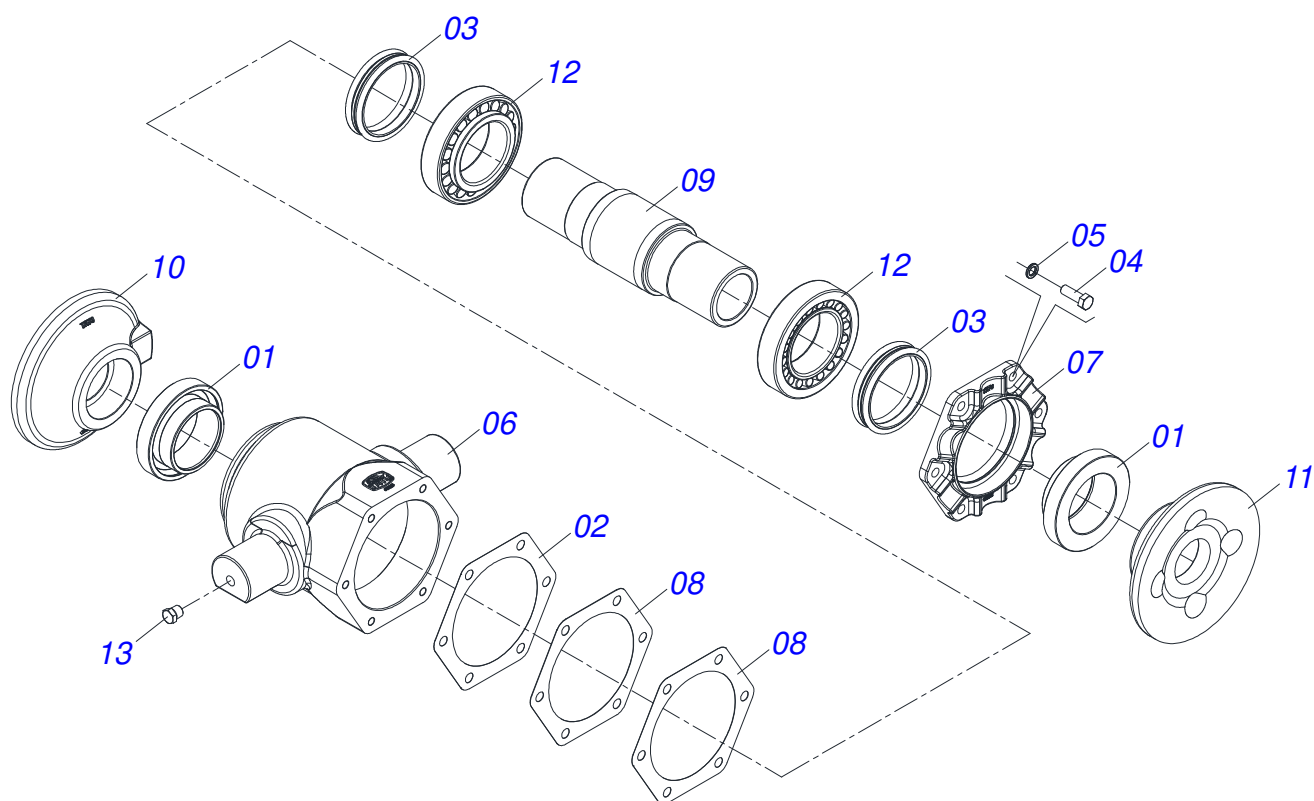
Item	Code	Description	See page	12	14	16	18	20	22
13..	0602046001	DR 34 X 9 C120AF04FR2.9/16 12REC		12	14	16	18	20	22
13...	0602046002	DR 34 X 12 C120AF04FR2.9/16 12REC		12	14	16	18	20	22
13....	0602048062	DR 36 X 12 C130AF04FR2.9/16 12REC		12	14	16	18	20	22



Item	Code	Description	See page	24	26
01	0501059684	2.1/2 UNC X 3010 AXLE WITH NUTS		02	02
01A	0521014883	3450892 AXLE		01	01
01B	0502011659	3452378 AXLE NUT		01	01
01C	0502011660	3452387 AXLE NUT		01	01
02	0511050263	2.1/2 UNC X 2100 AXLE WITH NUTS		02	00
02A	0521013899	3450461 AXLE		01	00
02B	0502011659	3452378 AXLE NUT		01	00
02C	0502011660	3452387 AXLE NUT		01	00
03	0511050284	2.1/2 UNC X 2560 AXLE WITH NUTS		00	02
03A	0521013939	3450690 AXLE		00	01
03B	0502011659	3452378 AXLE NUT		00	01
03C	0502011660	3452387 AXLE NUT		00	01
04	0502011669	OUTER FLANGE		04	04
05	0502011670	INNER FLANGE		04	04
06	0521013900	3451204 CHOCK		10	10
07	0503010920	1/2 UNC X 1.1/2 C S G.5 ZN BOLT		08	08
08	0503010019	1/2" SPRING WASHER		08	08
09	0502011664	3454468 SPACER		10	12
10	0531041587	430 X 2.1/2 AGRICULTURAL BEARING WITH 23 PROTECTION SUPPORT		10	10
11	0602046002	DR 34 X 12 C120AF04FR2.9/16 12REC		24	26
11.	0602048062	DR 36 X 12 C130AF04FR2.9/16 12REC		24	26
11..	0602050016	DR 38 X 12 C140AF04FR2.9/16 12REC		24	26
12	0531040741	ASSY 1.1/4 UNC X 5 BOLT		20	20
12A	0503011347	1.1/4" X 5" BOLT		01	01
12B	0571010448	32,50 X 75 X 16 SLEEVE		01	01
12C	0503012181	1.1/4" NUT		02	02



Item	Code	Description	See page	QT
01	0503010834	1/2 X 1 BOLT		04
02	0503010019	1/2" SPRING WASHER		04
03	0531052867	430 X 2.1/2 AGRICULTURAL BEARING	24	01
04	0502013003	2.3/4 BEARING SUPPORT		01
05	0503011198	BOLT 3/4" UNC X 6" CS G.5		02
06	0503010014	3/4" ZN G.5 (HEAVY) UNC HEX NUT		02
07	0503010023	3/4" SPRING WASHER		02
08	0501213896	BEARING COVER		01



Item	Code	Description	See page	QT
01	0502040119	SEAL RETAINER		02
02	0503035599	205 X 160,5 X 0,20 SEAL GASKET		01
03	0503030029	RETAINER LP JB-259		02
04	0503010920	1/2 UNC X 1.1/2 C S G.5 ZN BOLT		06
05	0503011440	SPRING WASHER		06
06	0502013002	BEARING HUB		01
07	0502013005	BEARING HUB LID		01
08	0503035600	205 X 160,5 X 0,40 SEAL GASKET		02
09	0502040039	AXLE		01
10	0502040165	INNER FLANGE		01
11	0502040164	OUTER FLANGE		01
12	0503010118	32218 BEARING		02
13	0503010856	OIL PLUG R 3/8 BSPT		02



civemasa

Technical Publications | Elaboration and Revision
LEONARDO JOSÉ DA SILVA SOUZA

www.civemasa.com.br

