

**DISK HARROWS**

## **GVP HYDRAULIC - 10/20/22/24D**

**Code:** 0501093544  
**Series:** S-0523  
**Revision:** 00  
**Revision Date:** AGOSTO/2023

# **PARTS CATALOGUE**

***CIVEMASA***

A solid orange horizontal bar is positioned at the top left of the page, above the "PRODUCTS" heading.

# PRODUCTS

<b>Code</b>	<b>Description</b>
0120010042	GVP 10 X 36 X 12 DR DMO HID E 2.1/2 S-0523
0120010041	GVP 20X36X12 DR DMO HID E 2.1/2 S-0523
0120010040	GVP 22X36X9,00 DR DMO HID E 2.1/2 S-0523
0120010044	GVP 24 DMO HID E 2.1/2 ESPECIAL S-0523
0120010045	GVP 24X36X12 DR DMO HID E 2.1/2 S-0523

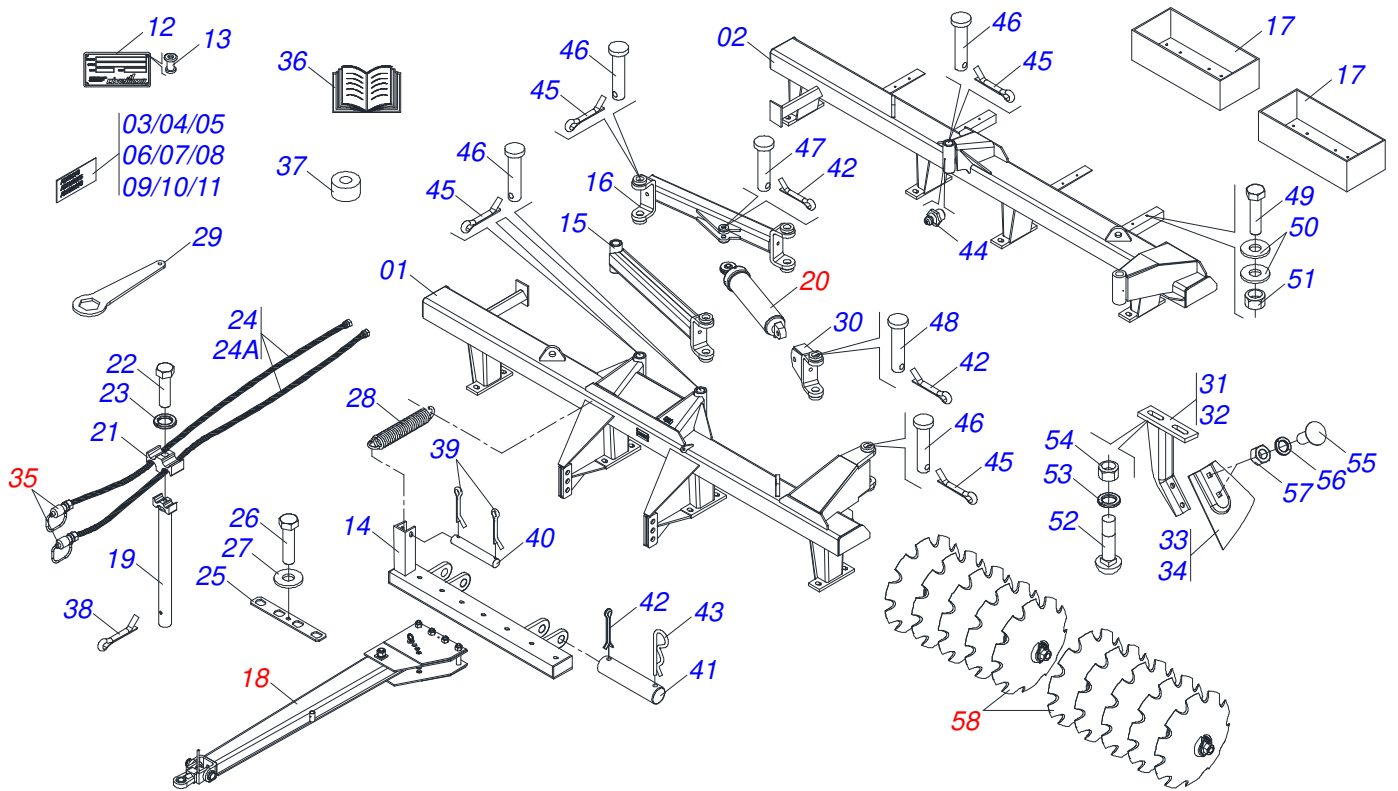
## **ATTENTION: IMPORTANT**

CIVEMASA reserves the right to improve and/or modify the technical features of its products, without obligation to do the same with those products already sold and without prior knowledge of the dealer or the customer. The photos are only illustrative.



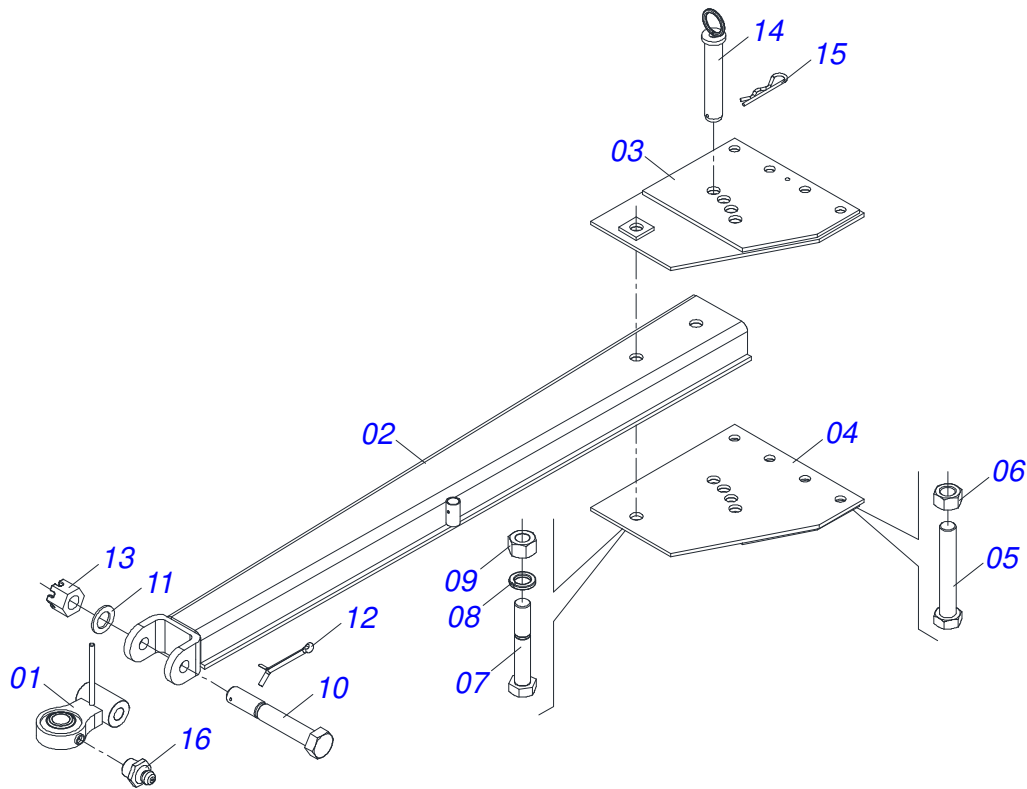
# INDEX

0909096812	ASSY FRAME - 10/20/22/24D	.....	1
0511053533	ASSY DRAWBAR	.....	2
0511052437	ASSY DRAWBAR	.....	3
0501048683	HIDRAULIC CYLINDER	.....	4
0501053834	MALE QUICK COUPLER	.....	5
0909096813	ASSY DISC GANG - 10/20/22/24D	.....	6
0531041587	430 X 2.1/2 BEARING WITH PROTECTION SUPPORT	.....	7
0531052867	430 X 2.1/2 BEARING	.....	8

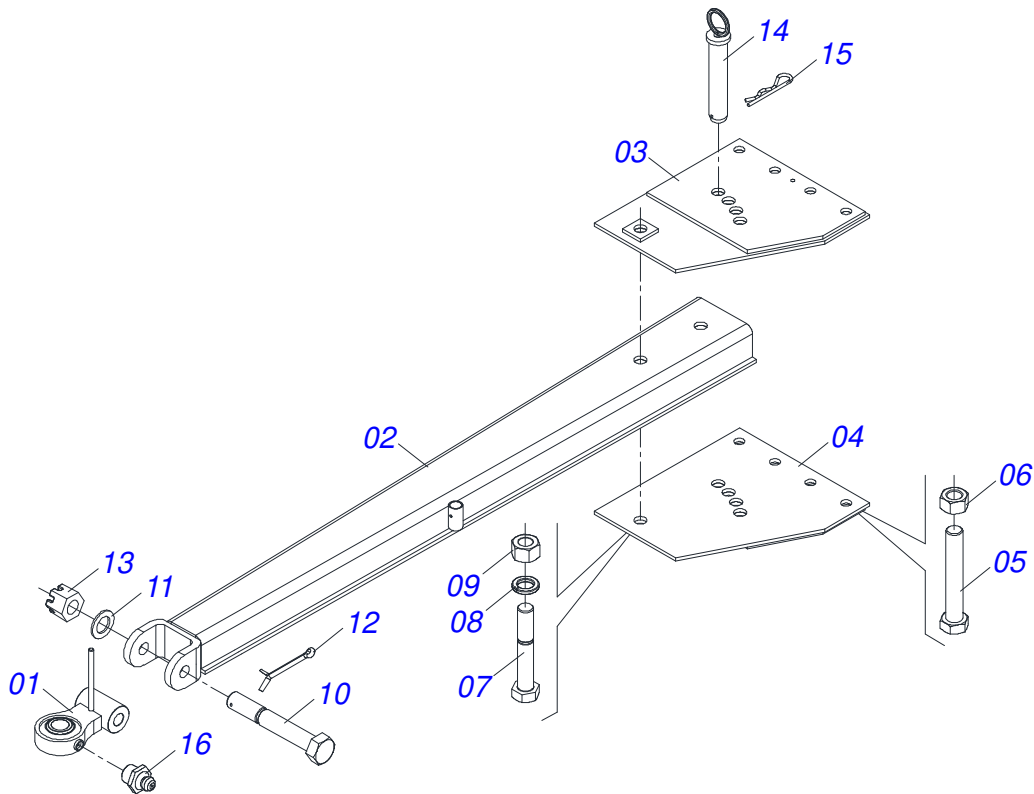


Item	Code	Description	See page	10	20	22	24
01	0511061125	FRONT FRAME		01	00	00	00
01.	0511060381	FRONT FRAME		00	01	00	00
01..	0521060309	FRONT FRAME		00	00	01	00
01...	0521060309	FRONT FRAME		00	00	00	01
02	0511061124	REAR FRAME		01	00	00	00
02.	0511060382	REAR FRAME		00	01	00	00
02..	0511064972	REAR FRAME		00	00	01	00
02...	0511064972	REAR FRAME		00	00	00	01
03	0503034438	ADHESIVE LABEL		01	01	01	01
04	0503031428	READ MANUAL DECAL		01	01	01	01
05	0503031738	ADHESIVE LABEL		01	01	01	01
06	0503033038	DANGER SIGN		02	02	02	02
07	0503031807	ADHESIVE LABEL		01	01	01	01
08	0503033539	GVP EMBLEM		02	02	02	02
09	0503033647	APPROVED DECAL		01	01	01	01
10	0503033241	CIVEMASA 100 X 400 BADGE		02	02	02	02
11	0503031739	ADHESIVE LABEL		01	01	01	01
12	0503034004	ALUMINUM IDENTIFICATION DECAL		01	01	01	01
13	0503010001	3.2 X 5.5 RIVET		04	04	04	04
14	0511061128	DRAWBAR ASSY		01	00	00	00
14.	0511060383	TRACTION BAR		00	01	01	01
15	0521066307	FRONT ARTICULATION SUPPORT		01	00	00	00
15.	0521066309	FRONT ARTICULATION SUPPORT		00	01	01	01
16	0521066308	REAR ARTICULATION SUPPORT		01	00	00	00
16.	0511060384	REAR ARTICULATION SUPPORT		00	01	01	01
17	0511060170	WEIGHT BOX		02	02	02	02
18	0511053533	ASSY DRAWBAR	2	01	00	00	00
18.	0511052437	ASSY DRAWBAR	3	00	01	01	01
19	0511060205	SUPPORT HOSE CNS 20104N		01	01	01	01
20	0501048683	HIDRAULIC CYLINDER	4	01	01	01	01
21	0502012702	BODY SUPPORT CLAMP		02	02	02	02

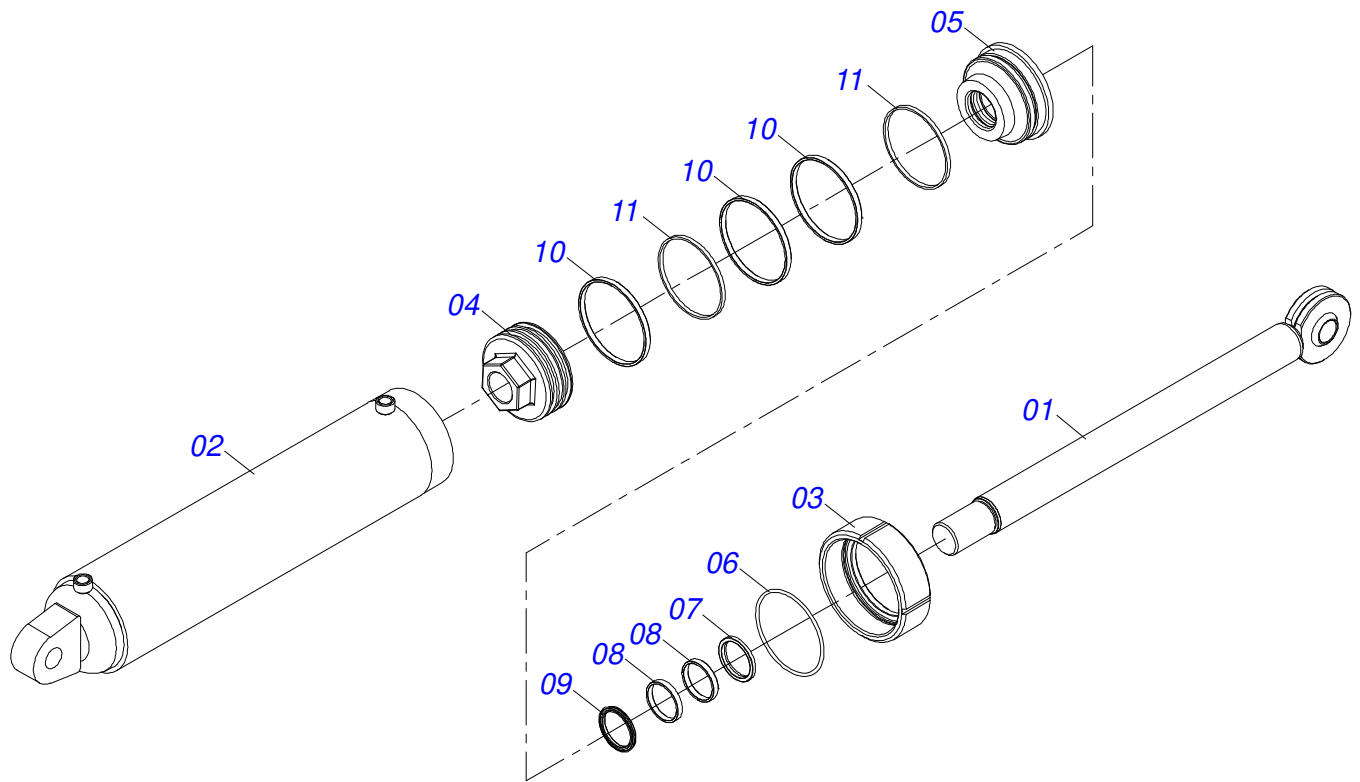
Item	Code	Description	See page	10	20	22	24
22	0503012555	SCREW 7/16 UNC X 2 CS RT G.7 ZN		02	02	02	02
23	0503010180	7/16" SPRING WASHER		02	02	02	02
24	0501053231	HOSE SET		01	01	01	01
24A	0501080802	3/8" X 244" TM-TM HOSE		02	02	02	02
25	0521013774	LOCK		01	01	01	01
26	0501010108	5/8" X 1" BOLT		01	01	01	01
27	0501012140	FLAT WASHER		01	01	01	01
28	0503031511	SPRING		01	01	01	01
29	0521013902	WRENCH NUT		02	02	02	02
30	0511061130	SUPPORT		01	00	00	00
30.	0511060380	SUPPORT		00	01	01	01
31	0511060304	FRONT SUPPORT		05	10	11	12
32	0511060305	REAR SUPPORT		05	10	11	12
33	0521013678	FRONT CLEANER		05	10	11	12
34	0521013679	REAR CLEANER		05	10	11	12
35	0501053834	MALE QUICK COUPLER	5	02	02	02	02
36	0511032617	BAG WITH INSTRUCTION MANUAL		01	01	01	01
37	0503013171	SEALING		01	01	01	01
38	0503012215	5/16" X 2.1/2" SPLIT PIN		01	01	01	01
39	0503010362	1/8" X 1.1/4" SPLIT PIN		02	02	02	02
40	0521014140	HEADLESS CLEVIS PIN		01	01	01	01
41	0521013704	HEADLESS CLEVIS PIN		02	02	02	02
42	0503010010	1/4" X 2.1/2" SPLIT PIN		04	04	04	04
43	0503031479	STAPLE		02	02	02	02
44	0503010002	1800 GREASE FITTING		06	06	06	06
45	0503010074	3/8" X 4" SPLIT PIN		05	05	05	05
46	0511060145	PIN		05	05	05	05
47	0521014207	CLEVIS PIN		01	01	01	01
48	0521014208	CLEVIS PIN		01	01	01	01
49	0503010920	1/2 UNC X 1.1/2 C S G.5 ZN BOLT		04	08	08	08
50	0511017302	FLAT WASHER 13,50 X 32,50 X 3,0 ZN		08	16	16	16
51	0503010060	1/2 UNC G.5 ZN HEX NUT		04	08	08	08
52	0503012180	FRENCH 3/4" X 2 BOLT		20	40	44	48
53	0503010023	3/4" SPRING WASHER		20	40	44	48
54	0503012183	SNC 3/4" ZIN 1K03097 NUT		20	40	44	48
55	0503012195	5/8" NUT		20	40	44	48
56	0503010027	5/8 SPRING WASHER		20	40	44	48
57	0503010013	5/8 NUT		20	40	44	48
58	0909096813	ASSY DISC GANG - 10/20/22/24D	6	01	01	01	01



Item	Code	Description	See page	QT
01	0521068888	TRACTOR HITCH BODY		01
02	0511061129	DRAWBAR		01
03	0511060171	PLATE HITCH		01
04	0511060172	PLATE HITCH		01
05	0503012244	1-1/4" X 7-3/4" BOLT		04
06	0503012181	1.1/4" NUT		04
07	0503012258	1-1/2" X 9" BOLT		01
08	0503010069	1.1/2" SPRING WASHER		01
09	0503012259	UNC1.1/2" ZIN 1K03155 NUT		01
10	0521013739	BOLT HARNESS		01
11	0501012916	FLAT WASHER 40 X 66 X 4,75 ZN		01
12	0503012213	1/4" X 4" SPLIT PIN		01
13	0502011592	CASTLE NUT		01
14	0511060146	PIN FIXER		01
15	0503031479	STAPLE		01
16	0503010002	1800 GREASE FITTING		01

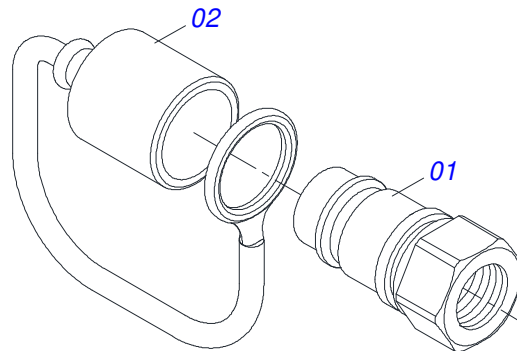


Item	Code	Description	See page	QT
01	0521068888	TRACTOR HITCH BODY		01
02	0511060161	AXLE ASSY		01
03	0511060171	PLATE HITCH		01
04	0511060172	PLATE HITCH		01
05	0503012244	1-1/4" X 7-3/4" BOLT		04
06	0503012181	1.1/4" NUT		04
07	0503012258	1-1/2" X 9" BOLT		01
08	0503010069	1.1/2" SPRING WASHER		01
09	0503012259	UNC1.1/2" ZIN 1K03155 NUT		01
10	0521013739	BOLT HARNESS		01
11	0501012916	FLAT WASHER 40 X 66 X 4,75 ZN		01
12	0503012213	1/4" X 4" SPLIT PIN		01
13	0502011592	CASTLE NUT		01
14	0511060146	PIN FIXER		01
15	0503031479	STAPLE		01
16	0503010002	1800 GREASE FITTING		01

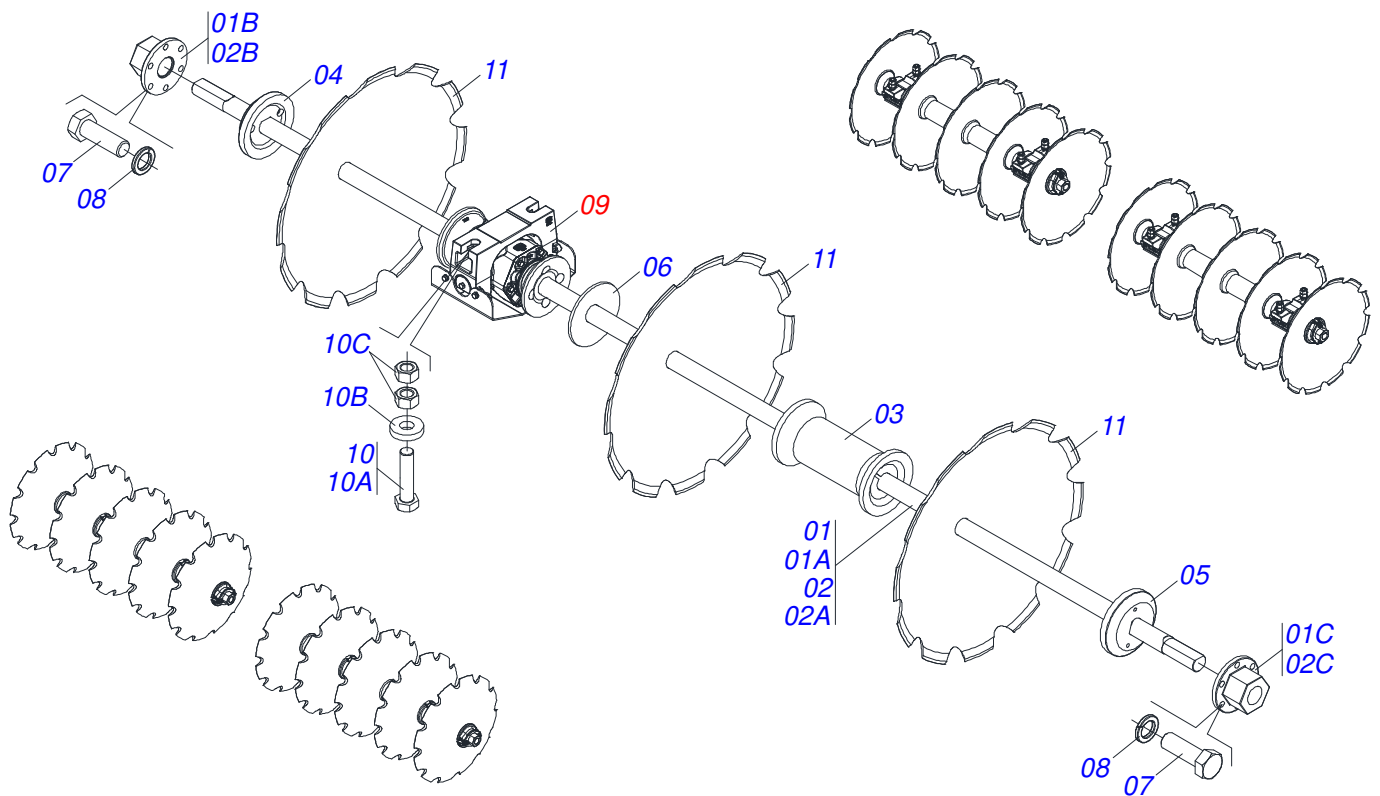


Item	Code	Description	See page	QT
01	0511060147	ROD ASSY		01
02	0511060148	ASSY CASE		01
03	0541010615	MOVABLE COVER		01
04	0502011586	PISTON		01
05	0502011799	TURNBUCKLE GUIDE		01
06	0503010704	2-357 N 3006-9B O'RING		01
07	0503010287	D-2500 SCRAPER RING		01
08	0503012497	RING (TEFLON)		02
09	0503012501	MOLYTHANE PACKING 2500-2500		01
10	0503012825	RING (TEFLON) CH 61100		03
11	0503012791	RUBBER RING		02
12	0511034337	CYLINDER REPAIR KIT (0501048683)		01

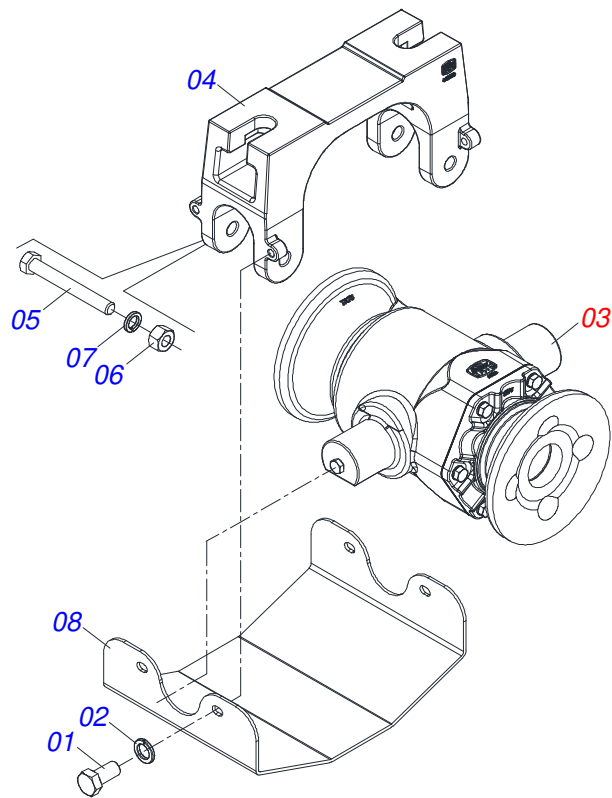




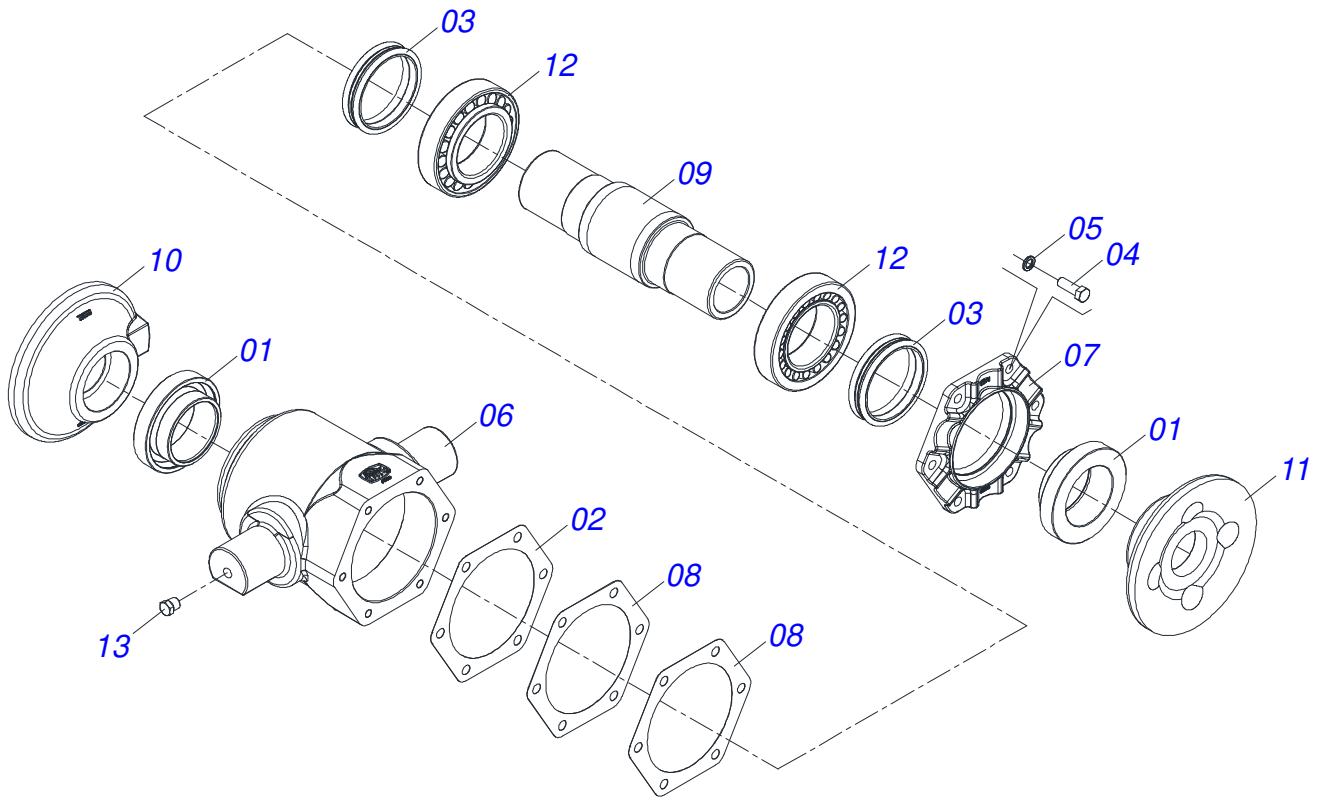
Item	Code	Description	See page	QT
01	0503011627	MALE QUICK COUPLER AGR 1/2 NPT		01
02	0503011882	MALE QUICK COUPLER CAP		01



Item	Code	Description	See page	10	20	22	24
01	0511050263	2.1/2 UNC X 2100 AXLE WITH NUTS		02	04	02	00
01A	0521013899	3450461 AXLE		01	01	01	00
01B	0502011659	3452378 AXLE NUT		01	01	01	00
01C	0502011660	3452387 AXLE NUT		01	01	01	00
02	0511050284	2.1/2 UNC X 2560 AXLE WITH NUTS		00	00	02	04
02A	0521013939	3450690 AXLE		00	00	01	01
02B	0502011659	3452378 AXLE NUT		00	00	01	01
02C	0502011660	3452387 AXLE NUT		00	00	01	01
03	0502011664	3454468 SPACER		04	08	10	12
04	0502011669	OUTER FLANGE		02	04	04	04
05	0502011670	INNER FLANGE		02	04	04	04
06	0521013900	3451204 CHOCK		04	08	08	08
07	0503011267	5/8 UNC X 1.1/2 C S G.5 ZN BOLT		04	08	08	08
08	0503010027	5/8 SPRING WASHER		04	08	08	08
09	0531041587	430 X 2.1/2 BEARING WITH PROTECTION 7 SUPPORT		04	08	08	08
10	0531040741	ASSY 1.1/4 UNC X 5 BOLT		08	16	16	16
10A	0503011347	1.1/4" X 5" BOLT		01	01	01	01
10B	0571010448	32,50 X 75 X 16 SLEEVE		01	01	01	01
10C	0501010087	1.1/4" NUT		02	02	02	02
11	0602048063	DR 36 X 9 C130AF04FR2.9/16 12REC		10	20	22	24
11.	0602048062	DR 36 X 12 C130AF04FR2.9/16 12REC		10	20	22	24



Item	Code	Description	See page	QT
01	0503010834	1/2 X 1 BOLT		04
02	0503010019	1/2" SPRING WASHER		04
03	0531052867	430 X 2.1/2 BEARING	8	01
04	0502013003	2.3/4 BEARING SUPPORT		01
05	0503011198	C3/4" X 6" SCREW		02
06	0503010014	3/4" HEX NUT		02
07	0503010023	3/4" SPRING WASHER		02
08	0501213896	BEARING COVER		01



Item	Code	Description	See page	QT
01	0502040119	SEAL RETAINER		02
02	0503035599	205 X 160,5 X 0,20 SEAL GASKET		01
03	0503030029	RETAINER LP JB-259		02
04	0503010920	1/2 UNC X 1.1/2 C S G.5 ZN BOLT		06
05	0503011440	SPRING WASHER		06
06	0502013002	BEARING HUB		01
07	0502013005	BEARING HUB LID		01
08	0503035600	205 X 160,5 X 0,40 SEAL GASKET		02
09	0502040039	AXLE		01
10	0502040165	INNER FLANGE		01
11	0502040164	OUTER FLANGE		01
12	0503010118	32218 BEARING		02
13	0503010856	OIL PLUG		02





***civemasa***

***Technical Publications | Elaboration and Revision***

LEONARDO JOSÉ DA SILVA SOUZA

[www.civemasa.com.br](http://www.civemasa.com.br)

