

**DISK HARROWS**

## **GVP MECHANIC - 24D**

**Code:** 0501093543

**Series:** S-0523

**Revision:** 00

**Revision Date:** JULHO/2023

# **PARTS CATALOGUE**


***CIVEMASA***

# PRODUCTS

<b>Code</b>	<b>Description</b>
0120010043	GVP 24X34X9 DR DMO MEC E 2.1/2 S-0523

## **ATTENTION: IMPORTANT**

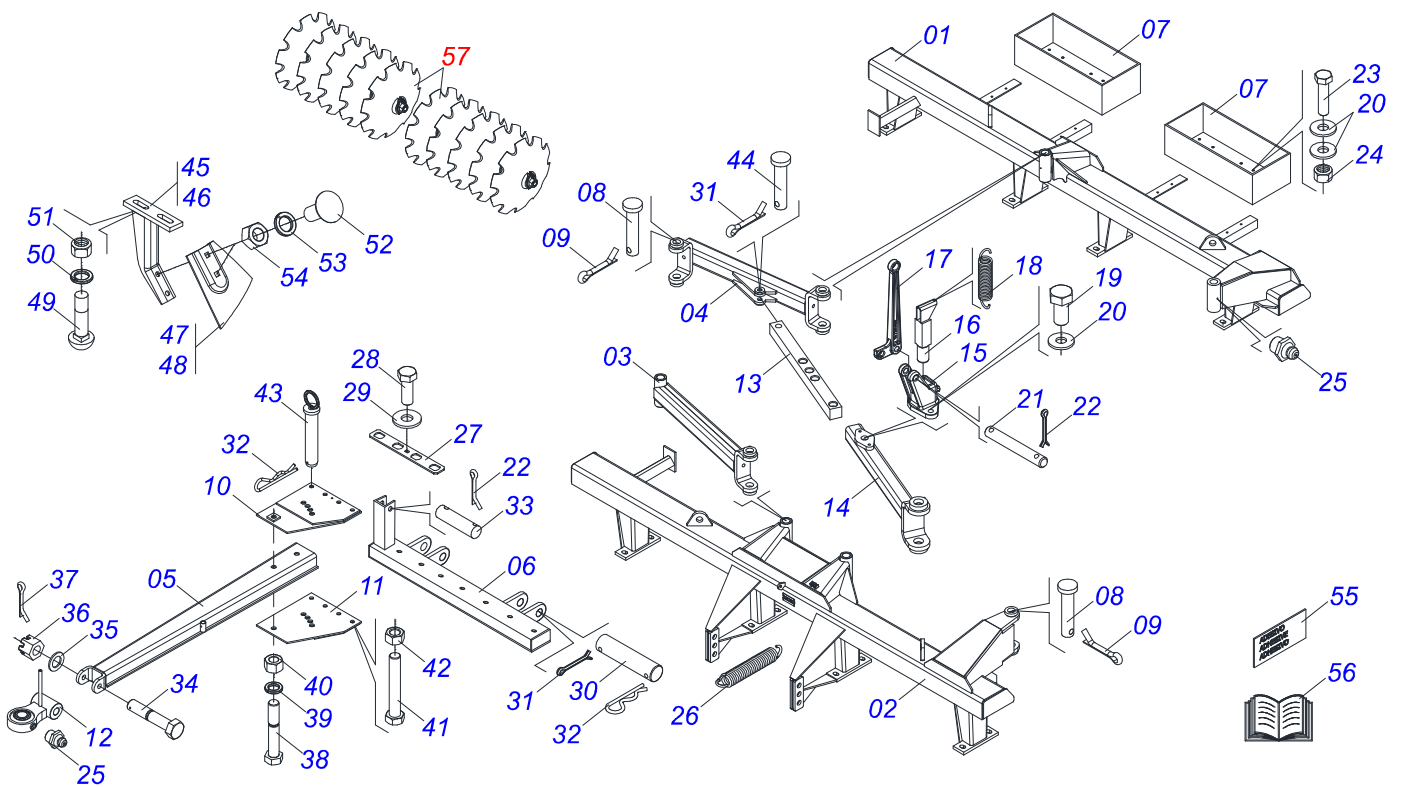
CIVEMASA reserves the right to improve and/or modify the technical features of its products, without obligation to do the same with those products already sold and without prior knowledge of the dealer or the customer. The photos are only illustrative.





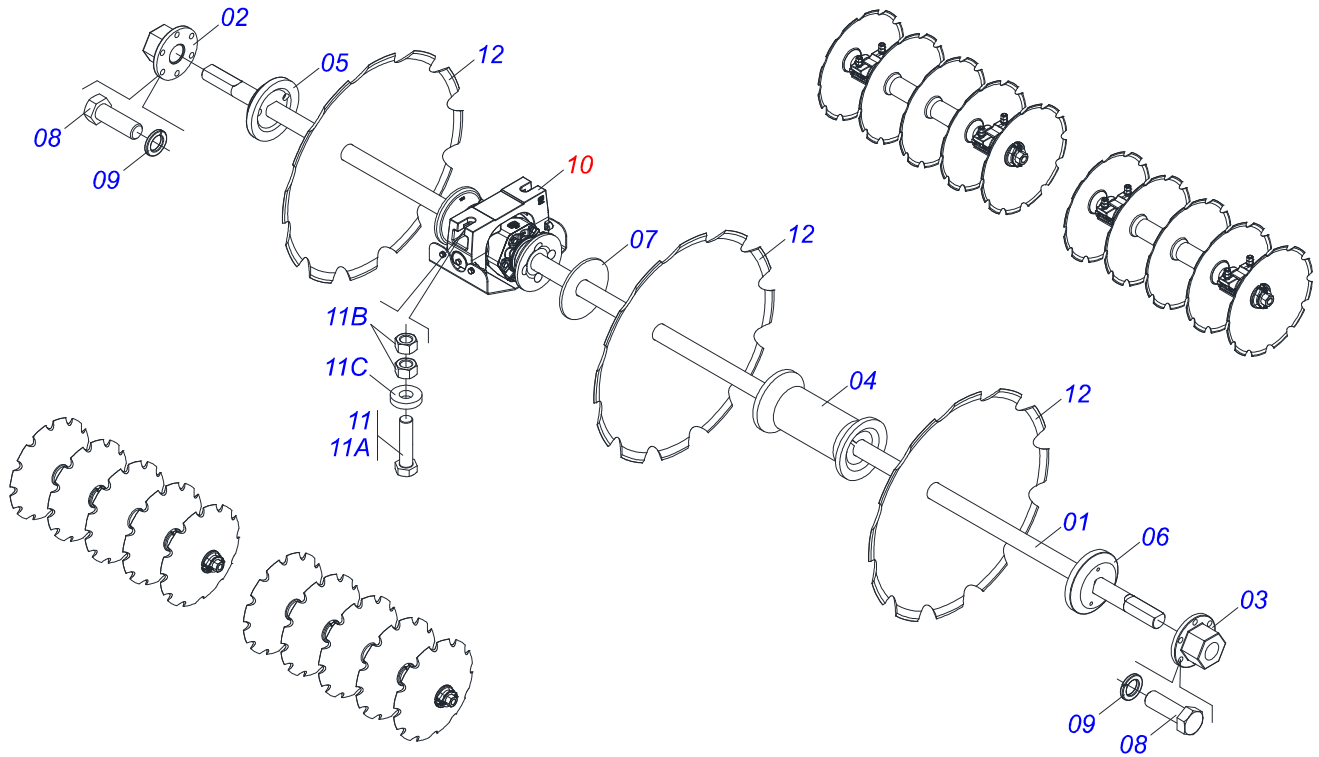
# INDEX

0909096794	FRAME ASSY	.....	1
0909096795	ASSY DISC GANG - 24D	.....	2
0531041587	430 X 2.1/2 BEARING WITH PROTECTION SUPPORT	.....	3
0531052867	430 X 2.1/2 BEARING	.....	4

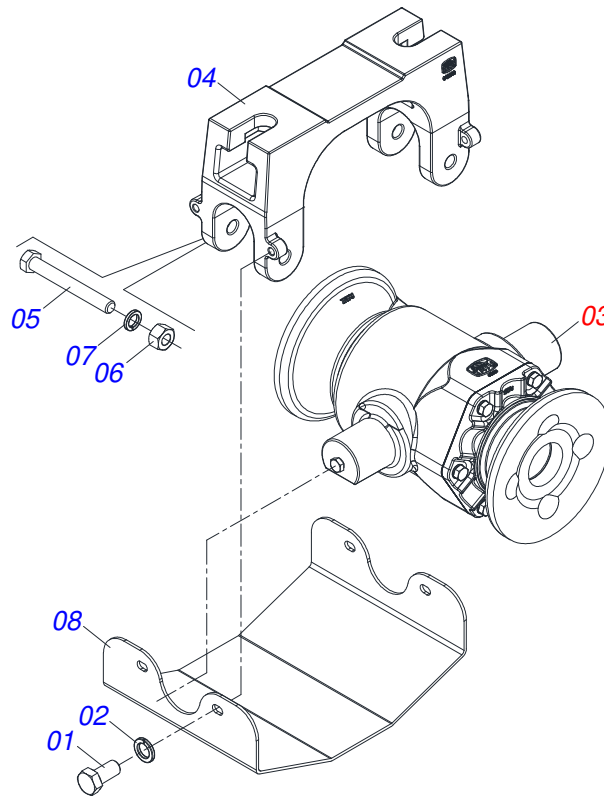


Item	Code	Description	See page	QT
01	0511064972	REAR FRAME	01	
02	0521060309	FRONT FRAME	01	
03	0521066309	FRONT ARTICULATED ARM	01	
04	0511060384	ARM (GNV)	01	
05	0511060161	AXLE ASSY	01	
06	0511060383	TRACTION BAR	01	
07	0511060170	WEIGHT BOX	02	
08	0511060145	PIN	05	
09	0503010074	3/8 X 0,15" COTTERPIN	05	
10	0511060171	PLATE HITCH	01	
11	0511060172	PLATE HITCH	01	
12	0521068888	TRACTOR HITCH BODY	01	
13	0521017194	EXTENSOR	01	
14	0511061548	BAR REGULAGEM	01	
15	0502011812	PINE GUIDE	01	
16	0502011808	TRAILER PIN	01	
17	0502011807	ROPE ARM	01	
18	0503031545	SPRING	01	
19	0501010161	1/2" X 1.1/4" BOLT	04	
20	0511017302	FLAT WASHER 13,50 X 32,50 X 3,0 ZN	12	
21	0521014889	PINE WITHOUT HEAD	01	
22	0503010362	1/8 X 1.1/4 COTTERPIN	02	
23	0503010920	1/2 UNC X 1.1/2 C S G.5 ZN BOLT	08	
24	0503010060	1/2 UNC G.5 ZN HEX NUT	08	
25	0503010002	1800 GREASE FITTING	06	
26	0503031511	SPRING	01	
27	0521013774	GVMF LOCK	01	
28	0501010108	5/8" X 1" BOLT	01	
29	0501012140	FLAT WASHER	01	
30	0521013704	HEADLESS CLEVIS PIN	02	
31	0503010010	1/4" X 2.1/2" COTTERPIN	03	

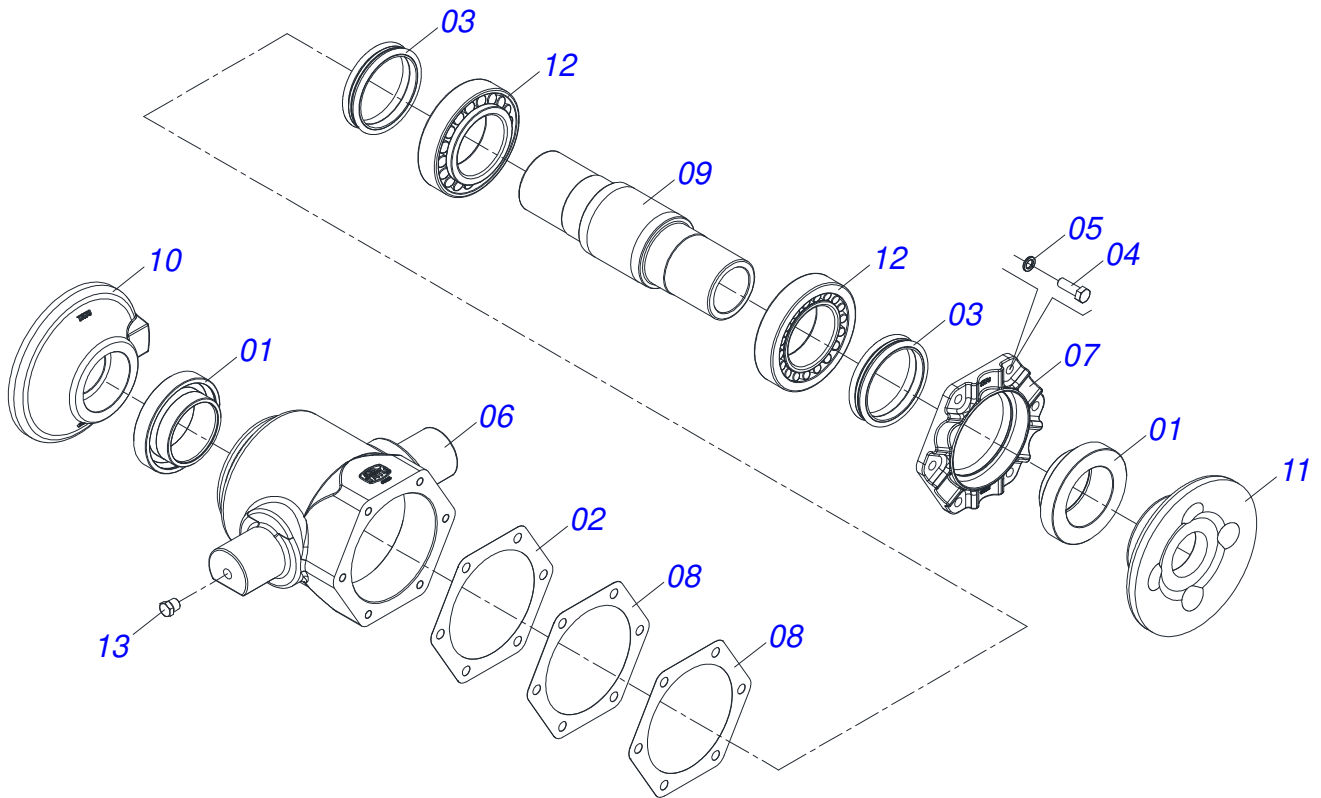
<b>Item</b>	<b>Code</b>	<b>Description</b>	<b>See page</b>	<b>QT</b>
32	0503031479	STAPLE		04
33	0521014140	HEADLESS CLEVIS PIN		01
34	0521013739	BOLT HARNESS		01
35	0501012916	FLAT WASHER 40 X 66 X 4,75 ZN		01
36	0502011592	CASTLE NUT		01
37	0503012213	1/4" COTTERPIN		01
38	0503012258	1-1/2" X 9" BOLT		01
39	0503010069	1.1/2" SPRING WASHER		01
40	0503012259	UNC1.1/2" ZIN 1K03155 NUT		01
41	0503012244	1-1/4" X 7-3/4" BOLT		04
42	0503012181	1.1/4" NUT		04
43	0511060146	PIN FIXER		01
44	0521013905	PIN		01
45	0511060304	FRONT SUPPORT		12
46	0511060305	REAR SUPPORT		12
47	0521013678	FRONT CLEANER		12
48	0521013679	REAR CLEANER		12
49	0503012180	FRENCH 3/4" X 2 BOLT		48
50	0503010023	3/4" SPRING WASHER		48
51	0503012183	SNC 3/4" ZIN 1K03097 NUT		48
52	0503012195	5/8" NUT		48
53	0503010027	5/8 SPRING WASHER		48
54	0503010013	5/8 NUT		48
55	0503033038	DANGER SIGN		02
56	0511032617	BAG WITH INSTRUCTION MANUAL		01
57	0909096795	ASSY DISC GANG - 24D	2	01



Item	Code	Description	See page	QT
01	0521013939	3450690 AXLE	04	
02	0502011659	3452378 AXLE NUT	04	
03	0502011660	3452387 AXLE NUT	04	
04	0502011664	3454468 SPACER	12	
05	0502011669	OUTER FLANGE	04	
06	0502011670	INNER FLANGE	04	
07	0521013900	3451204 CHOCK	08	
08	0503011267	5/8 UNC X 1.1/2 C S G.5 ZN BOLT	08	
09	0503010027	5/8 SPRING WASHER	08	
10	0531041587	430 X 2.1/2 BEARING WITH PROTECTION 3 SUPPORT	08	
11	0531040741	ASSY 1.1/4 UNC X 5 BOLT	16	
11A	0503011347	1.1/4" X 5" BOLT	01	
11B	0501010087	1.1/4" NUT	02	
11C	0571010448	32,50 X 75 X 16 SLEEVE	01	
12	0602046001	DR 34 X 9 C120AF04FR2.9/16 12REC	24	



Item	Code	Description	See page	QT
01	0503010834	1/2 X 1 BOLT		04
02	0503010019	1/2" SPRING WASHER		04
03	0531052867	430 X 2.1/2 BEARING	4	01
04	0502013003	2.3/4 BEARING SUPPORT		01
05	0503011198	C3/4" X 6" SCREW		02
06	0503010014	3/4" HEX NUT		02
07	0503010023	3/4" SPRING WASHER		02
08	0501213896	BEARING COVER		01



Item	Code	Description	See page	QT
01	0502040119	SEAL RETAINER		02
02	0503035599	205 X 160,5 X 0,20 SEAL GASKET		01
03	0503030029	RETAINER LP JB-259		02
04	0503010920	1/2 UNC X 1.1/2 C S G.5 ZN BOLT		06
05	0503011440	SPRING WASHER		06
06	0502013002	BEARING HUB		01
07	0502013005	BEARING HUB LID		01
08	0503035600	205 X 160,5 X 0,40 SEAL GASKET		02
09	0502040039	AXLE		01
10	0502040165	INNER FLANGE		01
11	0502040164	OUTER FLANGE		01
12	0503010118	32218 BEARING		02
13	0503010856	OIL PLUG		02





# ANNOTATION

Handwriting practice area consisting of multiple horizontal lines.





***civemasa***

**Technical Publications | Elaboration and Revision**

LUIZ CANDIDO

[www.civemasa.com.br](http://www.civemasa.com.br)

