

**REAR SCRAPER PULL TYPE**

**LTM 5000 S VEH**

**Code:** 0501093518  
**Series:** S-0518  
**Revision:** 00  
**Revision Date:** ABRIL/2023

# PARTS CATALOGUE

***CIVEMASA***

A solid orange horizontal bar located at the top left of the page.

# PRODUCTS

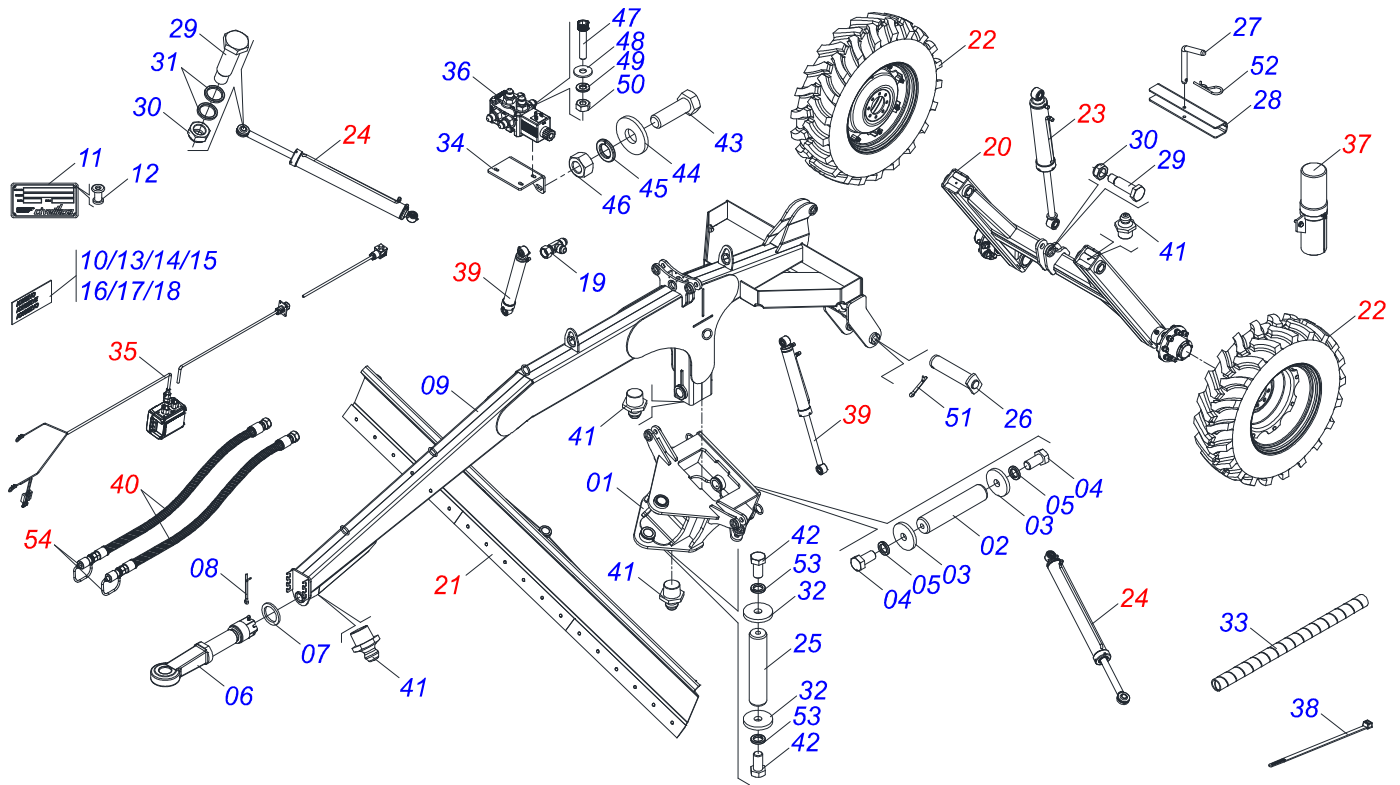
Code	Description
0121300009	LTM 5000 S VEH S-0518

## ATTENTION: IMPORTANT

CIVEMASA reserves the right to improve and/or modify the technical features of its products, without obligation to do the same with those products already sold and without prior knowledge of the dealer or the customer. The photos are only illustrative.

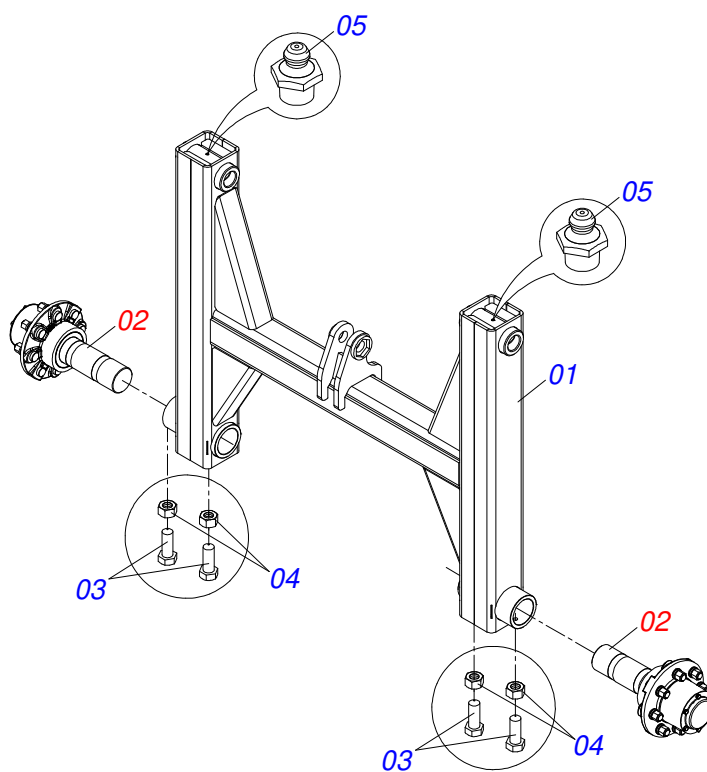
# INDEX

0909096701	ASSY FRAME	.....	1
0521045486	WHEELED WITHOUT TIRE	.....	2
0521045644	DOZER BLADE ASSY	.....	3
0511057177	WHEEL AND TIRE 14,9 X 28 8 CANVAS	.....	4
0521045491	HYDRAULIC CYLINDER 44,45 X 101,60 X 711 X 425	.....	5
0521045490	HYDRAULIC CYLINDER 50,80 X 101,60 X 1130 X 813	.....	6
0521051828	KIT ELECTRICAL	.....	7
0521051555	SOLENOID VALVE ASSY	.....	8
0521051699	MANUAL STORAGE TUBE ASSY	.....	9
0511058457	HYDRAULIC CYLINDER	.....	10
0521052865	HOSE KIT	.....	11

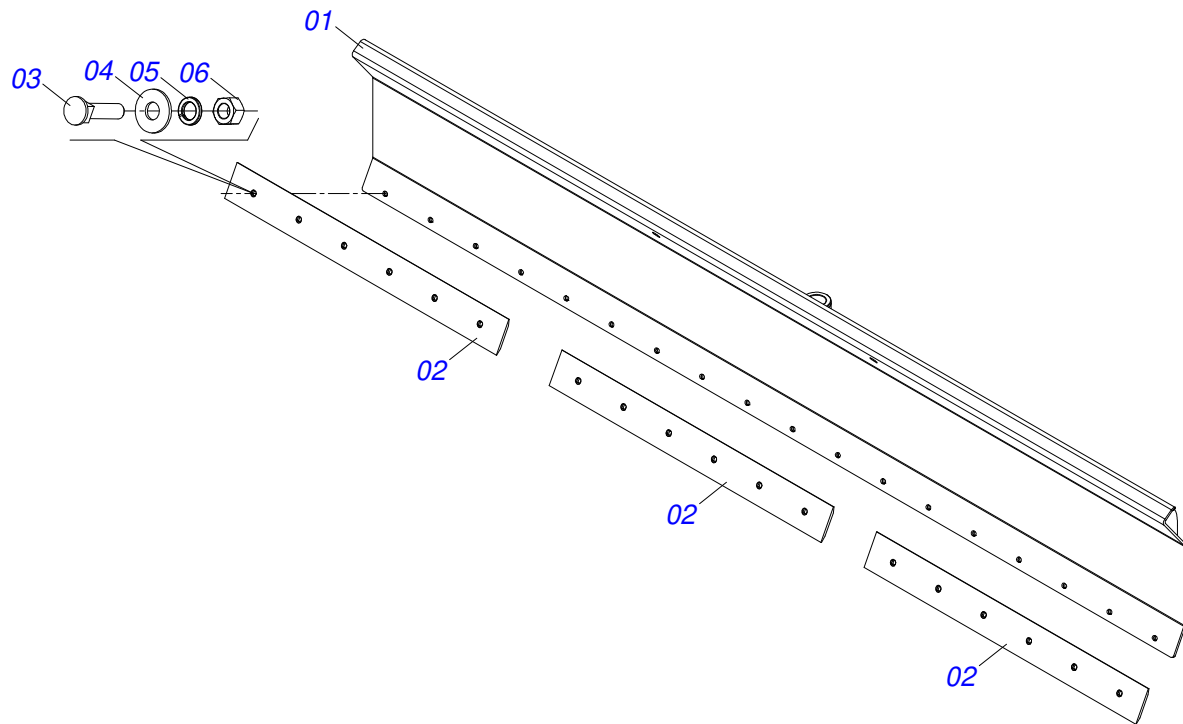


Item	Code	Description	See page	QT
01	0521065915	FIXER SUPPORT DOZER BLADE		01
02	0541011899	2.9" X 20" COUPLING SHAFT		01
03	0511013244	FLAT WASHER		02
04	0503011250	1" X 2" BOLT		02
05	0503010012	1" SPRING WASHER		02
06	0503061649	PONTEIRA HITCH SILPA		01
07	0511019776	FLAT WASHER		01
08	0503012213	1/4" COTTERPIN		01
09	0521066181	FRAME		01
10	0503033647	APPROVED BADGE		01
11	0503034004	ALUMINUM IDENTIFICATION LABEL		01
12	0503010001	3.2 X 5.5 RIVET		04
13	0503034233	ADHESIVE CIVEMASA LOGO 1000 X 270		01
14	0503034234	ADHESIVE LTM 5000 S 1000 X 270		01
15	0503034231	ADHESIVE CIVEMASA LOGO 580 X 130		02
16	0503034232	ADHESIVE LTM 5000 S 580 X 130		02
17	0503031428	READ MANUAL DECAL		01
18	0503031827	LUBRICATE AND RETIGHTEN DAILY DECAL		01
19	0503011968	3/4" 8R6X-S T ADAPTER WITH SWIVEL NUT		04
20	0521045486	WHEELED WITHOUT TIRE	2	01
21	0521045644	DOZER BLADE ASSY	3	01
22	0511057177	WHEEL AND TIRE 14,9 X 28 8 CANVAS	4	02
23	0521045491	HYDRAULIC CYLINDER 44,45 X 101,60 X 711 X 425	5	01
24	0521045490	HYDRAULIC CYLINDER 50,80 X 101,60 X 1130 X 813	6	02
25	0541011899	2.9" X 20" COUPLING SHAFT		01
26	0521063252	50,85 X 332 AXLE		02
27	0541016844	FIXER LOCK		01
28	0571018950	LOCK TRANSPORT 430 X 47		01
29	0571018948	1.1/4 UNF X 112 BOLT		10
30	0503010044	1-1/4" SELF LOCKING NUT		10
31	0571019268	FLAT WASHER 38,50 X 50 X 6,30		04

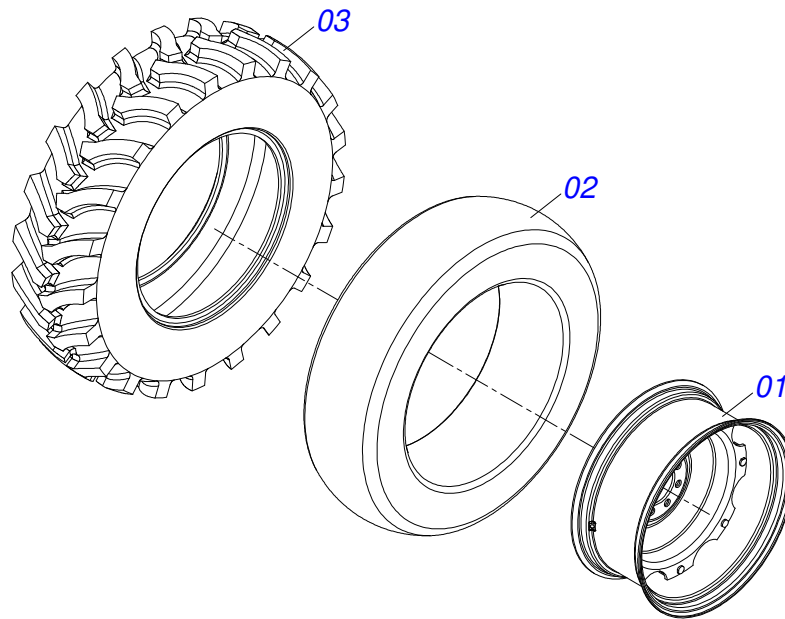
<b>Item</b>	<b>Code</b>	<b>Description</b>	<b>See page</b>	<b>QT</b>
32	0511013244	FLAT WASHER		02
33	0501082188	SPRING PLASTIC PROTECTION HOSE 3/8 X 6000		01
34	0581015048	VALVE SUPPORT		01
35	0521051828	KIT ELECTRICAL	7	01
36	0521051555	SOLENOID VALVE ASSY	8	01
37	0521051699	MANUAL STORAGE TUBE ASSY	9	01
38	0503013100	NYLON CLAMP		10
39	0511058457	HYDRAULIC CYLINDER	10	02
40	0521052865	HOSE KIT	11	01
41	0503010002	1800 GREASE FITTING		06
42	0503011250	1" X 2" BOLT		02
43	0503011236	3/8" X 2" BOLT		02
44	0501010984	10,50 X 27 X 3,00 FLAT WASHER		02
45	0503010025	3/8 SPRING WASHER		02
46	0503010026	3/8" NUT		02
47	0503818141	1/4" X 2" BOLT		03
48	0503010305	FLAT WASHER		03
49	0503010143	1/4" SPRING WASHER		03
50	0503010144	1/4" NUT		03
51	0503010073	3/8 X 3-1/2 COTTERPIN		02
52	0503030285	HITCH PIN CLIP		01
53	0503010012	1" SPRING WASHER		02
54	0501053834	MALE QUICK COUPLER		04



Item	Code	Description	See page	QT
01	0521065912	WHEEL LTA		01
02	0511050710	WHEELED WITHOUT TIRE (430)		02
03	0571018726	BOLT 5/8 UNC X 1.3/4 CS		04
04	0503010013	5/8 NUT		04
05	0503010002	1800 GREASE FITTING		02

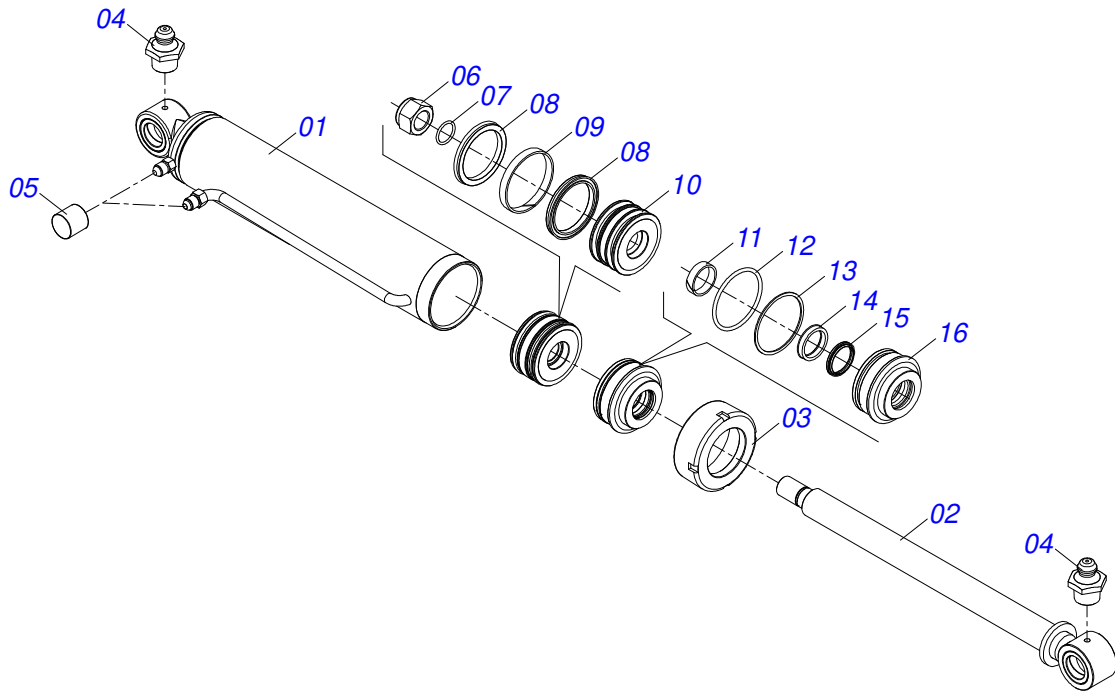


Item	Code	Description	See page	QT
01	0521065905	DOZER BLADE 4480 X 722		01
02	0571018949	SCRAPER 1500 X 6 X 1/2		03
03	0501012240	BOLT		18
04	0571010265	16.5 X 40 X 3 FLAT WASHER		18
05	0503010027	5/8 SPRING WASHER		18
06	0503010013	5/8 NUT		18

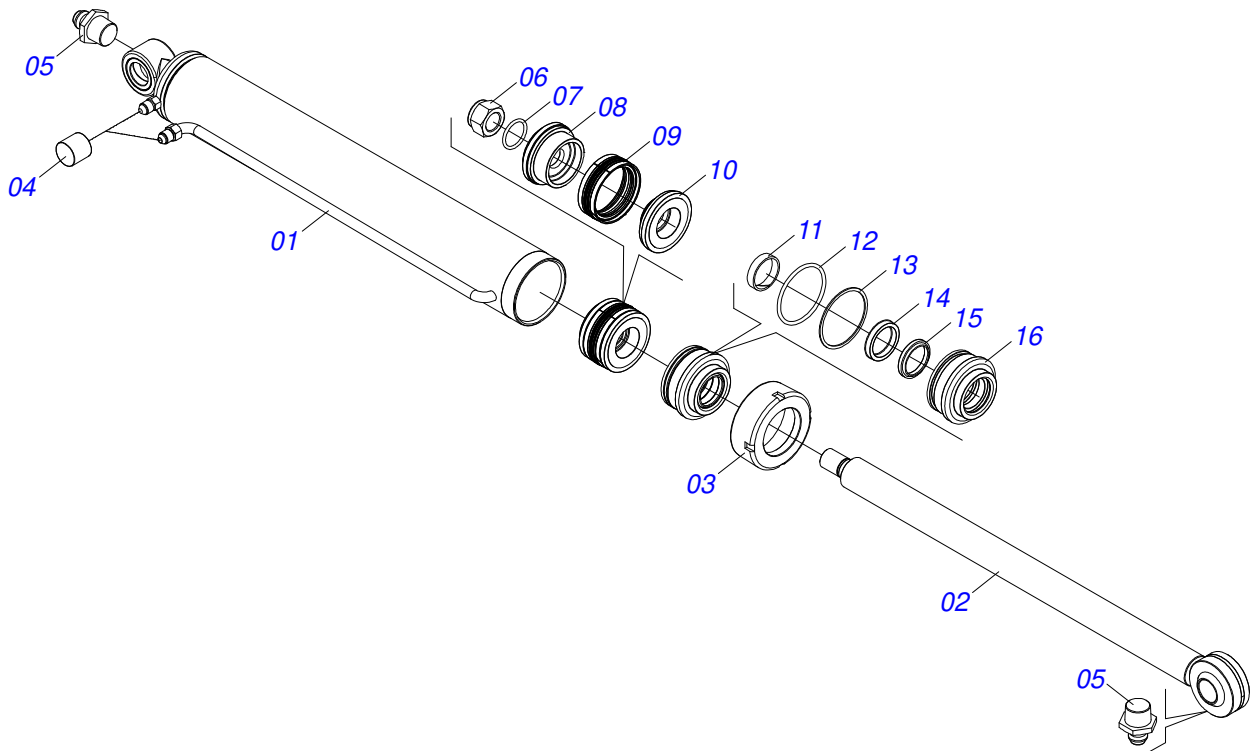


Item	Code	Description	See page	QT
01	0511058891	WHEEL W-12 X 28 (LTA)		01
02	0503011317	INNER TIRE		01
03	0503011316	TIRE 8		01

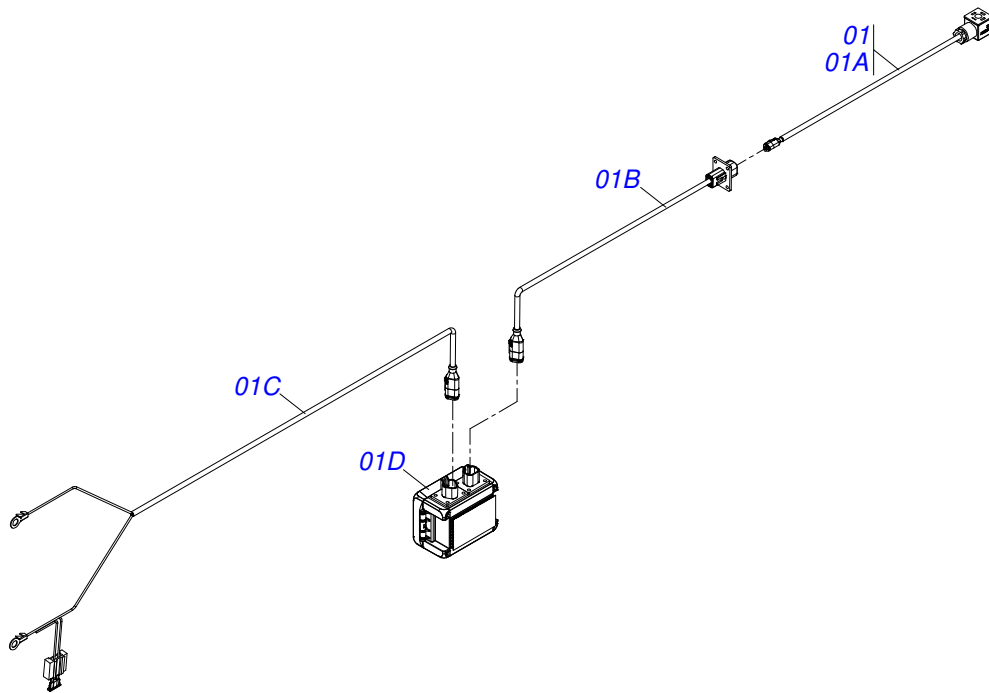




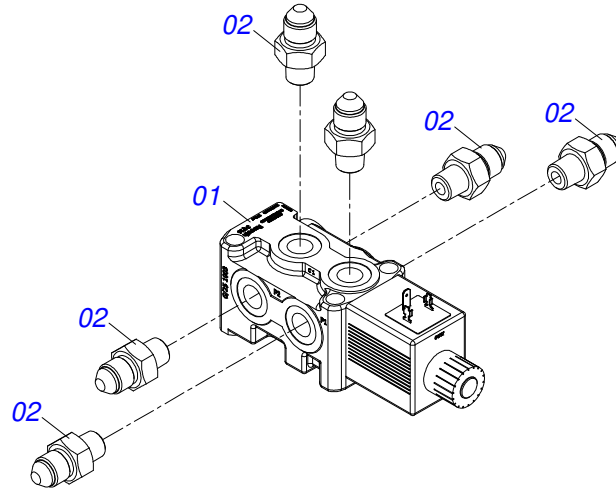
Item	Code	Description	See page	QT
01	0521065925	CASE 101,60 X 532		01
02	0521065969	TURNBUCLE 44,45 X 602		01
03	0502010017	4" HEAD		01
04	0503010002	1800 GREASE FITTING		02
05	0503030385	CYLINDER PLUG N-002		02
06	0503010817	1.1/4" SELF LOCKING NUT		01
07	0503010345	2-218 N 3006-9B O'RING		01
08	0503010043	PACKING 3750-3250		02
09	0503010994	W2-4000-500 PK RING G.E		01
10	0571015240	PISTON		01
11	0503010949	W2-2000-500 PK RING G.E		01
12	0503010338	2-342 N 3006-9B O'RING		01
13	0503011061	8-342 BACK-UP RING		01
14	0503010990	GASKET		01
15	0503010761	D-1750 SCRAPER RING		01
16	0571015239	RING SUPPORT		01



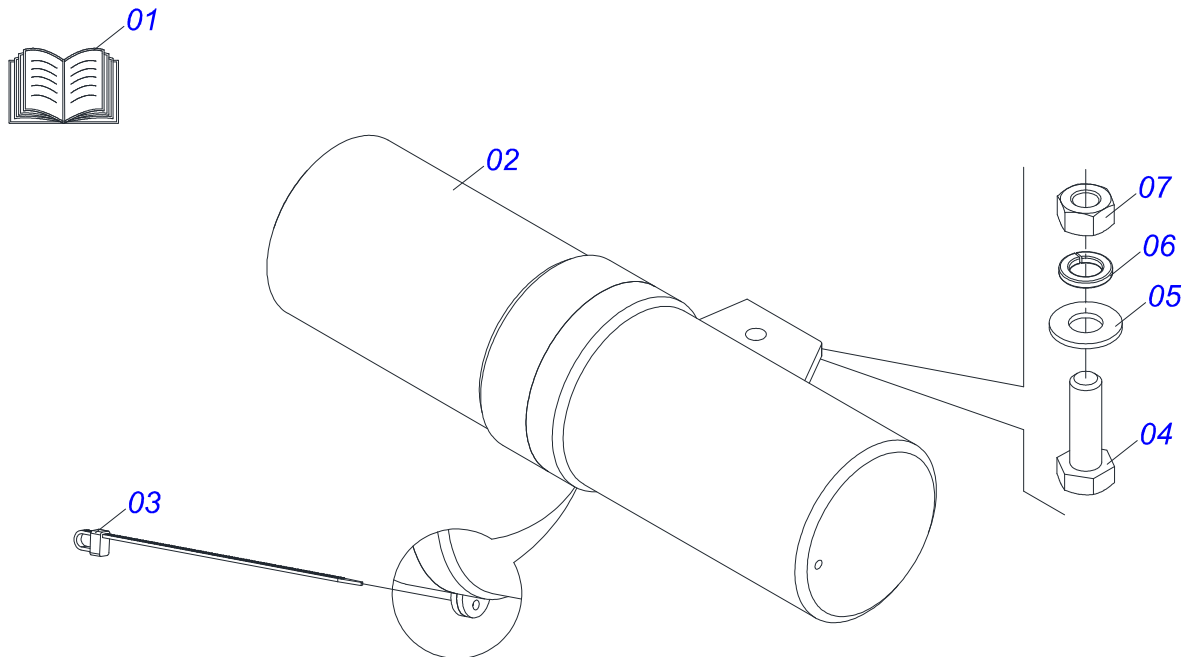
Item	Code	Description	See page	QT
01	0521065923	CASE 101,6 X 930		01
02	0521065924	TURNBUCLE 63,50 X 1004		01
03	0502010017	4" HEAD		01
04	0503030385	CYLINDER PLUG N-002		02
05	0503010002	1800 GREASE FITTING		02
06	0503010817	1.1/4" SELF LOCKING NUT		01
07	0503010345	2-218 N 3006-9B O'RING		01
08	0561016387	PISTON BODY		01
09	0503015633	SELEMASTER SEALING		01
10	0561016389	PISTON BODY		01
11	0503015634	RING SLYDRING		01
12	0503010338	2-342 N 3006-9B O'RING		01
13	0503011061	8-342 BACK-UP RING		01
14	0503015635	U-CUP SEAL		01
15	0503015636	SCRAPER SEAL		01
16	0502012642	SUPPORT OF THE RINGS		01



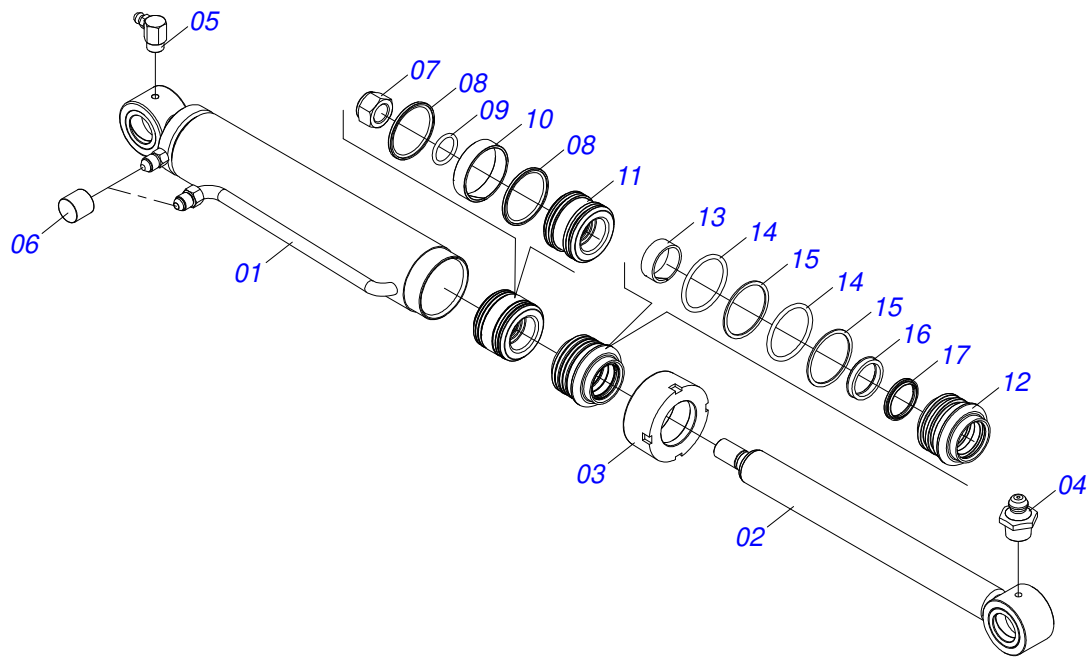
Item	Code	Description	See page	QT
01	0503062695	KIT ELECTRICAL		01
01A	0503034553	CABLE EASEL		01
01B	0503034551	2000 CABLE		01
01C	0503034550	1700 CABLE		01
01D	0503034554	CONTROL PANEL		01
02	0503030804	ADHESIVE LABEL		01
03	0503034533	ADHESIVE LABEL		01



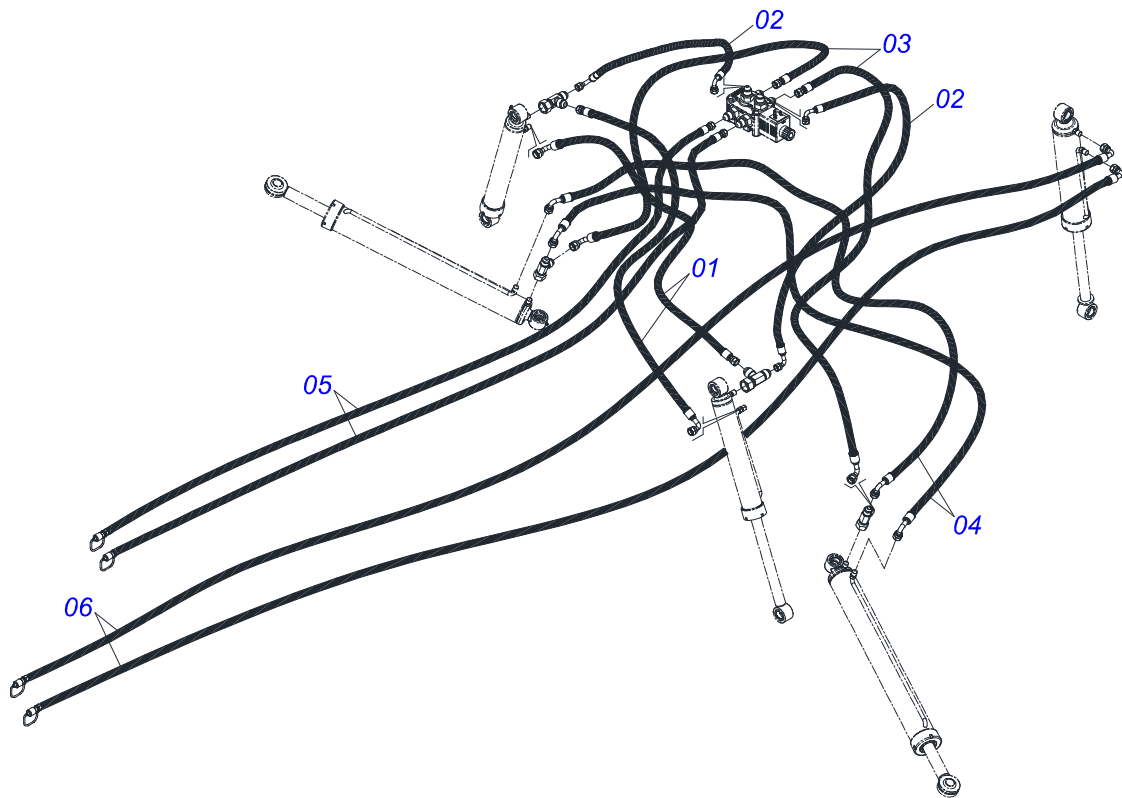
Item	Code	Description	See page	QT
01	0503062637	RIGHT VALVE		01
02	0571013798	3/4" UNF X 3/8 NPT NIPPLE		06



Item	Code	Description	See page	QT
01	0511030747	PLASTIC COVER WITH INSTRUCTIONS MANUAL		01
02	0503060100	INSTRUCTIONS MANUAL CANISTER		01
03	0503010267	NYLON CLAMP		01
04	0503010363	BOLT 5/16 UNC X 1 C S G.2 ZN		01
05	0501010694	FLAT WASHER		01
06	0503010179	LOCK WASHER 5/16 ZN 1K01528		01
07	0503010337	5/16" NUT		01



Item	Code	Description	See page	QT
01	0511063212	3" X 23" CYLINDER CASE		01
02	0501068711	1.7" X 22" TURNBUCLE		01
03	0502011899	MOBILE COVER		01
04	0503010002	1800 GREASE FITTING		01
05	0503010004	1890 GREASE FITTING		01
06	0503030385	CYLINDER PLUG N-002		02
07	0503010063	1" SELF-ALIGNING NUT		01
08	0503018138	RING BS		02
09	0503010042	2-214 N 3006-9B O-RING		01
10	0503018140	RING GUIDE		01
11	0581010304	PISTON		01
12	0581010301	RING SUPPORT		01
13	0503017938	RING GUIDE		01
14	0503010343	2-334 N 3006-9B O-RING		02
15	0503011059	8-334 BACK-UP RING		02
16	0503017937	GASKET		01
17	0503010761	D-1750 SCRAPER RING		01



Item	Code	Description	See page	QT
01	0501082041	3/8 X 500 TR-TC HOSE		02
02	0501080760	3/8" X 500 TC-TC HOSE		02
03	0501080402	HOSE 3/8 X 1700 TR-TC		02
04	0501080514	3/8 X 1700 TC-TC HOSE		02
05	0501080420	3/8" X 220" TR-TM HOSE ASSY		02
06	0501080477	HOSE 3/8 X 7012 TC-TM		02







***civemasa***

**Technical Publications | Elaboration and Revision**

ALESSANDRA PATRICIA KAWAHARA CARRILI

[www.civemasa.com.br](http://www.civemasa.com.br)

