

FURROWER

SATPC - 2L/2H/DC/270L

Code: 0501093516
Series: S-0306
Revision: 00
Revision Date: ABRIL/2023

PARTS CATALOGUE

CIVEMASA

A solid orange rectangular bar is positioned at the top left of the page, above the "PRODUCTS" heading.

PRODUCTS

Code	Description
0120850041	SATPC 2L 2H DC 270L 61790019
0120850041C	SATPC 2L 2H DC 270L 61790019 EXP S-0306

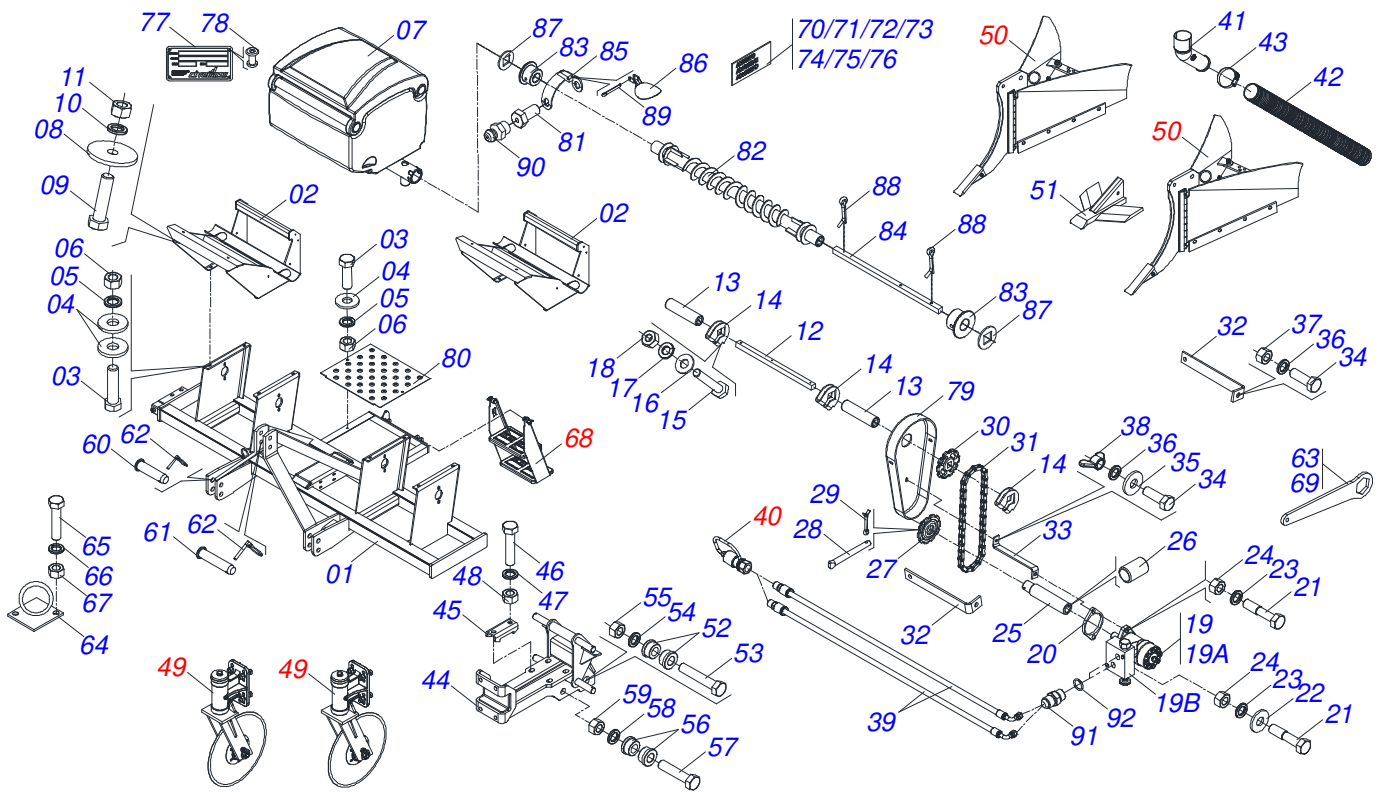
ATTENTION: IMPORTANT

CIVEMASA reserves the right to improve and/or modify the technical features of its products, without obligation to do the same with those products already sold and without prior knowledge of the dealer or the customer. The photos are only illustrative.



INDEX

0909094432	ASSY FRAME	1
0501053834	MALE QUICK COUPLER	2
0511045044	20" BLADE DISC ASSY	3
0511045864	LIGHT FURROWER ARM	4
0501057647	LADDER ASSY	5

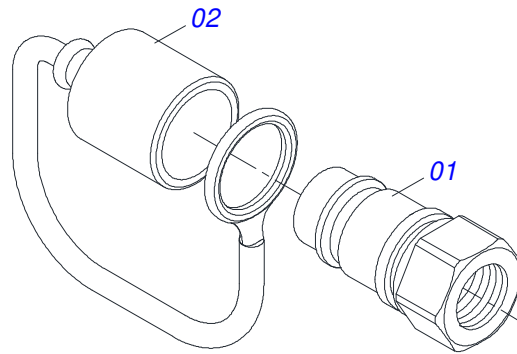


Item	Code	Description	See page	QT
01	0511067623	FRAME	01	01
02	0511067625	FERTILIZER BEAM SUPPORT	02	02
03	0503010849	3/8" X 1-1/2" BOLT	08	08
04	0501010984	10,50 X 27 X 3,00 FLAT WASHER	16	16
05	0503010025	3/8 SPRING WASHER	08	08
06	0503010026	3/8" NUT	08	08
07	0503061599	BEAN FERTILIZER ASSY	02	02
08	0501010145	FLAT WASHER	04	04
09	0503010740	BOLT 1/2 UNC X 2 CS G.5 ZN	04	04
10	0503010019	1/2" SPRING WASHER	04	04
11	0503010060	1/2 UNC G.5 ZN HEX NUT	04	04
12	0511011539	3/4" SQUARE SHAFT	01	01
13	1902012007	GLOVE WITH SQUARE HOLE 19.3/19.5	02	02
14	0521010691	AXLE FASTENER	03	03
15	0503010373	SCREW 1/4 UNC X 2 CS G.2 ZN	03	03
16	0511017303	FLAT WASHER	03	03
17	0503010143	1/4" SPRING WASHER	03	03
18	0503010144	1/4" NUT	03	03
19	0503012829	VALVE HYDRAULIC MOTOR ASSY	01	01
19A	0503014364	MOTOR WITH CYLINDER AXLE	01	01
19B	0503014365	VALVE	01	01
20	0541019115	HYDRAULIC MOTOR FLANGE	01	01
21	0503011172	BOLT 1/2 UNC X 2.1/2 C S G.5 ZN	02	02
22	0511017302	FLAT WASHER 13,50 X 32,50 X 3,0 ZN	01	01
23	0503010019	1/2" SPRING WASHER	02	02
24	0503010060	1/2 UNC G.5 ZN HEX NUT	02	02
25	0561016114	HIDRAULIC MOTOR AXLE	01	01
26	0503011807	SCREW M8 X 1,25X10	02	02
27	0502011317	10Z P 1.2" RH 1.3/8" GEAR	01	01
28	0521010530	JUNCTION AXLE 6,80 X 60	01	01
29	0503010140	1/8" X 3/4" COTTERPIN	01	01

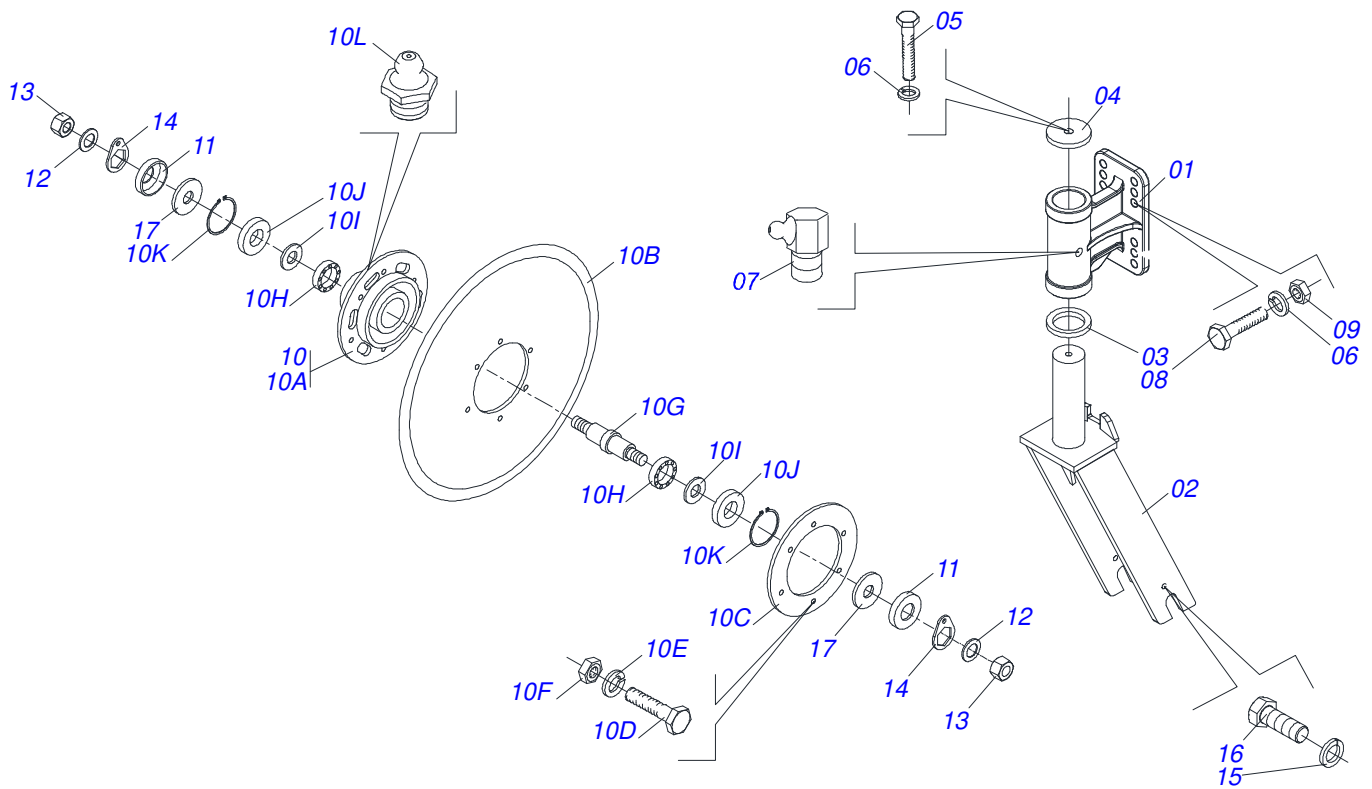
ASSY FRAME

Item	Code	Description	See page	QT
30	0502011318	10Z GEAR		01
31	0503013996	2050 CHAIN X 28 LINK + REDUCTION		01
32	0541019406	CHAIN CAP UPPER SUPPORT		02
33	0541019404	CHAIN CAP LOWER SUPPORT		01
34	0503011087	3/8" X 1" BOLT		05
35	0501010984	10,50 X 27 X 3,00 FLAT WASHER		03
36	0503010025	3/8 SPRING WASHER		05
37	0503010026	3/8" NUT		02
38	0503010209	3/8" UNC BUTTERFLY NUT		03
39	0501080097	HOSE 1/2 X 2500 TC-TM		02
40	0501053834	MALE QUICK COUPLER	2	02
41	0503031050	CURVED CONDUCTOR		04
42	0521015491	2" X 1200 HOSE		04
43	0503010246	CLAMP		04
44	0511067624	MOBILE FRAME		02
45	0551011189	FIXER MOBILE FRAME		04
46	0501011545	3/4" X 6-1/2" BOLT		08
47	0503010023	3/4" SPRING WASHER		08
48	0503010014	3/4" HEX NUT		08
49	0511045044	20" BLADE DISC ASSY	3	02
50	0511045864	LIGHT FURROWER ARM	4	02
51	0511067840	FURROWER TIP		02
52	0551011192	25,80 X 50,80 X 26 SLEEVE		04
53	0501010392	1" X 5" BOLT		02
54	0503010012	1" SPRING WASHER		02
55	0501010059	1.5/8 NUT		02
56	0551011191	19,84 X 38,10 X 26 SLEEVE		04
57	0503011328	3/4" X 4" BOLT		02
58	0503010023	3/4" SPRING WASHER		02
59	0503010014	3/4" HEX NUT		02
60	0521010595	1.1" X 4.3" COUPLING SHAFT		02
61	0521010579	COUPLING SHAFT		01
62	0503030085	LOCK PIN		03
63	0521012199	1.6" CABLE FLAT WRENCH		01
64	0511062800	HOSE ASSY FIZER		01
65	0503010371	5/16" X 1" BOLT		02
66	0503010179	LOCK WASHER 5/16 ZN 1K01528		02
67	0503010337	5/16" NUT		02
68	0501057647	LADDER ASSY	5	01
69	0521012126	1.3" CABLE FLAT WRENCH HEX		01
70	0503032930	ADHESIVE LABEL DANGER		01
71	0503033038	DANGER SIGN		01
72	0503033024	SATPC EMBLEM		01
73	0503031428	READ MANUAL DECAL		01
74	0503031827	LUBRICATE AND RETIGHTEN DAILY DECAL		01
75	0503033237	ADHESIVE LABEL		02
76	0503031739	ADHESIVE LABEL		01
77	0503034004	ALUMINUM IDENTIFICATION LABEL		01
78	0503010001	3.2 X 5.5 RIVET		04
79	0503032927	CHAIN CAP BLACK		01
80	0541018908	PLATFORM BODY		01
81	0541014215	BEARING BOLT		08
82	0511065979	SCREW THEAD		02
83	0551011421	SCREW THEAD BEARING		04
84	0541014214	SQUARE SHAFT		02
85	0511067781	SOCKET COVER SUPPORT		04
86	0551013391	COVER SOCKET		04
87	0501010637	FLAT WASHER		04
88	0503010571	1/4" X 1.1/2 COTTERPIN		04

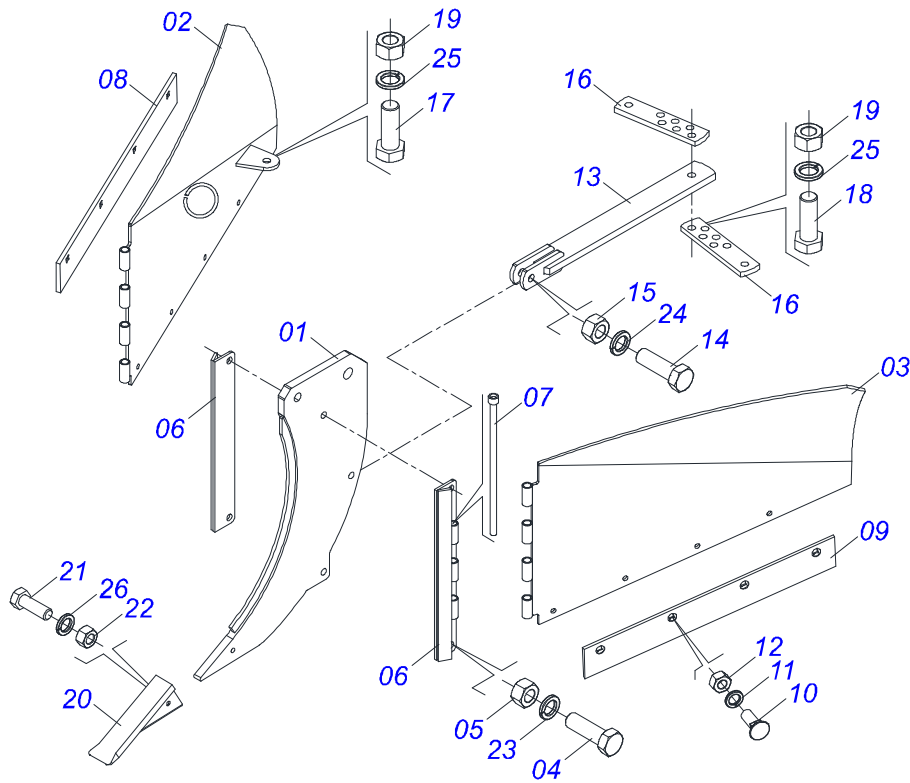
Item	Code	Description	See page	QT
89	0503010362	1/8 X 1.1/4 COTTERPIN		04
90	0503010691	1/4" GREASE FITTING		04
91	0501010590	NIPPLE		02
92	0503010045	O'RING		02



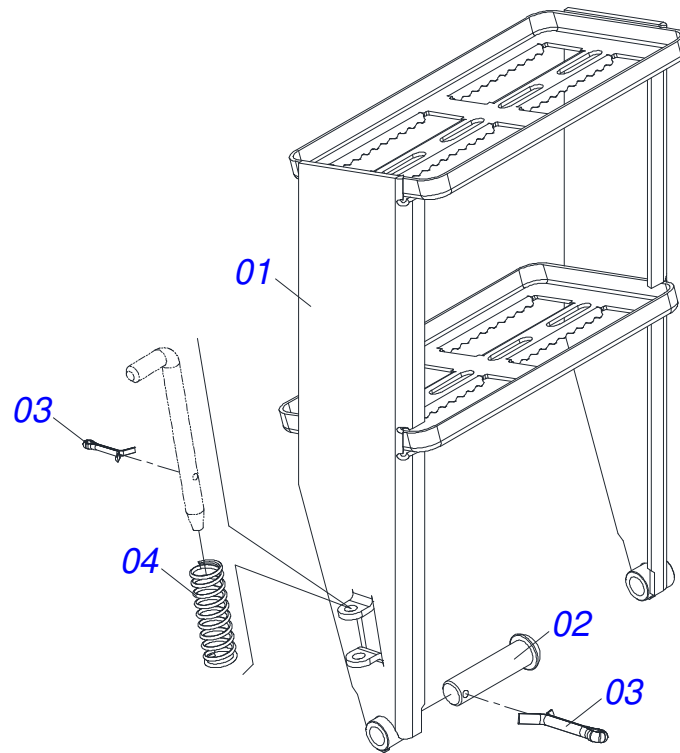
Item	Code	Description	See page	QT
01	0503011627	MALE QUICK COUPLER AGR 1/2 NPT		01
02	0503011882	MALE QUICK COUPLER CAP		01



Item	Code	Description	See page	QT
01	0502012370	WITH BLADE DISC SUPPORT	01	
02	0511067626	BLADE DISC FORK	01	
03	0541018869	FLAT WASHER	01	
04	0541018868	FLAT WASHER	01	
05	0501010098	3/4" UNC BOLT	01	
06	0503010023	3/4" SPRING WASHER	05	
07	0503010004	1890 GREASE FITTING	01	
08	0503010901	3/4UNC 3.1/2 BOLT	04	
09	0503010014	3/4" HEX NUT	04	
10	0501057077	20" BLADE DISC ASSY	01	
10A	0502011562	DISC BLADE HUB	01	
10B	0603027851	20" X 0.2" FLAT PLAIN DISC	01	
10C	0502020641	BLADE DISC FLANGE	01	
10D	0503010358	5/16" X 5/8" BOLT	06	
10E	0503011444	SPRING WASHER	06	
10F	0503010337	5/16" NUT	06	
10G	0551011186	BLADE DISC AXLE	01	
10H	0503011784	6206 DDU C3 ROLLER BEARING	02	
10I	0503030832	FLAT WASHER	02	
10J	0503012417	SEAL	02	
10K	0503011800	SEAL RING	02	
10L	0503010691	1/4" GREASE FITTING	01	
11	0551011188	BLADE DISC DUST CLOAK	02	
12	0501011445	FLAT WASHER	02	
13	0501010059	1.5/8 NUT	02	
14	0511067629	NUT LOCK	02	
15	0503010019	1/2" SPRING WASHER	02	
16	0501010155	1/2" X 1" BOLT	02	
17	0551011187	AXLE WASHER BLADE DISC	02	



Item	Code	Description	See page	QT
01	0511068582	TURNBUCLE		01
02	0511067634	RIGHT WING		01
03	0511067635	LEFT WING		01
04	0501010100	SCREW 5/8 UNC X 2 CS G.5 ZN		02
05	0503010013	5/8 NUT		02
06	0511068583	GROOVE WING FIXER		02
07	0511068584	AXIS 14.20 X 360		02
08	0551011199	RIGHT SCRAPER		01
09	0551011200	LEFT SCRAPER		01
10	0503011426	7/16" X 1-1/4" BOLT		08
11	0503011446	SPRING WASHER		08
12	0503010244	7/16" NUT		08
13	0511068585	LIGHT UNIVERSAL ROD RABBIT		01
14	0503010233	5/8" X 2-1/2" BOLT		01
15	0503010013	5/8 NUT		01
16	0551011198	ADJUSTMENT BAR		02
17	0503010232	5/8" X 1.3/4" BOLT		02
18	0503010233	5/8" X 2-1/2" BOLT		01
19	0503010013	5/8 NUT		03
20	0511067843	POINT SUBSOILER		01
21	0503010849	3/8" X 1-1/2" BOLT		01
22	0503010026	3/8" NUT		01
23	0503011445	SPRING WASHER		02
24	0503011445	SPRING WASHER		01
25	0503011445	SPRING WASHER		03
26	0503011443	3/8" SPRING WASHER		01



Item	Code	Description	See page	QT
01	0501069281	RIGHT LADDER		01
02	0521010542	COUPLING SHAFT		02
03	0503010257	1/8" X 1" COTTERPIN		03
04	0503030190	0.5" X 1.6" X 0.05" SPRING		01



civemasa

Technical Publications | Elaboration and Revision

LUIZ CANDIDO

www.civemasa.com.br

