

SUBSOILER PLOUGH

STAC P 500 MIGDOLUS - 1000L

Code: 0501093515

Series: S-0716

Revision: 00

Revision Date: ABRIL/2023

PARTS CATALOGUE

CIVEMASA

A solid orange horizontal bar at the top left of the page.

PRODUCTS

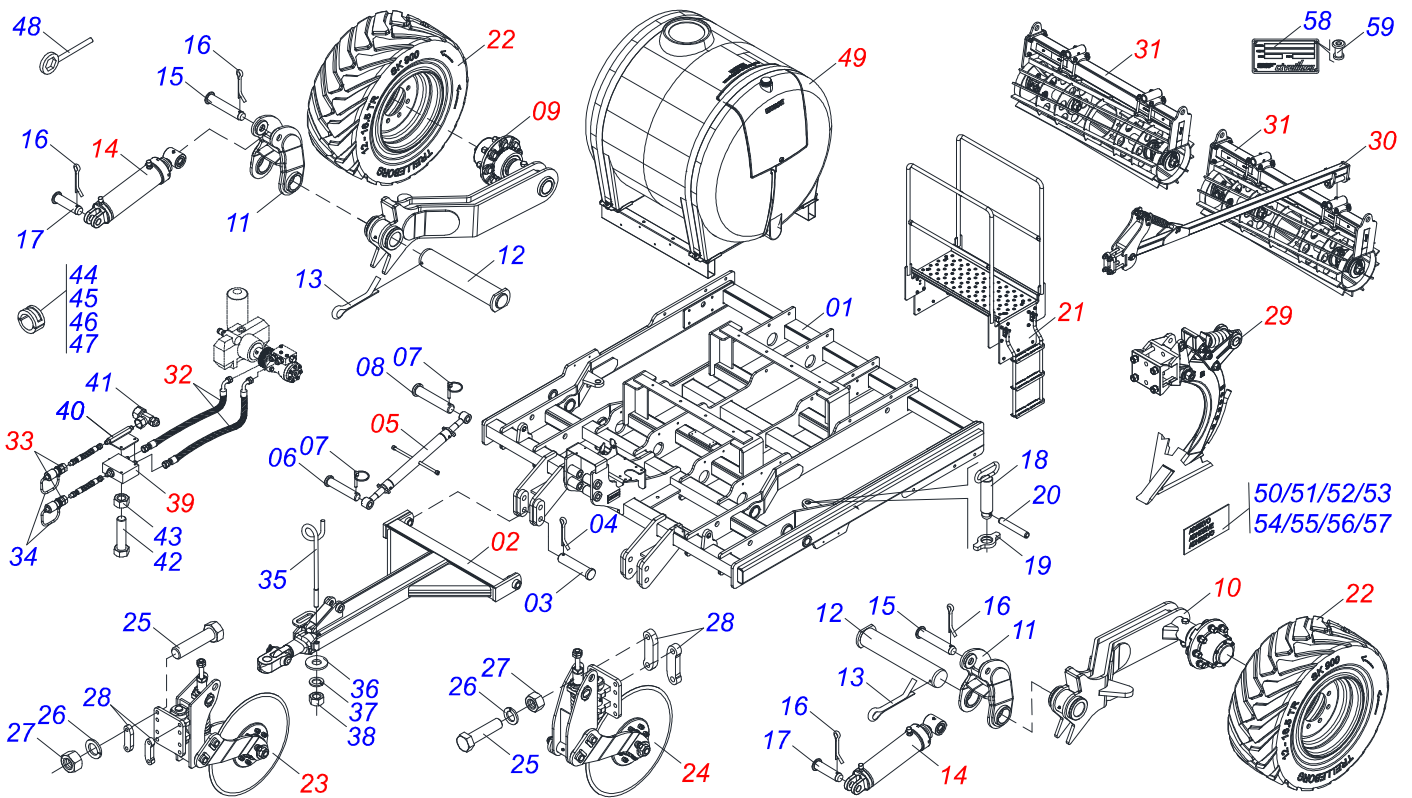
Code	Description	
0120370272	STAC P 500 5H T1000L HIDR DC RD	S-0716
0120370271	STAC P 500 7H T1000L HIDR DC RD	S-0716

ATTENTION: IMPORTANT

CIVEMASA reserves the right to improve and/or modify the technical features of its products, without obligation to do the same with those products already sold and without prior knowledge of the dealer or the customer. The photos are only illustrative.

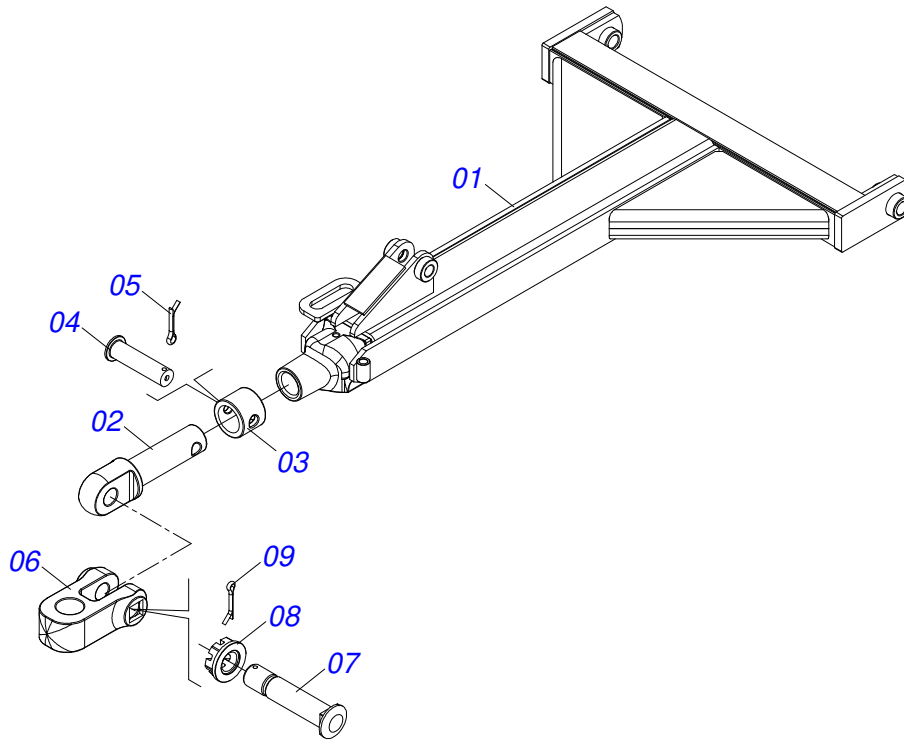
INDEX

0909094436	FRAME ASSY	1
0511059186	DRAWBAR ASSEMBLY	2
0501054088	DRAWBAR STABILIZER ASSEMBLY	3
0511059787	RIGHT WHEEL ASSEMBLY	4
0511059685	LEFT WHEEL ASSEMBLY	5
0511059615	ASSY HUB	6
0521046321	HYDRAULIC CYLINDER	7
0511059868	PLATFORM ASSEMBLY (05 RODS)	8
0511059788	PLATFORM ASSEMBLY (07 RODS)	9
0521051192	SIDE LADDER ASSEMBLY	10
0521054068	WHEEL WITH TIRE 12 X 16.5 - 12 CANVAS (RIGHT)	11
0521044567	24" REAR DISC BLADE	12
0521044568	24" FRONT DISC BLADE	13
0511053370	24" X 7,5 BLADE DISC ASSY	14
0501057526	DISC HUB	15
0511059188	CAGE ROLLER ARM ASSEMBLY	16
0521045127	BREAK ROLLER	17
0521045128	CAGE ROLLER ASSEMBLY	18
0501042180	BEARING DUROMARK OL 192,5 X 1.1/4 IT	19
0501046922	AGRICULTURAL BEARING DM OL 7 X 1.1/4 IMPLEMENT	20
0511059300	HOSE KIT (05 RODS)	21
0511059200	HOSE KIT (07 RODS)	22
0511057381	FLOW DIVIDING VALVE	23
0511059870	HYDRAULIC SPRAY KIT (05 RODS)	24
0511059862	KIT HYDRAULIC SPRAYER	25
0511058936	RESERVOIR ASSEMBLY	26
0511059272	5-WAY HERBICIDE DISTRIBUTOR ASSEMBLY	27
0521046320	7-WAY HERBICIDE DISTRIBUTOR ASSEMBLY	28

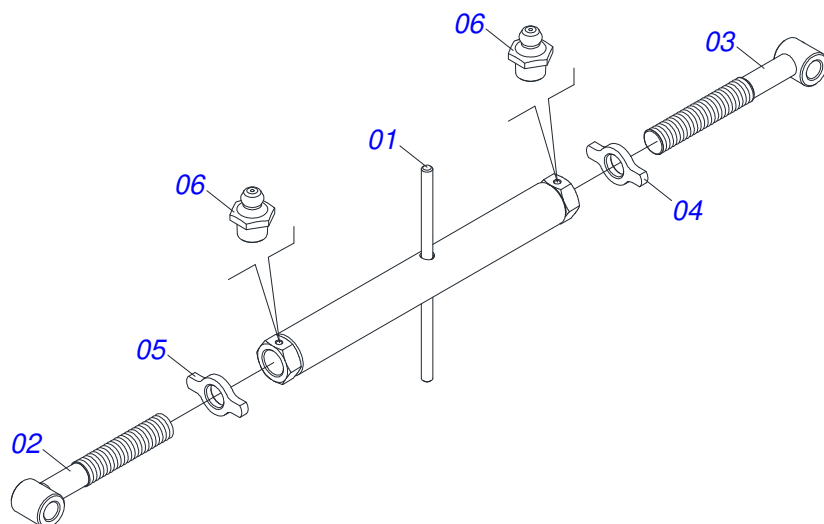


Item	Code	Description	See page	05H	07H
01	0521067021	FRAME		01	00
01.	0521066894	FRAME ASSY		00	01
02	0511059186	DRAWBAR ASSEMBLY	2	01	01
03	0531016023	EIXO INF ENGATE AST/MATIC E 550		02	02
04	0503010523	1/4" X 2" SPLIT PIN		02	02
05	0501054088	DRAWBAR STABILIZER ASSEMBLY	3	01	01
06	0531017716	AXLE TIGHTENER		01	01
07	0503030085	LOCK PIN		02	02
08	0581011537	AXLE TIGHTENER		01	01
09	0511059787	RIGHT WHEEL ASSEMBLY	4	01	01
10	0511059685	LEFT WHEEL ASSEMBLY	5	01	01
11	0521066896	CARRYING-WHEELS PIVOT		02	02
12	0521066899	AXLE		02	02
13	0503010074	3/8 X 0,15" COTTERPIN		02	02
14	0521046321	HYDRAULIC CYLINDER	7	02	02
15	0521810547	JUNCTION AXIS		02	02
16	0503010523	1/4" X 2" SPLIT PIN		04	04
17	0521812538	COUPLING SHAFT		02	02
18	0521064086	ADJUSTMENT WHEEL		02	02
19	0541018672	COUNTERNUT		02	02
20	0503010839	03"X 0.6" SPRING PIN		02	02
21	0511059868	PLATFORM ASSEMBLY (05 RODS)	8	01	00
21.	0511059788	PLATFORM ASSEMBLY (07 RODS)	9	00	01
22	0521054068	WHEEL WITH TIRE 12 X 16.5 - 12 CANVAS (RIGHT)	11	02	02
23	0521044567	24" REAR DISC BLADE	12	02	02
24	0521044568	24" FRONT DISC BLADE	13	03	05
25	0503014744	3/4 UNF X 7.1/2 C S G.7 ZN BOLT		20	28
26	0503010023	3/4" SPRING WASHER		20	28
27	0503010335	3/4 NUT		20	28
28	0571011609	DISC BLADE FIXER PLATE		10	14
29	0511048955	ROD SYSTEM ASSEMBLY WITH CONDUCTOR		05	07

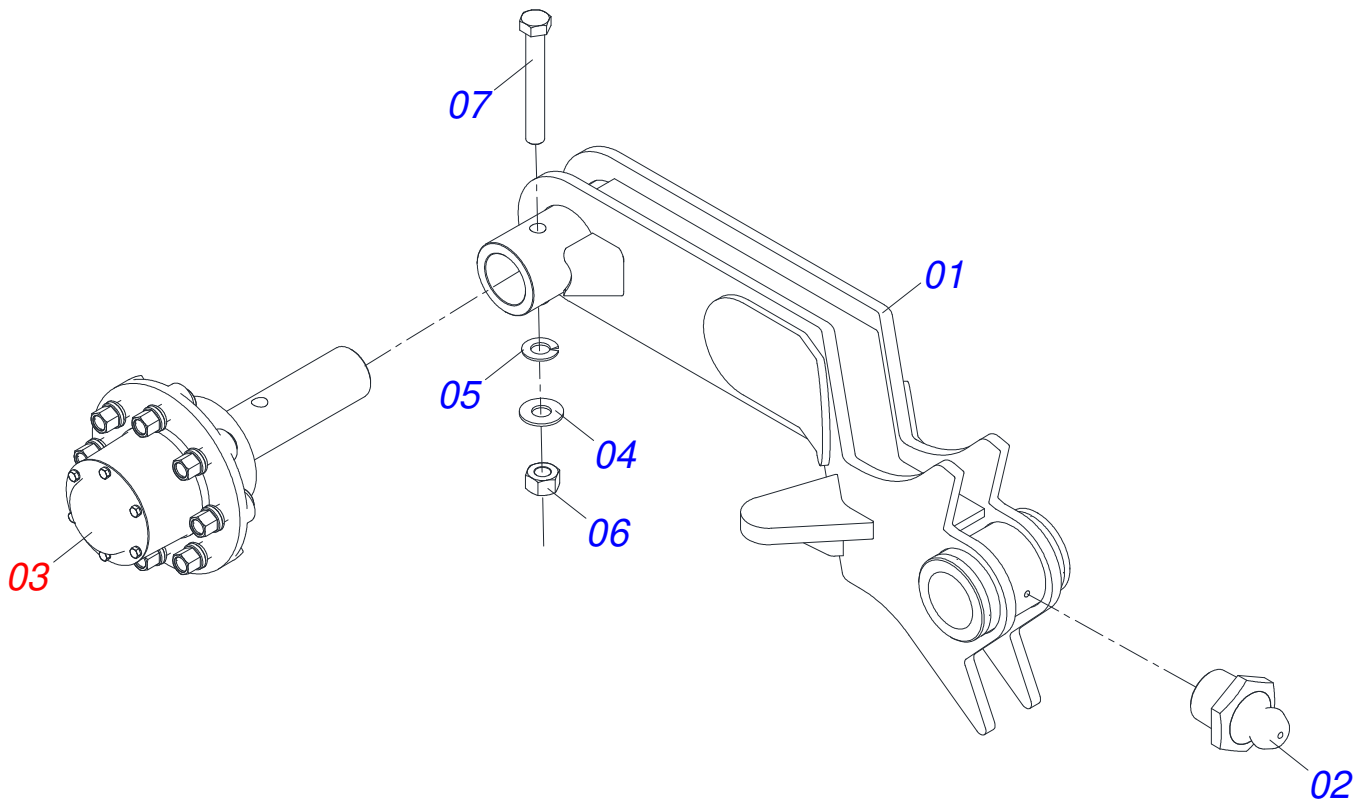
Item	Code	Description	See page	05H	07H
30	0511059188	CAGE ROLLER ARM ASSEMBLY	16	04	04
31	0521045127	BREAK ROLLER	17	02	00
31.	0521045128	CAGE ROLLER ASSEMBLY	18	00	02
32	0511059300	HOSE KIT (05 RODS)	21	01	00
32.	0511059200	HOSE KIT (07 RODS)	22	00	01
33	0503011627	MALE QUICK COUPLER AGR 1/2 NPT		02	02
34	0503011882	MALE QUICK COUPLER CAP		02	02
35	0501013658	HOSE HOLDER		02	02
36	0501017066	FLAT WASHER		04	04
37	0503010023	3/4" SPRING WASHER		04	04
38	0503010014	3/4" HEX NUT		04	04
39	0511057381	FLOW DIVIDING VALVE	23	01	01
40	0521066121	OIL TUBE		01	01
41	0503037376	3/4" T ADAPTER WITH SWIVEL NUT		01	01
42	0503011053	5/16" X 3" C S 6.5 ZN BOLT		02	02
43	0503010337	5/16" NUT		02	02
44	0501047895	25 ROD STOP		06	06
45	0501047885	30 ROD STOP		02	02
46	0501047886	35 ROD STOP		02	02
47	0501047887	40 ROD STOP		02	02
48	0511062077	WRENCH		01	01
49	0511059870	HYDRAULIC SPRAY KIT (05 RODS)	24	01	00
49.	0511059862	KIT HYDRAULIC SPRAYER	25	00	01
50	0503031827	LUBRICATE AND RETIGHTEN DAILY DECAL		02	02
51	0503031428	READ MANUAL DECAL		01	01
52	0503033301	STAC P EMBLEM		02	02
53	0503033246	ADHESIVE LABEL		02	02
54	0503032875	BADGE DANGER		01	01
55	0503033647	APPROVED BADGE		01	01
56	0503034078	LIFTING POINTS DECAL		04	04
57	0503031739	ADHESIVE LABEL		01	01
58	0503034004	ALUMINUM IDENTIFICATION LABEL		01	01
59	0503010001	3.2 X 5.5 RIVET		01	01



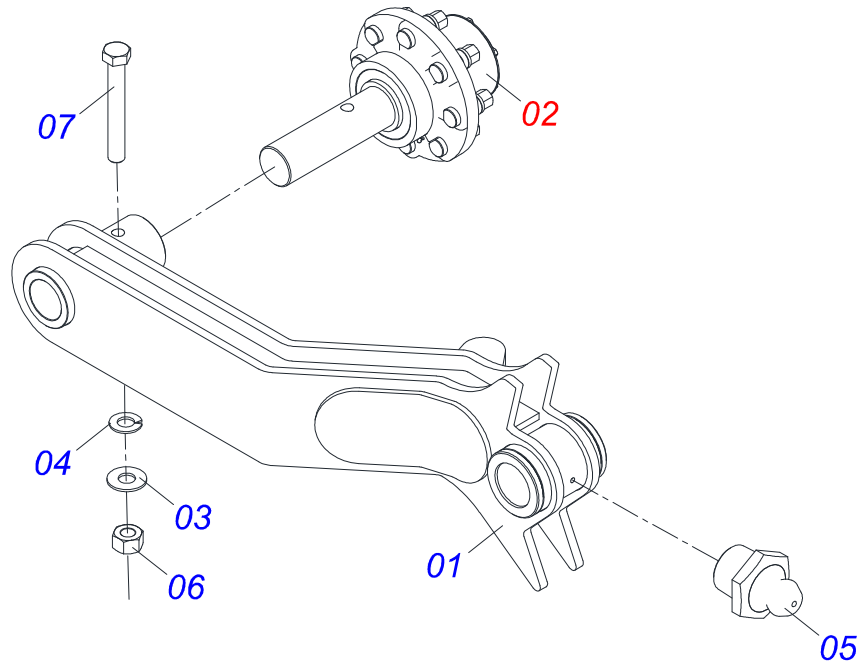
Item	Code	Description	See page	QT
01	0511063767	DRAWBAR		01
02	0502040223	DRAWBOLT		01
03	1902040327	LOCK SLEEVE		01
04	0511014902	COUPLING SHAFT		01
05	0503010571	1/4" X 1.1/2 COTTERPIN		01
06	1902040733	U COUPLING HOOK		01
07	0521012545	COUPLING SHAFT		01
08	0501011301	1.1/2 UNC 6FPP 2.5/16 NUT		01
09	0503010010	1/4" X 2.1/2" COTTERPIN		01



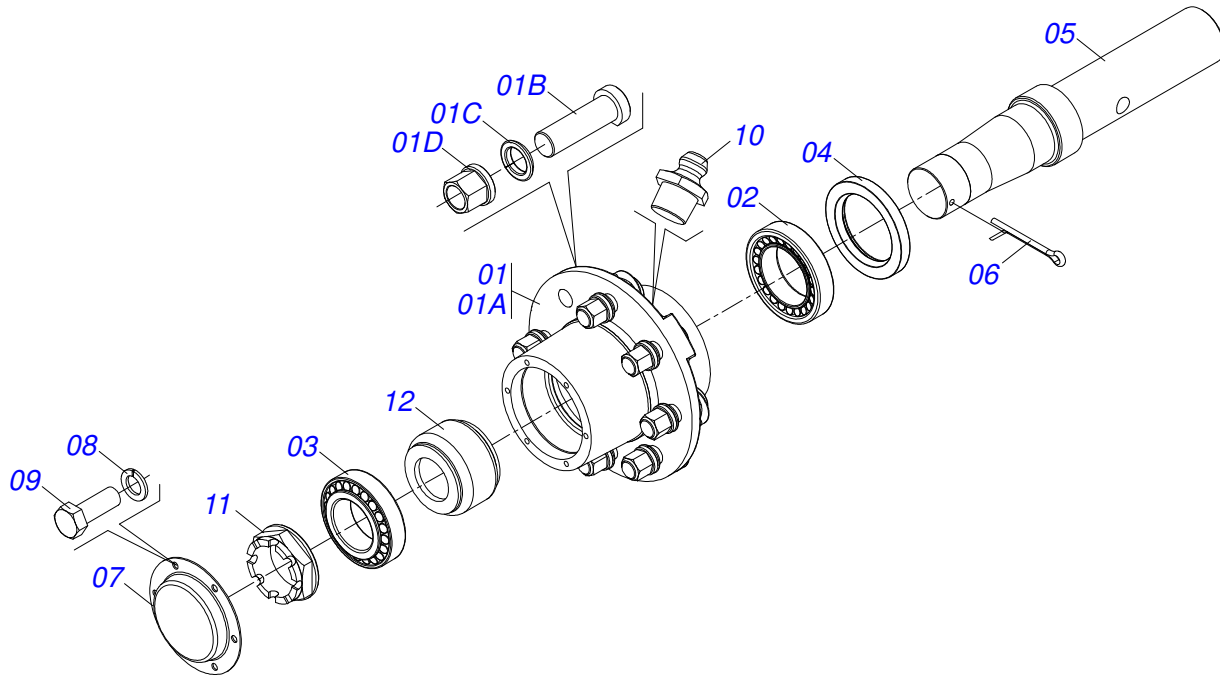
Item	Code	Description	See page	QT
01	0511063786	EXTENDER 950		01
02	0511063787	RIGHT EXTENDER SPINDLE R1.1/2 X 432		01
03	0511063788	LEFT EXTENDER SPINDLE R1.1/2 X 432		01
04	0541018672	COUNTERNUT		01
05	0541018673	COUNTERNUT		01
06	0503010002	1800 GREASE FITTING		02



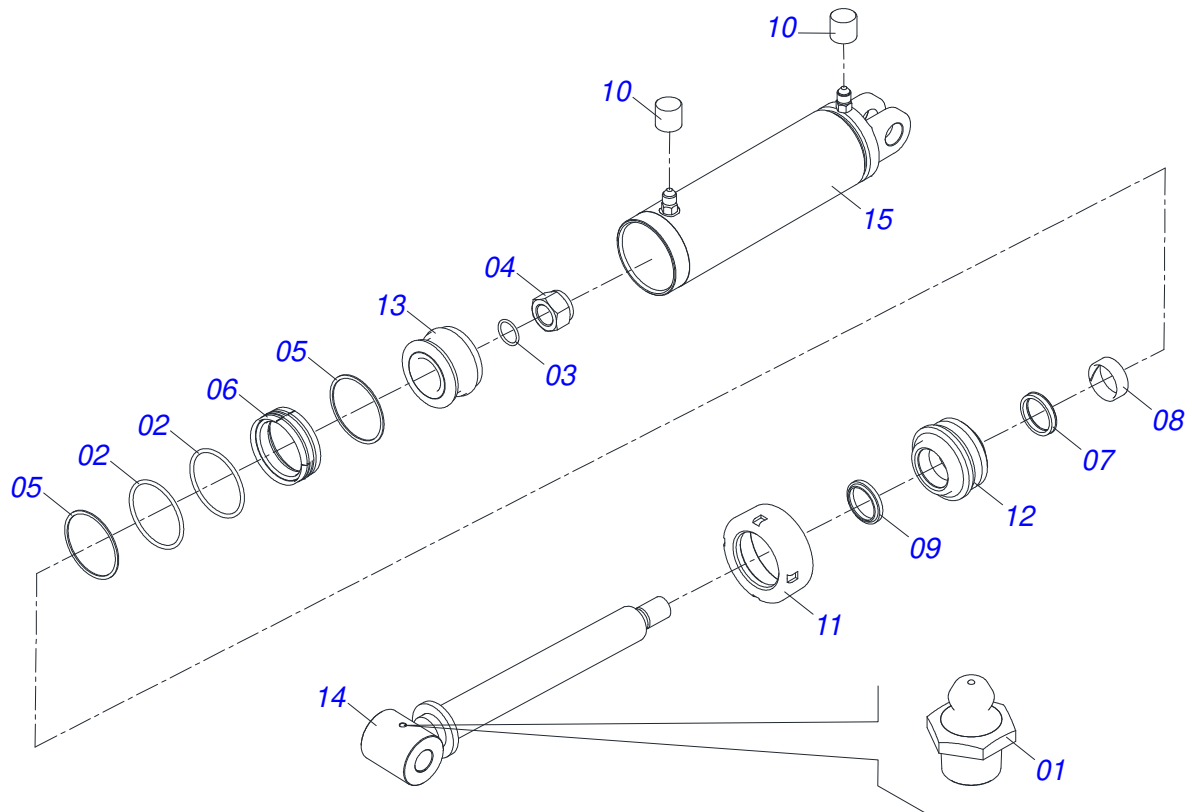
Item	Code	Description	See page	QT
01	0521066900	RIGHT CARRYING-WHEELS		01
02	0503010002	1800 GREASE FITTING		01
03	0511059615	ASSY HUB	6	01
04	0501017065	FLAT WASHER		01
05	0503010023	3/4" SPRING WASHER		01
06	0503010014	3/4" HEX NUT		01
07	0503013185	3/4" X 5-1/2" BOLT		01



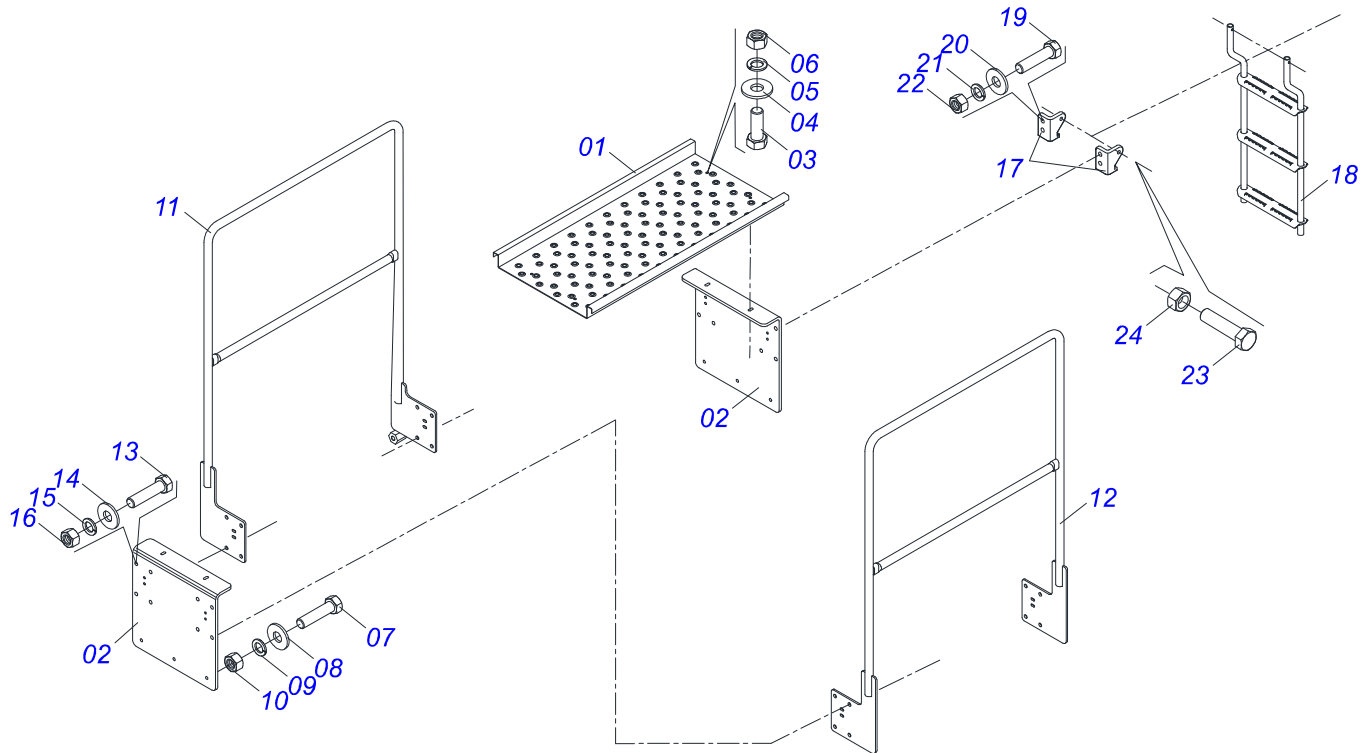
Item	Code	Description	See page	QT
01	0521066897	LEFT CARRYING-WHEELS		01
02	0511059615	ASSY HUB	6	01
03	0501017065	FLAT WASHER		01
04	0503010023	3/4" SPRING WASHER		01
05	0503010002	1800 GREASE FITTING		01
06	0503010014	3/4" HEX NUT		01
07	0503013185	3/4" X 5-1/2" BOLT		01



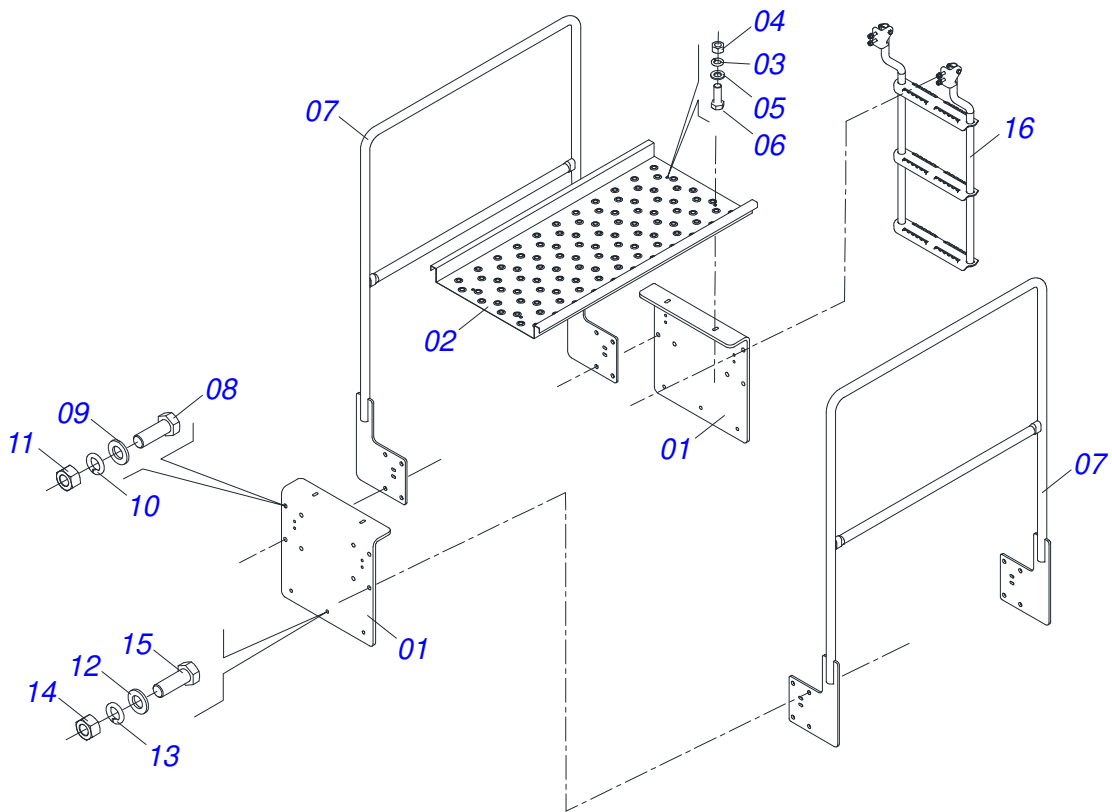
Item	Code	Description	See page	QT
01	0501110751	HUB AND SPINDLE WITH BOLT		01
01A	0502040522	HUB CARRYING-WHEELS		01
01B	0503011339	M22 X 1,5 X 72 BOLT		08
01C	0503011340	SPHERICAL SPRING WASHER		08
01D	0503011341	M22 X 0.6" NUT GR8		08
02	0503010059	33287/33462 ROLLER BEARING		01
03	0503010007	3982/3920 ROLLER BEARING		01
04	0503010050	SEAL 00085-B		01
05	0581012926	AXLE ASSY		01
06	0503011345	1/4" X 3-1/2" COTTERPIN		01
07	0541013225	WHEEL HUB LID		01
08	0503011444	SPRING WASHER		06
09	0503010240	BOLT		06
10	0503010002	1800 GREASE FITTING		01
11	0502040080	FLANGE NUT R.2.1/2 UN		01
12	1882970002	GREASE SOAP		2,237Kg



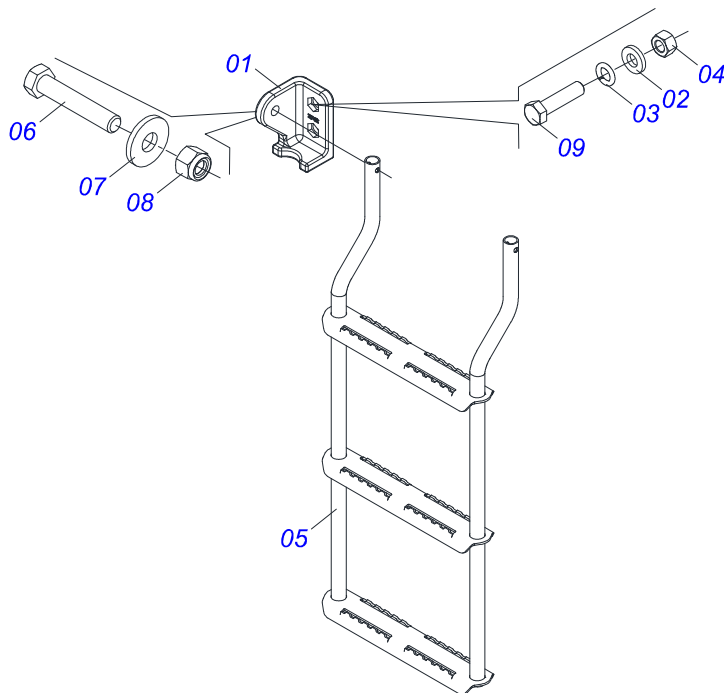
Item	Code	Description	See page	QT
01	0503010002	1800 GREASE FITTING	01	01
02	0503010338	2-342 N 3006-9B O'RING	02	02
03	0503010345	2-218 N 3006-9B O'RING	01	01
04	0503010817	1.1/4" SELF LOCKING NUT	01	01
05	0503011061	8-342 BACK-UP RING	02	02
06	0503015633	SELEMASTER SEALING	01	01
07	0503015636	SCRAPER SEAL	01	01
08	0503018025	RING GUIDE	01	01
09	0503018026	1870-2000-375 B GASKET	01	01
10	0503030385	CYLINDER PLUG N-002	02	02
11	0502012822	101.60 END CAP	01	01
12	0581010678	50,80 X 101 RING SUPPORT	01	01
13	0502012842	50,80 X 101,60 PISTON	01	01
14	0521066898	EXTENDER 50.80 X 492.50	01	01
15	0511070921	4" X 16" CYLINDER CASE	01	01



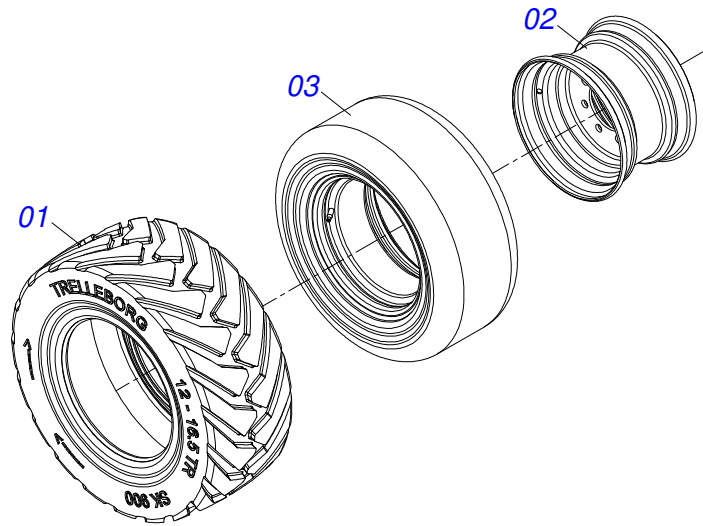
Item	Code	Description	See page	QT
01	0521067294	PLATFORM		01
02	0581012810	FIXING BASE		02
03	0503010751	C3/8" X 1.1/4" HEX BOLT G.5		04
04	0501010984	10,50 X 27 X 3,00 FLAT WASHER		04
05	0503010025	3/8 SPRING WASHER		04
06	0503010026	3/8" NUT		04
07	0503011236	3/8" X 2" BOLT		06
08	0501010984	10,50 X 27 X 3,00 FLAT WASHER		06
09	0503010025	3/8 SPRING WASHER		06
10	0503010026	3/8" NUT		06
11	0521067291	FRONT SIDE CORRIMAO		01
12	0521067290	SIDE HANDRAIL		01
13	0503010232	5/8" X 1.3/4" BOLT		16
14	0501010301	FLAT WASHER		16
15	0503010027	5/8 SPRING WASHER		16
16	0503010013	5/8 NUT		16
17	0502012742	FIXER SUPPORT LADDER		02
18	0521066904	LADDER		01
19	0503010849	3/8" X 1-1/2" BOLT		04
20	0501013518	FLAT WASHER		04
21	0503010025	3/8 SPRING WASHER		04
22	0503010026	3/8" NUT		04
23	0503011179	3/8" X 2-1/4" BOLT		02
24	0503013357	3/8 SELF-ADJUSTING NUT		02



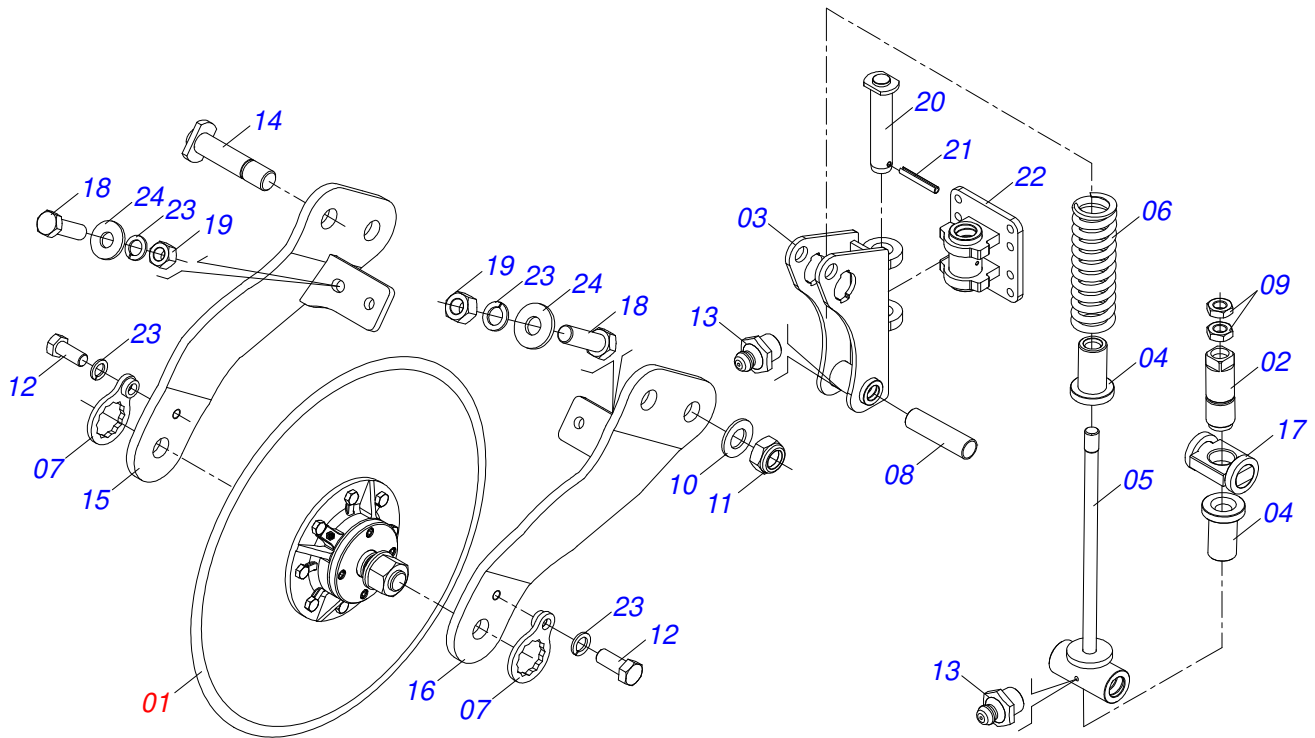
Item	Code	Description	See page	QT
01	0581012810	FIXING BASE		02
02	0581012943	FIXING BASE		01
03	0503010025	3/8 SPRING WASHER		04
04	0503010026	3/8" NUT		04
05	0501010984	10,50 X 27 X 3,00 FLAT WASHER		04
06	0503010751	C3/8" X 1.1/4" HEX BOLT G.5		04
07	0521067288	SIDE CORRIMAO		02
08	0503010232	5/8" X 1.3/4" BOLT		16
09	0501010301	FLAT WASHER		16
10	0503010027	5/8 SPRING WASHER		16
11	0503010013	5/8 NUT		16
12	0501010937	13,50 X 28 X 3,00 FLAT WASHER		06
13	0503010019	1/2" SPRING WASHER		06
14	0503010060	1/2 UNC G.5 ZN HEX NUT		06
15	0503010905	1/2" X 2-1/4" BOLT		06
16	0521051192	SIDE LADDER ASSEMBLY	10	01



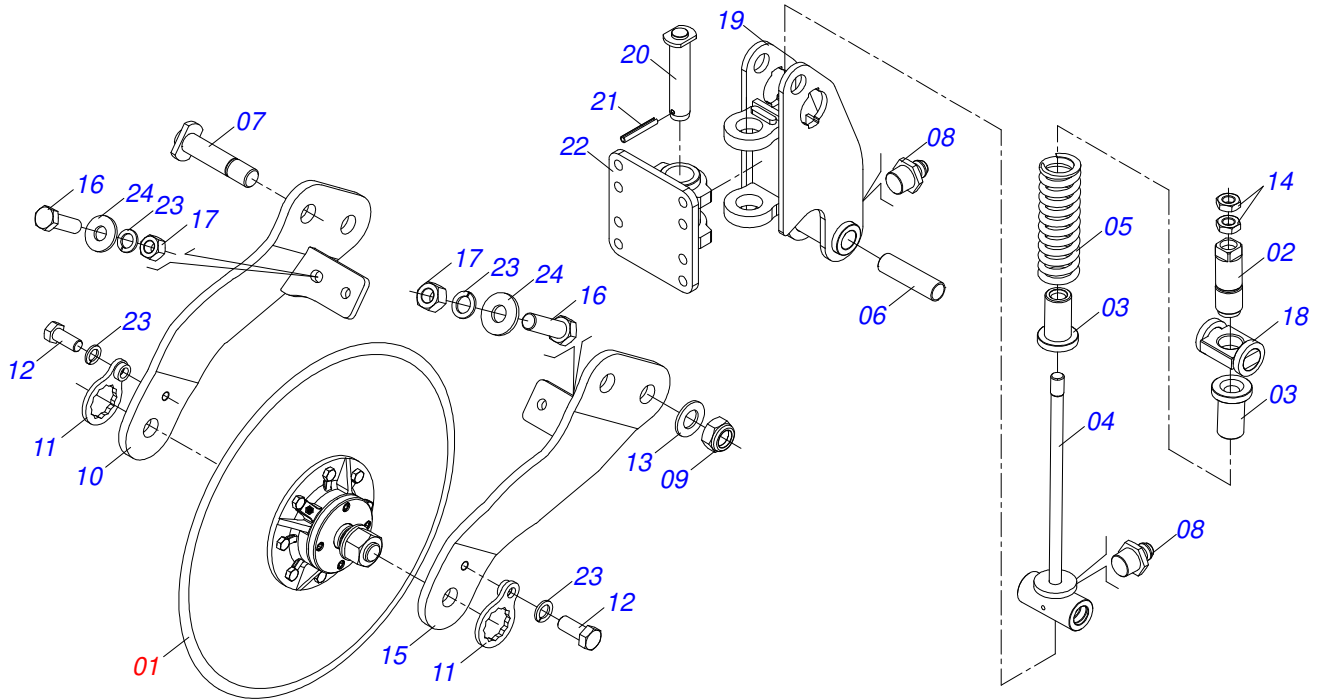
Item	Code	Description	See page	QT
01	0502012742	FIXER SUPPORT LADDER		02
02	0501013687	FLAT WASHER		04
03	0503010025	3/8 SPRING WASHER		04
04	0503010026	3/8" NUT		04
05	0511069819	SIDE LADDER		01
06	0501010096	3/8" X 2" BOLT		02
07	0501010984	10,50 X 27 X 3,00 FLAT WASHER		02
08	0503013357	3/8 SELF-ADJUSTING NUT		02
09	0503010849	3/8" X 1-1/2" BOLT		04



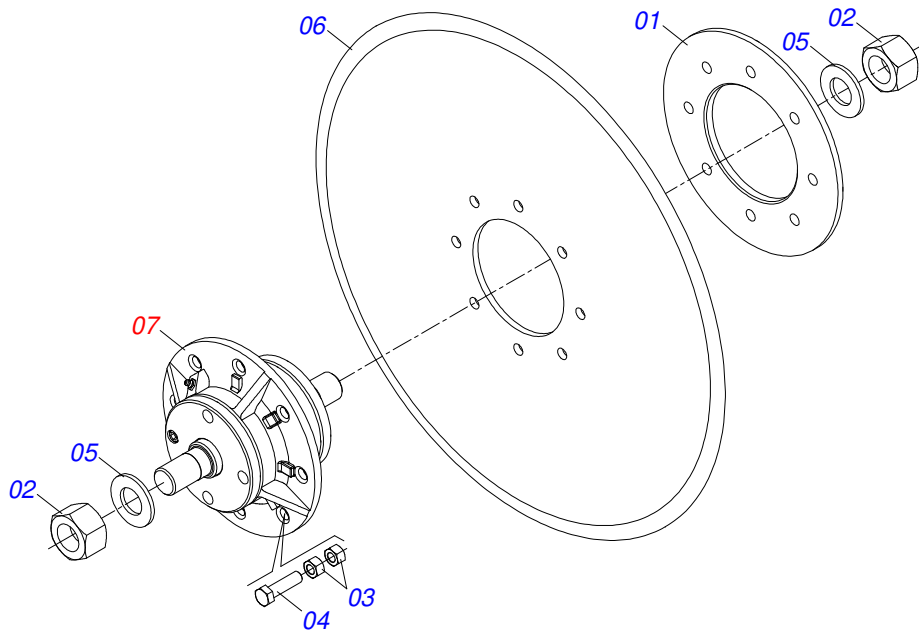
Item	Code	Description	See page	QT
01	0503033713	TIRE 12 X 16,5/12L TR SK 900		01
02	0503015029	WHEEL		01
03	0503015355	INNER TIRE		01



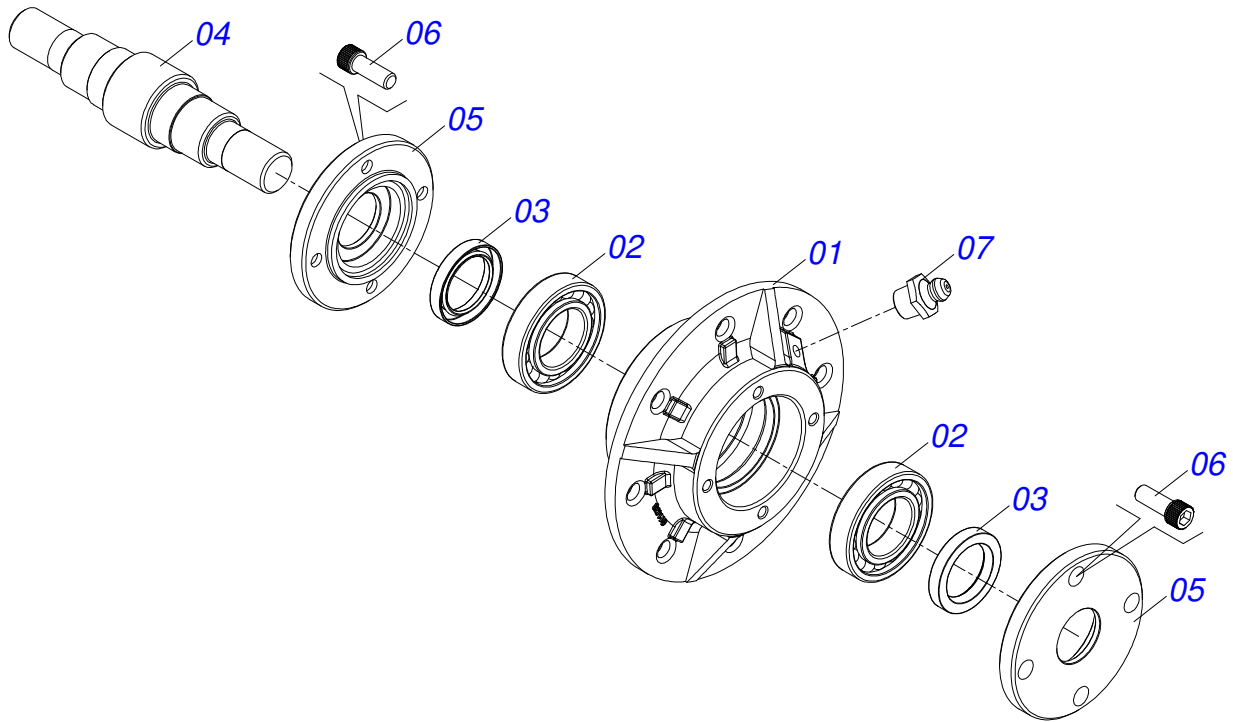
Item	Code	Description	See page	QT
01	0511053370	24" X 7,5 BLADE DISC ASSY	14	01
02	0571010668	2" REGULATOR SPINDLE		01
03	0521065137	REAR FIXER		01
04	0571010669	SLEEVE Ø28,58 X Ø50 X 105		02
05	0521062925	PRING ROD		01
06	0503031390	2.1"X10"X1/2" COMPRESSION SPRING		01
07	0501069637	AXLE NUT LOCK		02
08	0551014549	SLEEVE 32,54 X 37,80 X 140		02
09	0503013635	1" NUT		02
10	0501017779	32 X 60 X 4.75 FLAT WASHER		02
11	0503010044	1-1/4" SELF LOCKING NUT		02
12	0503011267	5/8 UNC X 1.1/2 C S G.5 ZN BOLT		02
13	0503010002	1800 GREASE FITTING		03
14	0521062926	COUPLING SHAFT		02
15	0521062924	RIGHT ARM THE BLADE DISC		01
16	0521064686	RIGHT ARM OF THE BLADE DISC		01
17	0521064687	SPRING LOCKNUT		01
18	0501010100	SCREW 5/8 UNC X 2 CS G.5 ZN		02
19	0503010013	5/8 NUT		02
20	0521065131	COUPLING SHAFT		01
21	0503016184	SPRING PIN		01
22	0521065132	SPRING FIXER		01
23	0503810027	WASHER PRESSURE 5/8 SA		08
24	0501012140	FLAT WASHER		02



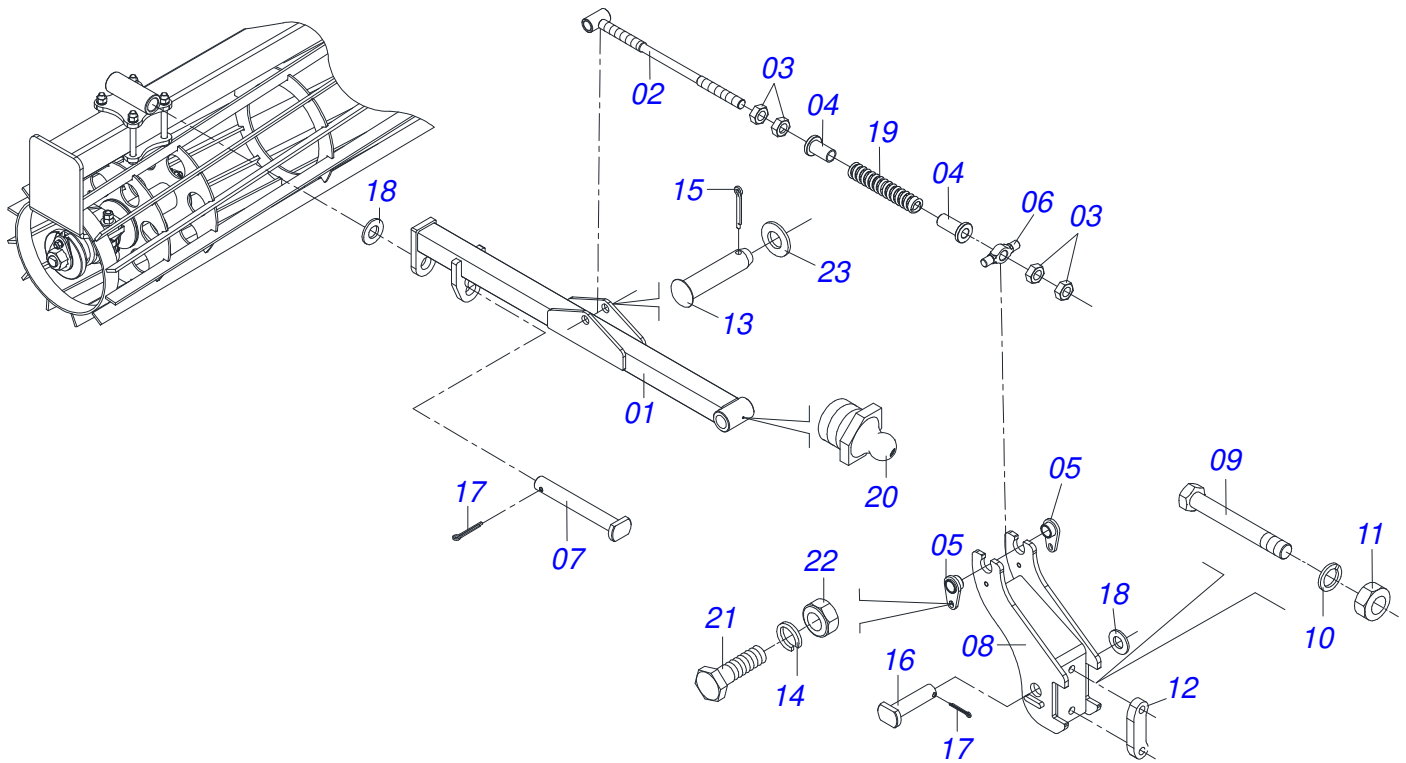
Item	Code	Description	See page	QT
01	0511053370	24" X 7,5 BLADE DISC ASSY	14	01
02	0571010668	2" REGULATOR SPINDLE		01
03	0571010669	SLEEVE Ø28,58 X Ø50 X 105		02
04	0521062925	PRING ROD		01
05	0503031390	2.1"X10"X1/2" COMPRESSION SPRING		01
06	0551014549	SLEEVE 32,54 X 37,80 X 140		02
07	0521062926	COUPLING SHAFT		02
08	0503010002	1800 GREASE FITTING		03
09	0503010044	1-1/4" SELF LOCKING NUT		02
10	0521062924	RIGHT ARM THE BLADE DISC		01
11	0501069637	AXLE NUT LOCK		02
12	0503011267	5/8 UNC X 1.1/2 C S G.5 ZN BOLT		02
13	0501017779	32 X 60 X 4.75 FLAT WASHER		02
14	0503013635	1" NUT		02
15	0521064686	RIGHT ARM OF THE BLADE DISC		01
16	0501010100	SCREW 5/8 UNC X 2 CS G.5 ZN		02
17	0503010013	5/8 NUT		02
18	0521064687	SPRING LOCKNUT		01
19	0521065138	FRONT FIXER		01
20	0521065131	COUPLING SHAFT		01
21	0503016184	SPRING PIN		01
22	0521065132	SPRING FIXER		01
23	0503810027	WASHER PRESSURE 5/8 SA		08
24	0501012140	FLAT WASHER		02



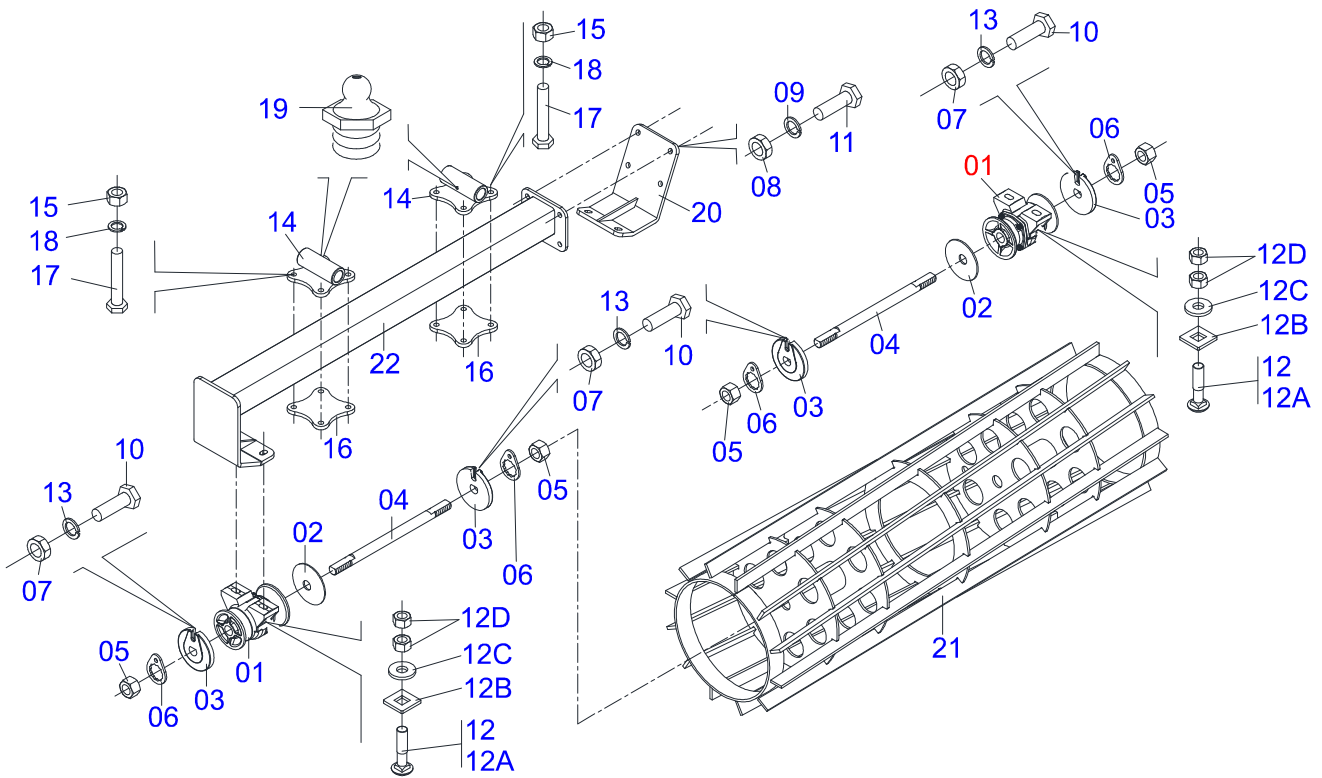
Item	Code	Description	See page	QT
01	0521011824	DISC BLADE SUPPORT FLANGE		01
02	0501010087	1.1/4" NUT		02
03	0503010060	1/2 UNC G.5 ZN HEX NUT		16
04	0503010905	1/2" X 2-1/4" BOLT		08
05	0501017779	32 X 60 X 4.75 FLAT WASHER		02
06	0603030067	24" X 7,5 PLAIN COULTER BLADE		01
07	0501057526	DISC HUB	15	01



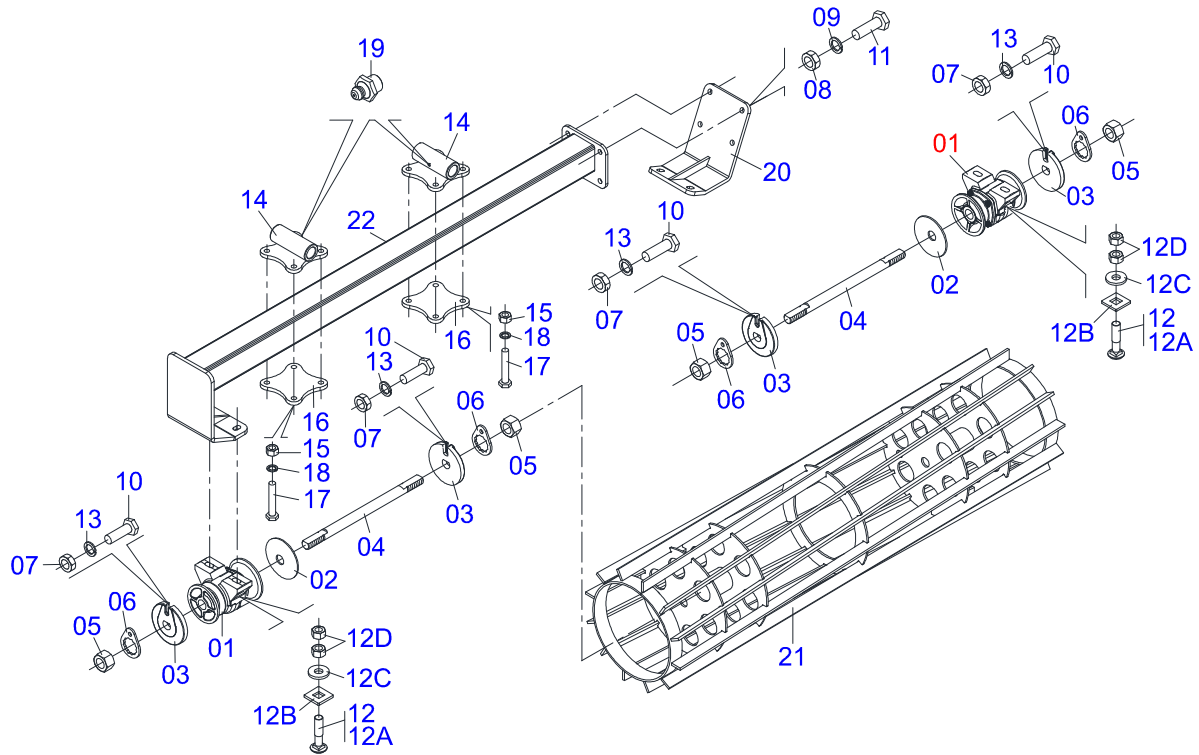
Item	Code	Description	See page	QT
01	0502011478	DISC HUB		01
02	0503011291	6209 BALL BEARING		02
03	0503012106	SEAL RETAINER 00521-BR		02
04	0521012661	DISC BLADE HUB AXLE		01
05	0502011477	BLADE DISC HOUSIG CP		02
06	0503010134	3/8" X 1" BOLT		08
07	0503010002	1800 GREASE FITTING		01
08	1882970002	GREASE SOAP		0,03Kg



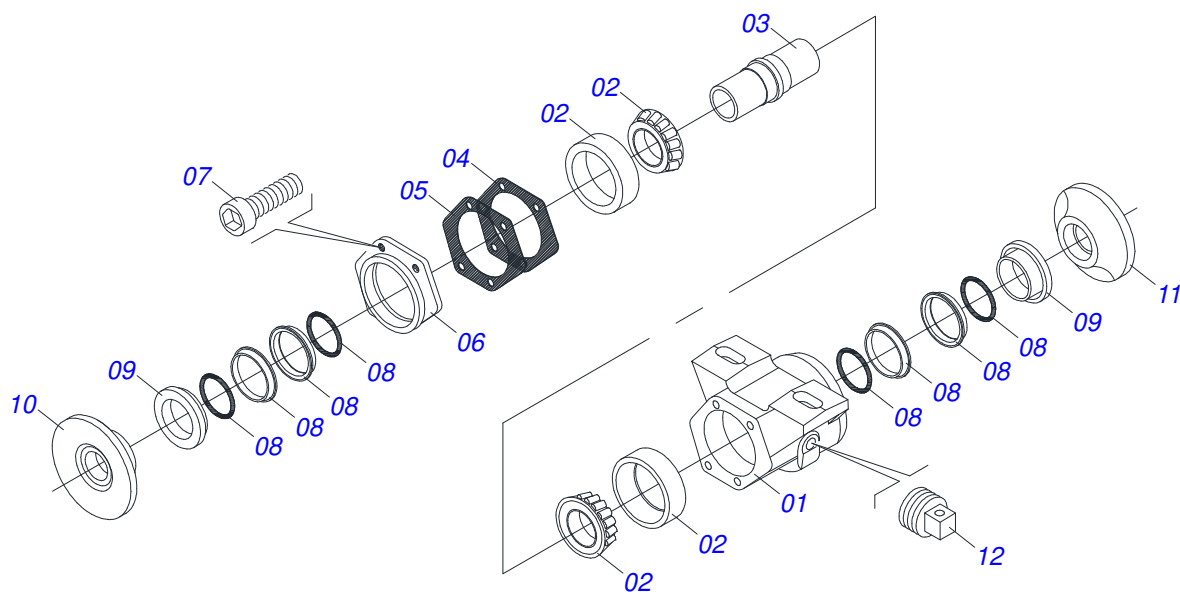
Item	Code	Description	See page	QT
01	0521066934	BREAKER ROLLER ARM ASSY	01	01
02	0521065532	SPRING ROD	01	01
03	0501010059	1.5/8 NUT	04	04
04	0571011377	SPRING GUIDE SLEEVE	02	02
05	0521063151	TRUNNION LOCK ARTICULATOR SPRING ROD	02	02
06	0571011378	TRUNNION ARTICULATOR SPRING ROD	01	01
07	0521062685	ARTICULATION AXIS	01	01
08	0521065529	ROLLER FIXATION SUPPORT	01	01
09	0503014744	3/4 UNF X 7.1/2 C S G.7 ZN BOLT	02	02
10	0503010023	3/4" SPRING WASHER	02	02
11	0503010335	3/4 NUT	02	02
12	0571011609	DISC BLADE FIXER PLATE	01	01
13	0521010578	COUPLING SHAFT	01	01
14	0503010019	1/2" SPRING WASHER	02	02
15	0503010523	1/4" X 2" SPLIT PIN	01	01
16	0521010808	1.4" X 5.8" COUPLING SHAFT	01	01
17	0503012267	5/16" X 3" COTTER PIN	02	02
18	0511019685	FLAT WASHER	02	02
19	0503031575	COMPRESSION SPRING	01	01
20	0503010002	1800 GREASE FITTING	01	01
21	0503010920	1/2 UNC X 1.1/2 C S G.5 ZN BOLT	02	02
22	0503010060	1/2 UNC G.5 ZN HEX NUT	02	02
23	0511015346	FLAT WASHER	01	01



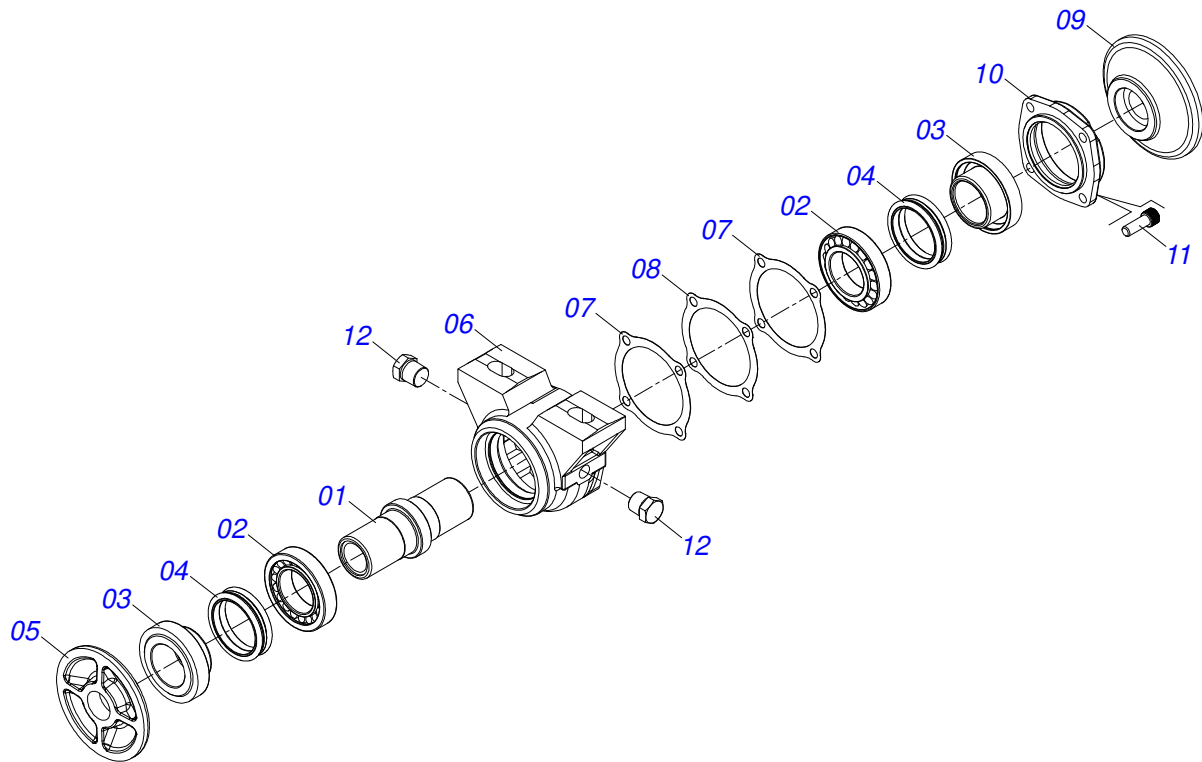
Item	Code	Description	See page	QT
01	0501042180	BEARING DUROMARK OL 192,5 X 1.1/4 IT	19	02
02	0503018575	WASHER CONCAVE		02
03	1902010835	1-1/4" EXTERNAL AXLE WASHER		04
04	0501010752	1.1/4 X 500 AXLE		02
05	0501010087	1.1/4" NUT		04
06	0501010455	1.1/4" NUT LOCK		04
07	0503010060	1/2 UNC G.5 ZN HEX NUT		04
08	0503010013	5/8 NUT		04
09	0503011445	SPRING WASHER		04
10	0501010161	1/2" X 1.1/4" BOLT		04
11	0503010232	5/8" X 1.3/4" BOLT		04
12	0501058802	5/8 UNC X 2.3/4 BOLT ASSY		04
12A	0503015154	5/8" X 2.3/4" BOLT		04
12B	0501010947	5/8 NUT LOCK		04
12C	0501012140	FLAT WASHER		04
12D	0503010013	5/8 NUT		08
13	0503011440	SPRING WASHER		04
14	0521065253	ROLLER FIXER		02
15	0503010013	5/8 NUT		08
16	0571017230	FIXER PLATE		02
17	0501013867	BOLT 5/8 UNC X 6 CS G.5 ZN		08
18	0503010027	5/8 SPRING WASHER		08
19	0503010002	1800 GREASE FITTING		02
20	0521062673	BRACKET MOBILE FIXER ROLLER		01
21	0521065546	ROLLER		01
22	0521065549	SUPPORT		01



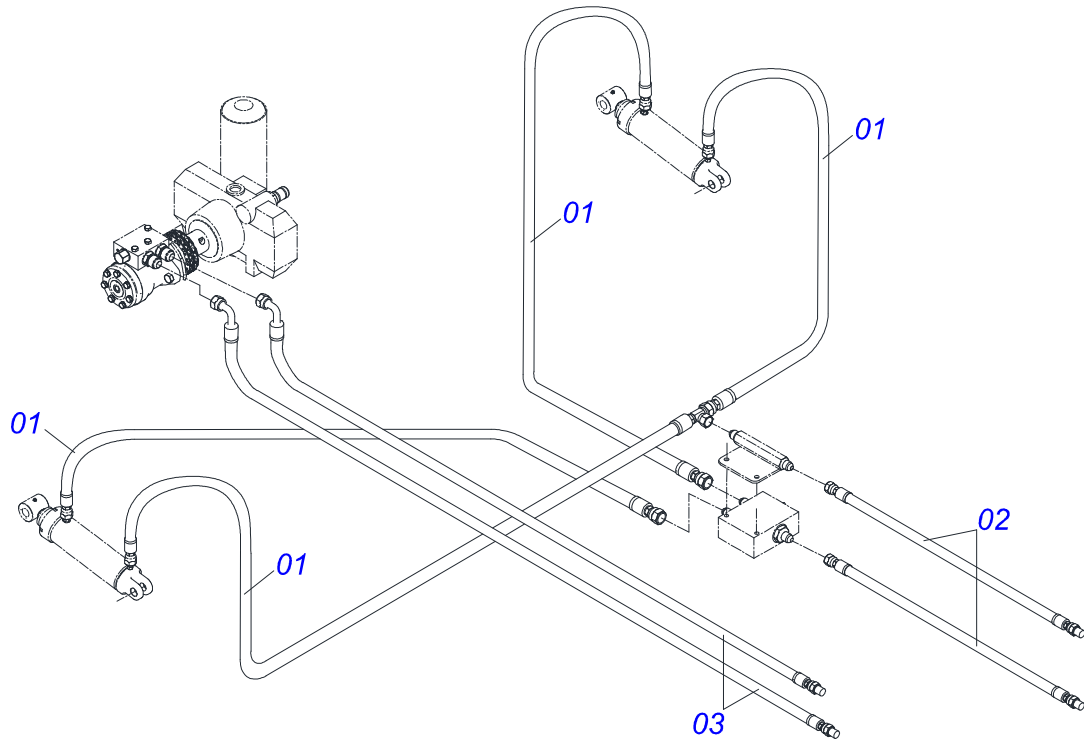
Item	Code	Description	See page	QT
01	0501046922	AGRICULTURAL BEARING DM OL 7 X 1.1/4	20	02
02	0531018575	WASHER CONCAVE		02
03	1902010835	1-1/4" EXTERNAL AXLE WASHER		04
04	0501010752	1.1/4 X 500 AXLE		02
05	0501010087	1.1/4" NUT		04
06	0501010455	1.1/4" NUT LOCK		04
07	0503010060	1/2 UNC G.5 ZN HEX NUT		04
08	0503010013	5/8 NUT		04
09	0503011445	SPRING WASHER		04
10	0501010161	1/2" X 1.1/4" BOLT		04
11	0503010232	5/8" X 1.3/4" BOLT		04
12	0501058802	5/8 UNC X 2.3/4 BOLT ASSY		04
12A	0503015154	5/8" X 2.3/4" BOLT		01
12B	0501010947	5/8 NUT LOCK		01
12C	0501012140	FLAT WASHER		01
12D	0503010013	5/8 NUT		02
13	0503011440	SPRING WASHER		04
14	0521065253	ROLLER FIXER		02
15	0503010013	5/8 NUT		08
16	0571017230	FIXER PLATE		02
17	0501013867	BOLT 5/8 UNC X 6 CS G.5 ZN		08
18	0503010027	5/8 SPRING WASHER		08
19	0503010002	1800 GREASE FITTING		02
20	0521062673	BRACKET MOBILE FIXER ROLLER		01
21	0521065547	ARM ROLLE ASSY		01
22	0521065550	BREAK ROLLER SUPPORT		01



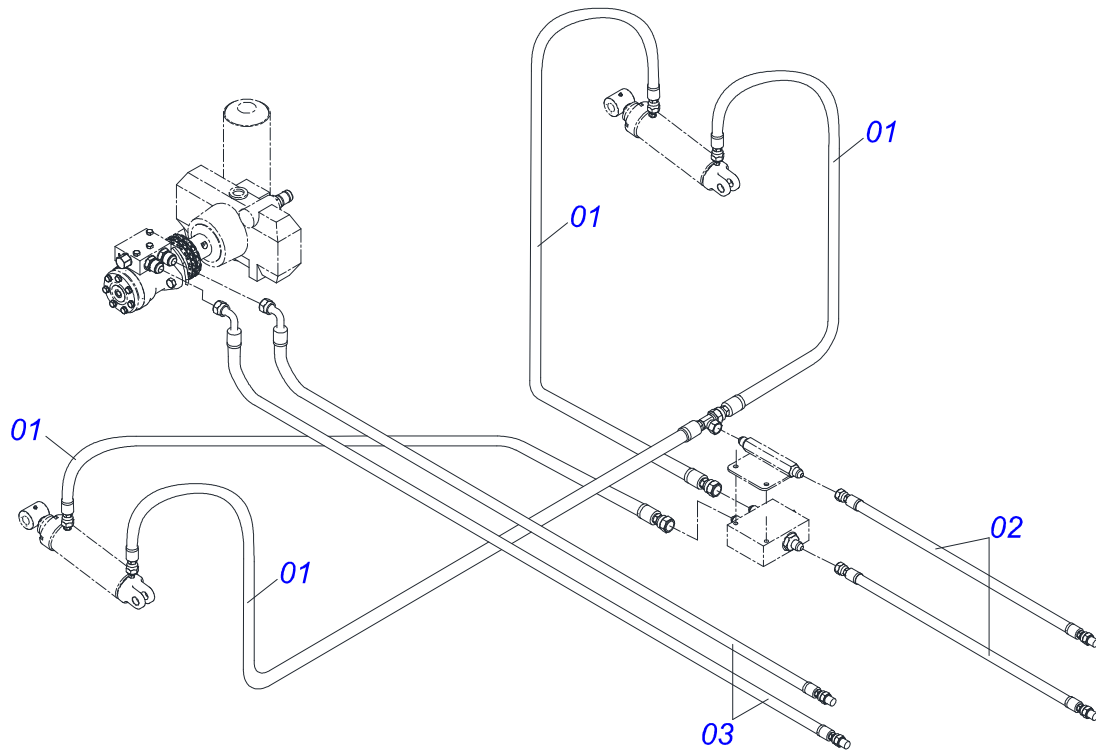
Item	Code	Description	See page	QT
01	0502010539	HOUSING DM		01
02	0503010111	30210 ROLLER BEARING		02
03	0502040218	AXLE		01
04	0503030013	4.4" X 3.5" X 0.004" JOINT		02
05	0503030684	4.4" X 3.5" X 0.004" JOINT		01
06	0502020424	HOUSING CAP		01
07	0503010134	3/8" X 1" BOLT		04
08	0503030026	SEAL LP JB-253		02
09	0502010541	SEAL RETAINER		02
10	0502010070	OUTER FLANGE		01
11	0502010071	INNER FLANGE		01
12	0503010856	OIL PLUG		01



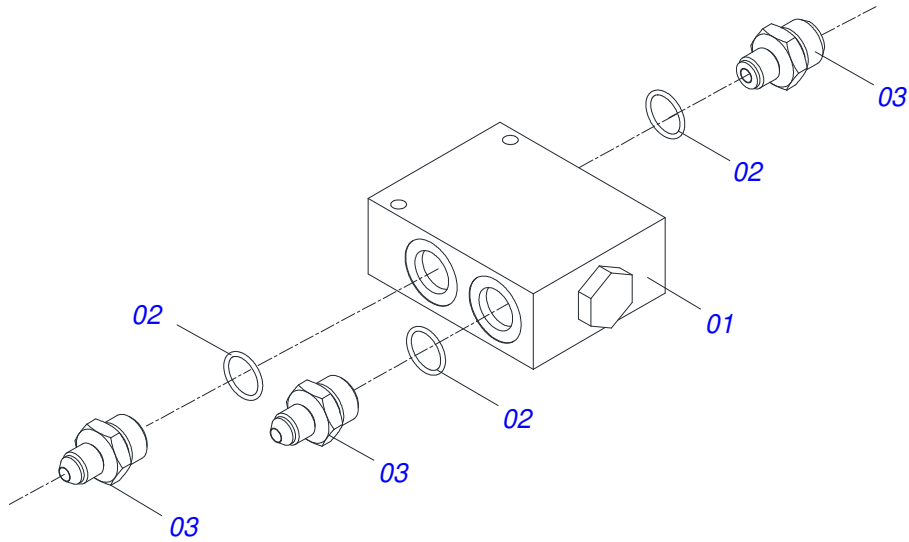
Item	Code	Description	See page	QT
01	0502040218	AXLE		01
02	0503010111	30210 ROLLER BEARING		02
03	0502010541	SEAL RETAINER		02
04	0503030026	SEAL LP JB-253		02
05	0502010071	INNER FLANGE		01
06	0502010540	HOUSING DM		01
07	0503030013	4.4" X 3.5" X 0.004" JOINT		02
08	0503030684	4.4" X 3.5" X 0.004" JOINT		01
09	0502010070	OUTER FLANGE		01
10	0502020424	HOUSING CAP		01
11	0503010134	3/8" X 1" BOLT		04
12	0503010856	OIL PLUG		02
13	3402301247	MINERAL OIL GREASE		0,11Lts



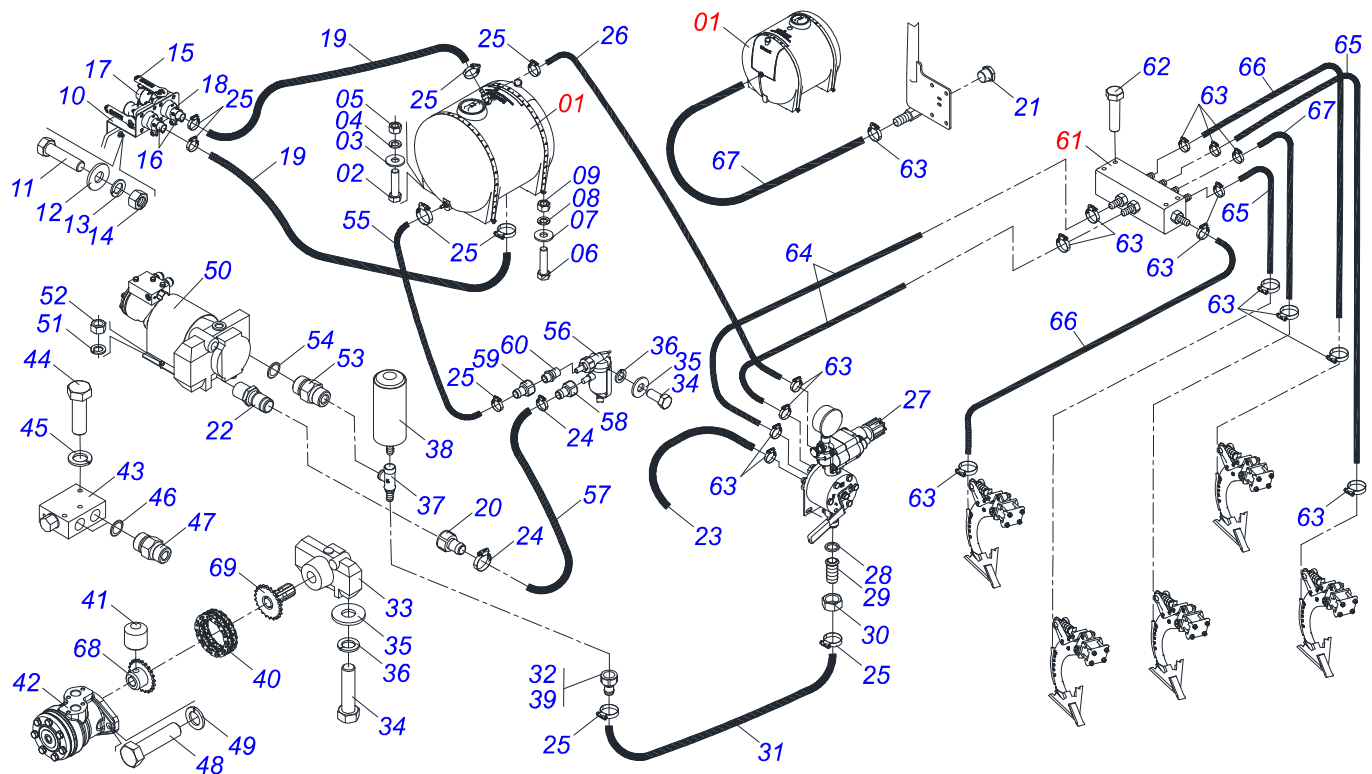
Item	Code	Description	See page	QT
01	0501080439	3/8" X 43" TR-TR HOSE		04
02	0501080384	3/8" X 118" TR-TM HOSE		02
03	0501080622	3/8" X 145.6" TC-TM HOSE ASSY		02



Item	Code	Description	See page	QT
01	0501080506	3/8" X 75" TR-TR HOSE ASSY		04
02	0501080384	3/8" X 118" TR-TM HOSE		02
03	0501080622	3/8" X 145.6" TC-TM HOSE ASSY		02

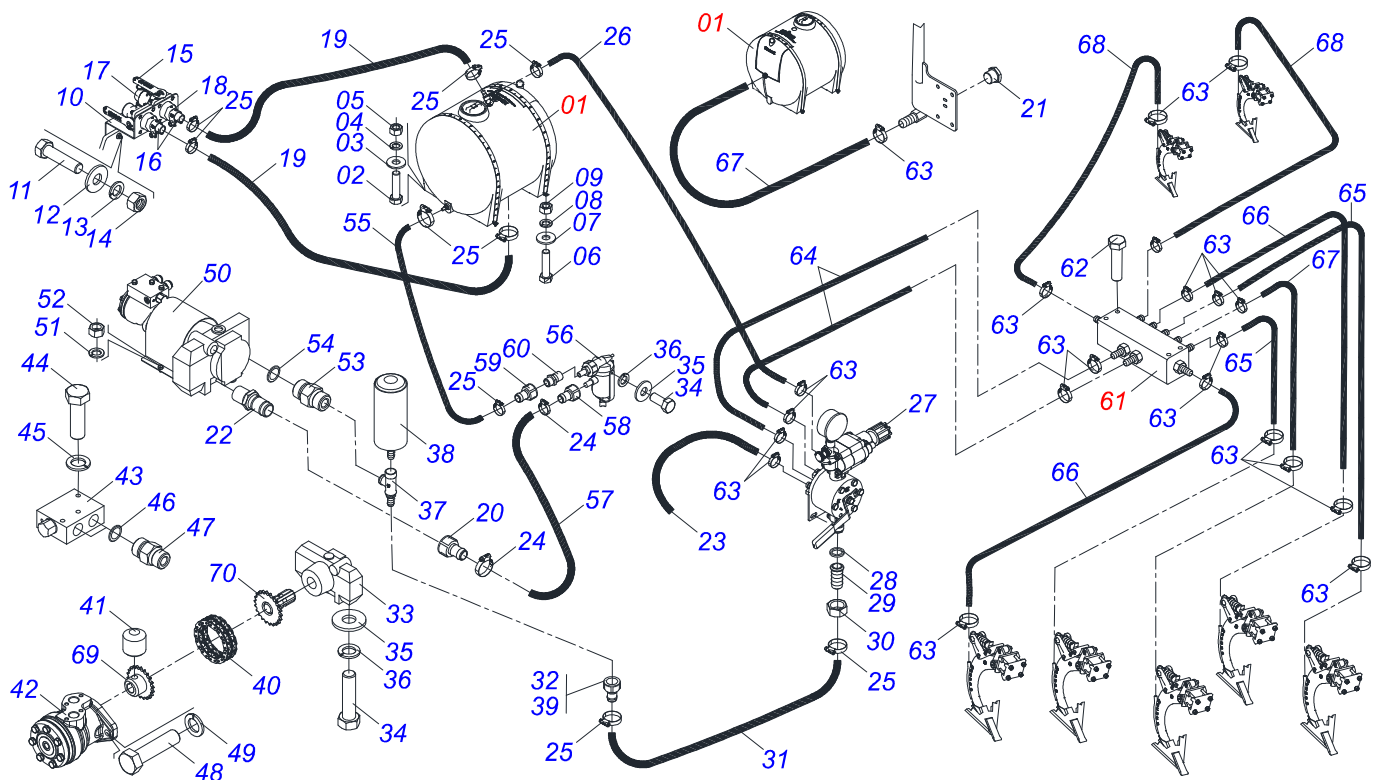


Item	Code	Description	See page	QT
01	0503016227	FLOW DIVIDING VALVE		01
02	0503011109	2-119 N 3006-9B O'RING		03
03	0521014704	HOSE NIPPLE 3/4 UNF		03



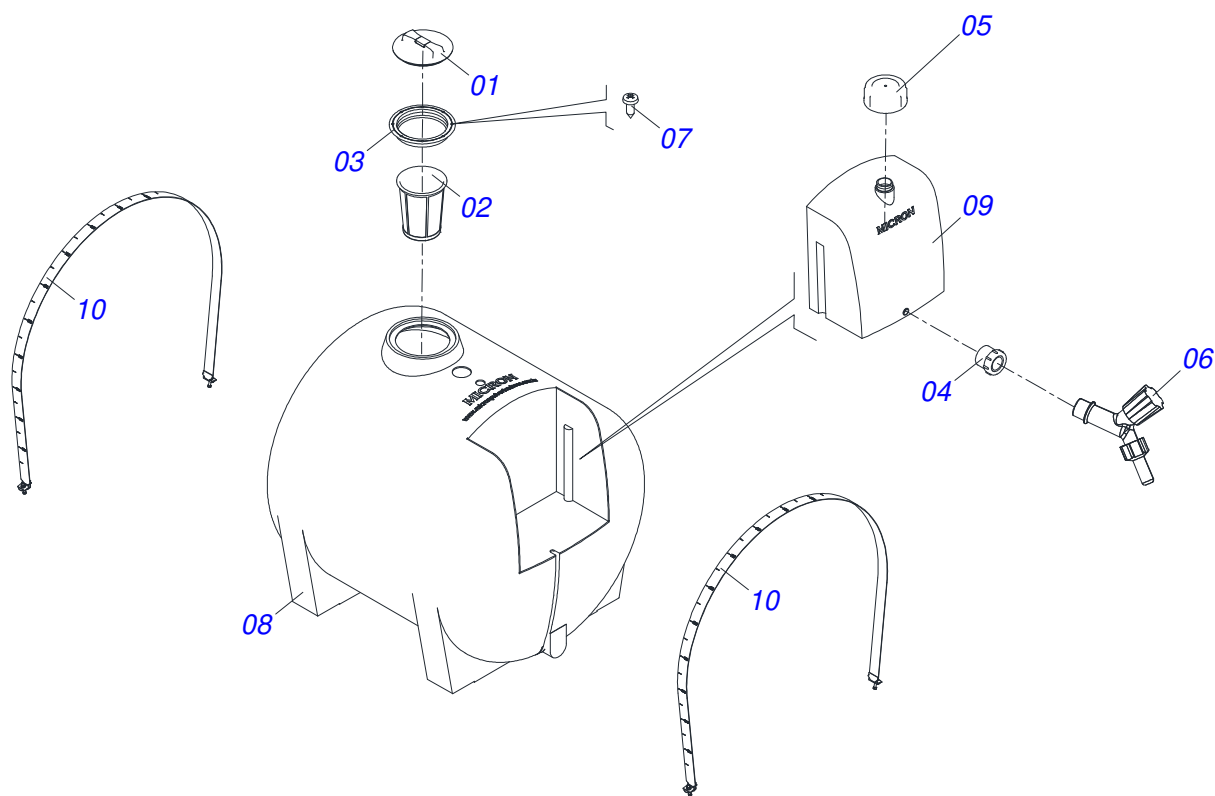
Item	Code	Description	See page	QT
01	0511058936	RESERVOIR ASSEMBLY	26	01
02	0501010422	BOLT 5/8 UNC X 6.1/2 CS G.5 ZN		04
03	0501012140	FLAT WASHER		04
04	0503010027	5/8 SPRING WASHER		04
05	0503010013	5/8 NUT		04
06	0503010920	1/2 UNC X 1.1/2 C S G.5 ZN BOLT		04
07	0501013519	FLAT WASHER		04
08	0503010019	1/2" SPRING WASHER		04
09	0503010060	1/2 UNC G.5 ZN HEX NUT		04
10	0581012807	SUPPORT FAST		01
11	0501011532	3/8" X 1-3/4" BOLT		02
12	0501010984	10,50 X 27 X 3,00 FLAT WASHER		02
13	0503010025	3/8 SPRING WASHER		02
14	0503010026	3/8" NUT		02
15	0503014972	VALVE		02
16	0503014975	POINT		02
17	0503016180	COUPLING FEMALE		01
18	0503014284	CLAMP		04
19	0581012947	1.1/2 X1350 HOSE AB-AB		02
20	0503013972	CONNECTION		01
21	0571012216	ADAPTER		01
22	0503013968	3/4 X 1 1G21769 NIPPLE		01
23	0571013297	HOSE 1/2 X 1500 AB-AB		02
24	0503010296	CLAMP		02
25	0503013973	22 X 32 CLAMP		08
26	0581012944	HOSE 3/4		01
27	0503013908	COMMAND JACTO		01
28	0503013976	GASKET		01
29	0571010261	HOSE COUPLING		01
30	0503013974	NUT		01
31	0551014211	HOSE		01

Item	Code	Description	See page	QT
32	0503014257	POINT		01
33	0503013907	PUMP		01
34	0503010365	BOLT 5/16 UNC X 1.1/4 C S G.5 ZN		04
35	0501010984	10,50 X 27 X 3,00 FLAT WASHER		04
36	0503010179	LOCK WASHER 5/16 ZN 1K01528		04
37	0503017453	TE		01
38	0503014740	CAMPING COMPENSATOR JACTO		01
39	0503014257	POINT		01
40	0503015425	CHAIN		01
41	0503011136	BOLT 1/2 UNC X 1/2 S C S I 12.9		01
42	0503015422	MOTOR		01
43	0503062674	BLOCK		01
44	0503015149	M8 X 1,25 X 50 BOLT		03
45	0503014371	M8 SPRING WASHER		03
46	0503010045	O'RING		02
47	0551011253	R1.1/16 JICX7/8 SAE S1.1/8X50 NIPPLE		02
48	0503010920	1/2 UNC X 1.1/2 C S G.5 ZN BOLT		02
49	0503010019	1/2" SPRING WASHER		02
50	0551018434	PROTECTION		01
51	0503010143	1/4" SPRING WASHER		02
52	0503010144	1/4" NUT		02
53	0503011275	1/2" X 3/4" NIPPLE		02
54	0503012905	2113 O'RING		02
55	0571013303	1 X 1700 AB-AB FLEX HOSE SPIRAL		01
56	0503013906	FILTER		01
57	0581012946	1" FLEX HOSE SPIRAL		01
58	0503013972	CONNECTION		01
59	0571012216	ADAPTER		01
60	0503013968	3/4 X 1 1G21769 NIPPLE		01
61	0511059272	5-WAY HERBICIDE DISTRIBUTOR ASSEMBLY	27	01
62	0503018506	5/16 UNC UNC BOLT		04
63	0503014255	14 X 22 CLAMP		14
64	0571013297	HOSE 1/2 X 1500 AB-AB		02
65	0571013301	1/2" X 2500 AB-AB HOSE		02
66	0571013298	1/2" X 1600 AB-AB HOSE		02
67	0571013300	1/2" X 94" AB-AB SANSUY ORANGE HOSE		02
68	0521060386	COUPLING MOTOR		01
69	0521067378	COUPLING		01

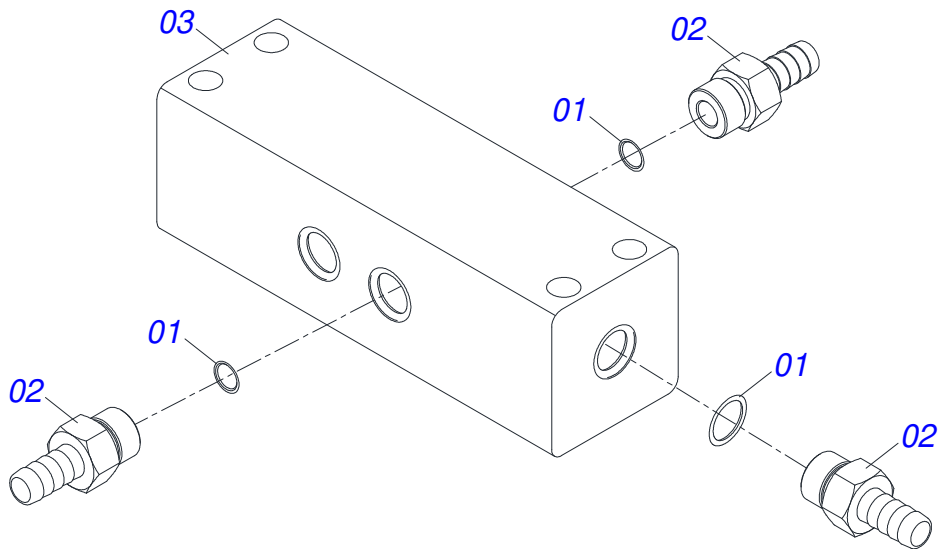


Item	Code	Description	See page	QT
01	0511058936	RESERVOIR ASSEMBLY	26	01
02	0501010422	BOLT 5/8 UNC X 6.1/2 CS G.5 ZN		04
03	0501012140	FLAT WASHER		04
04	0503010027	5/8 SPRING WASHER		04
05	0503010013	5/8 NUT		04
06	0503010920	1/2 UNC X 1.1/2 C S G.5 ZN BOLT		04
07	0501013519	FLAT WASHER		04
08	0503010019	1/2" SPRING WASHER		04
09	0503010060	1/2 UNC G.5 ZN HEX NUT		04
10	0581012807	SUPPORT FAST		01
11	0501011532	3/8" X 1-3/4" BOLT		02
12	0501010984	10,50 X 27 X 3,00 FLAT WASHER		02
13	0503010025	3/8 SPRING WASHER		02
14	0503010026	3/8" NUT		02
15	0503014972	VALVE		02
16	0503014975	POINT		02
17	0503016180	COUPLING FEMALE		01
18	0503014284	CLAMP		04
19	0571013622	1.1/2 X 1800 AB-AB HOSE		02
20	0503013972	CONNECTION		01
21	0571012216	ADAPTER		01
22	0503013968	3/4 X 1 1G21769 NIPPLE		01
23	0551016275	1/2" X 1800 AB-AB HOSE CLAMP		01
24	0503010296	CLAMP		02
25	0503013973	22 X 32 CLAMP		08
26	0581012944	HOSE 3/4		01
27	0503013908	COMMAND JACTO		01
28	0503013976	GASKET		01
29	0571010261	HOSE COUPLING		01
30	0503013974	NUT		01
31	0551014211	HOSE		01

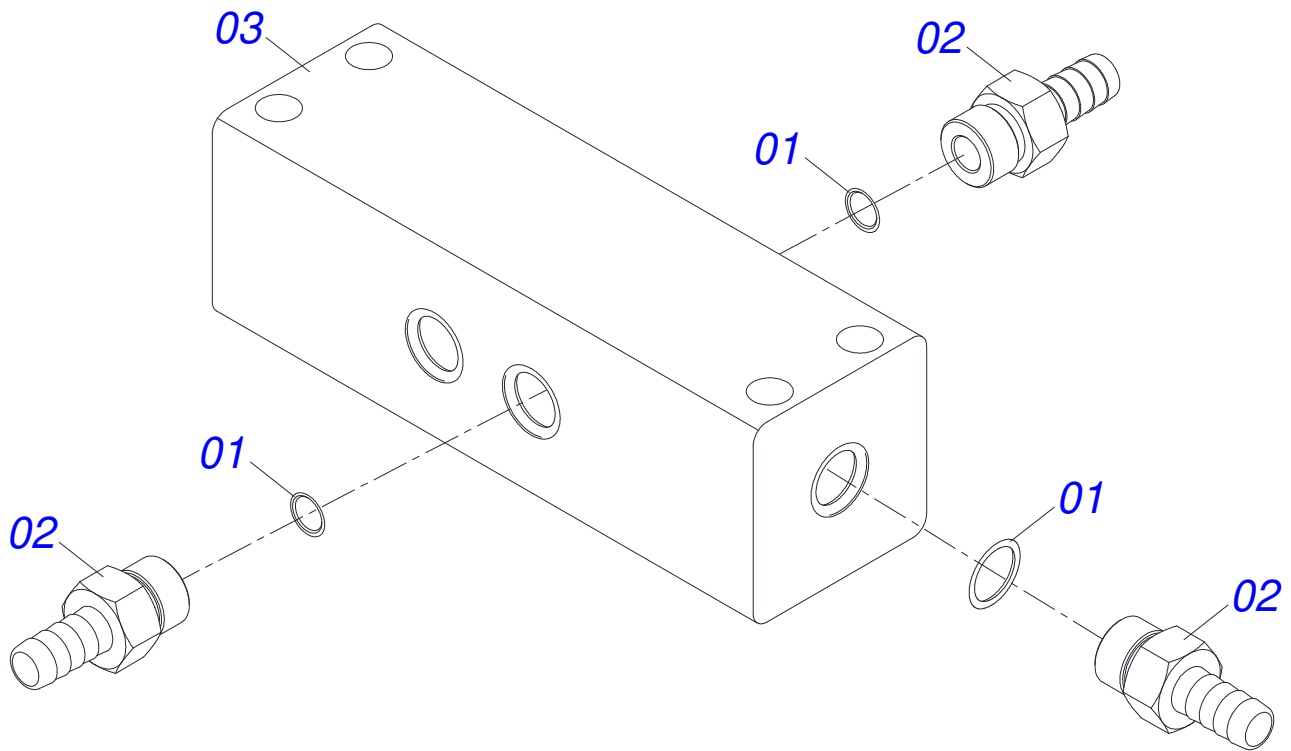
Item	Code	Description	See page	QT
32	0503014257	POINT		01
33	0503013907	PUMP		01
34	0503010365	BOLT 5/16 UNC X 1.1/4 C S G.5 ZN		04
35	0501010984	10,50 X 27 X 3,00 FLAT WASHER		04
36	0503010179	LOCK WASHER 5/16 ZN 1K01528		04
37	0503017453	TE		01
38	0503014740	CAMPING COMPENSATOR JACTO		01
39	0503014257	POINT		01
40	0503015425	CHAIN		01
41	0503011136	BOLT 1/2 UNC X 1/2 S C S I 12.9		01
42	0503015422	MOTOR		01
43	0503062674	BLOCK		01
44	0503015149	M8 X 1,25 X 50 BOLT		03
45	0503014371	M8 SPRING WASHER		03
46	0503010045	O'RING		02
47	0551011253	R1.1/16 JICX7/8 SAE S1.1/8X50 NIPPLE		02
48	0503010920	1/2 UNC X 1.1/2 C S G.5 ZN BOLT		02
49	0503010019	1/2" SPRING WASHER		02
50	0551018434	PROTECTION		01
51	0503010143	1/4" SPRING WASHER		02
52	0503010144	1/4" NUT		02
53	0503011275	1/2" X 3/4" NIPPLE		02
54	0503012905	2113 O'RING		02
55	0571013303	1 X 1700 AB-AB FLEX HOSE SPIRAL		01
56	0503013906	FILTER		01
57	0581012946	1" FLEX HOSE SPIRAL		01
58	0503013972	CONNECTION		01
59	0571012216	ADAPTER		01
60	0503013968	3/4 X 1 1G21769 NIPPLE		01
61	0521046320	7-WAY HERBICIDE DISTRIBUTOR ASSEMBLY	28	01
62	0503018506	5/16 UNC UNC BOLT		04
63	0503014255	14 X 22 CLAMP		14
64	0571013297	HOSE 1/2 X 1500 AB-AB		02
65	0551014209	HOSE 1/2 X 2300 AB-AB SANSUY ORANGE		01
66	0581012945	HOSE		02
67	0581011999	HOSE 1/2 X 3300 AB-AB		02
68	0581012000	HOSE 1/2 X 4300 AB-AB		02
69	0521060386	COUPLING MOTOR		01
70	0521067378	COUPLING		01



Item	Code	Description	See page	QT
01	0503017949	COVER TUBE		01
02	0503017974	SCREEN NOZZLE TANK		01
03	0503017997	WHEEL		01
04	0503018032	ADAPTER		01
05	0503018517	COVER TANK		01
06	0503018694	WATER TAP		01
07	0503018828	BOLT		08
08	0581014554	TANK		01
09	0581014553	TANK		01
10	0503018512	ASSEMBLY		02



Item	Code	Description	See page	QT
01	0503010190	2-114 N 3006-9B O'RING		07
02	0581011539	ADAPTER		07
03	0581011943	DISTRIBUTOR FERTILIZER		01



Item	Code	Description	See page	QT
01	0503010190	2-114 N 3006-9B O'RING		09
02	0581011539	ADAPTER		09
03	0581011538	DISTRIBUTOR FERTILIZER		01



ANNOTATION





civemasa

Technical Publications | Elaboration and Revision

LUIZ CANDIDO

www.civemasa.com.br

