

DISK HARROWS

GVP HYDRAULIC - 20D

Code: 0501093504

Series: S-0899

Revision: 00

Revision Date: MARÇO/2023

PARTS CATALOGUE

CIVEMASA

A solid orange horizontal bar is positioned at the top left of the page, above the "PRODUCTS" heading.

PRODUCTS

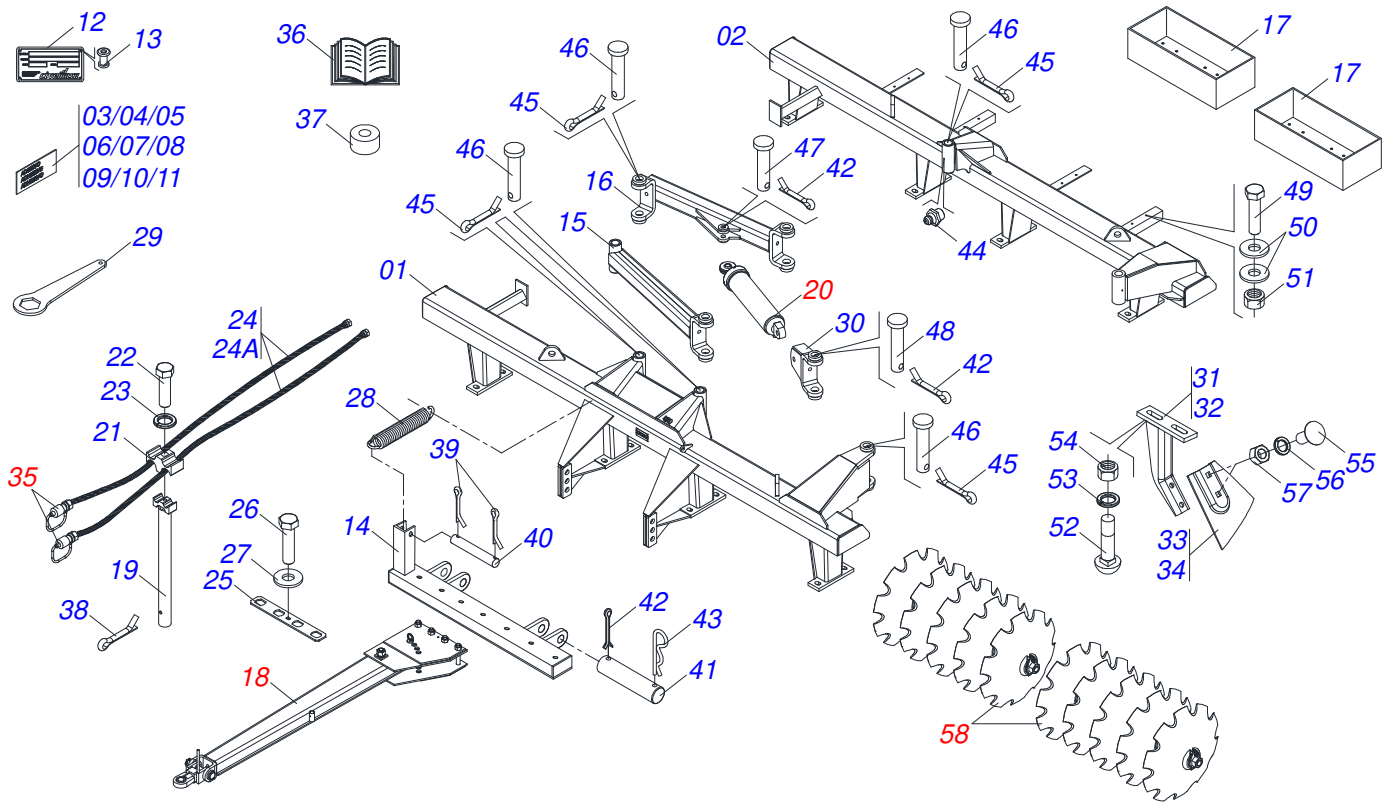
Code	Description
0120010001	GVP 20X36X12,0 DR DM HID E 2.1/2 6450556 S-0899

ATTENTION: IMPORTANT

CIVEMASA reserves the right to improve and/or modify the technical features of its products, without obligation to do the same with those products already sold and without prior knowledge of the dealer or the customer. The photos are only illustrative.

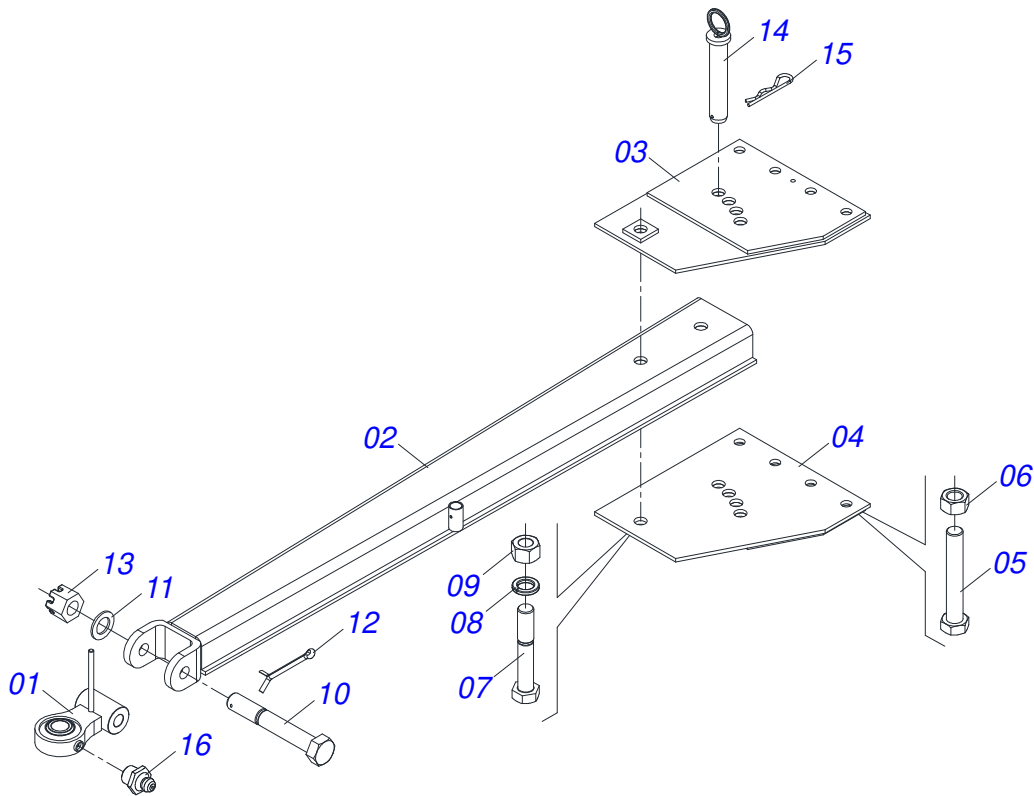
INDEX

0909096660	ASSY FRAME	1
0511052437	ASSY AXLE	2
0501048683	HIDRAULIC CYLINDER	3
0501053834	MALE QUICK COUPLER	4
0909096683	ASSY DISC GANG - 20D	5
0501048621	OIL BEARING	6

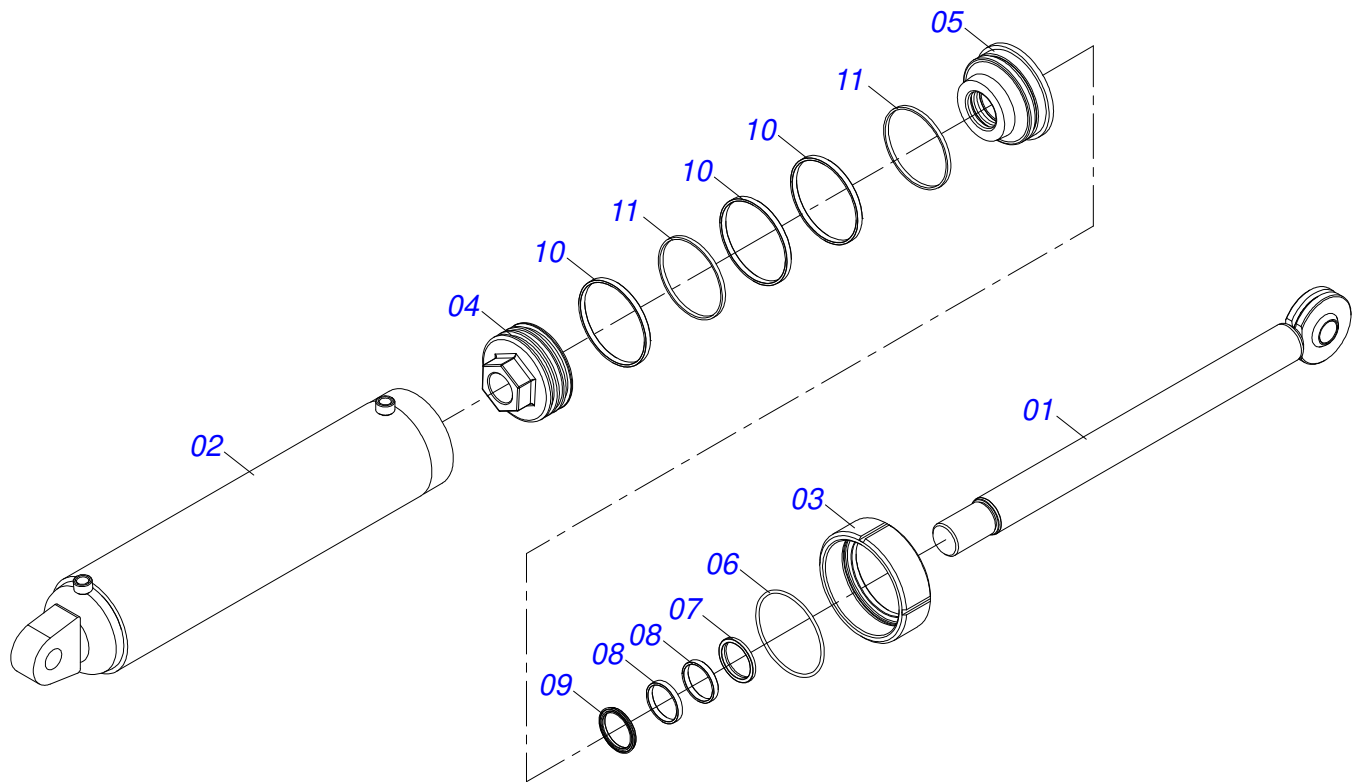


Item	Code	Description	See page	QT
01	0511060381	FRONT FRAME		01
02	0511060382	REAR FRAME		01
03	0503034438	ADHESIVE LABEL		01
04	0503031428	READ MANUAL DECAL		01
05	0503031738	ADHESIVE LABEL		01
06	0503033038	DANGER SIGN		02
07	0503031807	ADHESIVE LABEL		01
08	0503033539	GVP EMBLEM		02
09	0503033647	APPROVED BADGE		01
10	0503033241	CIVEMASA 100 X 400 BADGE		02
11	0503031739	ADHESIVE LABEL		01
12	0503034004	ALUMINUM IDENTIFICATION LABEL		01
13	0503010001	3.2 X 5.5 RIVET		04
14	0511060383	TRACTION BAR 51600A 3453321		01
15	0521066309	FRONT ARTICULATED ARM		01
16	0511060384	ARM (GNV)		01
17	0511060170	WEIGHT BOX		02
18	0511052437	ASSY AXLE	2	01
19	0511060205	SUPPORT HOSE CNS 20104N		01
20	0501048683	HIDRAULIC CYLINDER	3	01
21	0502012702	BODY SUPPORT CLAMP		02
22	0503012555	SCREW 7/16 UNC X 2 CS RT G.7 ZN		02
23	0503010180	7/16" SPRING WASHER		02
24	0501053231	HOSE SET		01
24A	0501080802	3/8" X 244" TM-TM HOSE		02
25	0521013774	GVMF LOCK		01
26	0501010108	5/8" X 1" BOLT		01
27	0501012140	FLAT WASHER		01
28	0503031511	SPRING		01
29	0521013902	WRENCH NUT		02
30	0511060380	SUPPORT		01

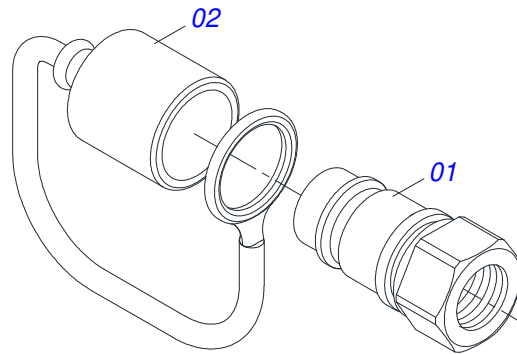
Item	Code	Description	See page	QT
31	0511060304	FRONT SUPPORT		10
32	0511060305	REAR SUPPORT		10
33	0521013678	FRONT CLEANER		10
34	0521013679	REAR CLEANER		10
35	0501053834	MALE QUICK COUPLER	4	02
36	0511032617	BAG WITH INSTRUCTION MANUAL		01
37	0503013171	SEALING		01
38	0503012215	5/16" X 2-1/2" COTTERPIN		01
39	0503010362	1/8 X 1.1/4 COTTERPIN		02
40	0521014140	HEADLESS CLEVIS PIN		01
41	0521013704	HEADLESS CLEVIS PIN		02
42	0503010010	1/4" X 2.1/2" COTTERPIN		04
43	0503031479	STAPLE		02
44	0503010002	1800 GREASE FITTING		06
45	0503010074	3/8 X 0,15" COTTERPIN		05
46	0511060145	PIN		05
47	0521014207	CLEVIS PIN		01
48	0521014208	CLEVIS PIN		01
49	0503010920	1/2 UNC X 1.1/2 C S G.5 ZN BOLT		08
50	0511017302	FLAT WASHER 13,50 X 32,50 X 3,0 ZN		16
51	0503010060	1/2 UNC G.5 ZN HEX NUT		08
52	0503012180	FRENCH 3/4" X 2 BOLT		40
53	0503010023	3/4" SPRING WASHER		40
54	0503012183	SNC 3/4" ZIN 1K03097 NUT		40
55	0503012195	5/8" NUT		40
56	0503010027	5/8 SPRING WASHER		40
57	0503010013	5/8 NUT		40
58	0909096683	ASSY DISC GANG - 20D	5	01



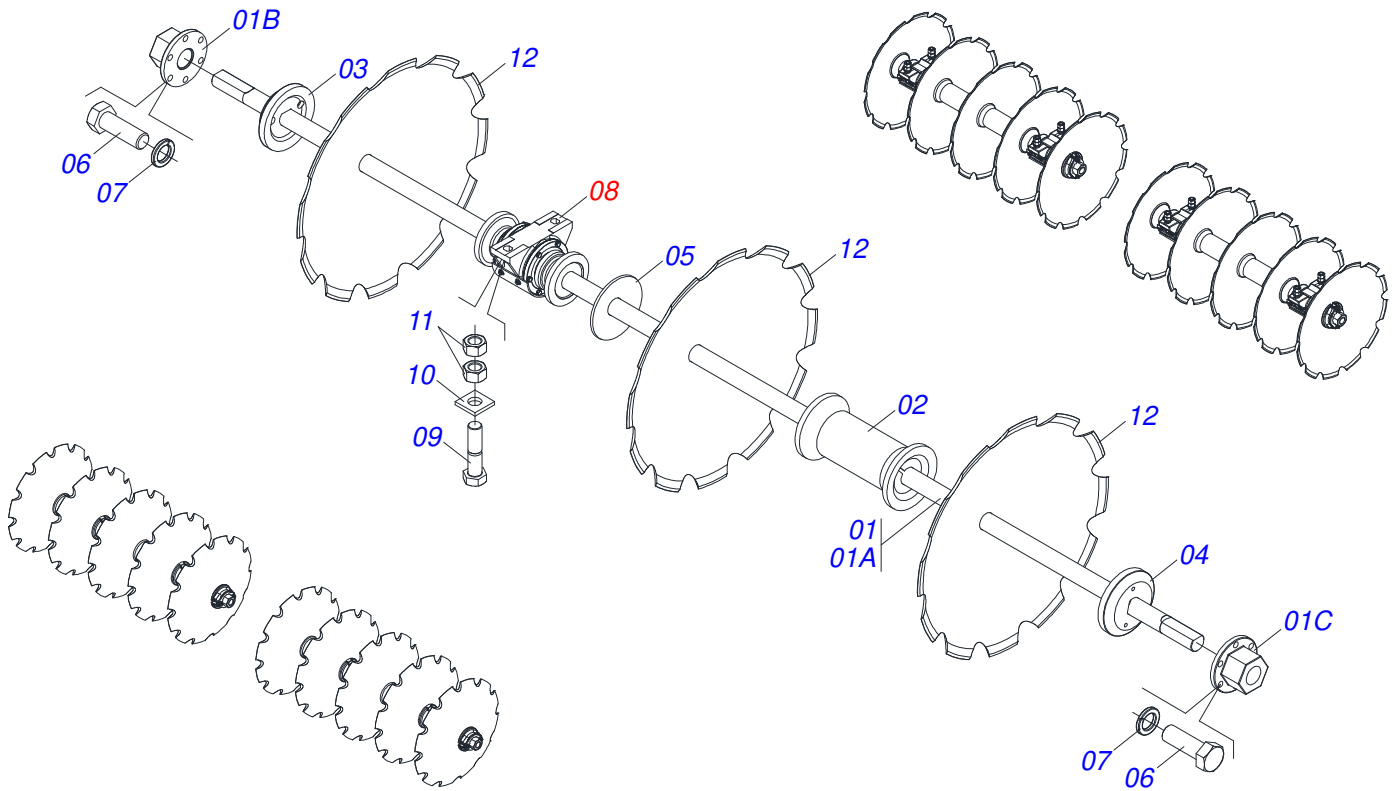
Item	Code	Description	See page	QT
01	0521068888	TRACTOR HITCH BODY		01
02	0511060161	AXLE ASSY		01
03	0511060171	PLATE HITCH		01
04	0511060172	PLATE HITCH		01
05	0503012244	1-1/4" X 7-3/4" BOLT		04
06	0503012181	1.1/4" NUT		04
07	0503012258	1-1/2" X 9" BOLT		01
08	0503010069	1.1/2" SPRING WASHER		01
09	0503012259	UNC1.1/2" ZIN 1K03155 NUT		01
10	0521013739	BOLT HARNESS		01
11	0501012916	FLAT WASHER 40 X 66 X 4,75 ZN		01
12	0503012213	1/4" COTTERPIN		01
13	0502011592	CASTLE NUT		01
14	0511060146	PIN FIXER		01
15	0503031479	STAPLE		01
16	0503010002	1800 GREASE FITTING		01



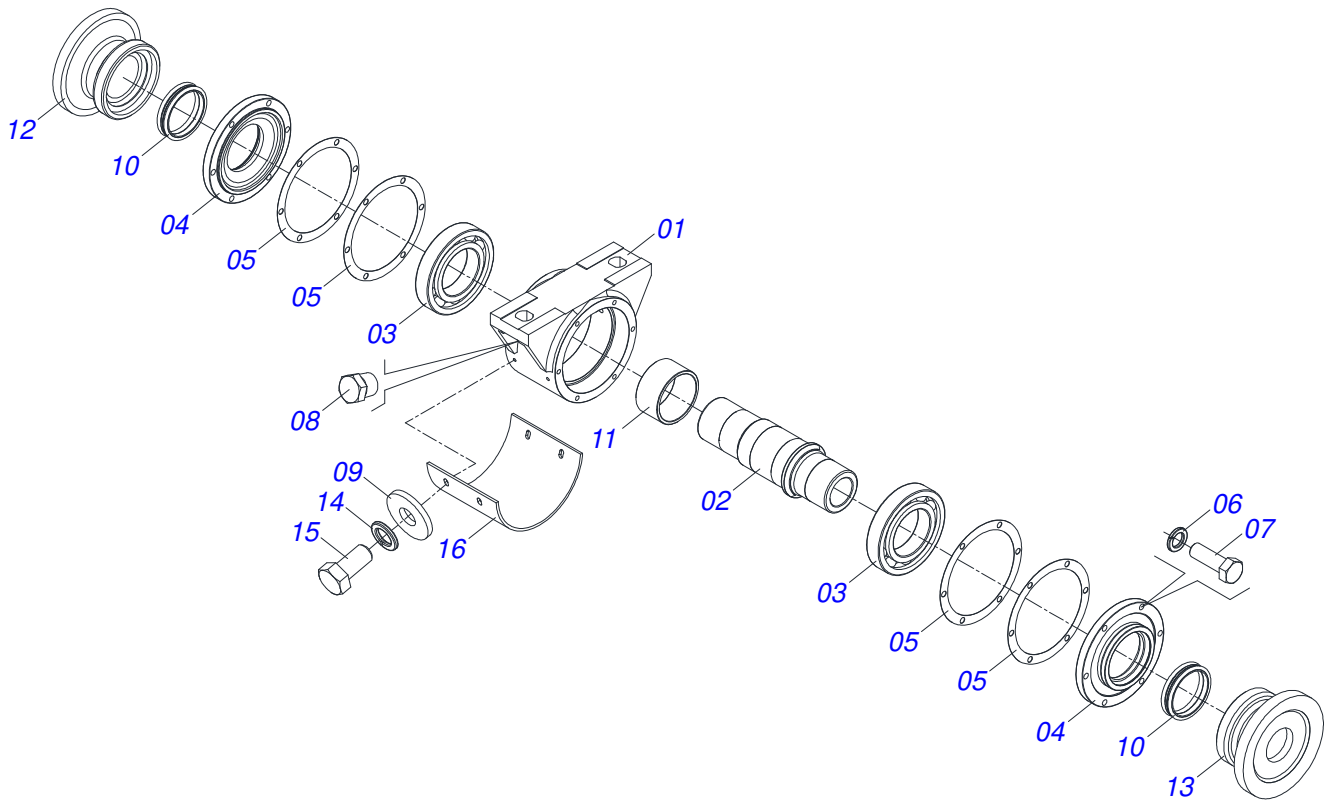
Item	Code	Description	See page	QT
01	0511060147	ROD ASSY		01
02	0511060148	ASSY CASE		01
03	0541010615	MOVABLE COVER		01
04	0502011586	PISTON		01
05	0502011799	TURNBUCLE GUIDE		01
06	0503010704	2-357 N 3006-9B O'RING		01
07	0503010287	D-2500 SCRAPER RING		01
08	0503012497	RING (TEFLON)		02
09	0503012501	MOLYTHANE PACKING 2500-2500		01
10	0503012825	RING (TEFLON) CH 61100		03
11	0503012791	RUBBER RING		02
12	0511034337	CYLINDER REPAIR KIT (0501048683)		01



Item	Code	Description	See page	QT
01	0503011627	MALE QUICK COUPLER AGR 1/2 NPT		01
02	0503011882	MALE QUICK COUPLER CAP		01



Item	Code	Description	See page	QT
01	0511050263	2.1/2 UNC X 2100 AXLE WITH NUTS		04
01A	0521013899	3450461 AXLE		04
01B	0502011659	3452378 AXLE NUT		04
01C	0502011660	3452387 AXLE NUT		04
02	0502011664	3454468 SPACER		08
03	0502011669	OUTER FLANGE		04
04	0502011670	INNER FLANGE		04
05	0521013900	3451204 CHOCK		08
06	0503011267	5/8 UNC X 1.1/2 C S G.5 ZN BOLT		08
07	0503010027	5/8 SPRING WASHER		08
08	0501048621	OIL BEARING	6	08
09	0503012564	1-1/4" X 5-1/4" BOLT		16
10	0521013901	WASHER		16
11	0503012181	1.1/4" NUT		32
12	0602048062	DR 36 X 12 C130AF04FR2.9/16 12R TAT/CV		20



Item	Code	Description	See page	QT
01	0502011811	MR-451 3503106 BODY		01
02	0502011704	BEARING CENTER		01
03	0503012709	6222 C3 ROLLER BEARING		02
04	0502011677	BEARING COVER		02
05	0503031499	BEARING JOINT		04
06	0503011440	SPRING WASHER		12
07	0503010920	1/2 UNC X 1.1/2 C S G.5 ZN BOLT		12
08	0503010856	OIL PLUG		02
09	0501010984	10,50 X 27 X 3,00 FLAT WASHER		04
10	0503030029	RETAINER LP JB-259		02
11	0502011693	SPACER		01
12	0502011702	WASHER CONVEX		01
13	0502011701	WASHER CONCAVE		01
14	0503010025	3/8 SPRING WASHER		04
15	0503011334	BOLT 3/8 UNC X 3/4 CS G.5 ZN		04
16	0521014353	PLATE PROTECTION		01



civemasa

Technical Publications | Elaboration and Revision
LEONARDO JOSÉ DA SILVA SOUZA

www.civemasa.com.br

