

DISK HARROWS

**GASPCRC-HD 9017 - 2.1/2" AXLE -
MECHANICAL ARTICULATED - 32/34/36D**

Code: 0501093501
Series: S-1120
Revision: 00
Revision Date: MARÇO/2023

**PARTS
CATALOGUE**

CIVEMASA



PRODUCTS

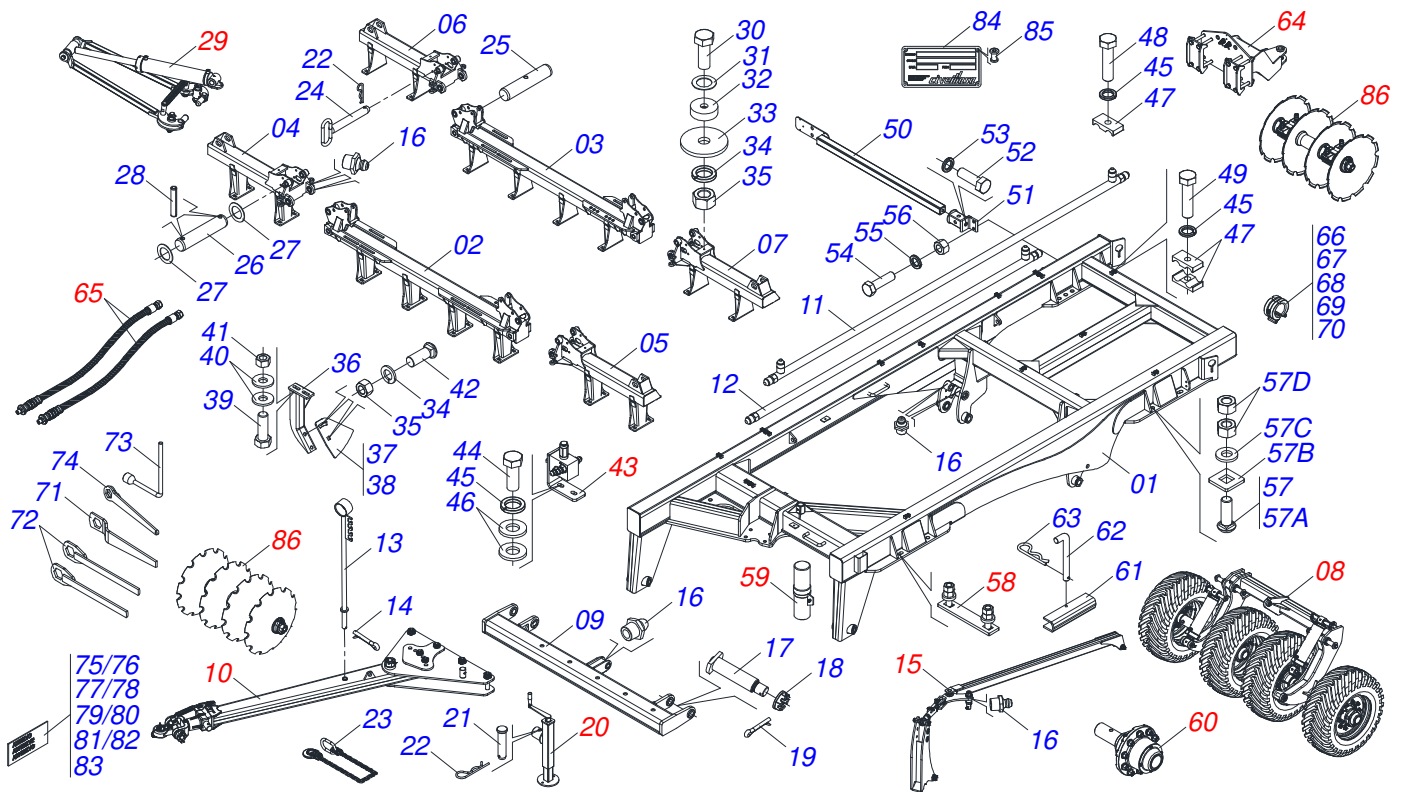
| Code | Description |
|------------|--|
| 0121510172 | GASPCRC HD9017 32X36X12 DR DM MEC E2.1/2 ESP S1120 |
| 0121510170 | GASPCRC HD9017 32X36X12 DR DM MEC E2.1/2 ESP S1120 |
| 0121510171 | GASPCRC HD9017 32X40X12 DR DM MEC E2.1/2 ESP S1120 |
| 0121510173 | GASPCRC HD9017 32X40X12 DR DM MEC E2.1/2 ESP S1120 |
| 0121510174 | GASPCRC HD9017 34X36X12 DR DM MEC E2.1/2 ESP S1120 |
| 0121510176 | GASPCRC HD9017 34X36X12 DR DM MEC E2.1/2 ESP S1120 |
| 0121510177 | GASPCRC HD9017 34X40X12 DR DM MEC E2.1/2 ESP S1120 |
| 0121510175 | GASPCRC HD9017 34X40X12 DR DM MEC E2.1/2 ESP S1120 |
| 0121510178 | GASPCRC HD9017 36X36X12 DR DM MEC E2.1/2 ESP S1120 |
| 0121510180 | GASPCRC HD9017 36X36X12 DR DM MEC E2.1/2 ESP S1120 |
| 0121510181 | GASPCRC HD9017 36X40X12 DR DM MEC E2.1/2 ESP S1120 |
| 0121510179 | GASPCRC HD9017 36X40X12 DR DM MEC E2.1/2 ESP S1120 |

ATTENTION: IMPORTANT

CIVEMASA reserves the right to improve and/or modify the technical features of its products, without obligation to do the same with those products already sold and without prior knowledge of the dealer or the customer. The photos are only illustrative.

INDEX

| | | | |
|------------|--|-------|----|
| 0909096678 | ASSY FRAME - 32/34/36D | | 1 |
| 0909096659 | WHEEL SET | | 2 |
| 0521058003 | 2" X 5" X 25" X 13" HIDRAULIC CYLINDER | | 3 |
| 0531051144 | WHEEL WITHOUT TIRE | | 4 |
| 0521058810 | WHEEL WITHOUT TIRE | | 5 |
| 0501111042 | WHEEL CASE WITH SCREW | | 6 |
| 0503063281 | RIGHT WHEEL | | 7 |
| 0503063282 | LEFT WHEEL | | 8 |
| 0521041823 | ASSY TRACTION BAR (PIN 3) | | 9 |
| 0531040171 | ASSY HITCH | | 10 |
| 0909092130 | ASSY DRAWBAR ARTICULATOR | | 11 |
| 0511059199 | STABILIZER BAR REGULATOR EXTENSOR | | 12 |
| 0511048088 | DRAWBAR JACK | | 13 |
| 0909096384 | ARTICULATOR ASSEMBLY | | 14 |
| 0511050181 | LH FRONT/RH REAR ARTICULACION | | 15 |
| 0511050182 | RH FRONT/LH REAR ARTICULACION | | 16 |
| 0511059197 | 3" X 4" X 42" X 28" HYDRAULIC CYLINDER | | 17 |
| 0511059196 | ASSY VALVE | | 18 |
| 0531040021 | FIXING ASSEMBLY | | 19 |
| 0521052434 | ASSY PORT MANUAL INSTRUCCION | | 20 |
| 0531040022 | REAR HITCH SET | | 21 |
| 0501053835 | FEMALE QUICK COUPLER | | 22 |
| 0909096663 | FRAMES ARTICULATION HYDRAULIC CIRCUIT | | 23 |
| 0909096676 | WHEEL LIFTING HYDRAULIC CIRCUIT | | 24 |
| 0501053834 | MALE QUICK COUPLER | | 25 |
| 0909096669 | ASSY DISCS SECTION - 32/34/36D | | 26 |
| 0521041291 | OIL 16" X 2.1/2" BEARING ASSY | | 27 |

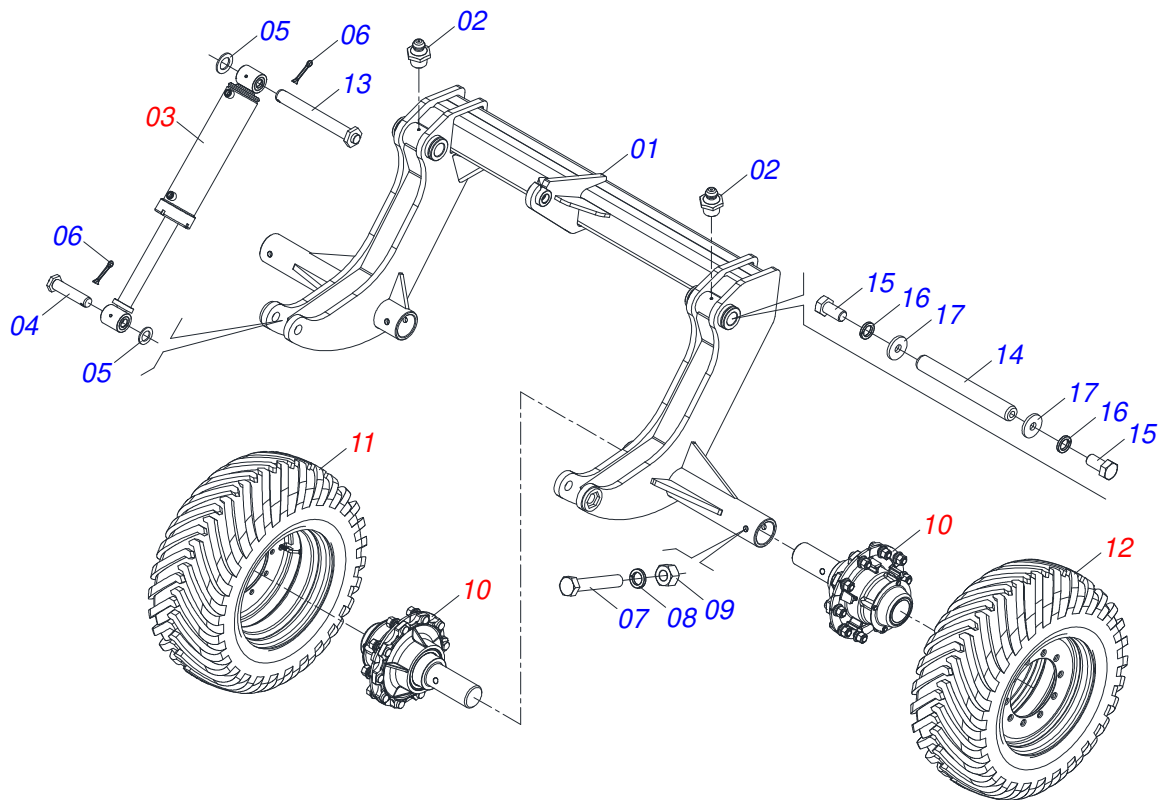


| Item | Code | Description | See page | 032 | 034 | 036 |
|------|------------|---------------------------------|----------|-----|-----|-----|
| 01 | 0531060848 | FRAME | | 001 | 001 | 001 |
| 02 | 0531061777 | FRONT FRAME - 32/36D | | 001 | 000 | 001 |
| 02. | 0531061775 | REAR FRAME - 34D | | 000 | 001 | 000 |
| 03 | 0531061776 | REAR FRAME -32/36D | | 001 | 000 | 001 |
| 03. | 0531061774 | REAR FRAME - 34D | | 000 | 001 | 000 |
| 04 | 0531061792 | RIGHT SIDE FRONT FRAME - 32/34D | | 001 | 001 | 000 |
| 04. | 0531061787 | RIGHT SIDE FRONT FRAME - 36D | | 000 | 000 | 001 |
| 05 | 0531061791 | LEFT SIDE FRONT FRAME - 32/34D | | 001 | 001 | 000 |
| 05. | 0531061616 | LEFT SIDE FRONT FRAME - 36D | | 000 | 000 | 001 |
| 06 | 0531061790 | RIGHT SIDE REAR FRAME - 32/34D | | 001 | 001 | 000 |
| 06. | 0531061788 | RIGHT SIDE REAR FRAME - 36D | | 000 | 000 | 001 |
| 07 | 0531061789 | LEFT SIDE REAR FRAME - 32/34D | | 001 | 001 | 000 |
| 07. | 0531061564 | LEFT SIDE REAR FRAME - 36D | | 000 | 000 | 001 |
| 08 | 0909096659 | WHEEL SET | 2 | 001 | 001 | 001 |
| 09 | 0521068250 | HITCH BAR | | 001 | 001 | 001 |
| 10 | 0521041823 | ASSY TRACTION BAR (PIN 3) | 9 | 001 | 001 | 001 |
| 11 | 0521066126 | DISTRIBUTOR OIL TUBE | | 002 | 002 | 002 |
| 12 | 0521066937 | OIL DISTRIBUTOR DUCT | | 002 | 002 | 002 |
| 13 | 0531061120 | HOSE SUPPORT | | 001 | 001 | 001 |
| 14 | 0503010523 | 1/4" X 2" COTTERPIN | | 001 | 001 | 001 |
| 15 | 0909092130 | ASSY DRAWBAR ARTICULATOR | 11 | 001 | 001 | 001 |
| 16 | 0503010002 | 1800 GREASE FITTING | | 029 | 029 | 029 |
| 17 | 0521063989 | 50,8 X 380 AXLE WITH LOCK | | 002 | 002 | 002 |
| 18 | 0501011301 | 1.1/2 UNC 6FPP 2.5/16 NUT | | 002 | 002 | 002 |
| 19 | 0503010010 | 1/4" X 2.1/2" COTTERPIN | | 002 | 002 | 002 |
| 20 | 0511048088 | DRAWBAR JACK | 13 | 001 | 001 | 001 |
| 21 | 0561014251 | COUPLING SHAFT | | 001 | 001 | 001 |
| 22 | 0503030012 | HITCH PIN CLIP | | 005 | 005 | 005 |
| 23 | 0503019848 | SAFETY CHAIN | | 001 | 001 | 001 |
| 24 | 0521068256 | AXIS BLOCAGE 25,40 X 285 | | 004 | 004 | 004 |
| 25 | 0541016676 | 1.1/2 X 175 AXLE | | 004 | 004 | 004 |

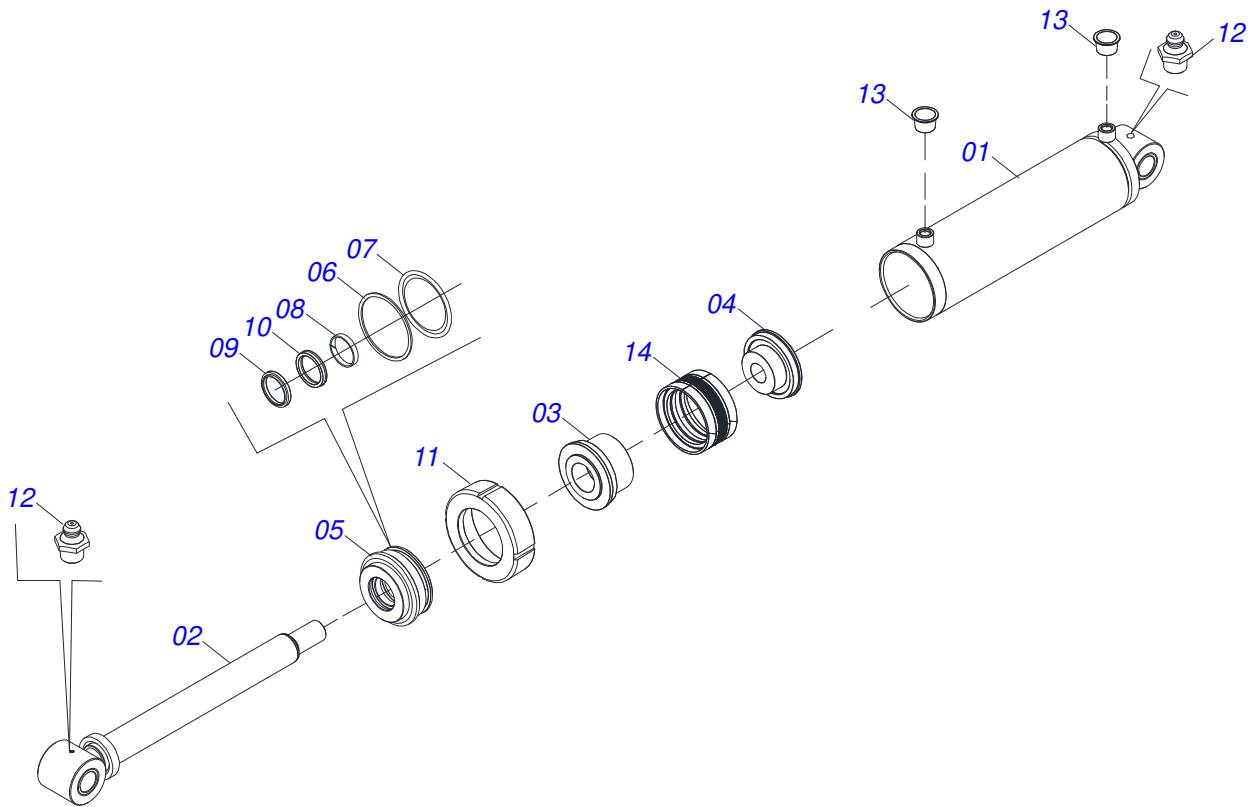
| Item | Code | Description | See page | 032 | 034 | 036 |
|------|------------|---------------------------------------|----------|-----|-----|-----|
| 26 | 0581015612 | JUNCTION SHAFT 50,90 X 452 | | 004 | 004 | 004 |
| 27 | 0511019776 | FLAT WASHER | | 008 | 008 | 008 |
| 28 | 0503011069 | 0.4" X 2.8" SPRING PIN | | 008 | 008 | 008 |
| 29 | 0909096384 | ARTICULATOR ASSEMBLY | 14 | 001 | 001 | 001 |
| 30 | 0503010233 | 5/8" X 2-1/2" BOLT | | 004 | 004 | 004 |
| 31 | 0571010265 | 16.5 X 40 X 3 FLAT WASHER | | 004 | 004 | 004 |
| 32 | 0581011153 | FRAME BEAT | | 004 | 004 | 004 |
| 33 | 0571013284 | 17.5 X 90 X 4.75 FLAT WASHER | | 004 | 004 | 004 |
| 34 | 0503010027 | 5/8 SPRING WASHER | | 068 | 072 | 076 |
| 35 | 0503010013 | 5/8 NUT | | 068 | 072 | 076 |
| 36 | 0511064771 | FRONT SCRAPER SUPPORT | | 032 | 034 | 036 |
| 37 | 0521013678 | FRONT CLEANER | | 016 | 017 | 018 |
| 38 | 0521013679 | REAR CLEANER | | 016 | 017 | 018 |
| 39 | 0501010500 | 3/4"X3"BOLT | | 064 | 068 | 072 |
| 40 | 0541010763 | FLAT WASHER | | 128 | 136 | 144 |
| 41 | 0503010014 | 3/4" HEX NUT | | 064 | 068 | 072 |
| 42 | 0503012195 | 5/8" NUT | | 064 | 068 | 072 |
| 43 | 0511059196 | ASSY VALVE | 18 | 001 | 001 | 001 |
| 44 | 0503011173 | 7/16" X 2" BOLT | | 002 | 002 | 002 |
| 45 | 0503010180 | 7/16" SPRING WASHER | | 016 | 016 | 016 |
| 46 | 0501012803 | FLAT WASHER | | 004 | 004 | 004 |
| 47 | 0502010477 | HOSE CLAMP | | 018 | 018 | 018 |
| 48 | 0503011135 | BOLT | | 012 | 012 | 012 |
| 49 | 0503011103 | 7/16" X 2-1/2" BOLT | | 002 | 002 | 002 |
| 50 | 0521066443 | SUPPORT FIXER LANTERN | | 002 | 002 | 002 |
| 51 | 0521066624 | FIXER SUPPORT LANTERN | | 002 | 002 | 002 |
| 52 | 0501010098 | 3/4" UNC BOLT | | 002 | 002 | 002 |
| 53 | 0503010023 | 3/4" SPRING WASHER | | 002 | 002 | 002 |
| 54 | 0503011082 | C1/2" X 1.3/4" SCREW | | 004 | 004 | 004 |
| 55 | 0503010019 | 1/2" SPRING WASHER | | 004 | 004 | 004 |
| 56 | 0503010060 | 1/2 UNC G.5 ZN HEX NUT | | 004 | 004 | 004 |
| 57 | 0521040349 | 1-1/4" X 5.3/4" BOLT | | 006 | 006 | 006 |
| 57A | 0501010954 | 1.1/4" X 5.3/4" BOLT | | 006 | 006 | 006 |
| 57B | 0571010449 | LOCK BOLT | | 006 | 006 | 006 |
| 57C | 0571010448 | 32,50 X 75 X 16 SLEEVE | | 006 | 006 | 006 |
| 57D | 0501010087 | 1.1/4" NUT | | 012 | 012 | 012 |
| 58 | 0531040021 | FIXING ASSEMBLY | 19 | 003 | 003 | 003 |
| 59 | 0521052434 | ASSY PORT MANUAL INSTRUCCION | 20 | 001 | 001 | 001 |
| 60 | 0521058810 | WHEEL WITHOUT TIRE | 5 | 004 | 004 | 004 |
| 61 | 0561016693 | TRANSPORT LOCK | | 002 | 002 | 002 |
| 62 | 0541016844 | FIXER LOCK | | 002 | 002 | 002 |
| 63 | 0503030285 | HITCH PIN CLIP | | 002 | 002 | 002 |
| 64 | 0531040022 | REAR HITCH SET | 21 | 001 | 001 | 001 |
| 65 | 0909096663 | FRAMES ARTICULATION HYDRAULIC CIRCUIT | 23 | 001 | 001 | 001 |
| 65. | 0909096676 | WHEEL LIFTING HYDRAULIC CIRCUIT | 24 | 001 | 001 | 001 |
| 66 | 0501047895 | 25 ROD STOP | | 004 | 004 | 004 |
| 67 | 0501047887 | 40 ROD STOP | | 002 | 002 | 002 |
| 68 | 0501047888 | 45 ROD STOP | | 002 | 002 | 002 |
| 69 | 0501047885 | 30 ROD STOP | | 002 | 002 | 002 |
| 70 | 0501047886 | 35 ROD STOP | | 002 | 002 | 002 |
| 71 | 0501011432 | 1-1/2" AND 1-5/8 GANG BOLT WRENCH | | 001 | 001 | 001 |
| 72 | 0501061044 | 2-1/8" AND 2-1/2" CABLE FLAT WRENCH | | 002 | 002 | 002 |
| 73 | 0503016137 | 1-1/4" WRENCH CABLE CYLINDER | | 001 | 001 | 001 |
| 74 | 0521062858 | 1.1/4" WRENCH NUT | | 001 | 001 | 001 |
| 75 | 0503034078 | LIFTING POINTS DECAL | | 004 | 004 | 004 |
| 76 | 0503031738 | ADHESIVE LABEL | | 003 | 003 | 003 |
| 77 | 0503031739 | ADHESIVE LABEL | | 001 | 001 | 001 |
| 78 | 0503034499 | HOSE IDENTIFICATION DECAL | | 001 | 001 | 001 |
| 79 | 0503031428 | READ MANUAL DECAL | | 001 | 001 | 001 |

| Item | Code | Description | See page | 032 | 034 | 036 |
|-------------|-------------|-------------------------------------|-----------------|------------|------------|------------|
| 80 | 0503031827 | LUBRICATE AND RETIGHTEN DAILY DECAL | | 001 | 001 | 001 |
| 81 | 0503033038 | DANGER SIGN | | 001 | 001 | 001 |
| 82 | 0503034058 | ADHESIVE LABEL | | 002 | 002 | 002 |
| 83 | 0503033237 | ADHESIVE LABEL | | 001 | 001 | 001 |
| 84 | 0503034004 | ALUMINUM IDENTIFICATION LABEL | | 001 | 001 | 001 |
| 85 | 0503010001 | 3.2 X 5.5 RIVET | | 004 | 004 | 004 |
| 86 | 0909096669 | ASSY DISCS SECTION - 32/34/36D | 26 | 001 | 001 | 001 |

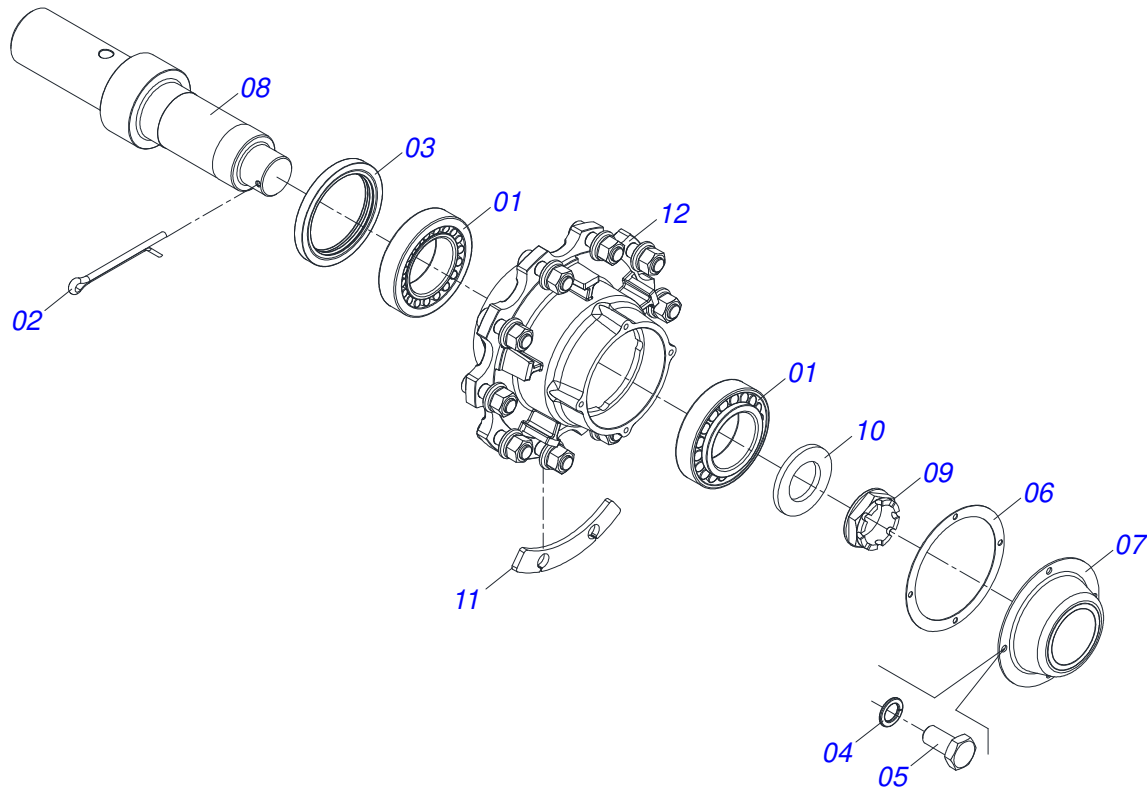
WHEEL SET



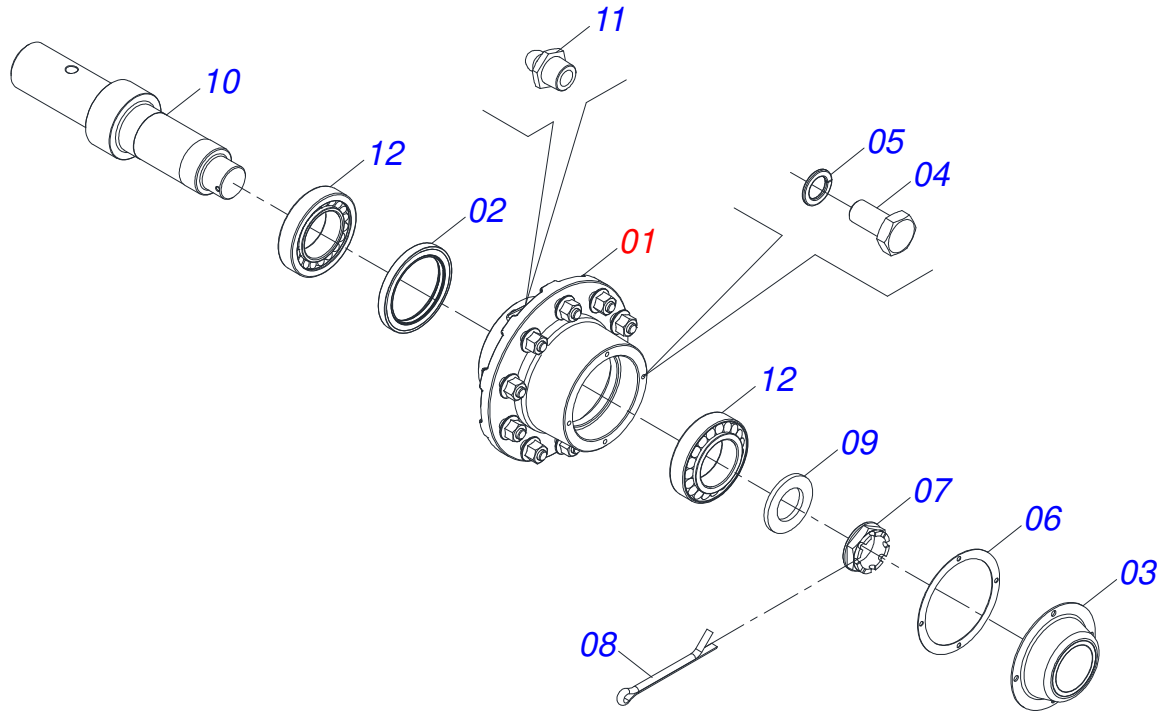
| Item | Code | Description | See page | QT |
|------|------------|--|----------|----|
| 01 | 0531060840 | WHEEL | | 01 |
| 02 | 0503010002 | 1800 GREASE FITTING | | 02 |
| 03 | 0521058003 | 2" X 5" X 25" X 13" HIDRAULIC CYLINDER | 3 | 02 |
| 04 | 0531060841 | CYLINDER AXLE | | 02 |
| 05 | 0501012916 | FLAT WASHER 40 X 66 X 4,75 ZN | | 04 |
| 06 | 0503010534 | 3/8 X 2-1/2 COTTERPIN | | 04 |
| 07 | 0503011198 | C3/4" X 6" SCREW | | 04 |
| 08 | 0503010023 | 3/4" SPRING WASHER | | 04 |
| 09 | 0503010014 | 3/4" HEX NUT | | 04 |
| 10 | 0531051144 | WHEEL WITHOUT TIRE | 4 | 04 |
| 11 | 0503063281 | RIGHT WHEEL | 7 | 02 |
| 12 | 0503063282 | LEFT WHEEL | 8 | 02 |
| 13 | 0531060842 | CYLINDER AXLE | | 02 |
| 14 | 0531018062 | COUPLING SHAFT | | 02 |
| 15 | 0503011250 | 1" X 2" BOLT | | 04 |
| 16 | 0503010012 | 1" SPRING WASHER | | 04 |
| 17 | 0521011565 | FLAT WASHER | | 04 |



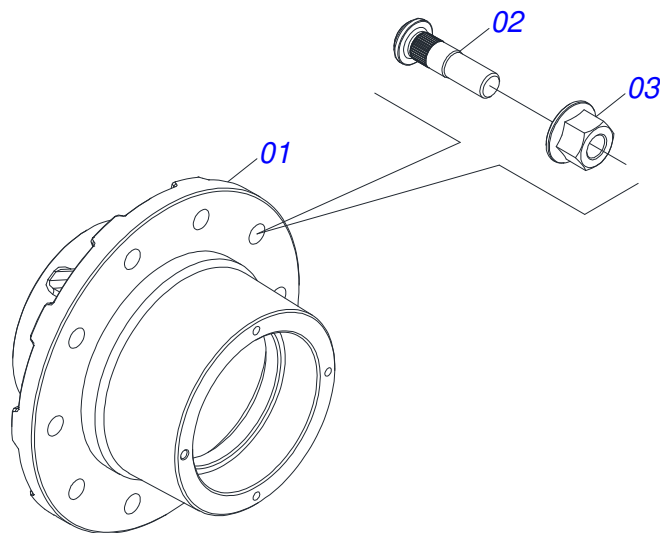
| Item | Code | Description | See page | QT |
|------|------------|------------------------|----------|----|
| 01 | 0531060846 | CYLINDER CASE | | 01 |
| 02 | 0531060845 | TURNBUCKLE | | 01 |
| 03 | 0561016583 | PISTON BODY | | 01 |
| 04 | 0502012645 | PISTON BODY | | 01 |
| 05 | 0502012646 | RING SUPPORT | | 01 |
| 06 | 0503011062 | 8-425 BACK-UP RING | | 01 |
| 07 | 0503010351 | 2-425 N 3006-9B O'RING | | 01 |
| 08 | 0503015641 | WEAR RING | | 01 |
| 09 | 0503015642 | U-CUP SEALING | | 01 |
| 10 | 0503015715 | SCRAPER SEALING | | 01 |
| 11 | 0502010382 | 5" END CAP | | 01 |
| 12 | 0503010002 | 1800 GREASE FITTING | | 02 |
| 13 | 0503030384 | CON PLUG N-001 | | 02 |
| 14 | 0503015643 | SEAL | | 01 |



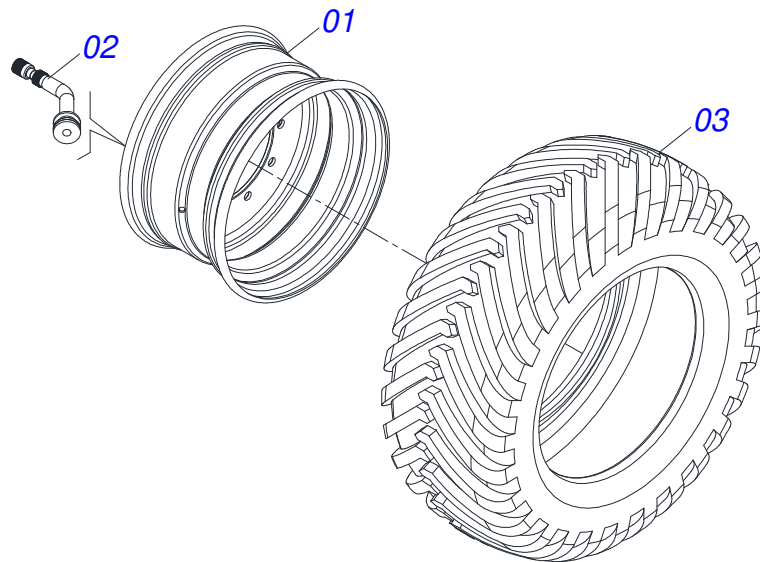
| Item | Code | Description | See page | QT |
|------|------------|--------------------------------|----------|----|
| 01 | 0503010118 | 32218 BEARING | | 02 |
| 02 | 0503012213 | 1/4" COTTERPIN | | 01 |
| 03 | 0503013541 | RETAINER | | 01 |
| 04 | 0503013542 | M10 SPRING WASHER | | 04 |
| 05 | 0503013546 | BOLT SX MA5,8 M10X1,5X20ZA DI | | 04 |
| 06 | 0503013548 | JOINT CORK | | 01 |
| 07 | 0503013549 | HUB COVER | | 01 |
| 08 | 0591018279 | AXLE TIP R 2. 1/2 UN (FURO 50) | | 01 |
| 09 | 0502040080 | FLANGE NUT R.2.1/2 UN | | 01 |
| 10 | 0531019986 | 64 X 110 X 9.5 FLAT WASHER | | 01 |
| 11 | 0561015521 | FLANGE | | 05 |
| 12 | 0501110761 | HUB AND BOLT | | 01 |



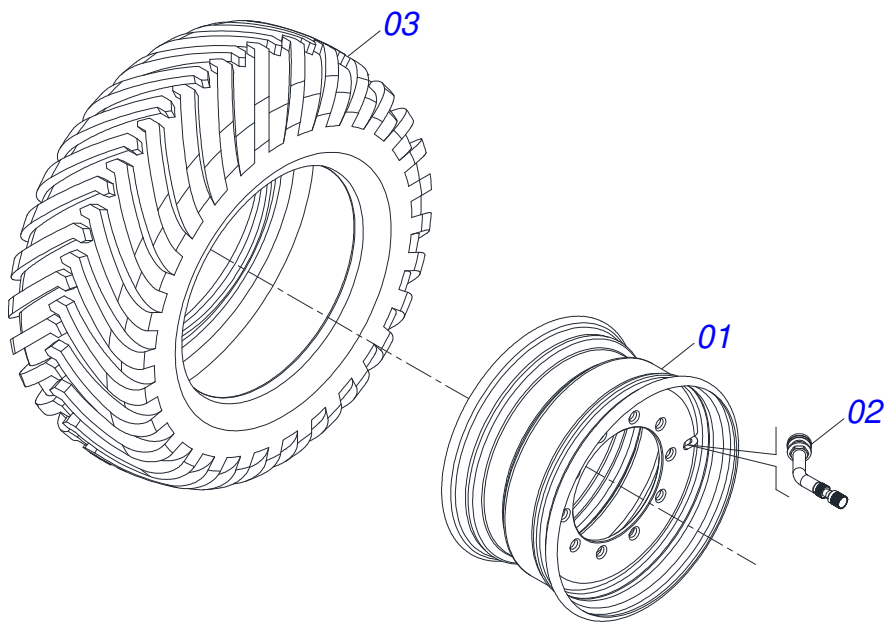
| Item | Code | Description | See page | QT |
|------|------------|-------------------------------|----------|----|
| 01 | 0501111042 | WHEEL CASE WITH SCREW | 6 | 01 |
| 02 | 0503013541 | RETAINER | | 01 |
| 03 | 0503013549 | HUB COVER | | 01 |
| 04 | 0503013546 | BOLT SX MA5,8 M10X1,5X20ZA DI | | 04 |
| 05 | 0503013542 | M10 SPRING WASHER | | 04 |
| 06 | 0503013548 | JOINT CORK | | 01 |
| 07 | 0502040080 | FLANGE NUT R.2.1/2 UN | | 01 |
| 08 | 0503012213 | 1/4" COTTERPIN | | 01 |
| 09 | 0531019986 | 64 X 110 X 9.5 FLAT WASHER | | 01 |
| 10 | 0551011426 | POINT AXIS R2.1/2UN | | 01 |
| 11 | 0503010002 | 1800 GREASE FITTING | | 01 |
| 12 | 0503013243 | 32218 ROLLER BEARING | | 02 |



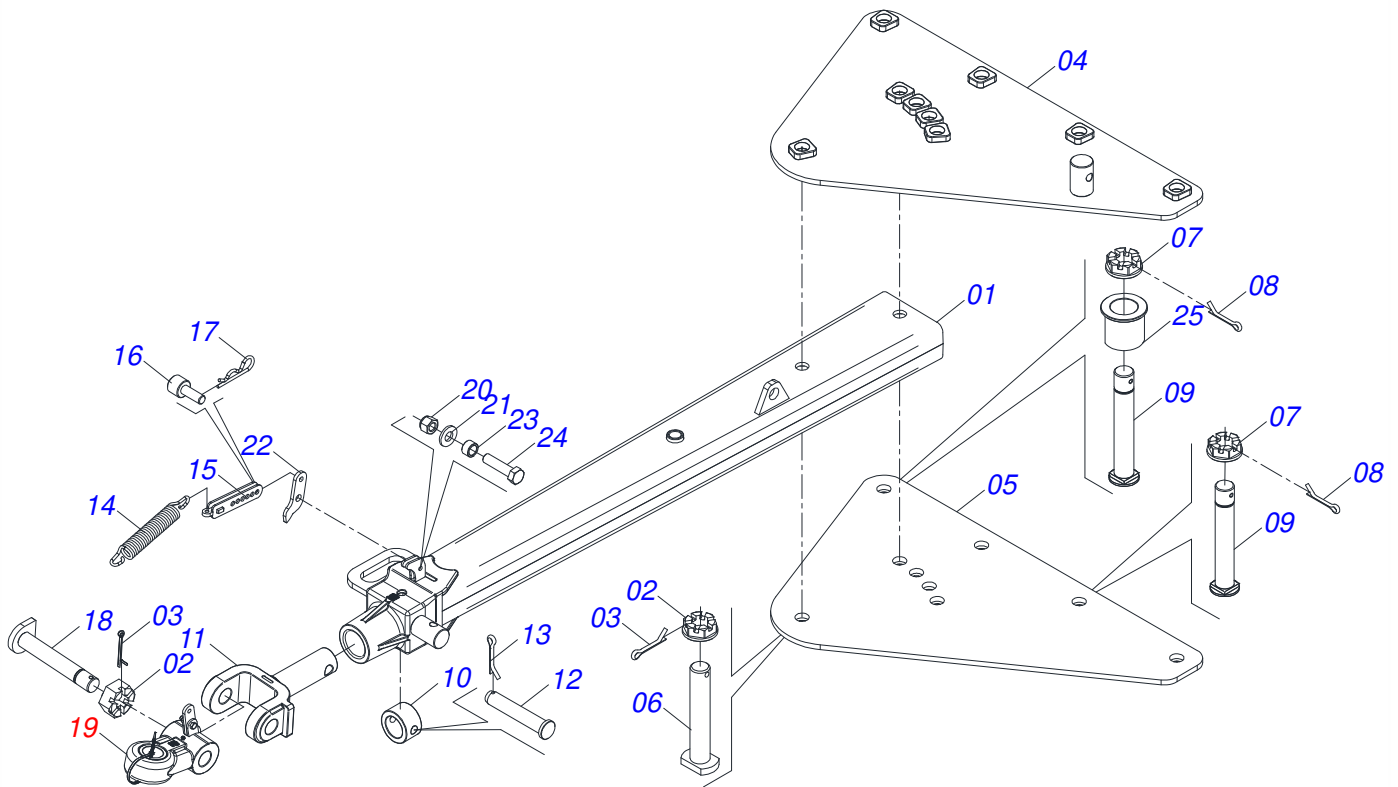
| Item | Code | Description | See page | QT |
|------|------------|---|----------|----|
| 01 | 0502012972 | HUB | | 01 |
| 02 | 0503035269 | CRA RDA UNF3/4 X 2.7/8 X 3.7/32 DIR R G8 BOLT | | 10 |
| 03 | 0503019871 | HEXAGONAL NUT 3/4 UNF 16FPP FLANGEADA G8 SA | | 10 |



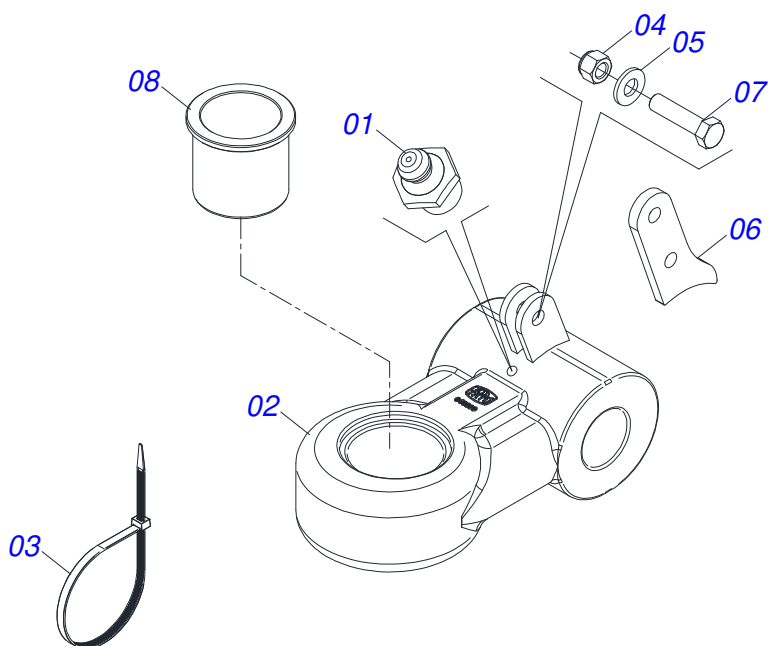
| Item | Code | Description | See page | QT |
|------|------------|------------------------------|----------|----|
| 01 | 0503033536 | RING | | 01 |
| 02 | 0503016098 | VALVE | | 01 |
| 03 | 0503019969 | TIRE 400/55-22,5 152A 8/149B | | 01 |



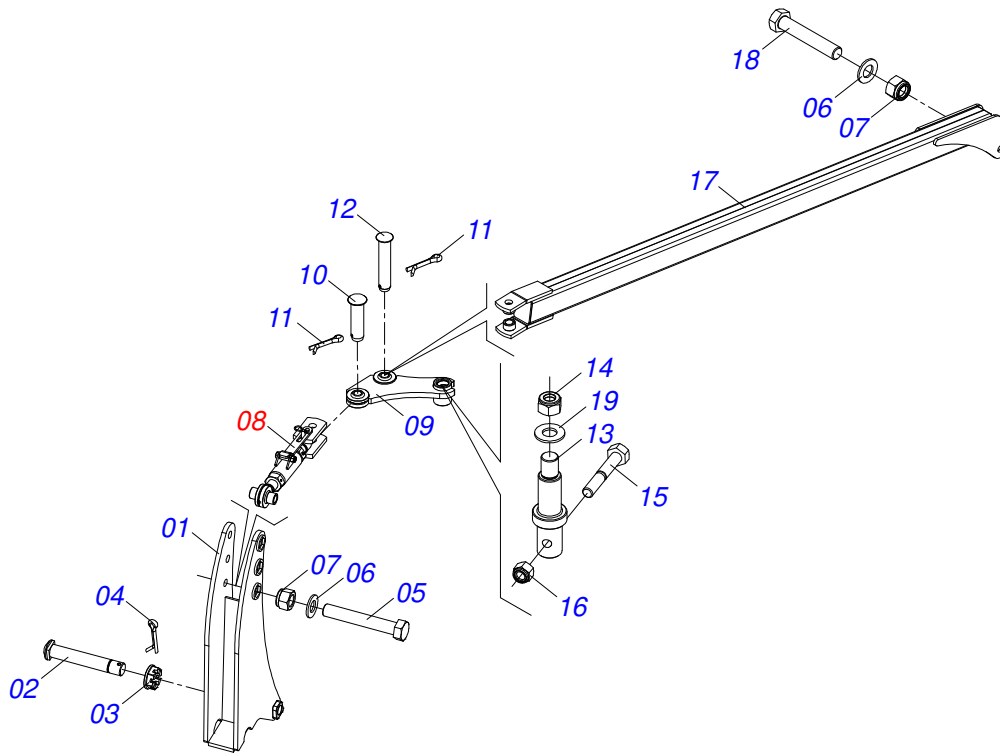
| Item | Code | Description | See page | QT |
|------|------------|------------------------------|----------|----|
| 01 | 0503033536 | RING | | 01 |
| 02 | 0503016098 | VALVE | | 01 |
| 03 | 0503019969 | TIRE 400/55-22,5 152A 8/149B | | 01 |



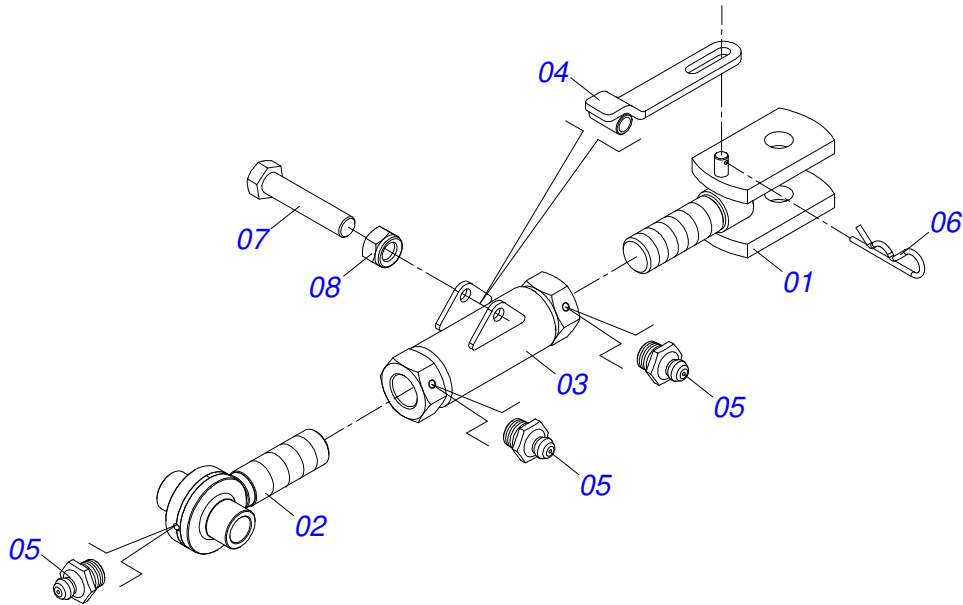
| Item | Code | Description | See page | QT |
|------|------------|---------------------------------------|----------|----|
| 01 | 0521068249 | TRACTION BAR (AXLE 2) | | 01 |
| 02 | 0502040558 | 2" CASTLE NUT | | 02 |
| 03 | 0503010074 | 3/8 X 0,15" COTTERPIN | | 02 |
| 04 | 0521068246 | UPPER PLATE (AXLE 2) | | 01 |
| 05 | 0521068247 | LOWER PLATE (AXLE 2) | | 01 |
| 06 | 0521068248 | JUNCTION AXLE WITH LOCK | | 01 |
| 07 | 0501811301 | CASTLE NUT | | 05 |
| 08 | 0503010010 | 1/4" X 2.1/2" COTTERPIN | | 05 |
| 09 | 0521811880 | 37,50 X 230 X PQ R.1./2 JUNCTION AXLE | | 05 |
| 10 | 0502040263 | ANEL TRAVA ENGATE | | 01 |
| 11 | 1902040897 | TRACTOR HITCH | | 01 |
| 12 | 0561017306 | COUPLING SHAFT | | 01 |
| 13 | 0503010523 | 1/4" X 2" COTTERPIN | | 01 |
| 14 | 0503031741 | 1.8" X 11.4" 0.3" TRACTION SPRING | | 01 |
| 15 | 0531061607 | SPRING REGULATOR | | 01 |
| 16 | 0591014558 | SPRING REGULATOR FIXER AXLE | | 01 |
| 17 | 0503030285 | HITCH PIN CLIP | | 01 |
| 18 | 0531061122 | AXIS ARTICULATOR | | 01 |
| 19 | 0531040171 | ASSY HITCH | 10 | 01 |
| 20 | 0503010589 | 1/2" UNC SELF ADJUSTING NUT | | 01 |
| 21 | 0501010937 | 13,50 X 28 X 3,00 FLAT WASHER | | 01 |
| 22 | 0591014554 | REAR EAR FIXING SPRING | | 01 |
| 23 | 0591014552 | SLEEVE | | 01 |
| 24 | 0503010740 | BOLT 1/2 UNC X 2 CS G.5 ZN | | 01 |
| 25 | 0591013086 | SLEEVE | | 01 |



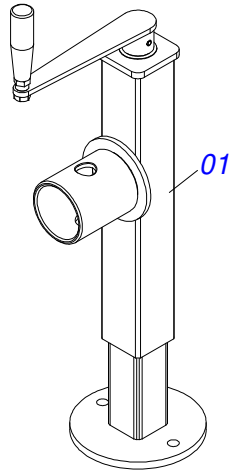
| Item | Code | Description | See page | QT |
|------|------------|-------------------------------|----------|----|
| 01 | 0503010002 | 1800 GREASE FITTING | | 01 |
| 02 | 0531061121 | HITCH | | 01 |
| 03 | 0503018829 | NYLON CLAMP | | 01 |
| 04 | 0503010589 | 1/2" UNC SELF ADJUSTING NUT | | 01 |
| 05 | 0501010937 | 13,50 X 28 X 3,00 FLAT WASHER | | 01 |
| 06 | 0591014555 | FRONT EAR FIXING SPRING | | 01 |
| 07 | 0503010740 | BOLT 1/2 UNC X 2 CS G.5 ZN | | 01 |
| 08 | 0591013448 | SLEEVE | | 01 |



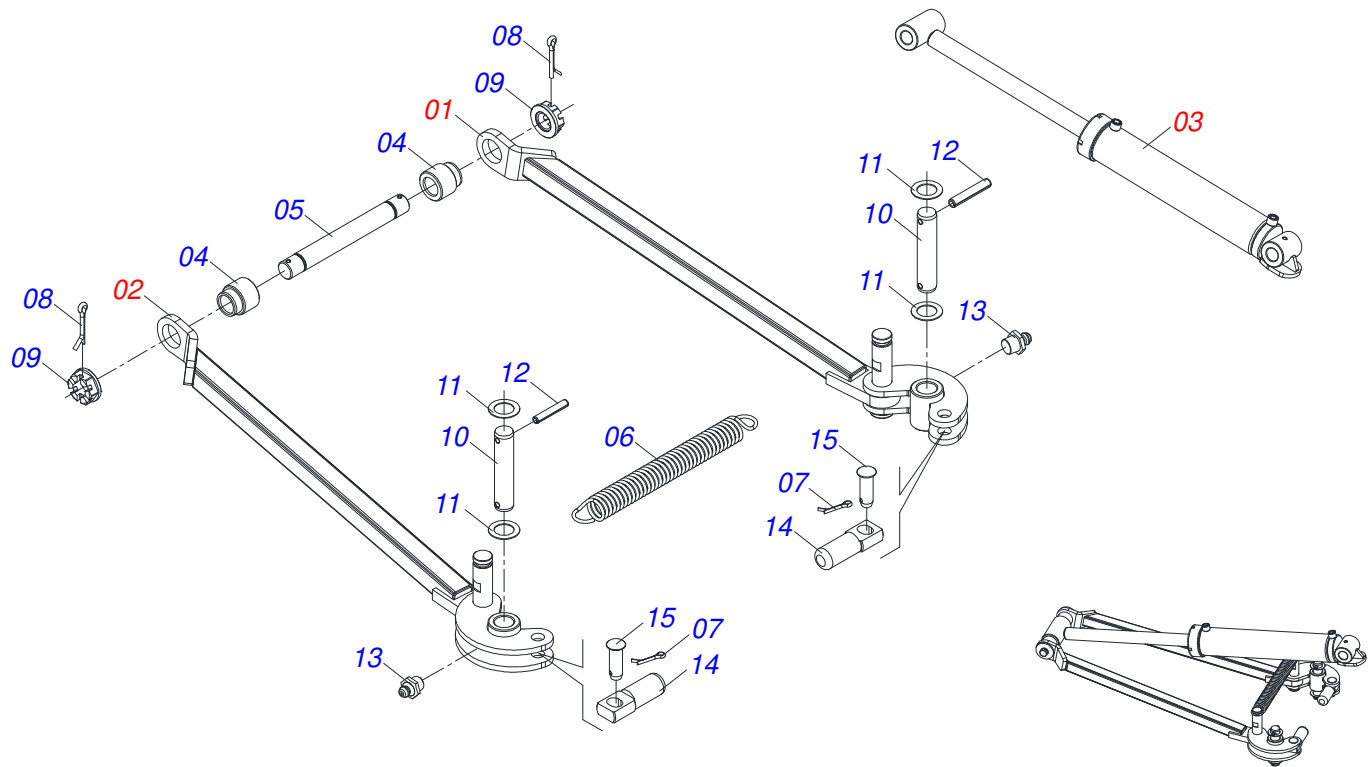
| Item | Code | Description | See page | QT |
|------|------------|--|----------|----|
| 01 | 0521066758 | DRAWBAR ARTICULATOR | | 01 |
| 02 | 0521012053 | 1.5" X 8.6" AXLE | | 01 |
| 03 | 0501011301 | 1.1/2 UNC 6FPP 2.5/16 NUT | | 01 |
| 04 | 0503010010 | 1/4" X 2.1/2" COTTERPIN | | 01 |
| 05 | 0521017351 | 1-1/4" X 8" BOLT | | 01 |
| 06 | 0501017779 | 32 X 60 X 4.75 FLAT WASHER | | 02 |
| 07 | 0503010817 | 1.1/4" SELF LOCKING NUT | | 02 |
| 08 | 0511059199 | STABILIZER BAR REGULATOR EXTENSOR | 12 | 01 |
| 09 | 0521066960 | STABILIZER BAR ARTICULATOR | | 01 |
| 10 | 0521010780 | 1.2" X 4.5" COUPLING SHAFT | | 01 |
| 11 | 0503010523 | 1/4" X 2" COTTERPIN | | 02 |
| 12 | 0581011919 | 31,75 X 170 ZN COUPLING SHAFT | | 01 |
| 13 | 0581011775 | STABILIZER BAR ARTICULATING PIVOT AXLE | | 01 |
| 14 | 0503010290 | SELF ADJUSTING 1.1/2" UNF NUT | | 01 |
| 15 | 0501010216 | 3/4 UNC X 4.1/2 C S G.5 ZN BOLT | | 01 |
| 16 | 0503011075 | 3/4" UNC NUT | | 01 |
| 17 | 0521066759 | STABILIZER BAR | | 01 |
| 18 | 0503013321 | SCREW 1.1/4 UNF X 7 C S G.8 ZN | | 01 |
| 19 | 0501010287 | FLAT WASHER | | 01 |



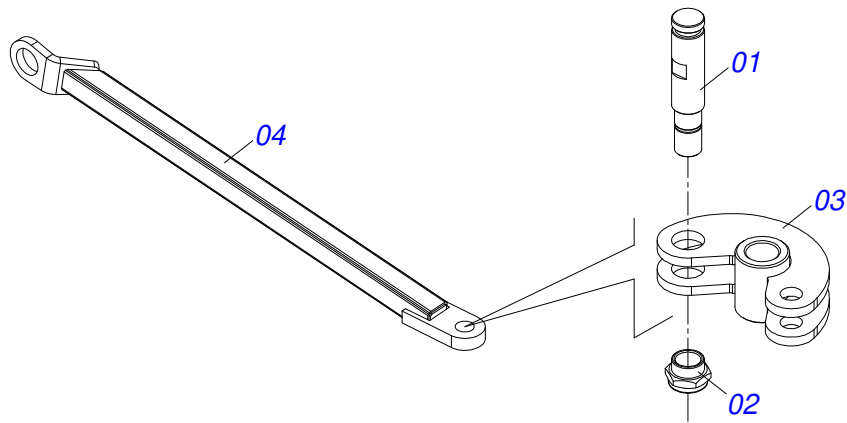
| Item | Code | Description | See page | QT |
|------|------------|--|----------|----|
| 01 | 0521066962 | JACK CRANK C/O. R.1.3/4 ESQUERDO | | 01 |
| 02 | 0521066965 | JACK CRANK NUT FIXER R.1.3/4 UNC DIREITO | | 01 |
| 03 | 0521066963 | ADJUSTMENT NUT R.1.3/4 UNC (245) | | 01 |
| 04 | 0521066964 | STABILIZER TENSOR REGULATOR LEVER | | 01 |
| 05 | 0503010002 | 1800 GREASE FITTING | | 03 |
| 06 | 0503030285 | HITCH PIN CLIP | | 01 |
| 07 | 0503010806 | 5/8" X 3" BOLT | | 01 |
| 08 | 0503010878 | 5/8" SELF ALIGNING NUT | | 01 |



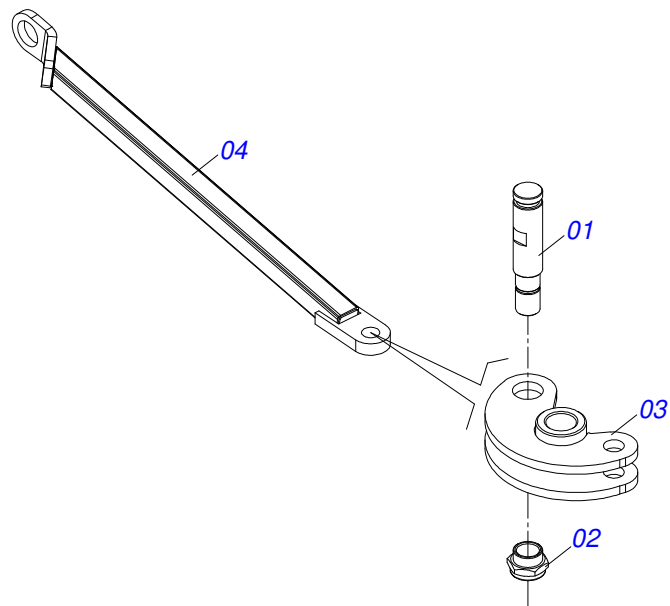
| Item | Code | Description | See page | QT |
|------|------------|--------------|----------|----|
| 01 | 0503062227 | DRAWBAR JACK | | 01 |



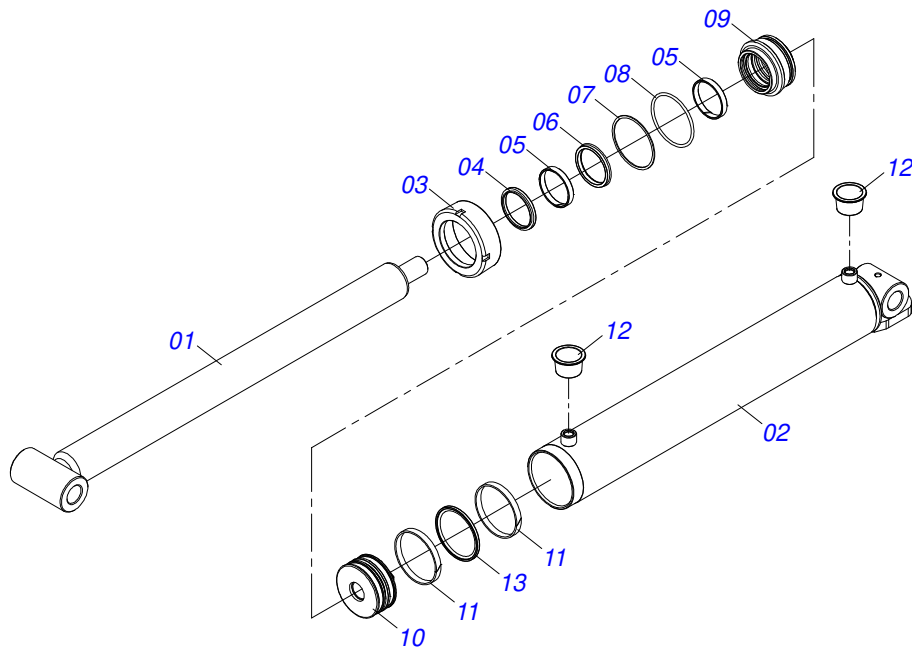
| Item | Code | Description | See page | QT |
|------|------------|--|----------|----|
| 01 | 0511050181 | LH FRONT/RH REAR ARTICULACION | 15 | 04 |
| 02 | 0511050182 | RH FRONT/LH REAR ARTICULACION | 16 | 04 |
| 03 | 0511059197 | 3" X 4" X 42" X 28" HYDRAULIC CYLINDER | 17 | 04 |
| 04 | 0541016614 | 38,20 X 62 X 61 SLEEVE | | 08 |
| 05 | 0501210091 | ARTICULATOR PIVOT AXIS | | 04 |
| 06 | 0503032537 | 50,7 X 325 X 6,35 TRACTION SPRING | | 04 |
| 07 | 0503010571 | 1/4" X 1.1/2 COTTERPIN | | 08 |
| 08 | 0503010010 | 1/4" X 2.1/2" COTTERPIN | | 08 |
| 09 | 0501011301 | 1.1/2 UNC 6FPP 2.5/16 NUT | | 08 |
| 10 | 0541016677 | 37,20 X 177 COUPLING SHAFT | | 08 |
| 11 | 0511019685 | FLAT WASHER | | 16 |
| 12 | 0503010361 | SPRING PIN | | 16 |
| 13 | 0503010002 | 1800 GREASE FITTING | | 08 |
| 14 | 0561013283 | LOCK AXLE FRAME | | 08 |
| 15 | 0521010572 | 0.9" X 2.9" COUPLING SHAFT | | 08 |



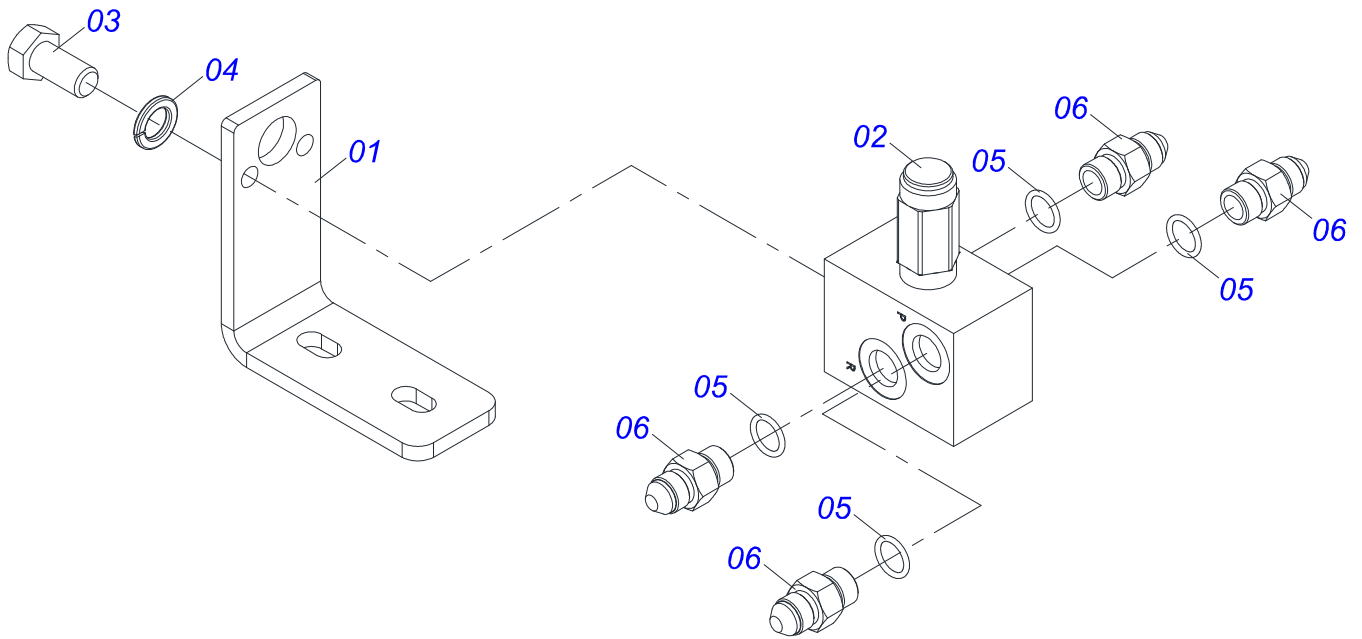
| Item | Code | Description | See page | QT |
|------|------------|------------------------|----------|----|
| 01 | 0561014074 | LOCK AXLE | | 01 |
| 02 | 0541019258 | 1.1/4 ADJUSTING NUT | | 01 |
| 03 | 0521060779 | LOCK PIN | | 01 |
| 04 | 0521060770 | FRONT ARTICULACION ARM | | 01 |



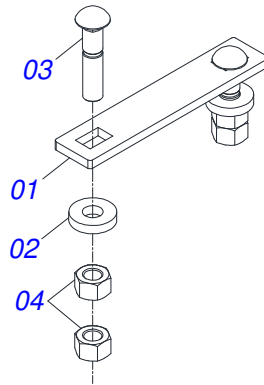
| Item | Code | Description | See page | QT |
|------|------------|-----------------------|----------|----|
| 01 | 0561014074 | LOCK AXLE | | 01 |
| 02 | 0541019258 | 1.1/4 ADJUSTING NUT | | 01 |
| 03 | 0521060779 | LOCK PIN | | 01 |
| 04 | 0521060771 | ARTICULATION ARM ASSY | | 01 |



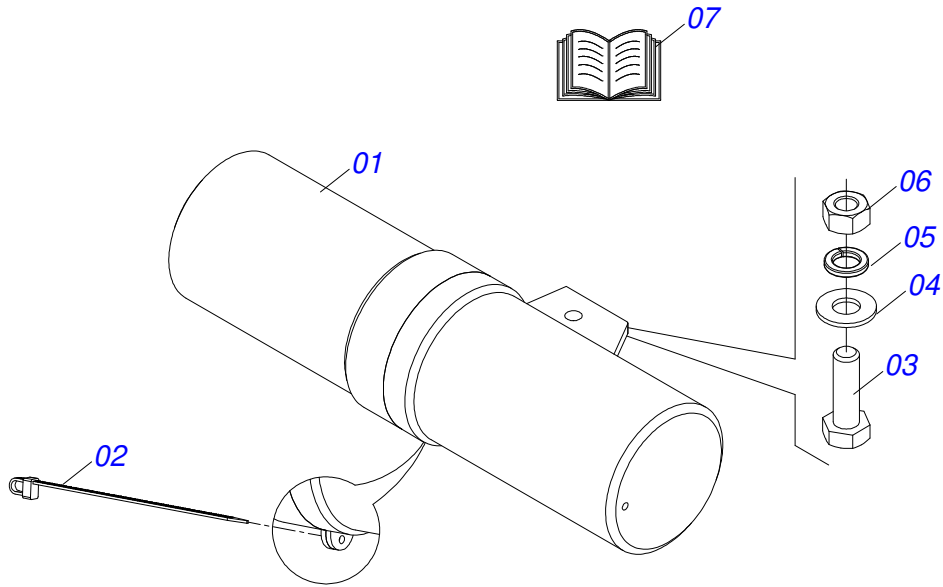
| Item | Code | Description | See page | QT |
|------|------------|-----------------------------------|----------|----|
| 01 | 0521060777 | 76,20 X 1020,50 TURNBUCKLE | | 01 |
| 02 | 0521067412 | SHIRT 114.30 X 897.50 WITH BEATER | | 01 |
| 03 | 0502012629 | MOBILE COVER 114,30 (E. 76,20) | | 01 |
| 04 | 0503012642 | D-3000 SCRAPER RING | | 01 |
| 05 | 0503013553 | SEAL RING | | 02 |
| 06 | 0503013552 | GASKET | | 01 |
| 07 | 0503011893 | BACK-UP RING, 8-346 | | 01 |
| 08 | 0503011892 | O' RING, 2-346 N 3006-9B | | 01 |
| 09 | 0502012628 | 76,30 X 114,20 RING SUPPORT | | 01 |
| 10 | 0502012477 | 114,30 PISTON | | 01 |
| 11 | 0503011891 | W2-4500-500 RING G.E | | 02 |
| 12 | 0503030384 | CON PLUG N-001 | | 02 |
| 13 | 0503014692 | OE 114,3 GASKET | | 01 |



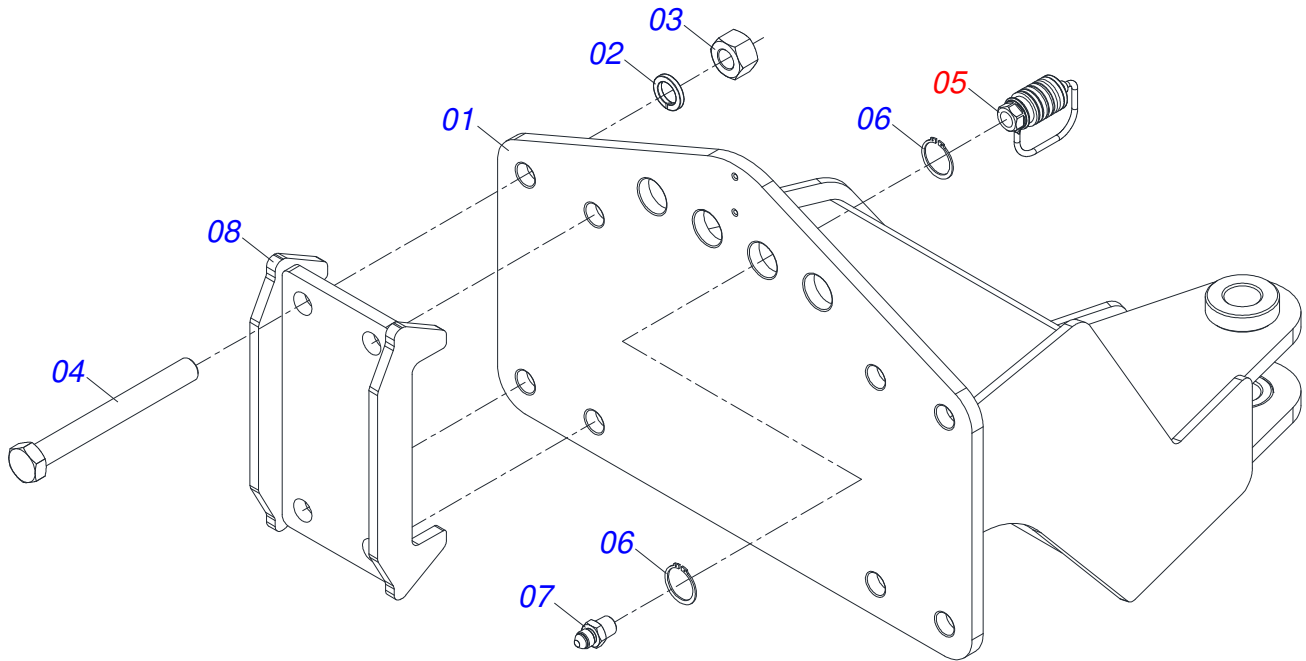
| Item | Code | Description | See page | QT |
|------|------------|------------------------------|----------|----|
| 01 | 0581011745 | VALVE SUPPORT | | 01 |
| 02 | 0503010919 | DISCHARGE VALVE | | 01 |
| 03 | 0503011334 | BOLT 3/8 UNC X 3/4 CS G.5 ZN | | 02 |
| 04 | 0503010025 | 3/8 SPRING WASHER | | 02 |
| 05 | 0503010190 | 2-114 N 3006-9B O'RING | | 04 |
| 06 | 0501010617 | 3/4" NIPPLE | | 04 |



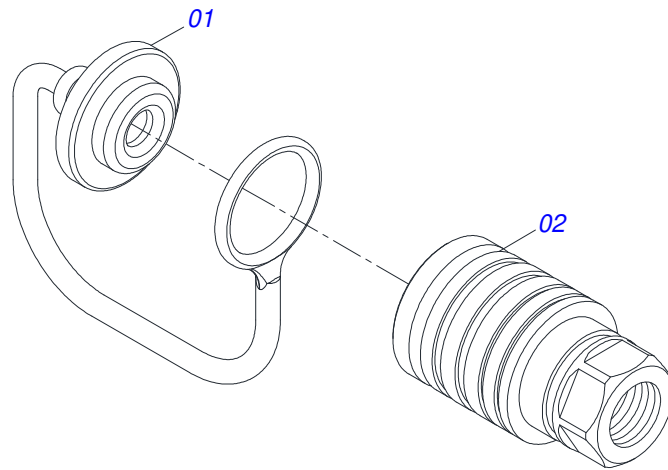
| Item | Code | Description | See page | QT |
|------|------------|------------------------|----------|----|
| 01 | 0591013569 | SQUARE WASHER | | 01 |
| 02 | 0571010448 | 32,50 X 75 X 16 SLEEVE | | 02 |
| 03 | 0501010954 | 1.1/4" X 5.3/4" BOLT | | 02 |
| 04 | 0501010087 | 1.1/4" NUT | | 04 |



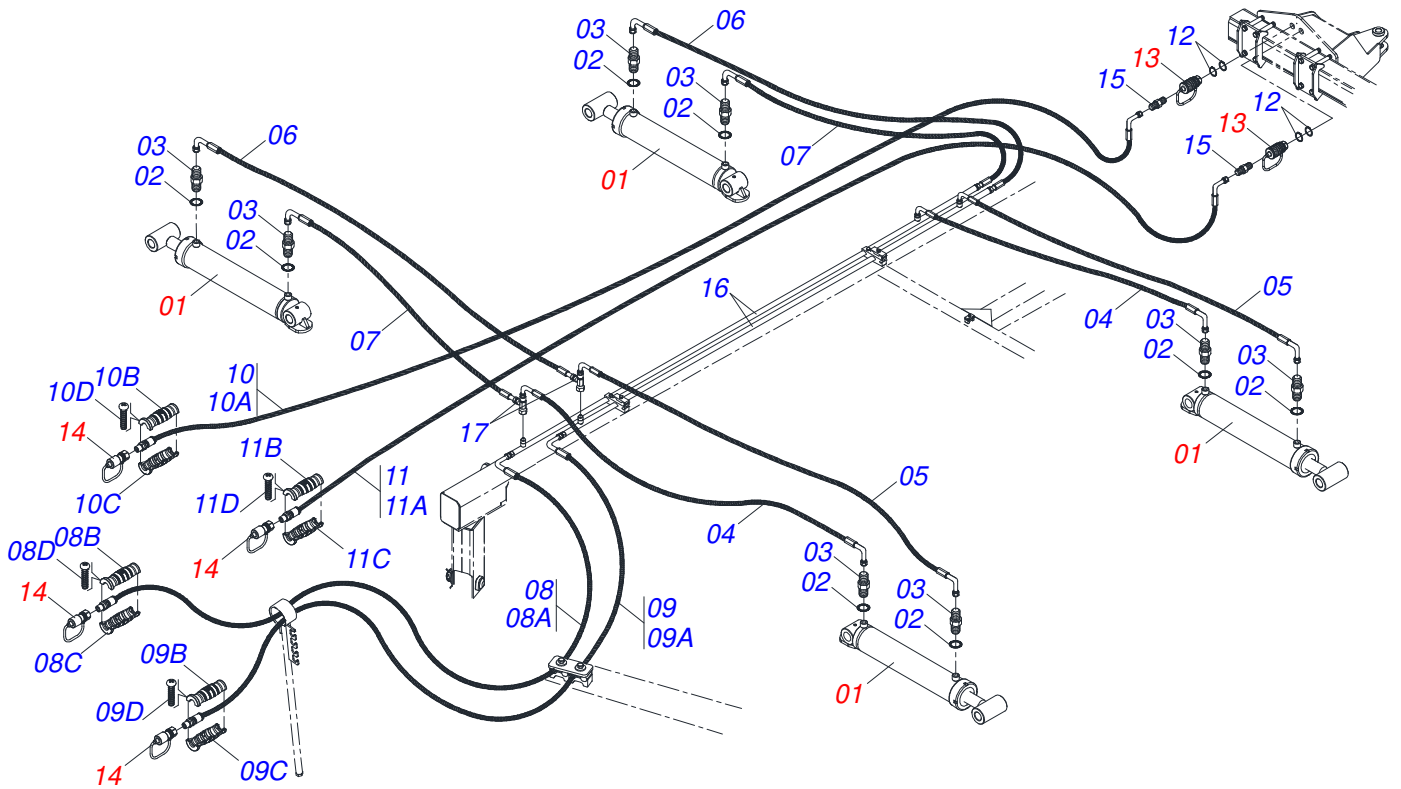
| Item | Code | Description | See page | QT |
|------|------------|------------------------------|----------|----|
| 01 | 0503060100 | INSTRUCTIONS MANUAL CANISTER | | 01 |
| 02 | 0503010267 | NYLON CLAMP | | 01 |
| 03 | 0503010363 | BOLT 5/16 UNC X 1 C S G.2 ZN | | 01 |
| 04 | 0501010694 | FLAT WASHER | | 01 |
| 05 | 0503010179 | LOCK WASHER 5/16 ZN 1K01528 | | 01 |
| 06 | 0503010337 | 5/16" NUT | | 01 |
| 07 | 0511033060 | BAG WITH INSTRUCTION MANUAL | | 01 |



| Item | Code | Description | See page | QT |
|------|------------|---------------------------------|----------|----|
| 01 | 0531060844 | 260 REAR HITCH | | 01 |
| 02 | 0503010012 | 1" SPRING WASHER | | 08 |
| 03 | 0501010059 | 1.5/8 NUT | | 08 |
| 04 | 0501010064 | 1" X 9" BOLT | | 08 |
| 05 | 0501053835 | FEMALE QUICK COUPLER | 22 | 02 |
| 06 | 0503010217 | 501040 CLAMPING RING (FOR AXLE) | | 04 |
| 07 | 0571015342 | 3/4" NIPLE | | 02 |
| 08 | 0531060843 | FIXER CLAW | | 02 |

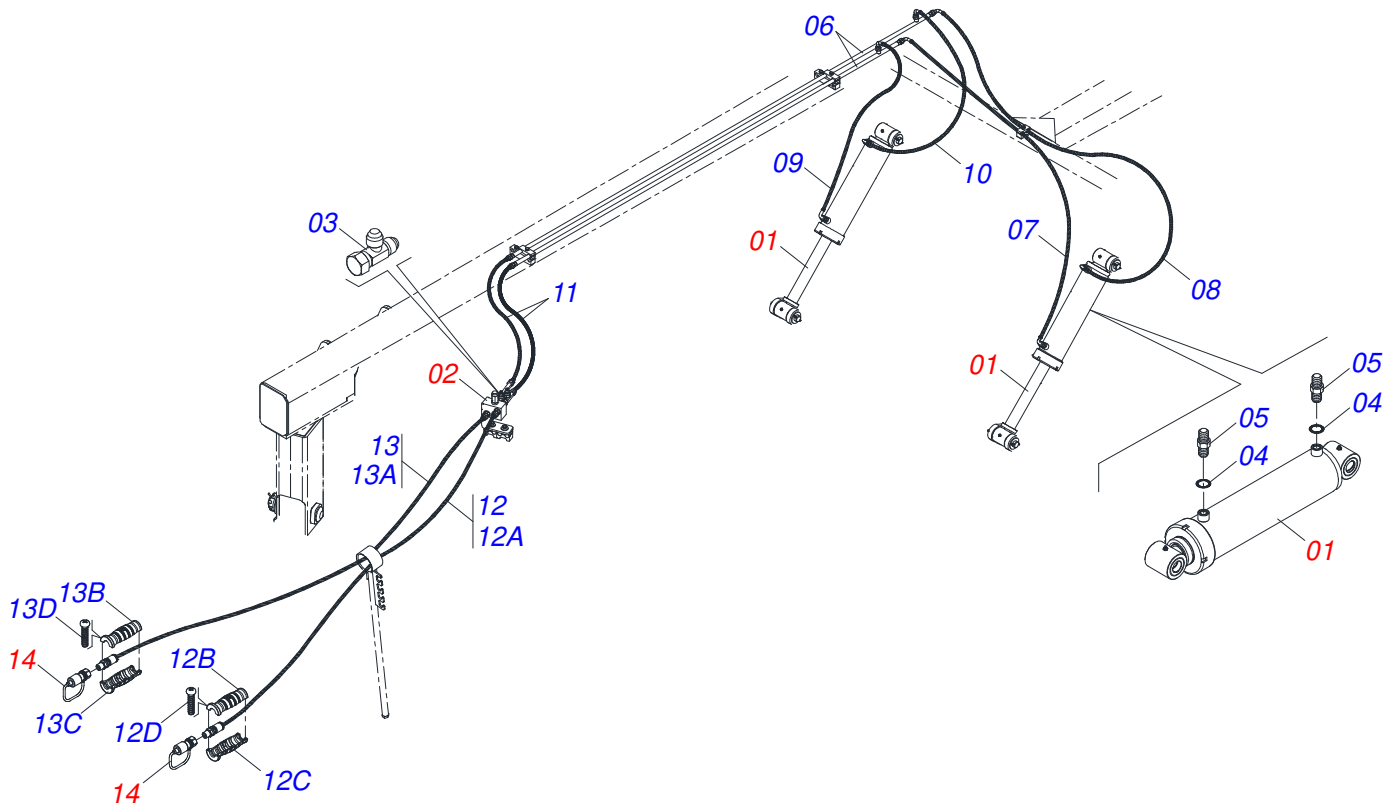


| Item | Code | Description | See page | QT |
|------|------------|------------------------|----------|----|
| 01 | 0503011883 | QUICK CONNECTION COVER | | 01 |
| 02 | 0503011628 | FEMALE QUICK COUPLER | | 01 |

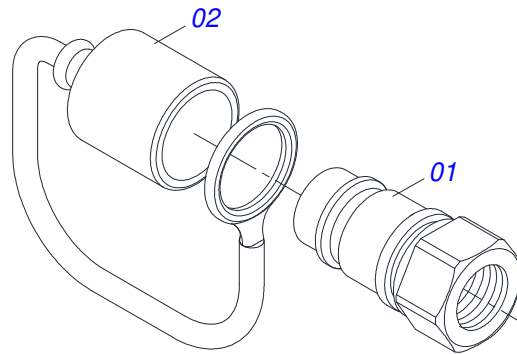


| Item | Code | Description | See page | QT |
|------|------------|--|----------|----|
| 01 | 0511059197 | 3" X 4" X 42" X 28" HYDRAULIC CYLINDER | 17 | 04 |
| 02 | 0503010190 | 2-114 N 3006-9B O'RING | | 08 |
| 03 | 0501010617 | 3/4" NIPPLE | | 08 |
| 04 | 0501080578 | 3/8" X 157" TC-TC HOSE | | 02 |
| 05 | 0501080909 | 3/8" X 181" TC-TC HOSE | | 02 |
| 06 | 0501080401 | 3/8" X 106" TR-TC HOSE | | 02 |
| 07 | 0501080450 | 3/8" X 86" TR-TC HOSE | | 02 |
| 08 | 0521052945 | 3/8" X 240" TC-TM BROWN/RED HOSE | | 01 |
| 08A | 0501080850 | 3/8" X 240" TC-TM HOSE | | 01 |
| 08B | 0503034490 | HYDRAULIC HOSE GRIP (BROWN) | | 01 |
| 08C | 0503034495 | HYDRAULIC HOSE GRIP (RED) | | 01 |
| 08D | 0503018952 | PLASTIC BOLT | | 06 |
| 09 | 0521052944 | 3/8" X 240" TC-TM BROWN/BLUE HOSE | | 01 |
| 09A | 0501080850 | 3/8" X 240" TC-TM HOSE | | 01 |
| 09B | 0503034490 | HYDRAULIC HOSE GRIP (BROWN) | | 01 |
| 09C | 0503034494 | HYDRAULIC HOSE GRIP (BLUE) | | 01 |
| 09D | 0503018952 | PLASTIC BOLT | | 06 |
| 10 | 0521052430 | 3/8" X 472" TC-TM GRAY/RED HOSE | | 01 |
| 10A | 0501082031 | 3/8" X 472" TC-TM HOSE | | 01 |
| 10B | 0503034489 | HYDRAULIC HOSE GAUNTLET (GRAY) | | 01 |
| 10C | 0503034495 | HYDRAULIC HOSE GRIP (RED) | | 01 |
| 10D | 0503018952 | PLASTIC BOLT | | 06 |
| 11 | 0521052457 | 3/8" X 472" TC-TM GRAY/BLUE HOSE | | 01 |
| 11A | 0501082031 | 3/8" X 472" TC-TM HOSE | | 01 |
| 11B | 0503034489 | HYDRAULIC HOSE GAUNTLET (GRAY) | | 01 |
| 11C | 0503034494 | HYDRAULIC HOSE GRIP (BLUE) | | 01 |
| 11D | 0503018952 | PLASTIC BOLT | | 06 |
| 12 | 0503010217 | 501040 CLAMPING RING (FOR AXLE) | | 04 |
| 13 | 0501053835 | FEMALE QUICK COUPLER | 22 | 02 |
| 14 | 0501053834 | MALE QUICK COUPLER | 25 | 04 |
| 15 | 0571015342 | 3/4" NIPPLE | | 02 |

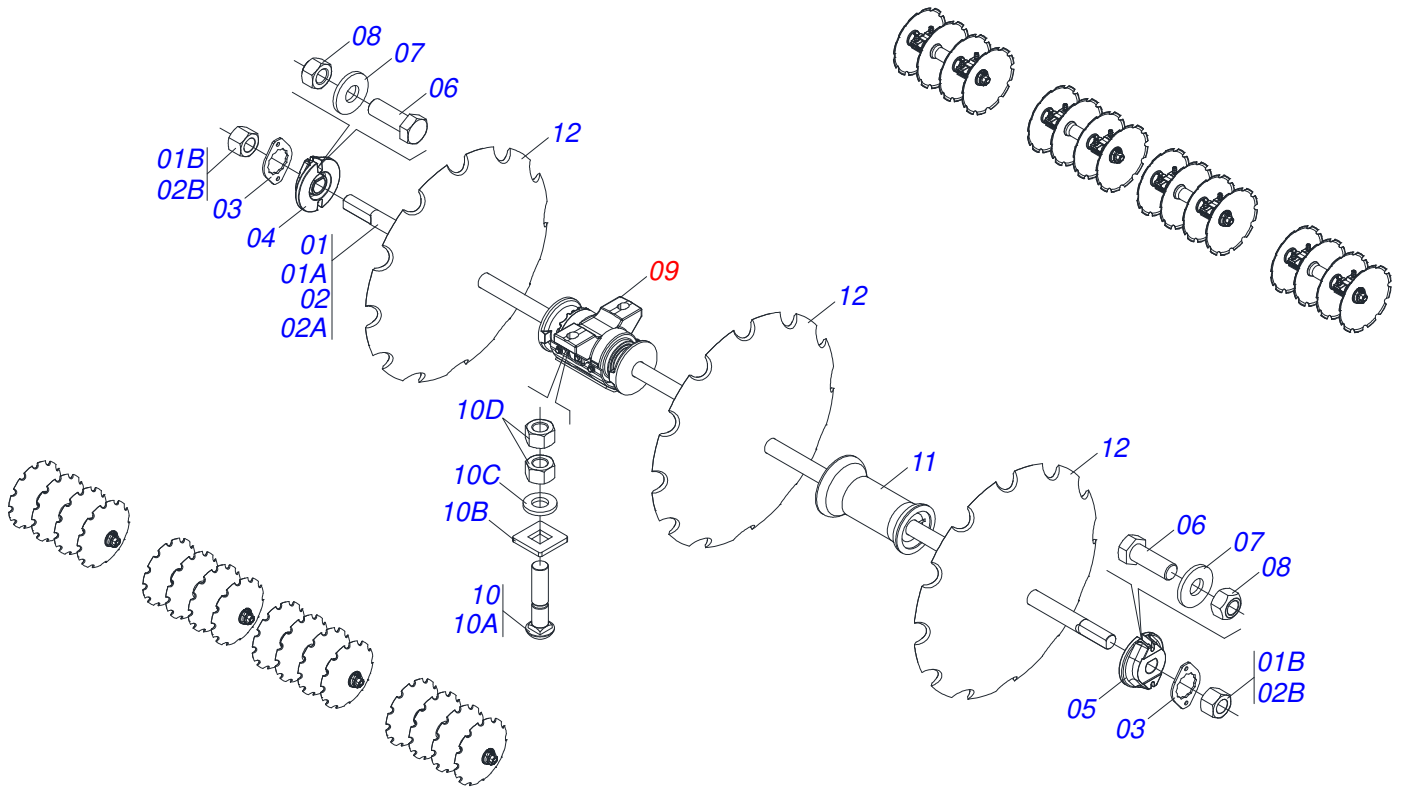
| Item | Code | Description | See page | QT |
|-------------|-------------|---------------------------------------|-----------------|-----------|
| 16 | 0521066126 | DISTRIBUTOR OIL TUBE | | 02 |
| 17 | 0503011968 | 3/4" 8R6X-S T ADAPTER WITH SWIVEL NUT | | 02 |



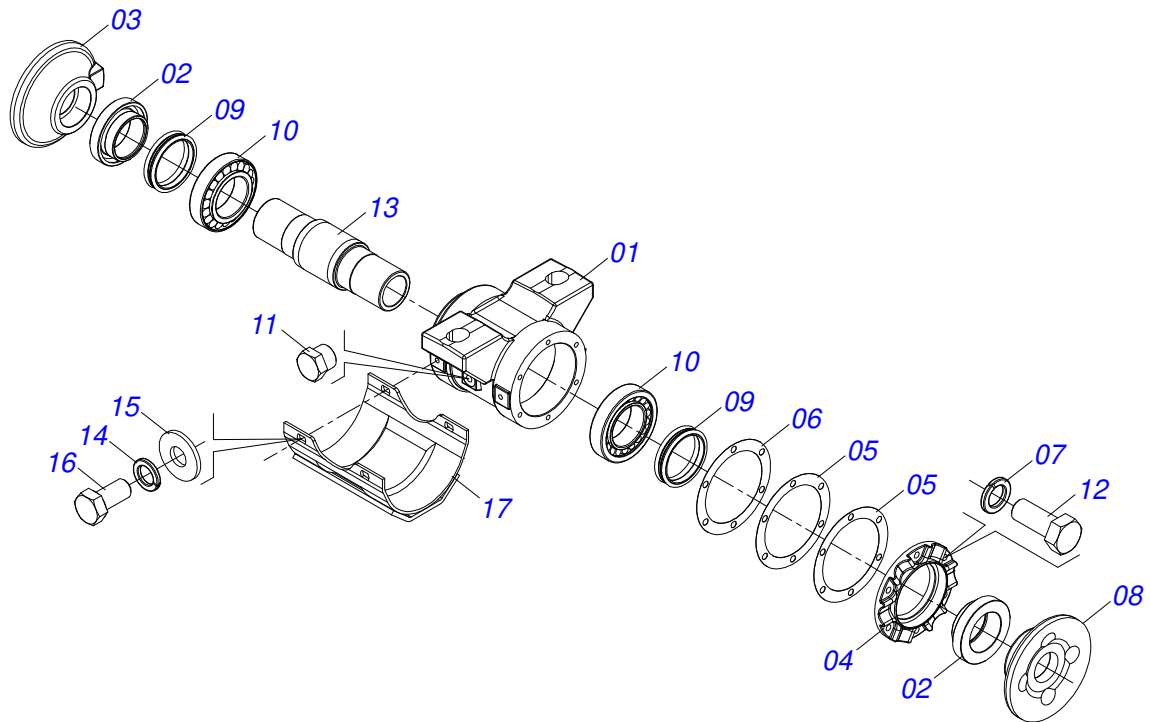
| Item | Code | Description | See page | QT |
|------|------------|--|----------|----|
| 01 | 0521058003 | 2" X 5" X 25" X 13" HIDRAULIC CYLINDER | 3 | 02 |
| 02 | 0511059196 | ASSY VALVE | 18 | 01 |
| 03 | 0503011968 | 3/4" 8R6X-S T ADAPTER WITH SWIVEL NUT | | 02 |
| 04 | 0503010190 | 2-114 N 3006-9B O'RING | | 04 |
| 05 | 0501010617 | 3/4" NIPPLE | | 04 |
| 06 | 0521066937 | OIL DISTRIBUTOR DUCT | | 02 |
| 07 | 0501080432 | 3/8" X 102" TC-TC HOSE | | 01 |
| 08 | 0501080393 | 3/8" X 86" TC-TC HOSE | | 01 |
| 09 | 0501080065 | 3/8" X 47" TC-TC HOSE | | 01 |
| 10 | 0501080931 | 3/8" X 39" TC-TC HOSE | | 01 |
| 11 | 0501080106 | 3/8" X 31" TR-TR HOSE | | 02 |
| 12 | 0531055152 | 3/8" X 236" TR-TM BLACK/BLUE HOSE | | 01 |
| 12A | 0501082444 | 3/8" X 236" TR-TM HOSE | | 01 |
| 12B | 0503034492 | HYDRAULIC HOSE GRIP (BLACK) | | 01 |
| 12C | 0503034494 | HYDRAULIC HOSE GRIP (BLUE) | | 01 |
| 12D | 0503018952 | PLASTIC BOLT | | 06 |
| 13 | 0531055151 | 3/8" X 236" TR-TM BLACK/RED HOSE | | 01 |
| 13A | 0501082444 | 3/8" X 236" TR-TM HOSE | | 01 |
| 13B | 0503034492 | HYDRAULIC HOSE GRIP (BLACK) | | 01 |
| 13C | 0503034495 | HYDRAULIC HOSE GRIP (RED) | | 01 |
| 13D | 0503018952 | PLASTIC BOLT | | 06 |
| 14 | 0501053834 | MALE QUICK COUPLER | 25 | 02 |



| Item | Code | Description | See page | QT |
|------|------------|--------------------------------|----------|----|
| 01 | 0503011627 | MALE QUICK COUPLER AGR 1/2 NPT | | 01 |
| 02 | 0503011882 | MALE QUICK COUPLER CAP | | 01 |



| Item | Code | Description | See page | 32 | 34 | 36 |
|------|------------|--|----------|----|----|----|
| 01 | 0501040693 | 2.1/2" X 63" AXLE WITH NUTS | | 08 | 06 | 04 |
| 01A | 0501010358 | 2.1/2" X 63" AXLE | | 08 | 06 | 04 |
| 01B | 0502040064 | 2.1/2" SNC X 70 99 NUT | | 16 | 12 | 08 |
| 02 | 0501040690 | 2.1/2" X 80" AXLE WITH NUTS | | 00 | 02 | 04 |
| 02A | 0501010357 | 2.1/2" X 81" AXLE | | 00 | 02 | 04 |
| 02B | 0502040064 | 2.1/2" SNC X 70 99 NUT | | 00 | 04 | 08 |
| 03 | 0541010368 | NUT LOCK | | 16 | 16 | 16 |
| 04 | 0502010592 | 2.1/2" INNER AXLE WASHER | | 08 | 08 | 08 |
| 05 | 0502010593 | 2.1/2" EXTERNAL AXLE WASHER | | 08 | 08 | 08 |
| 06 | 0503010232 | 5/8" X 1.3/4" BOLT | | 32 | 32 | 32 |
| 07 | 0501012140 | FLAT WASHER | | 32 | 32 | 32 |
| 08 | 0503012412 | 5/8" UNC SELF LOCKING NUT | | 32 | 32 | 32 |
| 09 | 0521041291 | OIL 16" X 2.1/2" BEARING ASSY | 27 | 16 | 16 | 16 |
| 10 | 0501041301 | 1.1/4" X 5.3/4" ASSY BOLT | | 32 | 32 | 32 |
| 10A | 0501010954 | 1.1/4" X 5.3/4" BOLT | | 32 | 32 | 32 |
| 10B | 0501010953 | 1-1/4" SQUARE WASHER | | 32 | 32 | 32 |
| 10C | 0531010713 | FLAT WASHER | | 32 | 32 | 32 |
| 10D | 0501010087 | 1.1/4" NUT | | 64 | 64 | 64 |
| 11 | 0502012220 | 2.1/2" X 17" SPACER | | 08 | 10 | 12 |
| 12 | 0602048062 | DR 36 X 12 C130AF04FR2.9/16 12R TAT/CV | | 32 | 34 | 36 |
| 12. | 0602051003 | DR 40 X 12 C143AF04FR2.9/16 12R TAT/CV | | 32 | 34 | 36 |



| Item | Code | Description | See page | QT |
|------|------------|------------------------------------|----------|----|
| 01 | 0502012415 | HOUSING BEARING | | 01 |
| 02 | 0502040119 | SEAL RETAINER | | 02 |
| 03 | 0502040165 | INNER FLANGE | | 01 |
| 04 | 0502010644 | HOUSING CAP DM | | 01 |
| 05 | 0503030537 | 8.3" X 6.3" X 0.01" JOINT | | 02 |
| 06 | 0503030687 | 8.3" X 6.3" X 0.004" JOINT | | 01 |
| 07 | 0503011440 | SPRING WASHER | | 06 |
| 08 | 0502040164 | OUTER FLANGE | | 01 |
| 09 | 0503030029 | RETAINER LP JB-259 | | 02 |
| 10 | 0503013243 | 32218 ROLLER BEARING | | 02 |
| 11 | 0503010856 | OIL PLUG | | 02 |
| 12 | 0503010920 | 1/2 UNC X 1.1/2 C S G.5 ZN BOLT | | 06 |
| 13 | 0502040039 | AXLE | | 01 |
| 14 | 0511017302 | FLAT WASHER 13,50 X 32,50 X 3,0 ZN | | 04 |
| 15 | 0503010019 | 1/2" SPRING WASHER | | 04 |
| 16 | 0503010834 | 1/2 X 1 BOLT | | 04 |
| 17 | 0521062889 | PROTECTION CAP | | 01 |
| 18 | 3402301247 | MINERAL OIL GREASE | | 01 |



civemasa

Technical Publications | Elaboration and Revision

LEONARDO JOSÉ DA SILVA SOUZA

www.civemasa.com.br

