

SUBSOILER PLOUGH

STAC P 500 MIGDOLUS - 650L

Code: 0501093498

Series: S-0123

Revision: 00

Revision Date: MARÇO/2023

PARTS CATALOGUE


CIVEMASA

PRODUCTS

Code	Description
0120370361	STAC P 500 BP MH BS 5H T650L DC RD S-0123

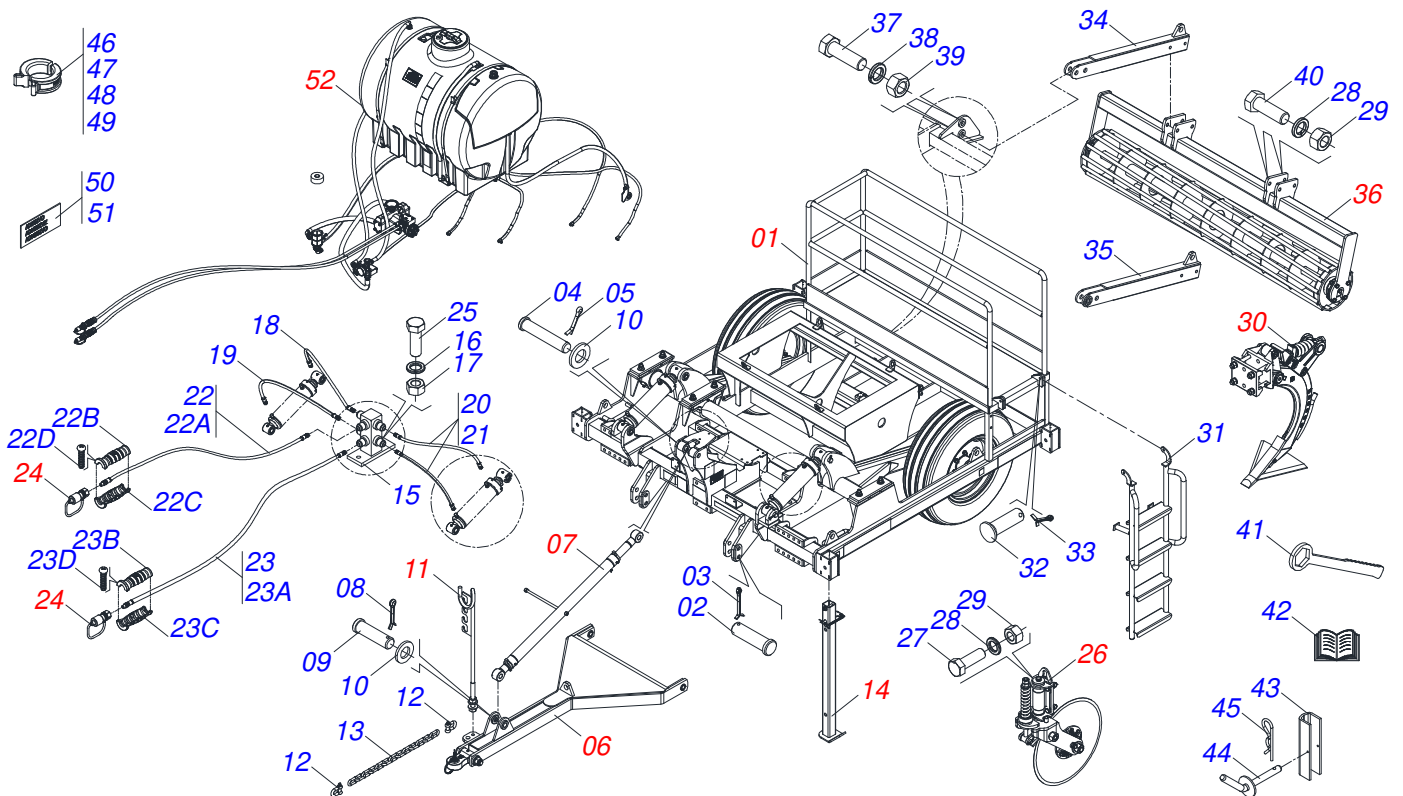
ATTENTION: IMPORTANT

CIVEMASA reserves the right to improve and/or modify the technical features of its products, without obligation to do the same with those products already sold and without prior knowledge of the dealer or the customer. The photos are only illustrative.



INDEX

0531044945	ASSY FRAME	1
0531059713	FRAME WITH WHEEL	2
0501054685	WHEELS HUB ASSY	3
0503061874	WHEEL WITH TIRE	4
0521053332	2" X 4" X 22" X 9" HYDRAULIC CYLINDER	5
0531050054	ASSY DRAWBAR	6
0521057520	HITCH ASSY	7
0531050053	ASSY EXTENDER SET	8
0501040257	ASSY 3/4 X 38 HOSE SUPPORT	9
0531050052	43" ASSY JACK	10
0531050051	0.7" X 4" ASSY AXLE	11
0501053834	MALE QUICK COUPLER	12
0501052671	24" BLADE DISC ASSY	13
0501052013	24" BLADE DISC WITH HOUSING	14
0501057526	DISC HUB	15
0511048955	ROD SYSTEM ASSEMBLY WITH CONDUCTOR	16
0511050407	ASSY CAGE ROLLER WITH SUPPORT	17
0531059714	BS PUMP SPRAYER CIRCUIT	18
0503064014	05 LITERS BS0016 SPRAY KIT	19
0503063000	MANUAL COMMAND	20
0503063113	1E/5S COMMUNICATOR VASE	21
0503063003	RESERVOIR OUTPUT ASSY	22
0503062999	FILTER SUCTION 1-1 / 4 ASSY	23
0503063001	SEMI MOUNTED PUMP	24
0503063005	RETURN CONNECTION	25
0503063004	AGITATOR KIT	26
0521057560	ENGINE WITH FULL LIMIT BLOCK	27
0531059559	650 LITERS ASSY RESERVOIR	28

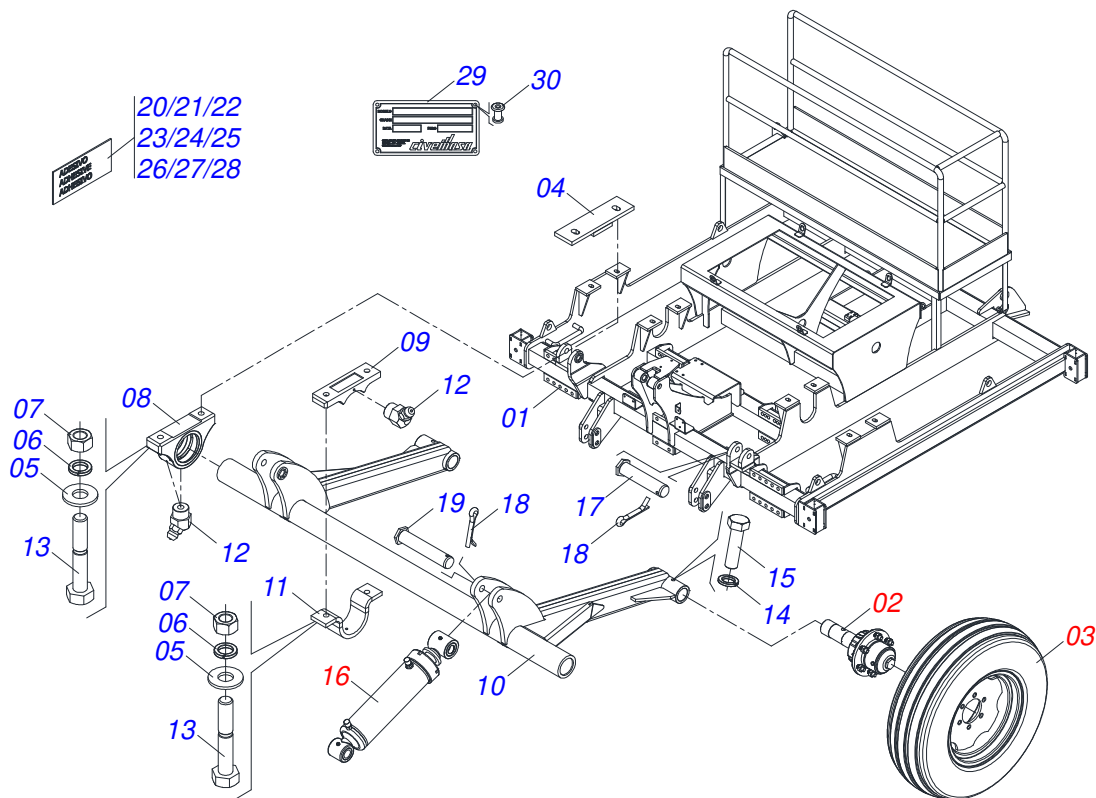


Item	Code	Description	See page	QT
01	0531059713	FRAME WITH WHEEL	2	01
02	0531010842	PIN WITH HEAD PN-600 3094941 ZN		02
03	0503010038	3/16 X 2 COTTERPIN		02
04	0531019338	PIN WITH HEAD PN-378 3095189 ZN		01
05	0503010523	1/4" X 2" SPLIT PIN		01
06	0531050054	ASSY DRAWBAR	6	01
07	0531050053	ASSY EXTENDER SET	8	01
08	0503010534	3/8 X 2-1/2 COTTERPIN		01
09	0521014934	PIN WITH HEAD PN-317 3094016 ZN		01
10	0591010815	1.3" X 2.3" X 0.2" FLAT WASHER		02
11	0501040257	ASSY 3/4 X 38 HOSE SUPPORT	9	01
12	0503014321	CABLE STEEL SHACKLE		02
13	0503014120	CHAIN		01
14	0531050052	43" ASSY JACK	10	04
15	0511063526	HYDRAULIC CONNECTION		01
16	0503010025	3/8 SPRING WASHER		02
17	0503010026	3/8" NUT		02
18	0501080439	3/8" X 43" TR-TR HOSE		01
19	0501080439	3/8" X 43" TR-TR HOSE		01
20	0501080439	3/8" X 43" TR-TR HOSE		01
21	0501080439	3/8" X 43" TR-TR HOSE		01
22	0521053757	3/8" X 118" TR-TM BLACK/RED HOSE		01
22A	0501080384	3/8" X 118" TR-TM HOSE		01
22B	0503034495	HYDRAULIC HOSE GRIP (RED)		01
22C	0503034492	HYDRAULIC HOSE GRIP (BLACK)		01
22D	0503018952	PLASTIC BOLT		06
23	0521053758	3/8" X 118" TR-TM BLACK/BLUE HOSE		01
23A	0501080384	3/8" X 118" TR-TM HOSE		01
23B	0503034494	HYDRAULIC HOSE GRIP (BLUE)		01
23C	0503034492	HYDRAULIC HOSE GRIP (BLACK)		01
23D	0503018952	PLASTIC BOLT		06

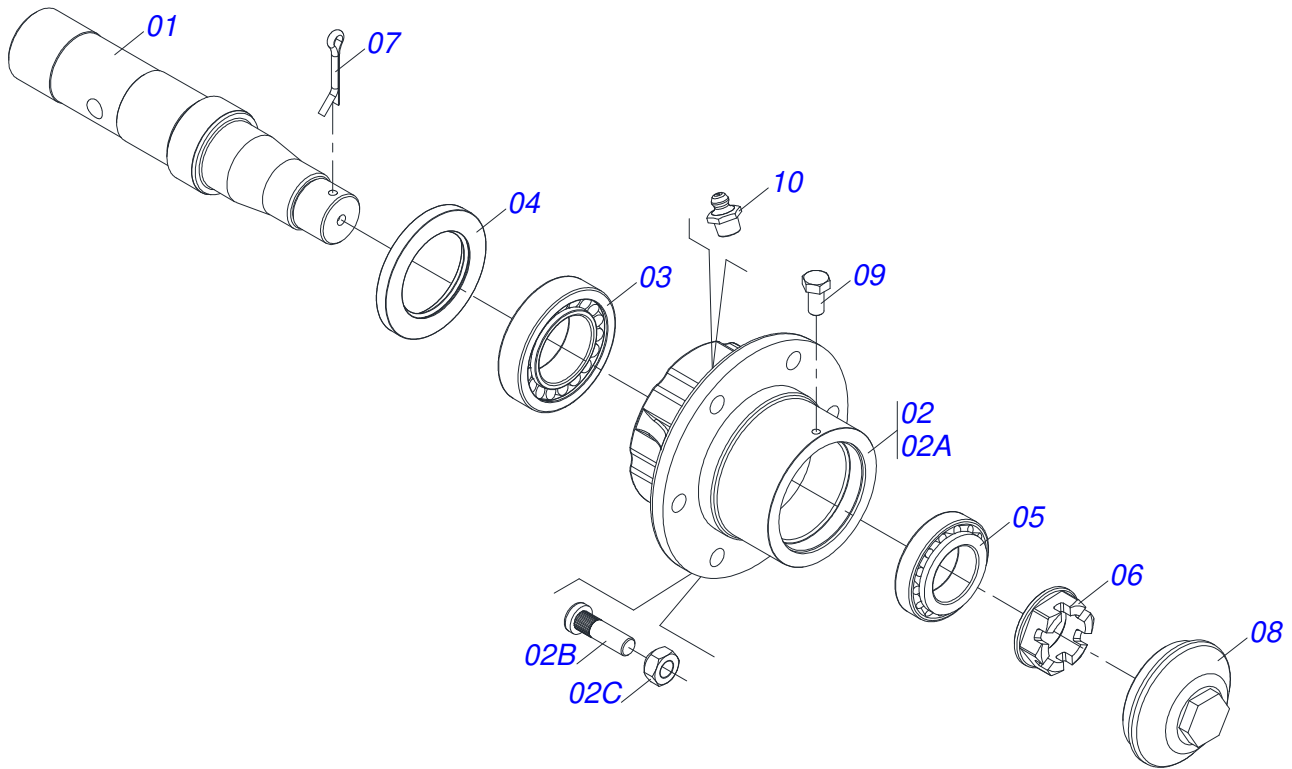
ASSY FRAME

0531044945

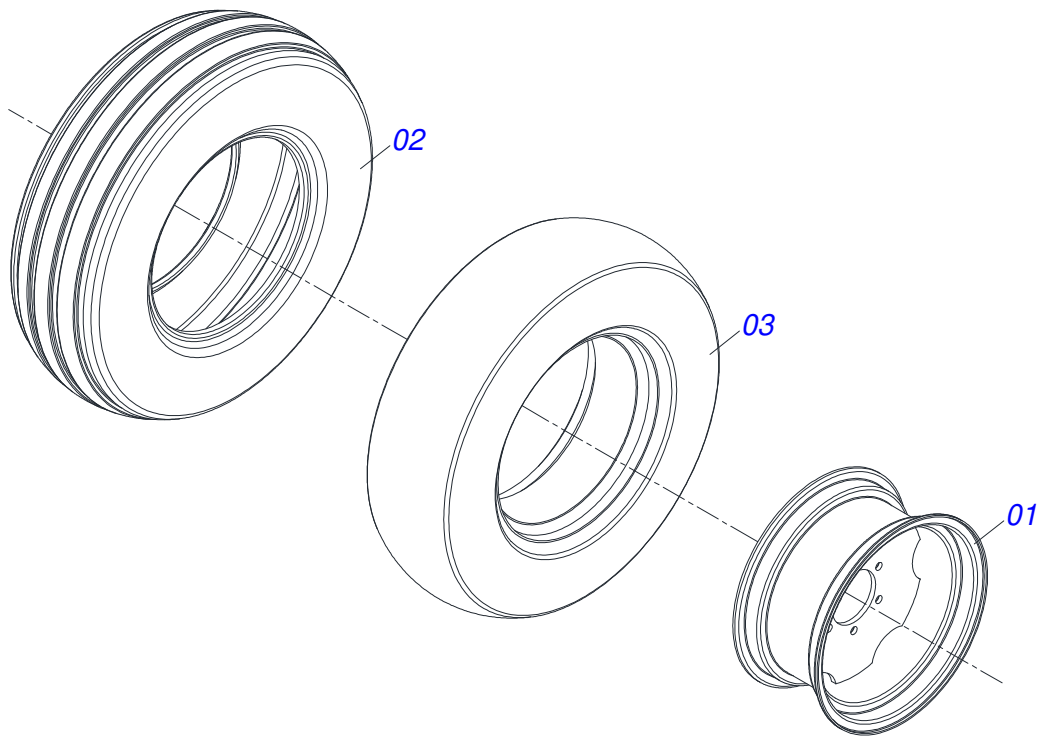
Item	Code	Description	See page	QT
24	0501053834	MALE QUICK COUPLER	12	02
25	0503010849	3/8" X 1-1/2" BOLT		02
26	0501052671	24" BLADE DISC ASSY	13	05
27	0501010827	3/4" X 2-3/4" BOLT		20
28	0503010023	3/4" SPRING WASHER		24
29	0503012183	SNC 3/4" ZIN 1K03097 NUT		24
30	0511048955	ROD SYSTEM ASSEMBLY WITH CONDUCTOR	16	05
31	0521061387	LADDER		01
32	0521017623	0.5" X 1.5" COUPLING SHAFT		02
33	0503010257	1/8" X 1" COTTERPIN		02
34	0521061461	ROLLER RIGHT ARM		01
35	0521061455	LEFT ROLLER ARM		01
36	0511050407	ASSY CAGE ROLLER WITH SUPPORT	17	01
37	0503012529	1-1/4" X 4-3/4" BOLT		04
38	0503010070	SPRING WASHER		04
39	0503012181	1.1/4" NUT		04
40	0503013185	3/4" X 5-1/2" BOLT		04
41	0591016357	SPRING ADJUSTMENT KEY		01
42	0511032610	BAG WITH INSTRUCTION MANUAL		01
43	0581011012	TRANSPORT LOCK		02
44	0541016844	FIXER LOCK		02
45	0503030285	HITCH PIN CLIP		02
46	0501047895	25 ROD STOP		06
47	0501047885	30 ROD STOP		02
48	0501047886	35 ROD STOP		02
49	0501047887	40 ROD STOP		02
50	0503034555	BUMPER STICKER ATTENTION CLEANING CONSERVATION		01
51	0503034556	STICKER DANGER CHEMICAL PRODUCTS		01
52	0531059714	BS PUMP SPRAYER CIRCUIT	18	01



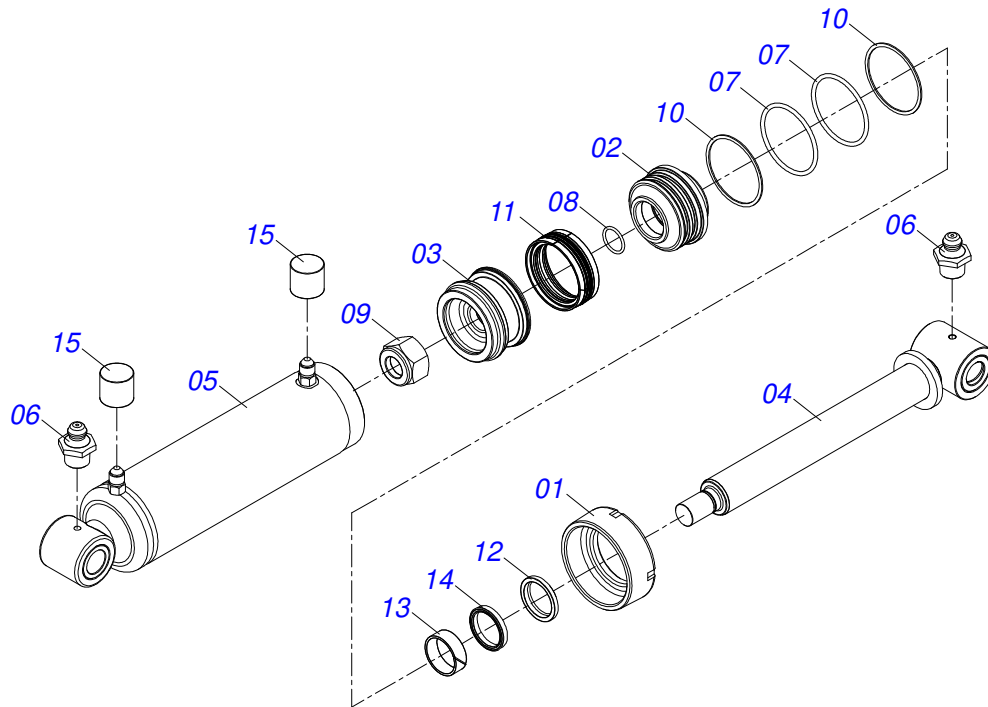
Item	Code	Description	See page	QT
01	0531066011	FRAME WITH PLATFORM		01
02	0501054685	WHEELS HUB ASSY	3	02
03	0503061874	WHEEL WITH TIRE	4	02
04	0511063688	BOOST BEARING		04
05	0501010322	FLAT WASHER		08
06	0503010023	3/4" SPRING WASHER		08
07	0503012183	SNC 3/4" ZIN 1K03097 NUT		08
08	0501110568	RIGHT PIVOT BEARING WITH SLEEVE		02
09	0502011159	LOWER HALF PIVOT BEARING		02
10	0531061703	WHEEL AXLE		01
11	0511016831	UPPER HALF PIVOT BEARING		02
12	0503010003	1845 GREASE FITTING		06
13	0501010216	3/4 UNC X 4.1/2 C S G.5 ZN BOLT		08
14	0503010027	5/8 SPRING WASHER		02
15	0503010762	SCREW 5/8 UNC X 3.1/2 CS G.5 ZN		02
16	0521053332	2" X 4" X 22" X 9" HYDRAULIC CYLINDER	5	02
17	0521068987	AXLE LATCH 31,75 X 150 HOLE 150		02
18	0503010523	1/4" X 2" SPLIT PIN		04
19	0521068984	AXLE LATCH 31,75 X 170 HOLE 150		02
20	0503033301	STAC P EMBLEM		02
21	0503033246	ADHESIVE LABEL		02
22	0503033647	APPROVED BADGE		01
23	0503031428	READ MANUAL DECAL		01
24	0503031739	ADHESIVE LABEL		01
25	0503031827	LUBRICATE AND RETIGHTEN DAILY DECAL		01
26	0503031803	IMPORTANT ADHESIVE STICKER		01
27	0503034078	LIFTING POINTS DECAL		04
28	0503034648	ADHESIVE LABEL		01
29	0503034004	ALUMINUM IDENTIFICATION LABEL		01
30	0503010001	3.2 X 5.5 RIVET		04



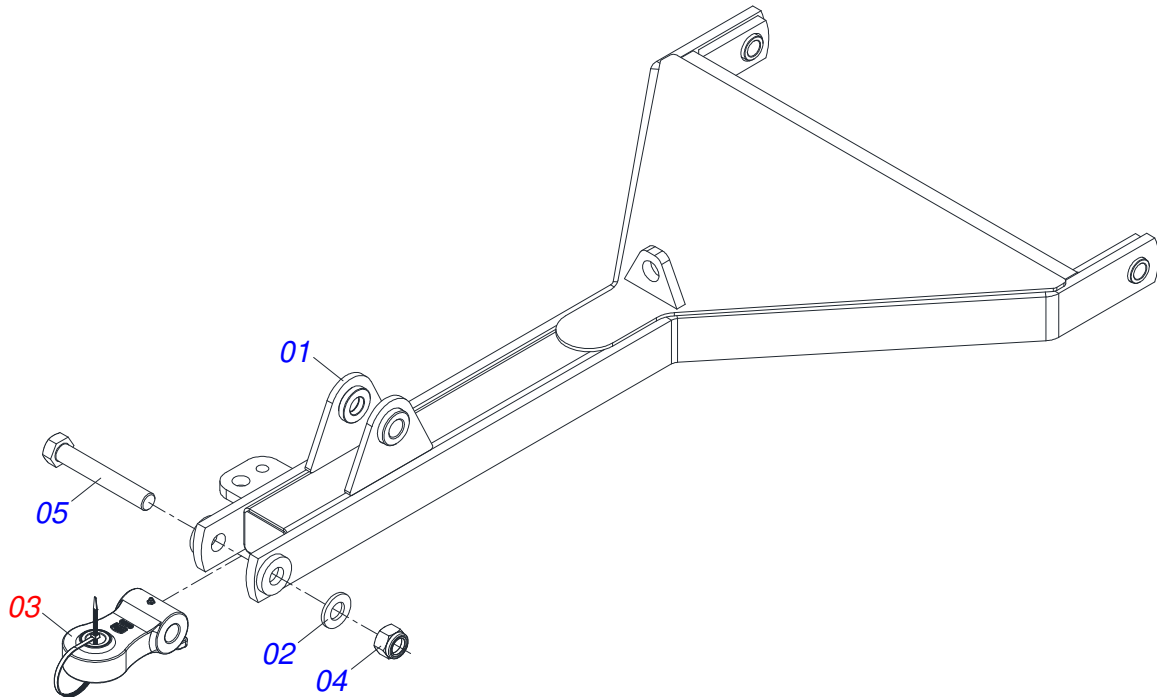
Item	Code	Description	See page	QT
01	0531019478	CR 30M/1 AXLE		01
02	0501110768	HUB CARRYING WHEELS WITH BOLT		01
02A	0502011389	BOX		01
02B	0501010186	WHEEL SCREW 5/8UNF X 2.1/8CR		06
02C	0503010064	5/8 UNF CONIC NUT		06
03	0503010005	32212 ROLLER BEARING		01
04	0503010009	RETAINER 00573-B		01
05	0503010006	32210 ROLLER BEARING		01
06	0501010888	1.3/4" 2.5/16" CASTLE NUT		01
07	0503010010	1/4" X 2.1/2" COTTERPIN		01
08	0502020593	COVER		01
09	0503010295	SCREW 5/16 UNC X 5/8 CS G.2 ZN		01
10	0503010002	1800 GREASE FITTING		01



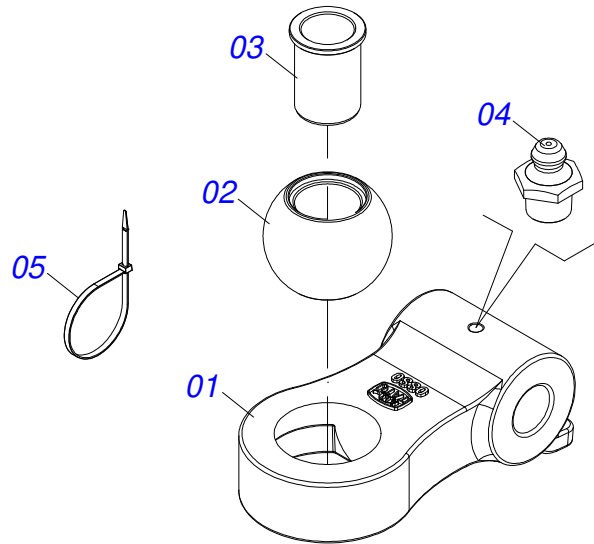
Item	Code	Description	See page	QT
01	0503015548	W9 X 18 HOOP WHEEL		01
02	0503015547	10.5 10L TIRE		01
03	0503015549	10,5 INNER TIRE		01



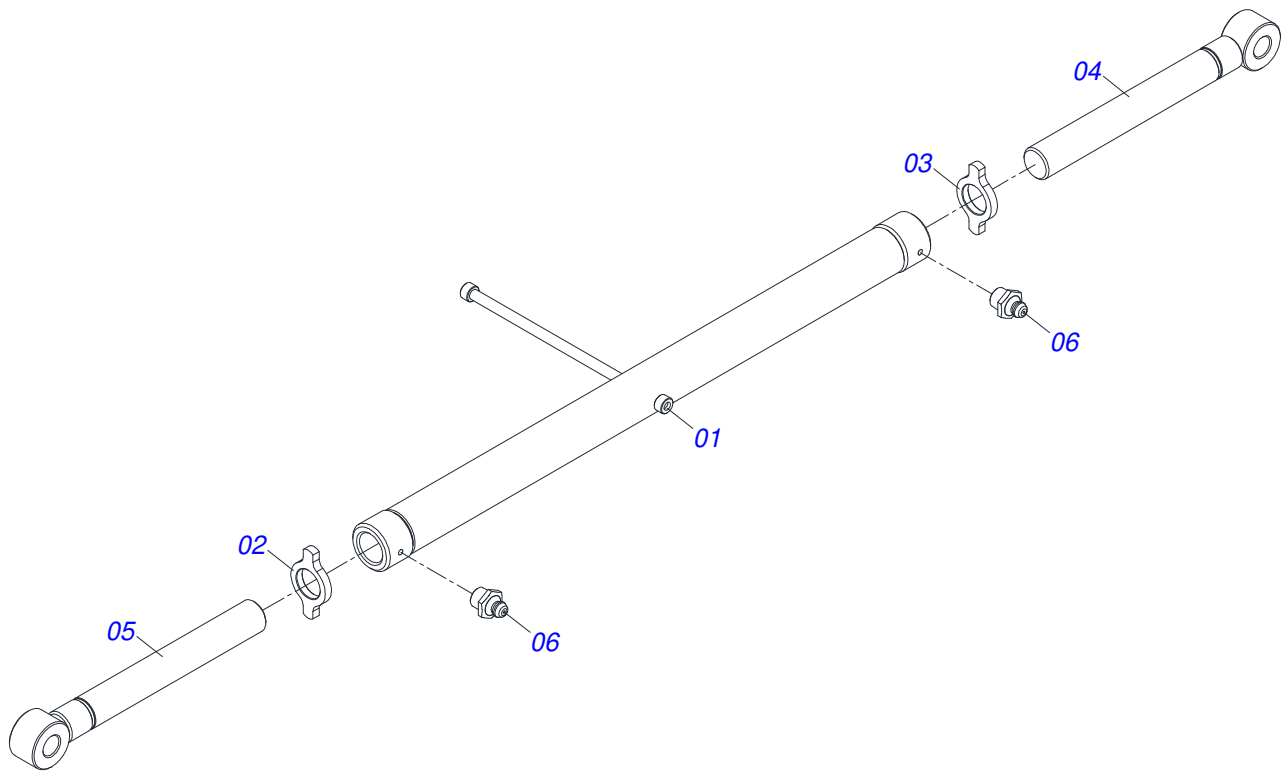
Item	Code	Description	See page	QT
01	0502012822	101.60 END CAP		01
02	0581010678	50,80 X 101 RING SUPPORT		01
03	0502012842	50,80 X 101,60 PISTON		01
04	0521066898	EXTENDER 50.80 X 492.50		01
05	0511071442	SHIRT 101.6 X 447.5		01
06	0503010002	1800 GREASE FITTING		02
07	0503010338	2-342 N 3006-9B O'RING		02
08	0503010345	2-218 N 3006-9B O'RING		01
09	0503010817	1.1/4" SELF LOCKING NUT		01
10	0503011061	8-342 BACK-UP RING		02
11	0503015633	SELEMASTER SEALING		01
12	0503015636	SCRAPER SEAL		01
13	0503018025	RING GUIDE		01
14	0503018026	1870-2000-375 B GASKET		01
15	0503030385	CYLINDER PLUG N-002		02
16	0511032511	ASSY CYLINDER REPAIR KIT 50.8X101.6		01



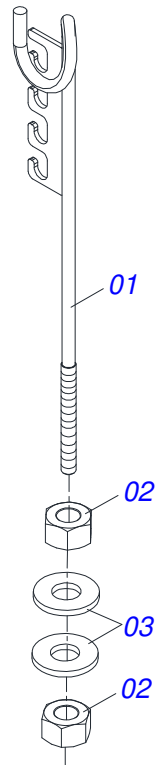
Item	Code	Description	See page	QT
01	0531061702	DRAWBAR WITHOUT HITCH		01
02	0501010086	FLAT WASHER		01
03	0521057520	HITCH ASSY	7	01
04	0503010817	1.1/4" SELF LOCKING NUT		01
05	0521017351	1-1/4" X 8" BOLT		01



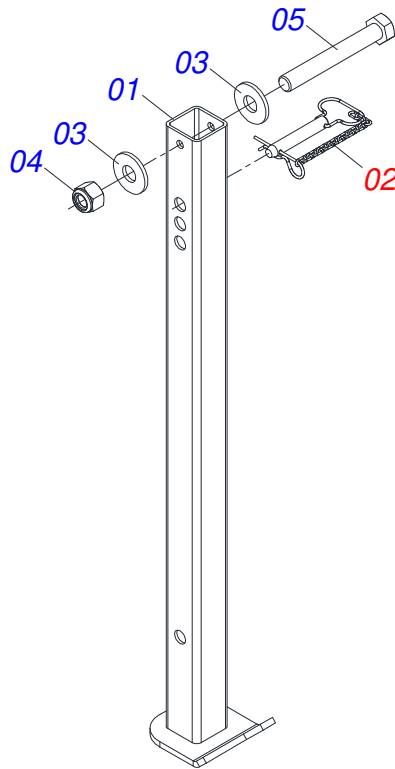
Item	Code	Description	See page	QT
01	0502040880	HITCH BODY		01
02	0502040885	BODY ATTACHMENT		01
03	0591012511	SLEEVE		01
04	0503010002	1800 GREASE FITTING		01
05	0503018829	NYLON CLAMP		01



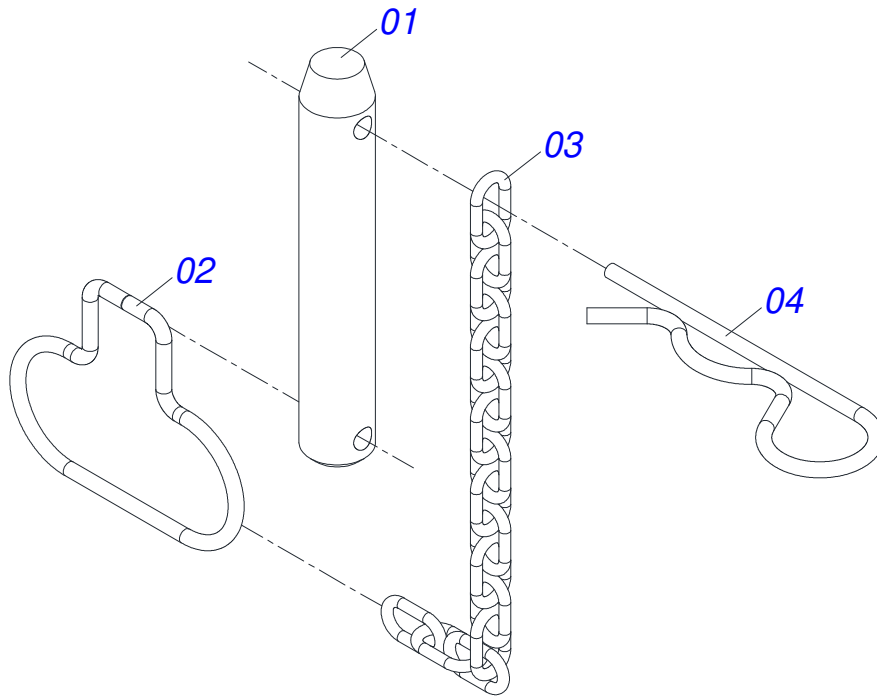
Item	Code	Description	See page	QT
01	0511060740	TURNBUCKLE		01
02	0561019303	RIGHT LOCKNUT		01
03	0561019304	LEFT LOCKNUT		01
04	0521068330	LEFT SPINDLE EXTENDER R 2 UNC 8FPP		01
05	0521068329	EXTENDER RIGHT SPINDLE R 2 UNC 8FPP		01
06	0503010002	1800 GREASE FITTING		02



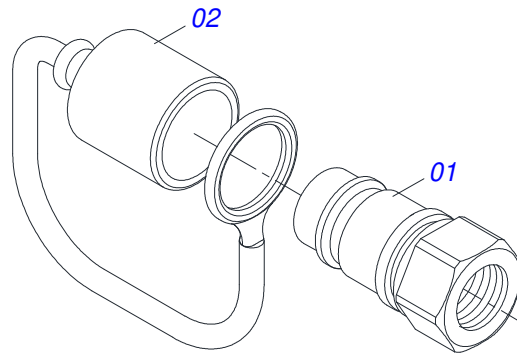
Item	Code	Description	See page	QT
01	0511067334	HOSE SUPPORT		01
02	0503010014	3/4" HEX NUT		02
03	0501010322	FLAT WASHER		02



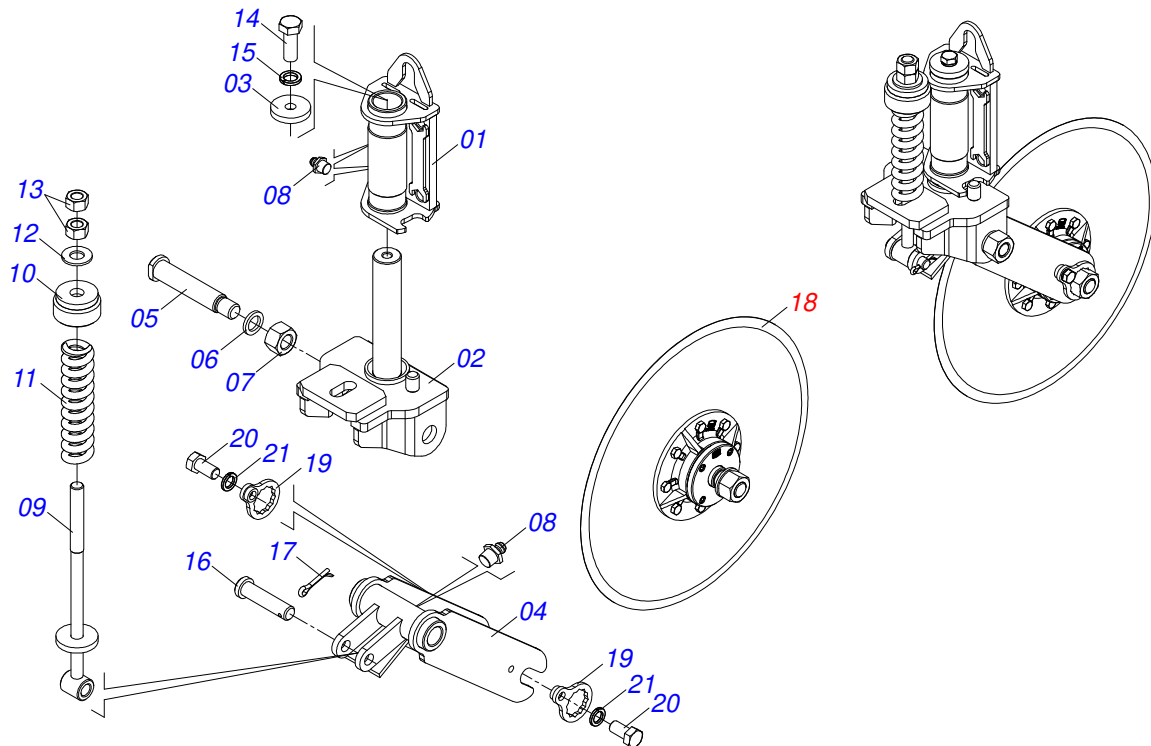
Item	Code	Description	See page	QT
01	0531061704	43" JACK		01
02	0531050051	0.7" X 4" ASSY AXLE	11	01
03	0511017302	FLAT WASHER 13,50 X 32,50 X 3,0 ZN		02
04	0503010589	1/2" UNC SELF ADJUSTING NUT		01
05	0503011140	1/2" X 3-3/4" BOLT		01



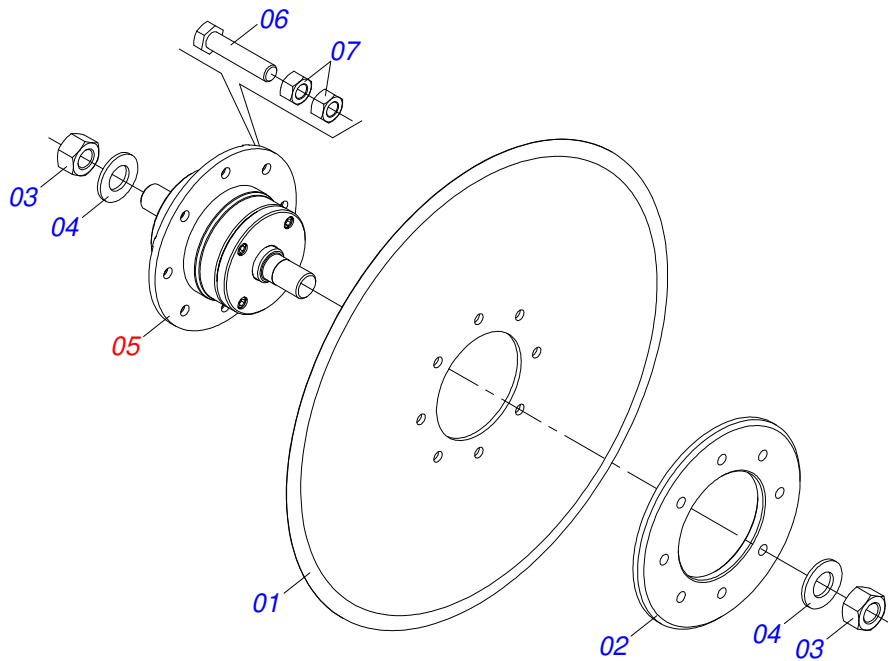
Item	Code	Description	See page	QT
01	0591016355	0.7" X 4" AXLE		01
02	0503034794	HANDLE PIN HITCH 4MM		01
03	0503034756	3,00 X 16 CHAIN		01
04	0503030012	HITCH PIN CLIP		01



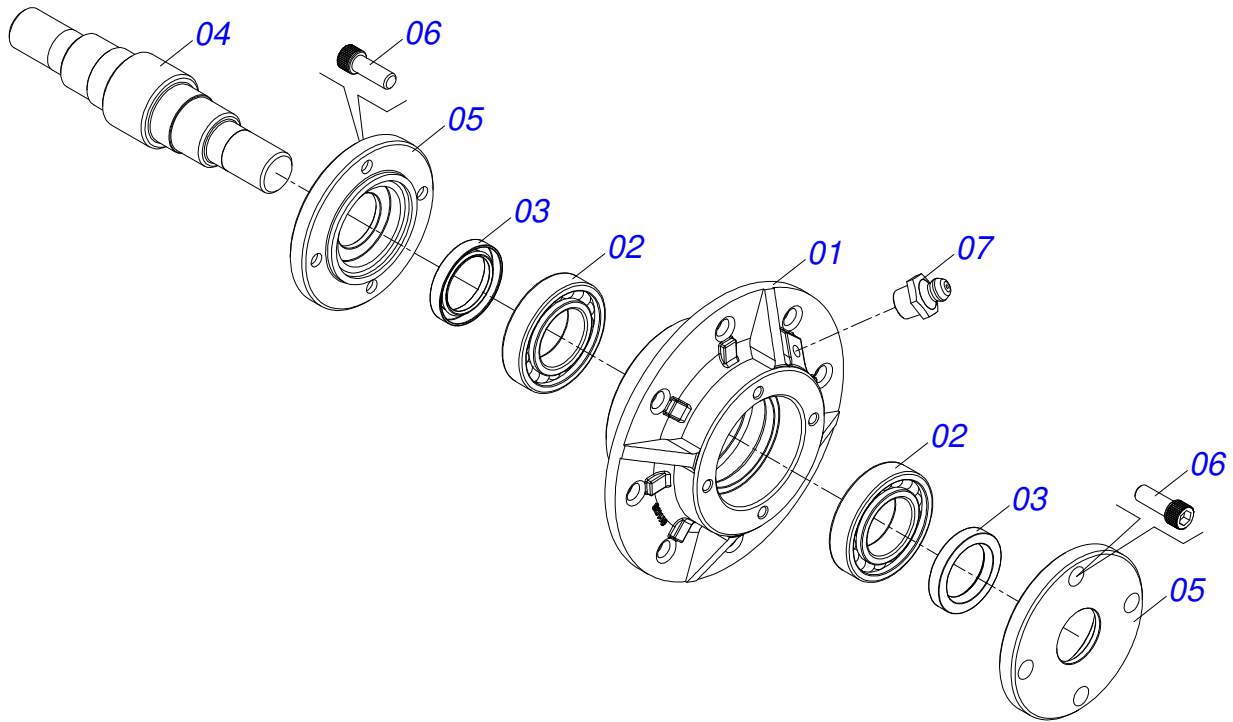
Item	Code	Description	See page	QT
01	0503011627	MALE QUICK COUPLER AGR 1/2 NPT		01
02	0503011882	MALE QUICK COUPLER CAP		01



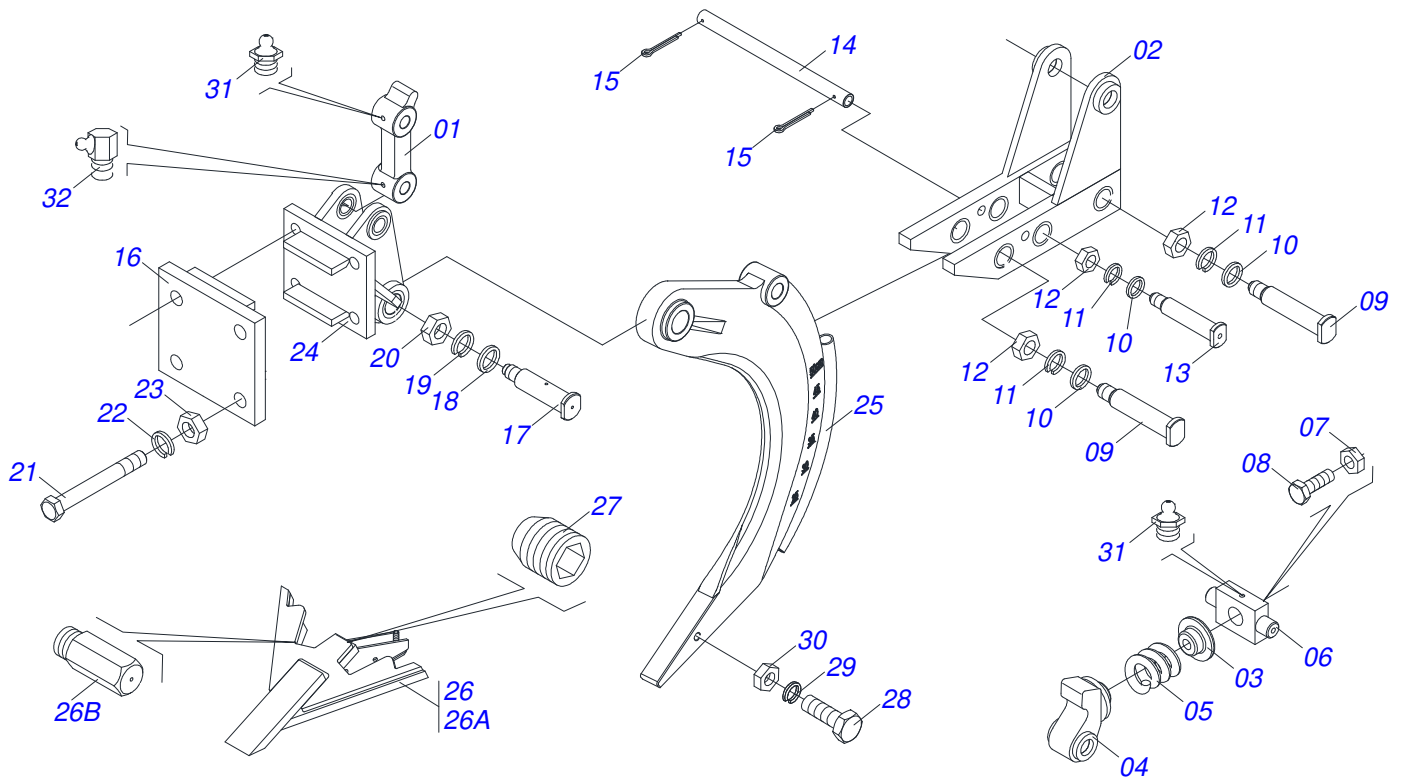
Item	Code	Description	See page	QT
01	0501069386	DISC BLADE SUPPORT		01
02	0511061619	SWIVEL BASE		01
03	0521012660	SWIVEL BASE WASHER		01
04	0511061618	BLADE DISC FORK		01
05	0521012662	SWIVEL BASE SUPPORT AXLE		01
06	0521012664	FLAT WASHER		01
07	0501010087	1.1/4" NUT		01
08	0503010002	1800 GREASE FITTING		03
09	0511061612	SPRING ROD		01
10	0511062801	SPRING FIXER SLEEVE		01
11	0503031593	SPRING		01
12	0501010065	1" SPRING WASHER		01
13	0503012182	1" NUT		02
14	0501010098	3/4" UNC BOLT		01
15	0503011442	3/4" SPRING WASHER		01
16	0521012659	SPRING ROD FIXER AXLE		01
17	0503010571	1/4" X 1.1/2 COTTERPIN		01
18	0501052013	24" BLADE DISC WITH HOUSING	14	01
19	0501069637	AXLE NUT LOCK		02
20	0503010962	5/8" X 1-1/4" BOLT		02
21	0503011445	SPRING WASHER		02



Item	Code	Description	See page	QT
01	0603030044	24" X 0.2" FLAT PLAIN DISC		01
02	0521011824	DISC BLADE SUPPORT FLANGE		01
03	0501010087	1.1/4" NUT		02
04	0501017779	32 X 60 X 4.75 FLAT WASHER		02
05	0501057526	DISC HUB	15	01
06	0503010905	1/2" X 2-1/4" BOLT		08
07	0503010060	1/2 UNC G.5 ZN HEX NUT		16

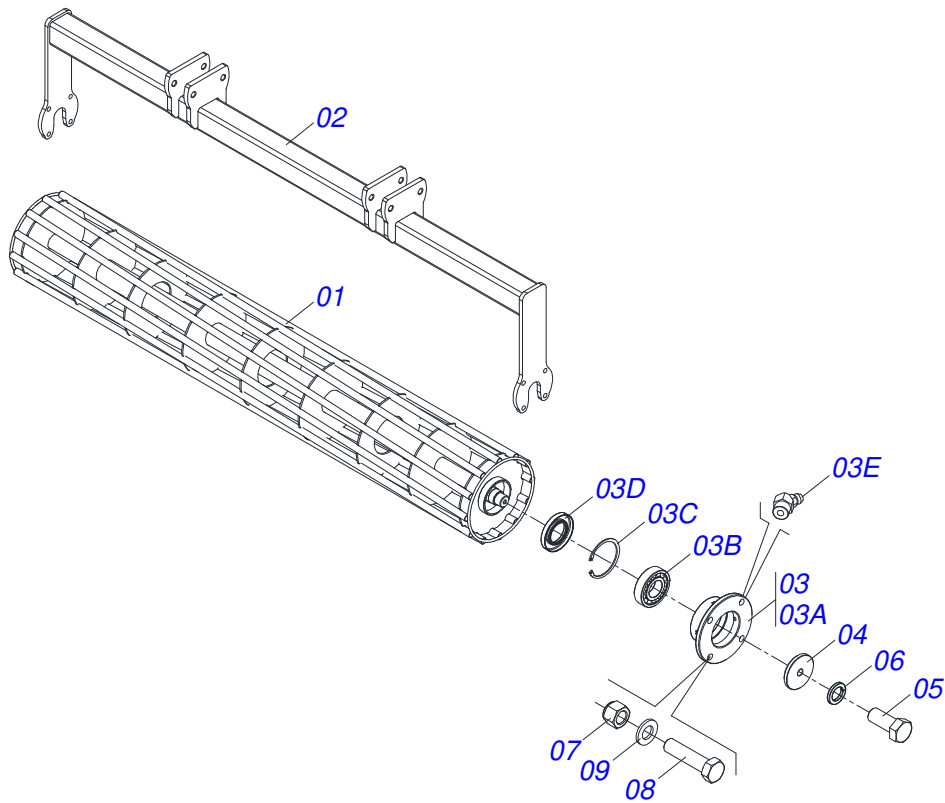


Item	Code	Description	See page	QT
01	0502011478	DISC HUB		01
02	0503011291	6209 BALL BEARING		02
03	0503012106	SEAL RETAINER 00521-BR		02
04	0521012661	DISC BLADE HUB AXLE		01
05	0502011477	BLADE DISC HOUSIG CP		02
06	0503010134	3/8" X 1" BOLT		08
07	0503010002	1800 GREASE FITTING		01
08	1882970002	GREASE SOAP		0,03Kg

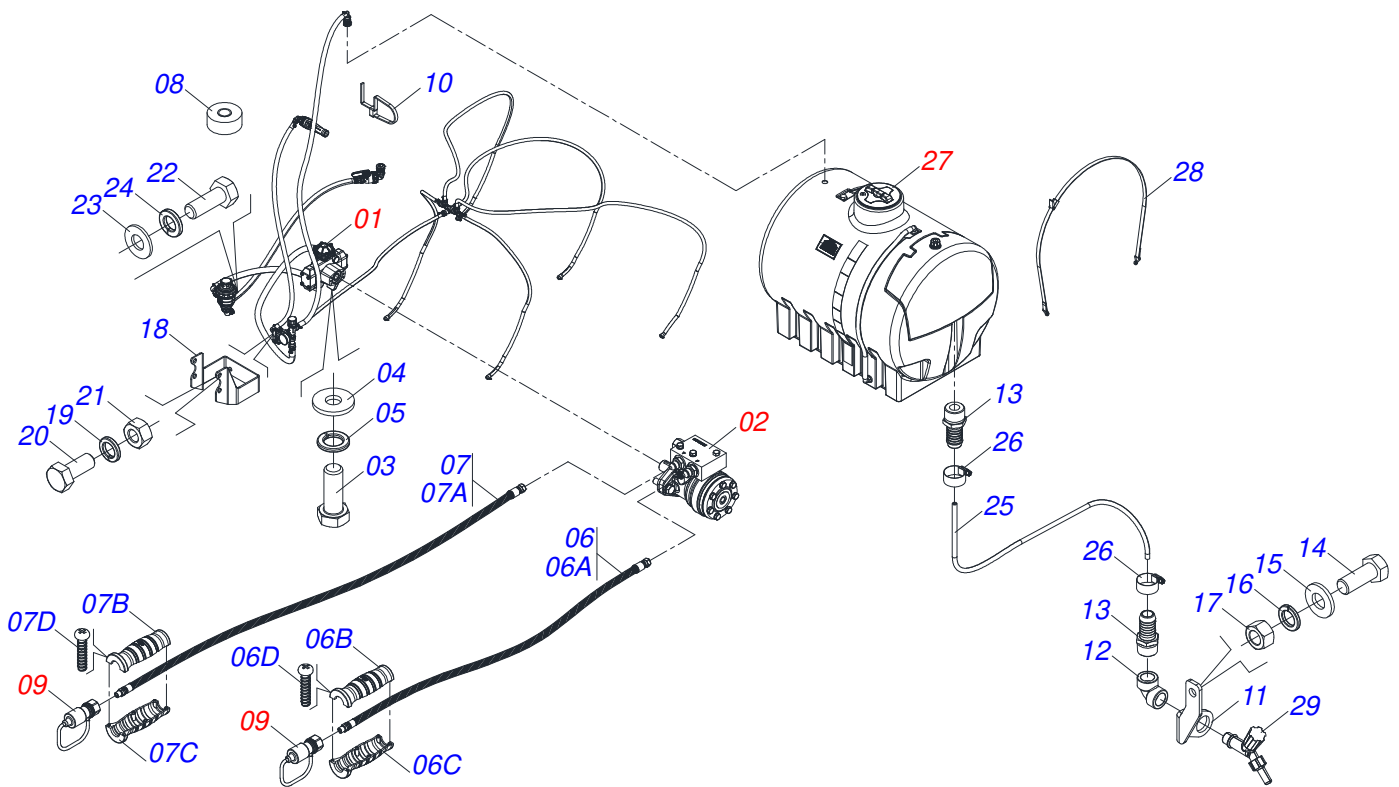


Item	Code	Description	See page	QT
01	0502040792	UPPER ARM DISARM		01
02	0502012550	LOWER ARM DISARM		01
03	0521017340	SPRING GUIDE		01
04	0502040791	HITCH DISARM		01
05	0503031882	SPRING		01
06	0502012547	SUPPORT BOLT		01
07	0503012670	LOCKNUT 1-1/2"		01
08	0521017339	REGULATION BOLT		01
09	0521017256	DISARMENT PIN		03
10	0501010076	FLAT WASHER		04
11	0503011447	SPRING WASHER		04
12	0503012182	1" NUT		04
13	0521017255	DISARMENT PIN		01
14	0521017338	PIN LOCK CACC 32600 4081632 ZN		01
15	0503010362	1/8 X 1.1/4 COTTERPIN		02
16	0502012548	ROD HOLDER ASSEMBLY		01
17	0521017254	ARTICULATION PIN		01
18	0501010086	FLAT WASHER		01
19	0503011439	1.1/4" SPRING WASHER		01
20	0503010352	1.1/4" UNF NUT		01
21	0503013137	1" X 8" BOLT		04
22	0503011438	SPRING WASHER		04
23	0503012182	1" NUT		04
24	0502012549	ROD SUPPORT		01
25	0521062035	ROD WITH CONDUCTOR		01
26	0511049712	ASSY TIP ROD ASSY		01
26A	0521062454	ROD TIP		01
26B	0561019241	HERBICIDE OUTLET DUCT		04
27	0561014975	PLUG		04
28	0503010734	1/2" X 2-1/2" BOLT		01
29	0503010019	1/2" SPRING WASHER		01

Item	Code	Description	See page	QT
30	0503010060	1/2 UNC G.5 ZN HEX NUT		01
31	0503010002	1800 GREASE FITTING		04
32	0503010003	1845 GREASE FITTING		01

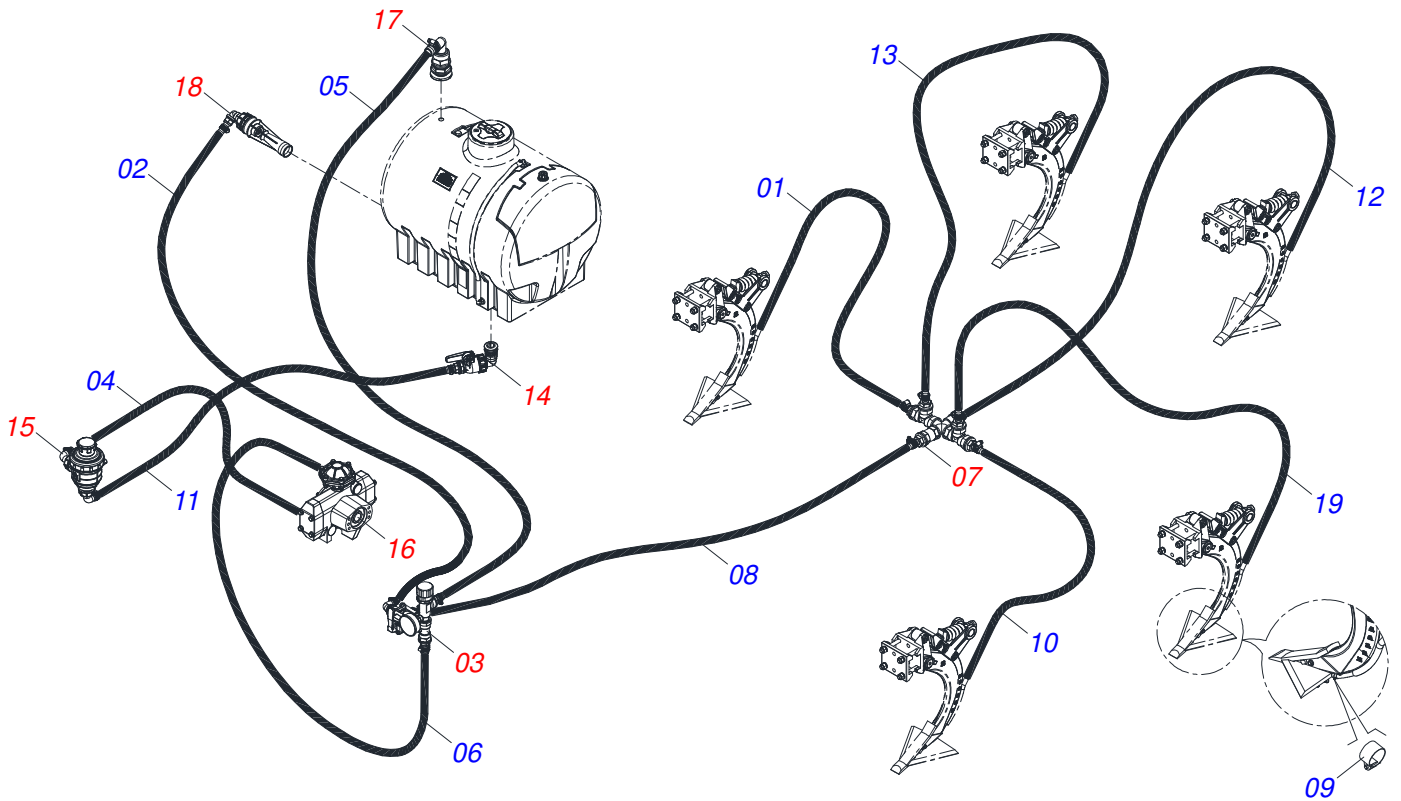


Item	Code	Description	See page	QT
01	0511062316	ARM ROLLER		01
02	0511062317	ROLLER ARM		01
03	0501052622	BOX BREAK ROLLER		02
03A	0521016749	CAGE ROLLER HUB		02
03B	0503012107	BALL BEARING		02
03C	0503011420	502100 CLAMPING RING (FOR AXLE)		02
03D	0503011418	01669-BR SEAL		02
03E	0503010003	1845 GREASE FITTING		02
04	0521016751	ROLLFIXER CUBE		02
05	0503011267	5/8 UNC X 1.1/2 C S G.5 ZN BOLT		02
06	0503010027	5/8 SPRING WASHER		02
07	0503010811	5/8" UNF SELF ADJUSTING NUT		08
08	0503011067	5/8" X 2-1/2" BOLT		08
09	0501310912	0.6" X 1" X 0.1" ZN FLAT WASHER		08

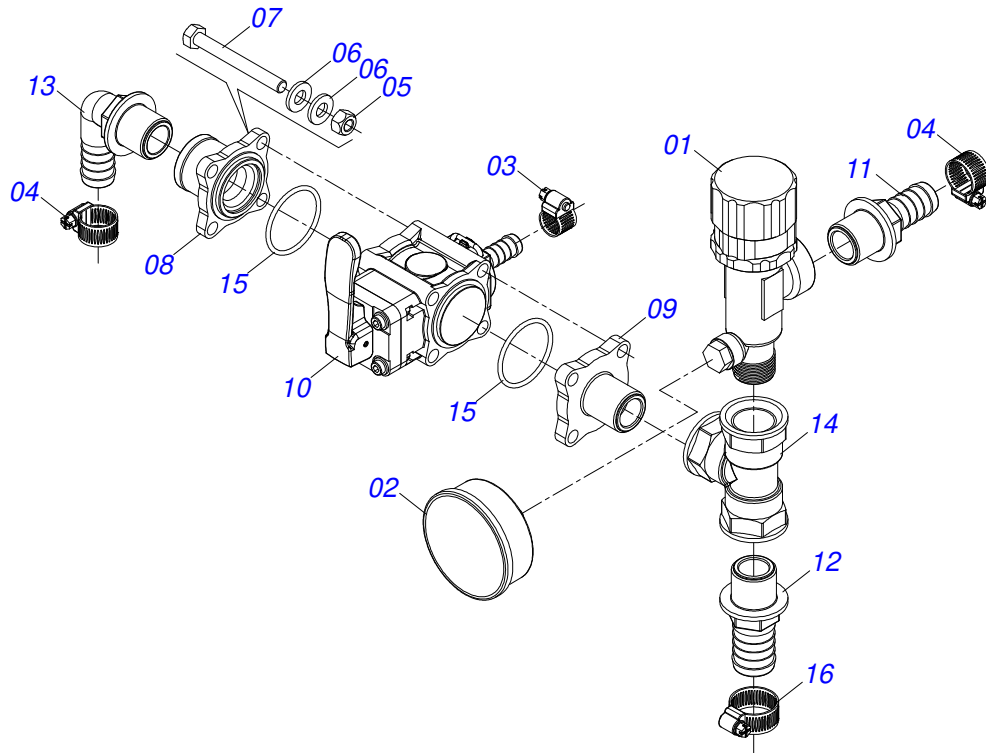


Item	Code	Description	See page	QT
01	0503064014	05 LITERS BS0016 SPRAY KIT	19	01
02	0521057560	ENGINE WITH FULL LIMIT BLOCK	27	01
03	0503010237	3/8" X 1" BOLT		04
04	0501010984	10,50 X 27 X 3,00 FLAT WASHER		04
05	0503010025	3/8 SPRING WASHER		04
06	0521057541	3/8" X 141" TR-TM YELLOW/RED HOSE		01
06A	0501081660	3/8" X 141" TR-TM HOSE		01
06B	0503034495	HYDRAULIC HOSE GRIP (RED)		01
06C	0503034493	HYDRAULIC HOSE DEPTH (YELLOW)		01
06D	0503018952	PLASTIC BOLT		06
07	0521057540	3/8" X 141" TR-TM YELLOW/BLUE HOSE		01
07A	0501081660	3/8" X 141" TR-TM HOSE		01
07B	0503034494	HYDRAULIC HOSE GRIP (BLUE)		01
07C	0503034493	HYDRAULIC HOSE DEPTH (YELLOW)		01
07D	0503018952	PLASTIC BOLT		06
08	0503013171	SEALING		01
09	0501053834	MALE QUICK COUPLER	12	02
10	0503010267	NYLON CLAMP		02
11	0581016309	TAP HOLDER		01
12	0503013969	3/4 ELBOW THREAD		01
13	0503014257	POINT		02
14	0503014007	1/2" X 1-1/4" BOLT		01
15	0501010937	13,50 X 28 X 3,00 FLAT WASHER		01
16	0503010019	1/2" SPRING WASHER		01
17	0503010028	1/2" NUT		01
18	0591010733	COMMAND FIXING SUPPORT		01
19	0503010179	LOCK WASHER 5/16 ZN 1K01528		02
20	0503016506	5/16 UNC X 3/4 C S G.5 ZN BOLT		02
21	0503010337	5/16" NUT		02
22	0503015114	BOLT		03
23	0501010694	FLAT WASHER		03

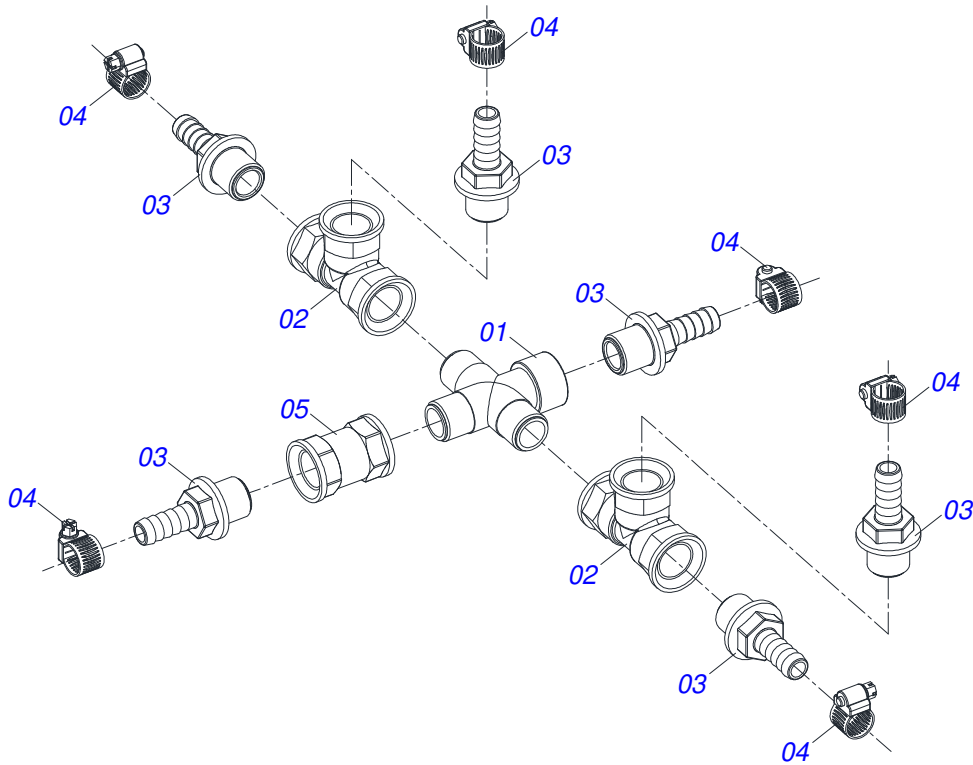
Item	Code	Description	See page	QT
24	0503014371	M8 SPRING WASHER		03
25	0571013300	1/2" X 94" AB-AB SANSUY ORANGE HOSE		01
26	0503013973	22 X 32 CLAMP		02
27	0531059559	650 LITERS ASSY RESERVOIR	28	01
28	0513011590	0.9" X 0.18" RATCHET TIE STRAP SET		02
29	0503018694	WATER TAP		01



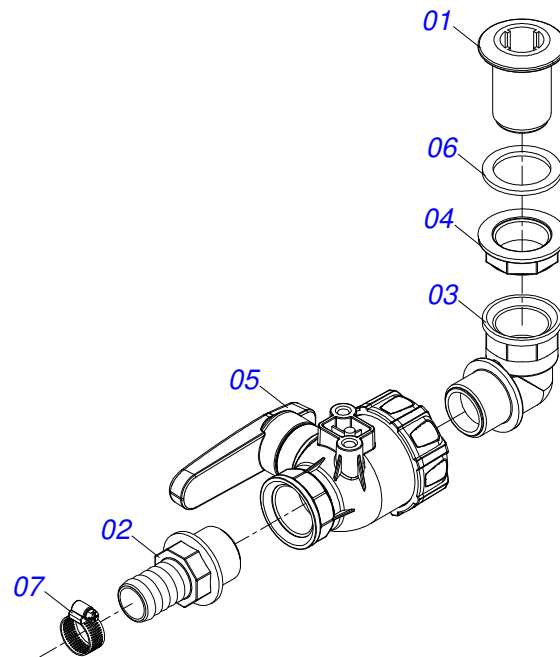
Item	Code	Description	See page	QT
01	0503035042	1/2" X 55" BLACK PVC 300 PSI WINDFOOT HOSE		01
02	0503036101	3/4" X 62" BLACK PVC 300 PSI WINDFOOT HOSE		01
03	0503063000	MANUAL COMMAND	20	01
04	0503035053	1" X 33" BLACK PVC 300 PSI WINDFOOT HOSE		01
05	0503036219	3/4" X 90" BLACK PVC 300 PSI WINDFOOT HOSE		01
06	0503035041	1/2" X 51" BLACK PVC 300 PSI WINDFOOT HOSE		01
07	0503063113	1E/5S COMMUNICATOR VASE	21	01
08	0503036218	1/2" X 70" BLACK PVC 300 PSI WINDFOOT HOSE		01
09	0503014255	14 X 22 CLAMP		05
10	0503035042	1/2" X 55" BLACK PVC 300 PSI WINDFOOT HOSE		01
11	0503035055	1" X 53" BLACK PVC 300 PSI WINDFOOT HOSE		01
12	0503035045	1/2" X 90" BLACK PVC 300 PSI WINDFOOT HOSE		01
13	0503035083	1/2" X 104" BLACK PVC 300 PSI WINDFOOT HOSE		01
14	0503063003	RESERVOIR OUTPUT ASSY	22	01
15	0503062999	FILTER SUCTION 1-1 / 4 ASSY	23	01
16	0503063001	SEMI MOUNTED PUMP	24	01
17	0503063005	RETURN CONNECTION	25	01
18	0503063004	AGITATOR KIT	26	01
19	0503035083	1/2" X 104" BLACK PVC 300 PSI WINDFOOT HOSE		01



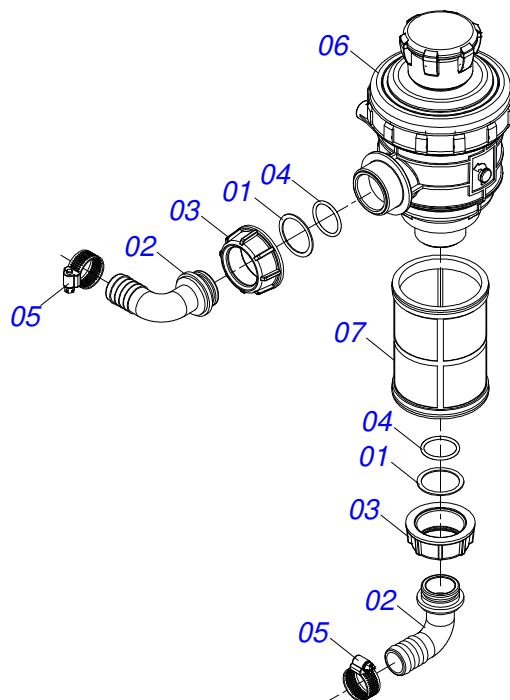
Item	Code	Description	See page	QT
01	0503019499	PRESSURE REGULATING VALVE 3/4		01
02	0503019498	MANOMETER		01
03	0503019473	1/2 HOSE CLAMP		01
04	0503019497	3/4 HOSE CLAMP		02
05	0503019496	HEX NUT		04
06	0503019495	FLAT WASHER M8		08
07	0503019494	HEX SCREW		04
08	0503019493	FLANGE CONNECTION		01
09	0503019492	FLANGE CONNECTION		01
10	0503019491	SECTION VALVE MANUAL DRIVE CONTROL		01
11	0503019490	STRAIGHT CONNECTION G3 / 4		01
12	0503019489	STRAIGHT CONNECTION G3 / 4		01
13	0503019488	G3 / 4 CURVE CONNECTION		01
14	0503019487	G3/4 CONNECTION T		01
15	0503019486	ORING RING 2,62X39,34X44,58		02
16	0503019481	HOSE CLAMP		01



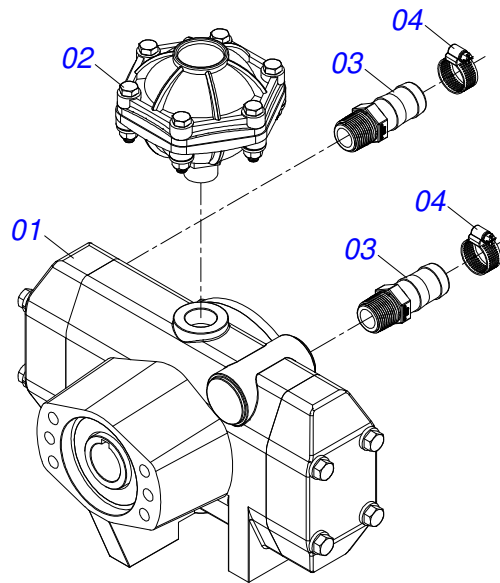
Item	Code	Description	See page	QT
01	0503019660	SP3-150120 MALE 3V CONNECTOR	01	
02	0503019663	SP3-1302020 T CONNECTOR	02	
03	0503019661	SP3-1032213 STRAIGHT CONNECTOR	06	
04	0503019473	1/2 HOSE CLAMP	06	
05	0503019662	SP3-2302020 SLEEVE CONNECTOR	01	



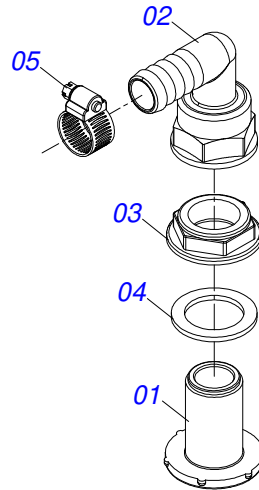
Item	Code	Description	See page	QT
01	0503019508	OUTPUT CONNECTION		01
02	0503019507	STRAIGHT G1 CONNECTION		01
03	0503019506	CURVE CONNECTION		01
04	0503019505	CONNECTION AGAINST NUT		01
05	0503019504	BALL VALVE		01
06	0503019503	FLAT JOINT		01
07	0503019481	HOSE CLAMP		01



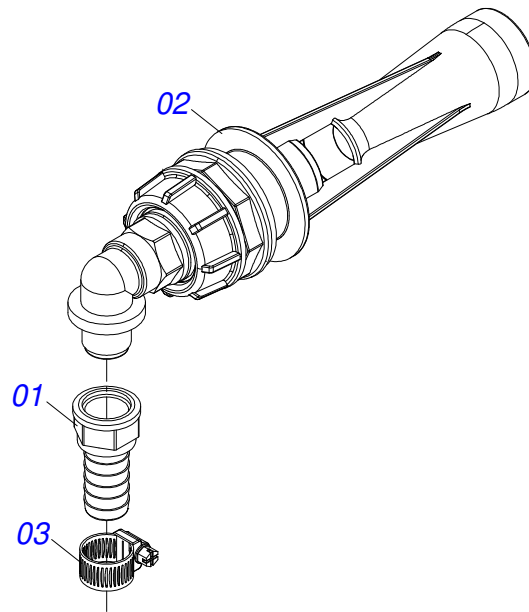
Item	Code	Description	See page	QT
01	0503019485	FLAT JOINT		02
02	0503019484	CURVE CONNECTION D25-SP3-116525		02
03	0503019483	CONNECTION NUT 1-1 / 4 SP3-2002050		02
04	0503019482	RING ORING 2.62 X 26.65X31.89 SP3-G10051		02
05	0503019481	HOSE CLAMP		02
06	0503019480	FILTER 1-1/4		01
07	0503019479	FILTER ELEMENT		01



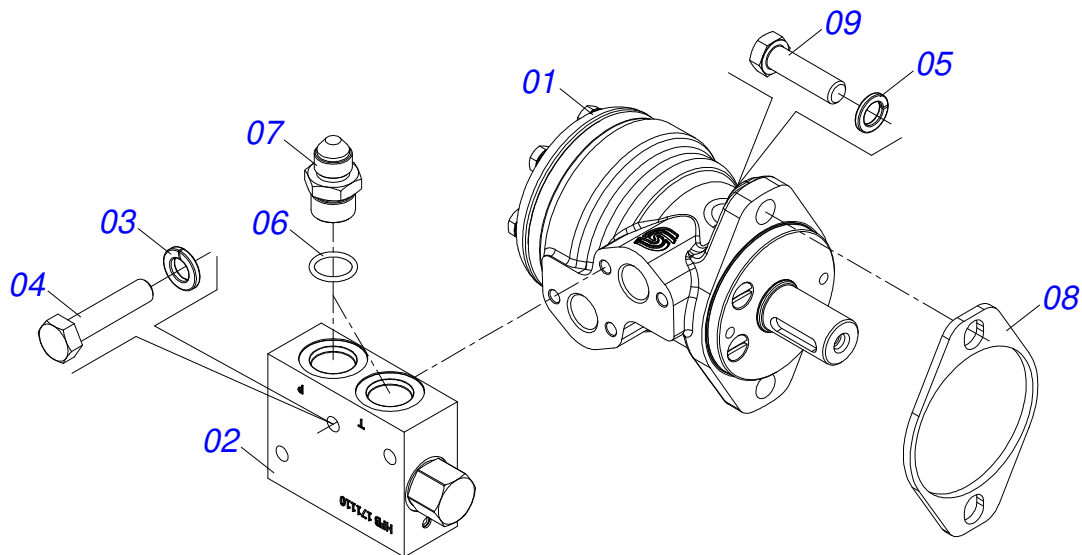
Item	Code	Description	See page	QT
01	0503063053	DOUBLE PISTON PUMP		01
02	0503063052	ANTI PULSE		01
03	0503019500	CONNECTION		02
04	0503019481	HOSE CLAMP		02



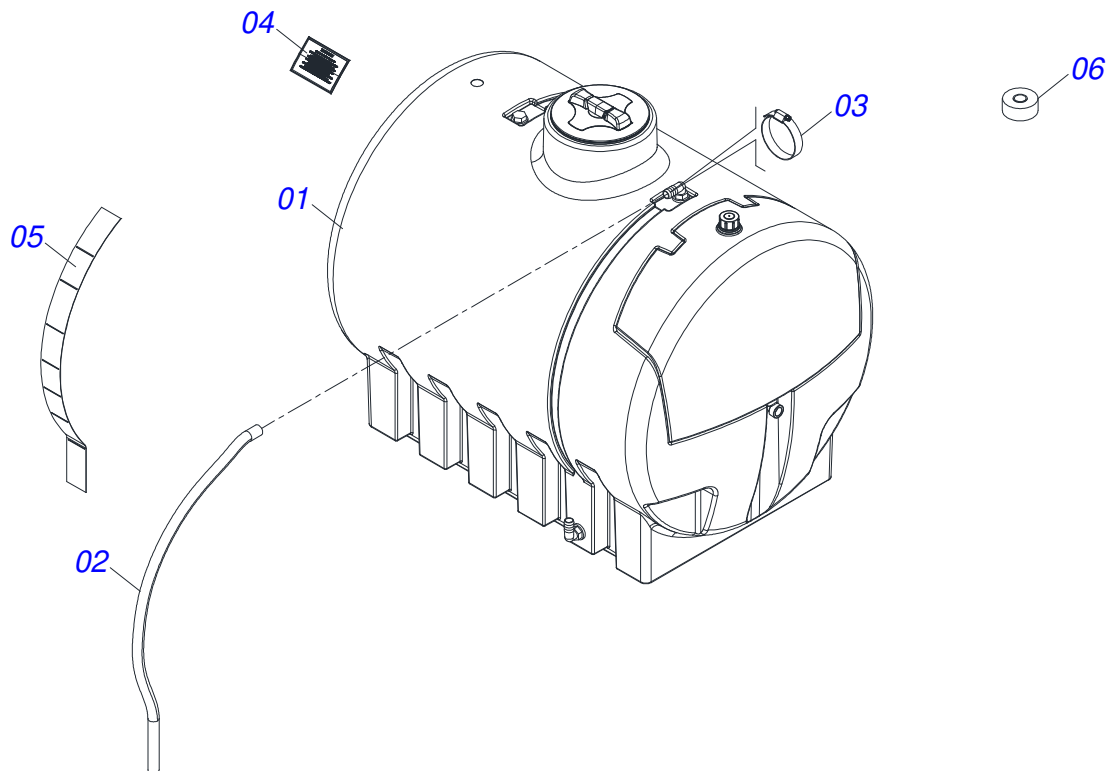
Item	Code	Description	See page	QT
01	0503019514	G3 / 4 OUTPUT CONNECTION		01
02	0503019513	G3 / 4 CURVE CONNECTION		01
03	0503019512	CONNECTION AGAINST NUT G3 / 4		01
04	0503019511	FLAT JOINT 27,5X39,5X2,5		01
05	0503019497	3/4 HOSE CLAMP		01



Item	Code	Description	See page	QT
01	0503019510	STRAIGHT CONNECTION		01
02	0503019509	AGITATOR		01
03	0503019497	3/4 HOSE CLAMP		01



Item	Code	Description	See page	QT
01	0503015422	MOTOR		01
02	0503062758	COMMAND BLOCK		01
03	0503014371	M8 SPRING WASHER		03
04	0503015149	M8 X 1,25 X 50 BOLT		03
05	0503010019	1/2" SPRING WASHER		02
06	0503010045	O'RING		02
07	0511010111	7/8" NIPPLE		02
08	0591010750	FLANGE MOTOR		01
09	0503011082	C1/2" X 1.3/4" SCREW		02



Item	Code	Description	See page	QT
01	0501310675	650 LITERS RESERVOIR		01
02	0501310724	1" X 44" TRANSPARENT HOSE		01
03	0503019481	HOSE CLAMP		02
04	0503018520	ADHESIVE LABEL		01
05	0503036207	650 LITERS RESERVOIR LEVEL ADHESIVE LABEL		01
06	0503013171	SEALING		01



civemasa

Technical Publications | Elaboration and Revision

LEONARDO JOSÉ DA SILVA SOUZA

www.civemasa.com.br

