

DISK HARROWS

**GDF 48/52/56/60/64/68/72/76/80/84D - PA -
1.1/2" AXLE**

Code: 0501093356
Series: S-0222
Revision: 00
Revision Date: NOVEMBRO/2022

**PARTS
CATALOGUE**

CIVEMASA

PRODUCTS

Code	Description
0121110147	GDF 48 X 20 X 3,50 MT DMO PA E 1.1/2 S-0222
0121110146	GDF 48 X 20 X 4,50 MT DMO PA E 1.1/2 S-0222
0121110145	GDF 48 X 22 X 3,50 MT DMO PA E 1.1/2 S-0222
0121110144	GDF 48 X 22 X 4,50 MT DMO PA E 1.1/2 S-0222
0121110143	GDF 48 X 24 X 4,50 MT DMO PA E 1.1/2 S-0222
0121110128	GDF 52 X 20 X 3,50 MT DMO PA E 1.1/2 S-0222
0121110129	GDF 52 X 20 X 4,50 MT DMO PA E 1.1/2 S-0222
0121110130	GDF 52 X 22 X 3,50 MT DMO PA E 1.1/2 S-0222
0121110131	GDF 52 X 22 X 4,50 MT DMO PA E 1.1/2 S-0222
0121110132	GDF 52 X 24 X 4,50 MT DMO PA E 1.1/2 S-0222
0121110136	GDF 56 X 20 X 3,50 MT DMO PA E 1.1/2 S-0222
0121110137	GDF 56 X 20 X 4,50 MT DMO PA E 1.1/2 S-0222
0121110135	GDF 56 X 22 X 3,50 MT DMO PA E 1.1/2 S-0222
0121110134	GDF 56 X 22 X 4,50 MT DMO PA E 1.1/2 S-0222
0121110133	GDF 56 X 24 X 4,50 MT DMO PA E 1.1/2 S-0222
0121110152	GDF 60 X 20 X 3,50 MT DMO PA E 1.1/2 S-0222
0121110148	GDF 60 X 20 X 4,50 MT DMO PA E 1.1/2 S-0222
0121110149	GDF 60 X 22 X 3,50 MT DMO PA E 1.1/2 S-0222
0121110150	GDF 60 X 22 X 4,50 MT DMO PA E 1.1/2 S-0222
0121110151	GDF 60 X 24 X 4,50 MT DMO PA E 1.1/2 S-0222
0121110138	GDF 64 X 20 X 3,50 MT DMO PA E 1.1/2 S-0222
0121110139	GDF 64 X 20 X 4,50 MT DMO PA E 1.1/2 S-0222
0121110140	GDF 64 X 22 X 3,50 MT DMO PA E 1.1/2 S-0222
0121110141	GDF 64 X 22 X 4,50 MT DMO PA E 1.1/2 S-0222
0121110142	GDF 64 X 24 X 4,50 MT DMO PA E 1.1/2 S-0222
0121110157	GDF 68 X 20 X 3,50 MT DMO PA E 1.1/2 S-0222
0121110156	GDF 68 X 20 X 4,50 MT DMO PA E 1.1/2 S-0222
0121110155	GDF 68 X 22 X 3,50 MT DMO PA E 1.1/2 S-0222
0121110154	GDF 68 X 22 X 4,50 MT DMO PA E 1.1/2 S-0222
0121110153	GDF 68 X 24 X 4,50 MT DMO PA E 1.1/2 S-0222

ATTENTION: IMPORTANT

CIVEMASA reserves the right to improve and/or modify the technical features of its products, without obligation to do the same with those products already sold and without prior knowledge of the dealer or the consumer. The photos are only illustrative.



PRODUCTS

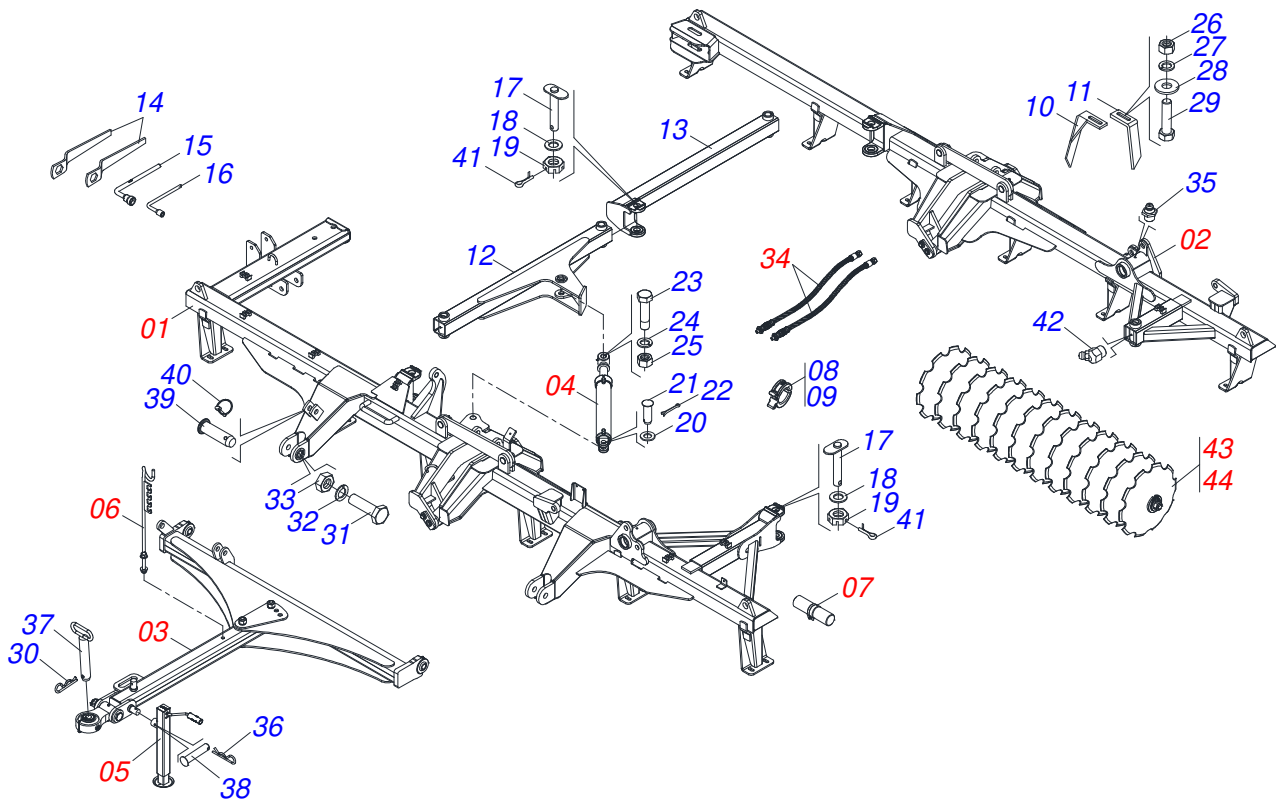
0121110158	GDF 72 X 20 X 3,50 MT DMO PA E 1.1/2 S-0222
0121110159	GDF 72 X 20 X 4,50 MT DMO PA E 1.1/2 S-0222
0121110160	GDF 72 X 22 X 3,50 MT DMO PA E 1.1/2 S-0222
0121110161	GDF 72 X 22 X 4,50 MT DMO PA E 1.1/2 S-0222
0121110162	GDF 72 X 24 X 4,50 MT DMO PA E 1.1/2 S-0222
0121110113	GDF 76 X 20 X 3,50 MT DMO PA E 1.1/2 S-0222
0121110117	GDF 76 X 20 X 4,50 MT DMO PA E 1.1/2 S-0222
0121110116	GDF 76 X 22 X 3,50 MT DMO PA E 1.1/2 S-0222
0121110115	GDF 76 X 22 X 4,50 MT DMO PA E 1.1/2 S-0222
0121110114	GDF 76 X 24 X 4,50 MT DMO PA E 1.1/2 S-0222
0121110122	GDF 80 X 20 X 3,50 MT DMO PA E 1.1/2 S-0222
0121110121	GDF 80 X 20 X 4,50 MT DMO PA E 1.1/2 S-0222
0121110120	GDF 80 X 22 X 3,50 MT DMO PA E 1.1/2 S-0222
0121110119	GDF 80 X 22 X 4,50 MT DMO PA E 1.1/2 S-0222
0121110118	GDF 80 X 24 X 4,50 MT DMO PA E 1.1/2 S-0222
0121110127	GDF 84 X 20 X 3,50 MT DMO PA E 1.1/2 S-0222
0121110126	GDF 84 X 20 X 4,50 MT DMO PA E 1.1/2 S-0222
0121110125	GDF 84 X 22 X 3,50 MT DMO PA E 1.1/2 S-0222
0121110124	GDF 84 X 22 X 4,50 MT DMO PA E 1.1/2 S-0222
0121110123	GDF 84 X 24 X 4,50 MT DMO PA E 1.1/2 S-0222

ATTENTION: IMPORTANT

CIVEMASA reserves the right to improve and/or modify the technical features of its products, without obligation to do the same with those products already sold and without prior knowledge of the dealer or the consumer. The photos are only illustrative.

INDEX

0909096595	FRAME ASSY 48D	1
0531053694	FRONT SEMI-ASSEMBLED FRAME - 48D	2
0531053696	REAR SEMI-ASSEMBLED FRAME - 48D	3
0909096596	FRAME ASSY 52/56/60D	4
0531053698	FRONT SEMI-ASSEMBLED FRAME - 52D	5
0531053702	FRONT SEMI-ASSEMBLED FRAME - 56D	6
0531053710	FRONT SEMI-ASSEMBLED FRAME - 60D	7
0531053700	REAR SEMI-ASSEMBLED FRAME - 52D	8
0531053704	REAR SEMI-ASSEMBLED FRAME - 56D	9
0531053712	REAR SEMI-ASSEMBLED FRAME - 60D	10
0909096597	FRAME ASSY 64/68/72D	11
0531053743	FRONT SEMI-ASSEMBLED FRAME - 64D	12
0531053728	FRONT SEMI-ASSEMBLED FRAME - 68D	13
0531053802	FRONT SEMI-ASSEMBLED FRAME - 72D	14
0531053734	REAR SEMI-ASSEMBLED FRAME - 64D	15
0531053730	REAR SEMI-ASSEMBLED FRAME - 68D	16
0531053726	REAR SEMI-ASSEMBLED FRAME - 72D	17
0909096598	FRAME ASSY 76/80/84D	18
0531053714	FRONT SEMI-ASSEMBLED FRAME - 76D	19
0531053718	FRONT SEMI-ASSEMBLED FRAME - 80D	20
0531053735	FRONT SEMI-ASSEMBLED FRAME - 84D	21
0531053716	REAR SEMI-ASSEMBLED FRAME - 76D	22
0531053720	REAR SEMI-ASSEMBLED FRAME - 80D	23
0531053736	REAR SEMI-ASSEMBLED FRAME - 84D	24
0521048204	DRAWBAR ASSY 36 A 48D	25
0521044870	DRAWBAR ASSY	26
0501044359	ASSY TRACTION BAR	27
0521053943	HITCH WITH ASSY ROTULA SUPPORT	28
0521048502	ASSY TRACTION BAR	29
0521057520	HITCH ASSY	30
0511058461	HYDRAULIC CYLINDER	31
0503062157	DRAWBAR JACK	32
0501040257	3/4 X 1200 HOSE HOLDER A	33
0531058156	INSTRUCTION MANUAL CANISTER	34
0521053412	HOSE KIT	35
0501053834	MALE QUICK COUPLER	36
0909096569	FRONT GANG DISC - 48/52/56/60/64D	37
0909096570	FRONT GANG DISC - 68/72/76/80/84D	38
0909096571	REAR GANG DISC - 48/52/56/60/64D	39
0909096572	REAR GANG DISC - 68/72/76/80/84D	40
0521047187	BEARING	41
0521050840	SWIVEL OIL BATH BEARING 192,5 X 1.1/2	42

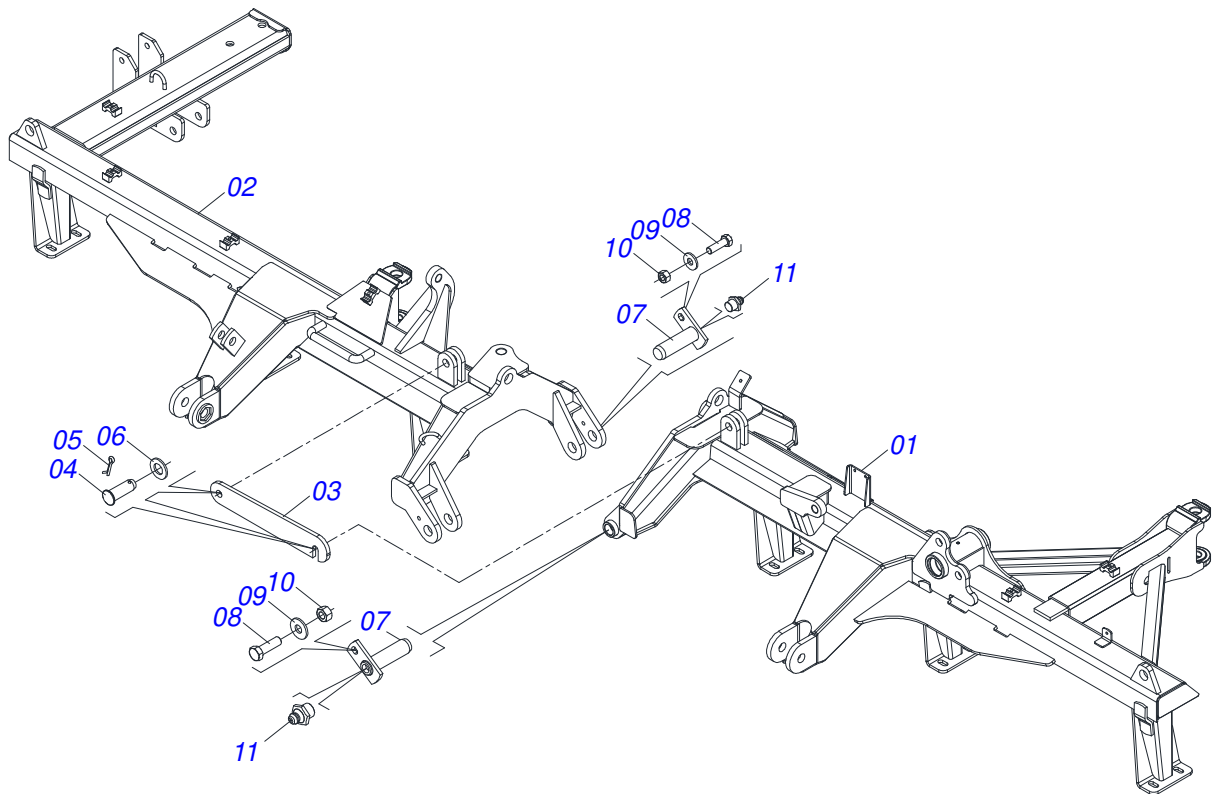


Item	Code	Description	See page	QT
01	0531053694	FRONT SEMI-ASSEMBLED FRAME - 48D	2	01
02	0531053696	REAR SEMI-ASSEMBLED FRAME - 48D	3	01
03	0521048204	DRAWBAR ASSY 36 A 48D	25	01
04	0511058461	HYDRAULIC CYLINDER	31	01
05	0503062157	DRAWBAR JACK	32	01
06	0501040257	3/4 X 1200 HOSE HOLDER A	33	01
07	0531058156	INSTRUCTION MANUAL CANISTER	34	01
08	0501047895	ROD STOP		06
09	0501047885	ROD STOP		04
10	0501063963	FRONT SCRAPER		17
11	0501063962	REAR SCRAPER		17
12	0521068803	FRONT STABILIZER BAR		01
13	0521068804	REAR STABILIZER BAR		01
14	0501011432	1-1/2" AND 1-5/8 GANG BOLT WRENCH		02
15	0501061617	1" GANG BOLT WRENCH		01
16	0501068273	5/8" WRENCH		01
17	0531019497	1.5" X 9.2" ARTICULATED AXIS		04
18	0531019540	FLAT WASHER		04
19	0501011301	1.1/2 UNC 6FPP 2.5/16 NUT		06
20	0501017779	32 X 60 X 4.75 FLAT WASHER		01
21	0521010779	31.75 X 95 COUPLING SHAFT		01
22	0503010523	1/4" X 2" COTTERPIN		01
23	0501011106	1-1/4" X 7" SCREW		01
24	0503010070	SPRING WASHER		01
25	0501010087	1.1/4" NUT		01
26	0503010060	1/2 UNC G.5 ZN HEX NUT		60
27	0503010019	1/2" SPRING WASHER		60
28	0511017302	FLAT WASHER 13,50 X 32,50 X 3,0 ZN		68
29	0503011082	C1/2" X 1.3/4" SCREW		68
30	0503031035	HITCH PIN CLIP		01
31	0501010426	1-1/4" X 6" SCREW		02

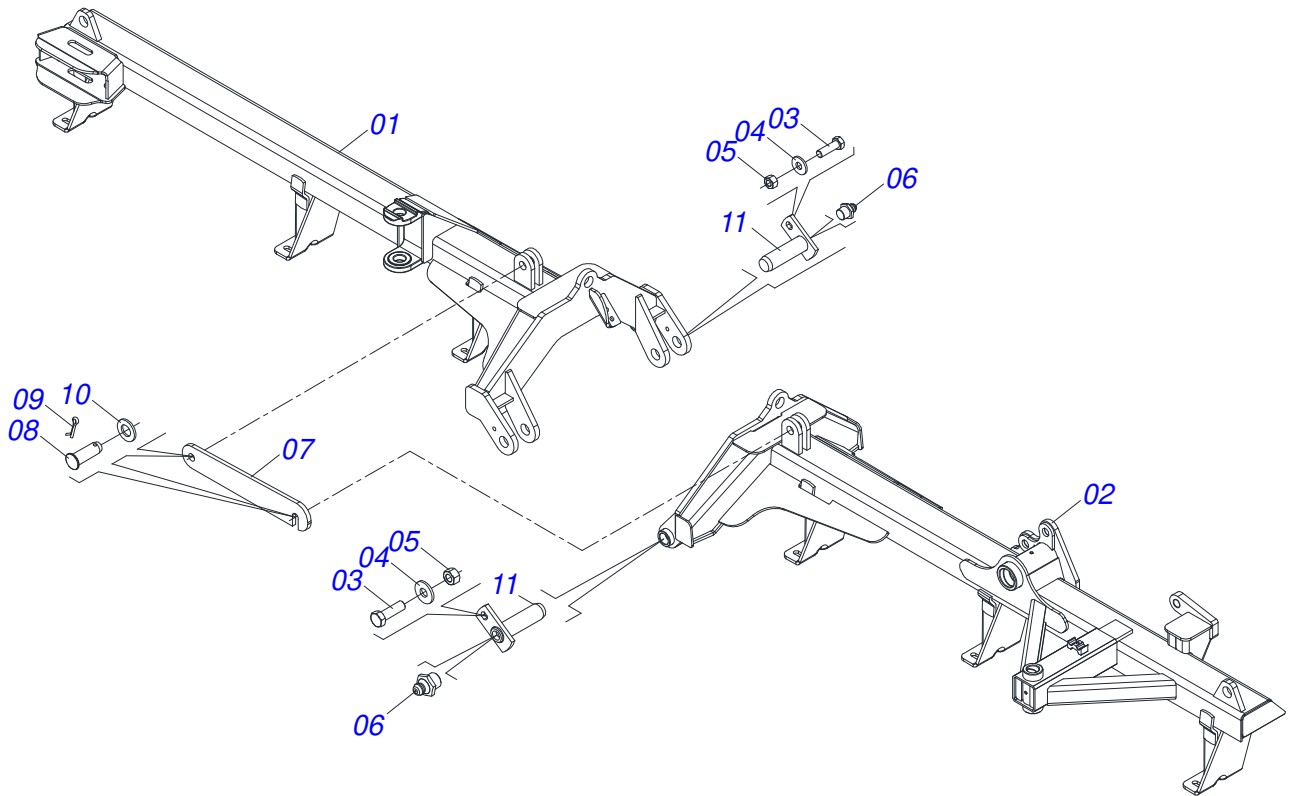
FRAME ASSY 48D

0909096595

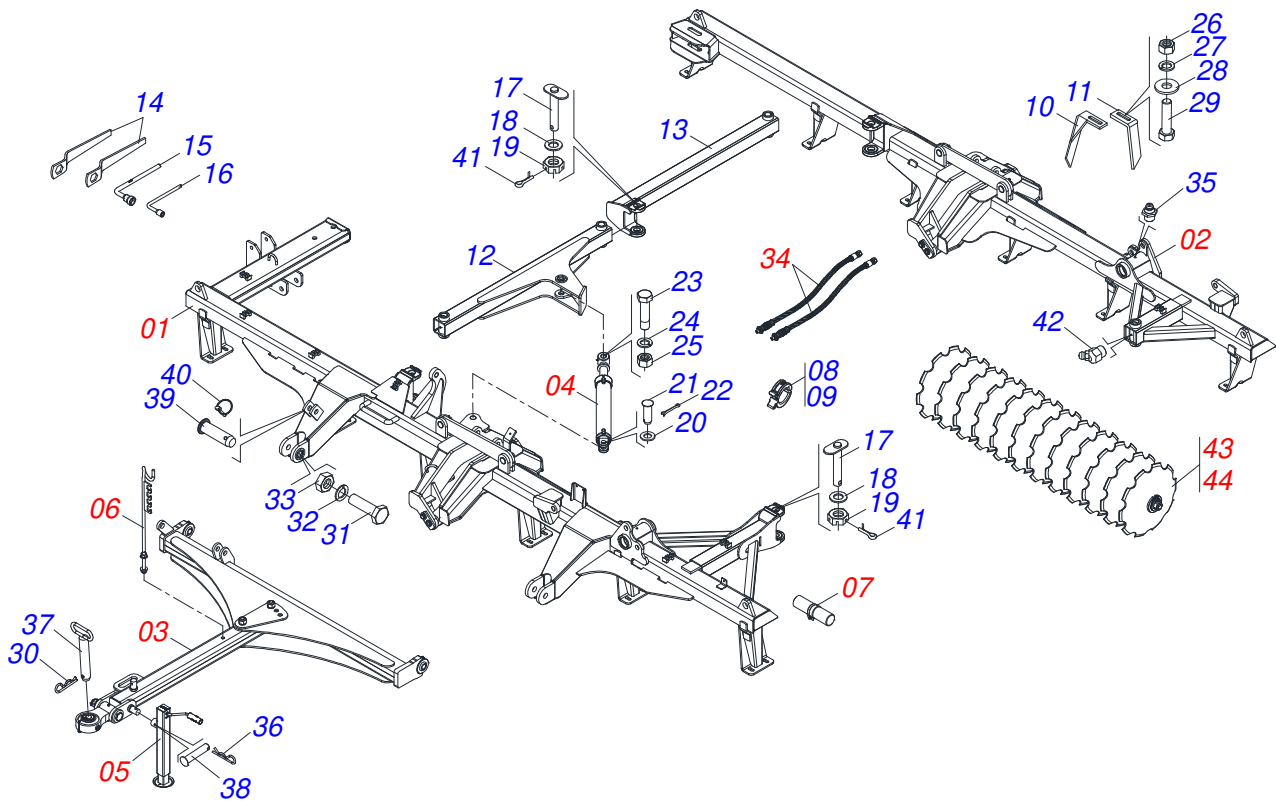
Item	Code	Description	See page	QT
32	0503010070	SPRING WASHER		02
33	0501010087	1.1/4" NUT		02
34	0521053412	HOSE KIT	35	01
34.	0501053834	MALE QUICK COUPLER	36	02
35	0503010002	1800 GREASE FITTING		05
36	0503030168	HITCH PIN CLIP		01
37	0501069080	COUPLING SHAFT		01
38	0521010549	COUPLING SHAFT		01
39	0501019002	JUNCTION SHAFT		01
40	0503030085	LOCK PIN		01
41	0503010010	1/4" X 2.1/2" COTTERPIN		04
42	0503010003	1845 GREASE FITTING		02
43	0909096569	FRONT GANG DISC - 48/52/56/60/64D	37	01
44	0909096571	REAR GANG DISC - 48/52/56/60/64D	39	01



Item	Code	Description	See page	QT
01	0531063279	LEFT FRONT FRAME		01
02	0531063277	RIGHT FRONT FRAME		01
03	0501018941	TRANSPORT LOCK		01
04	0521010592	1.1" X 3.1" COUPLING SHAFT		02
05	0503010571	1/4" X 1.1/2 COTTERPIN		02
06	0511017480	FLAT WASHER		02
07	0501063751	1.5" X 5.5" PIVOT SHAFT		02
08	0501010100	SCREW 5/8 UNC X 2 CS G.5 ZN		02
09	0501012140	FLAT WASHER		02
10	0503010013	5/8" NUT		02
11	0503010002	1800 GREASE FITTING		02



Item	Code	Description	See page	QT
01	0531063281	RIGHT REAR FRAME		01
02	0531063283	LEFT REAR FRAME		01
03	0501010100	SCREW 5/8 UNC X 2 CS G.5 ZN		02
04	0501012140	FLAT WASHER		02
05	0503010013	5/8" NUT		02
06	0503010002	1800 GREASE FITTING		02
07	0501018941	TRANSPORT LOCK		01
08	0521010592	1.1" X 3.1" COUPLING SHAFT		02
09	0503010571	1/4" X 1.1/2 COTTERPIN		02
10	0511017480	FLAT WASHER		02
11	0501063751	1.5" X 5.5" PIVOT SHAFT		02

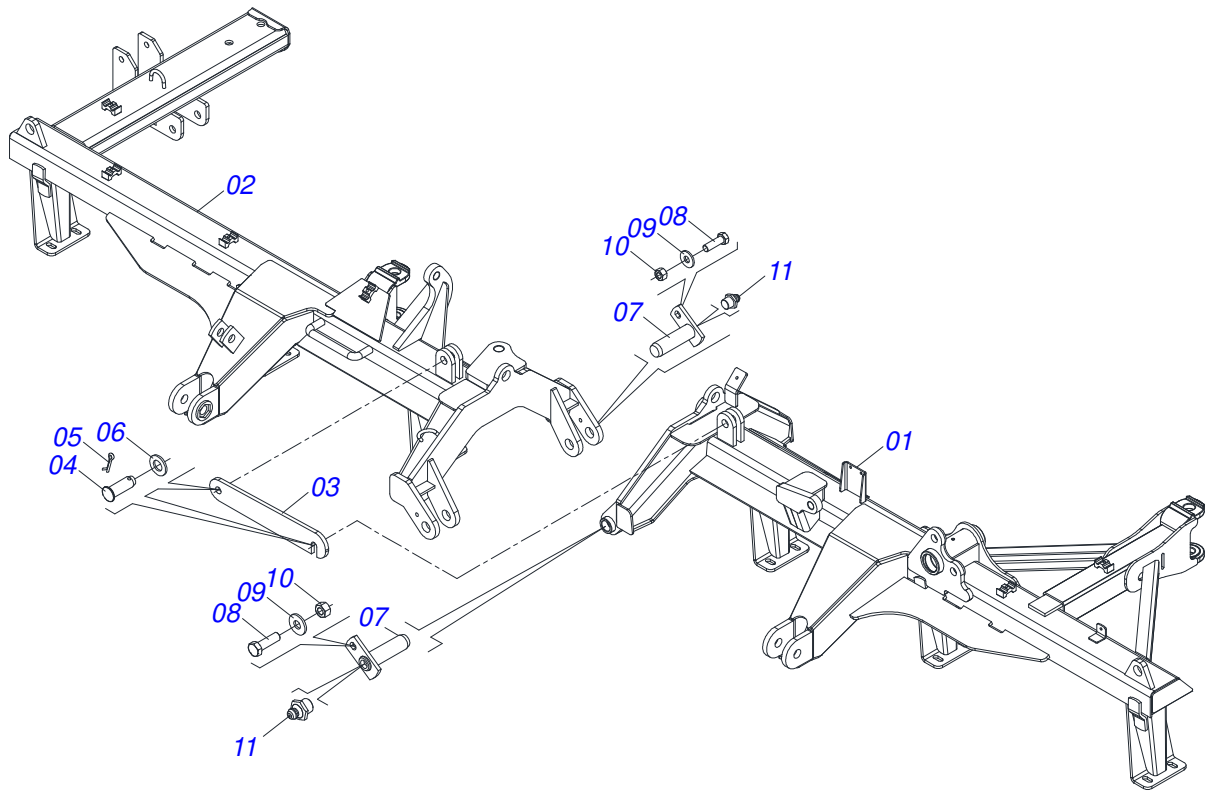


Item	Code	Description	See page	52	56	60
01	0531053698	FRONT SEMI-ASSEMBLED FRAME - 52D	5	01	00	00
01.	0531053702	FRONT SEMI-ASSEMBLED FRAME - 56D	6	00	01	00
01..	0531053710	FRONT SEMI-ASSEMBLED FRAME - 60D	7	00	00	01
02	0531053700	REAR SEMI-ASSEMBLED FRAME - 52D	8	01	00	00
02.	0531053704	REAR SEMI-ASSEMBLED FRAME - 56D	9	00	01	00
02..	0531053712	REAR SEMI-ASSEMBLED FRAME - 60D	10	00	00	01
03	0521044870	DRAWBAR ASSY	26	01	01	01
04	0511058461	HYDRAULIC CYLINDER	31	01	01	01
05	0503062157	DRAWBAR JACK	32	01	01	01
06	0501040257	3/4 X 1200 HOSE HOLDER A	33	01	01	01
07	0531058156	INSTRUCTION MANUAL CANISTER	34	01	01	01
08	0501047895	ROD STOP		06	06	06
09	0501047885	ROD STOP		04	04	04
10	0501063963	FRONT SCRAPER		19	21	23
11	0501063962	REAR SCRAPER		19	21	23
12	0521068803	FRONT STABILIZER BAR		01	01	01
13	0521068804	REAR STABILIZER BAR		01	01	01
14	0501011432	1-1/2" AND 1-5/8 GANG BOLT WRENCH		02	02	02
15	0501061617	1" GANG BOLT WRENCH		01	01	01
16	0501068273	5/8" WRENCH		01	01	01
17	0531019497	1.5" X 9.2" ARTICULATED AXIS		04	04	04
18	0531019540	FLAT WASHER		04	04	04
19	0501011301	1.1/2 UNC 6FPP 2.5/16 NUT		06	06	06
20	0501017779	32 X 60 X 4.75 FLAT WASHER		01	01	01
21	0521010779	31.75 X 95 COUPLING SHAFT		01	01	01
22	0503010523	1/4" X 2" COTTERPIN		01	01	01
23	0501011106	1-1/4" X 7" SCREW		01	01	01
24	0503010070	SPRING WASHER		01	01	01
25	0501010087	1.1/4" NUT		01	01	01
26	0503010060	1/2 UNC G.5 ZN HEX NUT		68	66	84
27	0503010019	1/2" SPRING WASHER		68	66	84

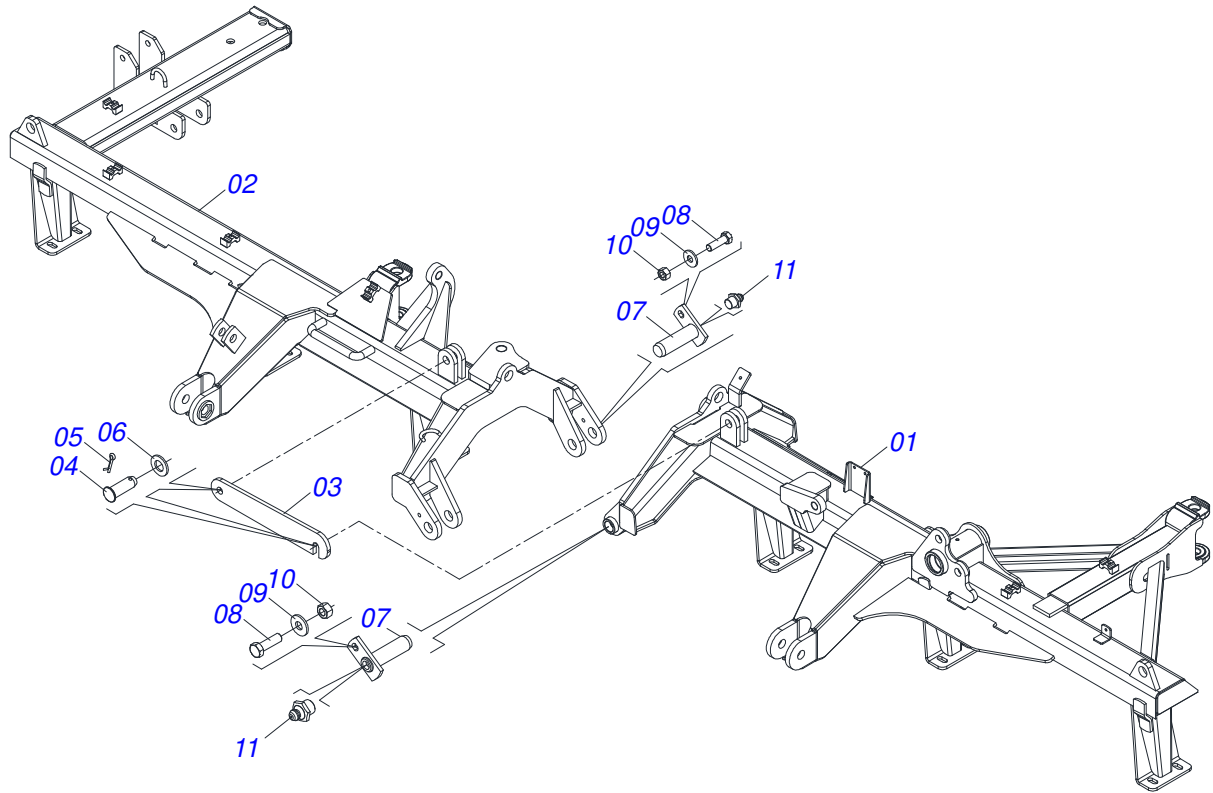
FRAME ASSY 52/56/60D

0909096596

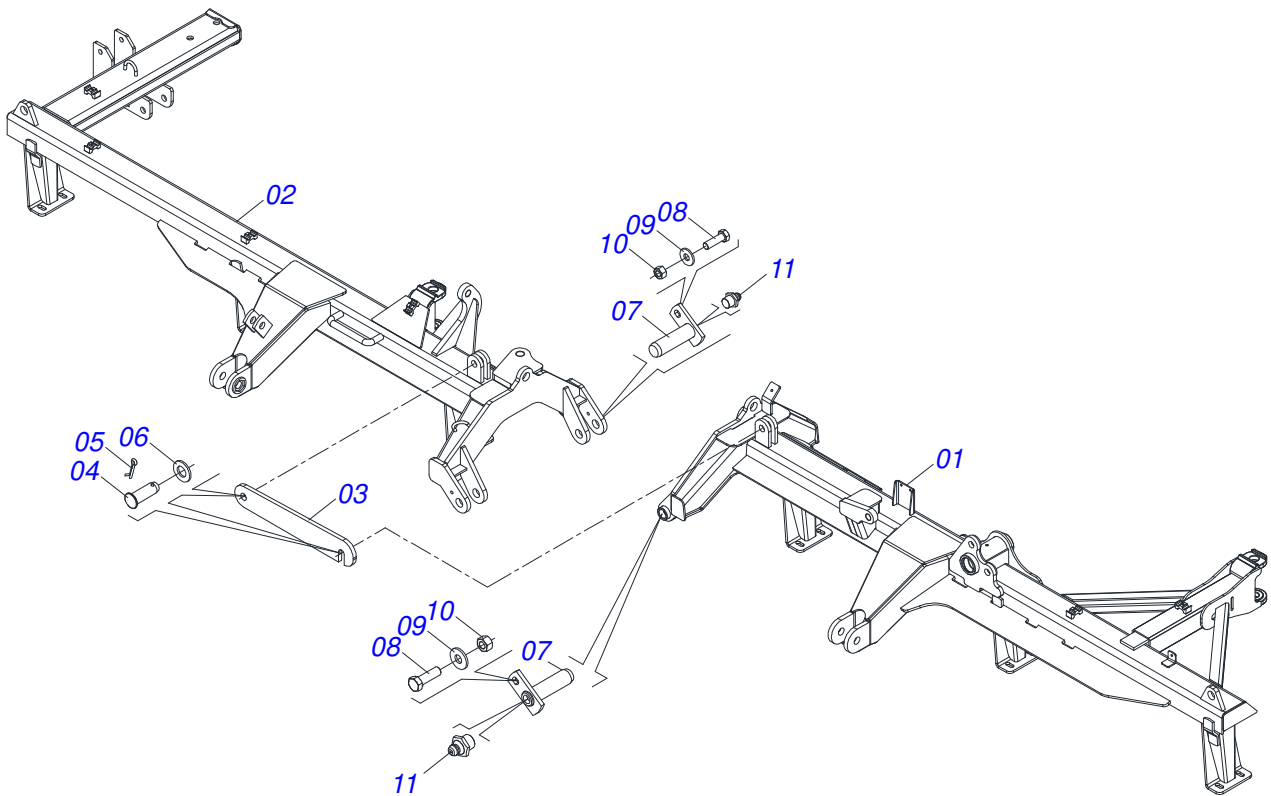
Item	Code	Description	See page	52 56 60
28	0511017302	FLAT WASHER 13,50 X 32,50 X 3,0 ZN		76 74 92
29	0503011082	C1/2" X 1.3/4" SCREW		76 74 92
30	0503031035	HITCH PIN CLIP		01 01 01
31	0501010426	1-1/4" X 6" SCREW		02 02 02
32	0503010070	SPRING WASHER		02 02 02
33	0501010087	1.1/4" NUT		02 02 02
34	0521053412	HOSE KIT	35	01 01 01
34.	0501053834	MALE QUICK COUPLER	36	02 02 02
35	0503010002	1800 GREASE FITTING		05 05 05
36	0503030168	HITCH PIN CLIP		01 01 01
37	0501069080	COUPLING SHAFT		01 01 01
38	0521010549	COUPLING SHAFT		01 01 01
39	0501019002	JUNCTION SHAFT		01 01 01
40	0503030085	LOCK PIN		01 01 01
41	0503010010	1/4" X 2.1/2" COTTERPIN		04 04 04
42	0503010003	1845 GREASE FITTING		02 02 02
43	0909096569	FRONT GANG DISC - 48/52/56/60/64D	37	01 01 01
44	0909096571	REAR GANG DISC - 48/52/56/60/64D	39	01 01 01



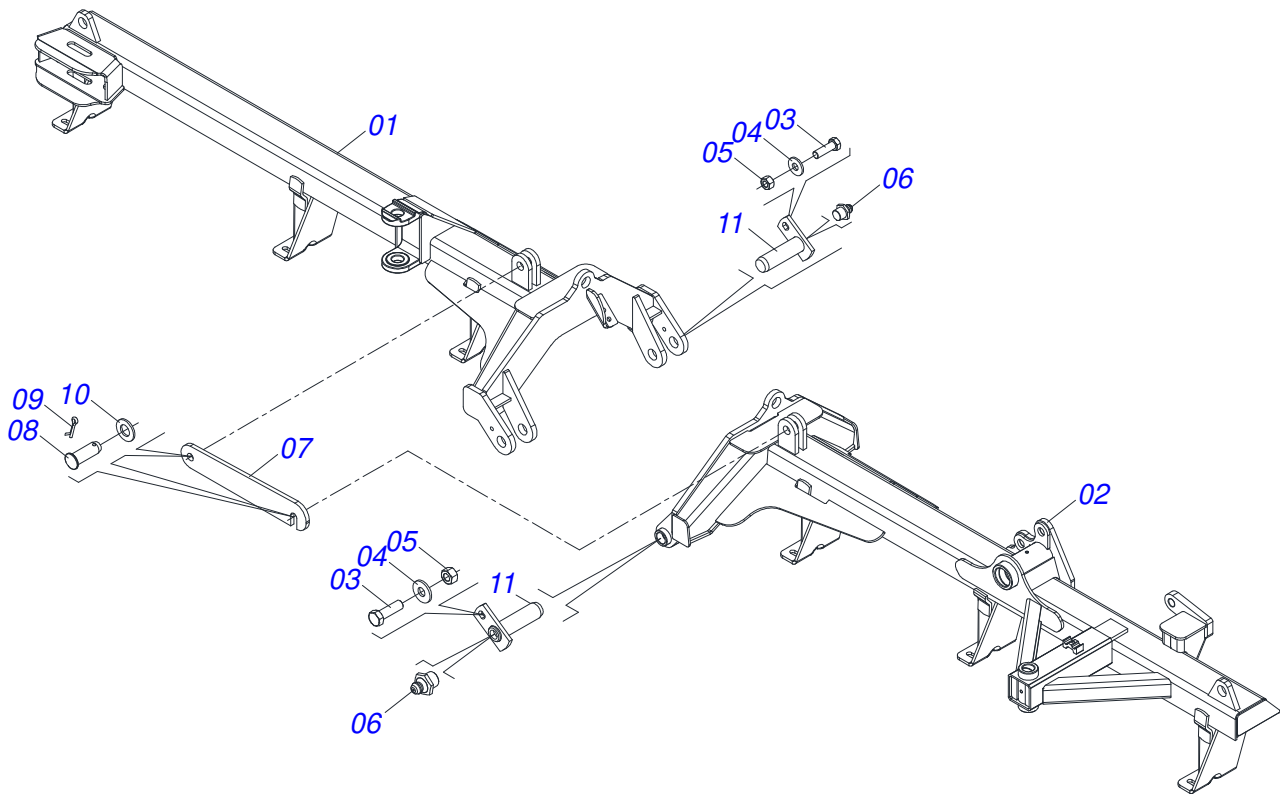
Item	Code	Description	See page	QT
01	0531063287	LEFT FRONT FRAME		01
02	0531063285	RIGHT FRONT FRAME		01
03	0501018941	TRANSPORT LOCK		01
04	0521010592	1.1" X 3.1" COUPLING SHAFT		02
05	0503010571	1/4" X 1.1/2 COTTERPIN		02
06	0511017480	FLAT WASHER		02
07	0501063751	1.5" X 5.5" PIVOT SHAFT		02
08	0501010100	SCREW 5/8 UNC X 2 CS G.5 ZN		02
09	0501012140	FLAT WASHER		02
10	0503010013	5/8" NUT		02
11	0503010002	1800 GREASE FITTING		02



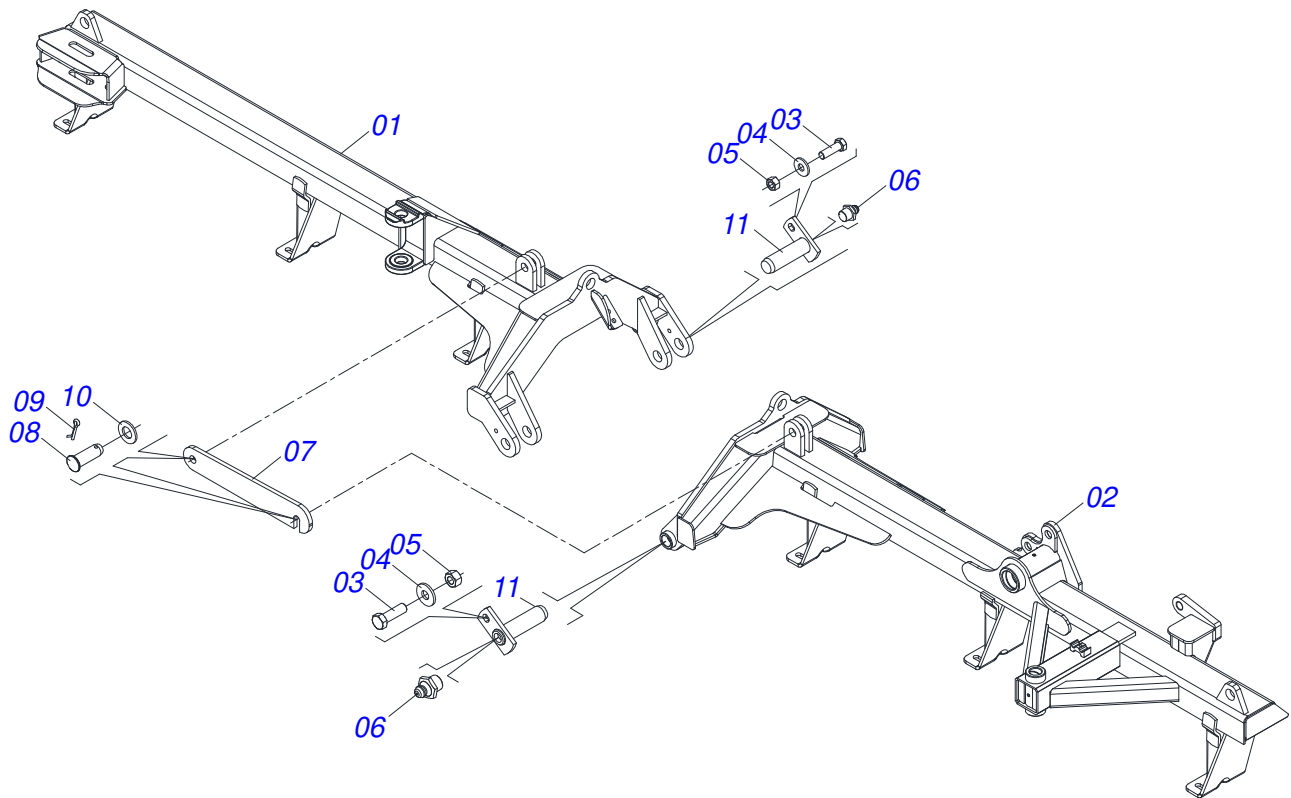
Item	Code	Description	See page	QT
01	0531063295	LEFT FRONT FRAME		01
02	0531063293	RIGHT FRONT FRAME		01
03	0501018941	TRANSPORT LOCK		01
04	0521010592	1.1" X 3.1" COUPLING SHAFT		02
05	0503010571	1/4" X 1.1/2 COTTERPIN		02
06	0511017480	FLAT WASHER		02
07	0501063751	1.5" X 5.5" PIVOT SHAFT		02
08	0501010100	SCREW 5/8 UNC X 2 CS G.5 ZN		02
09	0501012140	FLAT WASHER		02
10	0503010013	5/8" NUT		02
11	0503010002	1800 GREASE FITTING		02



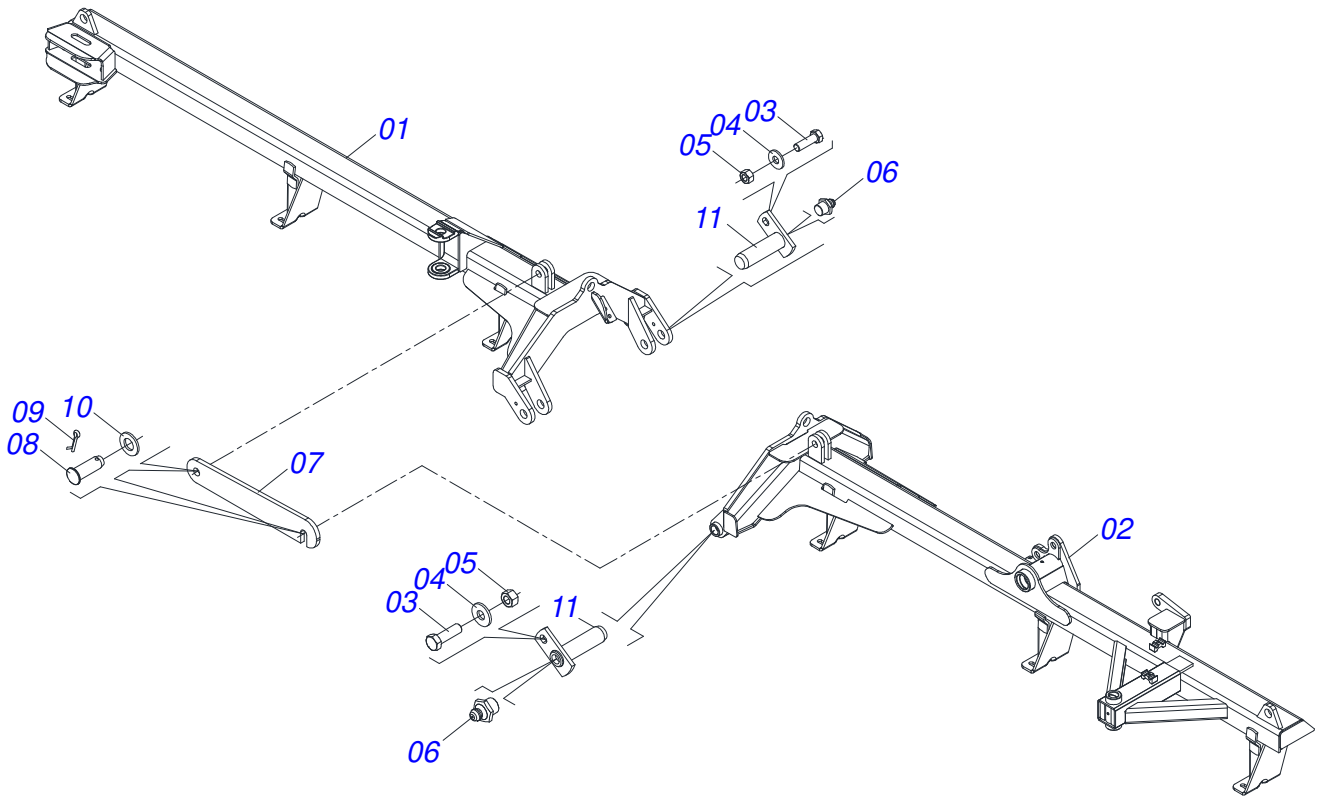
Item	Code	Description	See page	QT
01	0531063303	LEFT FRONT FRAME		01
02	0531063301	RIGHT FRONT FRAME		01
03	0501018941	TRANSPORT LOCK		01
04	0521010592	1.1" X 3.1" COUPLING SHAFT		02
05	0503010571	1/4" X 1.1/2 COTTERPIN		02
06	0511017480	FLAT WASHER		02
07	0501063751	1.5" X 5.5" PIVOT SHAFT		02
08	0501010100	SCREW 5/8 UNC X 2 CS G.5 ZN		02
09	0501012140	FLAT WASHER		02
10	0503010013	5/8" NUT		02
11	0503010002	1800 GREASE FITTING		02



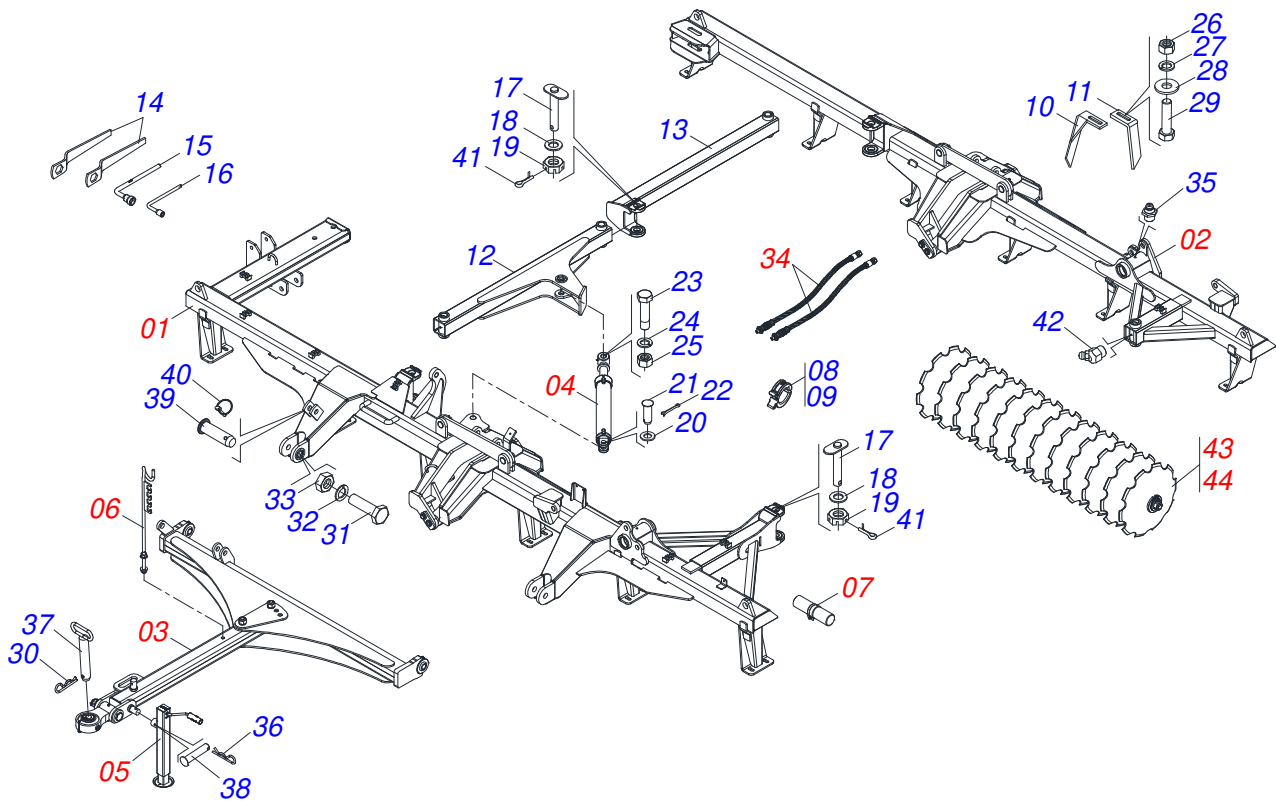
Item	Code	Description	See page	QT
01	0531063289	RIGHT REAR FRAME		01
02	0531063291	LEFT REAR FRAME		01
03	0501010100	SCREW 5/8 UNC X 2 CS G.5 ZN		02
04	0501012140	FLAT WASHER		02
05	0503010013	5/8" NUT		02
06	0503010002	1800 GREASE FITTING		02
07	0501018941	TRANSPORT LOCK		01
08	0521010592	1.1" X 3.1" COUPLING SHAFT		02
09	0503010571	1/4" X 1.1/2 COTTERPIN		02
10	0511017480	FLAT WASHER		02
11	0501063751	1.5" X 5.5" PIVOT SHAFT		02



Item	Code	Description	See page	QT
01	0531063299	RIGHT REAR FRAME		01
02	0531063297	LEFT REAR FRAME		01
03	0501010100	SCREW 5/8 UNC X 2 CS G.5 ZN		02
04	0501012140	FLAT WASHER		02
05	0503010013	5/8" NUT		02
06	0503010002	1800 GREASE FITTING		02
07	0501018941	TRANSPORT LOCK		01
08	0521010592	1.1" X 3.1" COUPLING SHAFT		02
09	0503010571	1/4" X 1.1/2 COTTERPIN		02
10	0511017480	FLAT WASHER		02
11	0501063751	1.5" X 5.5" PIVOT SHAFT		02



Item	Code	Description	See page	QT
01	0531063305	RIGHT REAR FRAME		01
02	0531063307	LEFT REAR FRAME		01
03	0501010100	SCREW 5/8 UNC X 2 CS G.5 ZN		02
04	0501012140	FLAT WASHER		02
05	0503010013	5/8" NUT		02
06	0503010002	1800 GREASE FITTING		02
07	0501018941	TRANSPORT LOCK		01
08	0521010592	1.1" X 3.1" COUPLING SHAFT		02
09	0503010571	1/4" X 1.1/2 COTTERPIN		02
10	0511017480	FLAT WASHER		02
11	0501063751	1.5" X 5.5" PIVOT SHAFT		02

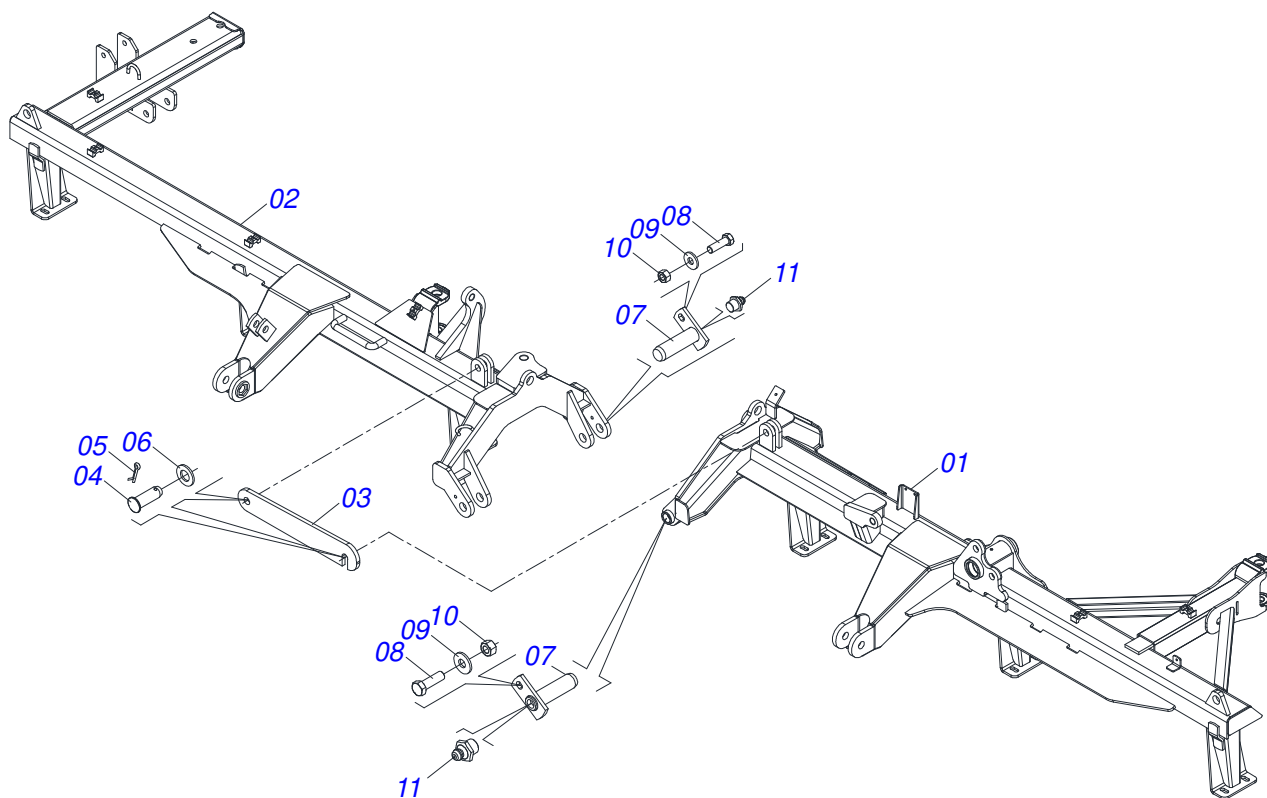


Item	Code	Description	See page	064 068 072
01	0531053743	FRONT SEMI-ASSEMBLED FRAME - 64D	12	001 000 000
01.	0531053728	FRONT SEMI-ASSEMBLED FRAME - 68D	13	000 001 000
01..	0531053802	FRONT SEMI-ASSEMBLED FRAME - 72D	14	000 000 001
02	0531053734	REAR SEMI-ASSEMBLED FRAME - 64D	15	001 000 000
02.	0531053730	REAR SEMI-ASSEMBLED FRAME - 68D	16	000 001 000
02..	0531053726	REAR SEMI-ASSEMBLED FRAME - 72D	17	000 000 001
03	0521044870	DRAWBAR ASSY	26	001 001 001
04	0511058461	HYDRAULIC CYLINDER	31	001 001 001
05	0503062157	DRAWBAR JACK	32	001 001 001
06	0501040257	3/4 X 1200 HOSE HOLDER A	33	001 001 001
07	0531058156	INSTRUCTION MANUAL CANISTER	34	001 001 001
08	0501047895	ROD STOP		006 006 006
09	0501047885	ROD STOP		004 004 004
10	0501063963	FRONT SCRAPER		025 026 029
11	0501063962	REAR SCRAPER		025 026 029
12	0521065407	FRONT STABILIZER BAR		001 001 001
13	0521065406	REAR STABILIZER BAR		001 001 001
14	0501011432	1-1/2" AND 1-5/8 GANG BOLT WRENCH		002 002 002
15	0501061617	1" GANG BOLT WRENCH		001 001 001
16	0501068273	5/8" WRENCH		001 001 001
17	0531019497	1.5" X 9.2" ARTICULATED AXIS		004 004 004
18	0531019540	FLAT WASHER		004 004 004
19	0501011301	1.1/2 UNC 6FPP 2.5/16 NUT		006 006 006
20	0501017779	32 X 60 X 4.75 FLAT WASHER		001 001 001
21	0521010779	31.75 X 95 COUPLING SHAFT		001 001 001
22	0503010523	1/4" X 2" COTTERPIN		001 001 001
23	0501011106	1-1/4" X 7" SCREW		001 001 001
24	0503010070	SPRING WASHER		001 001 001
25	0501010087	1.1/4" NUT		001 001 001
26	0503010060	1/2 UNC G.5 ZN HEX NUT		092 096 108
27	0503010019	1/2" SPRING WASHER		092 096 116

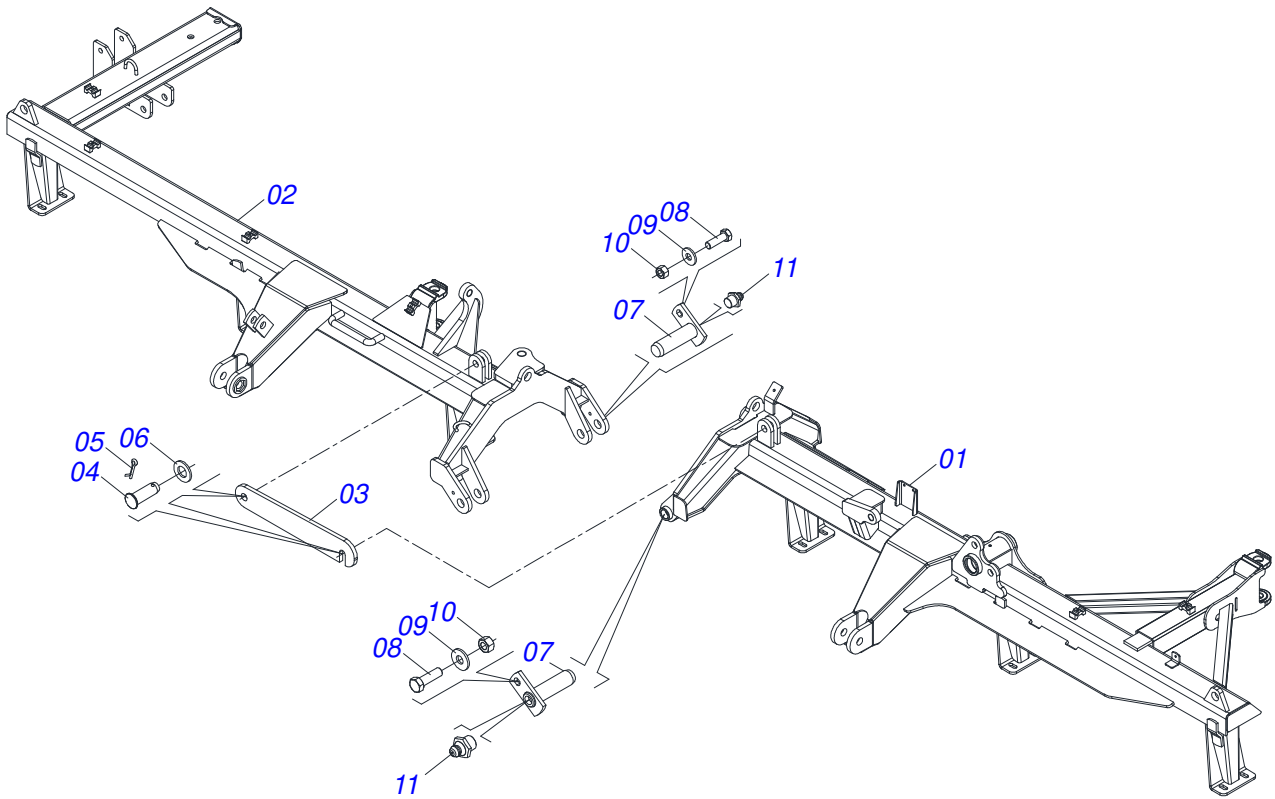
FRAME ASSY 64/68/72D

0909096597

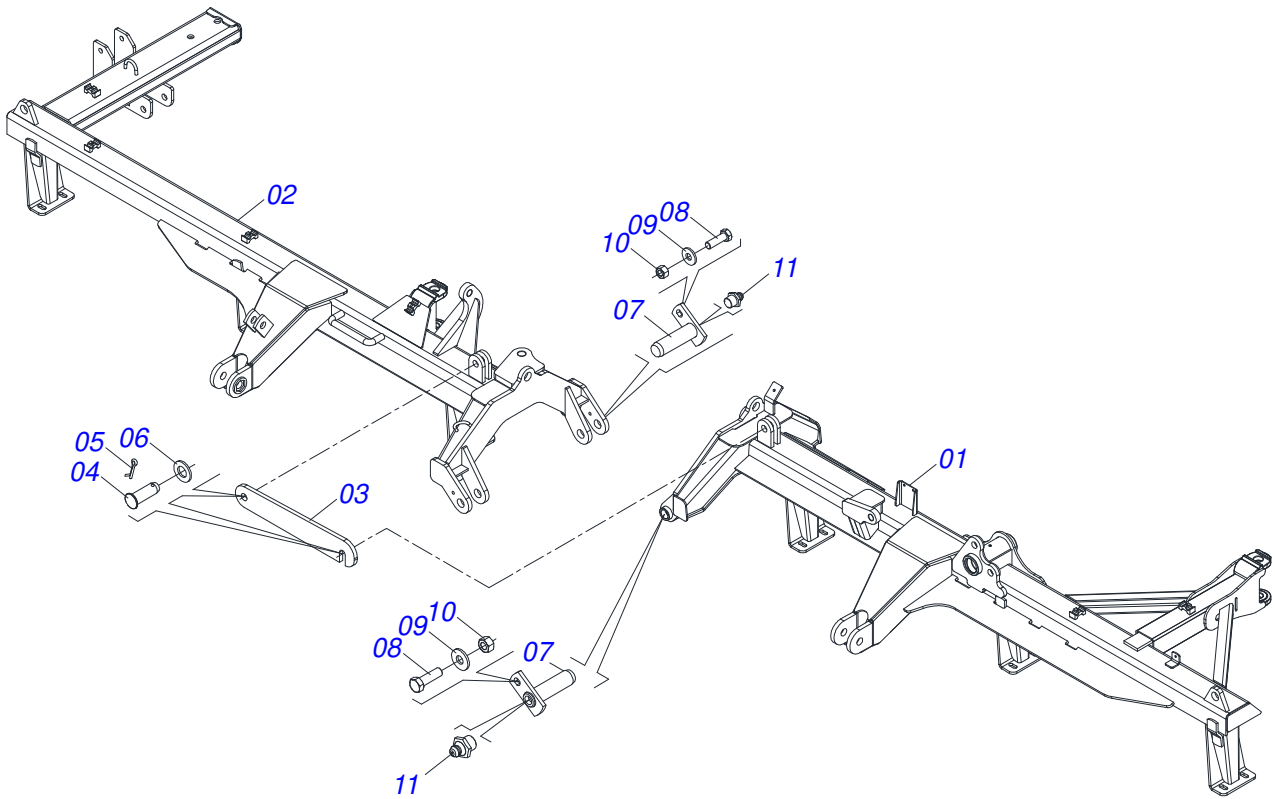
Item	Code	Description	See page	064 068 072
28	0511017302	FLAT WASHER 13,50 X 32,50 X 3,0 ZN		100 104 116
29	0503011082	C1/2" X 1.3/4" SCREW		100 104 108
30	0503031035	HITCH PIN CLIP		001 001 001
31	0501010426	1-1/4" X 6" SCREW		002 002 002
32	0503010070	SPRING WASHER		002 002 002
33	0501010087	1.1/4" NUT		002 002 002
34	0521053412	HOSE KIT	35	001 001 001
34.	0501053834	MALE QUICK COUPLER	36	002 002 002
35	0503010002	1800 GREASE FITTING		005 005 005
36	0503030168	HITCH PIN CLIP		001 001 001
37	0501069080	COUPLING SHAFT		001 001 001
38	0521010549	COUPLING SHAFT		001 001 001
39	0501019002	JUNCTION SHAFT		001 001 001
40	0503030085	LOCK PIN		001 001 001
41	0503010010	1/4" X 2.1/2" COTTERPIN		004 004 004
42	0503010003	1845 GREASE FITTING		002 002 002
43	0909096569	FRONT GANG DISC - 48/52/56/60/64D	37	001 000 000
43.	0909096570	FRONT GANG DISC - 68/72/76/80/84D	38	000 001 001
44	0909096571	REAR GANG DISC - 48/52/56/60/64D	39	001 000 000
44.	0909096572	REAR GANG DISC - 68/72/76/80/84D	40	000 001 001



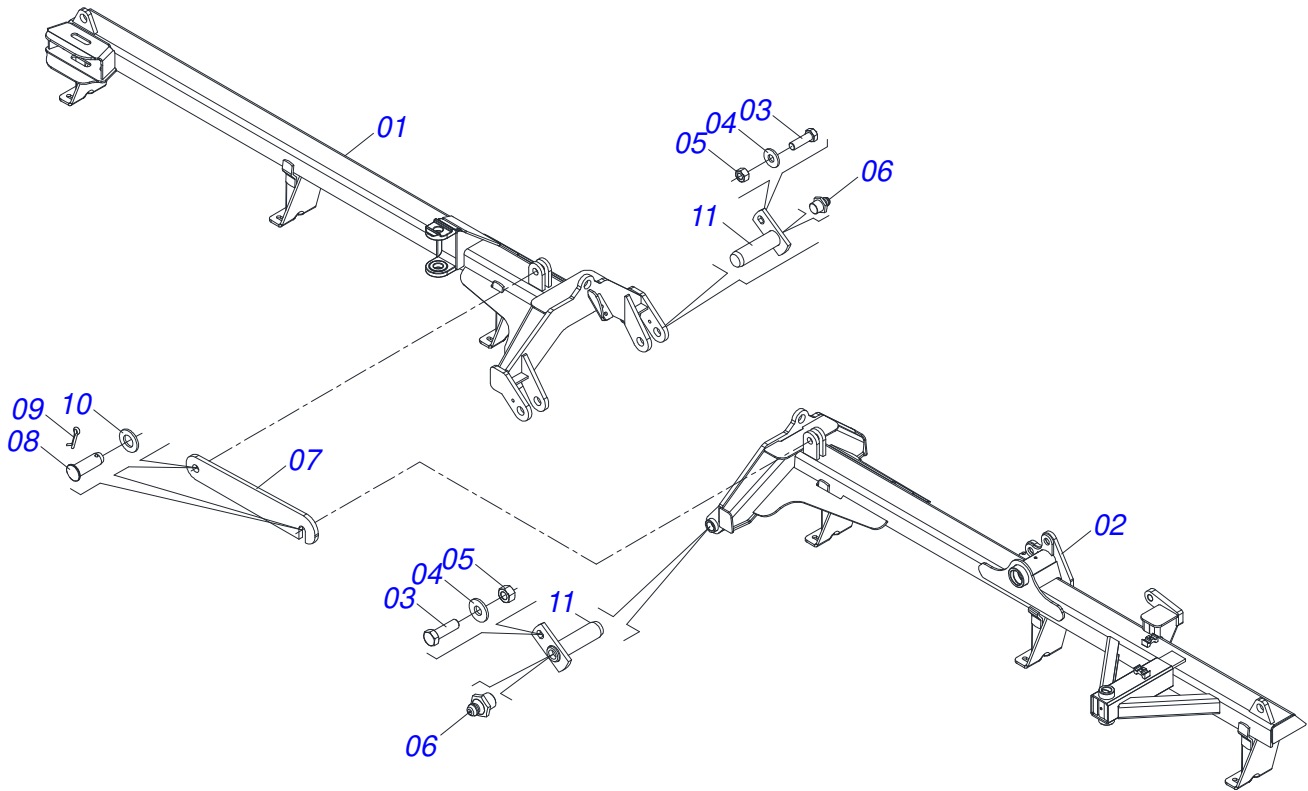
Item	Code	Description	See page	QT
01	0531063359	LEFT FRONT FRAME		01
02	0531060742	RIGHT FRONT FRAME		01
03	0501018941	TRANSPORT LOCK		01
04	0521010592	1.1" X 3.1" COUPLING SHAFT		02
05	0503010571	1/4" X 1.1/2 COTTERPIN		02
06	0511017480	FLAT WASHER		02
07	0501063751	1.5" X 5.5" PIVOT SHAFT		02
08	0501010100	SCREW 5/8 UNC X 2 CS G.5 ZN		02
09	0501012140	FLAT WASHER		02
10	0503010013	5/8" NUT		02
11	0503010002	1800 GREASE FITTING		02



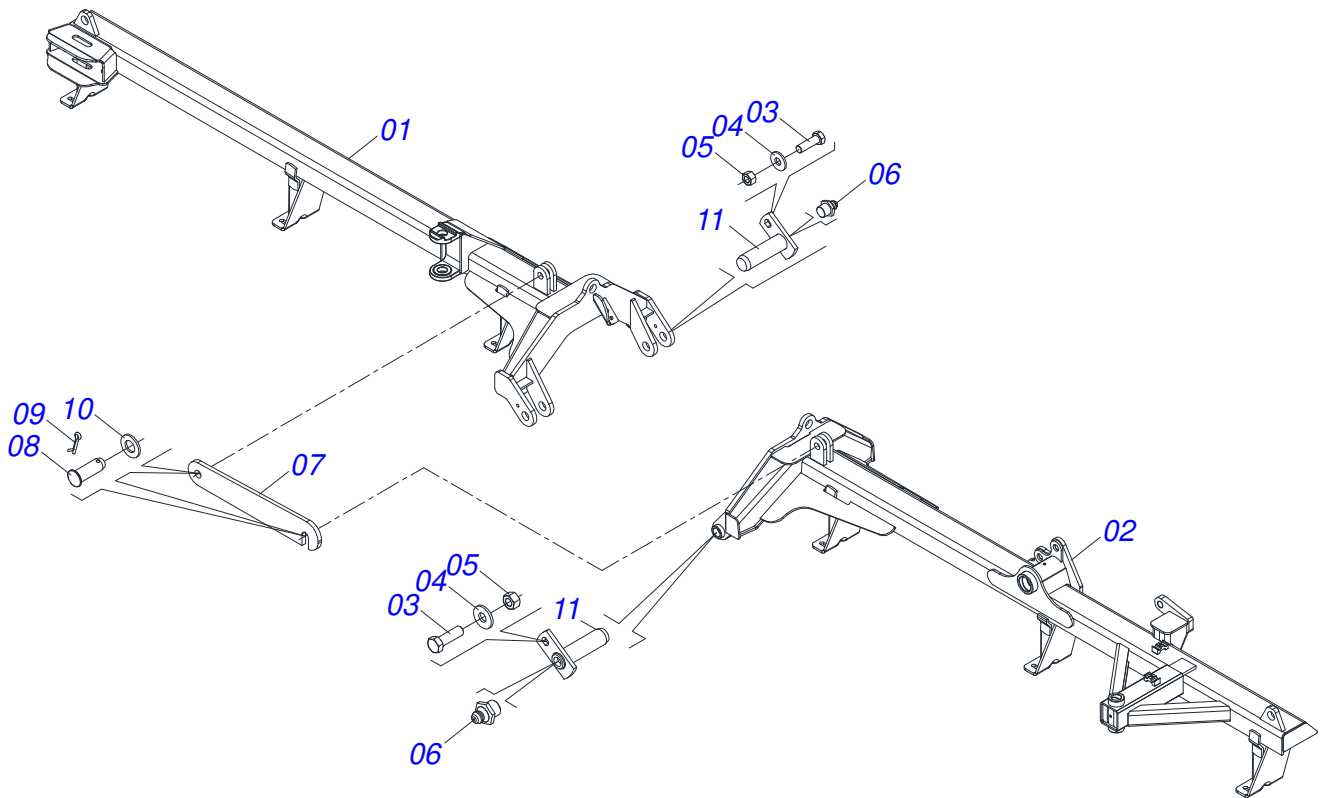
Item	Code	Description	See page	QT
01	0531063345	LEFT FRONT FRAME		01
02	0531063343	RIGHT FRONT FRAME		01
03	0501018941	TRANSPORT LOCK		01
04	0521010592	1.1" X 3.1" COUPLING SHAFT		02
05	0503010571	1/4" X 1.1/2 COTTERPIN		02
06	0511017480	FLAT WASHER		02
07	0501063751	1.5" X 5.5" PIVOT SHAFT		02
08	0501010100	SCREW 5/8 UNC X 2 CS G.5 ZN		02
09	0501012140	FLAT WASHER		02
10	0503010013	5/8" NUT		02
11	0503010002	1800 GREASE FITTING		02



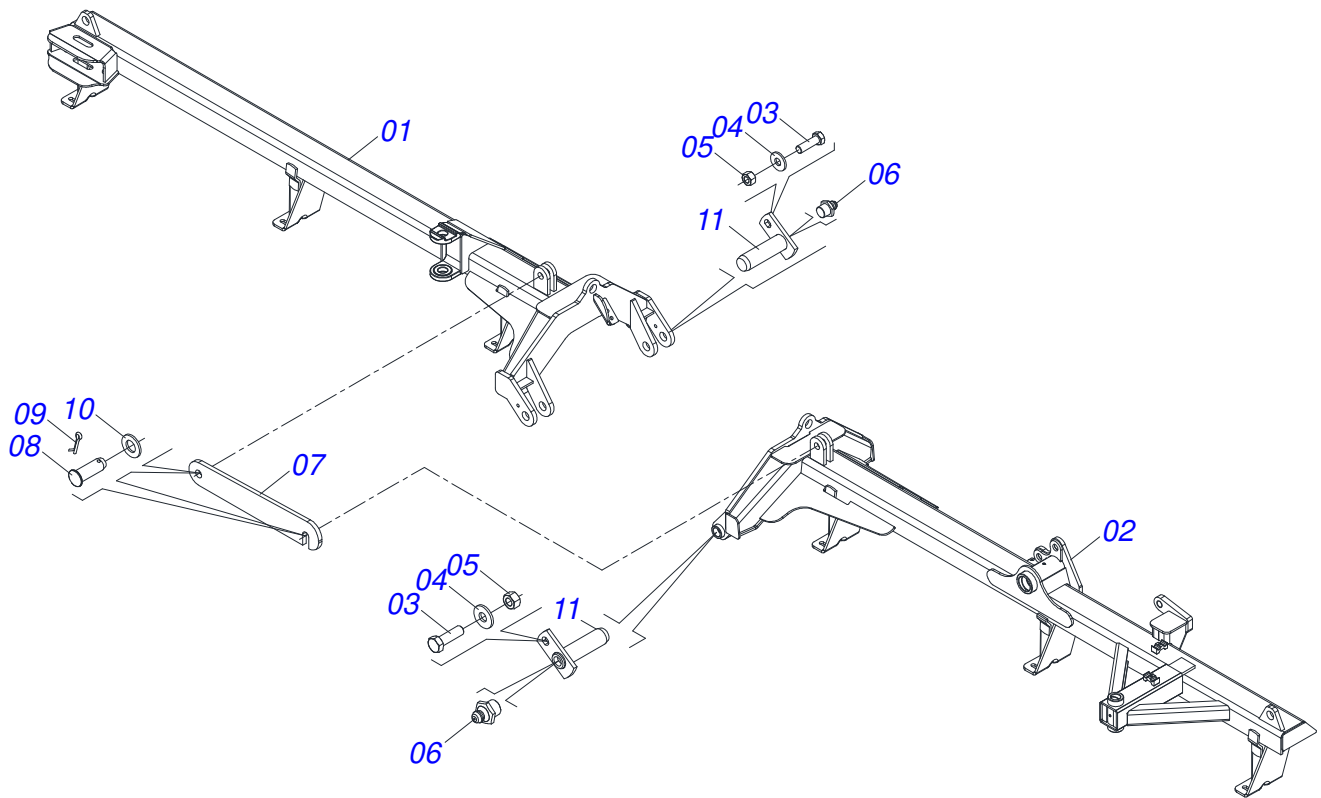
Item	Code	Description	See page	QT
01	0531063402	LEFT FRONT FRAME		01
02	0531063401	RIGHT FRONT FRAME		01
03	0501018941	TRANSPORT LOCK		01
04	0521010592	1.1" X 3.1" COUPLING SHAFT		02
05	0503010571	1/4" X 1.1/2 COTTERPIN		02
06	0511017480	FLAT WASHER		02
07	0501063751	1.5" X 5.5" PIVOT SHAFT		02
08	0501010100	SCREW 5/8 UNC X 2 CS G.5 ZN		02
09	0501012140	FLAT WASHER		02
10	0503010013	5/8" NUT		02
11	0503010002	1800 GREASE FITTING		02



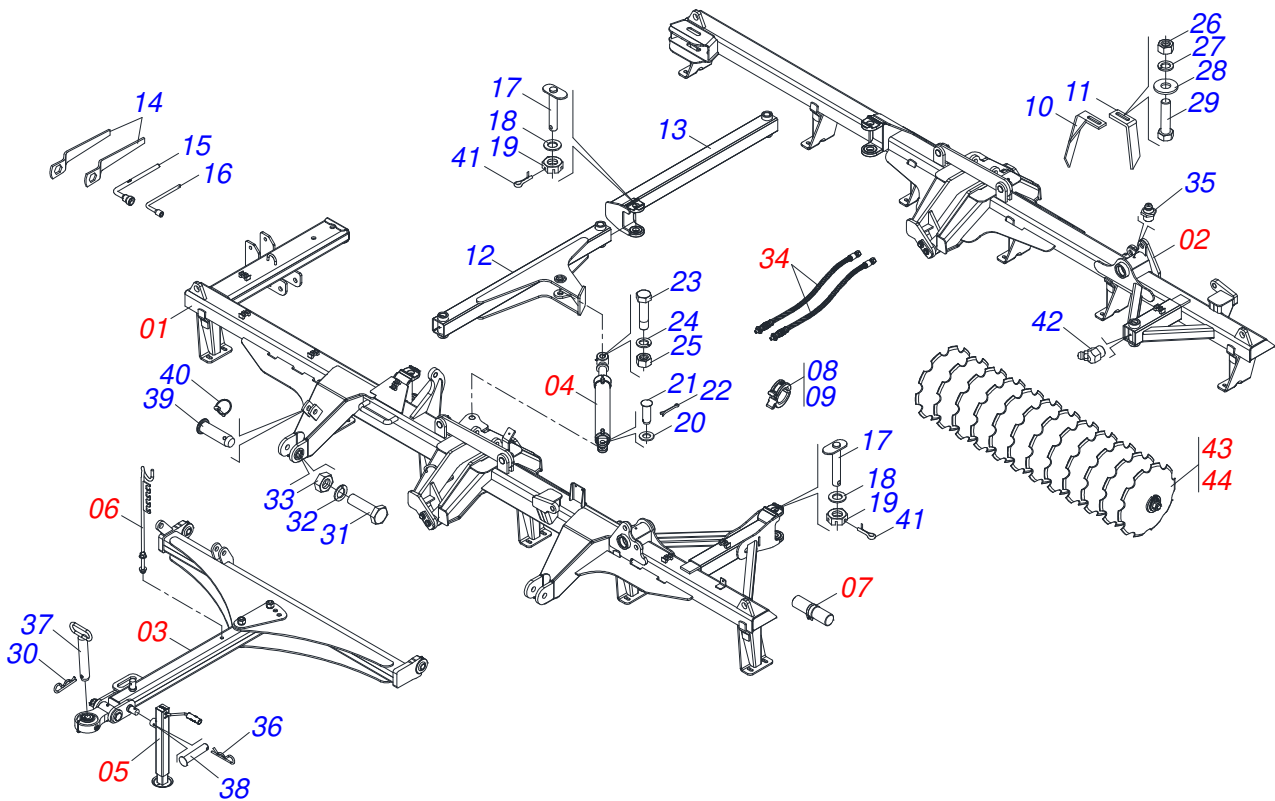
Item	Code	Description	See page	QT
01	0531063355	RIGHT REAR FRAME		01
02	0531063357	LEFT REAR FRAME		01
03	0501010100	SCREW 5/8 UNC X 2 CS G.5 ZN		02
04	0501012140	FLAT WASHER		02
05	0503010013	5/8" NUT		02
06	0503010002	1800 GREASE FITTING		02
07	0501018941	TRANSPORT LOCK		01
08	0521010592	1.1" X 3.1" COUPLING SHAFT		02
09	0503010571	1/4" X 1.1/2 COTTERPIN		02
10	0511017480	FLAT WASHER		02
11	0501063751	1.5" X 5.5" PIVOT SHAFT		02



Item	Code	Description	See page	QT
01	0531063349	RIGHT REAR FRAME		01
02	0531063347	LEFT REAR FRAME		01
03	0501010100	SCREW 5/8 UNC X 2 CS G.5 ZN		02
04	0501012140	FLAT WASHER		02
05	0503010013	5/8" NUT		02
06	0503010002	1800 GREASE FITTING		02
07	0501018941	TRANSPORT LOCK		01
08	0521010592	1.1" X 3.1" COUPLING SHAFT		02
09	0503010571	1/4" X 1.1/2 COTTERPIN		02
10	0511017480	FLAT WASHER		02
11	0501063751	1.5" X 5.5" PIVOT SHAFT		02



Item	Code	Description	See page	QT
01	0531063339	RIGHT REAR FRAME		01
02	0531063341	LEFT REAR FRAME		01
03	0501010100	SCREW 5/8 UNC X 2 CS G.5 ZN		02
04	0501012140	FLAT WASHER		02
05	0503010013	5/8" NUT		02
06	0503010002	1800 GREASE FITTING		02
07	0501018941	TRANSPORT LOCK		01
08	0521010592	1.1" X 3.1" COUPLING SHAFT		02
09	0503010571	1/4" X 1.1/2 COTTERPIN		02
10	0511017480	FLAT WASHER		02
11	0501063751	1.5" X 5.5" PIVOT SHAFT		02

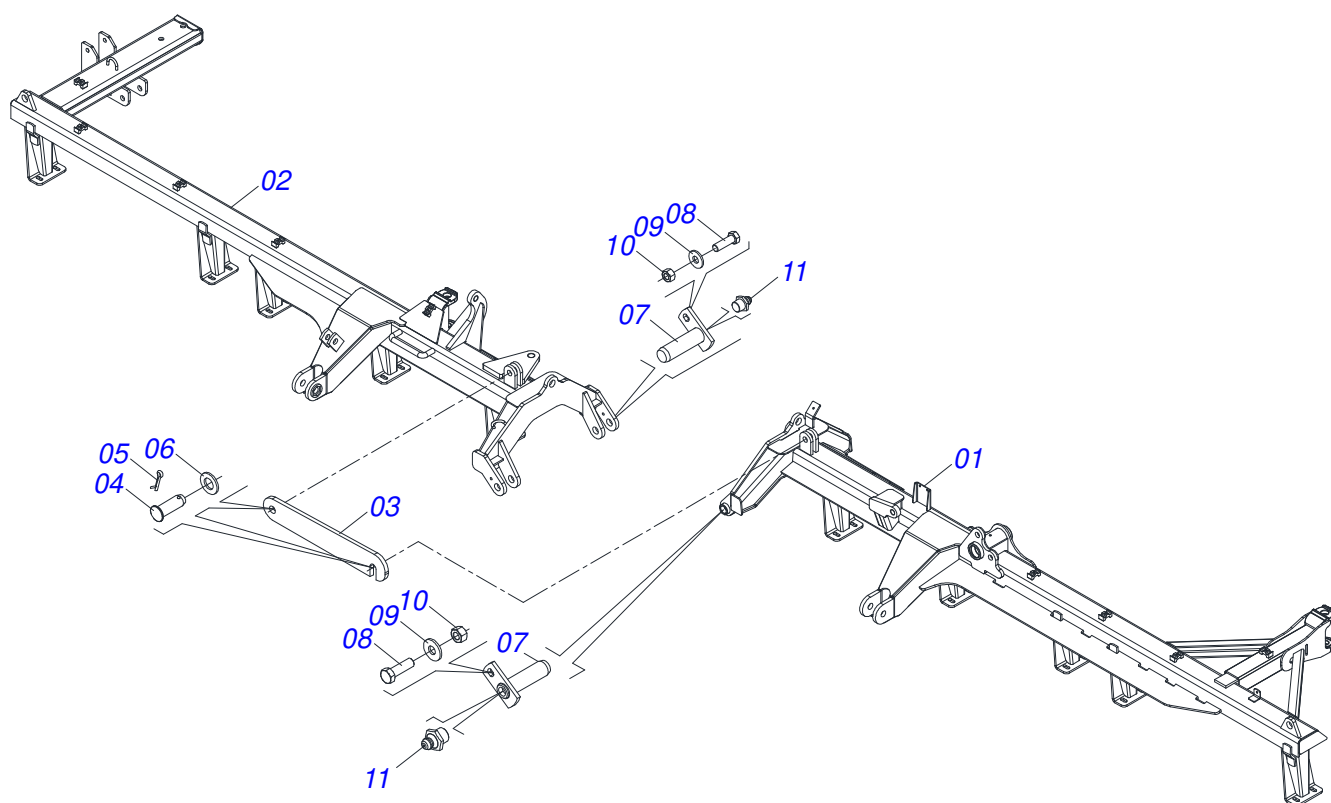


Item	Code	Description	See page	076 080 084
01	0531053714	FRONT SEMI-ASSEMBLED FRAME - 76D	19	001 000 000
01.	0531053718	FRONT SEMI-ASSEMBLED FRAME - 80D	20	000 001 000
01..	0531053735	FRONT SEMI-ASSEMBLED FRAME - 84D	21	000 000 001
02	0531053716	REAR SEMI-ASSEMBLED FRAME - 76D	22	001 000 000
02.	0531053720	REAR SEMI-ASSEMBLED FRAME - 80D	23	000 001 000
02..	0531053736	REAR SEMI-ASSEMBLED FRAME - 84D	24	000 000 001
03	0521044870	DRAWBAR ASSY	26	001 001 001
04	0511058461	HYDRAULIC CYLINDER	31	001 001 001
05	0503062157	DRAWBAR JACK	32	001 001 001
06	0501040257	3/4 X 1200 HOSE HOLDER A	33	001 001 001
07	0531058156	INSTRUCTION MANUAL CANISTER	34	001 001 001
08	0501047895	ROD STOP		006 006 006
09	0501047885	ROD STOP		004 004 004
10	0501063963	FRONT SCRAPER		027 029 030
11	0501063962	REAR SCRAPER		027 029 030
12	0521069184	FRONT STABILIZER BAR		001 001 001
13	0521069193	REAR STABILIZER BAR		001 001 001
14	0501011432	1-1/2" AND 1-5/8 GANG BOLT WRENCH		002 002 002
15	0501061617	1" GANG BOLT WRENCH		001 001 001
16	0501068273	5/8" WRENCH		001 001 001
17	0531019497	1.5" X 9.2" ARTICULATED AXIS		004 004 004
18	0531019540	FLAT WASHER		004 004 004
19	0501011301	1.1/2 UNC 6FPP 2.5/16 NUT		006 006 006
20	0501017779	32 X 60 X 4.75 FLAT WASHER		001 001 001
21	0521010779	31.75 X 95 COUPLING SHAFT		001 001 001
22	0503010523	1/4" X 2" COTTERPIN		001 001 001
23	0501011106	1-1/4" X 7" SCREW		001 001 001
24	0503010070	SPRING WASHER		001 001 001
25	0501010087	1.1/4" NUT		001 001 001
26	0503010060	1/2 UNC G.5 ZN HEX NUT		100 106 120
27	0503010019	1/2" SPRING WASHER		100 106 120

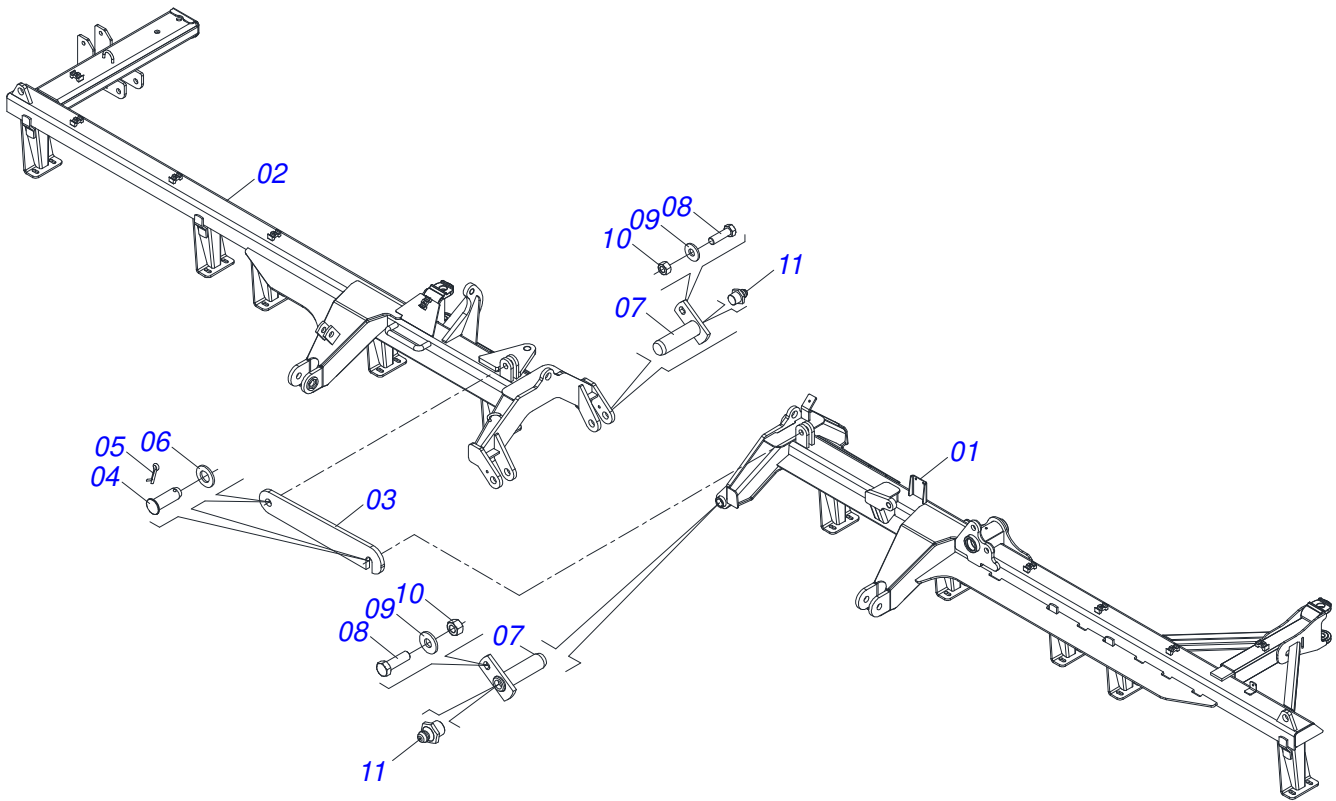
FRAME ASSY 76/80/84D

0909096598

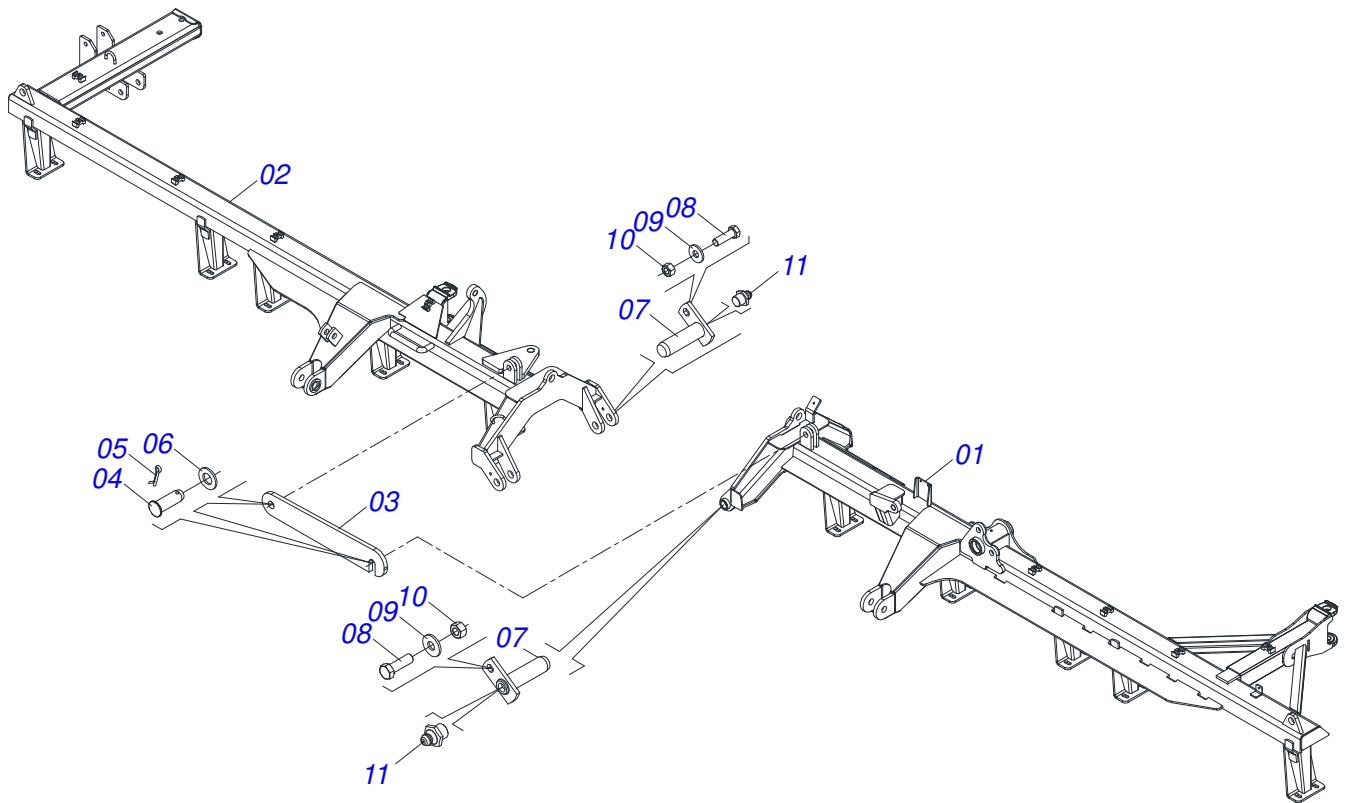
Item	Code	Description	See page	076 080 084
28	0511017302	FLAT WASHER 13,50 X 32,50 X 3,0 ZN		108 114 128
29	0503011082	C1/2" X 1.3/4" SCREW		108 114 128
30	0503031035	HITCH PIN CLIP		001 001 001
31	0501010426	1-1/4" X 6" SCREW		002 002 002
32	0503010070	SPRING WASHER		002 002 002
33	0501010087	1.1/4" NUT		002 002 002
34	0521053412	HOSE KIT	35	001 001 001
34.	0501053834	MALE QUICK COUPLER	36	002 002 002
35	0503010002	1800 GREASE FITTING		005 005 005
36	0503030168	HITCH PIN CLIP		001 001 001
37	0501069080	COUPLING SHAFT		001 001 001
38	0521010549	COUPLING SHAFT		001 001 001
39	0501019002	JUNCTION SHAFT		001 001 001
40	0503030085	LOCK PIN		001 001 001
41	0503010010	1/4" X 2.1/2" COTTERPIN		004 004 004
42	0503010003	1845 GREASE FITTING		002 002 002
43	0909096570	FRONT GANG DISC - 68/72/76/80/84D	38	001 001 001
44	0909096572	REAR GANG DISC - 68/72/76/80/84D	40	001 001 001



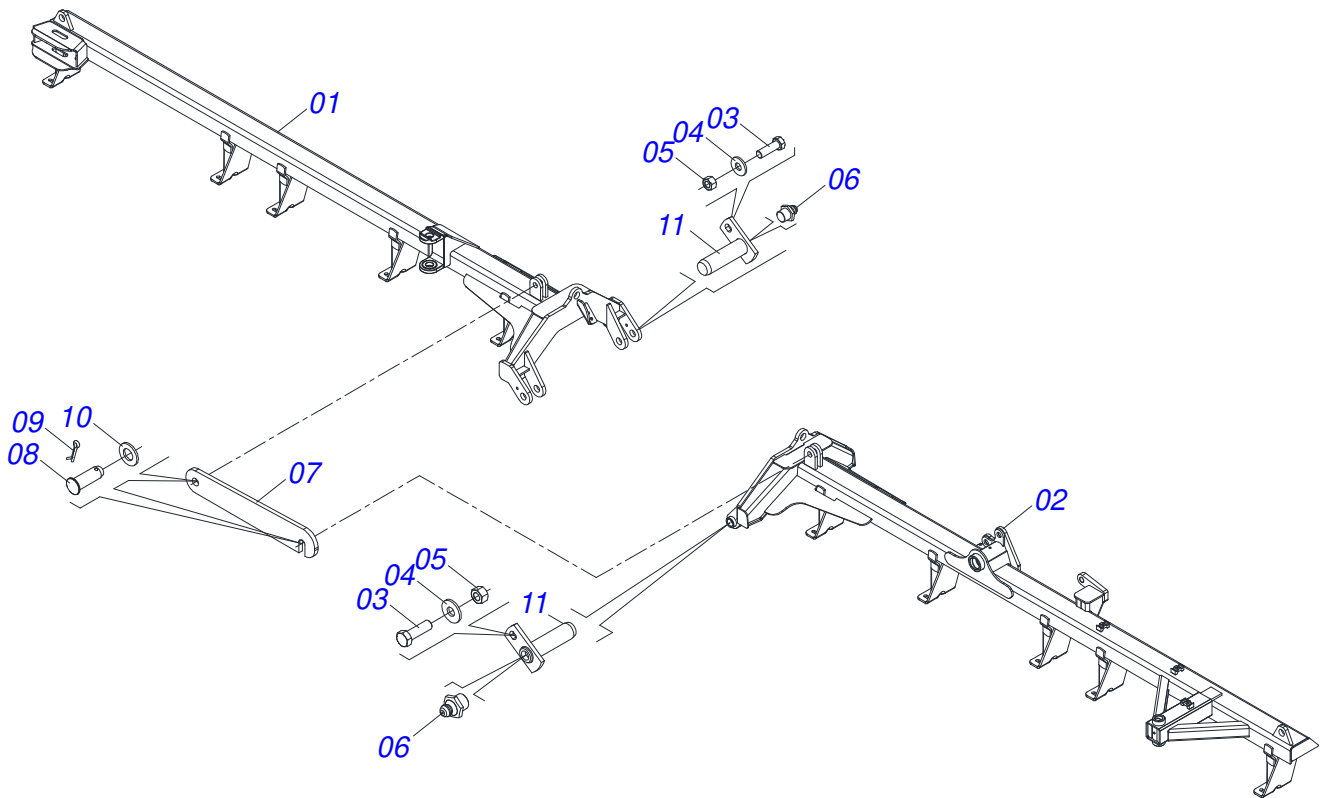
Item	Code	Description	See page	QT
01	0531063311	LEFT FRONT FRAME		01
02	0531063309	RIGHT FRONT FRAME		01
03	0501018941	TRANSPORT LOCK		01
04	0521010592	1.1" X 3.1" COUPLING SHAFT		02
05	0503010571	1/4" X 1.1/2 COTTERPIN		02
06	0511017480	FLAT WASHER		02
07	0501063751	1.5" X 5.5" PIVOT SHAFT		02
08	0501010100	SCREW 5/8 UNC X 2 CS G.5 ZN		02
09	0501012140	FLAT WASHER		02
10	0503010013	5/8" NUT		02
11	0503010002	1800 GREASE FITTING		02



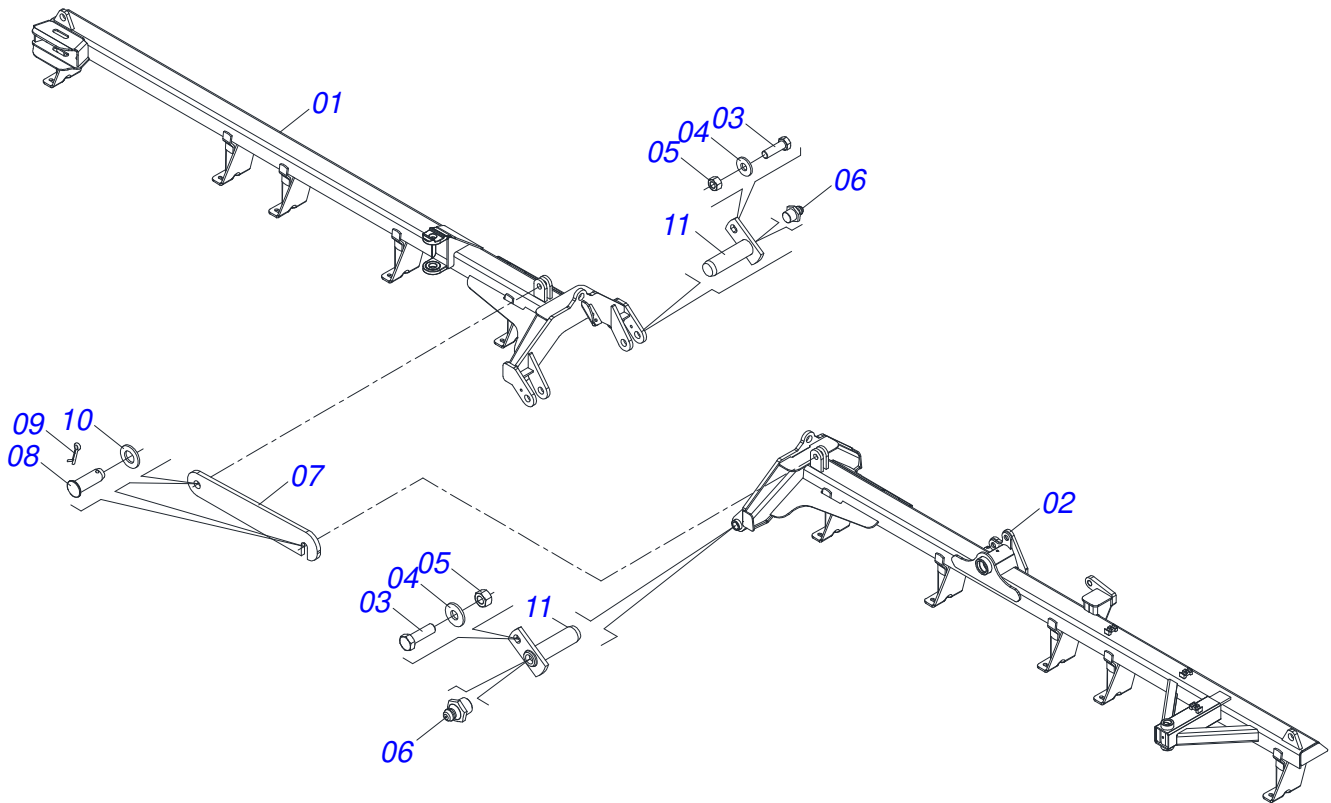
Item	Code	Description	See page	QT
01	0531063319	LEFT FRONT FRAME		01
02	0531063317	RIGHT FRONT FRAME		01
03	0501018941	TRANSPORT LOCK		01
04	0521010592	1.1" X 3.1" COUPLING SHAFT		02
05	0503010571	1/4" X 1.1/2 COTTERPIN		02
06	0511017480	FLAT WASHER		02
07	0501063751	1.5" X 5.5" PIVOT SHAFT		02
08	0501010100	SCREW 5/8 UNC X 2 CS G.5 ZN		02
09	0501012140	FLAT WASHER		02
10	0503010013	5/8" NUT		02
11	0503010002	1800 GREASE FITTING		02



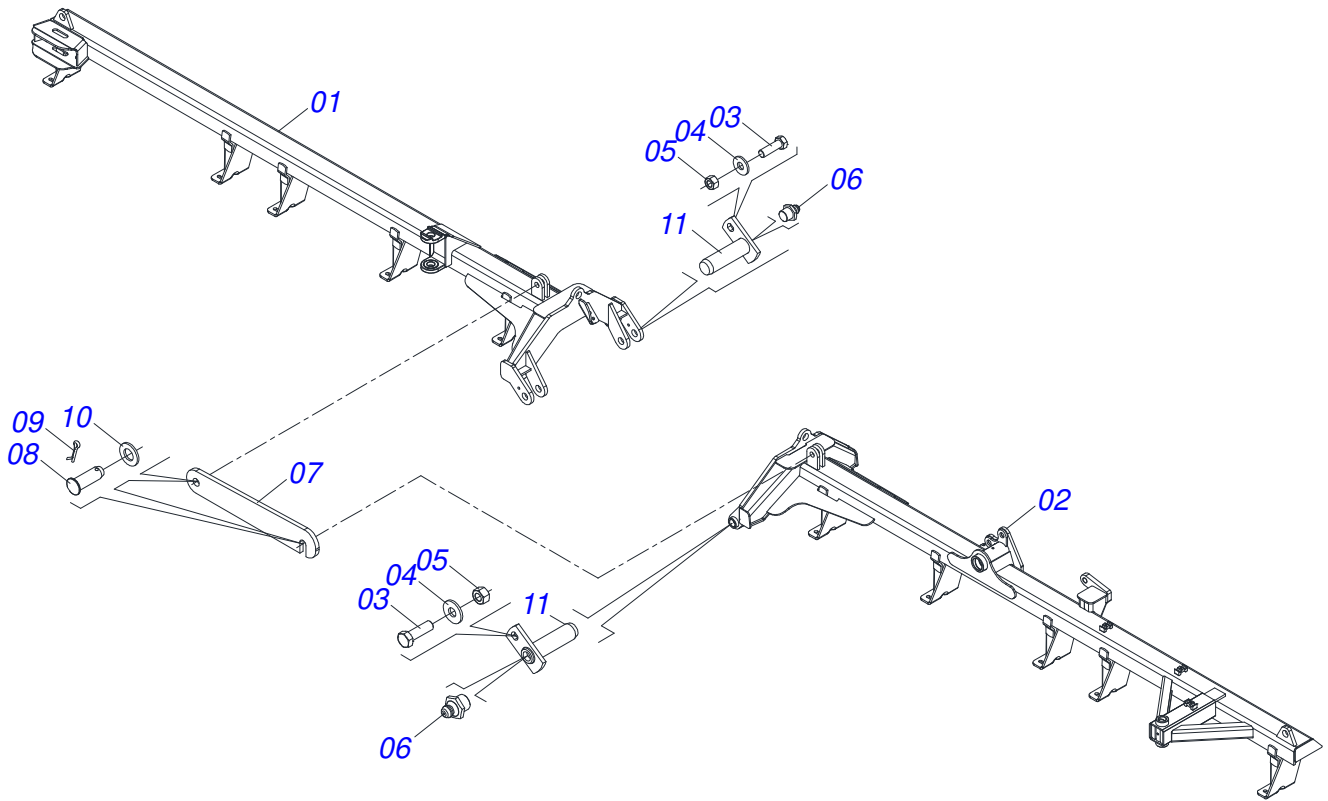
Item	Code	Description	See page	QT
01	0531063329	LEFT FRONT FRAME		01
02	0531063327	RIGHT FRONT FRAME		01
03	0501018941	TRANSPORT LOCK		01
04	0521010592	1.1" X 3.1" COUPLING SHAFT		02
05	0503010571	1/4" X 1.1/2 COTTERPIN		02
06	0511017480	FLAT WASHER		02
07	0501063751	1.5" X 5.5" PIVOT SHAFT		02
08	0501010100	SCREW 5/8 UNC X 2 CS G.5 ZN		02
09	0501012140	FLAT WASHER		02
10	0503010013	5/8" NUT		02
11	0503010002	1800 GREASE FITTING		02



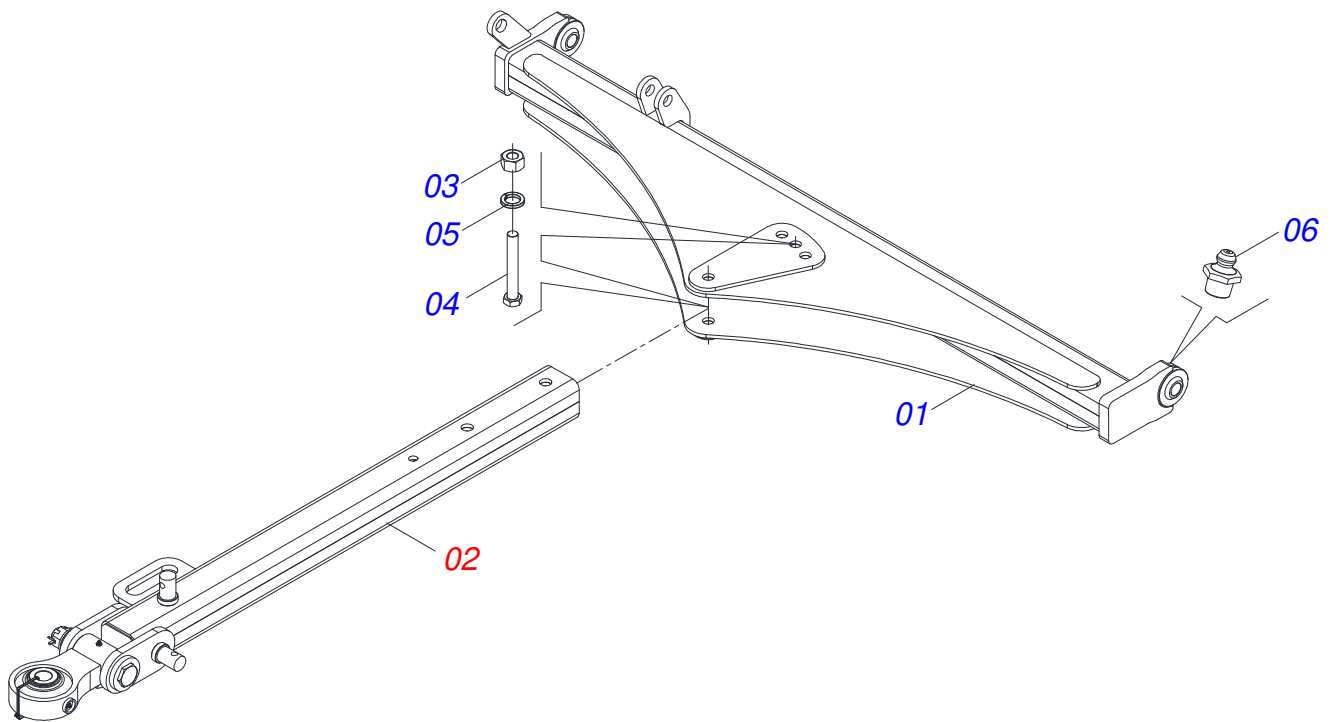
Item	Code	Description	See page	QT
01	0531063313	RIGHT REAR FRAME		01
02	0531063315	LEFT REAR FRAME		01
03	0501010100	SCREW 5/8 UNC X 2 CS G.5 ZN		02
04	0501012140	FLAT WASHER		02
05	0503010013	5/8" NUT		02
06	0503010002	1800 GREASE FITTING		02
07	0501018941	TRANSPORT LOCK		01
08	0521010592	1.1" X 3.1" COUPLING SHAFT		02
09	0503010571	1/4" X 1.1/2 COTTERPIN		02
10	0511017480	FLAT WASHER		02
11	0501063751	1.5" X 5.5" PIVOT SHAFT		02



Item	Code	Description	See page	QT
01	0531063321	RIGHT REAR FRAME		01
02	0531063323	LEFT REAR FRAME		01
03	0501010100	SCREW 5/8 UNC X 2 CS G.5 ZN		02
04	0501012140	FLAT WASHER		02
05	0503010013	5/8" NUT		02
06	0503010002	1800 GREASE FITTING		02
07	0501018941	TRANSPORT LOCK		01
08	0521010592	1.1" X 3.1" COUPLING SHAFT		02
09	0503010571	1/4" X 1.1/2 COTTERPIN		02
10	0511017480	FLAT WASHER		02
11	0501063751	1.5" X 5.5" PIVOT SHAFT		02

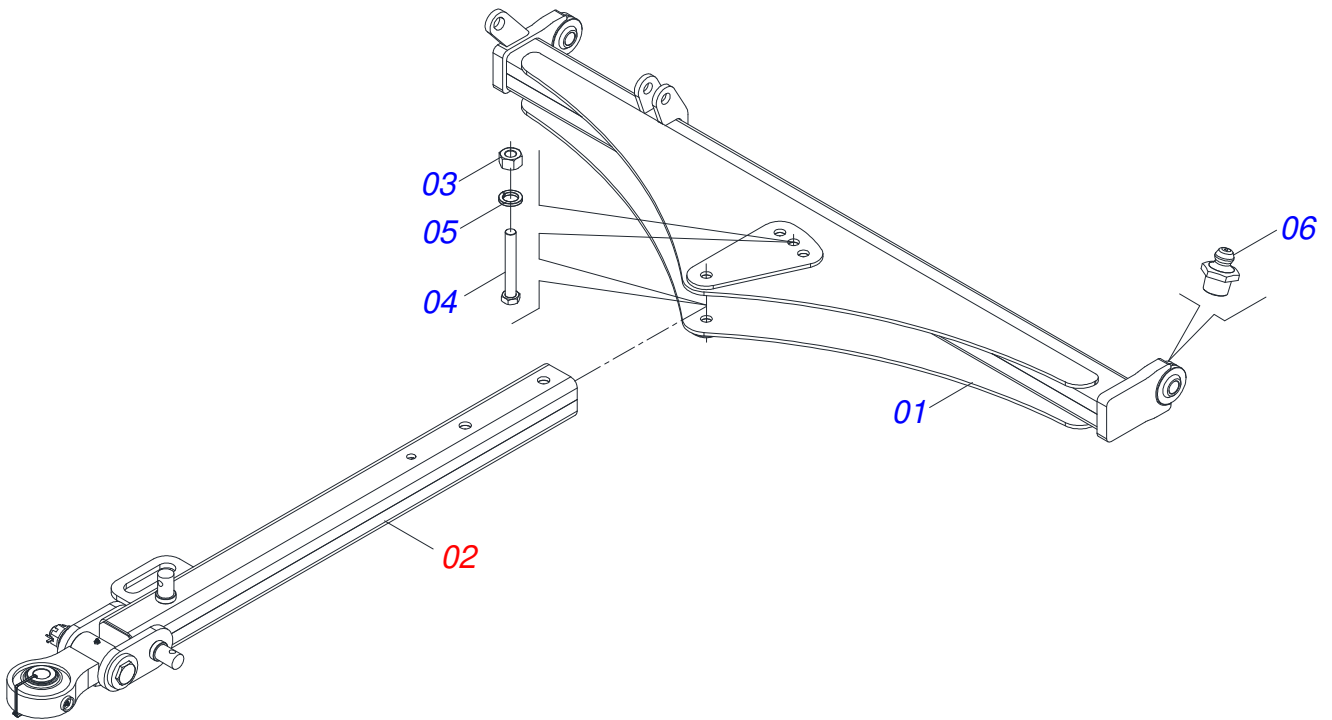


Item	Code	Description	See page	QT
01	0531063331	RIGHT REAR FRAME		01
02	0531063333	LEFT REAR FRAME		01
03	0501010100	SCREW 5/8 UNC X 2 CS G.5 ZN		02
04	0501012140	FLAT WASHER		02
05	0503010013	5/8" NUT		02
06	0503010002	1800 GREASE FITTING		02
07	0501018941	TRANSPORT LOCK		01
08	0521010592	1.1" X 3.1" COUPLING SHAFT		02
09	0503010571	1/4" X 1.1/2 COTTERPIN		02
10	0511017480	FLAT WASHER		02
11	0501063751	1.5" X 5.5" PIVOT SHAFT		02

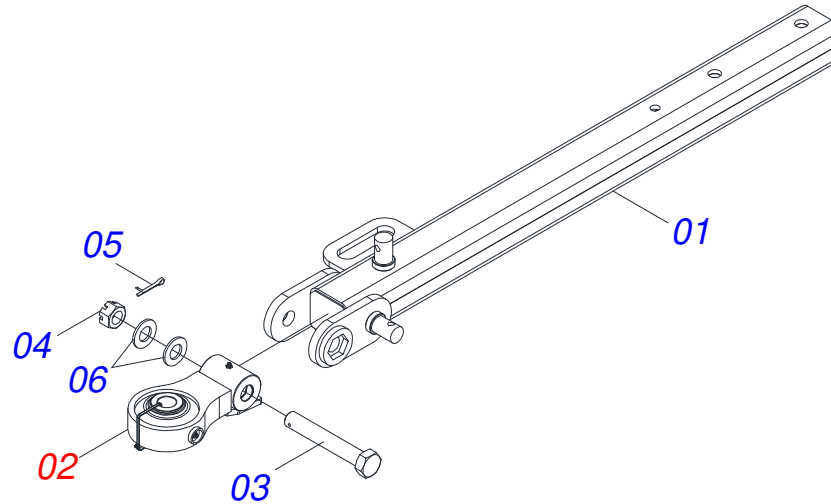


Item	Code	Description	See page	QT
01	0521068827	OFFSET BAR		01
02	0501044359	ASSY TRACTION BAR	27	01
03	0501010059	1.5/8 NUT		02
04	0501010334	1" X 7" BOLT		02
05	0503011438	SPRING WASHER		02
06	0503010002	1800 GREASE FITTING		02

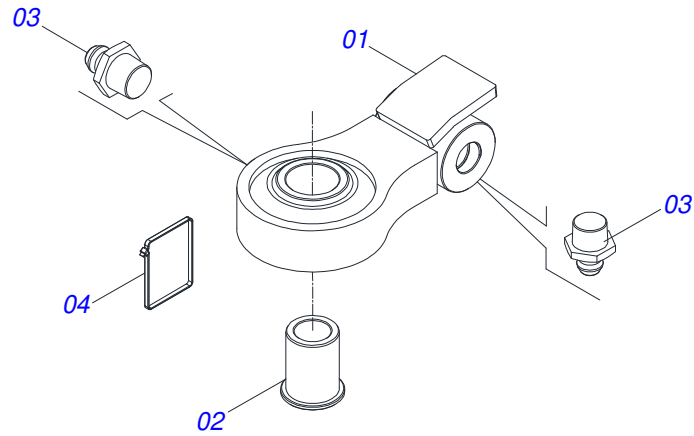
DRAWBAR ASSY



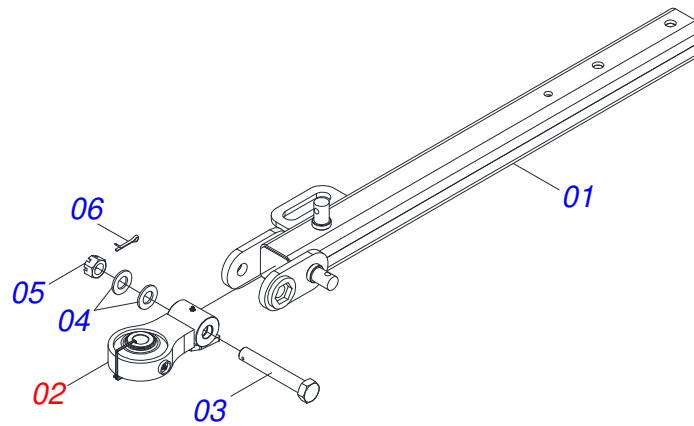
Item	Code	Description	See page	QT
01	0521065405	OFFSET BAR		01
02	0521048502	ASSY TRACTION BAR	29	01
03	0501010059	1.5/8 NUT		02
04	0501010334	1" X 7" BOLT		02
05	0503010012	1" SPRING WASHER		02
06	0503010002	1800 GREASE FITTING		02



Item	Code	Description	See page	QT
01	0501066715	DRAW BAR		01
02	0521053943	HITCH WITH ASSY ROTULA SUPPORT	28	01
03	0501017291	1-1/2" X 8.1" BOLT		01
04	0501011301	1.1/2 UNC 6FPP 2.5/16 NUT		01
05	0503010010	1/4" X 2.1/2" COTTERPIN		01
06	0501017779	32 X 60 X 4.75 FLAT WASHER		02



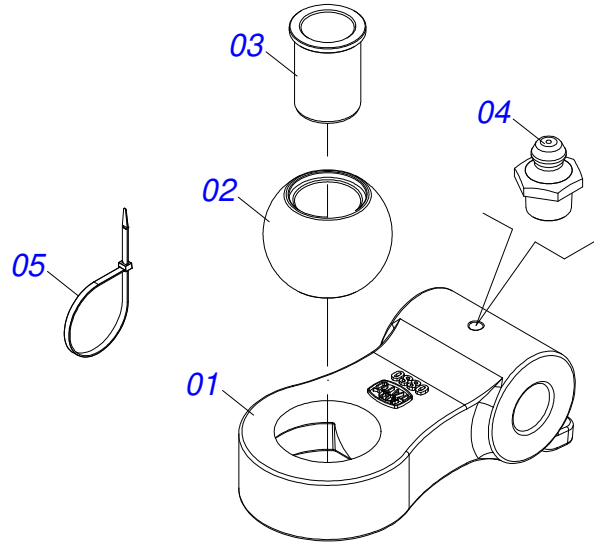
Item	Code	Description	See page	QT
01	0521069166	HITCH		01
02	0581018413	SLEEVE		01
03	0503010002	1800 GREASE FITTING		02
04	0503016033	4.8 X 1.3 X 300 MM NYLON CLAMP		01



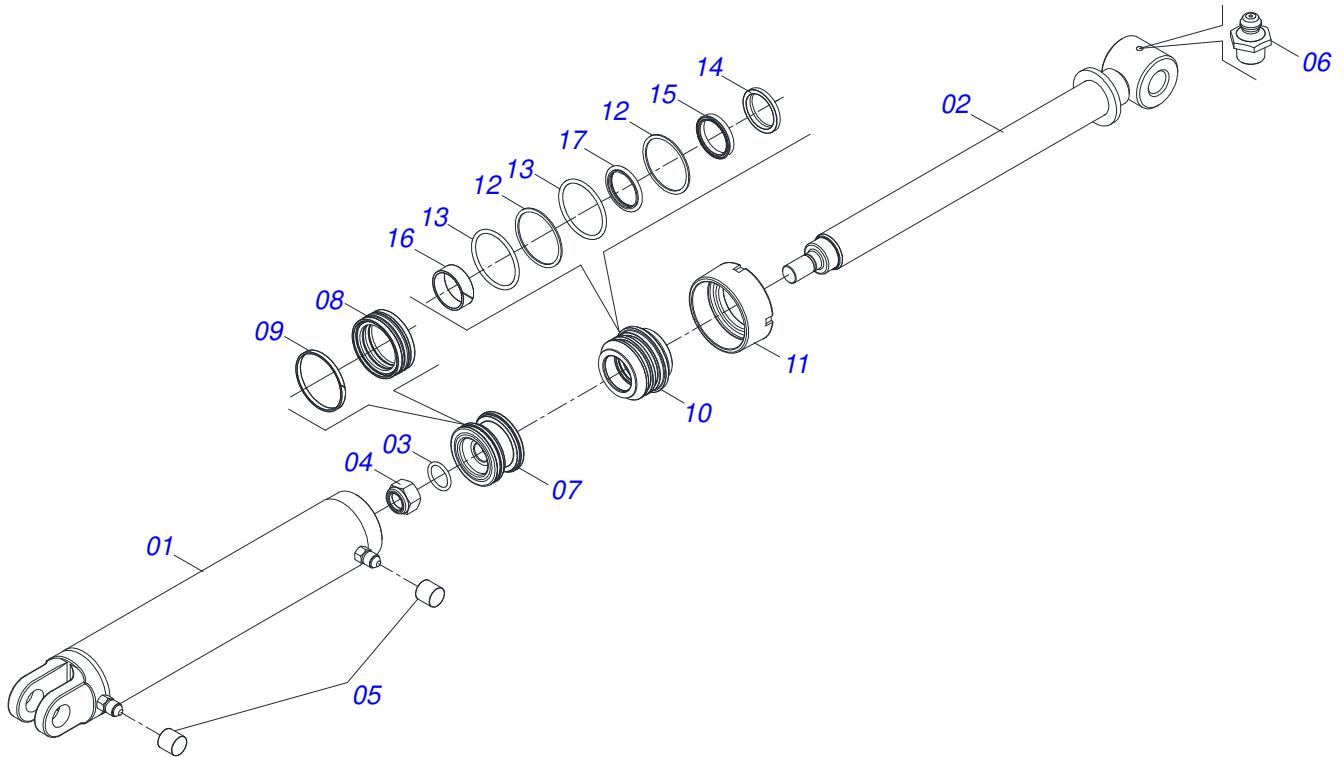
Item	Code	Description	See page	QT
01	0521069165	DRAW BAR		01
02	0521057520	HITCH ASSY	30	01
03	0581015973	1.1/4 UNC X 8 C S G5 SCREW		01
04	0501017779	32 X 60 X 4.75 FLAT WASHER		02
05	0503013026	1.1/4" CASTLE NUT		01
06	0503010010	1/4" X 2.1/2" COTTERPIN		01

HITCH ASSY

0521057520



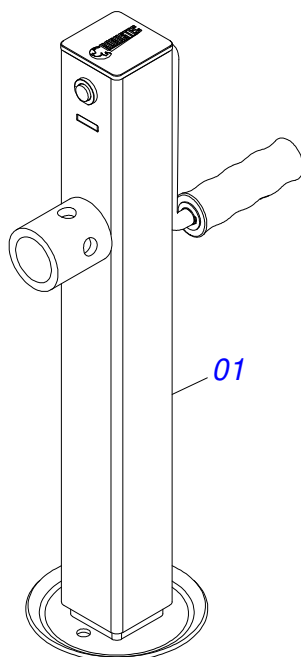
Item	Code	Description	See page	QT
01	0502040880	HITCH BODY		01
02	0502040885	BODY ATTACHMENT		01
03	0591012511	SLEEVE		01
04	0503010002	1800 GREASE FITTING		01
05	0503018829	NYLON CLAMP		01



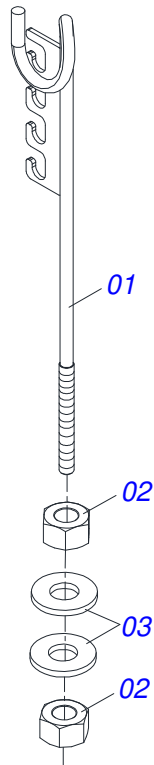
Item	Code	Description	See page	QT
01	0521063982	CYLINDER CASE		01
02	0521067533	50,80 X 697 EXTENSOR		01
03	0503010042	2-214 N 3006-9B O'RING		01
04	0503010063	1" SELF-ALIGNING NUT		01
05	0503030385	CYLINDER PLUG N-002		02
06	0503010002	1800 GREASE FITTING		01
07	0571019710	1.7" X 3.4" PISTON		01
08	0503017935	RING		01
09	0503018144	RING		01
10	0581013228	50,80 X 85,72 SUPPORT RINGS		01
11	0581013227	85,72 MOVE COVER		01
12	0503017940	8-337 BACK-UP RING		02
13	0503017939	2-337 N 3006-9B O' RING		02
14	0503010039	D-2000 SCRAPER RING		01
15	0503018026	1870-2000-375 B GASKET		01
16	0503018025	RING GUIDE		01
17	0503018024	RING BS		01

DRAWBAR JACK

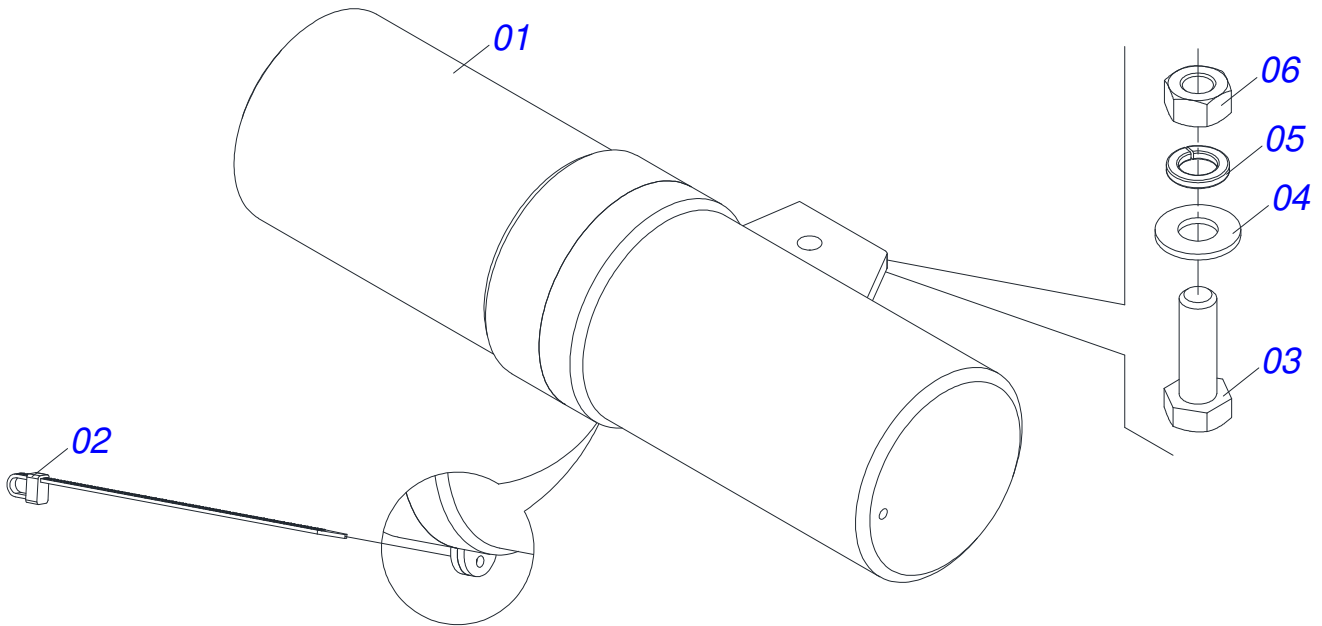
0503062157



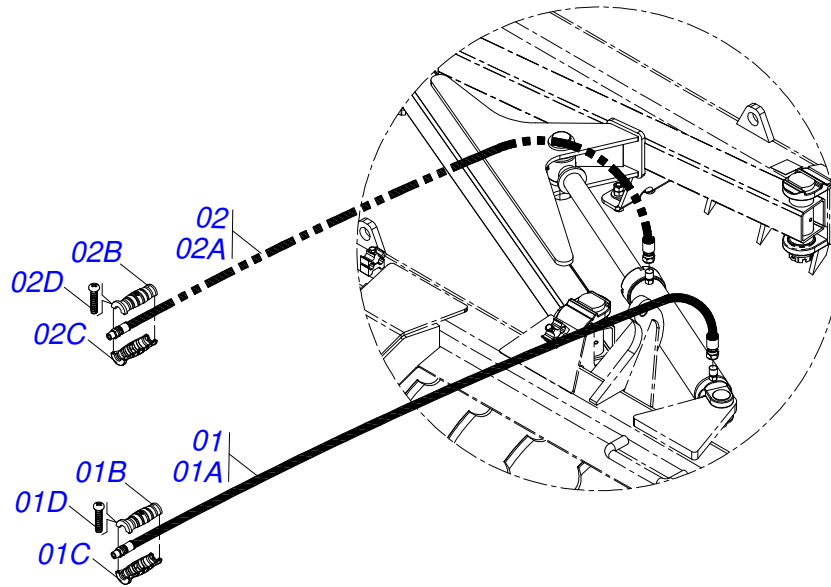
Item	Code	Description	See page	QT
01	0503062157	DRAWBAR JACK	32	01



Item	Code	Description	See page	QT
01	0511067334	HOSE SUPPORT		01
02	0503010014	3/4" HEX NUT		02
03	0501010322	FLAT WASHER		02



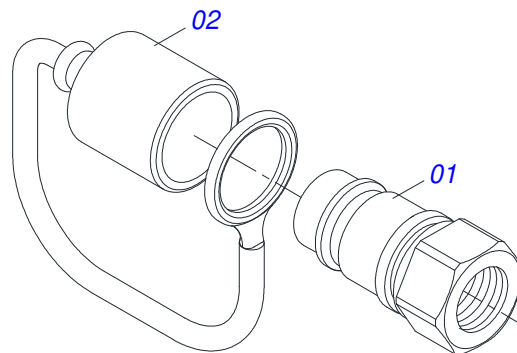
Item	Code	Description	See page	QT
01	0503060100	INSTRUCTIONS MANUAL CANISTER		01
02	0503010267	NYLON CLAMP		01
03	0503010363	BOLT 5/16 UNC X 1 C S G.2 ZN		01
04	0501010694	FLAT WASHER		01
05	0503010179	LOCK WASHER 5/16 ZN 1K01528		01
06	0503010337	5/16" NUT		01



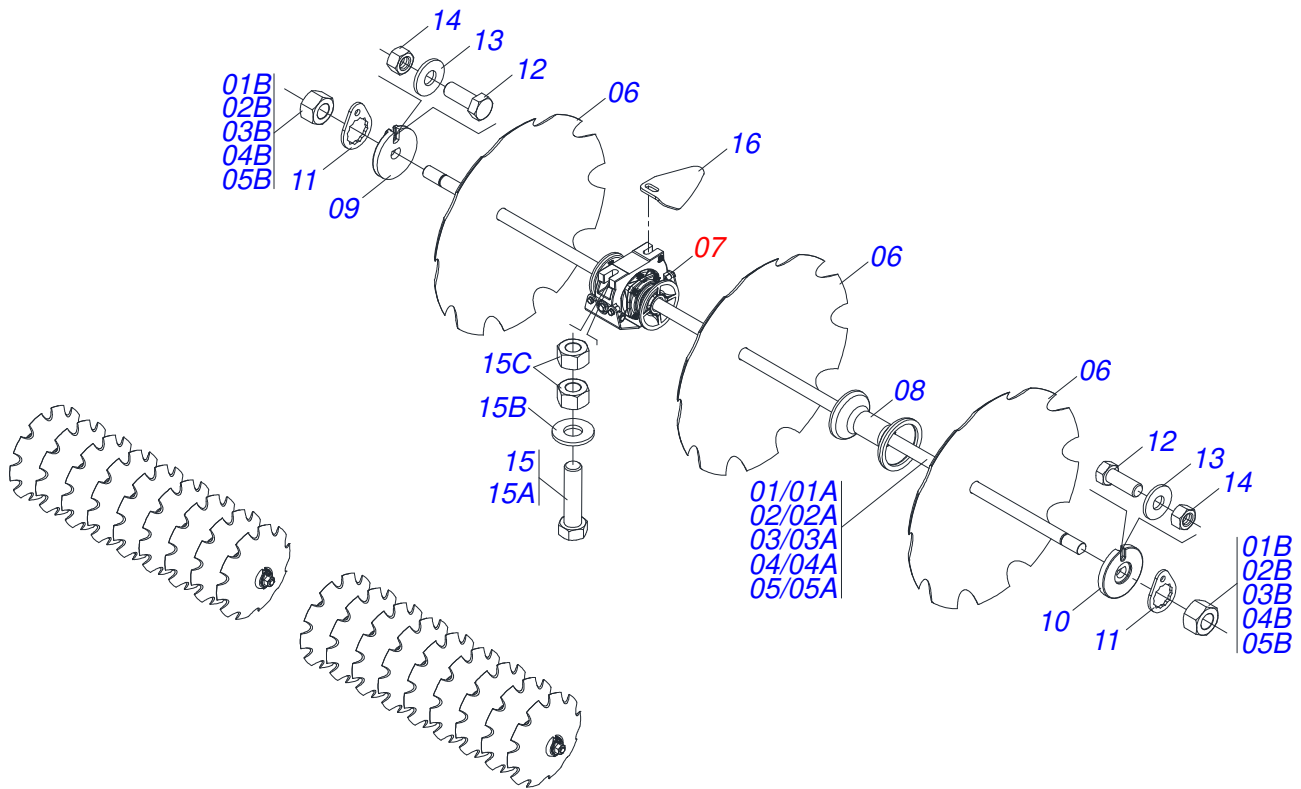
Item	Code	Description	See page	QT
01	0521053413	HOSE 3/8 X 4500 TC-TM PURPLE/RED		01
01A	0501080362	3/8" X 177" TC-TM HOSE		01
01B	0503034491	HYDRAULIC HOSE GRIP (PURPLE)		01
01C	0503034495	HYDRAULIC HOSE GRIP (RED)		01
01D	0503018952	PLASTIC BOLT		06
02	0521053414	HOSE 3/8 X 4500 TC-TM PURPLE/BLUE		01
02A	0501080362	3/8" X 177" TC-TM HOSE		01
02B	0503034491	HYDRAULIC HOSE GRIP (PURPLE)		01
02C	0503034494	HYDRAULIC HOSE GRIP (BLUE)		01
02D	0503018952	PLASTIC BOLT		06

MALE QUICK COUPLER

0501053834

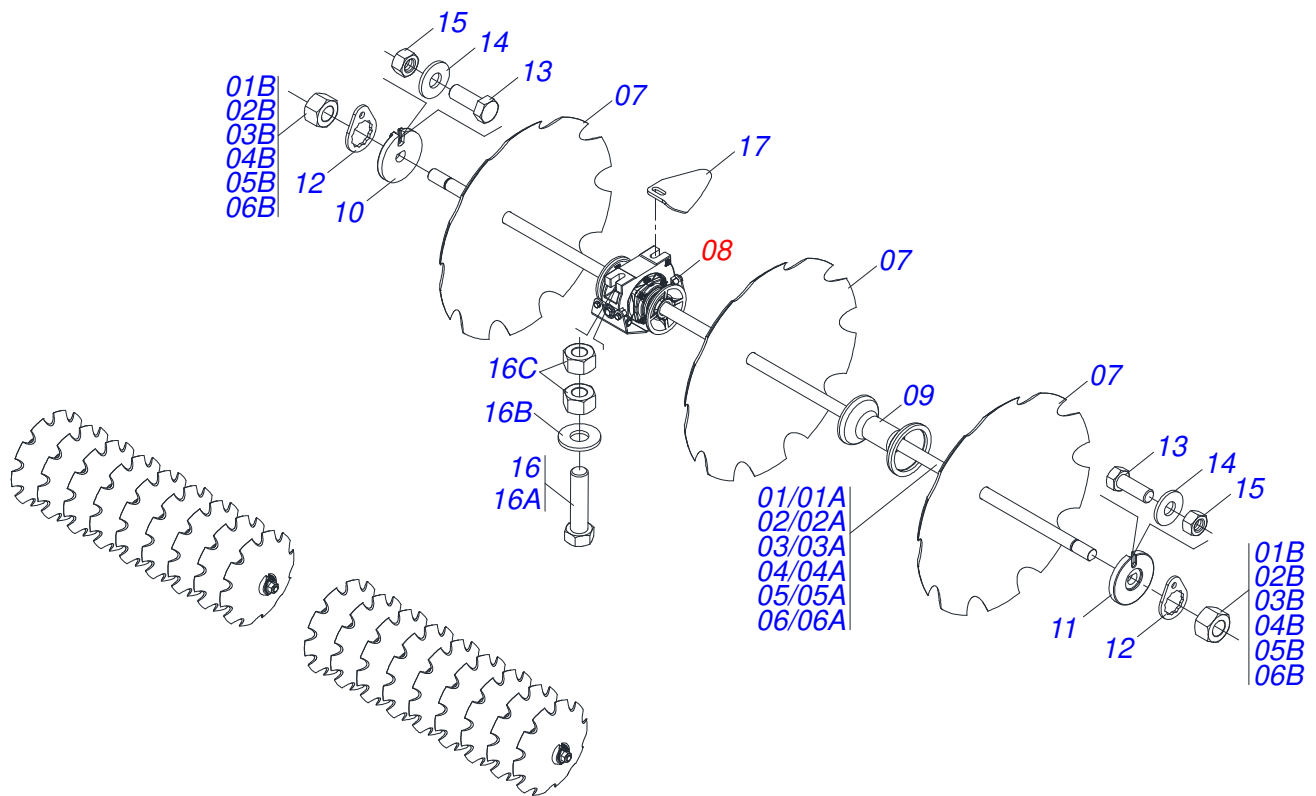


Item	Code	Description	See page	QT
01	0503011627	MALE QUICK COUPLER AGR 1/2 NPT		01
02	0503011882	MALE QUICK COUPLER CAP		01



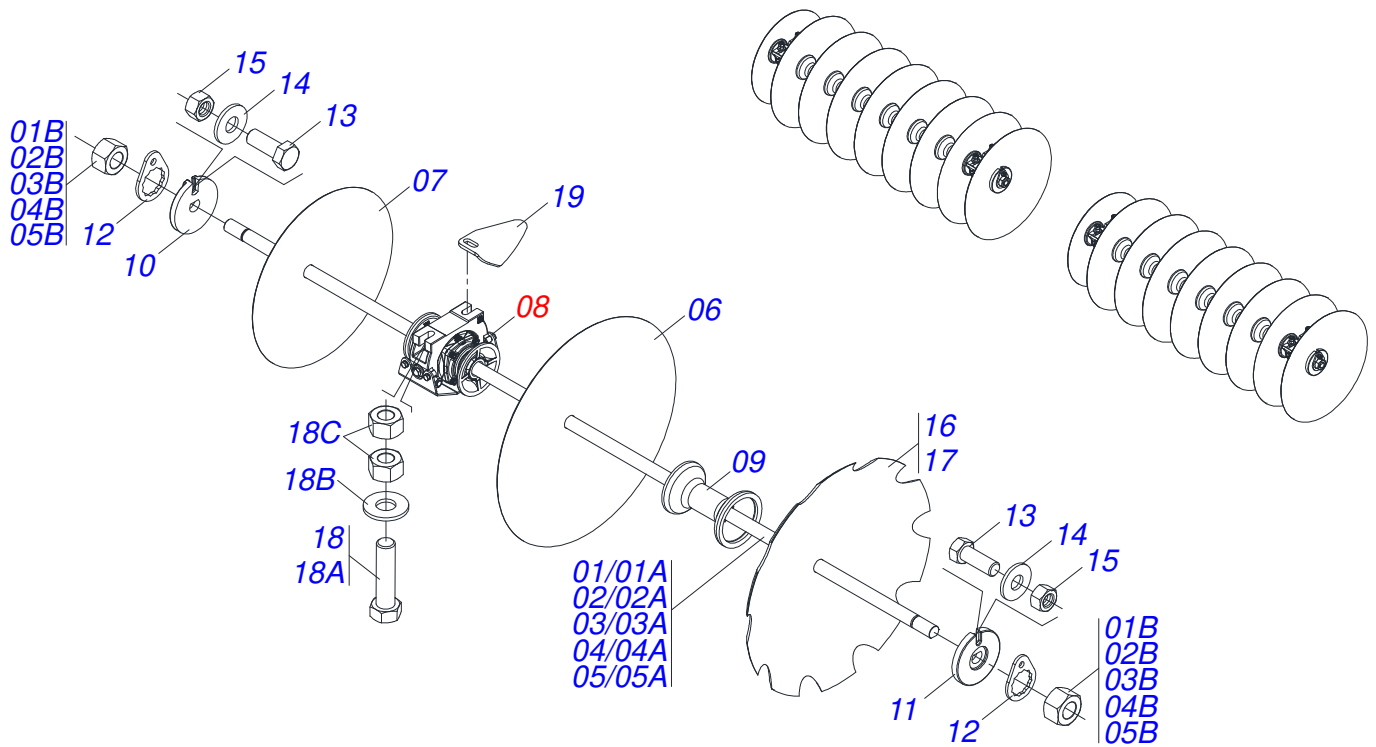
Item	Code	Description	See page	48	52	56	60	64
01	0521045341	1.1/2 6FPP X 2290 AXLE WITH NUTS		02	00	00	00	00
01A	0511012017	1.1/2 6FPP X 2290 AXLE		02	00	00	00	00
01B	0501810110	1.1/2 NC 6FPP NUT		04	00	00	00	00
02	0511054527	1.1/2 6FPP X 2490 AXLE WITH NUTS		00	02	00	00	00
02A	0531019372	1.1/2 6FPP X 2490 AXLE		00	02	00	00	00
02B	0501810110	1.1/2 NC 6FPP NUT		00	04	00	00	00
03	0511045023	1.1/2 6FPP X 2680 AXLE WITH NUTS		00	00	02	00	00
03A	0551011002	1.1/2 6FPP X 2680 AXLE		00	00	02	00	00
03B	0501810110	1.1/2 NC 6FPP NUT		00	00	04	00	00
04	0501059898	1.1/2 6FPP X 2880 AXLE WITH NUTS		00	00	00	02	00
04A	0561016111	1.1/2 6FPP X 2880 AXLE		00	00	00	02	00
04B	0501810110	1.1/2 NC 6FPP NUT		00	00	00	04	00
05	0501043697	1.1/2 6FPP X 1505 AXLE WITH NUTS		00	00	00	00	02
05A	0511012601	1.1/2 6FPP X 1505 AXLE		00	00	00	00	02
05B	0501810110	1.1/2 NC 6FPP NUT		00	00	00	00	04
06	0602027341	DR 20 X 3,5 C57AF02FR1.9/16 10R		24	26	28	30	32
06.	0602027356	DR 20 X 4,5 C57AF02FR1.9/16 10R		24	26	28	30	32
06..	0602029422	DR 22 X 3,5 C64AF02FR1.9/16 10R		24	26	28	30	32
06...	0602029416	DR 22 X 4,5 C64AF02FR1.9/16 10R		24	26	28	30	32
06....	0602030429	DR 24 X 4,5 C66AF02FR1.9/16 10R		24	26	28	30	32
07	0521047187	BEARING	41	06	06	06	06	06
08	0502010627	SPACER		16	18	20	22	24
09	0502010871	1-1/2" EXTERNAL AXLE WASHER		02	02	02	02	02
10	0502010872	1-1/2" INNER AXLE WASHER		02	02	02	02	02
11	0501018592	1.5/8" NUT LOCK		04	04	04	04	04
12	0503011267	BOLT 5/8 UNC X 1.1/2 C S G.5 ZN		04	04	04	04	04
13	0501012140	FLAT WASHER		04	04	04	04	04
14	0503012412	5/8 UNC SELF LOCKING NUT		04	04	04	04	04
15	0521059224	SCREW ASSEMBLY		12	12	12	12	12
15A	0501013233	5/8" X 2-3/4" BOLT		12	12	12	12	12
15B	0501012140	FLAT WASHER		12	12	12	12	12

Item	Code	Description	See page	48	52	56	60	64
15C	0503010013	5/8" NUT		24	24	24	24	24
16	0591015195	FRONT SCRAPER		06	06	06	06	06



Item	Code	Description	See page	68	72	76	80	84
01	0531041855	1.1/2 6FPP X 3277 AXLE WITH NUTS		02	00	00	00	00
01A	0501212047	1.1/2 6FPP X 3277 AXLE		02	00	00	00	00
01B	0501810110	1.1/2 NC 6FPP NUT		04	00	00	00	00
02	0521059183	1.1/2 6FPP X 3470 AXLE WITH NUTS		00	02	00	00	00
02A	0591015177	1.1/2 6FPP X 3277 AXLE		00	02	00	00	00
02B	0501810110	1.1/2 NC 6FPP NUT		00	04	00	00	00
03	0501043697	1.1/2 6FPP X 1505 AXLE WITH NUTS		00	00	02	02	02
03A	0511012601	1.1/2 6FPP X 1505 AXLE		00	00	02	02	02
03B	0501810110	1.1/2 NC 6FPP NUT		00	00	04	04	04
04	0511049630	1.1/2 6FPP X 2095 AXLE WITH NUTS		00	00	02	00	00
04A	0561019198	1.1/2 6FPP X 2095 AXLE		00	00	02	00	00
04B	0501810110	1.1/2 NC 6FPP NUT		00	00	04	00	00
05	0521045341	1.1/2 6FPP X 2290 AXLE WITH NUTS		00	00	00	02	00
05A	0511012017	1.1/2 6FPP X 2290 AXLE		00	00	00	02	00
05B	0501810110	1.1/2 NC 6FPP NUT		00	00	00	04	00
06	0511054527	1.1/2 6FPP X 2490 AXLE WITH NUTS		00	00	00	00	02
06A	0531019372	1.1/2 6FPP X 2490 AXLE		00	00	00	00	02
06B	0501810110	1.1/2 NC 6FPP NUT		00	00	00	00	04
07	0602027341	DR 20 X 3,5 C57AF02FR1.9/16 10R		34	36	38	40	42
07.	0602027356	DR 20 X 4,5 C57AF02FR1.9/16 10R		34	36	38	40	42
07..	0602029422	DR 22 X 3,5 C64AF02FR1.9/16 10R		34	36	38	40	42
07...	0602029416	DR 22 X 4,5 C64AF02FR1.9/16 10R		34	36	38	40	42
07....	0602030429	DR 24 X 4,5 C66AF02FR1.9/16 10R		34	36	38	40	42
08	0521047187	BEARING	41	06	06	10	10	10
09	0502010627	SPACER		26	28	24	26	28
10	0502010871	1-1/2" EXTERNAL AXLE WASHER		02	02	04	04	04
11	0502010872	1-1/2" INNER AXLE WASHER		02	02	04	04	04
12	0501018592	1.5/8" NUT LOCK		04	04	08	08	08
13	0503011267	BOLT 5/8 UNC X 1.1/2 C S G.5 ZN		04	04	08	08	08
14	0501012140	FLAT WASHER		04	04	08	08	08
15	0503012412	5/8 UNC SELF LOCKING NUT		04	04	08	08	08

Item	Code	Description	See page	68	72	76	80	84
16	0521059224	SCREW ASSEMBLY		12	12	20	20	20
16A	0501013233	5/8" X 2-3/4" BOLT		12	12	20	20	20
16B	0501012140	FLAT WASHER		12	12	20	20	20
16C	0503010013	5/8" NUT		24	24	40	40	40
17	0591015195	FRONT SCRAPER		06	06	10	10	10

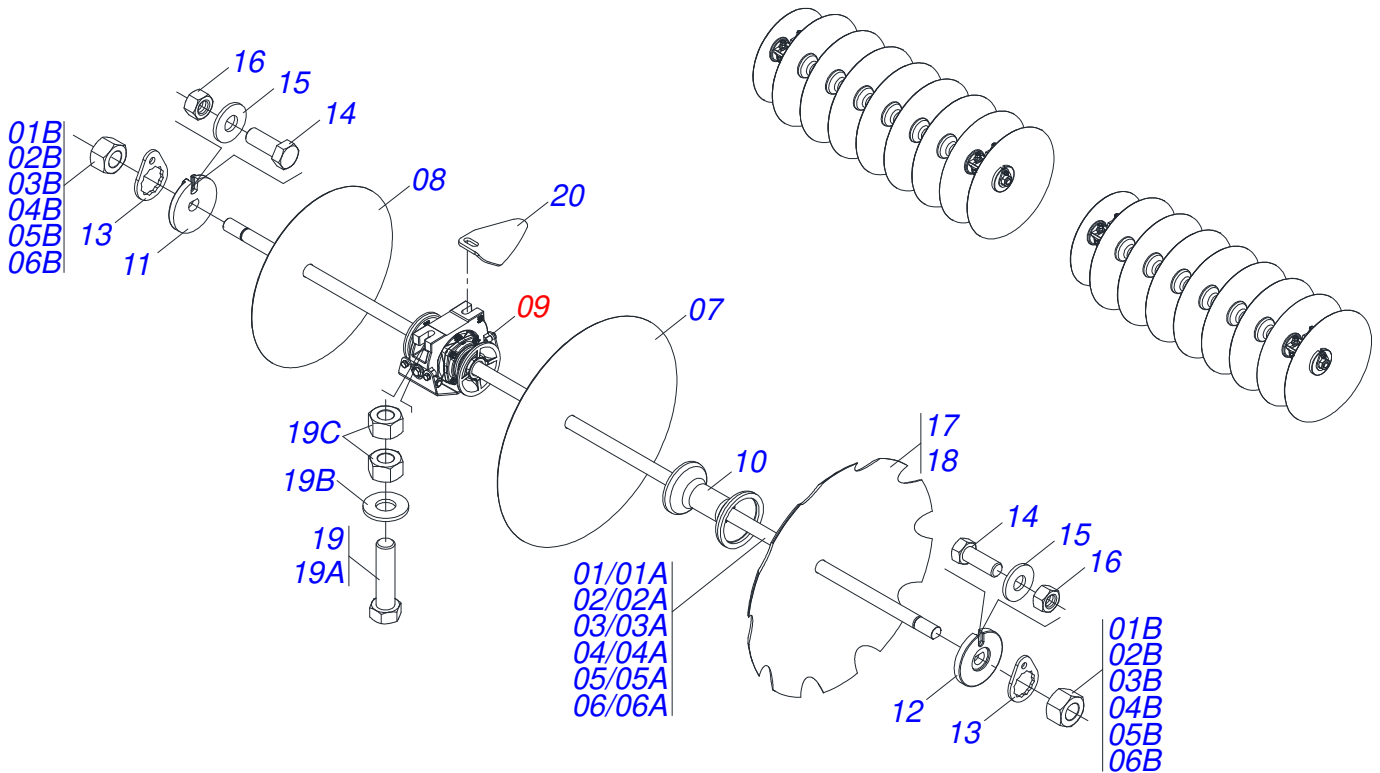


Item	Code	Description	See page	48	52	56	60	64
01	0521045341	1.1/2 6FPP X 2290 AXLE WITH NUTS		02	00	00	00	00
01A	0511012017	1.1/2 6FPP X 2290 AXLE		02	00	00	00	00
01B	0501810110	1.1/2 NC 6FPP NUT		04	00	00	00	00
02	0511054527	1.1/2 6FPP X 2490 AXLE WITH NUTS		00	02	00	00	00
02A	0531019372	1.1/2 6FPP X 2490 AXLE		00	02	00	00	00
02B	0501810110	1.1/2 NC 6FPP NUT		00	04	00	00	00
03	0511045023	1.1/2 6FPP X 2680 AXLE WITH NUTS		00	00	02	00	00
03A	0551011002	1.1/2 6FPP X 2680 AXLE		00	00	02	00	00
03B	0501810110	1.1/2 NC 6FPP NUT		00	00	04	00	00
04	0501059898	1.1/2 6FPP X 2880 AXLE WITH NUTS		00	00	00	02	00
04A	0561016111	1.1/2 6FPP X 2880 AXLE		00	00	00	02	00
04B	0501810110	1.1/2 NC 6FPP NUT		00	00	00	04	00
05	0501043697	1.1/2 6FPP X 1505 AXLE WITH NUTS		00	00	00	00	02
05A	0511012601	1.1/2 6FPP X 1505 AXLE		00	00	00	00	02
05B	0501810110	1.1/2 NC 6FPP NUT		00	00	00	00	04
06	0601027302	DL 20 X 3,5 C57AF02FR1.9/16		22	24	26	28	30
06.	0601027299	DL 20 X 4,5 C57AF02FR1.9/16		22	24	26	28	30
06..	0601029419	DL 22 X 3,5 C64AF02FR1.9/16		22	24	26	28	30
06...	0601029413	DL 22 X 4,5 C64AF02FR1.9/16		22	24	26	28	30
06....	0601031134	DL 24 X 4,5 C66AF02FR1.9/16		22	24	26	28	30
07	0601025033	DL 18 X 3,5 C45AF02FR1.9/16		02	02	02	02	02
07.	0601025099	DL 18 X 4,5 C45AFPAFR1.9/16		02	02	02	02	02
07..	0601027302	DL 20 X 3,5 C57AF02FR1.9/16		02	02	02	02	02
07...	0601027299	DL 20 X 4,5 C57AF02FR1.9/16		02	02	02	02	02
07....	0601029419	DL 22 X 3,5 C64AF02FR1.9/16		02	02	02	02	02
07.....	0601029414	DL 22 X 4,5 C63AF02FR1.9/16		02	02	02	02	02
07.....	0601029413	DL 22 X 4,5 C64AF02FR1.9/16		02	02	02	02	02
08	0521047187	BEARING	41	06	06	06	06	06
09	0502010627	SPACER		16	18	20	22	24
10	0502010871	1-1/2" EXTERNAL AXLE WASHER		02	02	02	02	02
11	0502010872	1-1/2" INNER AXLE WASHER		02	02	02	02	02

REAR GANG DISC - 48/52/56/60/64D

0909096571

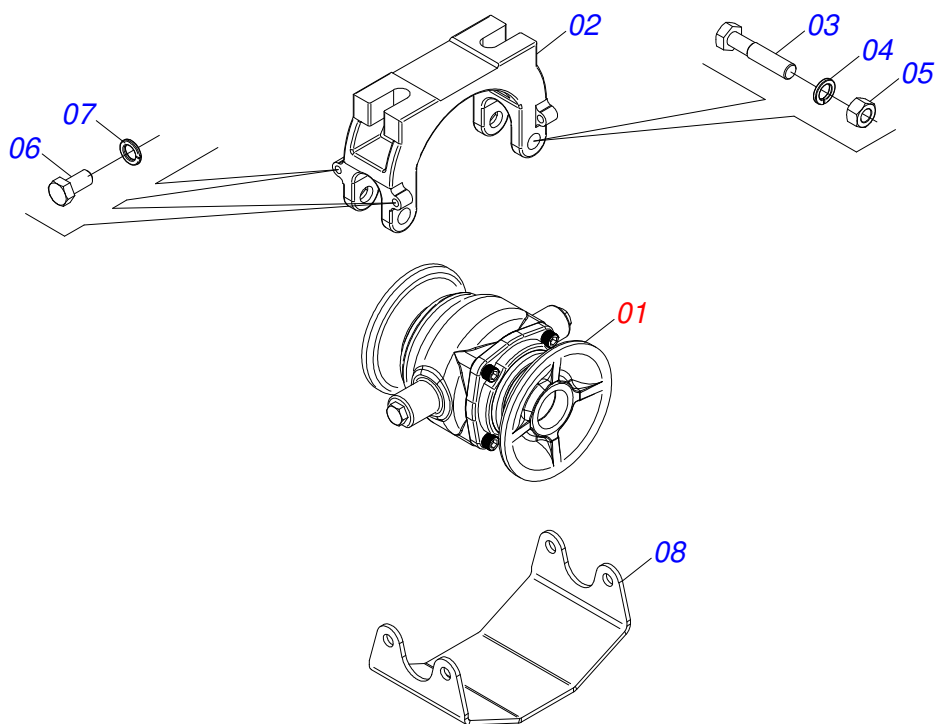
Item	Code	Description	See page	48	52	56	60	64
12	0501018592	1.5/8" NUT LOCK		04	04	04	04	04
13	0503011267	BOLT 5/8 UNC X 1.1/2 C S G.5 ZN		04	04	04	04	04
14	0501012140	FLAT WASHER		04	04	04	04	04
15	0503012412	5/8 UNC SELF LOCKING NUT		04	04	04	04	04
16	0602027341	DR 20 X 3,5 C57AF02FR1.9/16 10R		22	24	26	28	30
16.	0602027356	DR 20 X 4,5 C57AF02FR1.9/16 10R		22	24	26	28	30
16..	0602029422	DR 22 X 3,5 C64AF02FR1.9/16 10R		22	24	26	28	30
16...	0602029416	DR 22 X 4,5 C64AF02FR1.9/16 10R		22	24	26	28	30
16....	0602030429	DR 24 X 4,5 C66AF02FR1.9/16 10R		22	24	26	28	30
17	0602027341	DR 20 X 3,5 C57AF02FR1.9/16 10R		02	02	02	02	02
17.	0602027343	DR 20 X 4,5 C57AF02FR1.9/16 10R		02	02	02	02	02
17..	0602027356	DR 20 X 4,5 C57AF02FR1.9/16 10R		02	02	02	02	02
17...	0602029416	DR 22 X 4,5 C64AF02FR1.9/16 10R		02	02	02	02	02
18	0521059224	SCREW ASSEMBLY		12	12	12	12	12
18A	0501013233	5/8" X 2-3/4" BOLT		12	12	12	12	12
18B	0501012140	FLAT WASHER		12	12	12	12	12
18C	0503010013	5/8" NUT		24	24	24	24	24
19	0591015196	REAR SCRAPER		06	06	06	06	06



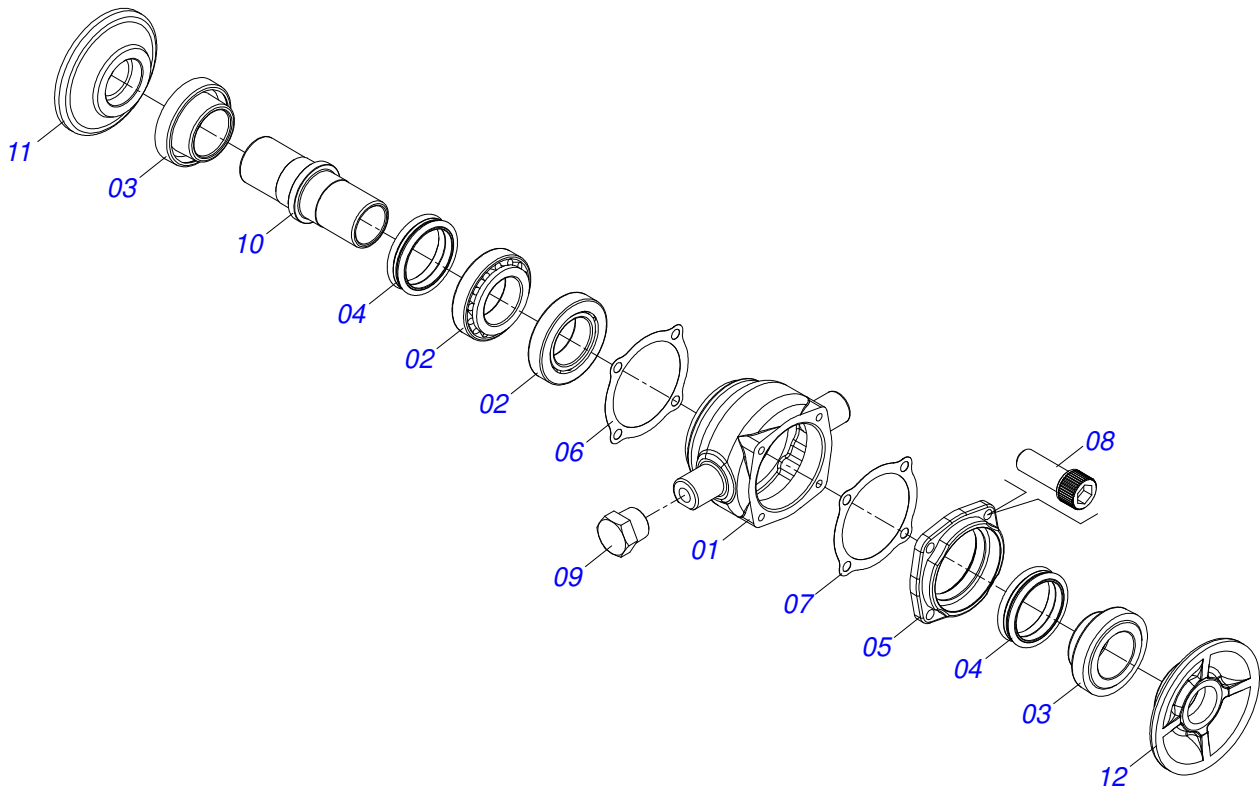
Item	Code	Description	See page	68	72	76	80	84
01	0531041855	1.1/2 6FPP X 3277 AXLE WITH NUTS		02	00	00	00	00
01A	0501212047	1.1/2 6FPP X 3277 AXLE		02	00	00	00	00
01B	0501810110	1.1/2 NC 6FPP NUT		04	00	00	00	00
02	0521059183	1.1/2 6FPP X 3470 AXLE WITH NUTS		00	02	00	00	00
02A	0591015177	1.1/2 6FPP X 3277 AXLE		00	02	00	00	00
02B	0501810110	1.1/2 NC 6FPP NUT		00	04	00	00	00
03	0501043697	1.1/2 6FPP X 1505 AXLE WITH NUTS		00	00	02	02	02
03A	0511012601	1.1/2 6FPP X 1505 AXLE		00	00	02	02	02
03B	0501810110	1.1/2 NC 6FPP NUT		00	00	04	04	04
04	0511049630	1.1/2 6FPP X 2095 AXLE WITH NUTS		00	00	02	00	00
04A	0561019198	1.1/2 6FPP X 2095 AXLE		00	00	02	00	00
04B	0501810110	1.1/2 NC 6FPP NUT		00	00	04	00	00
05	0521045341	1.1/2 6FPP X 2290 AXLE WITH NUTS		00	00	00	02	00
05A	0511012017	1.1/2 6FPP X 2290 AXLE		00	00	00	02	00
05B	0501810110	1.1/2 NC 6FPP NUT		00	00	00	04	00
06	0511054527	1.1/2 6FPP X 2490 AXLE WITH NUTS		00	00	00	00	02
06A	0531019372	1.1/2 6FPP X 2490 AXLE		00	00	00	00	02
06B	0501810110	1.1/2 NC 6FPP NUT		00	00	00	00	04
07	0601027302	DL 20 X 3,5 C57AF02FR1.9/16		32	34	36	38	40
07.	0601027299	DL 20 X 4,5 C57AF02FR1.9/16		32	34	36	38	40
07..	0601029404	DL 22 X 3,5 C64AF02FR1.9/16		32	34	36	38	40
07...	0601029419	DL 22 X 3,5 C64AF02FR1.9/16		32	34	36	38	40
07....	0601029413	DL 22 X 4,5 C64AF02FR1.9/16		32	34	36	38	40
07.....	0601031134	DL 24 X 4,5 C66AF02FR1.9/16		32	34	36	38	40
08	0601025033	DL 18 X 3,5 C45AF02FR1.9/16		02	02	02	02	02
08.	0601025099	DL 18 X 4,5 C45AFPAFR1.9/16		02	02	02	02	02
08..	0601027300	DL 20 X 3,5 C57AF02FR1.9/16		02	02	02	02	02
08...	0601027302	DL 20 X 3,5 C57AF02FR1.9/16		02	02	02	02	02
08....	0601027299	DL 20 X 4,5 C57AF02FR1.9/16		02	02	02	02	02
08.....	0601029419	DL 22 X 3,5 C64AF02FR1.9/16		02	02	02	02	02
08.....	0601029413	DL 22 X 4,5 C64AF02FR1.9/16		02	02	02	02	02

Item	Code	Description	See page	68	72	76	80	84
08.....	0601029414	DL 22 X 4,5 C63AF02FR1.9/16		02	02	02	02	02
09	0521047187	BEARING	41	06	06	10	10	10
10	0502010627	SPACER		26	28	24	26	28
11	0502010871	1-1/2" EXTERNAL AXLE WASHER		02	02	04	04	04
12	0502010872	1-1/2" INNER AXLE WASHER		02	02	04	04	04
13	0501018592	1.5/8" NUT LOCK		04	04	08	08	08
14	0503011267	BOLT 5/8 UNC X 1.1/2 C S G.5 ZN		04	04	08	08	08
15	0501012140	FLAT WASHER		04	04	08	08	08
16	0503012412	5/8 UNC SELF LOCKING NUT		04	04	08	08	08
17	0602027341	DR 20 X 3,5 C57AF02FR1.9/16 10R		32	34	36	38	40
17.	0602027356	DR 20 X 4,5 C57AF02FR1.9/16 10R		32	34	36	38	40
17..	0602029422	DR 22 X 3,5 C64AF02FR1.9/16 10R		32	34	36	38	40
17...	0602029416	DR 22 X 4,5 C64AF02FR1.9/16 10R		32	34	36	38	40
17....	0602030429	DR 24 X 4,5 C66AF02FR1.9/16 10R		32	34	36	38	40
18	0602027341	DR 20 X 3,5 C57AF02FR1.9/16 10R		02	02	02	02	02
18.	0602027119	DR 20 X 4,5 C57AF02FR1.9/16 10R (D006)		02	02	02	02	02
18..	0602027343	DR 20 X 4,5 C57AF02FR1.9/16 10R		02	02	02	02	02
18...	0602027356	DR 20 X 4,5 C57AF02FR1.9/16 10R		02	02	02	02	02
18....	0602029416	DR 22 X 4,5 C64AF02FR1.9/16 10R		02	02	02	02	02
19	0521059224	SCREW ASSEMBLY		12	12	20	20	20
19A	0501013233	5/8" X 2-3/4" BOLT		12	12	20	20	20
19B	0501012140	FLAT WASHER		12	12	20	20	20
19C	0503010013	5/8" NUT		24	24	40	40	40
20	0591015196	REAR SCRAPER		06	06	10	10	10

BEARING



Item	Code	Description	See page	QT
01	0521050840	SWIVEL OIL BATH BEARING 192,5 X 1.1/2	42	01
02	0502012854	BEARING SUPPORT		01
03	0501011541	5/8" X 3" BOLT		02
04	0503010027	5/8" SPRING WASHER		02
05	0503010013	5/8" NUT		02
06	0503011334	BOLT 3/8 UNC X 3/4 CS G.5 ZN		04
07	0503010025	3/8" SPRING WASHER		04
08	0581014143	SWIVEL OIL BATH BEARING WEAR PLATE		01



Item	Code	Description	See page	QT
01	0502012839	BEARING HOUSING		01
02	0503010006	32210 ROLLER BEARING		02
03	0502010541	SEAL RETAINER		02
04	0503030026	SEAL LP JB-253		02
05	0502020424	HOUSING CAP		01
06	0503030013	4.4" X 3.5" X 0.004" JOINT		02
07	0503030684	4.4" X 3.5" X 0.004" JOINT		01
08	0503010134	3/8" X 1" BOLT		04
09	0503010856	OIL PLUG		02
10	0502040061	AXLE		01
11	0502010605	INNER FLANGE		01
12	0502010604	OUTER FLANGE		01
13	3402301247	MINERAL OIL GREASE		0,13Lts



ANNOTATION





civemasa

Technical Publications | Elaboration and Revision
LEONARDO JOSÉ DA SILVA SOUZA

www.civemasa.com.br

