

DISK HARROWS

**GASPCRC EHD 10020 - HIDRAULICS - 2.3/4" AXLE -
12/14/16/17/18/20/22/24D**

**GASPCRC EHD 10020 - HIDRÁULICA - EIXO 2.3/4" -
12/14/16/17/18/20/22/24D**

Code: 0501093335
Series: S-0322
Revision: 00
Revision Date: JANUARY/2024

PARTS CATALOGUE

CIVEMASA

PRODUCTS

Code	Working Width	Description
0121510216		GASPCRC EHD 10020 12X36X12 DR DMO HID E2.3/4 S0322
0121510217		GASPCRC EHD 10020 12X38X12 DR DMO HID E2.3/4 S0322
0121510218		GASPCRC EHD 10020 12X40X12 DR DMO HID E2.3/4 S0322
0121510219		GASPCRC EHD 10020 12X42X12 DR DMO HID E2.3/4 S0322
0121510220		GASPCRC EHD 10020 14X36X12 DR DMO HID E2.3/4 S0322
0121510221		GASPCRC EHD 10020 14X38X12 DR DMO HID E2.3/4 S0322
0121510222		GASPCRC EHD 10020 14X40X12 DR DMO HID E2.3/4 S0322
0121510223		GASPCRC EHD 10020 14X42X12 DR DMO HID E2.3/4 S0322
0121510359		GASPCRC EHD 10020 14X44X12 DR DMO HID E2.3/4 S0322
0121510264		GASPCRC EHD 10020 16X36X12 DR DMO H PN400/55 S0322
0121510200		GASPCRC EHD 10020 16X36X12 DR DMO HID E2.3/4 S0322
0121510265		GASPCRC EHD 10020 16X38X12 DR DMO H PN400/55 S0322
0121510245		GASPCRC EHD 10020 16X38X12 DR DMO HID E2.3/4 S0322
0121510266		GASPCRC EHD 10020 16X40X12 DR DMO H PN400/55 S0322
0121510248		GASPCRC EHD 10020 16X40X12 DR DMO HID E2.3/4 S0322
0121510267		GASPCRC EHD 10020 16X42X12 DR DMO H PN400/55 S0322
0121510249		GASPCRC EHD 10020 16X42X12 DR DMO HID E2.3/4 S0322
0121510293		GASPCRC EHD 10020 17X44X12 DR DMO H E2.3/4 E S0322
0121510268		GASPCRC EHD 10020 18X36X12 DR DMO H PN400/55 S0322
0121510258		GASPCRC EHD 10020 18X36X12 DR DMO HID E2.3/4 S0322
0121510269		GASPCRC EHD 10020 18X38X12 DR DMO H PN400/55 S0322
0121510270		GASPCRC EHD 10020 18X40X12 DR DMO H PN400/55 S0322
0121510262		GASPCRC EHD 10020 18X40X12 DR DMO HID E2.3/4 S0322
0121510271		GASPCRC EHD 10020 18X42X12 DR DMO H PN400/55 S0322
0121510263		GASPCRC EHD 10020 18X42X12 DR DMO HID E2.3/4 S0322
0121510272		GASPCRC EHD 10020 20X36X12 DR DMO H PN400/55 S0322
0121510256		GASPCRC EHD 10020 20X36X12 DR DMO HID E2.3/4 S0322
0121510273		GASPCRC EHD 10020 20X38X12 DR DMO H PN400/55 S0322
0121510257		GASPCRC EHD 10020 20X38X12 DR DMO HID E2.3/4 S0322
0121510274		GASPCRC EHD 10020 20X40X12 DR DMO H PN400/55 S0322

ATTENTION: IMPORTANT

CIVEMASA reserves the right to improve and/or modify the technical features of its products, without obligation to do the same with those products already sold and without prior knowledge of the dealer or the customer. The photos are only illustrative.



PRODUCTS

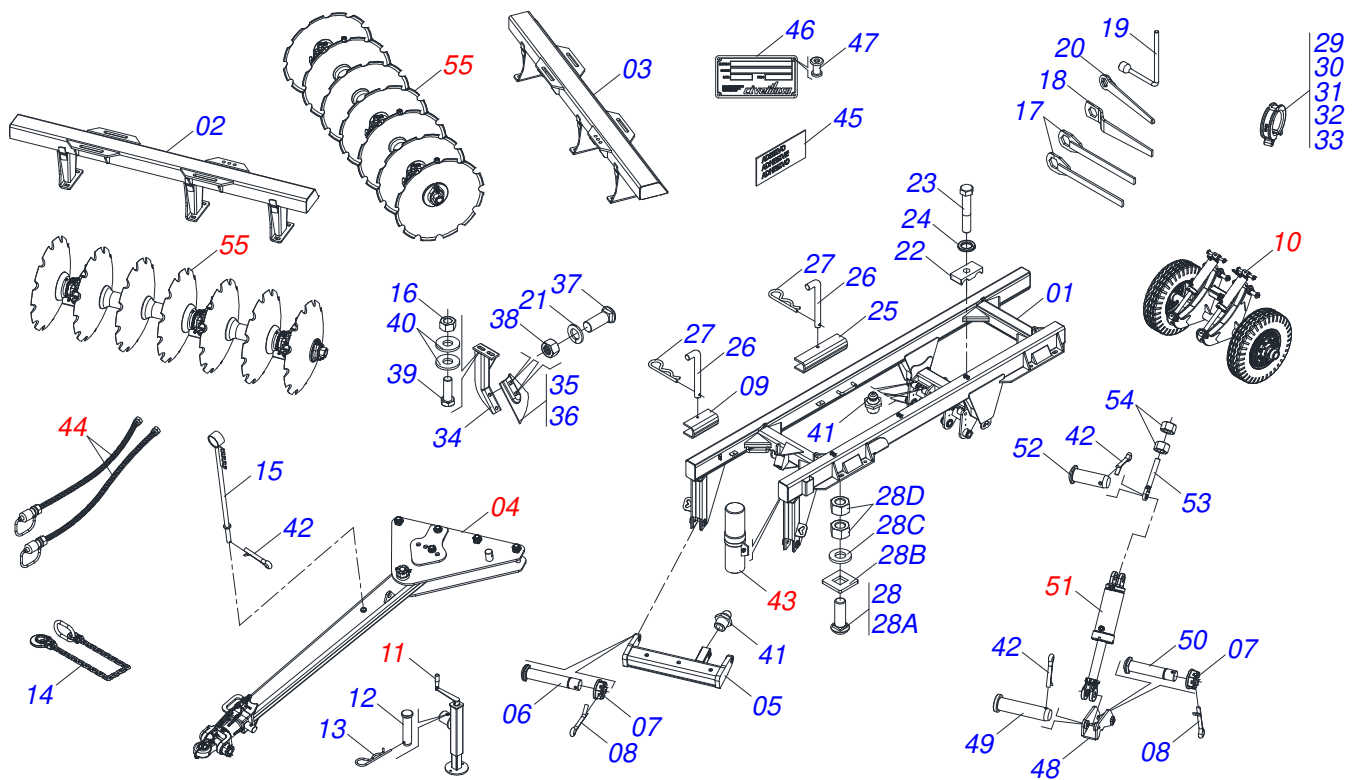
0121510259	GASPCRC EHD 10020 20X40X12 DR DMO HID E2.3/4 S0322
0121510275	GASPCRC EHD 10020 20X42X12 DR DMO H PN400/55 S0322
0121510260	GASPCRC EHD 10020 20X42X12 DR DMO HID E2.3/4 S0322
0121510276	GASPCRC EHD 10020 22X36X12 DR DMO H PN400/55 S0322
0121510252	GASPCRC EHD 10020 22X36X12 DR DMO HID E2.3/4 S0322
0121510277	GASPCRC EHD 10020 22X38X12 DR DMO H PN400/55 S0322
0121510253	GASPCRC EHD 10020 22X38X12 DR DMO HID E2.3/4 S0322
0121510278	GASPCRC EHD 10020 22X40X12 DR DMO H PN400/55 S0322
0121510254	GASPCRC EHD 10020 22X40X12 DR DMO HID E2.3/4 S0322
0121510279	GASPCRC EHD 10020 22X42X12 DR DMO H PN400/55 S0322
0121510255	GASPCRC EHD 10020 22X42X12 DR DMO HID E2.3/4 S0322
0121510284	GASPCRC EHD 10020 22X44X12 DR DMO H PN400/55 S0322
0121510280	GASPCRC EHD 10020 24X36X12 DR DMO H PN400/55 S0322
0121510247	GASPCRC EHD 10020 24X36X12 DR DMO HID E2.3/4 S0322
0121510281	GASPCRC EHD 10020 24X38X12 DR DMO H PN400/55 S0322
0121510250	GASPCRC EHD 10020 24X38X12 DR DMO HID E2.3/4 S0322
0121510282	GASPCRC EHD 10020 24X40X12 DR DMO H PN400/55 S0322
0121510246	GASPCRC EHD 10020 24X40X12 DR DMO HID E2.3/4 S0322
0121510283	GASPCRC EHD 10020 24X42X12 DR DMO H PN400/55 S0322
0121510199	GASPCRC EHD 10020 24X42X12 DR DMO HID E2.3/4 S0322
0121510286	GASPCRC EHD 10020 24X44X12 DR DMO H PN400/55 S0322

ATTENTION: IMPORTANT

CIVEMASA reserves the right to improve and/or modify the technical features of its products, without obligation to do the same with those products already sold and without prior knowledge of the dealer or the customer. The photos are only illustrative.

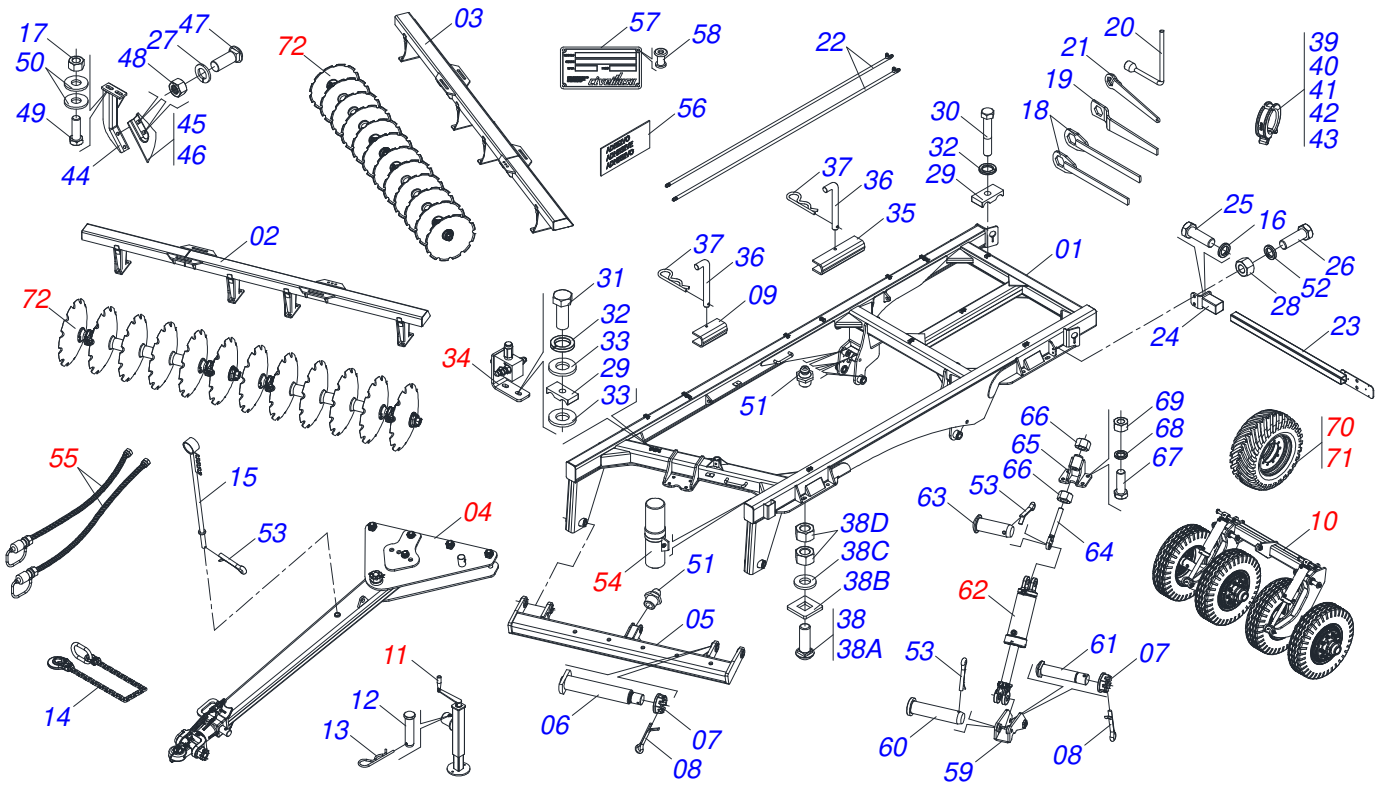
INDEX

0909096345	FRAME ASSY - 12/14D	1
0909096346	FRAME ASSY - 16/17/18/20/22/24D	2
0521041823	TRACTION BAR ASSY (PIN 3")	3
0531040171	HITCH ASSY	4
0909098615	WHEEL SYSTEM (02 TIRES)	5
0909092146	WHEEL SYSTEM (04 TIRES)	6
0503061582	TIRE WHEELS	7
0501057120	WHEEL WITHOUT TIRE	8
0503063281	RIGHT WHEEL	9
0503063282	LEFT WHEEL	10
0521051832	HYDRAULIC CYLINDER 53,98 X 114,30 X 654 X 346	11
0511048088	DRAWBAR JACK	12
0511059196	VALVE ASSY	13
0521052249	MANUAL CANISTER ASSY	14
0909094319	HYDRAULIC CIRCUIT - 12/14D	15
0909096342	HYDRAULIC CIRCUIT - 16/17/18/20/22/24D	16
0501053834	MALE QUICK COUPLER	17
0909096341	DISC GANG SECTION - 12/14/16/17/18/20/22/24D	18
0531041560	D504 X 2.3/4 AGRICULTURAL BEARING WITH SUPPORT	19
0531041559	504 X 2.3/4 OIL BATH BEARING	20



Item	Code	Description	See page	12	14
01	0521066347	CENTER FRAME		01	01
02	0521067950	FRONT FRAME - 12D		01	00
02.	0521068654	FRONT FRAME - 14D		00	01
03	0521067951	REAR FRAME - 12D		01	00
03.	0521068655	REAR FRAME - 14D		00	01
04	0511045200	ASSY TRACTION BAR WITH HITCH 3		01	01
05	0511067827	1100 OFFSET BAR		01	01
06	0541014119	37.5 X 195 COUPLING SHAFT		02	02
07	0501011301	1.1/2" UNC 6FPP 2.5/16" NUT		03	03
08	0503010010	SPLIT PIN 1/4" X 2.1/2"		03	03
09	0551010332	TRANSPORT LOCK		01	01
10		WHEEL SYSTEM (02 TIRES)	5		
11	0511048088	DRAWBAR JACK	12	01	01
12	0561014251	COUPLING SHAFT		01	01
13	0503030012	HITCH PIN CLIP		01	01
14	0503013150	1300 X 3/8" CHAIN		01	01
15	0531061120	HOSE SUPPORT		01	01
16	0503010014	3/4" ZN G.5 (HEAVY) UNC HEX NUT		26	30
17	0501061044	2-1/8" AND 2-1/2" CABLE FLAT WRENCH		02	02
18	0501011432	1-1/2" AND 1-5/8 GANG BOLT WRENCH		01	01
19	0503016137	1-1/4" WRENCH CABLE CYLINDER		01	01
20	0521062858	1.1/4" WRENCH NUT		01	01
21	0503010027	5/8 SPRING WASHER		26	30
22	0502010477	HOSE CLAMP		04	04
23	0503011135	BOLT 7/16" UNC X 1.1/2" C S G.5 ZN		04	04
24	0503010180	7/16" SPRING WASHER		04	04
25	0561016693	TRANSPORT LOCK		02	02
26	0541016844	FIXER LOCK		03	03
27	0503030285	HITCH PIN CLIP		03	03
28	0521040349	1-1/4" X 5.3/4" BOLT		08	08

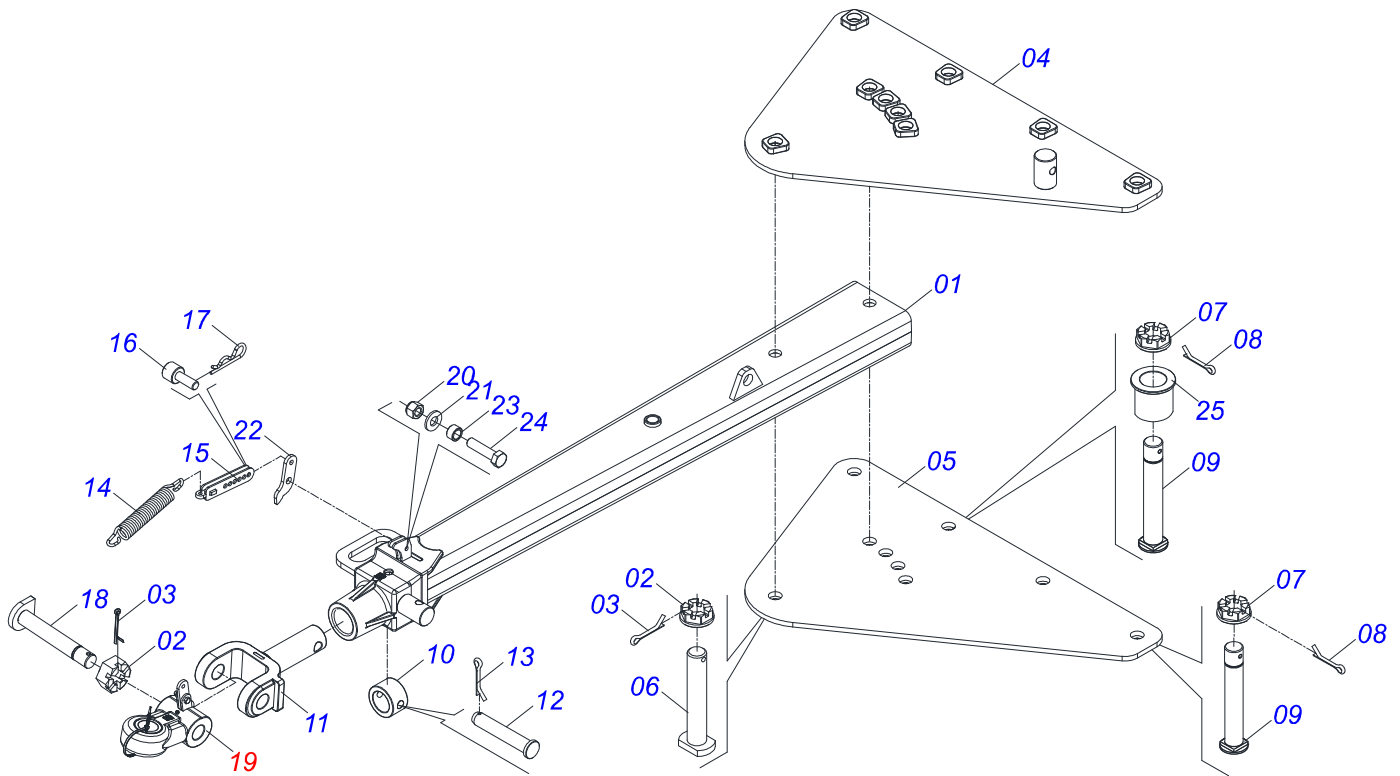
Item	Code	Description	See page	12	14
28A	0501010954	1.1/4" X 5.3/4" BOLT		01	01
28B	0571010449	LOCK BOLT		01	01
28C	0571010448	32,50 X 75 X 16 SLEEVE		01	01
28D	0501010087	1.1/4" NUT		02	02
29	0501047895	25 ROD STOP		06	06
30	0501047885	30 ROD STOP		03	03
31	0501047886	35 ROD STOP		03	03
32	0501047887	40 ROD STOP		03	03
33	0501047888	45 ROD STOP		03	03
34	0511064771	FRONT SCRAPER SUPPORT		12	14
35	0521013678	FRONT CLEANER		06	07
36	0521013679	REAR CLEANER		06	07
37	0503012195	5/8" NUT		24	28
38	0503010013	5/8 UNC G.5 ZN HEX NUT		24	28
39	0501010500	3/4" X 3" BOLT		24	28
40	0541010763	FLAT WASHER		48	56
41	0503010002	1800 GREASE FITTING		09	09
42	0503010523	1/4" X 2" SPLIT PIN		03	03
43	0521052249	MANUAL CANISTER ASSY	14	01	01
44		HYDRAULIC CIRCUIT - 12/14D	15		
45	0503033647	APPROVED DECAL		01	01
45.	0503031428	READ MANUAL DECAL		01	01
45..	0503031738	WARNING DECAL		01	01
45...	0503031739	DANGER DECAL		01	01
45....	0503031827	LUBRICATE AND RETIGHTEN DAILY DECAL		01	01
45.....	0503033038	DANGER DECAL		01	01
45.....	0503033237	CIVEMASA LOGO DECAL		01	01
45.....	0503034078	LIFTING POINTS DECAL		04	04
45.....	0503034499	HOSE IDENTIFICATION DECAL		01	01
45.....	0503034195	GASPCRC EHD 10020 DECAL		01	01
46	0503034004	ALUMINUM IDENTIFICATION DECAL		01	01
47	0503010001	RIVET 3,2 X 5,5		04	04
48	0511064656	DRAWBAR PIVOT		01	01
49	0531019171	1.25" X 7" COUPLING SHAFT		01	01
50	0521012053	1.5" X 8.6" AXLE		01	01
51	0511058419	HYDRAULIC CYLINDER 50,80 X 101,60 X 514 X 206		01	01
52	0521012538	1.2" X 3.5" COUPLING SHAFT		01	01
53	0511064433	REGULATOR SPINDLE 1-3/4		01	01
54	0501010333	1.3/4" NUT		02	02
55		DISC GANG SECTION - 12/14/16/17/18/20/22/24D	18		



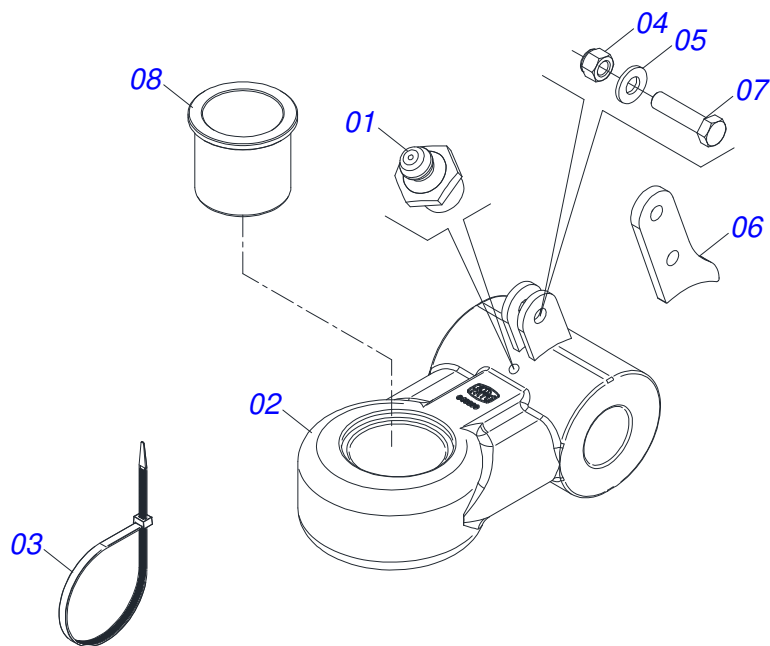
Item	Code	Description	See page	16	17	18	20	22	24
01	0521068244	FRAME		01	01	01	01	01	01
02	0521068658	FRONT FRAME - 16/17D		01	01	00	00	00	00
02.	0521063596	FRONT FRAME - 18D		00	00	01	00	00	00
02..	0521064495	FRONT FRAME - 20D		00	00	00	01	00	00
02...	0521063656	FRONT FRAME - 22D		00	00	00	00	01	00
02....	0521063933	FRONT FRAME - 24D		00	00	00	00	00	01
03	0521068659	REAR FRAME - 16D		01	00	00	00	00	00
03.	0531066740	REAR FRAME - 17D		00	01	00	00	00	00
03..	0521063597	REAR FRAME - 18D		00	00	01	00	00	00
03...	0521064496	REAR FRAME - 20D		00	00	00	01	00	00
03....	0521063655	REAR FRAME - 22D		00	00	00	00	01	00
03.....	0521063943	REAR FRAME - 24D		00	00	00	00	00	01
04	0521041823	TRACTION BAR ASSY (PIN 3")	3	01	01	01	01	01	01
05	0521068250	HITCH BAR		01	01	01	01	01	01
06	0521063989	50,8 X 380 AXLE WITH LOCK		02	02	02	02	02	02
07	0501011301	1.1/2" UNC 6FPP 2.5/16" NUT		03	03	03	03	03	03
08	0503010010	SPLIT PIN 1/4" X 2.1/2"		03	03	03	03	03	03
09	0551019515	LATCH SHIPPING		01	01	01	01	01	01
10		WHEEL SYSTEM (04 TIRES)	6						
11	0511048088	DRAWBAR JACK	12	01	01	01	01	01	01
12	0561014251	COUPLING SHAFT		01	01	01	01	01	01
13	0503030012	HITCH PIN CLIP		01	01	01	01	01	01
14	0503013150	1300 X 3/8" CHAIN		01	01	01	01	01	01
15	0531061120	HOSE SUPPORT		01	01	01	01	01	01
16	0503010023	3/4" SPRING WASHER		02	02	02	02	02	02
17	0503010014	3/4" ZN G.5 (HEAVY) UNC HEX NUT		32	34	36	40	44	48
18	0501061044	2-1/8" AND 2-1/2" CABLE FLAT WRENCH		02	02	02	02	02	02
19	0501011432	1-1/2" AND 1-5/8" GANG BOLT WRENCH		01	01	01	01	01	01
20	0503016137	1-1/4" WRENCH CABLE CYLINDER		01	01	01	01	01	01
21	0521062858	1.1/4" WRENCH NUT		01	01	01	01	01	01

Item	Code	Description	See page	16	17	18	20	22	24
22	0521066937	OIL DISTRIBUTOR DUCT		02	02	02	02	02	02
23	0521066443	SUPPORT FIXER LANTERN		02	02	02	02	02	02
24	0521066624	FIXER SUPPORT LANTERN		02	02	02	02	02	02
25	0501010098	BOLT 3/4" UNC X 2 C S G.5 ZN		02	02	02	02	02	02
26	0503011082	C1/2" X 1.3/4" SCREW		04	04	04	04	04	04
27	0503010027	5/8 SPRING WASHER		32	32	36	40	44	48
28	0503010060	1/2 UNC G.5 ZN HEX NUT		04	04	04	04	04	04
29	0502010477	HOSE CLAMP		05	05	05	05	05	05
30	0503011135	BOLT 7/16" UNC X 1.1/2" C S G.5 ZN		03	03	03	03	03	03
31	0503011173	7/16" X 2" BOLT		02	02	02	02	02	02
32	0503010180	7/16" SPRING WASHER		05	05	05	05	05	05
33	0501012803	FLAT WASHER 12 X 30 X 3,00 ZN		04	04	04	04	04	04
34	0511059196	VALVE ASSY	13	01	01	01	01	01	01
35	0561016693	TRANSPORT LOCK		02	02	02	02	02	02
36	0541016844	FIXER LOCK		03	03	03	03	03	03
37	0503030285	HITCH PIN CLIP		03	03	03	03	03	03
38	0521040349	1-1/4" X 5.3/4" BOLT		08	08	08	08	08	08
38A	0501010954	1.1/4" X 5.3/4" BOLT		01	01	01	01	01	01
38B	0571010449	LOCK BOLT		01	01	01	01	01	01
38C	0571010448	32,50 X 75 X 16 SLEEVE		01	01	01	01	01	01
38D	0501010087	1.1/4" NUT		02	02	02	02	02	02
39	0501047895	25 ROD STOP		06	06	06	06	06	06
40	0501047885	30 ROD STOP		03	03	03	03	03	03
41	0501047886	35 ROD STOP		03	03	03	03	03	03
42	0501047887	40 ROD STOP		03	03	03	03	03	03
43	0501047888	45 ROD STOP		03	03	03	03	03	03
44	0511064771	FRONT SCRAPER SUPPORT		16	16	18	20	22	24
45	0521013678	FRONT CLEANER		08	08	09	10	11	12
46	0521013679	REAR CLEANER		08	08	09	10	11	12
47	0503012195	5/8" NUT		32	32	36	40	44	48
48	0503010013	5/8 UNC G.5 ZN HEX NUT		32	32	36	40	44	48
49	0501010500	3/4" X 3" BOLT		32	32	36	40	44	48
50	0541010763	FLAT WASHER		64	64	72	80	88	96
51	0503010002	1800 GREASE FITTING		09	09	09	09	09	09
52	0503010019	1/2" SPRING WASHER		04	04	04	04	04	04
53	0503010523	1/4" X 2" SPLIT PIN		03	03	03	03	03	03
54	0521052249	MANUAL CANISTER ASSY	14	01	01	01	01	01	01
55		HYDRAULIC CIRCUIT - 16/17/18/20/22/24D	16						
56	0503033647	APPROVED DECAL		01	01	01	01	01	01
56.	0503031428	READ MANUAL DECAL		01	01	01	01	01	01
56..	0503031738	WARNING DECAL		01	01	01	01	01	01
56...	0503031739	DANGER DECAL		01	01	01	01	01	01
56....	0503031827	LUBRICATE AND RETIGHTEN DAILY DECAL		01	01	01	01	01	01
56.....	0503033038	DANGER DECAL		01	01	01	01	01	01
56.....	0503033237	CIVEMASA LOGO DECAL		01	01	01	01	01	01
56.....	0503034078	LIFTING POINTS DECAL		04	04	04	04	04	04
56.....	0503034499	HOSE IDENTIFICATION DECAL		01	01	01	01	01	01
56.....	0503034195	GASPCRC EHD 10020 DECAL		01	01	01	01	01	01
57	0503034004	ALUMINUM IDENTIFICATION DECAL		01	01	01	01	01	01
58	0503010001	RIVET 3,2 X 5,5		04	04	04	04	04	04
59	0511064656	DRAWBAR PIVOT		01	01	01	01	01	01
60	0531019171	1.25" X 7" COUPLING SHAFT		01	01	01	01	01	01
61	0521012053	1.5" X 8.6" AXLE		01	01	01	01	01	01
62	0511058521	2" X 4" X 20" X 6" HYDRAULIC CYLINDER		01	01	01	01	01	01
63	0521012538	1.2" X 3.5" COUPLING SHAFT		01	01	01	01	01	01
64	0511064433	REGULATOR SPINDLE 1-3/4		01	01	01	01	01	01
65	0521066580	CYLINDER FIXER		01	01	01	01	01	01

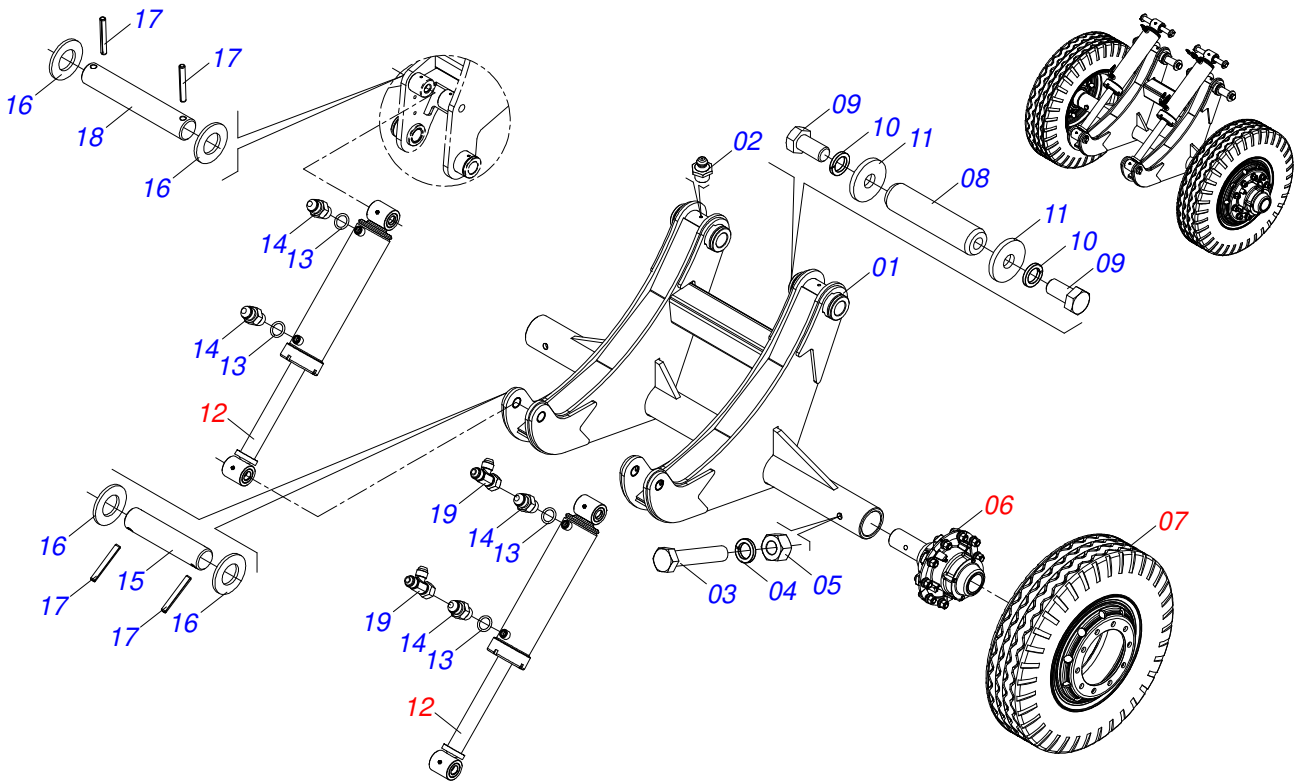
Item	Code	Description	See page	16	17	18	20	22	24
66	0501010333	1.3/4" NUT		02	02	02	02	02	02
67	0501010276	BOLT		04	04	04	04	04	04
68	0503010012	1" SPRING WASHER		04	04	04	04	04	04
69	0501010059	1.5/8 NUT		04	04	04	04	04	04
70	0503063281	RIGHT WHEEL	9	02	02	02	02	02	02
71	0503063282	LEFT WHEEL	10	02	02	02	02	02	02
72		DISC GANG SECTION - 12/14/16/17/18/20/22/24D	18						



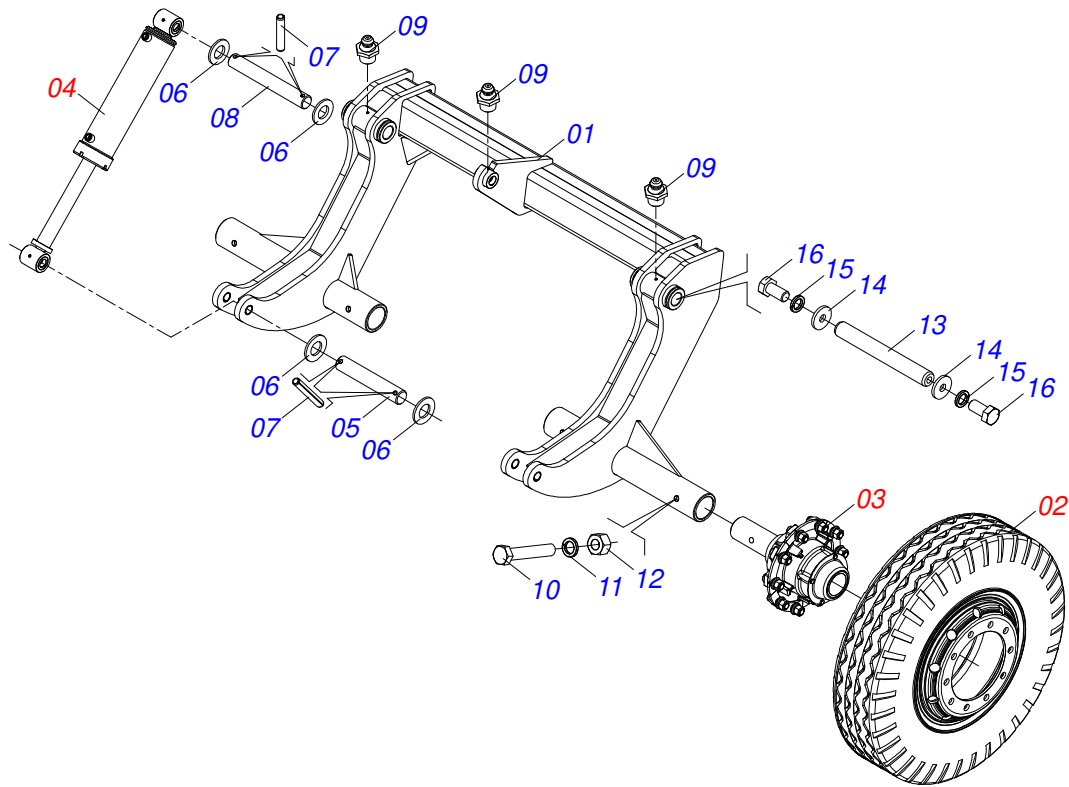
Item	Code	Description	See page	QT
01	0521068249	TRACTION BAR (AXLE 2)		01
02	0502040558	2" CASTLE NUT		02
03	0503010074	3/8" X 4" SPLIT PIN		02
04	0521068246	UPPER PLATE (AXLE 2)		01
05	0521068247	LOWER PLATE (AXLE 2)		01
06	0521068248	JUNCTION AXLE WITH LOCK		01
07	0501811301	CASTLE NUT		05
08	0503010010	SPLIT PIN 1/4" X 2.1/2"		05
09	0521811880	37,50 X 230 X PQ R.1./2 JUNCTION AXLE		05
10	0502040263	HITCH LOCK RING		01
11	1902040897	TRACTOR HITCH		01
12	0561017306	COUPLING SHAFT		01
13	0503010523	1/4" X 2" SPLIT PIN		01
14	0503031741	1.8" X 11.4" 0.3" TRACTION SPRING		01
15	0531061607	SPRING REGULATOR		01
16	0591014558	SPRING REGULATOR FIXER AXLE		01
17	0503030285	HITCH PIN CLIP		01
18	0531061122	AXIS ARTICULATOR		01
19	0531040171	HITCH ASSY	4	01
20	0503010589	UNC SELF ADJUSTING NUT 1/2" UNC ALTA G.5 ZN		01
21	0501010937	13,50 X 28 X 3,00 FLAT WASHER		01
22	0591014554	REAR SUPPORT FIXING SPRING		01
23	0591014552	SLEEVE		01
24	0503010740	BOLT 1/2 UNC X 2 CS G.5 ZN		01
25	0591013086	SLEEVE 52,8 X 78 X 76 (PIN 2")		01



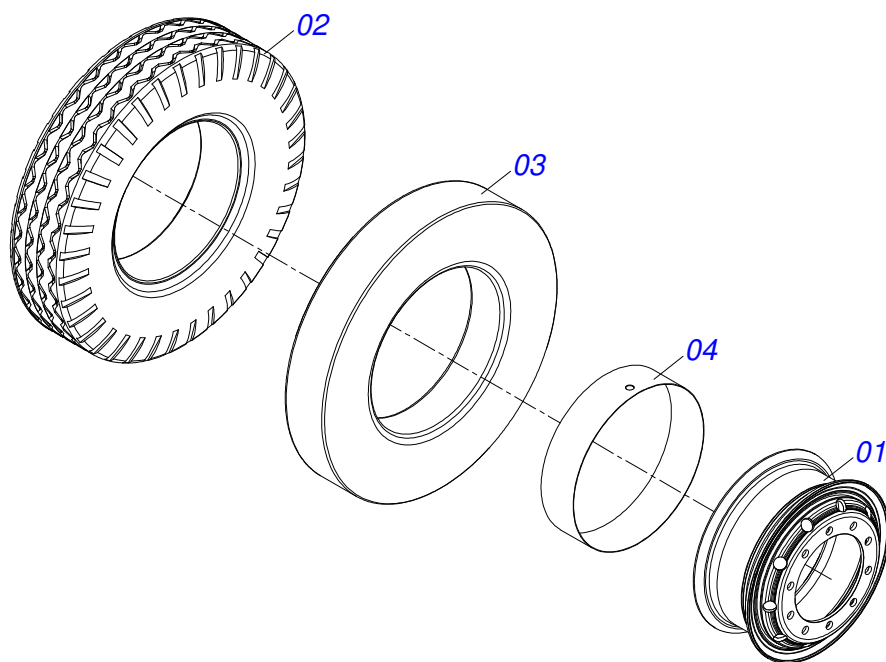
Item	Code	Description	See page	QT
01	0503010002	1800 GREASE FITTING		01
02	0531061121	HITCH		01
03	0503018829	NYLON CLAMP 7,8 X 1,8 X 390 MM		01
04	0503010589	UNC SELF ADJUSTING NUT 1/2" UNC ALTA G.5 ZN		01
05	0501010937	13,50 X 28 X 3,00 FLAT WASHER		01
06	0591014555	FRONT SUPPORT FIXING SPRING		01
07	0503010740	BOLT 1/2 UNC X 2 CS G.5 ZN		01
08	0591013448	SLEEVE 65,50 X 78 X 76 (PIN 2.1/2")		01



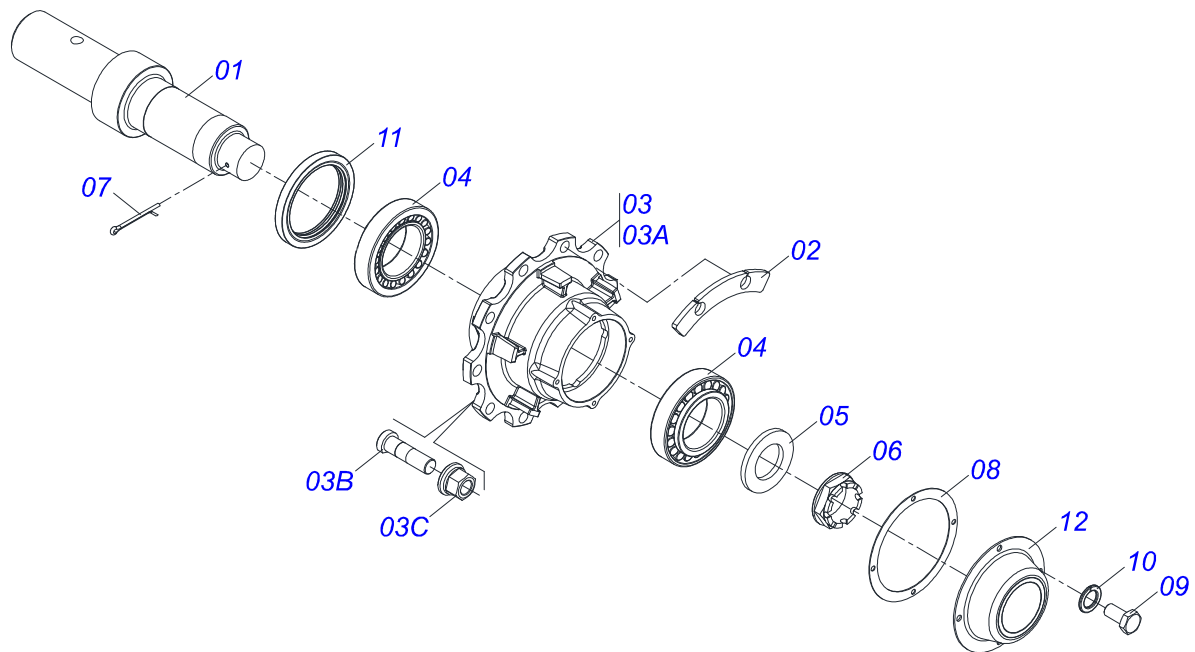
Item	Code	Description	See page	QT
01	0521068368	CARRYING-WHEELS SUPPORT		01
02	0503010002	1800 GREASE FITTING		02
03	0503011198	BOLT 3/4" UNC X 6" CS G.5		02
04	0503010023	3/4" SPRING WASHER		02
05	0503010014	3/4" ZN G.5 (HEAVY) UNC HEX NUT		02
06	0501057120	WHEEL WITHOUT TIRE	8	02
07	0503061582	TIRE WHEELS	7	02
08	0531018062	COUPLING SHAFT		02
09	0503011250	1" X 2" BOLT		04
10	0503010012	1" SPRING WASHER		04
11	0521011565	FLAT WASHER		04
12	0521051832	HYDRAULIC CYLINDER 53,98 X 114,30 X 654 X 346	11	02
13	0503010190	2-114 N 3006-9B O'RING		04
14	0501010617	NIPLE 3/4" NF X 3/4" NF HEX. 7/8" X 44		04
15	0531018101	1.2" X 6.3" PIVOT SHAFT		02
16	0501017779	FLAT WASHER 32 X 60 X 4,75		08
17	0503011877	0.3" X 2.4" SPRING PIN		08
18	0531018105	1.2" X 11.8" PIVOT SHAFT		02
19	0503011968	NUT 3/4" 8R6X-S T ADAPTER WITH SWIVEL		02



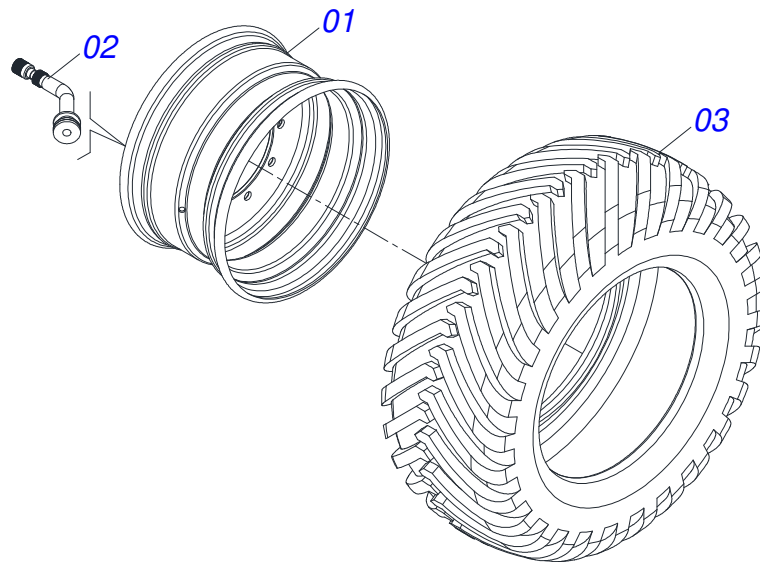
Item	Code	Description	See page	QT
01	0521066478	CARRYNG-WHEELS		01
02	0503061582	TIRE WHEELS	7	04
03	0501057120	WHEEL WITHOUT TIRE	8	04
04	0521051832	HYDRAULIC CYLINDER 53,98 X 114,30 X 654 X 346	11	02
05	0531018101	1.2" X 6.3" PIVOT SHAFT		02
06	0501017779	FLAT WASHER 32 X 60 X 4,75		08
07	0503011877	0.3" X 2.4" SPRING PIN		08
08	0531018105	1.2" X 11.8" PIVOT SHAFT		02
09	0503010002	1800 GREASE FITTING		03
10	0503011198	BOLT 3/4" UNC X 6" CS G.5		04
11	0503010023	3/4" SPRING WASHER		04
12	0503010014	3/4" ZN G.5 (HEAVY) UNC HEX NUT		04
13	0531018062	COUPLING SHAFT		02
14	0521011565	FLAT WASHER		04
15	0503010012	1" SPRING WASHER		04
16	0503011250	1" X 2" BOLT		04



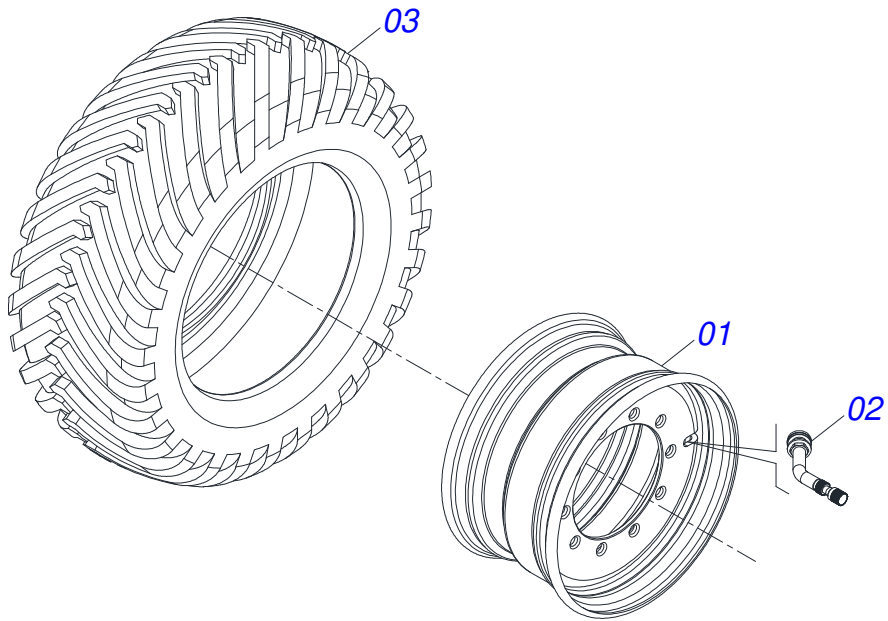
Item	Code	Description	See page	QT
01	0503014184	7.00 X 20" WHEEL		01
02	0503010494	9.0LX 20" X 14 PLY, TIRE		01
03	0503010057	INNER TIRE		01
04	0503010470	PROTECTION		01



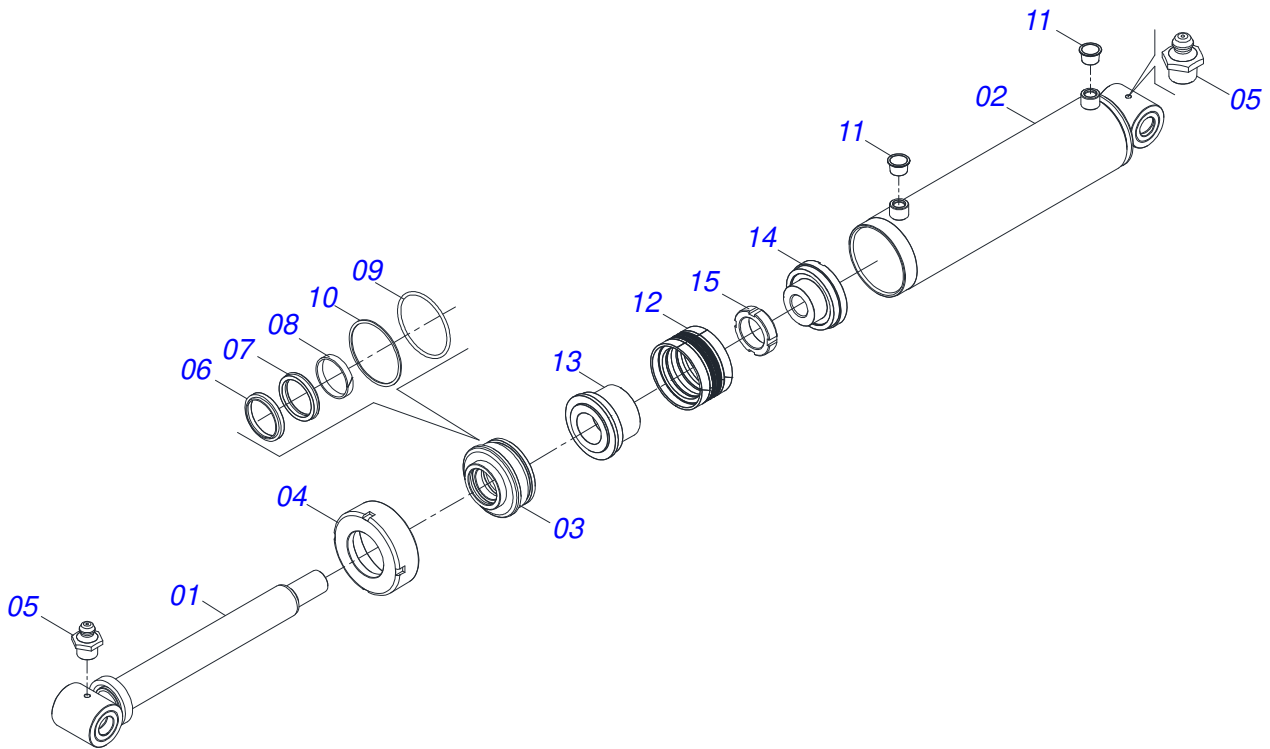
Item	Code	Description	See page	QT
01	0551011426	POINT AXIS R2.1/2UN		01
02	0561015521	FLANGE WHEEL HUB		05
03	0501110761	BOX WHEEL WITH BOLT 25-45FT		01
03A	0502012462	WHEEL HUB		01
03B	0503014050	BOLT M22 X 1,5 X 77/87 188RT		10
03C	0503014048	HEX NUT M22X1,5" CH32X33,5		10
04	0503010118	32218 BEARING		02
05	0531019986	64 X 110 X 9.5 FLAT WASHER		01
06	0502040080	FLANGE NUT R.2.1/2" UN		01
07	0503012213	1/4" X 4" SPLIT PIN		01
08	0503013548	JOINT CORK CR4F		01
09	0503013546	BOLT SX MA5,8 M10X1,5X20ZA DI		04
10	0503013542	M10 SPRING WASHER		04
11	0503013541	REAR RETAINER 0310-BG AR22 1G25356		01
12	0503013549	HUB COVER		01



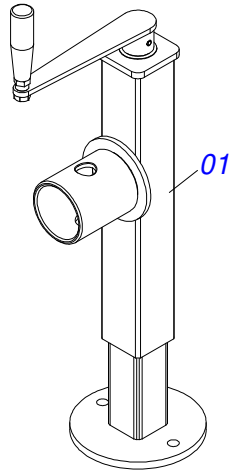
Item	Code	Description	See page	QT
01	0503033536	RING		01
02	0503016098	VALVE		01
03	0503019969	TIRE 400/55-22,5 152A 8/149B		01



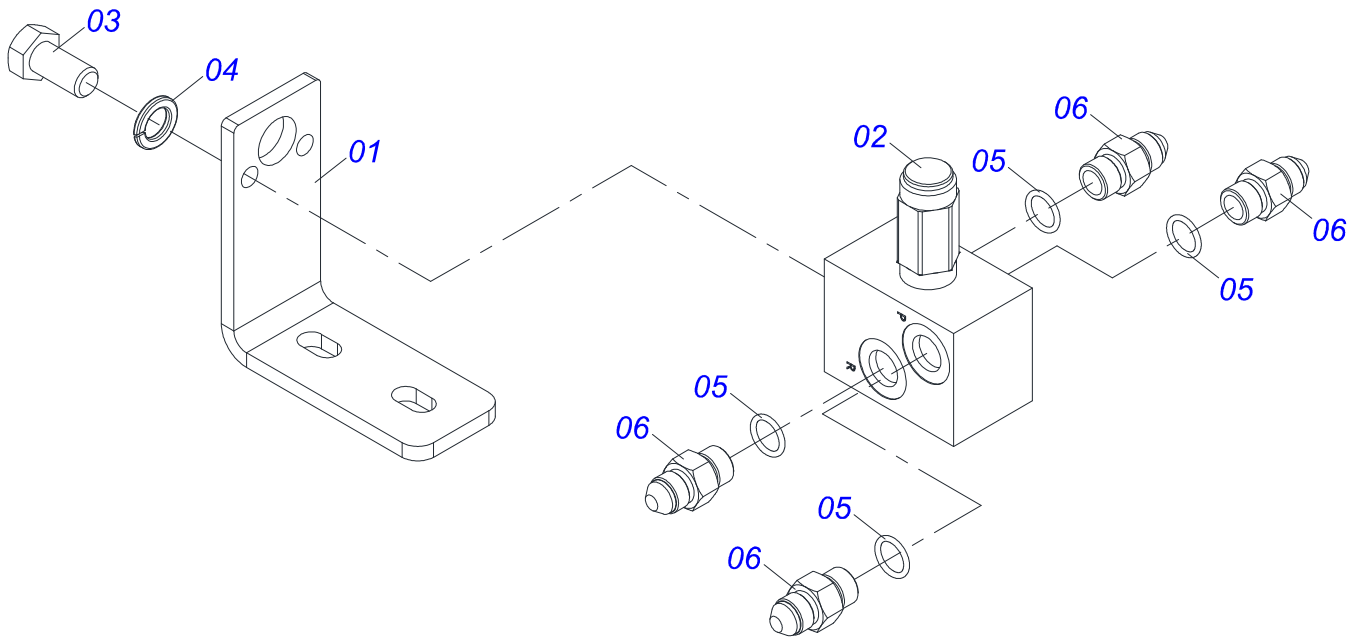
Item	Code	Description	See page	QT
01	0503033536	RING		01
02	0503016098	VALVE		01
03	0503019969	TIRE 400/55-22,5 152A 8/149B		01



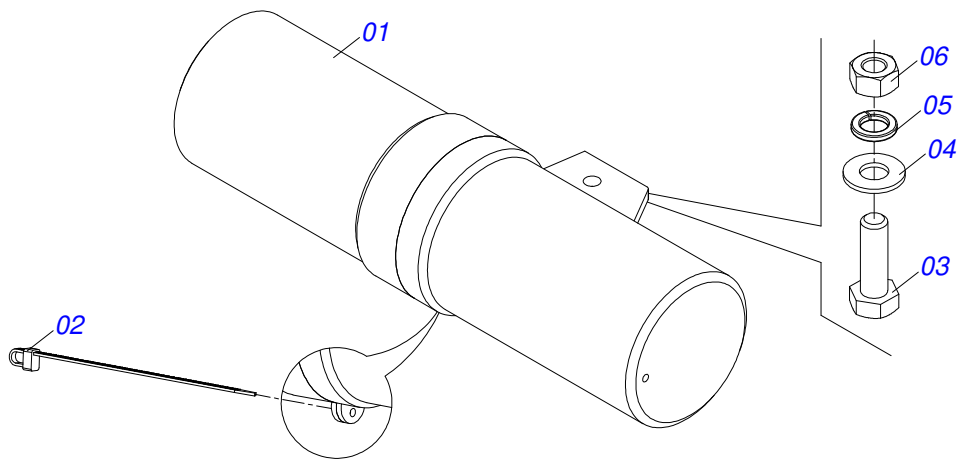
Item	Code	Description	See page	QT
01	0521061684	56,98 X 590,50 TURNBUCKLE		01
02	0521061685	114,30 X 500 CYLINDER CASE		01
03	0502012644	RING SUPPORT		01
04	0502011222	END CAP 4 . 1/2"		01
05	0503010002	1800 GREASE FITTING		02
06	0503015715	SCRAPER SEALING		01
07	0503015642	U-CUP SEALING RUUB000970		01
08	0503015641	WEAR RING		00
09	0503011892	O' RING, 2-346 N 3006-9B		01
10	0503011893	BACK-UP RING, 8-346		01
11	0503030384	CON PLUG N-001		02
12	0503015640	SEALING SELEMASTER		01
13	0561016578	PISTON BODY		01
14	0581015283	BODY		01
15	0503819100	SCREW		01
16	0511034304	HYDRAULIC CYLINDER REPAIR KIT (0521051832)		01



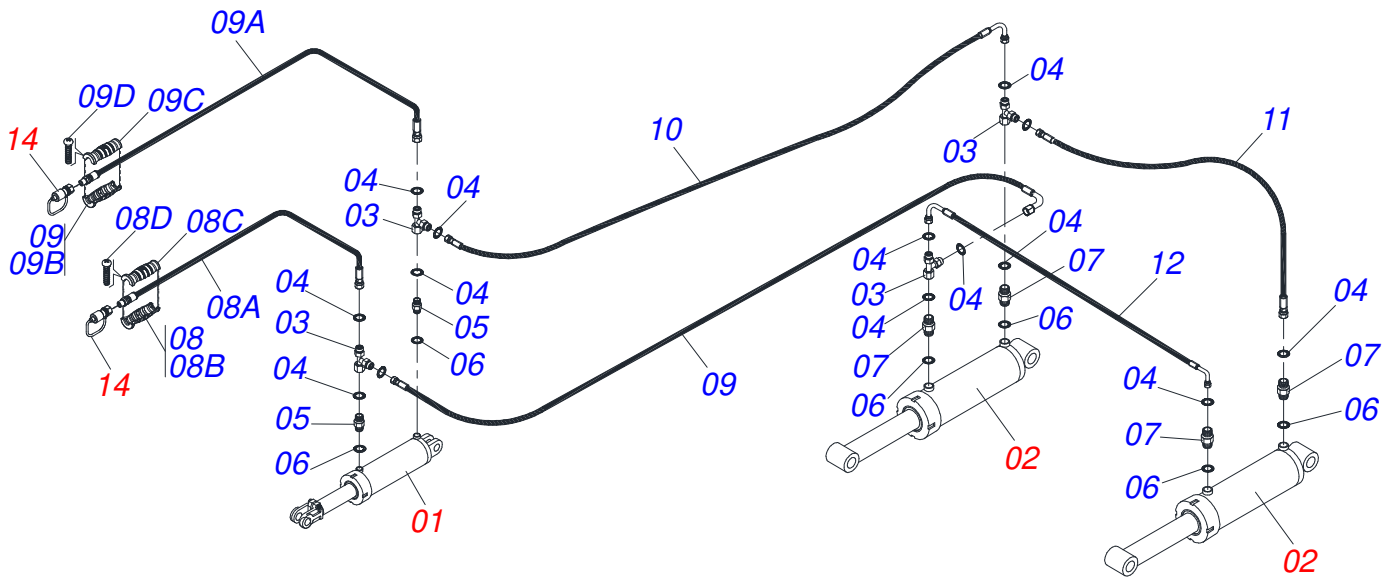
Item	Code	Description	See page	QT
01	0503062227	DRAWBAR JACK		01



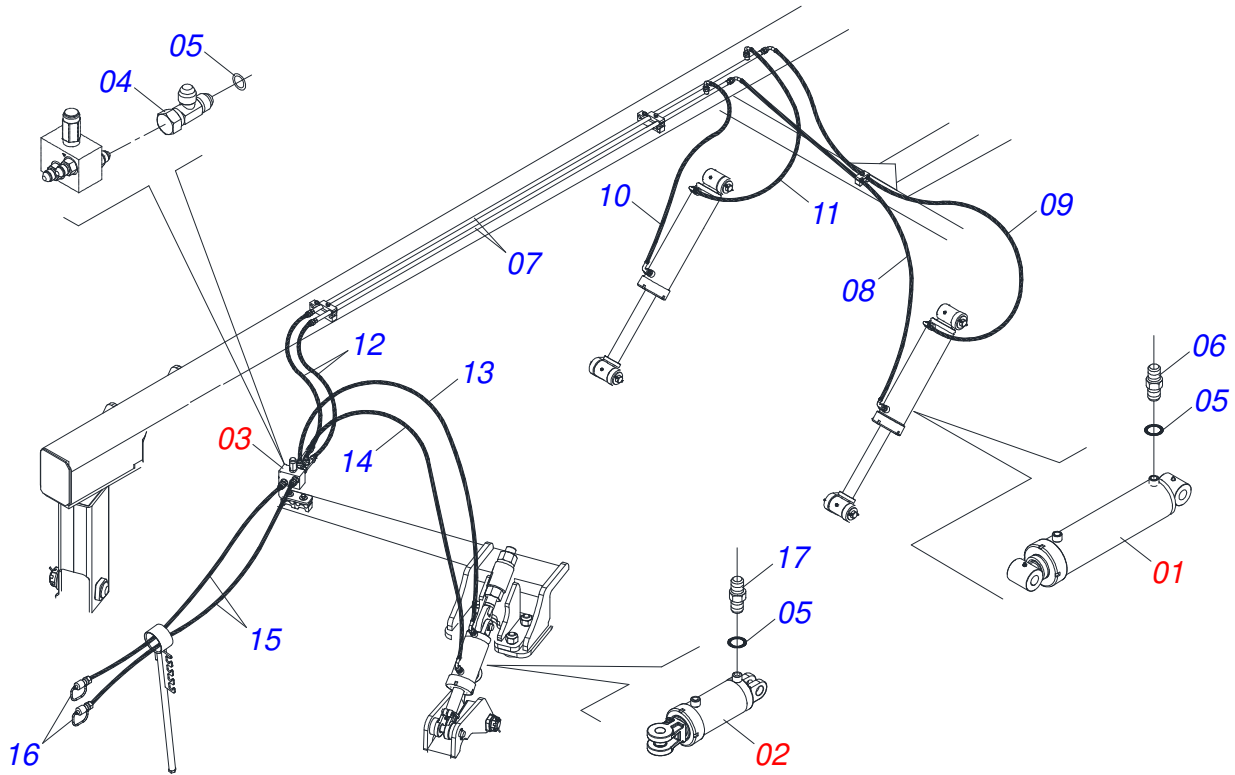
Item	Code	Description	See page	QT
01	0581011745	VALVE SUPPORT		01
02	0503010919	DISCHARGE VALVE		01
03	0503011334	BOLT 3/8" UNC X 3/4" CS G.5 ZN		02
04	0503010025	3/8 SPRING WASHER		02
05	0503010190	2-114 N 3006-9B O'RING		04
06	0501010617	NIPLE 3/4" NF X 3/4" NF HEX. 7/8" X 44		04



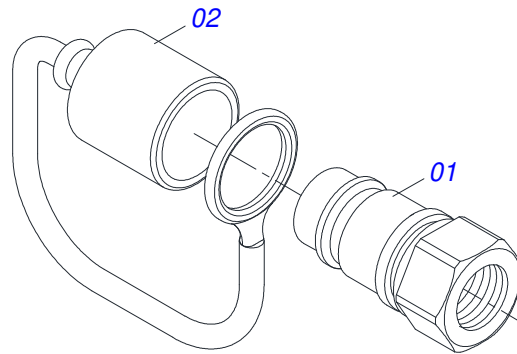
Item	Code	Description	See page	QT
01	0503060100	SUPPORT INSTRUCTION MANUAL		01
02	0503010267	NYLON CLAMP 3,60 X 1,3 X 155 MM		01
03	0503010363	BOLT 5/16 UNC X 1 C S G.2 ZN		01
04	0501010694	FLAT WASHER 32,50 X 75 X 4,75		01
05	0503010179	LOCK WASHER 5/16 ZN 1K01528		01
06	0503010337	NUT 5/16 UNC G.5 ZN		01



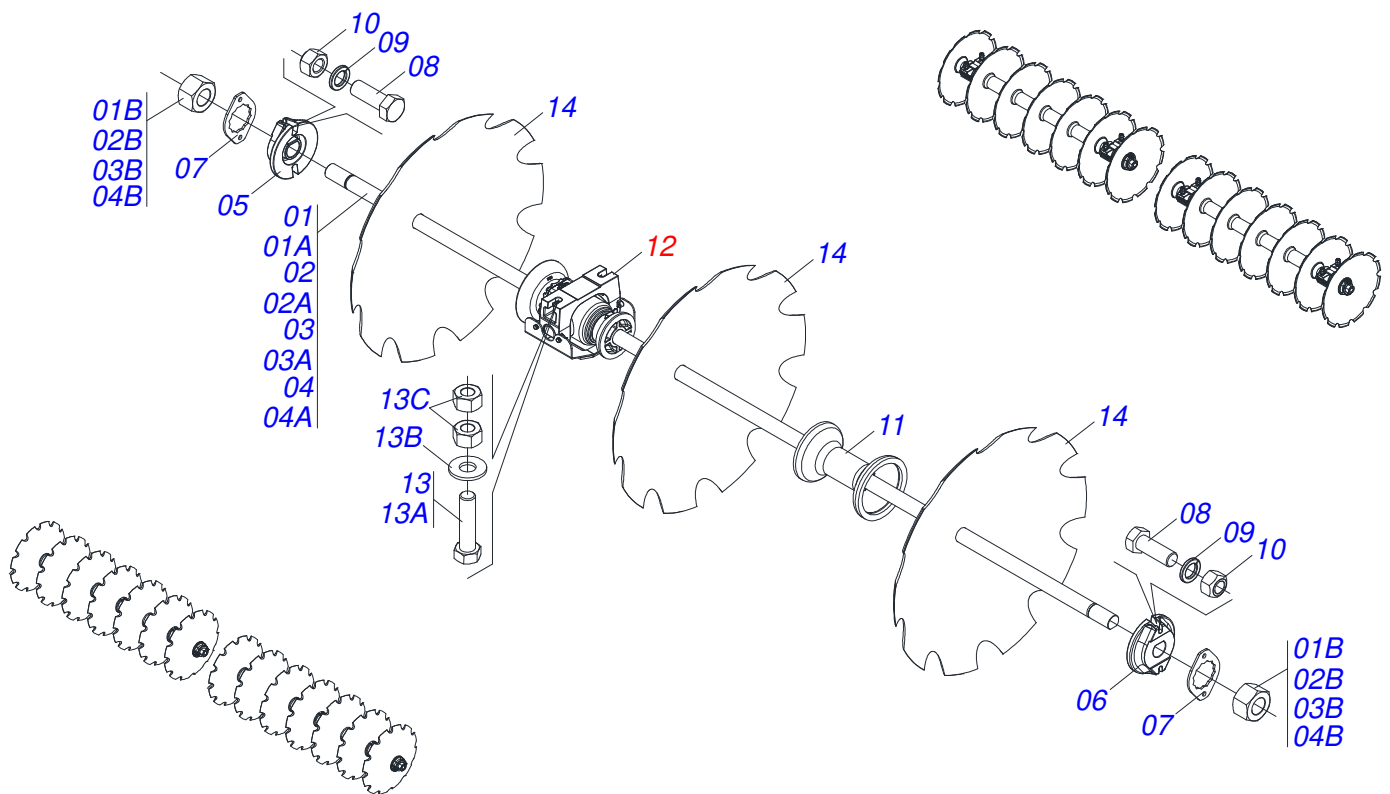
Item	Code	Description	See page	QT
01	0511058419	HYDRAULIC CYLINDER 50,80 X 101,60 X 514 X 206		01
02	0521051832	HYDRAULIC CYLINDER 53,98 X 114,30 X 654 X 346	11	02
03	0503011968	NUT 3/4" 8R6X-S T ADAPTER WITH SWIVEL		04
04	0503011030	2-014 N 3006-9B O'RING		12
05	0561014252	3/4" UNF X 1" NIPPLE WITH REDUCTION		02
06	0503010190	2-114 N 3006-9B O'RING		06
07	0501010617	NIPPLE 3/4" NF X 3/4" NF HEX. 7/8" X 44		04
08	0521052496	3/8" X 216" TR-TM BLACK/BLUE HOSE		01
08A	0501080205	3/8" X 216" TR-TM HOSE		01
08B	0503034492	HYDRAULIC HOSE GRIP (BLACK)		01
08C	0503034494	HYDRAULIC HOSE GRIP (BLUE)		01
08D	0503018952	PH 2,5 X 10 ZB PLASTIC BOLT		06
09	0521052495	3/8" X 216" TR-TM BLACK/RED HOSE		01
09A	0501080205	3/8" X 216" TR-TM HOSE		01
09B	0503034492	HYDRAULIC HOSE GRIP (BLACK)		01
09C	0503034495	HYDRAULIC HOSE GRIP (RED)		01
09D	0503018952	PH 2,5 X 10 ZB PLASTIC BOLT		06
10	0501080724	3/8" X 185" TR-TC HOSE		01
11	0501080605	3/8" X 160" TR-TC HOSE		01
12	0501082182	3/8" X 52" TR-TR HOSE		01
13	0501080514	3/8" X 67" TC-TC HOSE		01
14	0501053834	MALE QUICK COUPLER	17	02



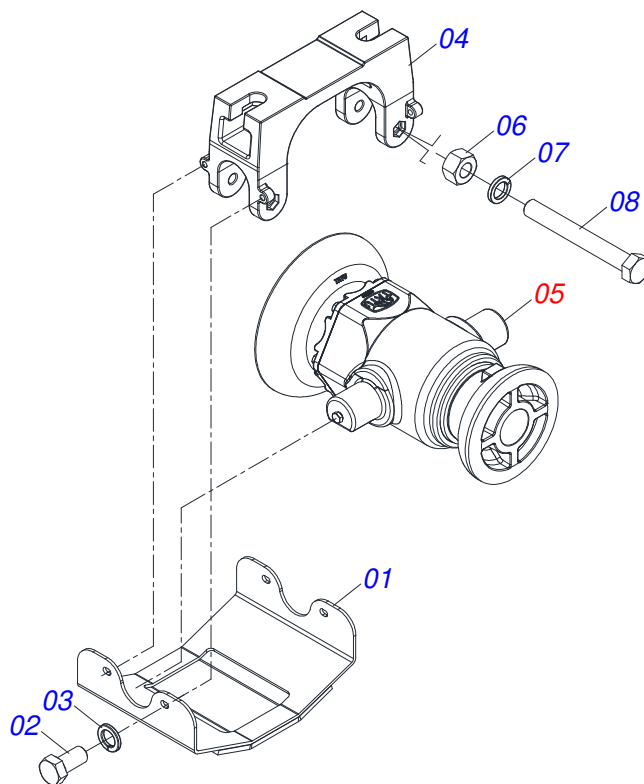
Item	Code	Description	See page	QT
01	0521051832	HYDRAULIC CYLINDER 53,98 X 114,30 X 654 X 346	11	02
02	0511058521	2" X 4" X 20" X 6" HYDRAULIC CYLINDER		01
03	0511059196	VALVE ASSY	13	01
04	0503011968	NUT 3/4" 8R6X-S T ADAPTER WITH SWIVEL		02
05	0503010190	2-114 N 3006-9B O'RING		08
06	0501010617	NIPPLE 3/4" NF X 3/4" NF HEX. 7/8" X 44		04
07	0521066937	OIL DISTRIBUTOR DUCT		02
08	0501080432	3/8" X 102" TC-TC HOSE		01
09	0501080393	3/8" X 86" TC-TC HOSE		01
10	0501080065	3/8" X 47" TC-TC HOSE		01
11	0501080931	3/8" X 39" TC-TC HOSE		01
12	0501080055	3/8" X 39" TR-TC HOSE		02
13	0501080302	3/8" X 55" TR-TC HOSE		01
14	0501080436	3/8" X 62" TR-TC HOSE		01
15	0501080205	3/8" X 216" TR-TM HOSE		02
16	0501053834	MALE QUICK COUPLER	17	02
17	0561014252	3/4" UNF X 1" NIPPLE WITH REDUCTION		02



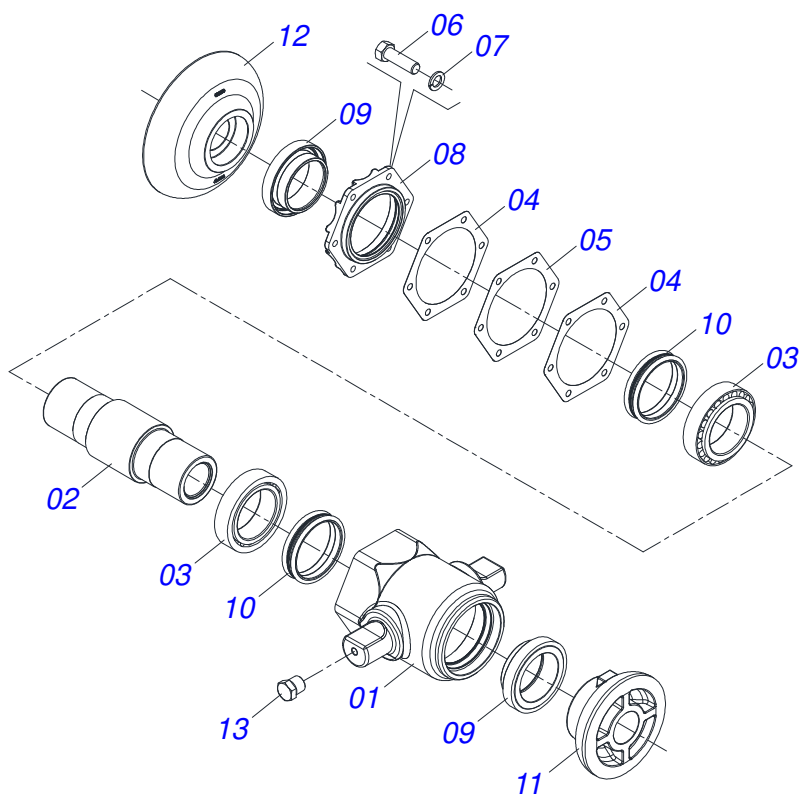
Item	Code	Description	See page	QT
01	0503011627	MALE QUICK COUPLER AGR 1/2 NPT		01
02	0503011882	MALE QUICK COUPLER CAP		01



Item	Code	Description	See page	12	14	16	17	18	20	22	24
01	0511047976	2.3/4 X 1810 AXLE WITH NUTS		00	00	04	03	02	00	00	00
01A	0501212475	2.3/4 X 1810 AXLE		00	00	01	01	01	00	00	00
01B	0501212474	2.3/4 X 70 NUT		00	00	02	02	02	00	00	00
02	0511047977	2.3/4 X 2315 AXLE WITH NUTS		00	00	00	01	02	04	02	00
02A	0501212476	2.3/4 X 2315 AXLE		00	00	00	01	01	01	01	00
02B	0501212474	2.3/4 X 70 NUT		00	00	00	02	02	02	02	00
03	0511047978	2.3/4 X 2815 AXLE WITH NUTS		02	00	00	00	00	00	02	04
03A	0501212634	2.3/4 X 2815 AXLE		01	00	00	00	00	00	01	01
03B	0501212474	2.3/4 X 70 NUT		02	00	00	00	00	00	02	02
04	0511048261	2.3/4 X 3320 AXLE WITH NUTS		00	02	00	00	00	00	00	00
04A	0501212705	2.3/4 X 3320 AXLE		00	01	00	00	00	00	00	00
04B	0501212474	2.3/4 X 70 NUT		00	02	00	00	00	00	00	00
05	0502012985	2.3/4 AXLE EXTERNAL LOCK		02	03	04	04	04	04	04	04
06	0502012986	2.3/4 AXLE INTERNAL LOCK		02	03	04	04	04	04	04	04
07	0541010368	NUT LOCK		04	04	08	08	08	08	08	08
08	0503010232	5/8" X 1.3/4" BOLT		08	08	16	16	16	16	16	16
09	0501012140	FLAT WASHER 16,50 X 40 X 4,00 ZN		08	08	16	16	16	16	16	16
10	0503012412	5/8" UNC SELF LOCKING NUT		08	08	16	16	16	16	16	16
11	0591016732	495 X 2.1/2 - 2.3/4 SPACER		06	06	04	05	06	08	10	12
12	0531041560	DMO 504 X 2.3/4 AGRICULTURAL BEARING WITH SUPPORT	19	04	06	08	08	08	08	08	08
13	0531040741	ASSY 1.1/4 UNC X 5 BOLT		08	12	16	16	16	16	16	16
13A	0503011347	1.1/4" X 5" BOLT		01	01	01	01	01	01	01	01
13B	0571010448	32,50 X 75 X 16 SLEEVE		01	01	01	01	01	01	01	01
13C	0501010087	1.1/4" NUT		02	02	02	02	02	02	02	02
14	0602048111	36" NOTCHED DISC		12	14	16	17	18	20	22	24
14.	0602050017	38" NOTCHED DISC		12	14	16	17	18	20	22	24
14..	0602051019	40" NOTCHED DISC		12	14	16	17	18	20	22	24
14...	0602052031	42" NOTCHED DISC		12	14	16	17	18	20	22	24
14....	0602053008	44" NOTCHED DISC		12	14	16	17	18	20	22	24



Item	Code	Description	See page	QT
01	0531062887	PROTECTION CAP		01
02	0503010834	1/2 X 1 BOLT		04
03	0503010019	1/2" SPRING WASHER		04
04	0502013003	2.3/4 BEARING SUPPORT		01
05	0531041559	504 X 2.3/4 OIL BATH BEARING	20	01
06	0503010014	3/4" ZN G.5 (HEAVY) UNC HEX NUT		02
07	0503010023	3/4" SPRING WASHER		02
08	0503011198	BOLT 3/4" UNC X 6" CS G.5		02



Item	Code	Description	See page	QT
01	0502013004	2.1/2 - 2.3/4 HOUSING BEARING		01
02	0502040906	2.1/2 - 2.3/4 BEARING AXLE		01
03	0503019996	33022 ROLLER BEARING		02
04	0503035373	170,50 X 0,40 JOINT		02
05	0503035372	170,50 X 0,20 JOINT		01
06	0503010920	1/2 UNC X 1.1/2 C S G.5 ZN BOLT		06
07	0503011440	SPRING WASHER		06
08	0502012982	HOUSING CAP		01
09	0502012984	SEAL RETAINER		02
10	0503035371	RETAINER		02
11	0502012980	BEARING INNER FLANGE		01
12	0502012983	BEARING OUTER FLANGE		01
13	0503010856	OIL PLUG R 3/8 BSPT		02



civemasa

Technical Publications | Elaboration and Revision
LEONARDO JOSÉ DA SILVA SOUZA

www.civemasa.com.br

