

DISK HARROWS

**GASPCRC EHD 10020 - HYDRAULICS - AXIS
2.3/4" - 26/28/30D**

Code: 0501093333
Series: S-0322
Revision: 00
Revision Date: MAIO/2022

**PARTS
CATALOGUE**

CIVEMASA




PRODUCTS

Code	Description
0121510204	GASPCRC EHD 10020 26X38X12 DR DMO HID E2.3/4 S0322
0121510205	GASPCRC EHD 10020 26X40X12 DR DMO HID E2.3/4 S0322
0121510206	GASPCRC EHD 10020 26X42X12 DR DMO HID E2.3/4 S0322
0121510207	GASPCRC EHD 10020 26X44X12 DR DMO HID E2.3/4 S0322
0121510208	GASPCRC EHD 10020 28X38X12 DR DMO HID E2.3/4 S0322
0121510209	GASPCRC EHD 10020 28X40X12 DR DMO HID E2.3/4 S0322
0121510210	GASPCRC EHD 10020 28X42X12 DR DMO HID E2.3/4 S0322
0121510211	GASPCRC EHD 10020 28X44X12 DR DMO HID E2.3/4 S0322
0121510212	GASPCRC EHD 10020 30X38X12 DR DMO HID E2.3/4 S0322
0121510213	GASPCRC EHD 10020 30X40X12 DR DMO HID E2.3/4 S0322
0121510214	GASPCRC EHD 10020 30X42X12 DR DMO HID E2.3/4 S0322
0121510215	GASPCRC EHD 10020 30X44X12 DR DMO HID E2.3/4 S0322

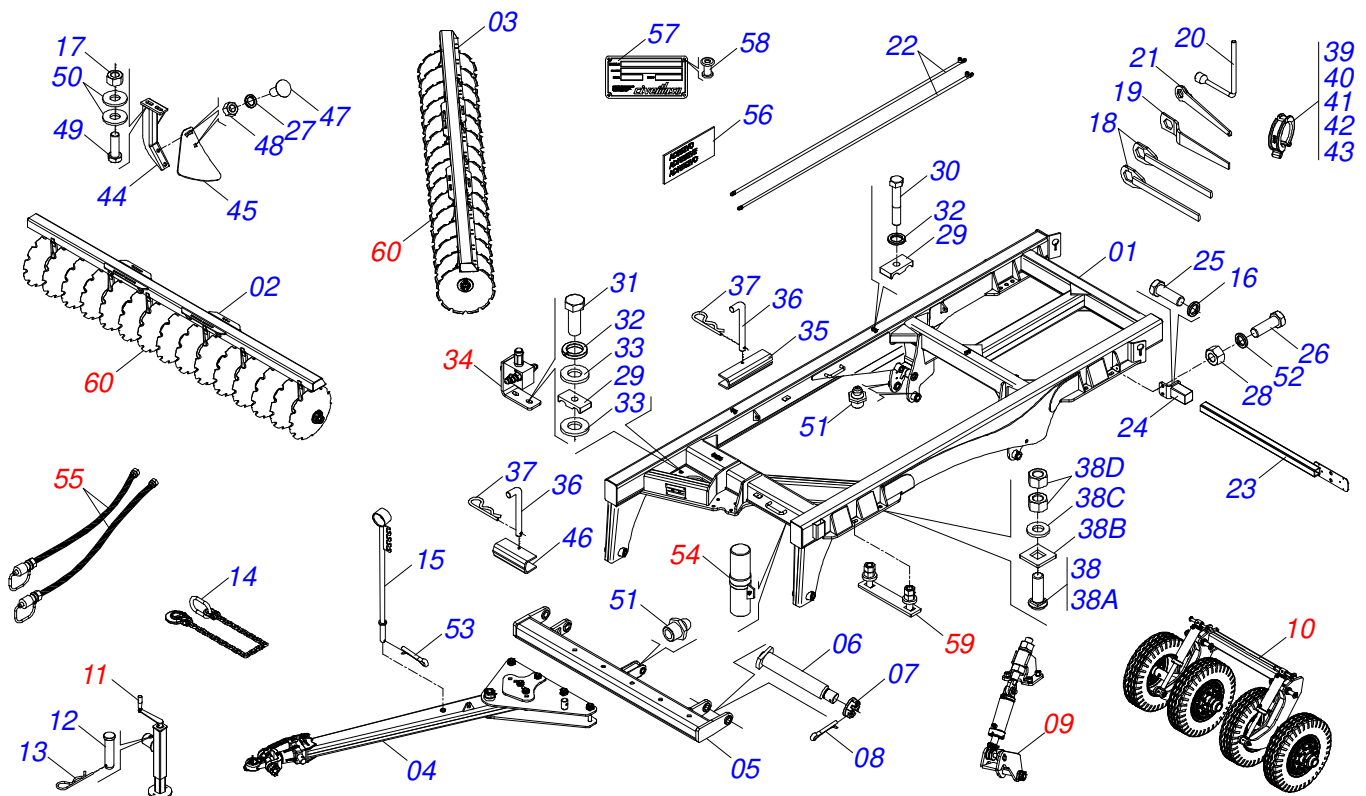
ATTENTION: IMPORTANT

CIVEMASA reserves the right to improve and/or modify the technical features of its products, without obligation to do the same with those products already sold and without prior knowledge of the dealer or the consumer. The photos are only illustrative.



INDEX

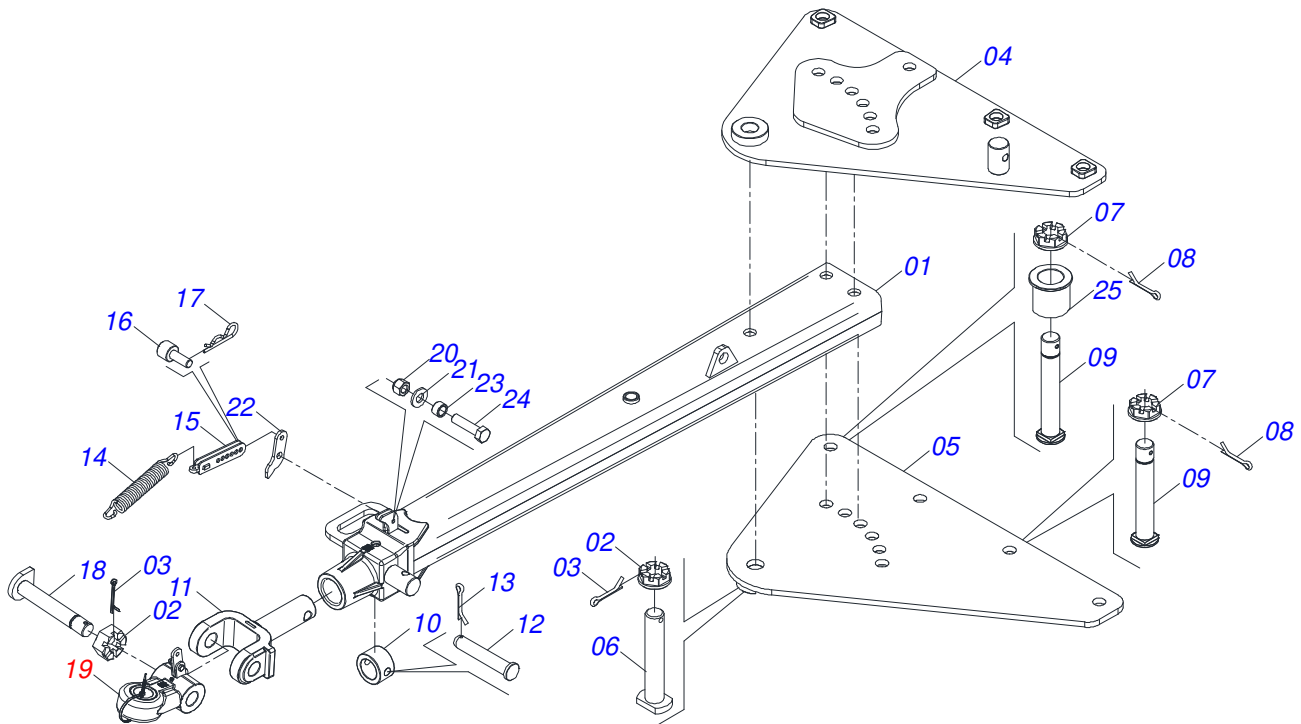
0909096348	ASSY FRAME - 26/28/30D	1
0531040728	DRAWBAR ASSY	2
0531040171	ASSY HITCH	3
0909096330	HEADER ARTICULATOR ASSY	4
0511058521	50,80 X 101,60 X 527 X 165 HYDRAULIC CYLINDER	5
0909096331	ASSY WHEEL SYSTEM	6
0503063320	RIGHT WHEEL	7
0503061892	WHEEL AND TIRE ASSY	8
0511048088	DRAWBAR JACK	9
0511059196	VALVE ASSY	10
0521052249	MANUAL CANISTER ASSY	11
0909096332	CIRCUIT HYDRAULIQUE	12
0501053834	MALE QUICK COUPLER	13
0521058003	HIDRAULIC CYLINDER	13
0531040021	FIXING ASSEMBLY	14
0909096349	DISC GANG SECTION	15
0531041560	504 X 2.3/4 OIL BATH BEARING WITH SUPPORT	16
0531041559	504 X 2.3/4 OIL BATH BEARING	17



Item	Code	Description	See page	26	28	30
01	0531061831	FRAME		01	01	01
02	0531061569	FRONT FRAME - 26D		01	00	00
02.	0531061726	FRONT FRAME - 28D		00	01	00
02..	0531061827	FRONT FRAME - 30D		00	00	01
03	0531061591	REAR FRAME - 26D		01	00	00
03..	0531061825	REAR FRAME - 28D		00	01	00
03..	0531061829	REAR FRAME - 30D		00	00	01
04	0531040728	DRAWBAR ASSY	2	01	01	01
05	0521068250	HITCH BAR		01	01	01
06	0521063989	50,8 X 380 AXLE WITH LOCK		02	02	02
07	0501011301	1.1/2 UNC 6FPP 2.5/16 NUT		02	02	02
08	0503010010	1/4" X 2.1/2" COTTERPIN		02	02	02
09	0909096330	HEADER ARTICULATOR ASSY	4	01	01	01
10	0909096331	ASSY WHEEL SYSTEM	6	01	01	01
11	0511048088	DRAWBAR JACK	9	01	01	01
12	0561014251	COUPLING SHAFT		01	01	01
13	0503030012	HITCH PIN CLIP		01	01	01
14	0503019848	SAFETY CHAIN		01	01	01
15	0531061120	HOSE SUPPORT		01	01	01
16	0503010023	3/4" SPRING WASHER		02	02	02
17	0503010014	3/4" NUT		56	60	64
18	0501061044	2-1/8" AND 2-1/2" CABLE FLAT WRENCH		02	02	02
19	0501011432	1-1/2" AND 1-5/8 GANG BOLT WRENCH		01	01	01
20	0503016137	1-1/4" WRENCH CABLE CYLINDER		01	01	01
21	0521062858	1.1/4" WRENCH NUT		01	01	01
22	0521066937	DUCT DISTRIBUTOR OF OIL		02	02	02
23	0521066443	SUPPORT FIXER LANTERN		02	02	02
24	0521066624	FIXER SUPPORT LANTERN		02	02	02
25	0501010098	3/4" UNC BOLT		02	02	02
26	0503011082	C1/2" X 1.3/4" SCREW		04	04	04
27	0503010027	5/8" SPRING WASHER		52	56	60

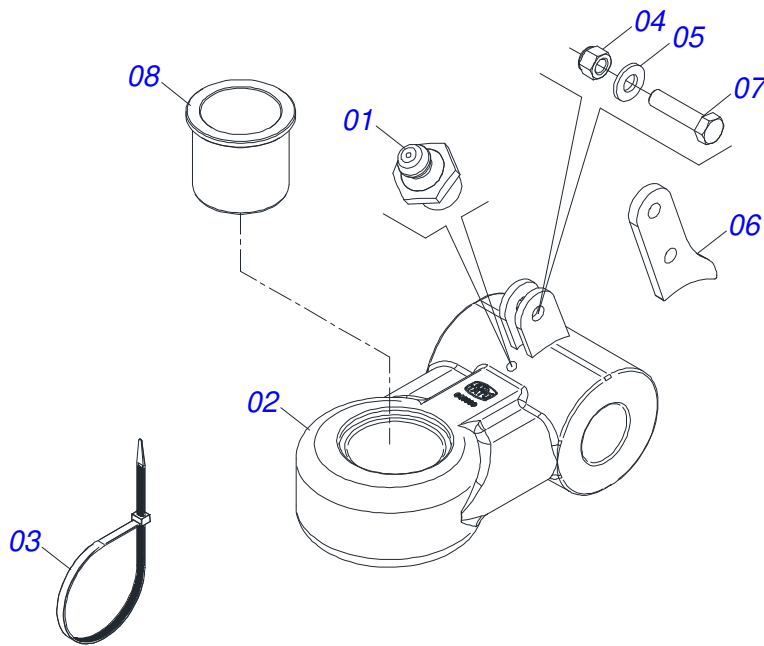
Item	Code	Description	See page	26	28	30
28	0503010060	1/2" NUT		04	04	04
29	0502010477	HOSE CLAMP		05	05	05
30	0503011135	BOLT		03	03	03
31	0503011173	7/16" X 2" BOLT		02	02	02
32	0503010180	7/16" SPRING WASHER		05	05	05
33	0501012803	FLAT WASHER		04	04	04
34	0511059196	VALVE ASSY	10	01	01	01
35	0561016693	TRANSPORT LOCK		02	02	02
36	0541016844	FIXER LOCK		02	02	02
37	0503030285	HITCH PIN CLIP		02	02	02
38	0521040349	1-1/4" X 5.3/4" BOLT		08	08	08
38A	0501010954	1-1/4" X 5-3/4" BOLT		08	08	08
38B	0571010449	LOCK BOLT		08	08	08
38C	0571010448	32,50 X 75 X 16 SLEEVE		08	08	08
38D	0501010087	1.1/4" NUT		16	16	16
39	0501047895	ROD STOP		04	04	04
40	0501047885	ROD STOP		02	02	02
41	0501047886	ROD STOP		02	02	02
42	0501047887	ROD STOP		02	02	02
43	0501047888	ROD STOP		02	02	02
44	0511064771	FRONT SCRAPER SUPPORT		26	28	30
45	0591016679	SCRAPER SHOVEL		26	28	30
46	0551019515	LATCH SHIPPING		01	01	01
47	0503012407	5/8" X 1-1/2" BOLT		52	56	60
48	0503010013	5/8" NUT		52	56	60
49	0501010500	3/4"X3"BOLT		52	56	60
50	0541010763	FLAT WASHER		104	112	120
51	0503010002	1800 GREASE FITTING		09	09	09
52	0503010019	1/2" SPRING WASHER		04	04	04
53	0503010523	1/4" X 2" COTTERPIN		01	01	01
54	0521052249	MANUAL CANISTER ASSY	11	01	01	01
55	0909096332	CIRCUIT HYDRAULIQUE	12	01	01	01
56	0503033647	APPROVED BADGE		01	01	01
56.	0503031428	READ MANUAL DECAL		01	01	01
56..	0503031738	ADHESIVE LABEL		01	01	01
56...	0503031739	ADHESIVE LABEL		01	01	01
56....	0503031827	LUBRICATE AND RETIGHTEN DAILY DECAL		01	01	01
56.....	0503033038	DANGER SIGN		01	01	01
56.....	0503033237	ADHESIVE LABEL		01	01	01
56.....	0503034078	LIFTING POINTS DECAL		04	04	04
56.....	0503034499	HOSE IDENTIFICATION DECAL		01	01	01
56.....	0503034195	ADHESIVE LABEL		01	01	01
57	0503034004	ALUMINUM IDENTIFICATION LABEL		01	01	01
58	0503010001	3.2 X 5.5 RIVET		04	04	04
59	0531040021	FIXING ASSEMBLY	14	03	03	03
60	0909096349	DISC GANG SECTION	15	26	28	30

DRAWBAR ASSY

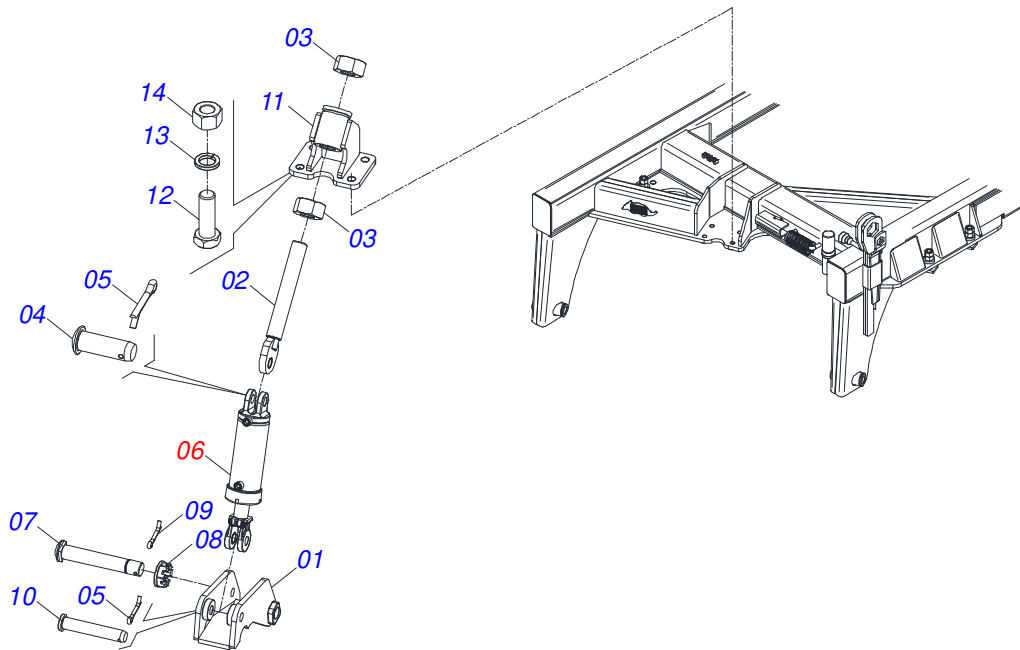


Item	Code	Description	See page	QT
01	0531061837	DRAWBAR ASSY		01
02	0502040558	2" CASTLE NUT		02
03	0503010074	3/8 X 0,15" COTTERPIN		02
04	0531061833	PLATE UPPER		01
05	0531061836	LOWER PLATE		01
06	0521068248	SHAFT JUNCTION WITH LOCK (50,80 X 273)		01
07	0501011301	1.1/2 UNC 6FPP 2.5/16 NUT		06
08	0503010010	1/4" X 2.1/2" COTTERPIN		06
09	0521011880	37,5 X 242 COUPLING SHAFT		06
10	0502040263	ANEL TRAVA ENGATE		01
11	1902040897	TRACTOR HITCH		01
12	0561017306	COUPLING SHAFT		01
13	0503010523	1/4" X 2" COTTERPIN		01
14	0503031741	1.8" X 11.4" 0.3" TRACTION SPRING		01
15	0531061607	SPRING REGULATOR		01
16	0591014558	SPRING REGULATOR FIXER AXLE		01
17	0503030285	HITCH PIN CLIP		01
18	0531061122	AXIS ARTICULATOR		01
19	0531040171	ASSY HITCH	3	01
20	0503010589	1/2" UNC SELF ADJUSTING NUT		01
21	0501010937	13.5 X 28 X 3 FLAT WASHER		01
22	0591014554	REAR EAR FIXING SPRING		01
23	0591014552	SLEEVE		01
24	0503010740	BOLT 1/2 UNC X 2 CS G.5 ZN		01
25	0591013086	SLEEVE		01

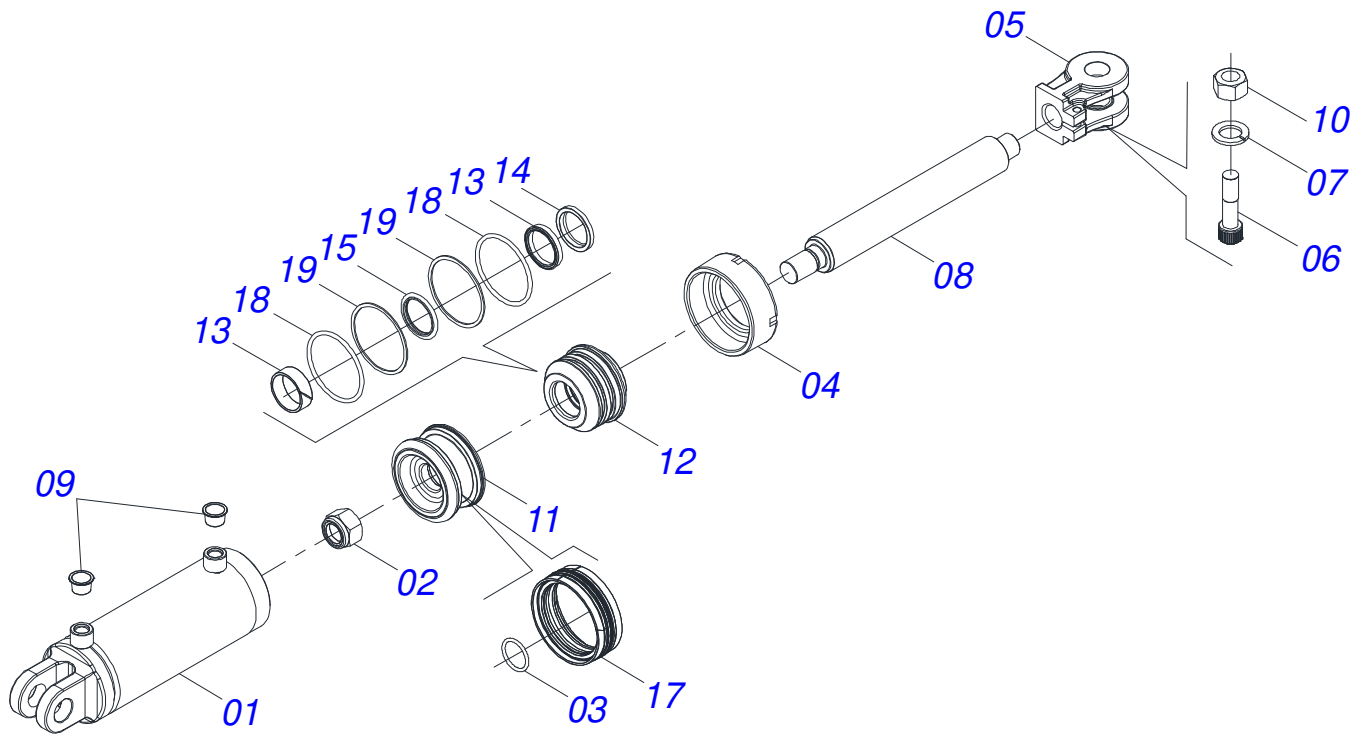
ASSY HITCH



Item	Code	Description	See page	QT
01	0503010002	1800 GREASE FITTING		01
02	0531061121	HITCH		01
03	0503018829	NYLON CLAMP		01
04	0503010589	1/2" UNC SELF ADJUSTING NUT		01
05	0501010937	13.5 X 28 X 3 FLAT WASHER		01
06	0591014555	FRONT EAR FIXING SPRING		01
07	0503010740	BOLT 1/2 UNC X 2 CS G.5 ZN		01
08	0591013448	SLEEVE		01

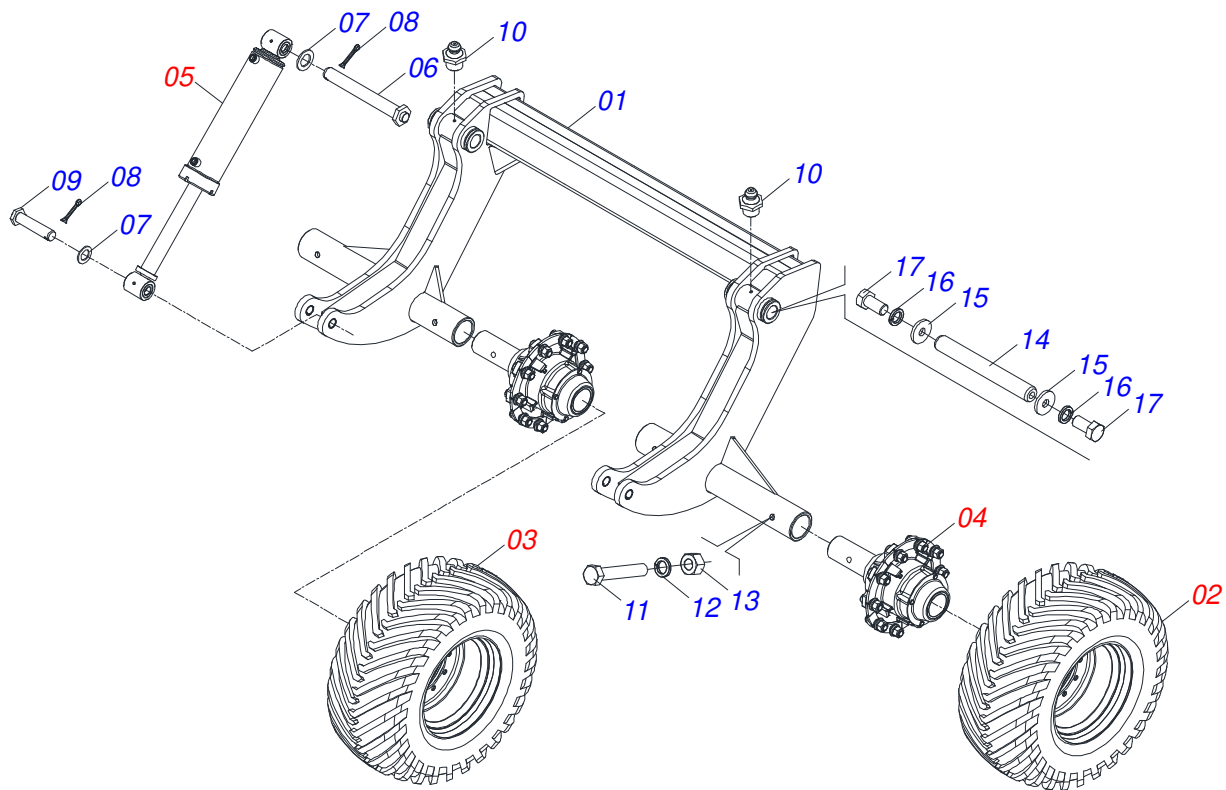


Item	Code	Description	See page	QT
01	0511064656	DRAWBAR PIVOT		01
02	0531061835	REGULATOR SPINDLE		01
03	0591016676	NUT R.2.1/8 UNS 7FPP X 53 ZN		02
04	0521012538	1.2" X 3.5" COUPLING SHAFT		01
05	0503010523	1/4" X 2" COTTERPIN		02
06	0511058521	50,80 X 101,60 X 527 X 165 HYDRAULIC CYLINDER	5	01
07	0521012053	1.5" X 8.6" AXLE		01
08	0501011301	1.1/2 UNC 6FPP 2.5/16 NUT		01
09	0503010010	1/4" X 2.1/2" COTTERPIN		01
10	0531019171	1.25" X 7" COUPLING SHAFT		01
11	0531061834	CYLINDER FIXER		01
12	0501010276	BOLT		04
13	0503010012	1" SPRING WASHER		04
14	0501010059	1.5/8 NUT		04

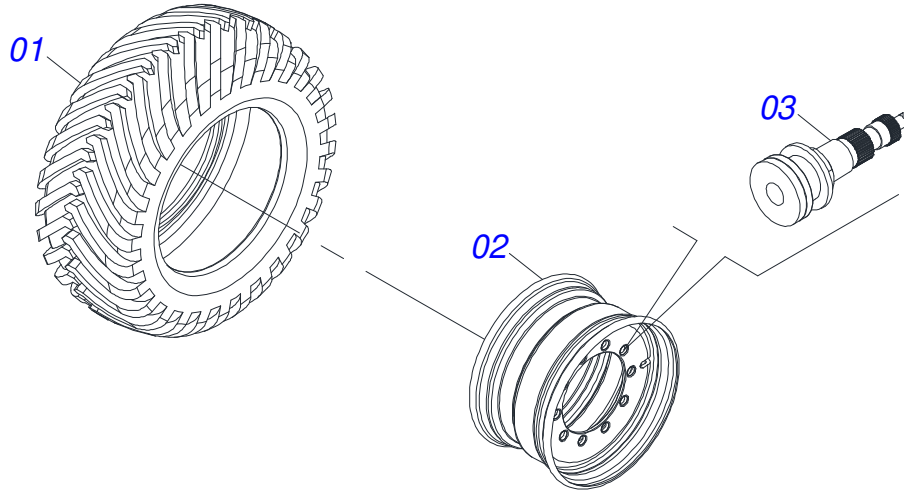


Item	Code	Description	See page	QT
01	0521066698	CYLINDER CASE ASSY		01
02	0503010817	1.1/4" SELF LOCKING NUT		01
03	0503018029	2-217 O'RING		01
04	0502012822	101.60 END CAP		01
05	0502040747	32.54 CLEVIS CLAMP		01
06	0503011094	3/8" X 2" BOLT		01
07	0503011443	3/8" SPRING WASHER		01
08	0581011007	HYDRAULIC CYLINDER TURNBUCKLE		01
09	0503030384	CON PLUG N-001		02
10	0503010026	3/8" NUT		01
11	0502012820	50.80 X 101.60 PISTON		01
12	0502012821	50.80 X 101.60 RING SUPPORT		01
13	0503018025	RING GUIDE		01
14	0503010039	D-2000 SCRAPER RING		01
15	0503018026	1870-2000-375 B GASKET		01
16	0503018024	RING BS		01
17	0503015633	SELEMASTER SEALING		01
18	0503010338	2-342 N 3006-9B O'RING		02
19	0503011061	8-342 BACK-UP RING		02
20	0511032211R	HYDRAULIC CYLINDER REPAIR KIT		01

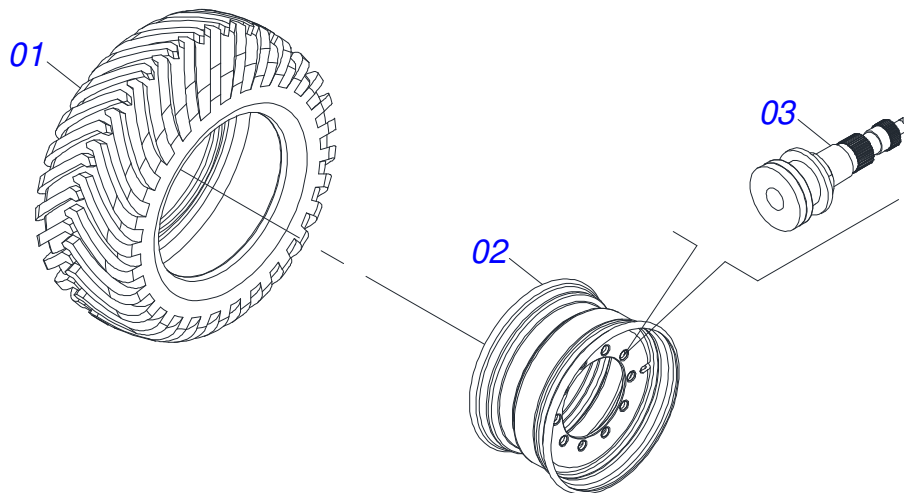
ASSY WHEEL SYSTEM



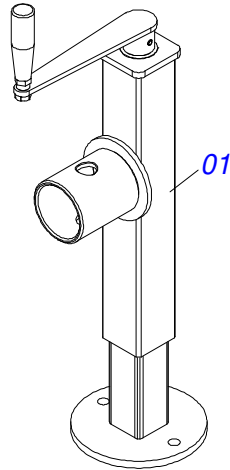
Item	Code	Description	See page	QT
01	0531061832	RODEIRO		01
02	0503063320	RIGHT WHEEL	7	02
03	0503061892	WHEEL AND TIRE ASSY	8	02
04	0531051144	WHEEL WITHOUT TIRE		04
05	0521058003	HIDRAULIC CYLINDER	13	02
06	0531060842	CYLINDER AXLE		02
07	0501012916	FLAT WASHER 38,50 X 66 X 4,75 ZN		08
08	0503010534	3/8 X 2-1/2 COTTERPIN		08
09	0531060841	CYLINDER AXLE		02
10	0503010002	1800 GREASE FITTING		03
11	0503011198	C3/4" X 6" SCREW		04
12	0503010023	3/4" SPRING WASHER		04
13	0503010014	3/4" NUT		04
14	0531018062	COUPLING SHAFT		02
15	0521011565	FLAT WASHER		04
16	0503010012	1" SPRING WASHER		04
17	0503011250	1" X 2" BOLT		04



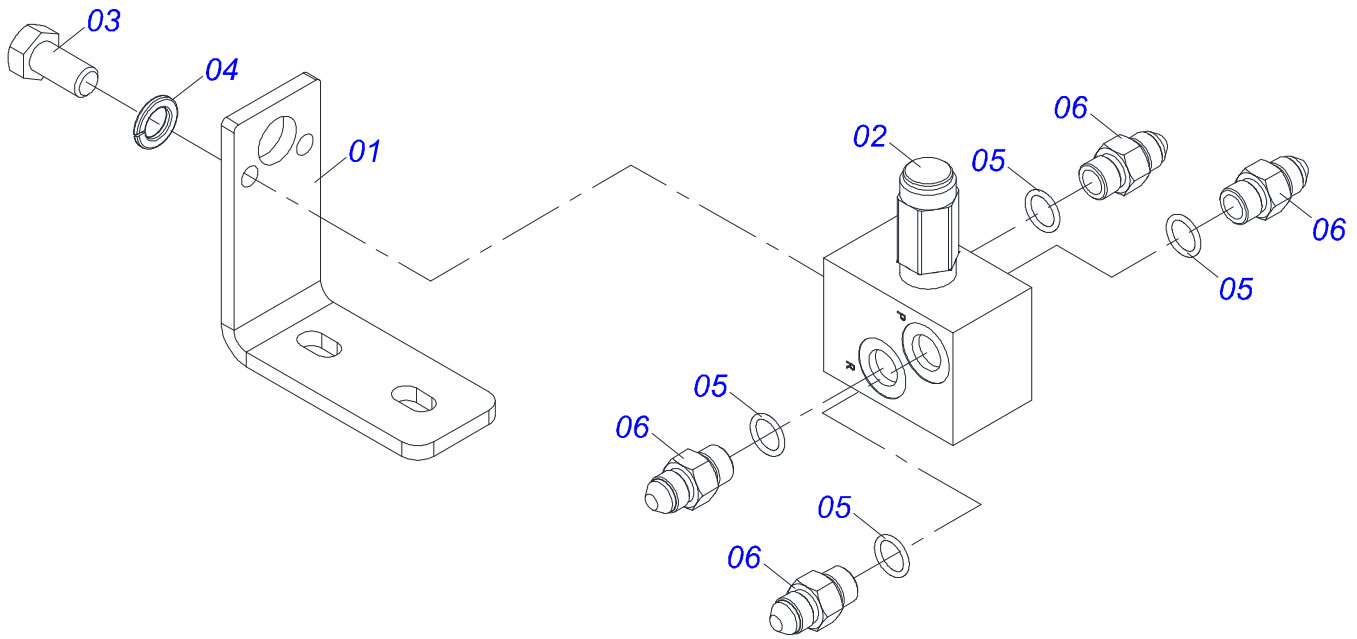
Item	Code	Description	See page	QT
01	0503014199	TYRE 500/60-22.5 12L T404 1G23329		01
02	0503014187	16.00 WHEEL X 22,5		01
03	0503013999	VALVE		01



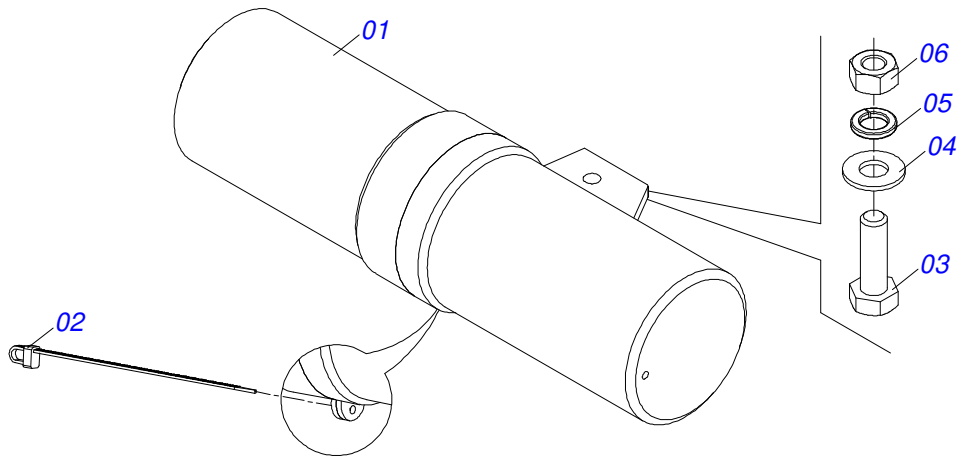
Item	Code	Description	See page	QT
01	0503014199	TYRE 500/60-22.5 12L T404 1G23329		01
02	0503014187	16.00 WHEEL X 22,5		01
03	0503013999	VALVE		01



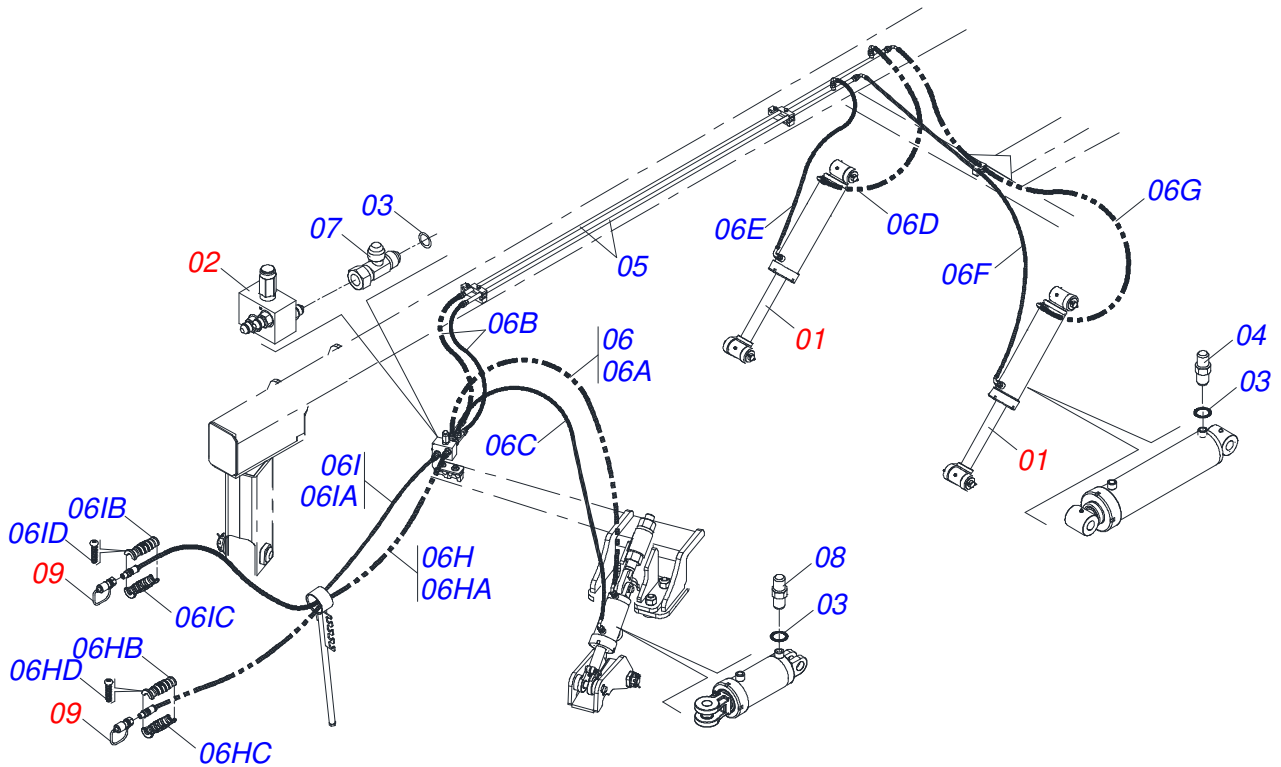
Item	Code	Description	See page	QT
01	0503062227	DRAWBAR JACK		01



Item	Code	Description	See page	QT
01	0581011745	VALVE SUPPORT		01
02	0503010919	DISCHARGE VALVE		01
03	0503011334	BOLT 3/8 UNC X 3/4 CS G.5 ZN		02
04	0503010025	3/8" SPRING WASHER		02
05	0503010190	2-114 N 3006-9B O'RING		04
06	0501010617	3/4" NIPPLE		04



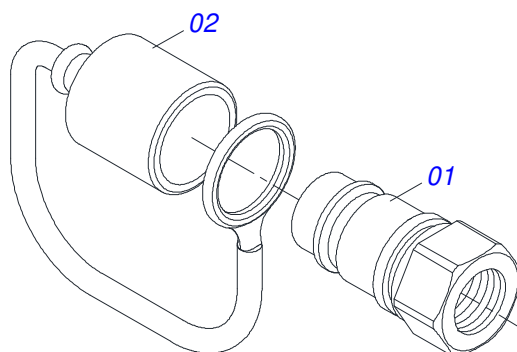
Item	Code	Description	See page	QT
01	0503060100	OPERATOR'S MANUAL STORAGE TUBE		01
02	0503010267	NYLON CLAMP		01
03	0503010363	5/16" X 1" BOLT		01
04	0501010694	FLAT WASHER		01
05	0503010179	LOCK WASHER		01
06	0503010337	5/16" NUT		01



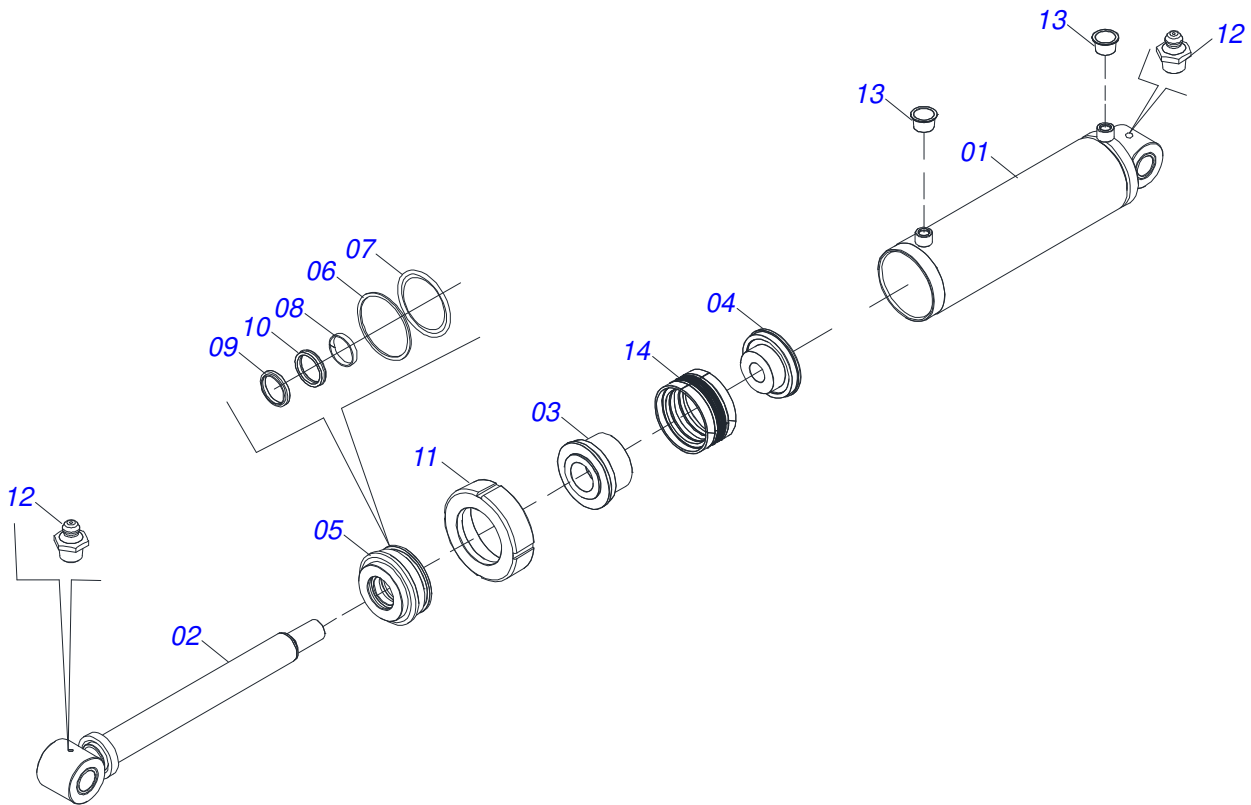
Item	Code	Description	See page	QT
01	0521058003	HIDRAULIC CYLINDER	13	02
02	0511059196	VALVE ASSY	10	01
03	0503010190	2-114 N 3006-9B O'RING		05
04	0501010617	3/4" NIPPLE		04
05	0521066937	DUCT DISTRIBUTOR OF OIL		02
06	0511056382	HOSE ASSY		01
06A	0501080436	3/8 X 1500 TR-TC HOSE		01
06B	0501080150	3/8 X 800 TR-TC HOSE		02
06C	0501080302	TR-TC HOSE ASSY		01
06D	0501080931	3/8" X 39" TC-TC HOSE ASSY		01
06E	0501080065	3/8 X 1200 TC-TC HOSE		01
06F	0501080432	3/8 X 2600 TC-TC HOSE ASSY		01
06G	0501080393	3/8 X 2200 TC-TC HOSE		01
06H	0531055151	3/8 X 6000 TR-TM HOSE BLACK / RED		01
06HA	0501082444	3/8 X 6000 TR-TM HOSE		01
06HB	0503034492	HYDRAULIC HOSE GRIP (BLACK)		01
06HC	0503034495	HYDRAULIC HOSE GRIP (RED)		01
06HD	0503018952	PLASTIC BOLT		06
06I	0531055152	3/8 X 6000 TC-TM HOSE (BLACK / BLUE)		01
06IA	0501082444	3/8 X 6000 TR-TM HOSE		01
06IB	0503034492	HYDRAULIC HOSE GRIP (BLACK)		01
06IC	0503034494	HYDRAULIC HOSE GRIP (BLUE)		01
06ID	0503018952	PLASTIC BOLT		06
07	0503011968	3/4" 8R6X-S T ADAPTER WITH SWIVEL NUT		02
08	0561014252	3/4 UNF X 44 NIPPLE WITH REDUCTION		02
09	0501053834	MALE QUICK COUPLER	13	02

MALE QUICK COUPLER

0501053834



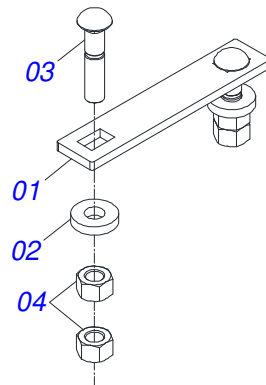
Item	Code	Description	See page	QT
01	0503011627	MALE QUICK COUPLER AGR 1/2 NPT		01
02	0503011882	MALE QUICK COUPLER CAP		01



Item	Code	Description	See page	QT
01	0531060846	CYLINDER CASE		01
02	0531060845	TURNBUCKLE		01
03	0561016583	PISTON BODY		01
04	0502012645	PISTON BODY		01
05	0502012646	RING SUPPORT		01
06	0503011062	8-425 BACK-UP RING		01
07	0503010351	2-425 N 3006-9B O'RING		01
08	0503015641	WEAR RING		01
09	0503015642	U-CUP SEALING		01
10	0503015715	SCRAPER SEALING		01
11	0502010382	5" END CAP		01
12	0503010002	1800 GREASE FITTING		02
13	0503030384	CON PLUG N-001		02
14	0503015643	SEAL		01

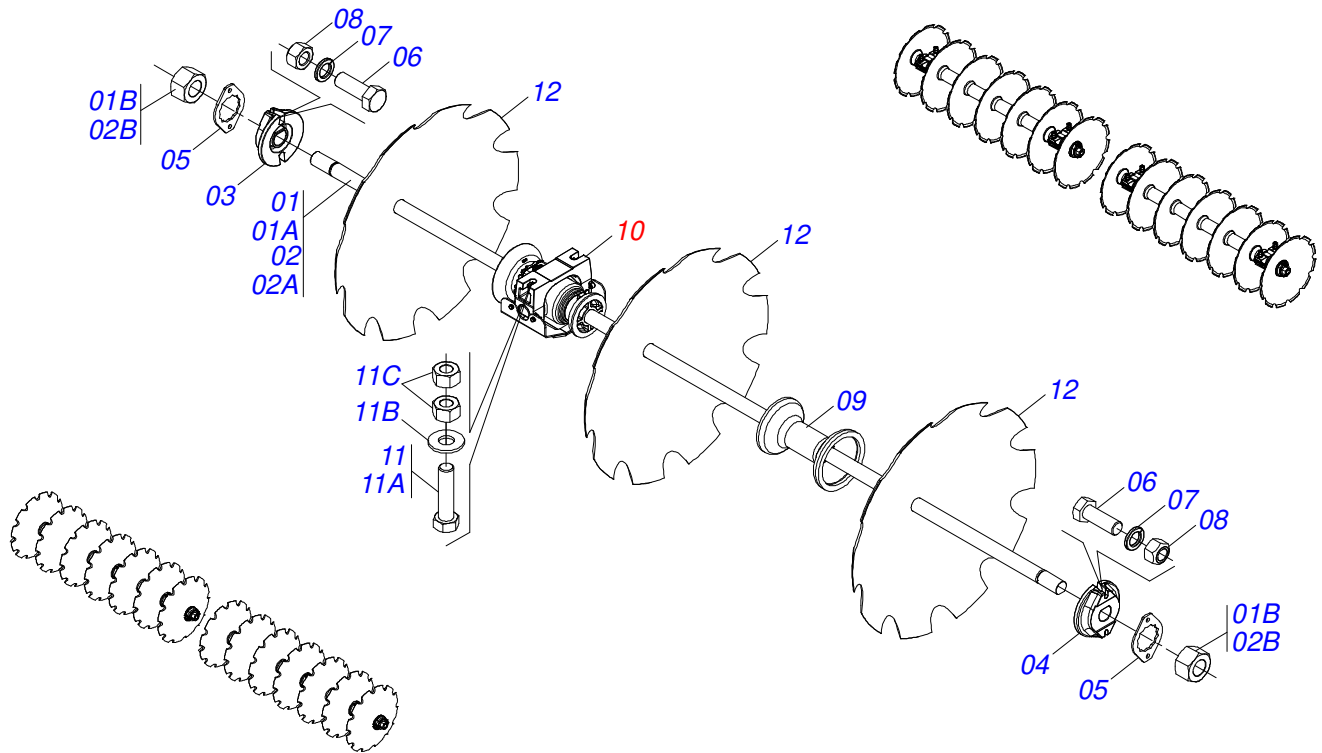
FIXING ASSEMBLY

0531040021

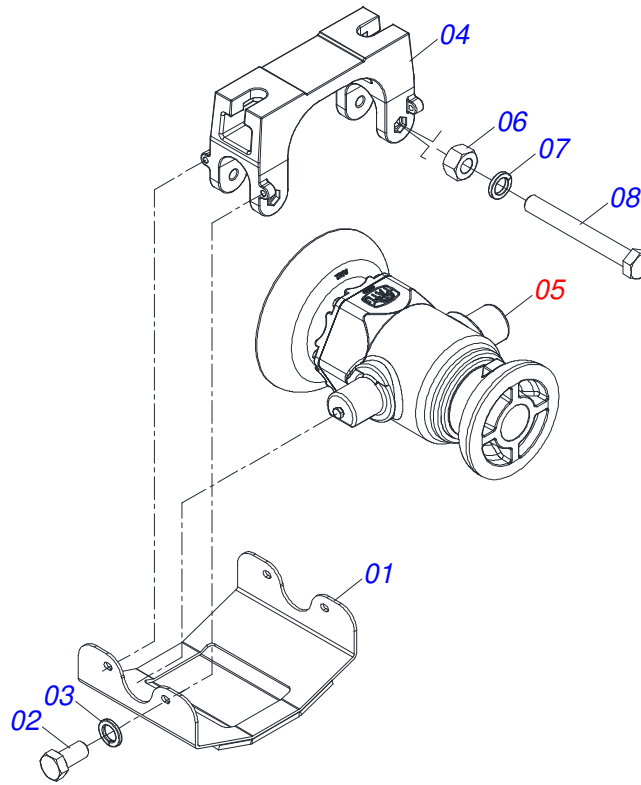


Item	Code	Description	See page	QT
01	0591013569	SQUARE WASHER		01
02	0571010448	32,50 X 75 X 16 SLEEVE		02
03	0501010954	1-1/4" X 5-3/4" BOLT		02
04	0501010087	1.1/4" NUT		04

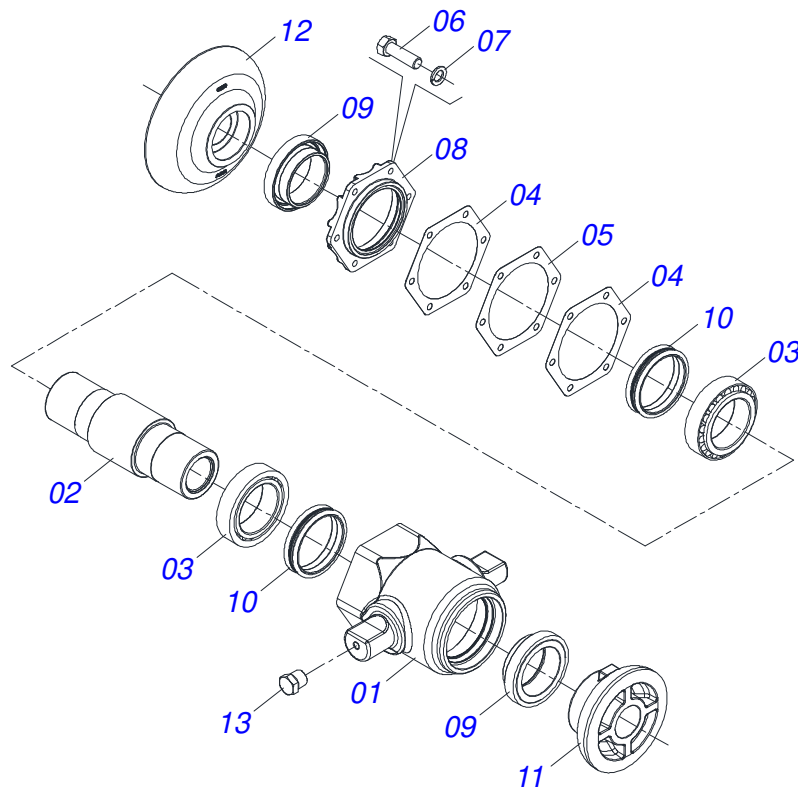
DISC GANG SECTION



Item	Code	Description	See page	26	28	30
01	0511047976	2.3/4 X 1810 AXLE WITH NUTS		04	02	00
01A	0501212475	2.3/4 X 1810 AXLE		04	02	00
01B	0501212474	2.3/4 X 70 NUT		08	04	00
02	0511047977	2.3/4 X 2315 AXLE WITH NUTS		02	04	06
02A	0501212476	2.3/4 X 2315 AXLE		02	04	06
02B	0501212474	2.3/4 X 70 NUT		04	08	12
03	0502012985	2.3/4 AXLE EXTERNAL LOCK		06	06	06
04	0502012986	2.3/4 AXLE INTERNAL LOCK		06	06	06
05	0541010368	NUT LOCK		12	12	12
06	0503010232	5/8" X 1.3/4" BOLT		24	24	24
07	0501012140	FLAT WASHER		24	24	24
08	0503012412	5/8 UNC SELF LOCKING NUT		24	24	24
09	0591016732	495 X 2.1/2 - 2.3/4 SPACER		08	08	12
10	0531041560	504 X 2.3/4 OIL BATH BEARING WITH SUPPORT	16	12	12	12
11	0531040741	ASSY 1.1/4 UNC X 5 BOLT		24	24	24
11A	0503011347	1.1/4" X 5" BOLT		24	24	24
11B	0571010448	32,50 X 75 X 16 SLEEVE		24	24	24
11C	0501010087	1.1/4" NUT		48	48	48
12	0602048111	36 X 12 MM NOTCHED DISC		26	28	30
12.	0602050017	38 X 12 MM NOTCHED DISC		26	28	30
12..	0602051019	40 X 12 MM NOTCHED DISC		26	28	30
12...	0602052031	42 X 12 MM NOTCHED DISC		26	28	30



Item	Code	Description	See page	QT
01	0531062887	PROTECTION CAP		01
02	0503010834	1/2 X 1 BOLT		04
03	0503010019	1/2" SPRING WASHER		04
04	0502013003	2.3/4 BEARING SUPPORT		01
05	0531041559	504 X 2.3/4 OIL BATH BEARING	17	01
06	0503010014	3/4" NUT		02
07	0503011442	3/4" SPRING WASHER		02
08	0503011198	C3/4" X 6" SCREW		02



Item	Code	Description	See page	QT
01	0502013004	2.1/2 - 2.3/4 HOUSING BEARING		01
02	0502040906	2.1/2 - 2.3/4 BEARING AXLE		01
03	0503019996	33022 ROLLER BEARING		02
04	0503035373	170,50 X 0,40 JOINT		02
05	0503035372	170,50 X 0,20 JOINT		01
06	0503010920	1/2" X 1.1/2" BOLT		06
07	0503011440	SPRING WASHER		06
08	0502012982	HOUSING CAP		01
09	0502012984	SEAL RETAINER		02
10	0503035371	RETAINER		02
11	0502012980	BEARING INNER FLANGE		01
12	0502012983	BEARING OUTER FLANGE		01
13	0503010856	OIL PLUG		02
14	3402301275	TATU OIL		1,2 LT



civemasa

Technical Publications | Elaboration and Revision

LUIZ CANDIDO

www.civemasa.com.br

