

**DISK HARROWS**

**GDC 48/52/56/60/64/68/72/76/80/84D - PA -  
AXLE 1.1/2"**

**Code:** 0501093268

**Series:** S-0222

**Revision:** 00

**Revision Date:** MAIO/2022

**PARTS  
CATALOGUE**

***CIVEMASA***

# PRODUCTS

Code	Description
0120720179	GDC 48 X 20 X 3,50 MT DMO PA E 1.1/2 S-0222
0120720180	GDC 48 X 20 X 4,50 MT DMO PA E 1.1/2 S-0222
0120720181	GDC 48 X 22 X 3,50 MT DMO PA E 1.1/2 S-0222
0120720182	GDC 48 X 22 X 4,50 MT DMO PA E 1.1/2 S-0222
0120720183	GDC 48 X 24 X 4,50 MT DMO PA E 1.1/2 S-0222
0120720174	GDC 52 X 20 X 3,50 MT DMO PA E 1.1/2 S-0222
0120720175	GDC 52 X 20 X 4,50 MT DMO PA E 1.1/2 S-0222
0120720176	GDC 52 X 22 X 3,50 MT DMO PA E 1.1/2 S-0222
0120720177	GDC 52 X 22 X 4,50 MT DMO PA E 1.1/2 S-0222
0120720178	GDC 52 X 24 X 4,50 MT DMO PA E 1.1/2 S-0222
0120720169	GDC 56 X 20 X 3,50 MT DMO PA E 1.1/2 S-0222
0120720170	GDC 56 X 20 X 4,50 MT DMO PA E 1.1/2 S-0222
0120720171	GDC 56 X 22 X 3,50 MT DMO PA E 1.1/2 S-0222
0120720172	GDC 56 X 22 X 4,50 MT DMO PA E 1.1/2 S-0222
0120720173	GDC 56 X 24 X 4,50 MT DMO PA E 1.1/2 S-0222
0120720164	GDC 60 X 20 X 3,50 MT DMO PA E 1.1/2 S-0222
0120720165	GDC 60 X 20 X 4,50 MT DMO PA E 1.1/2 S-0222
0120720166	GDC 60 X 22 X 3,50 MT DMO PA E 1.1/2 S-0222
0120720163	GDC 60 X 22 X 4,50 MT DMO PA E 1.1/2 S-0222
0120720168	GDC 60 X 24 X 4,50 MT DMO PA E 1.1/2 S-0222
0120720158	GDC 64 X 20 X 3,50 MT DMO PA E 1.1/2 S-0222
0120720159	GDC 64 X 20 X 4,50 MT DMO PA E 1.1/2 S-0222
0120720160	GDC 64 X 22 X 3,50 MT DMO PA E 1.1/2 S-0222
0120720157	GDC 64 X 22 X 4,50 DR DMO PA E 1.1/2 S-0222
0120720161	GDC 64 X 22 X 4,50 MT DMO PA E 1.1/2 S-0222
0120720162	GDC 64 X 24 X 4,50 MT DMO PA E 1.1/2 S-0222
0120720152	GDC 68 X 20 X 3,50 MT DMO PA E 1.1/2 S-0222
0120720153	GDC 68 X 20 X 4,50 MT DMO PA E 1.1/2 S-0222
0120720154	GDC 68 X 22 X 3,50 MT DMO PA E 1.1/2 S-0222
0120720155	GDC 68 X 22 X 4,50 MT DMO PA E 1.1/2 S-0222

## ATTENTION: IMPORTANT

CIVEMASA reserves the right to improve and/or modify the technical features of its products, without obligation to do the same with those products already sold and without prior knowledge of the dealer or the consumer. The photos are only illustrative.



# PRODUCTS

0120720156	GDC 68 X 24 X 4,50 MT DMO PA E 1.1/2 S-0222
0120720147	GDC 72 X 20 X 3,50 MT DMO PA E 1.1/2 S-0222
0120720148	GDC 72 X 20 X 4,50 MT DMO PA E 1.1/2 S-0222
0120720149	GDC 72 X 22 X 3,50 MT DMO PA E 1.1/2 S-0222
0120720150	GDC 72 X 22 X 4,50 MT DMO PA E 1.1/2 S-0222
0120720151	GDC 72 X 24 X 4,50 MT DMO PA E 1.1/2 S-0222
0120720142	GDC 76 X 20 X 3,50 MT DMO PA E 1.1/2 S-0222
0120720143	GDC 76 X 20 X 4,50 MT DMO PA E 1.1/2 S-0222
0120720144	GDC 76 X 22 X 3,50 MT DMO PA E 1.1/2 S-0222
0120720145	GDC 76 X 22 X 4,50 MT DMO PA E 1.1/2 S-0222
0120720146	GDC 76 X 24 X 4,50 MT DMO PA E 1.1/2 S-0222
0120720137	GDC 80 X 20 X 3,50 MT DMO PA E 1.1/2 S-0222
0120720138	GDC 80 X 20 X 4,50 MT DMO PA E 1.1/2 S-0222
0120720139	GDC 80 X 22 X 3,50 MT DMO PA E 1.1/2 S-0222
0120720140	GDC 80 X 22 X 4,50 MT DMO PA E 1.1/2 S-0222
0120720141	GDC 80 X 24 X 4,50 MT DMO PA E 1.1/2 S-0222
0120720132	GDC 84 X 20 X 3,50 MT DMO PA E 1.1/2 S-0222
0120720133	GDC 84 X 20 X 4,50 MT DMO PA E 1.1/2 S-0222
0120720134	GDC 84 X 22 X 3,50 MT DMO PA E 1.1/2 S-0222
0120720135	GDC 84 X 22 X 4,50 MT DMO PA E 1.1/2 S-0222
0120720136	GDC 84 X 24 X 4,50 MT DMO PA E 1.1/2 S-0222

## ATTENTION: IMPORTANT

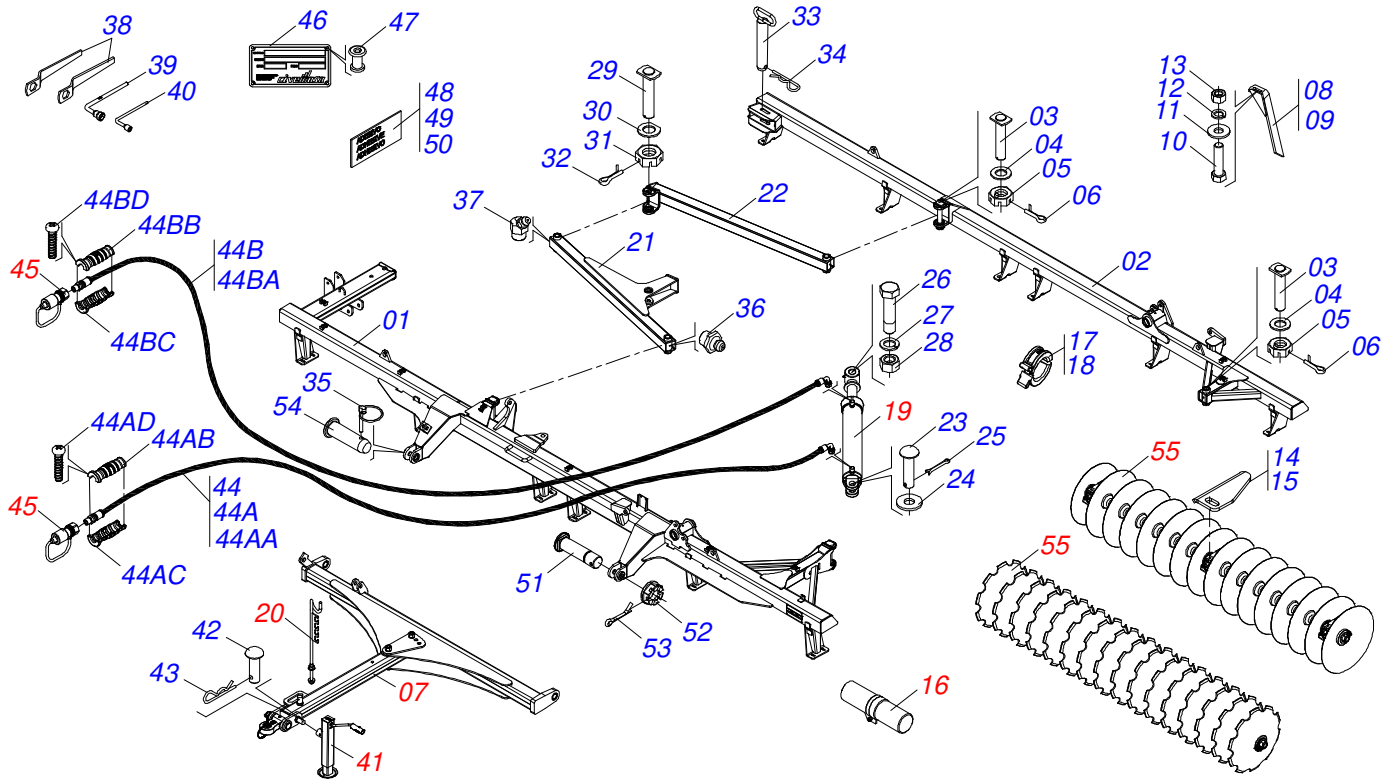
CIVEMASA reserves the right to improve and/or modify the technical features of its products, without obligation to do the same with those products already sold and without prior knowledge of the dealer or the consumer. The photos are only illustrative.

# INDEX

0909096221	FRAME ASSY	.....	1
0511058461	HYDRAULIC CYLINDER	.....	2
0521049348	ASSY HEADER	.....	3
0531040066	FULL HEADER	.....	4
0521042319	ASSY HEADER	.....	5
0521048502	ASSY TRACTION BAR	.....	6
0521057520	HITCH ASSY	.....	7
0503062157	HEADER JACK	.....	8
0501053834	MALE QUICK COUPLER	.....	9
0531053888	MANUAL DOOR SET	.....	10
0501040257	3/4 X 1200 HOSE HOLDER A	.....	11
0909096309	COMPLETE DISC SECTION	.....	12
0521047187	BEARING	.....	13
0521050840	SWIVEL OIL BATH BEARING 192,5 X 1.1/2	.....	14

**FRAME ASSY**

0909096221



Item	Code	Description	See page	048	052	056	060	064	068	072	076	080	084
01	0531062016	FRONT FRAME		001	000	000	000	000	000	000	000	000	000
01.	0531062032	FRONT FRAME		000	001	000	000	000	000	000	000	000	000
01..	0531063407	FRONT FRAME		000	000	001	000	000	000	000	000	000	000
01...	0531062493	FRONT FRAME		000	000	000	001	000	000	000	000	000	000
01....	0531063366	FRONT FRAME		000	000	000	000	001	000	000	000	000	000
01.....	0531063370	FRONT FRAME		000	000	000	000	000	001	000	000	000	000
01.....	0531063374	FRONT FRAME		000	000	000	000	000	000	001	000	000	000
01.....	0531063378	FRONT FRAME		000	000	000	000	000	000	000	001	000	000
01.....	0531063382	FRONT FRAME		000	000	000	000	000	000	000	000	001	000
01.....	0531063386	FRONT FRAME		000	000	000	000	000	000	000	000	000	001
02	0531062022	REAR FRAME		001	000	000	000	000	000	000	000	000	000
02.	0531062488	REAR FRAME		000	001	000	000	000	000	000	000	000	000
02..	0531062491	REAR FRAME		000	000	001	000	000	000	000	000	000	000
02...	0531063363	REAR FRAME		000	000	000	001	000	000	000	000	000	000
02....	0531063368	REAR FRAME		000	000	000	000	001	000	000	000	000	000
02.....	0531063372	REAR FRAME		000	000	000	000	000	001	000	000	000	000
02.....	0531063376	REAR FRAME		000	000	000	000	000	000	001	000	000	000
02.....	0531063380	REAR FRAME		000	000	000	000	000	000	000	001	000	000
02.....	0531063384	REAR FRAME		000	000	000	000	000	000	000	000	001	000
02.....	0531063388	REAR FRAME		000	000	000	000	000	000	000	000	000	001
03	0531019497	1.5" X 9.2" ARTICULATED AXIS		003	003	003	003	003	003	003	003	003	003
04	0531019540	FLAT WASHER		003	003	003	003	003	003	003	003	003	003
05	0501011301	1.1/2 UNC 6FPP 2.5/16 NUT		003	003	003	003	003	003	003	003	003	003
06	0503010010	1/4" X 2.1/2" COTTERPIN		003	003	003	003	003	003	003	003	003	003
07	0521049348	ASSY HEADER	3	001	000	000	000	000	000	000	000	000	000
07.	0531040066	FULL HEADER	4	000	001	001	001	000	000	000	000	000	000
07..	0521042319	ASSY HEADER	5	000	000	000	000	001	001	001	001	001	001
08	0501063963	FRONT SCRAPER		017	019	021	023	026	028	030	032	032	032
09	0501063962	REAR SCRAPER		017	019	021	023	026	028	030	032	032	032
10	0503011082	C1/2" X 1.3/4" SCREW		068	076	084	092	104	112	120	128	128	128
11	0511017302	FLAT WASHER		068	076	084	092	104	112	120	128	128	128

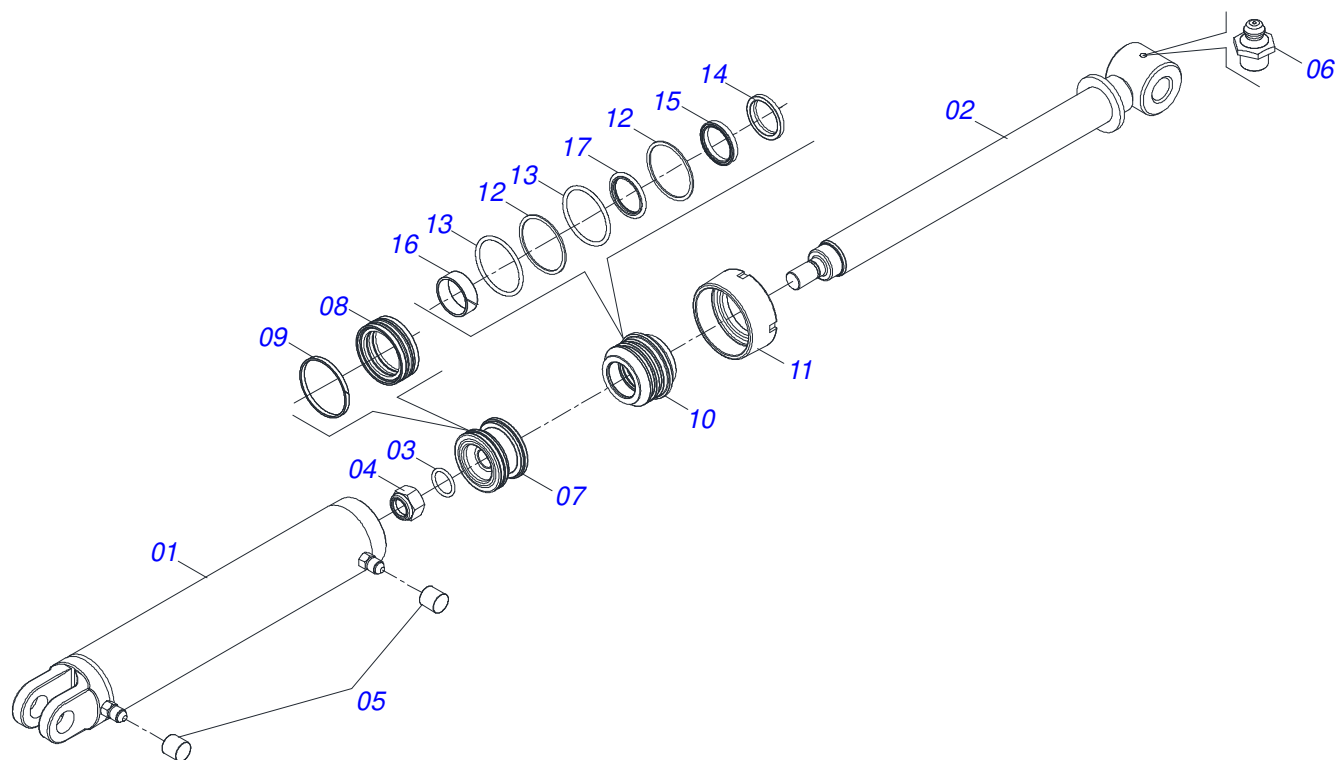


**FRAME ASSY**

0909096221

<b>Item</b>	<b>Code</b>	<b>Description</b>	<b>See page</b>	<b>048 052 056 060 064 068 072 076 080 084</b>
50..	0503031739	ADHESIVE LABEL		001 001 001 001 001 001 001 001 001 001
51	0551013708	COUPLING SHAFT		002 002 002 002 002 002 002 002 002 002
52	0501011301	1.1/2 UNC 6FPP 2.5/16 NUT		002 002 002 002 002 002 002 002 002 002
53	0503010010	1/4" X 2.1/2" COTTERPIN		002 002 002 002 002 002 002 002 002 002
54	0501019002	JUNCTION SHAFT		001 001 001 001 001 001 001 001 001 001
55	0909096309	COMPLETE DISC SECTION	12	001 001 001 001 001 001 001 001 001 001

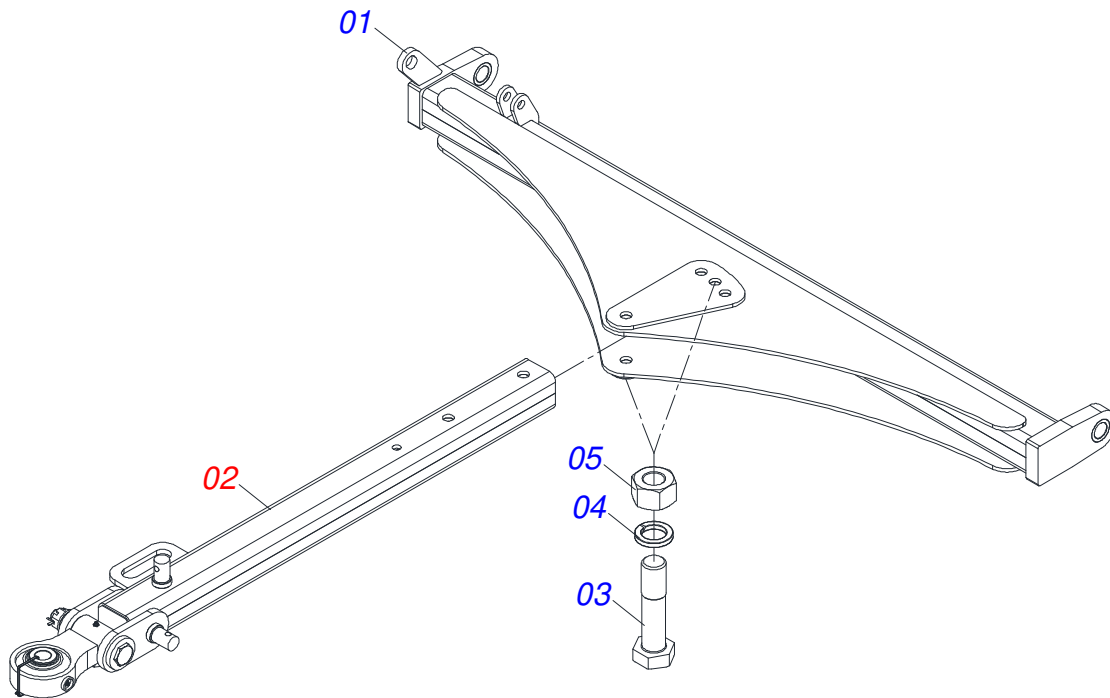
**HYDRAULIC CYLINDER**



Item	Code	Description	See page	QT
01	0521063982	CYLINDER CASE		01
02	0521067533	50,80 X 697 EXTENSOR		01
03	0503010042	2-214 N 3006-9B O'RING		01
04	0503010063	1" SELF-ALIGNING NUT		01
05	0503030385	CYLINDER PLUG N-002		02
06	0503010002	1800 GREASE FITTING		01
07	0571019710	1.7" X 3.4" PISTON		01
08	0503017935	RING		01
09	0503018144	RING		01
10	0581013228	50,80 X 85,72 SUPPORT RINGS		01
11	0581013227	85,72 MOVE COVER		01
12	0503017940	8-337 BACK-UP RING		02
13	0503017939	2-337 N 3006-9B O' RING		02
14	0503010039	D-2000 SCRAPER RING		01
15	0503018026	1870-2000-375 B GASKET		01
16	0503018025	RING GUIDE		01
17	0503018024	RING BS		01

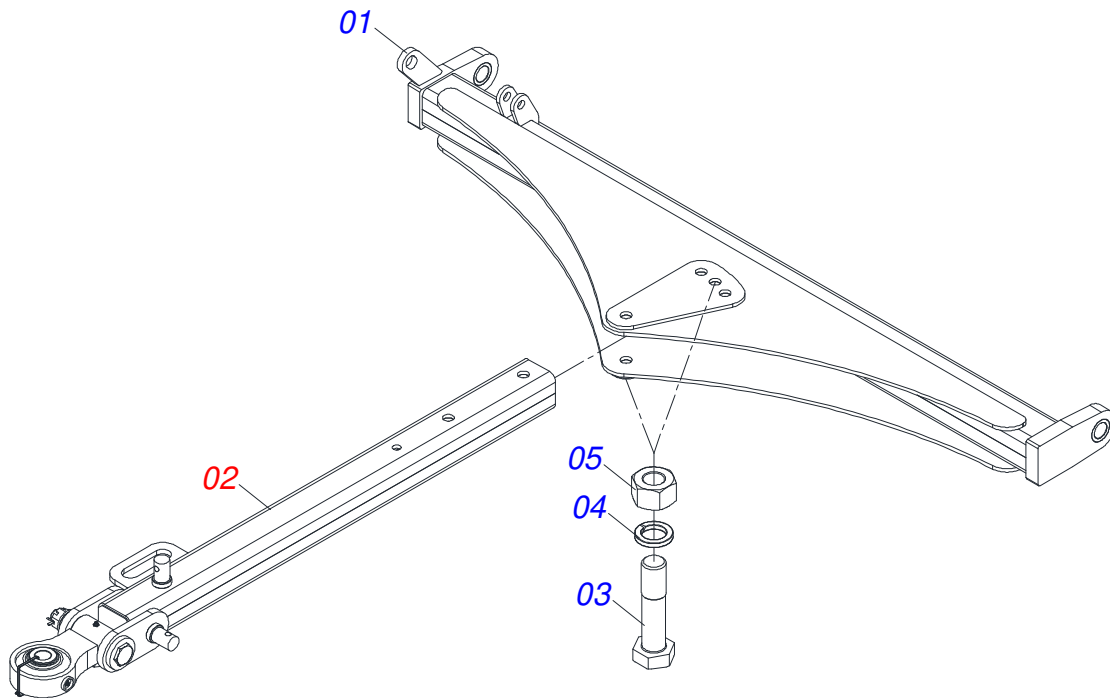


**ASSY HEADER**



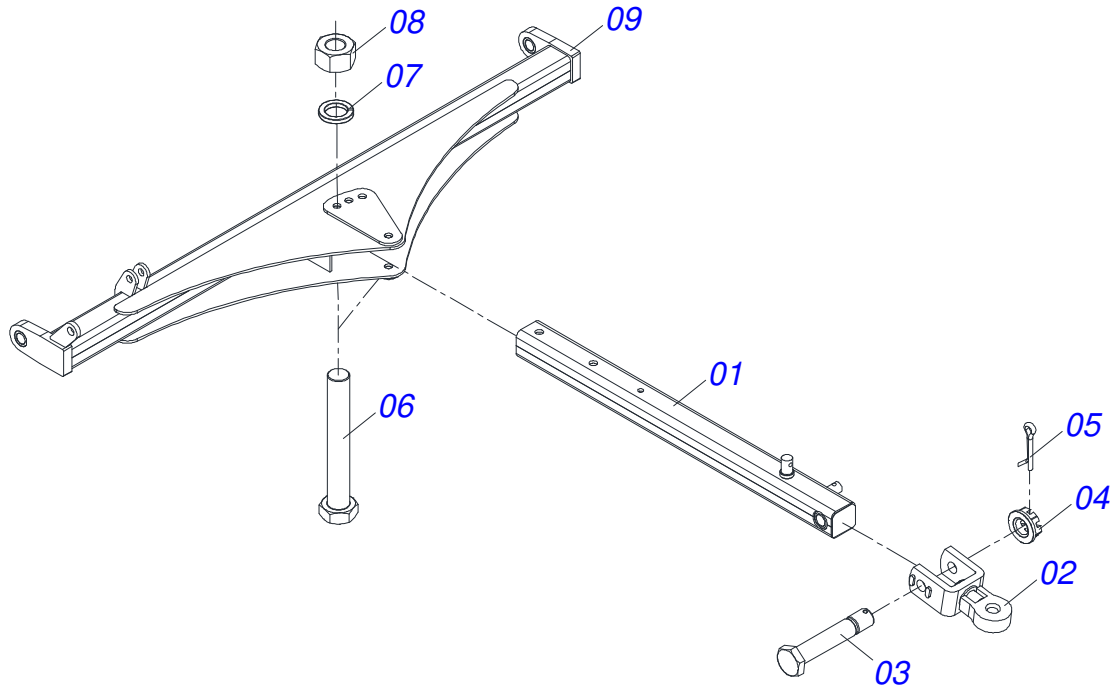
Item	Code	Description	See page	QT
01	0521069308	HITCH BAR (1976)		01
02	0521048502	ASSY TRACTION BAR	6	01
03	0501010334	1" X 7" BOLT		02
04	0503011438	SPRING WASHER		02
05	0501010059	1.5/8 NUT		02

**FULL HEADER**

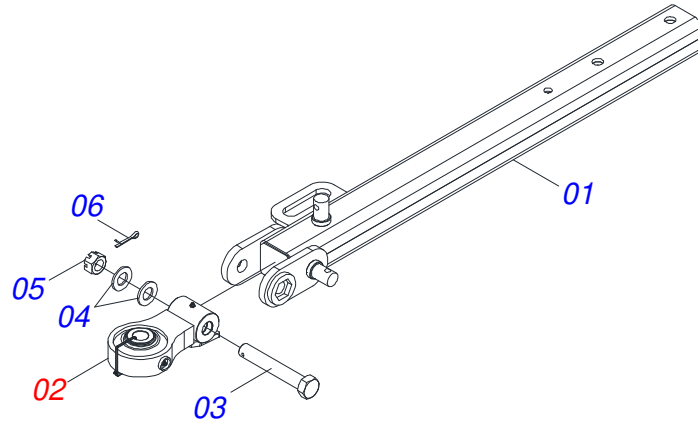


Item	Code	Description	See page	QT
01	0531062335	CONNECTION BAR 2370 X 683.5		01
02	0521048502	ASSY TRACTION BAR	6	01
03	0501010334	1" X 7" BOLT		02
04	0503010012	1" SPRING WASHER		02
05	0501010059	1.5/8 NUT		02

**ASSY HEADER**

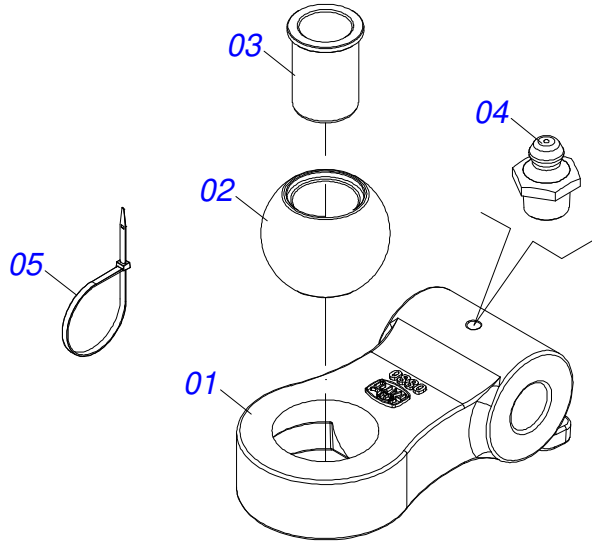


Item	Code	Description	See page	QT
01	0501066715	DRAWBAR ASSY		01
02	0501062869	TRACTOR HITCH		01
03	0501017291	1-1/2" X 8.1" BOLT		01
04	0501011301	1.1/2 UNC 6FPP 2.5/16 NUT		01
05	0503010010	1/4" X 2.1/2" COTTERPIN		01
06	0501010334	1" X 7" BOLT		02
07	0503011438	SPRING WASHER		02
08	0501010059	1.5/8 NUT		02
09	0521064097	OFFSET BAR		01



Item	Code	Description	See page	QT
01	0521069165	DRAWBAR ASSY		01
02	0521057520	HITCH ASSY	7	01
03	0581015973	1.1/4 UNC X 8 C S G5 SCREW		01
04	0501017779	32 X 60 X 4.75 FLAT WASHER		02
05	0503013026	1.1/4" CASTLE NUT		01
06	0503010010	1/4" X 2.1/2" COTTERPIN		01

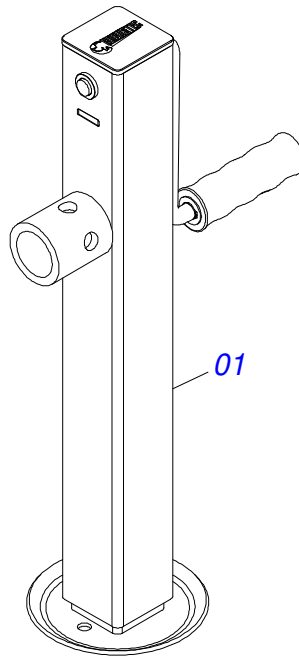
**HITCH ASSY**



Item	Code	Description	See page	QT
01	0502040880	HITCH BODY		01
02	0502040885	BODY ATTACHMENT		01
03	0591012511	SLEEVE		01
04	0503010002	1800 GREASE FITTING		01
05	0503018829	NYLON CLAMP		01

**HEADER JACK**

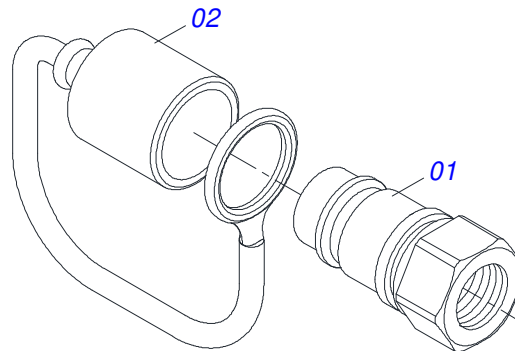
0503062157



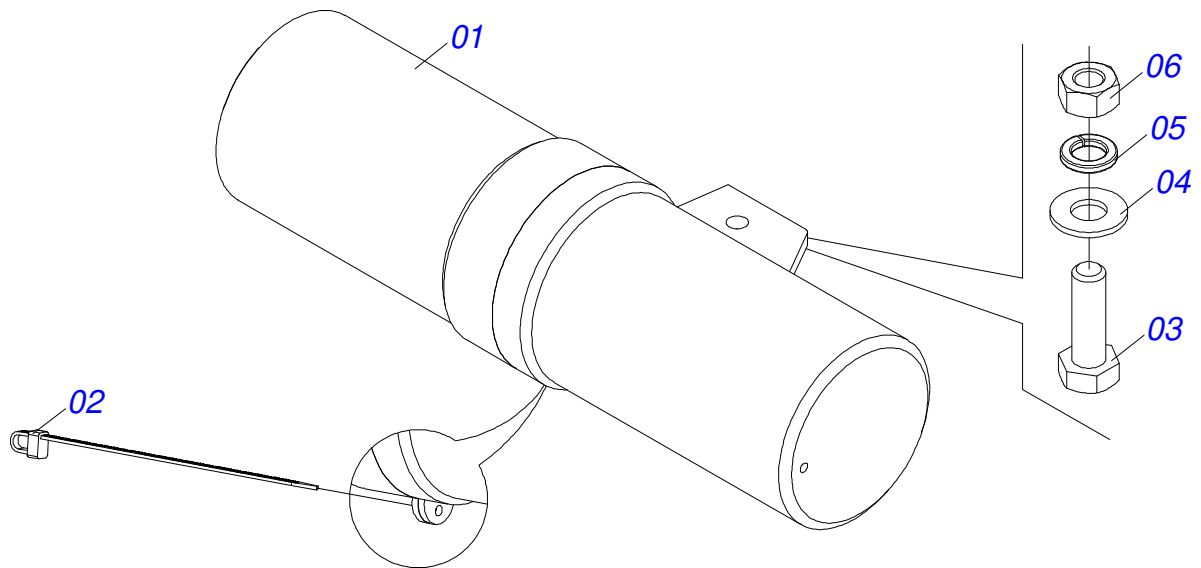
Item	Code	Description	See page	QT
01	0503062157	HEADER JACK	8	01

**MALE QUICK COUPLER**

0501053834

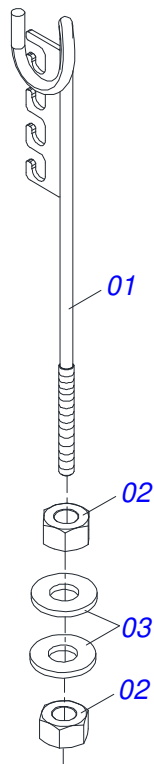


Item	Code	Description	See page	QT
01	0503011627	MALE QUICK COUPLER AGR 1/2 NPT		01
02	0503011882	MALE QUICK COUPLER CAP		01

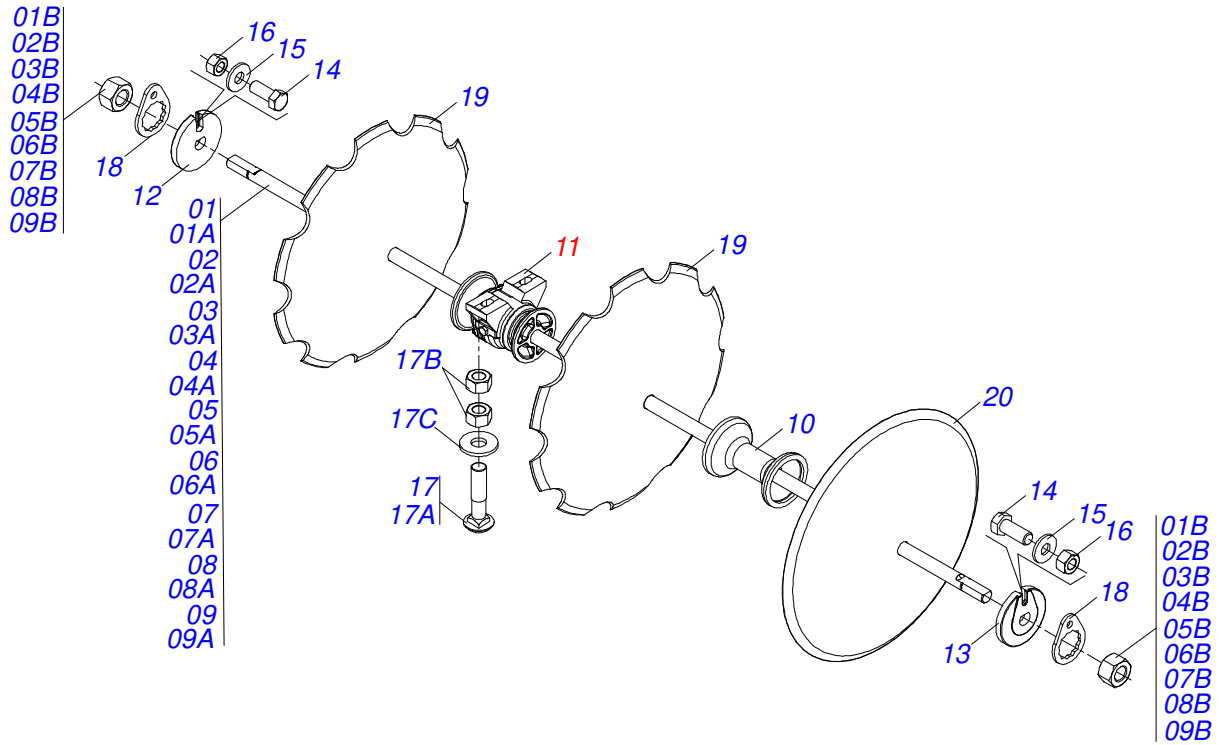


Item	Code	Description	See page	QT
01	0503060100	OPERATOR'S MANUAL STORAGE TUBE		01
02	0503010267	NYLON CLAMP		01
03	0503010363	5/16" X 1" BOLT		01
04	0501010694	FLAT WASHER		01
05	0503010179	LOCK WASHER		01
06	0503010337	5/16" NUT		01





Item	Code	Description	See page	QT
01	0511067334	HOSE SOPPORT ASSY		01
02	0503010014	3/4" NUT		02
03	0501010322	FLAT WASHER		02



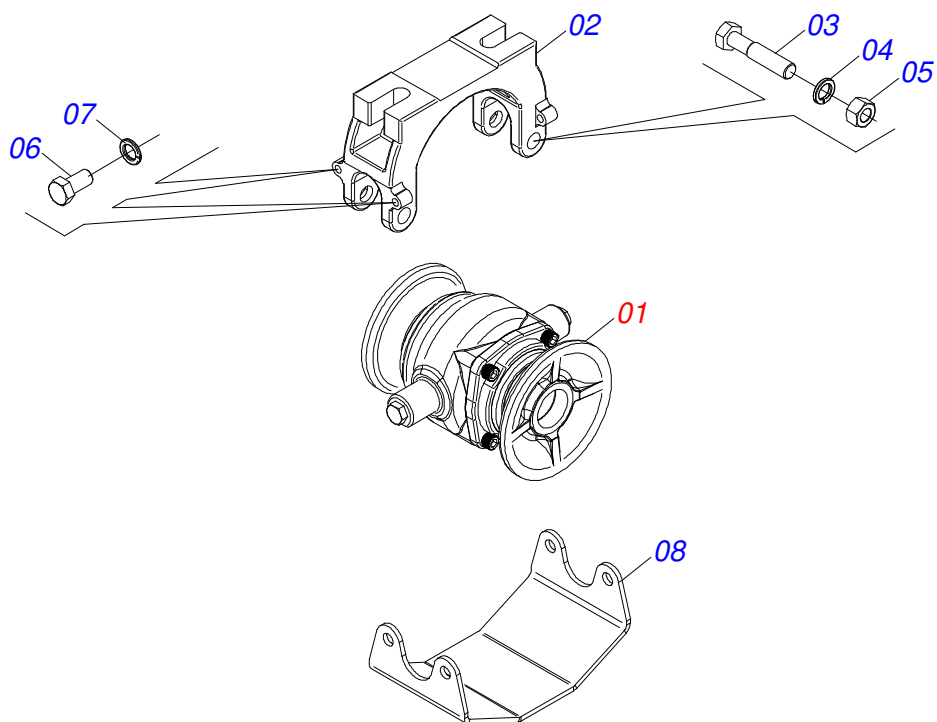
Item	Code	Description	See page	048	052	056	060	064	068	072	076	080	084
01	0531041890	AXLE 1.1/2 6FPP X 2295 WITH NUTS		004	000	000	000	000	000	000	000	000	000
01A	0501212101	AXIS 1.1/2 UNC X 2295		004	000	000	000	000	000	000	000	000	000
01B	0501010110	1.1/2" NUT		008	000	000	000	000	000	000	000	000	000
02	0511054527	AXIS 1.1/2" UNC X 2490 WITH NUTS		000	004	000	000	000	000	000	000	000	000
02A	0531019372	AXIS 1.1/2 6FPP X 2490		000	004	000	000	000	000	000	000	000	000
02B	0501010110	1.1/2" NUT		000	008	000	000	000	000	000	000	000	000
03	0531041891	AXLE 1.1/2 6FPP X 2685 WITH NUTS		000	000	004	000	000	000	000	004	000	006
03A	0501212102	AXIS 1.1/2 UNC X 2685		000	000	004	000	000	000	000	004	000	006
03B	0501010110	1.1/2" NUT		000	000	008	000	000	000	000	008	000	012
04	0501059898	1.1/2 X 2880 AXLE ASSY		000	000	000	004	000	000	000	000	000	000
04A	0501010110	1.1/2" NUT		000	000	000	008	000	000	000	000	000	000
04B	0561016111	1.1/2 X 2880 AXLE		000	000	000	008	000	000	000	000	000	000
05	0531041892	AXLE 1.1/2 6FPP X 3080 WITH NUTS		000	000	000	000	004	000	000	000	005	000
05A	0501212103	AXIS 1.1/2 UNC X 3080		000	000	000	000	004	000	000	000	005	000
05B	0501010110	1.1/2" NUT		000	000	000	000	008	000	000	000	010	000
06	0531041893	AXLE 1.1/2 6FPP X 3275 WITH NUTS		000	000	000	000	000	004	000	000	000	000
06A	0501212104	AXIS 1.1/2 UNC X 3275		000	000	000	000	000	004	000	000	000	000
06B	0501010110	1.1/2" NUT		000	000	000	000	000	008	000	000	000	000
07	0521059183	AXIS 1.1/2 6FPP X 3470 WITH NUT		000	000	000	000	000	000	004	000	000	000
07A	0591015177	AXLE 1.1/2 X 3470		000	000	000	000	000	000	004	000	000	000
07B	0501010110	1.1/2" NUT		000	000	000	000	000	000	008	000	000	000
08	0531041889	AXLE 1.1/2 6FPP Z 1895 WITH NUTS		000	000	000	000	000	000	000	000	002	000
08A	0501212100	AXIS 1.1/2 UNC X 1895		000	000	000	000	000	000	000	000	002	000
08B	0501010110	1.1/2" NUT		000	000	000	000	000	000	000	000	004	000
09	0531041888	1.1/2 AXLE 6FPP X 1505 WITH NUTS		000	000	000	000	000	000	000	000	000	001
09A	0501212099	AXLE 1.1/2" UNC X 1505		000	000	000	000	000	000	000	000	000	001
09B	0501010110	1.1/2" NUT		000	000	000	000	000	000	000	000	000	002
10	0502010627	SPACER		032	036	040	044	048	052	056	054	058	060
11	0521047187	BEARING	13	012	012	012	012	012	012	012	016	016	018
12	0502010872	1-1/2" INNER AXLE WASHER		004	004	004	004	004	004	004	006	006	006
13	0502010871	1-1/2" EXTERNAL AXLE WASHER		004	004	004	004	004	004	004	006	006	006

**COMPLETE DISC SECTION**

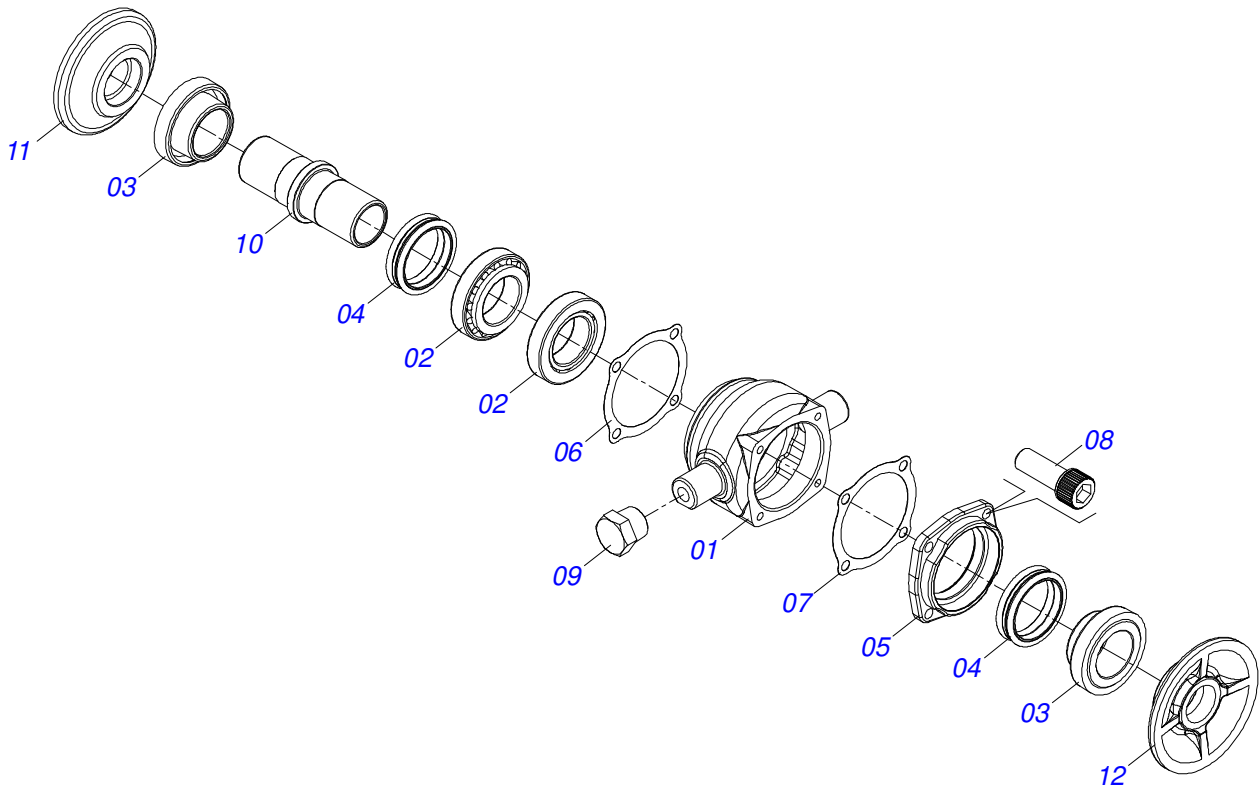
0909096309

Item	Code	Description	See page	048	052	056	060	064	068	072	076	080	084
14	0503011267	BOLT 5/8 UNC X 1.1/2 C S G.5 ZN		008	008	008	008	008	008	012	012	012	
15	0501012140	FLAT WASHER		008	008	008	008	008	008	012	012	012	
16	0503012412	5/8 UNC SELF LOCKING NUT		008	008	008	008	008	008	012	012	012	
17	0521059224	SCREW ASSEMBLY		024	024	024	024	024	024	032	032	036	
17A	0501013233	5/8" X 2-3/4" BOLT		024	024	024	024	024	024	032	032	036	
17B	0503010013	5/8" NUT		024	024	024	024	024	024	032	032	036	
17C	0501012140	FLAT WASHER		024	024	024	024	024	024	032	032	036	
18	0501018592	1.5/8" NUT LOCK		008	008	008	008	008	008	012	012	012	
19	0602027341	DR20X3,5 C57AF02FR1.9/16 10R TATU		024	026	028	030	032	033	035	037	040	042
19.	0602029422	DR22X3,5 C64AF02FR1.9/16 10R TATU		024	026	028	030	032	033	035	037	040	042
19..	0602030446	24" X 4,75 NOTCHED DISC BLADE		024	026	028	030	032	033	035	037	040	042
19...	0602029416	DR22X4,5 C64AF02FR1.9/16 10REC TATU		022	026	028	030	032	033	035	037	040	042
19....	0602027343	DR20X4,5 C57AF02FR1.9/16 10R TATU		022	026	028	030	032	033	035	037	040	042
19.....	0602029408	DR22X3,5 C74AF02FR1.9/16 10R TATU		022	026	028	030	032	033	035	037	040	042
19.....	0602030429	NOTCHED DISC BLADE		022	026	028	030	032	033	035	037	040	042
20	0601027302	DL20X3,5 C57AF02FR1.9/16 TATU		022	026	028	030	032	033	035	037	040	042
20.	0601029419	DL22X3,5 C64AF02FR1.9/16 TATU		022	026	028	030	032	033	035	037	040	042
20..	0601031039	DL24X4,75 C72AF02FR1.9/16 TATU TERR		022	026	028	030	032	033	035	037	040	042
20...	0601025033	DL18X3,5 C45AF02FR1.9/16"		022	026	028	030	032	033	035	037	040	042
20....	0601029413	DL22X4,5 C64AF02FR1.9/16 TATU		022	026	028	030	032	033	035	037	040	042
20.....	0601027299	DL20X4,5 C57AF02FR1.9/16 TATU		022	026	028	030	032	033	035	037	040	042
20.....	0601031134	DL24X4,5 C66AF02FR1.9/16 D006 TT		022	026	028	030	032	033	035	037	040	042
20.....	0601029413	DL22X4,5 C64AF02FR1.9/16 TATU		022	026	028	030	032	033	035	037	040	042
20.....	0601029414	DL22X4,5 C63AF02FR1.9/16 TATU		022	026	028	030	032	033	035	037	040	042
20.....	0601031114	24" X 4,75 PLAIN DISC BLADE		022	026	028	030	032	033	035	037	040	042
20.....	0601029403	DL22X4,5 C64AF02FR1.9/16 TATU		022	026	028	030	032	033	035	037	040	042

**BEARING**



Item	Code	Description	See page	QT
01	0521050840	SWIVEL OIL BATH BEARING 192,5 X 1.1/2	14	01
02	0502012854	BEARING SUPPORT		01
03	0501011541	5/8" X 3" BOLT		02
04	0503010027	5/8" SPRING WASHER		02
05	0503010013	5/8" NUT		02
06	0503011334	BOLT 3/8 UNC X 3/4 CS G.5 ZN		04
07	0503010025	3/8" SPRING WASHER		04
08	0581014143	SWIVEL OIL BATH BEARING WEAR PLATE		01



Item	Code	Description	See page	QT
01	0502012839	BEARING HOUSING		01
02	0503010006	32210 ROLLER BEARING		02
03	0502010541	SEAL RETAINER		02
04	0503030026	SEAL LP JB-253		02
05	0502020424	HOUSING CAP		01
06	0503030013	4.4" X 3.5" X 0.004" JOINT		02
07	0503030684	4.4" X 3.5" X 0.004" JOINT		01
08	0503010134	3/8" X 1" BOLT		04
09	0503010856	OIL PLUG		02
10	0502040061	AXLE		01
11	0502010605	INNER FLANGE		01
12	0502010604	OUTER FLANGE		01
13	3402301247	MINERAL OIL GREASE		0,13Lts





***civemasa***

***Technical Publications | Elaboration and Revision***

LUIZ CANDIDO

[www.civemasa.com.br](http://www.civemasa.com.br)

